

# TOPCOM®

## FIDELITY 1081



**USER GUIDE**  
V 1.0



### **Important**

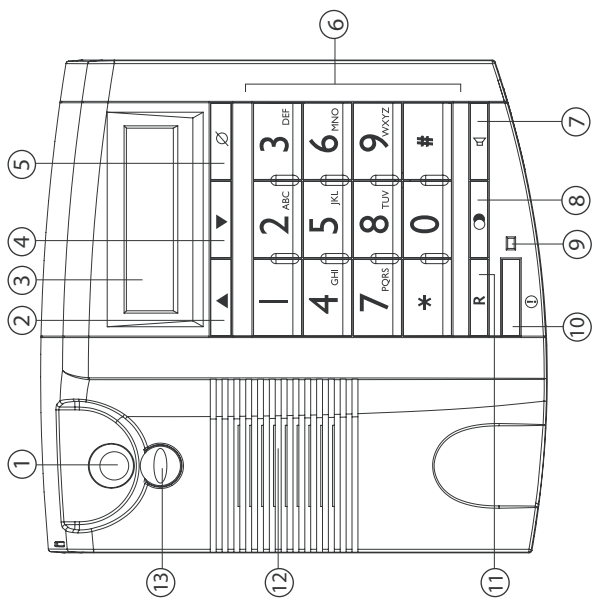
To use 'Caller ID' (display caller), this service has to be activated on your phone line. Normally you need a separate subscription from your telephone company to activate this function. If you don't have the Caller ID function on your phone line, the incoming telephone numbers will NOT be shown on the display of your telephone.

This product is in compliance with the essential requirements and other relevant provisions of the R&TTE directive 1999/5/EC.  
The Declaration of conformity can be found on :

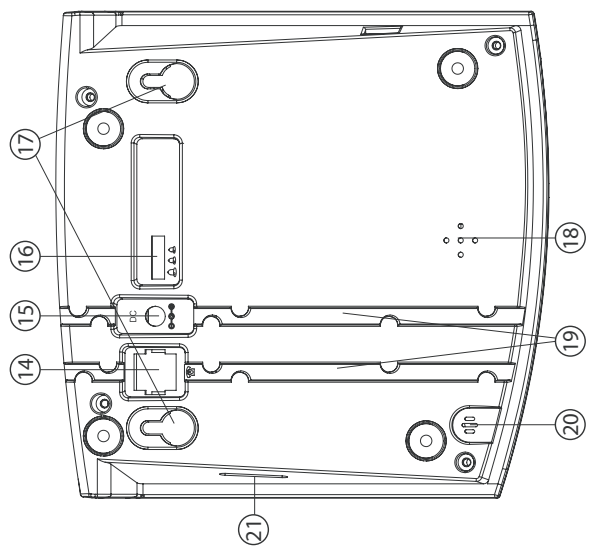
<http://www.topcom.net/support/cedclarations.php>

The features described in this manual are published with reservation to modifications.

1



2



## 1 Before Initial use

Thank you for purchasing this new desktop caller ID telephone.

### 1.1 Intended Purpose

This product is intend to be connected indoor to an analogue PSTN telephone line.

### 1.2 Caller ID

**To use 'Caller ID' (display caller), this service has to be activated on your phone line. Normally you need a separate subscription from your telephone company to activate this function. If you don't have the Caller ID function on your phone line, the incoming telephone numbers will NOT be shown on the display of your telephone.**

### 1.3 Connection

**The CE symbol indicates that the unit complies with the essential requirements of the R&TTE directive.**

This device has been designed and manufactured to comply with the 98/482/EC rule, referent to the Pan European connection of a terminal to the Public Switching Telephone Network (PSTN) and following the established guidelines by the 1999/5/EC Directive about radio electric equipment and the reciprocal acknowledge of their conformity. However, due to the fact that there are some differences in the PSTNs from one country to another, the verifying measurements by themselves do not set up an unconditional guarantee for an optimal working in every connection point to the PSTN of any country. If any problem comes up, get in touch firstly with the distributor.

In any case, use conditions for which the product has been created should be respected as well as avoid its use in public or private networks with technical requirements clearly different to those established in the EU.

## 2 Safety instructions

**Please read carefully through the following information concerning safety and proper use. Make yourself familiar with all the functions of the equipment. Be careful to keep these advice notes and if necessary pass them on to a third party.**

- Do not place the basic unit in a damp room or at a distance of less than 1.5 m away from a water source. Keep water away from the telephone.
- Do not use the telephone in environments where there is a risk of explosions.
- Dispose of the batteries and maintain the telephone in an environment-friendly manner.

## 3 Cleaning

Clean the telephone with a slightly damp cloth or with an anti-static cloth. Never use cleaning agents or abrasive solvents.

## 4 Disposal of the device (environment)



At the end of the product lifecycle, you should not throw this product into the normal household garbage but bring the product to a collection point for the recycling of electrical and electronic equipments. The symbol on the product, user guide and/or box indicate this.

Some of the product materials can be re-used if you bring them to a recycling point. By re-using some parts or raw materials from used products you make an important contribution to the protection of the environment.

Please contact your local authorities in case you need more information on the collection points in your area.

## 5 Buttons

(See picture 1 and 2 on folded cover page)

1. Hook Switch
2. Up button '▲'
3. LCD display
4. Down button '▼'
5. Delete button '⊗'
6. Numerical key pad
7. Hands free button '☎'
8. Redial button '↻'
9. Handsfree LED
10. Emergency button '!
11. Flash button 'R'
12. Hands free speaker
13. Wall mounting hook
14. Line cord connector
15. Power adapter connector
16. Ring volume switch
17. Wall mounting locations
18. Ringer
19. Cable slots
20. Handsfree microphone
21. Handfree volume switch

## 6 Technical Data

Dialling options: DTMF(tone) / PULSE

Flash:100/300/600ms

Power adapter: Input 230VAC 50Hz / Output 6VDC - 400 mA

## 7 Installation


To activate the telephone, it must be connected to the main power.

- Plug one end of the supplied adapter into the electric socket and the other end into the connector on the bottom of the desktop telephone (15).
- Connect one end of the line cord to the telephone line wall socket and the other end to the bottom of the phone (14).

## 8 Telephone settings

### 8.1 Setting the date and time

When you have a subscription to the Caller ID service and your telephone provider sends the date and time together with the telephone number, the phone's clock will be set automatically.

- 3sec ▲ | *StOrE* is displayed.
- ▼ | Select ' *dAtE tImE* '(Date Time)
- ▲ | '01-05 12-26' is displayed.
-  | Enter the day, month and time (4digits) using the numerical keypad.
- ▲ | To confirm.

### 8.2 Flash time

Press **R** to use certain services as 'Call Waiting' (if this service is provided by your telephone company); or to transfer phone calls when you are using a telephone exchange (PABX).

The flash time can be selected (100/300/600ms).

- 3sec ▲ | *StOrE* is displayed.
- ▼ 3sec | Select ' *FLASH tImE* '(Flash time)
- ▲ | To confirm
- ▼ | Select '100', '300' or '600' ms
- ▲ | To confirm

### 8.3 Dial Mode (Tone/Puls)

- 3sec ▲ | *StOrE* is displayed.
- ▼ | Select ' *dIAL mOdE* '(Dial mode)
- ▲ | To confirm
- ▼ | Select 'TONE' or 'PULSE'
- ▲ | To confirm

### 8.4 Ringer volume

The ring volume can be adjusted by means of the Ring Volume switch (16) at the bottom of the phone.

When the display rings, the display will light up.

## 9 Getting started

### 9.1 Making a phone call



Enter the telephone number



Press the delete button briefly to delete a wrongly entered number.



The phone number will be dialled automatically in hands free  
The volume of the handsfree speaker can be changed by the volume switch (21) on the side of the telephone.

OR



Pick up the handset.



Enter the telephone number

The call duration timer is shown on the 2e line of the display [mm:ss].

### 9.2 Deactivating the microphone (mute)

During conversation



You can now talk freely without the caller hearing you.



You can resume your conversation.

### 9.3 Last number redial

To redial the last dialled number.



Pick up the handset.



The last dialled number will be dialled automatically

## 10 Caller ID

### 10.1 General information

When you have a subscription to the Caller ID service, the caller's phone number will appear on the display.

### 10.2 Call list

The Fidelity 1081 can store up to 90 numbers. The display shows the total number and new received calls in stand-by 'CLIP= 00-00'

### 10.2.1 Scrolling through the Call List



To enter the call list.



To scroll through the call list

### 10.2.2 Calling a number from the Call List



To enter the call list.



Scroll through the call list until you have found the desired telephone number.



Pick up the handset. The phone number will be dialled automatically.

### 10.2.3 Erasing numbers from the Call List

a) Erasing one number



To enter the call list.



Scroll through the call list until you have found the desired telephone number.



Press the delete button briefly to delete the selected number. 'Del Call' is displayed



To confirm.

b) Erasing the entire Call List



To enter the call list.



Press and hold the delete button for 3 seconds to delete the entire call list. 'Del All' is displayed



To confirm.



### 10.3 Voice mail

When you have received a voice mail message in your Personal Voice Mail Box, the Voice Mail symbol ☒ appears on the display. As soon as you have listened to the messages in the mail box, the symbol disappears.

**\* Check with your network operator if this is available on your line.**

## 11 Emergency number

You can program 1 Emergency number in the Fidelity 1081.

3sec ▲	<i>S<small>ET</small>-<small>E</small></i> is displayed.
▲	<i>P<small>R</small>-<small>E</small>S<small>S</small></i> is displayed.
!	Press the Emergency button
	Enter the telephone number
	Press the delete button briefly to delete a wrongly entered number.
▲	To confirm
The emergency number can not be deleted, only over written.	

### 11.1 Calling the emergency number



Press the Emergency button. The phone number will be dialled automatically in hands free. The volume of the hands free speaker can be changed by the volume switch (21) on the side of the telephone.

## 12 Wall mounting

Pull out and rotate the wall mounting hook (13). Put it back in position.

Measure and mark the wall mounting locations (17).

Drill holes, fit wall plugs and screw in screws. The cable of the telephone can be fixed in the slot (19) on the backside of the phone depending on the telephone connection position.

Mount the telephone on the screws.

## 13 Warranty

### 13.1 Warranty period

The Topcom units have a 24-month warranty period. The warranty period starts on the day the new unit is purchased. The warranty on batteries is limited to 6 months after purchase. Consumable or defects causing a negligible effect on operation or value of the equipment are not covered.

The warranty has to be proven by presentation of the original purchase receipt, on which the date of purchase and the unit-model are indicated.

### 13.2 Warranty handling

A faulty unit needs to be returned to a Topcom service centre including a valid purchase note. If the unit develops a fault during the warranty period, Topcom or its officially appointed service centre will repair any defects caused by material or manufacturing faults free of charge.

Topcom will at its discretion fulfil its warranty obligations by either repairing or exchanging the faulty units or parts of the faulty units. In case of replacement, colour and model can be different from the original purchased unit.

The initial purchase date shall determine the start of the warranty period. The warranty period is not extended if the unit is exchanged or repaired by Topcom or its appointed service centres.

### 13.3 Warranty exclusions

Damage or defects caused by incorrect treatment or operation and damage resulting from use of non-original parts or accessories not recommended by Topcom are not covered by the warranty. Topcom cordless phones are designed to work with rechargeable batteries only. The damage caused by the use of non-rechargeable batteries is not covered under warranty.

The warranty does not cover damage caused by outside factors, such as lightning, water and fire, nor any damage caused during transportation. No warranty can be claimed if the serial number on the units has been changed, removed or rendered illegible.

Any warranty claims will be invalid if the unit has been repaired, altered or modified by the buyer or by unqualified, non-officially appointed Topcom service centres.

**SERVICE RETURN CARD - RÜCKSENDEKARTE -**  
**CARTE DE RETOUR SERVICE - RETOURFICHE**

RETURN WITH YOUR DEFECT PRODUCT

Name/Vorname/Prénom/Naam:

Surname/Familiename/Nom/Familienaam:

Street/Straße/Rue/Straat:

Nr./N°:

Box/Postfach/Boîte/Postbus:

Location/Ort./Lieu/Plaats:

Post code/Postleitzahl/Code Postal/Postcode:

Country/Land/Pays/Land:

Tel./Tél.:

E-mail:

Model name/Modellbezeichnung/Nom du modèle/Modelnaam:

Serial Nr./Seriennummer/N° série/Seriennummer:

Purchase date/Kaufdatum/Date d'achat/Aankoopdatum:

 -  -  (DD/MM/YYYY) - (TT/MM/JJJJ)

Fault description/Beschreibung des Defekts/Description de la panne/Beschrijving defect:

---

(Original Proof of Purchase has to be attached to this return card to be valid for warranty)

Model name/Modellbezeichnung/Nom du modèle/Modelnaam:

Serial Nr./Seriennummer/N° série/Seriennummer:

Purchase date/Kaufdatum/Date d'achat/Aankoopdatum:

 -  -  (DD/MM/YYYY) - (TT/MM/JJJJ)

Fault description/Beschreibung des Defekts/Description de la panne/Beschrijving defect:

---

# **TOPCOM<sup>®</sup>**

**visit our website**  
**[www.topcom.net](http://www.topcom.net)**

MC600065



## Free Manuals Download Website

<http://myh66.com>

<http://usermanuals.us>

<http://www.somanuals.com>

<http://www.4manuals.cc>

<http://www.manual-lib.com>

<http://www.404manual.com>

<http://www.luxmanual.com>

<http://aubethermostatmanual.com>

Golf course search by state

<http://golfingnear.com>

Email search by domain

<http://emailbydomain.com>

Auto manuals search

<http://auto.somanuals.com>

TV manuals search

<http://tv.somanuals.com>