

TOSHIBA

INSTRUCTION MANUAL

CAMERA HOUSING

JK-H01A

Please read this manual thoroughly before use, and keep it handy for future reference.

Record in space provided below the Model No. and the Seral No. as found on the label on the bottom of this unit.

Model. No. JK-H01A Serial No. _____

Retain this information for future reference.

TABLE OF CONTENTS

Important Safeguards

1. Components	2
2. IK-DP01A Installation procedure	2
3. Box type camera installation procedure	5
4. Switch setting	6
5. Specification	8
6. Part names and Locations	9

IMPORTANT SAFEGUARDS

1. **Read Instructions**
All the safety and operating instructions should be read before the product is operated.
2. **Retain Instructions**
The safety instructions and instruction manual should be retained for future reference.
3. **Heed Warnings**
All warnings on the product and in the instruction manual should be adhered to.
4. **Follow Instructions**
All operating and use instructions should be followed.
5. **Cleaning**
Disconnect this video product from the power supply before cleaning.
6. **Attachments**
Do not use attachments not recommended by the video product manufacturer as they may cause hazards.
7. **Water and Moisture**
Do not use this video product near water-for example, near a bath tub, wash bowl, kitchen sink, or laundry tub, in a wet basement, or near a swimming pool and the like.
8. **Accessories**
Do not place this video product on an unstable cart, stand, tripod, bracket or table. The video product may fall, causing serious injury to a child or adult, and serious damage to the product. Use only with stand, tripod, bracket, or table recommended by the manufacturer, or sold with the video product. Any mounting of the product should follow the manufacturer's instructions, and should use a mounting accessory recommended by the manufacturer.
9. **Ventilation**
This video product should never be placed near or over a radiator or heat register. This video product should not be placed in a built-in installation such as a bookcase or rack unless proper ventilation is provided or the manufacturer's instructions have been adhered to.
10. **Power Sources**
This video product should be operated only from the type of power source indicated on the marking label. If you are not sure of the type of power supply to your location, consult your product dealer.
11. **Power-Cord Protection**
Power-Supply cords should be routed so that they are not likely to be walked on or pinched by items placed upon or against them, paying particular attention to cords at plugs, screws and the point where they exit from the product.
12. **Lightning**
For added protection for this video product during a lightning storm, or when it is left unattended and unused for long periods of time, unplug it from the wall outlet and disconnect the power supply and cable system. This will prevent damage to the video product due to lightning and power-line surges.
13. **Overloading**
Do not overload power supply and extension cords as this can result in a risk of fire or electric shock.
14. **Object and Liquid Entry**
Never push objects of any kind into this video product through openings as they may touch dangerous voltage points or short-out parts that could result in a fire or electrical shock. Never spill liquid of kind on the video product.
15. **Servicing**
Do not attempt to service this video product yourself as opening or removing covers may expose you to dangerous voltage or other hazards. Refer all servicing to qualified service personnel.
16. **Damage Requiring service**
Disconnect this video product from the power supply and refer servicing to qualified service personnel under the following conditions.
 - a. when the power-supply cord or plug is damaged.
 - b. If liquid has been spilled, or objects have fallen into the video product.
 - c. If the video product has been exposed to rain or water.
 - d. If the video product does not operate normally by following the operating instructions in the instruction manual. Adjust only those controls that are covered by the instruction manual as an improper adjustment of other controls may result in damage and will often require extensive work by a qualified technician to restore the video product to its normal operation.
 - e. If the video product has been dropped or the cabinet has been damaged.
 - f. When the video product exhibits a distinct change in performance-this indicates a need for service.
17. **Replacement Parts**
When replacement parts are required, be sure the service technician has used replacement parts specified by the manufacturer with the same characteristics as the original part. Unauthorized substitutions may result in fire, electric shock or other hazards.
18. **Safety Check**
Upon completion of any service or repairs to this video product, ask the service technician to perform safety checks to determine that the video product is in proper operating condition.

This housing is for flat mount of the Toshiba dome camera and the Toshiba CCD camera at an indoor ceiling.

1. Components :

- | | |
|--|-------|
| (1) Top housing | 1 |
| (2) Dome cover (Smoke cover is included) | 1 |
| (3) Box camera mount bracket and bolts | 1 set |
| (4) Video cable | 1 |
| (5) Template | 1 |
| (6) Instruction manual | 1 |

2. IK-DP01A/DP02A Installation procedure :

- (1) Carefully inspect to insure all parts are present and remove all parts from the box.
- (2) A template is included for ease in cutting the mounting hole. First, locate a position in the ceiling for a $9.02 \pm 0.08"$ ($229 \pm 2\text{mm}$) hole to be drilled. Trace around the template, then cut a hole in the ceiling following the trace lines. [Note: The thickness of a ceiling to which this housing can be attached is $0.08\text{-}1.77"$ ($2\text{-}45\text{mm}$).]
- (3) Remove the dome cover. To separate the dome cover from the housing, turn the cover to the left with both hands. This dome cover is connected to the top housing with the wire. Fig-1
- (4) Loosen the lock screw according to ceiling board thickness for attaching to the ceiling.
- (5) The IK-DP01A/DP02A is temporarily attached to the topside of the housing using the screws that were included with the IK-DP01A/DP02A.
- (6) Do not fully tighten the screw.

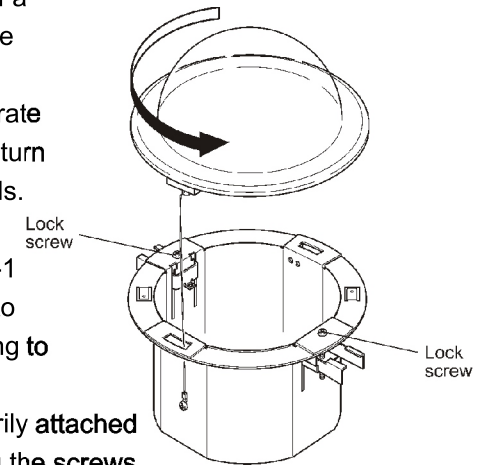


Fig-1

(JK-H01A top housing install)

(7) Two support arms are contained inside and attaches to the ceiling. Fig-2

(8) Put the video cable, power cable, and the communication cable inside the housing from the hole on the topside. Break a hole in the center of the housing and let the cable pass through.

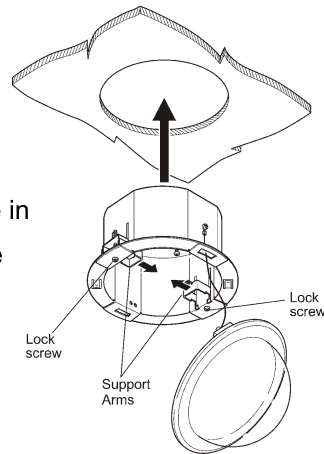


Fig-2

(9) Push out the support arms so that they hold onto the ceiling. Fig-3

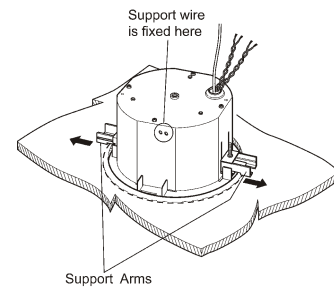


Fig-3

(10) A lock screw is fastened from the bottom and the top housing is fixed to a ceiling. Fig-4

(11) Use a support wire for safety.

(12) The hole that fixes a support wire is on the side. [Note: The support wire is not attached.] Fig-3

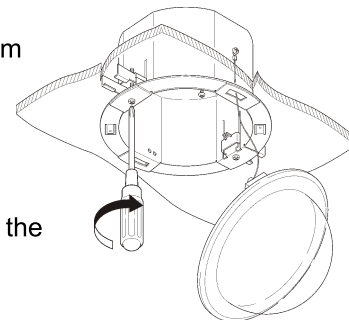


Fig-4

(IK-DP01A/DP02A dome base install)

(13) Attach the video cable (included with the dome accessories) to the video connector of a dome base. [Note: Do not connect a thick coaxial cable to a dome camera. There is a possibility of damaging a connector. Be sure to use the cable included in the dome accessories.]

(14) Communication cables are directly inserted in the terminal of the dome base.

(15) Tighten the screw to fix the dome base to the housing. Fig-5 ① ② ③

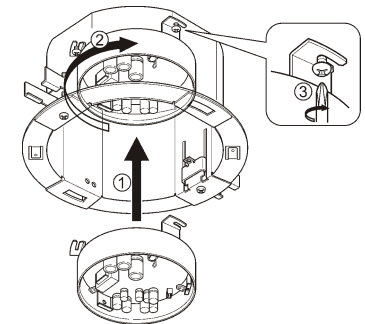


Fig-5

(IK-DP01A/DP02A dome drive install)

(16) After setting up DIP-SW in the top of the dome (See 4.switch setting), connect the support wire to the hook of the dome base. Fig-6 ①

(17) A signal cable is inserted in the connector of a dome base. Fig-6 ②

(18) Be sure the direction of the connector is correct at this time.

(19) To lock the dome drive to the dome base, line up the notch with the label and turn to the right with both hands. Fig-6 ③

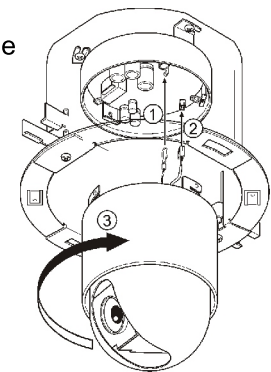


Fig-6

(JK-H01A dome cover install)

(20) To lock the dome cover, insert the support wire and turn to the right with both hands. Fig-7, Fig-8

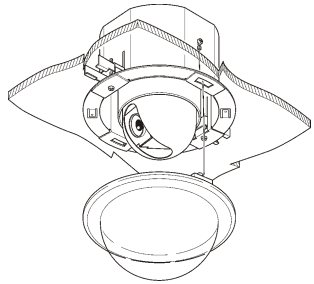


Fig-7

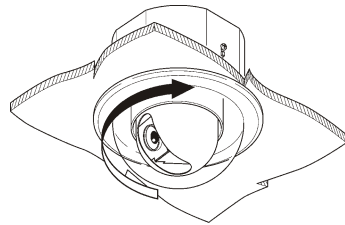


Fig-8

(21) The installation is complete.

3. Box type camera installation procedure :

The work from (1) to (12) is the same except for (5) and (6).

(a) A box type camera mount bracket is fixed in the center of the topside of the housing with a screw.

Fig-9

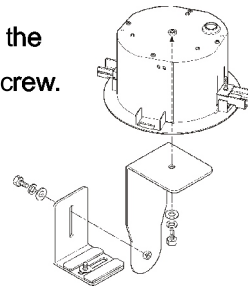


Fig-9

(b) A camera is attached on this bracket and a video cable is connected to it. Fig-10

(c) Use the video cable of accessories also at this time.

(d) Adjust a camera and a lens to the proper angle.

(e) Do (20) work.

(f) The installation is complete

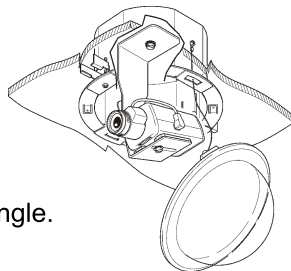


Fig-10

4. Switchsetting for IK-DP01A/DP02A :

There are two switches which must be set up. One is the switch which the top of a dome drive has, and another is the switch which the top of a dome base has.

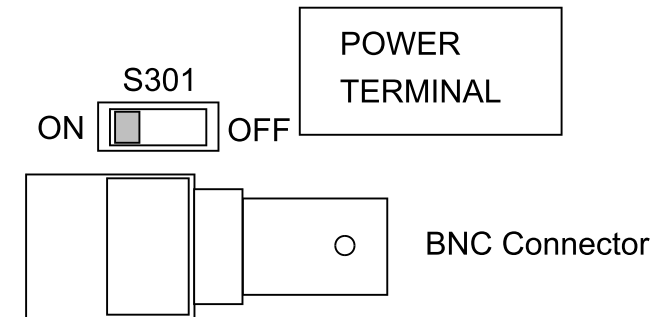
(Dome base switch:S301)

This is RS422 termination switch located near the BNC connector.

In daisy chain operation system, the farthest dome from the controller is turned ON.

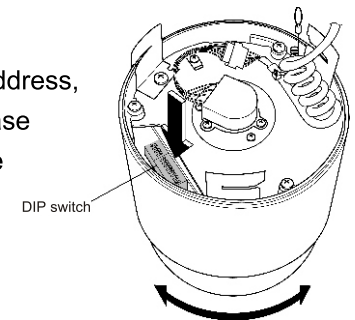
For example, when the controller is connected with three dome cameras in the direct mode, the only furthest dome camera from a controller is turned ON. The other dome camera is turned OFF. (It is OFF at the time of shipment.)

ON and OFF are as in a figure.



(Dome drive switch)

It is necessary to set a particular camera address, protocol, and bit rate for each camera. Please set up the camera address according to the following table.



(1) SW1 : Camera Address

Camera Address	SW1							
	bit1	bit2	bit3	bit4	bit5	bit6	bit7	bit8
1	On	Off	Off	Off	Off	Off	Off	Off
2	Off	On	Off	Off	Off	Off	Off	Off
3	On	On	Off	Off	Off	Off	Off	Off
4	Off	Off	On	Off	Off	Off	Off	Off
5	On	Off	On	Off	Off	Off	Off	Off
6	Off	On	On	Off	Off	Off	Off	Off
7	On	On	On	Off	Off	Off	Off	Off
8	Off	Off	Off	On	Off	Off	Off	Off
9	On	Off	Off	On	Off	Off	Off	Off
10	Off	On	On	On	Off	Off	Off	Off
11	On	On	Off	On	Off	Off	Off	Off
12	Off	Off	On	On	Off	Off	Off	Off
13	On	Off	On	On	Off	Off	Off	Off
14	Off	On	On	On	Off	Off	Off	Off
15	On	On	On	On	Off	Off	Off	Off
16	Off	Off	Off	Off	On	Off	Off	Off
17	On	Off	Off	Off	On	Off	Off	Off
18	Off	On	On	On	On	Off	Off	Off
19	On	On	Off	Off	On	Off	Off	Off
20	Off	Off	On	Off	On	Off	Off	Off
21	On	Off	On	Off	On	Off	Off	Off
22	Off	On	On	On	Off	On	Off	Off
23	On	On	On	Off	On	Off	Off	Off
24	Off	Off	Off	On	On	Off	Off	Off
25	On	Off	Off	On	On	Off	Off	Off
26	Off	On	Off	On	On	Off	Off	Off
27	On	On	Off	On	On	Off	Off	Off
28	Off	Off	On	On	On	Off	Off	Off
29	On	Off	On	On	On	Off	Off	Off
30	Off	On	On	On	On	Off	Off	Off
31	On	On	On	On	On	Off	Off	Off
32	Off	Off	Off	Off	Off	On	Off	Off
33	On	Off	Off	Off	Off	On	Off	Off
34	Off	On	Off	Off	Off	On	Off	Off
35	On	On	Off	Off	Off	On	Off	Off
36	Off	Off	On	Off	Off	On	Off	Off
37	On	Off	On	Off	Off	On	Off	Off
38	Off	On	On	Off	Off	On	Off	Off
39	On	On	On	Off	Off	On	Off	Off
40	Off	Off	Off	On	Off	On	Off	Off
41	On	Off	Off	On	Off	On	Off	Off
42	Off	On	Off	On	Off	On	Off	Off
43	On	On	On	On	Off	On	Off	Off
44	Off	Off	On	On	Off	On	Off	Off
45	On	Off	On	On	Off	On	Off	Off
46	Off	On	On	On	Off	On	Off	Off
47	On	On	On	On	Off	On	Off	Off
48	Off	Off	Off	Off	On	On	Off	Off
49	On	Off	Off	Off	On	On	Off	Off
50	Off	On	Off	Off	On	On	Off	Off
SW Value	1	2	4	8	16	32	64	128

Camera Address	SW1							
	bit1	bit2	bit3	bit4	bit5	bit6	bit7	bit8
51	On	On	Off	Off	On	On	Off	Off
52	Off	Off	On	Off	On	On	Off	Off
53	On	Off	On	Off	On	On	Off	Off
54	Off	On	On	Off	On	On	Off	Off
55	On	On	On	Off	On	On	Off	Off
56	Off	Off	Off	On	On	On	Off	Off
57	On	Off	Off	On	On	On	Off	Off
58	Off	On	Off	On	On	On	Off	Off
59	On	On	Off	On	On	On	Off	Off
60	Off	Off	On	On	On	On	Off	Off
61	On	Off	On	On	On	On	Off	Off
62	Off	On	On	On	On	On	Off	Off
63	On	On	On	On	On	On	Off	Off
64	Off	Off	Off	On	Off	Off	On	Off
65	On	Off	Off	Off	Off	Off	On	Off
66	Off	On	Off	Off	Off	Off	On	Off
67	On	On	Off	Off	Off	Off	On	Off
68	Off	Off	On	Off	Off	Off	On	Off
69	On	Off	On	Off	Off	Off	On	Off
228	Off	Off	On	Off	Off	On	On	On
229	On	Off	On	Off	Off	On	On	On
230	Off	On	On	Off	Off	On	On	On
231	On	On	On	Off	Off	On	On	On
232	Off	Off	Off	On	Off	On	On	On
233	On	Off	Off	On	Off	On	On	On
234	Off	On	Off	On	Off	On	On	On
235	On	On	Off	On	Off	On	On	On
236	Off	Off	On	On	Off	On	On	On
237	On	Off	On	On	Off	On	On	On
238	Off	On	On	On	Off	On	On	On
239	On	On	On	On	Off	On	On	On
240	Off	Off	Off	Off	On	On	On	On
241	On	Off	Off	Off	On	On	On	On
242	Off	On	Off	Off	On	On	On	On
243	On	On	Off	Off	On	On	On	On
244	Off	Off	On	Off	On	On	On	On
245	On	Off	On	Off	On	On	On	On
246	Off	On	On	Off	On	On	On	On
247	On	On	On	Off	On	On	On	On
248	Off	Off	Off	On	On	On	On	On
249	On	Off	Off	On	On	On	On	On
250	Off	On	Off	On	On	On	On	On
251	On	On	Off	On	On	On	On	On
252	Off	Off	On	On	On	On	On	On
253	On	Off	On	On	On	On	On	On
254	Off	On	On	On	On	On	On	On
255	On	On	On	On	On	On	On	On
SW Value	1	2	4	8	16	32	64	128

$$\text{Camera Address} = 1 \times \text{bit1 Status} + 2 \times \text{bit2 Status} + 4 \times \text{bit3 Status} + 8 \times \text{bit4 Status} + 16 \times \text{bit5 Status} + 32 \times \text{bit6 Status} + 64 \times \text{bit7 Status} + 128 \times \text{bit8 Status}$$

*bit Status: On=1,Off=0

$$\text{ex) Camera Address 200} = 1 \times 0(\text{Off}) + 2 \times 0(\text{Off}) + 4 \times 0(\text{Off}) + 8 \times 1(\text{On}) + 16 \times 0(\text{Off}) + 32 \times 0(\text{Off}) + 64 \times 1(\text{On}) + 128 \times 1(\text{On}) = 8+64+128=200 \rightarrow \text{Off/Off/Off/On/Off/Off/On/On}$$

(2) SW2 (bit1-2) Protocol

Protocol	bit1	bit2
TOSHIBA-P	Off	Off
TOSHIBA-D	On	Off
Reserve1	Off	On
Reserve2	On	On

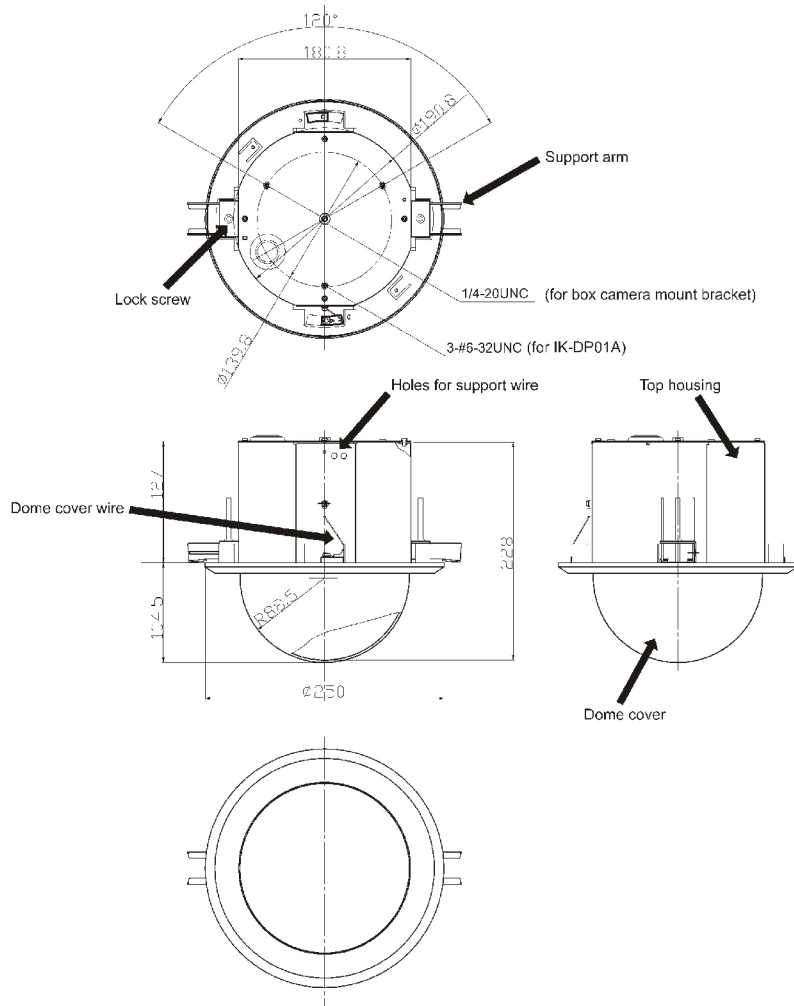
(3) SW2 (bit3-4) Bit Rate

Protocol	bit3	bit4
1200bps	Off	Off
2400bps	On	Off
4800bps	Off	On
9600bps	On	On

5. Specification

Items	Spec
Temperature of operation	32° to 122°F(0° to 50°C)
Preservation temperature	-4° to 140°F(-20° to 60°C)
Weight	1.4kg
Dimension	9.84(D) x 9.11(H) inches,(250(D) x 231.5(H) mm)
Power supply	AC24V ± 10% 50/60Hz
Power consumption	20W

6. Part names and Locations :



LIMITED WARRANTY CCD SECURITY CAMERA

The Imaging Systems Division of Toshiba America Information Systems, Inc. ("ISD") makes the following limited warranties with regard to this CAMERA HOUSING ("Product"). These limited warranties extend to the Original End-User ("You[r]").

One (1) Year Limited Warranty of Labor and Parts ISD warrants that this Product will perform in accordance with specifications for a period of one (1) year from the date of purchase by the Original End-User. During this one (1) year period, ISD will repair or replace the Product, if it does not perform as warranted. In order to take advantage of this Limited Warranty, You must: (a) deliver the Product to an ISD Authorized Service Provider ("ASP"); and (b) pay all transportation and insurance charges for shipment of the Product to the ASP. ISD reserves the right to substitute factory refurbished parts in place of those in need of repair.

Instruction Manual (Owner's Manual): You should read the Instruction Manual (Owner's Manual) thoroughly before operating this Product. Before seeking warranty service, you should check the troubleshooting guide in the Instruction Manual (Owner's Manual) and follow the instructions to correct the problem.

How to Obtain Warranty Service Step-by-step Procedures: To obtain warranty service, You should:

1. Contact Toshiba at (877) 855-1349 for operation or installation assistance. (877) 855-1FIX
2. Contact an ASP for warranty service within thirty (30) days after the Product fails to comply with specifications.
3. Arrange for shipment of the Product to a Toshiba Authorized Service Provider.
4. Securely pack the Product in the original carton and external shipping pack, include a letter explaining the problem with a copy of the bill of sale or proof of purchase.
5. Prepay all transportation and insurance costs.

Questions? If you have any questions, please check our web site at <http://www.toshiba.com/taisid/security/>

Your Responsibilities: This Limited Warranty is subject to the following conditions:

1. You must provide the bill of sale or proof of purchase at the time that warranty service is required.
2. You must notify an ASP within thirty (30) days after you discover that the product does not perform in accordance with specifications during the Limited Warranty period.
3. All Warranty Service of this product must be by an ISD Authorized Service Provider.
4. You must pack the Product in its original carton using the original packing material, then insert the original carton containing the Product into another carton with additional packing material before shipping the Product to an ASP.

DISCLAIMERS:

ALL OTHER EXPRESS OR IMPLIED WARRANTIES ON THIS PRODUCT, INCLUDING THE IMPLIED WARRANTIES OF MERCHANTABILITY AND FITNESS FOR A PARTICULAR PURPOSE, ARE HEREBY DISCLAIMED. SOME STATES DO NOT ALLOW THE EXCLUSION OF IMPLIED WARRANTIES OR LIMITATIONS ON HOW LONG AN IMPLIED WARRANTY LASTS. SO THE ABOVE LIMITATIONS MAY NOT APPLY TO YOU.

IF THIS PRODUCT IS NOT IN GOOD WORKING ORDER AS WARRANTED ABOVE, YOUR SOLE AND EXCLUSIVE REMEDY SHALL BE THE REPAIR OR REPLACEMENT OF THE PRODUCT. IN NO EVENT WILL ISD OR ITS PARENT COMPANY OR ANY ASP BE LIABLE TO YOU OR ANY THIRD PARTY FOR ANY DAMAGES IN EXCESS OF THE PURCHASE PRICE OF THE PRODUCT. THIS LIMITATION APPLIES TO DAMAGES OF ANY KIND, INCLUDING ANY DIRECT OR INDIRECT DAMAGES, LOST PROFITS, LOST SAVINGS OR OTHER SPECIAL, INCIDENTAL, EXEMPLARY OR CONSEQUENTIAL DAMAGES, WHETHER FOR BREACH OF CONTRACT, TORT OR OTHERWISE, OR WHETHER ARISING OUT OF THE USE OF OR INABILITY TO USE SUCH PRODUCT, EVEN IF TAIS, ITS PARENT COMPANY, OR AN ASP HAS BEEN ADVISED OF THE POSSIBILITY OF SUCH DAMAGES OR OF ANY CLAIM BY ANY OTHER PARTY. SOME STATES DO NOT ALLOW THE EXCLUSION OR LIMITATION OF INCIDENTAL OR CONSEQUENTIAL DAMAGES FOR SOME PRODUCTS, SO THE ABOVE LIMITATIONS OR EXCLUSIONS MAY NOT APPLY TO YOU.

THIS WARRANTY GIVES YOU SPECIFIC LEGAL RIGHTS, AND YOU MAY ALSO HAVE OTHER RIGHTS WHICH MAY VARY FROM STATE TO STATE.

THIS LIMITED WARRANTY SHALL BE VOID IF THE PRODUCT OR PARTS HAVE BEEN SUBJECTED TO MISUSE, ABUSE, ACCIDENT, IMPROPER INSTALLATION, IMPROPER MAINTENANCE, OR USE IN VIOLATION OF ISD'S WRITTEN INSTRUCTIONS, OR WHERE THE PRODUCT HAS BEEN ALTERED OR MODIFIED WITHOUT ISD'S PRIOR AUTHORIZATION, OR UPON THE REMOVAL OR ALTERATION OF ISD'S FACTORY SERIAL NUMBER. LABOR SERVICE CHARGES FOR PRODUCT INSTALLATION, SET UP AND ADJUSTMENT OF CONTROLS ARE NOT COVERED BY THIS LIMITED WARRANTY.

No person, agent, distributor, dealer, authorized service provider, or company is authorized to change, modify, or extend the terms of this Limited Warranty in any manner whatsoever. The time within which an action must be commenced to enforce any obligation of ISD arising under this Limited Warranty or under any statute, or law of the United States or any state thereof, is hereby limited to one (1) year from the date You discovered should have discovered the problem. This limitation does not apply to implied warranties arising under state law. Some states do not permit limitation of the time within which You may bring an action beyond the limits provided by state law, so the above provision may not apply to You. This Limited Warranty gives You specific legal rights and You may also have other rights which vary from state to state.

TOSHIBA AMERICA INFORMATION SYSTEMS, INC.
Imaging Systems Division

TOSHIBA

Free Manuals Download Website

<http://myh66.com>

<http://usermanuals.us>

<http://www.somanuals.com>

<http://www.4manuals.cc>

<http://www.manual-lib.com>

<http://www.404manual.com>

<http://www.luxmanual.com>

<http://aubethermostatmanual.com>

Golf course search by state

<http://golfingnear.com>

Email search by domain

<http://emailbydomain.com>

Auto manuals search

<http://auto.somanuals.com>

TV manuals search

<http://tv.somanuals.com>