

# TOSHIBA



## DVD VIDEO PLAYER / VIDEO CASSETTE RECORDER **SD-V296KU**

### OWNER'S MANUAL



Precautions

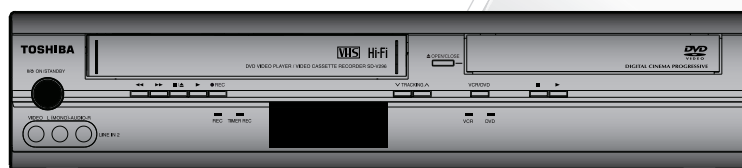
Setup

VCR Functions

DVD Functions

Information

Español



#### Owner's Record

The model number and serial number are on the back of your product. Record these numbers in the spaces below. Refer to these numbers whenever you communicate with your Toshiba dealer about this product.

Model number:

Serial number:

© 2008 Toshiba Corporation



## PRECAUTIONS

**WARNING:** TO REDUCE THE RISK OF FIRE OR ELECTRIC SHOCK, DO NOT EXPOSE THIS APPLIANCE TO RAIN OR MOISTURE.



**CAUTION**  
**RISK OF ELECTRIC SHOCK**  
**DO NOT OPEN**



**CAUTION:**

TO REDUCE THE RISK OF ELECTRIC SHOCK, DO NOT REMOVE COVER (OR BACK). NO USER SERVICEABLE PARTS INSIDE. REFER SERVICING TO QUALIFIED SERVICE PERSONNEL.



The lightning flash with arrowhead symbol, within an equilateral triangle, is intended to alert the user to the presence of uninsulated "dangerous voltage" within the product's enclosure that may be of sufficient magnitude to constitute a risk of electric shock to persons.



The exclamation point within an equilateral triangle is intended to alert the user to the presence of important operating and maintenance (servicing) instructions in the literature accompanying the appliance.

The caution marking is located on the rear of the cabinet.

### Laser Safety

This unit employs a laser. Only a qualified service person should remove the cover or attempt to service this device, due to possible eye injury.

**CAUTION:** USE OF CONTROLS OR ADJUSTMENTS OR PERFORMANCE OF PROCEDURES OTHER THAN THOSE SPECIFIED HEREIN MAY RESULT IN HAZARDOUS RADIATION EXPOSURE.

**CAUTION:** VISIBLE AND INVISIBLE LASER RADIATION WHEN OPEN AND INTERLOCK DEFEATED. DO NOT STARE INTO BEAM.

**LOCATION:** INSIDE, NEAR THE DECK MECHANISM.

**FCC WARNING-** This equipment may generate or use radio frequency energy. Changes or modifications to this equipment may cause harmful interference unless the modifications are expressly approved in the manual. The user could lose the authority to operate this equipment if an unauthorized change or modification is made.

### RADIO-TV INTERFERENCE

This equipment has been tested and found to comply with the limits for a Class B digital device, pursuant to Part 15 of the FCC Rules. These limits are designed to provide reasonable protection against harmful interference in a residential installation. This equipment generates, uses, and can radiate radio frequency energy and, if not installed and used in accordance with the instructions, may cause harmful interference to radio communications. However, there is no guarantee that interference will not occur in a particular installation. If this equipment does cause harmful interference to radio or television reception, which can be determined by turning the equipment off and on, the user is encouraged to try to correct the interference by one or more of the following measures:

- 1) Reorient or relocate the receiving antenna.
- 2) Increase the separation between the equipment and receiver.
- 3) Connect the equipment into an outlet on a circuit different from that to which the receiver is connected.
- 4) Consult the dealer or an experienced radio/TV technician for help.

**This Class B digital apparatus complies with Canadian ICES-003.**

**Cet appareil numérique de la classe B est conforme à la norme NMB-003 du Canada.**

**CAUTION: TO PREVENT ELECTRIC SHOCK, MATCH WIDE BLADE OF PLUG TO WIDE SLOT, FULLY INSERT.**

**ATTENTION: POUR ÉVITER LES CHOCs ÉLECTRIQUES, INTRODUIRE LA LAME LA PLUS LARGE DE LA FICHE DANS LA BORNE CORRESPONDANTE DE LA PRISE ET POUSSER JUSQU'AU FOND.**

### A NOTE ABOUT RECYCLING

This product's packaging materials are recyclable and can be reused. Please dispose of any materials in accordance with your local recycling regulations.

Batteries should never be thrown away or incinerated but disposed of in accordance with your local regulations concerning chemical wastes.

### Make your contribution to the environment!!!

- Used up batteries do not belong in the dust bin.
- You can dispose of them at a collection point for used up batteries or special waste. Contact your council for details.





# IMPORTANT SAFETY INSTRUCTIONS

This unit has been designed and manufactured to assure personal safety. Improper use can result in electric shock or fire hazard. The safeguards incorporated in this unit will protect you if you observe the following procedures for installation, use and servicing. This unit is fully transistorized and does not contain any parts that can be repaired by the user.

**DO NOT REMOVE THE CABINET COVER, OR YOU MAY BE EXPOSED TO DANGEROUS VOLTAGE. REFER SERVICING TO QUALIFIED SERVICE PERSONNEL ONLY.**

1. Read these instructions.
2. Keep these instructions.
3. Heed all warnings.
4. Follow all instructions.
5. Do not use this apparatus near water.
6. Clean only with dry cloth.
7. Do not block any ventilation openings. Install in accordance with the manufacturer's instructions.
8. Do not install near any heat sources such as radiators, heat registers, stoves, or other apparatus (including amplifiers) that produce heat.
9. Do not defeat the safety purpose of the polarized or grounding-type plug. A polarized plug has two blades with one wider than the other. A grounding type plug has two blades and a third grounding prong. The wide blade or the third prong are provided for your safety. If the provided plug does not fit into your outlet, consult an electrician for replacement of the obsolete outlet.
10. Protect the power cord from being walked on or pinched particularly at plugs, convenience receptacles, and the point where they exit from the apparatus.
11. Only use attachments/accessories specified by the manufacturer.
12. Use only with the cart, stand, tripod, bracket, or table specified by the manufacturer, or sold with the apparatus. When a cart is used, use caution when moving the cart/apparatus combination to avoid injury from tip-over.
13. Unplug this apparatus and disconnect the antenna or cable system during lightning storms or when unused for long periods of time.
14. Refer all servicing to qualified service personnel. Servicing is required when the apparatus has been damaged in any way, such as power-supply cord or plug is damaged, liquid has been spilled or objects have fallen into the apparatus, the apparatus has been exposed to rain or moisture, does not operate normally, or has been dropped.
15. Do not overload wall outlets; extension cords, or integral convenience receptacles as this can result in a risk of fire or electric shock.
16. Never expose the apparatus to dripping or splashing or place items such as vases, aquariums, any other item filled with liquid, or candles on top of the unit.
17. Keep your fingers well clear of the disc tray as it is closing. Neglecting to do so may cause serious personal injury.
18. Do not place anything on top of this unit.

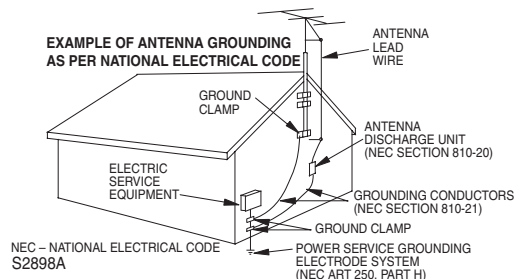


19. Do not place the apparatus on amplifiers or equipment that may produce heat.
20. Never block or cover the slots or openings in the unit. Never place the unit:
  - on a bed, sofa, rug, or similar surface;
  - too close to drapes, curtains, or walls; or
  - in a confined space such as a bookcase, built-in cabinet, or any other place with poor ventilation.
 The slots and openings are provided to protect the unit from overheating and to help maintain reliable operation.
21. Do not use a cracked, deformed, or repaired disc. These discs are easily broken and may cause serious personal injury and apparatus malfunction.
22. If the apparatus should emit smoke or an unusual odor, immediately disconnect the power cord from the wall outlet. Wait until the smoke or smell stops, then ask your dealer for a check and repair. Neglecting to do so may cause fire.
23. During thunderstorms, do not touch the connecting cables or the apparatus.
- 24.



## DANGER: RISK OF SERIOUS PERSONAL INJURY OR DEATH!

- Use extreme care to make sure you are never in a position where your body (or any item you are in contact with, such as a ladder or screwdriver) can accidentally touch overhead power lines. Never locate the antenna near overhead power lines or other electrical circuits.
  - Never attempt to install any of the following during lightning activity: a) an antenna system; or b) cables, wires, or any home theater component connected to an antenna or phone system.
25. Always make sure the antenna system is properly grounded to provide adequate protection against voltage surges and built-up static charges (see Section 810 of the National Electric Code).



Do not place the unit on the furniture that is capable of being tilted by a child and an adult leaning, pulling, standing or climbing on it. A falling unit can cause serious injury or even death.

Precautions

Setup

VCR Functions

DVD Functions

Information

Español





### Installation Location

For safety and optimum performance of this unit:

- Install the unit in a horizontal and stable position. Do not place anything directly on top of the unit. Do not place the unit directly on top of the TV.
- Shield it from direct sunlight and keep it away from devices of intense heat. Avoid dusty or humid places. Avoid places with insufficient ventilation for proper heat dissipation. Do not block the ventilation holes on the sides of the unit. Avoid locations subject to strong vibration or strong magnetic fields.

### Avoid the Hazards of Electrical Shock and Fire

- Do not handle the power cord with wet hands.
- Do not pull on the power cord when disconnecting it from AC outlet. Grasp it by the plug.
- If, by accident, water is spilled on this unit, unplug the power cord immediately and take the unit to our Authorized Service Center for servicing.

### Moisture Condensation Warning

Moisture condensation may occur inside the unit when it is moved from a cold place to a warm place or after heating a cold room or under conditions of high humidity. Do not use this unit at least for 2 hours until its inside gets dry.

### About Copyright

The unauthorized recording, use, distribution, or revision of television programs, videotapes, DVDs and other materials, is prohibited under the copyright laws of the United States and other countries, and may subject you to civil and/or criminal liability.

This product incorporates copyright protection technology that is protected by U.S. patents and other intellectual property rights. Use of this copyright protection technology must be authorized by Macrovision, and is intended for home and other limited viewing uses only unless otherwise authorized by Macrovision. Reverse engineering or disassembly is prohibited.

### Notice for Progressive Scan Output

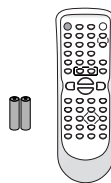
Consumers should note that not all high definition television sets are fully compatible with this product and may cause artifacts to be displayed in the picture. In case of picture problems with 480 progressive scan output, it is recommended that the user switch the connection to the "standard definition" output. If there are questions regarding your TV set compatibility with this 480p DVD recorder, please contact Toshiba Customer Service.

### Auto Power Off and Screen Saver Function (DVD Only)

If the player is left with no activity for more than 5 minutes, the screen saver will be activated, and if it is left for another 25 minutes, the unit switches from DVD to VCR mode automatically.

### Supplied Accessories

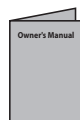
Remote control with two AA batteries



RCA Audio/Video cables



Owner's Manual



Quick Start Guide



Return Stop Sheet



### Symbols Used in this Manual

The following symbols appear in some headings in this manual.



: Description refers to video cassette tapes.



: Description refers to playback of DVD-Video.



: Description refers to playback of Audio CDs.



: Description refers to playback of JPEG files.

**Manufactured under license from Dolby Laboratories. Dolby and the double-D symbol are trademarks of Dolby Laboratories.**

**Manufactured under license under U.S. Patent #: 5,451,942 & other U.S. and worldwide patents issued & pending. DTS and DTS Digital Out are registered trademarks and the DTS logos and Symbol are trademarks of DTS, Inc. ©1996-2007 DTS, Inc. All Rights Reserved.**





## Maintenance

### SERVICING

- Please refer to relevant topics on the "Troubleshooting" on page 27 before returning the unit.
- If this unit becomes inoperative, do not try to correct the problem by yourself. There are no user-serviceable parts inside. Turn off, unplug the power plug, and please call our help line to locate an Authorized Service Center.

### CLEANING THE CABINET

- Use a soft cloth slightly moistened with a mild detergent solution. Do not use a solution containing alcohol, spirits, ammonia or abrasive.

### CLEANING DISCS

- When a disc becomes dirty, clean it with a cleaning cloth. Wipe the disc from the center to out. Do not wipe in a circular motion.
- Do not use solvents such as benzine, thinner, commercially available cleaners, detergent, abrasive cleaning agents or antistatic spray intended for analog records.

### CLEANING THE DISC LENS

- If this unit still does not perform properly although you refer to the relevant sections and to "Troubleshooting" in this Owner's Manual, the laser optical pickup unit may be dirty. Consult your dealer or an Authorized Service Center for inspection and cleaning of the laser optical pickup unit.

### DISC HANDLING

- When you handle a disc hold it by its edge and try not to touch the surface of the disc.
- Always store a disc in its protective case when it is not used.

### AUTO HEAD CLEANING

- Automatically cleans video heads as you insert or remove a cassette tape, so you can see a clear picture.
  - Playback picture may become blurred or interrupted while the TV program reception is clear. Dirt accumulated on the video heads after a long period of use, or the usage of rental or worn cassette tapes can cause this problem. If a streaky or snowy picture appears during playback, the video heads in your unit may need to be cleaned.
1. Please visit your local audio/video store and purchase a good quality VHS video head cleaner.
  2. If a Video head cleaner does not solve the problem, please call our toll free customer support line found on the cover of this manual to locate an authorized service center.

#### Note:

- Remember to read the instructions along with the video head cleaner before use.
- Clean video heads only when problems occur.

#### Note to CATV system installer:

- This reminder is provided to call the cable TV system installer's attention to Article 820-40 of the National Electrical Code, which provides guidelines for proper grounding - in particular, specifying that the cable ground shall be connected to the grounding system of the building, as close to the point of cable entry as possible.

## Table of Contents

### PRECAUTIONS

Laser Safety.....	2
<b>IMPORTANT SAFETY INSTRUCTIONS .....</b>	<b>3</b>
Installation Location .....	4
Avoid the Hazards of Electrical Shock and Fire .....	4
Moisture Condensation Warning.....	4
About Copyright .....	4
Notice for Progressive Scan Output .....	4
Auto Power Off and Screen Saver Function (DVD Only).....	4
Supplied Accessories.....	4
Symbols Used in this Manual .....	4
Maintenance.....	5

### SETUP

<b>Choosing a Disc / Cassette Tape .....</b>	<b>6</b>
Playable Media.....	6
Unplayable Media.....	6
<b>Index to Parts and Controls.....</b>	<b>7</b>
Front Panel.....	7
Rear Panel.....	7
Remote Control.....	8
Installing the Batteries for the Remote Control .....	8
DVD Display Panel.....	9
VCR Display Panel.....	9
Selecting DVD or VCR Operation .....	9
<b>Connections .....</b>	<b>10</b>
Connection to RF Modulator (Not Supplied) .....	10
Connection to a TV.....	10
Connection to an Audio System .....	11
Connection to an External Tuner.....	11
<b>Preparation for Use .....</b>	<b>12</b>
Turning on Unit for the First Time.....	12
Clock Setting .....	12

### VCR FUNCTIONS

<b>Playback .....</b>	<b>13</b>
When You Playback a Cassette Tape Recorded in Hi-Fi Stereo.....	13
<b>Other Operations.....</b>	<b>13</b>
Index Search .....	13
Time Search .....	13
Auto Repeat .....	14
<b>Recording.....</b>	<b>14</b>
Recording & One-touch Timer Recording (OTR) .....	14
Timer Recording.....	14
Notes for Timer Recording & One-touch Timer Recording (OTR)....	15
Satellite Link .....	16
Copying a Cassette Tape .....	16
DVD to Cassette Tape Duplication .....	17

### DVD FUNCTIONS

<b>Playback .....</b>	<b>17</b>
<b>On-Screen Display .....</b>	<b>18</b>
<b>JPEG Playback .....</b>	<b>19</b>
<b>Search Functions .....</b>	<b>20</b>
Using Track Search.....	20
Using Title / Chapter Search .....	20
Using Time Search.....	20
Marker Setting .....	20
<b>Repeat / Random / Programmed Playback .....</b>	<b>21</b>
Repeat Playback .....	21
Repeat A-B Playback.....	21
Random Playback.....	21
Programmed Playback.....	21
<b>Special Settings .....</b>	<b>22</b>
Subtitle Language .....	22
Audio Language.....	22
Camera Angles.....	22
Black Level Setting .....	22
Stereo Sound Mode.....	22
Virtual Surround .....	22
<b>DVD Setting .....</b>	<b>23</b>
LANGUAGE Setting .....	23
DISPLAY Setting .....	24
AUDIO Setting.....	24
PARENTAL Setting .....	25
OTHERS Setting .....	26
Reset to the Default Setting (Except for PARENTAL Setting) .....	26

### INFORMATION

<b>Troubleshooting.....</b>	<b>27</b>
<b>Specifications .....</b>	<b>28</b>
<b>Language Code List .....</b>	<b>28</b>
<b>LIMITED WARRANTY.....</b>	<b>29</b>
<b>Español .....</b>	<b>32</b>



## SETUP

### Choosing a Disc / Cassette Tape

#### Playable Media

Type of media	Mark (logo)	Region code	Recorded signals	Media size	Tape speed and disc types
cassette tape		—	analog video	tape width 1/2 inches (12.65mm)	SP: 1-5/16 inch/sec. (33.40 mm/sec.) SLP: 7/16 inch/sec. (11.12 mm/sec.)
DVD-video *1, 2, 3, 5, 8		or	digital video (MPEG2)	5 inches (12 cm) or 3 inches (8 cm)	
DVD-RW DVD-R *1, 3, 4, 5, 6, 7, 8, 9	 	—			
DVD+RW DVD+R *1, 3, 4, 5, 7, 8	 	—			
Audio CD *3, 5, 8		—	digital audio or JPEG	5 inches (12 cm) or 3 inches (8 cm)	 
CD-RW CD-R *3, 4, 5, 7, 8	   	—			

**DVD** is a trademark of DVD Format/Logo Licensing Corporation.

#### If you cannot play back a disc which bears one of the marks above, check the following.

- \*1: This unit conforms to the NTSC color system. Discs recorded in other color systems such as PAL cannot be played back.
  - \*2: Certain DVD-video does not operate as described in this manual due to the intentions of the disc's producers.
  - \*3: Scratched or stained discs may not be played back.
  - \*4: Some discs cannot be played back because of incompatible recording conditions, characteristics of the recorder or special properties of discs.
  - \*5: You can play back discs which bear the marks above. If you use nonstandardized discs, this unit may not play them back. Even if they are played back, the sound or video quality will be compromised.
  - \*6: You may play back the unfinalized DVD-RW/-R recorded in the video format on our brand's DVD recorder. However, depending on the recording status of a disc, the disc may not be played back at all or normally (the picture or sound may not be smooth, etc.). In this case, you need to finalize the disc with the DVD recorder. Refer to the manual accompanying the DVD recorder.
  - \*7: If the recorded portion of the disc is too small (less than 2-3/16 inches (55 mm) across), it may not play back properly.
  - \*8: Do not glue paper or put stickers on to the disc. These may damage the disc, and the unit may not read it correctly.
  - \*9: Discs recorded in the VR (video recording) format cannot be played back.
- Because of problems and errors that can occur during the creation of DVD and CD software and/or the manufacture of DVD and CD discs, Toshiba cannot assure that this DVD player will successfully play every disc bearing the DVD and CD logos. If you happen to experience any difficulty playing a DVD and/or CD disc on this DVD player, please contact Toshiba Customer Service.

#### Unplayable Media

##### NEVER play the following discs as malfunction may result!

DVD-RAM, DVD-audio, CD-i, photo CD, DVD with region codes other than 1 or ALL, DVD-ROM for personal computers, CD-ROM for personal computers, DVD-RW/-R in VR mode, DVD or CD with MP3/WMA files, HD DVD, Blu-ray Disc

##### On the following disc, the sound MAY NOT be heard.

super audio CD

##### Note:

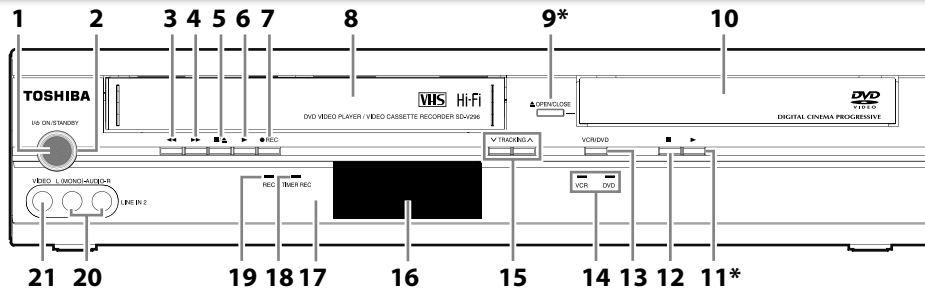
- Only the sound recorded on the normal CD layer can be delivered. The sound recorded on the high density super audio CD layer cannot be delivered.

##### Any other discs without compatibility indications



# Index to Parts and Controls

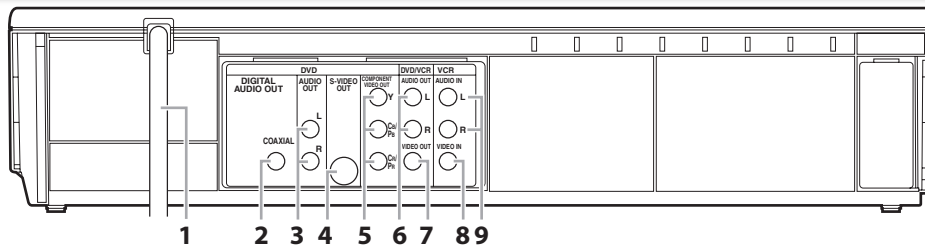
## Front Panel



(\*) The unit can also be turned on by pressing these buttons or by inserting a cassette tape.

- 1. I/O ON/STANDBY button**  
Press to turn on and off the unit.
- 2. POWER ON indicator**  
This indicator will light up when the power is on and turn off when the power is off.
- 3. ◀ (REW) button (VCR only)**  
Press to rewind the cassette tape, or to view the picture rapidly in reverse during playback (rewind search).
- 4. ▶▶ (FWD) button (VCR only)**  
Press to rapidly advance the cassette tape, or to view the picture rapidly in forward during playback (forward search).
- 5. ■ / ▲ (STOP/EJECT) button (VCR only)**  
**■ (STOP) button**  
Press to stop cassette tape playback or recording.  
Press to stop the proceeding timer recording in VCR.  
**▲ (EJECT) button**  
When the unit is in stop mode, press to remove the cassette tape from the cassette compartment.
- 6. ▶ (PLAY) button (VCR only)**  
Press to start playback.
- 7. ● REC button (VCR only)**  
Press once to start a recording. Press repeatedly to start the one-touch timer recording.
- 8. Cassette compartment (VCR only)**  
Insert a cassette tape here.
- 9. ▲ OPEN/CLOSE button (DVD only)\***  
Press to open or close the disc tray.
- 10. Disc tray (DVD only)**  
Place a disc when it is open.
- 11. ▶ (PLAY) button (DVD only)\***  
Press to start or resume playback.
- 12. ■ (STOP) button (DVD only)**  
Press to stop playback or recording.  
Press to stop the proceeding timer recording in DVD.
- 13. VCR/DVD button**  
Press to select the component you wish to operate.
- 14. VCR/DVD indicator**  
Lights up when the VCR/DVD output mode is selected.
- 15. TRACKING ∨ / ∧ buttons (VCR only)**  
Press to adjust the tracking during playback or in slow motion of the cassette tape.  
While playback is in still mode, you can stabilize the picture.
- 16. Display**  
Refer to "DVD Display Panel" and "VCR Display Panel" on page 9.
- 17. Remote control sensor**  
Receive signals from your remote control so that you can control the unit from a distance.
- 18. TIMER REC indicator (VCR only)**  
Lights up when a timer recording or OTR (One-touch Timer Recording) has been set.  
Blinks when a timer recording or OTR (One-touch Timer Recording) has been finished or if the unit could not complete the recording due to some error.
- 19. REC indicator (VCR only)**  
Lights up during a recording, OTR (One-touch Timer Recording) or timer recording.  
Blinks when a recording is paused.
- 20. AUDIO input jacks (L2) (VCR only)**  
Use to connect external device with an RCA audio cable.
- 21. VIDEO input jack (L2) (VCR only)**  
Use to connect external device with an RCA video cable.

## Rear Panel

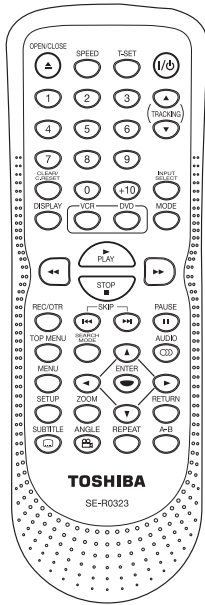


- 1. AC Power Cord**  
Connect to a standard AC outlet to supply power to this unit.
- 2. COAXIAL DIGITAL AUDIO OUT jack (DVD only)**  
Use to connect an AV receiver, Dolby Digital decoder or other device with a coaxial digital input jack with a digital coaxial cable.
- 3. AUDIO OUT jacks (DVD only)**  
Use to connect a TV monitor, AV receiver or other device with an RCA audio cable.
- 4. S-VIDEO OUT jack (DVD only)**  
Use to connect the S-video input of a TV monitor, AV receiver or other device with an S-video cable.
- 5. COMPONENT VIDEO OUT jacks (DVD only)**  
Use to connect a TV monitor with component video inputs with a component video cable.
- 6. AUDIO OUT jacks**  
Use to connect a TV monitor, AV receiver or other device with an RCA audio cable.
- 7. VIDEO OUT jack**  
Use to connect a TV monitor, AV receiver or other device with an RCA video cable.
- 8. VIDEO IN jack (L1) (VCR only)**  
Use to connect external device with an RCA video cable.
- 9. AUDIO IN jacks (L1) (VCR only)**  
Use to connect external device with an RCA audio cable.

### Note:

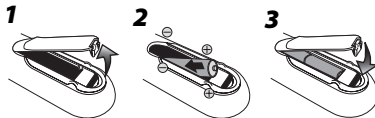
- Do not touch the inner pins of the jacks on the rear panel. Electrostatic discharge may cause permanent damage to the unit.

## Remote Control



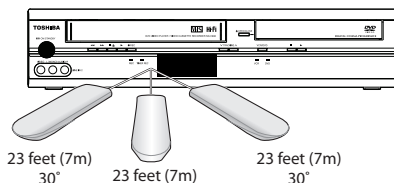
### Installing the Batteries for the Remote Control

Install two AA batteries (supplied) matching the polarity indicated inside battery compartment of the remote control.



Keep in mind the following when using the remote control:

- Make sure that there are no obstacles between the remote control and the infrared sensor window on the unit.
- The maximum operable ranges from the unit are as follows.
  - **Line of sight:** approx. 23 feet (7m)
  - **Either side of center:** approx. 23 feet (7m) within 30°



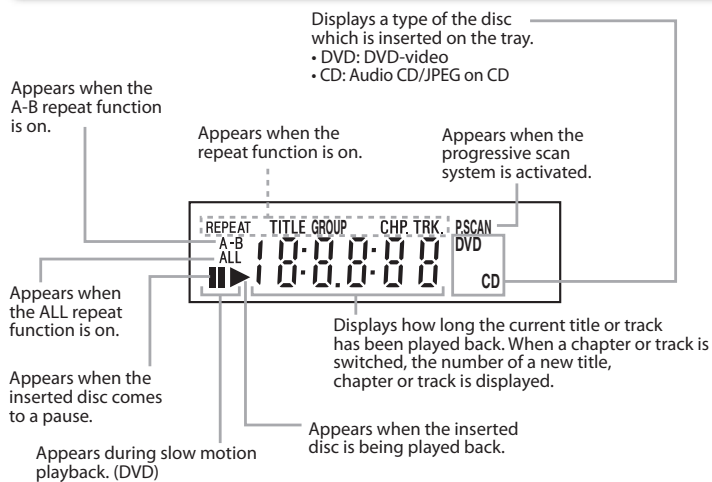
#### Note:

- Do not mix alkaline and manganese batteries.
- Do not mix old and new batteries.
- Always remove batteries from remote control if they are dead or if the remote control is not to be used for an extended period of time. This will prevent battery acid from leaking into the battery compartment.
- If you turn off this unit, [OPEN/CLOSE ▲] on the remote control is not available. Be sure to use [OPEN/CLOSE ▲] or [■/▲ (STOP/EJECT)] on the unit.

Media Button (Alphabetical order)	DVD mode		VCR mode
	DVD	CD PEG	VHS
I/O	• To turn the unit on/off.	• To turn the unit on/off.	• To turn the unit on/off.
1-10	• To select chapter or title directly.	• To select track or file directly.	—
◀ ▶	• To search forward/backward through a disc. • To begin slow forward/reverse playback in the pause mode.	• To search forward/backward through a disc. (CD)	• To forward/backward a tape. • To begin slow forward playback in the pause mode.
A-B	• To repeat between your chosen point of A and B.	• To repeat between your chosen point of A and B. (CD)	—
ANGLE	• To select camera angles on a disc.	• To rotate a picture 90 degrees clockwise. (JPEG)	—
AUDIO	• To select audio languages on a disc.	• To select "STEREO", "L-ch" or "R-ch". (CD)	• To select "HIFI" or "MONO" mode during playback. (Hi-Fi tapes only)
CLEAR	• To clear the markers. • To clear numbers entered incorrectly. • To cancel the point A for A-B repeat setting.	• To clear the markers. (CD) • To remove status number in program input. • To clear numbers entered incorrectly. • To cancel the point A for A-B repeat setting. (CD)	• To exit the VCR menu. • To reset the tape counter.
DISPLAY	• To display the current disc mode.	• To display the current disc mode.	• To display the current time, tape counter, "DISC", "L1" or "L2".
DVD	• To select DVD output mode. • To activate DVD mode.	• To select the DVD output mode. • To activate DVD mode.	—
▲ ▼	• To move the cursor and determine its position.	• To move the cursor and determine its position. • To skip files. (JPEG)	• To select an item on the VCR menu. • To advance to the next VCR menu. • To go back one step during clock and timer programming.
INPUT SELECT	—	—	• To select input "DISC", "L1" or "L2".
MENU	• To call up the disc menu on a disc.	• To call up the file list. (JPEG)	—
MODE	• To set black level on/off. • To set virtual surround on/off.	• To program the playing order or play randomly. • To set virtual surround on/off. (CD) • To activate the Slide Show mode. (JPEG)	—
OPEN/CLOSE	• To open or close the disc tray.	• To open or close the disc tray.	• To eject the cassette tape from the cassette compartment.
PAUSE	• To pause disc playback. • To advance playback one frame at a time.	• To pause disc playback.	• To pause tape playback or recording. • To advance playback one frame at a time.
PLAY	• To begin disc playback.	• To begin disc playback.	• To begin tape playback.
REC/OTR	—	—	• To start recording or one-touch timer recording (OTR).
REPEAT	• To play back a chapter or title repeatedly.	• To play back a track or disc repeatedly. (CD) • To play back a file, folder or disc repeatedly. (JPEG)	• To select the repeat mode on/off.
RETURN	• To return to the previous operation in menu.	• To return to the previous operation in menu.	—
SEARCH	• To search chapter, title or time. • To set or search the markers.	• To search track. • To search time. (CD) • To set or search the markers. (CD)	• To call up the index or time search menu.
SETUP	• To call up the DVD setup menu.	• To call up the DVD setup menu.	• To call up the VCR menu.
SKIP	• To skip chapters or titles.	• To skip tracks or files.	—
SPEED	—	—	• To select the recording speed.
STOP	• To stop playback.	• To stop playback.	• To stop playback or recording.
SUBTITLE	• To select subtitles on a disc.	—	—
T-SET	—	—	• To put the VCR into standby mode for a timer recording.
TOP MENU	• To call up the top menu on a disc.	• To return to the top file of the highest hierarchy in the program and file list. (JPEG)	—
TRACKING	—	—	• To adjust the tracking manually during playback.
VCR	—	—	• To select the VCR output mode. • To activate VCR mode.
ZOOM	• To magnify part of a picture. (2x/4x)	• To magnify part of a picture. (2x) (JPEG)	—

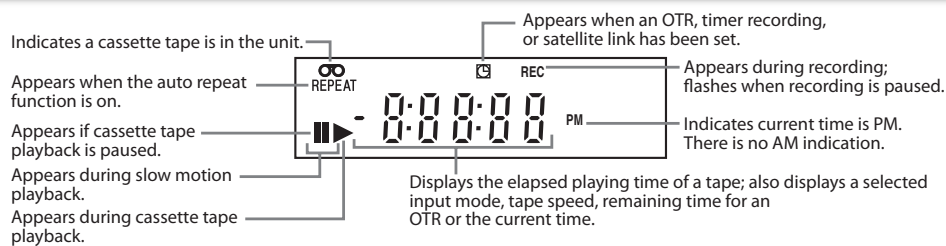


## DVD Display Panel



	No disc inserted or cannot read
	Tray open
	Tray closed
	Loading the Disc

## VCR Display Panel



## Selecting DVD or VCR Operation

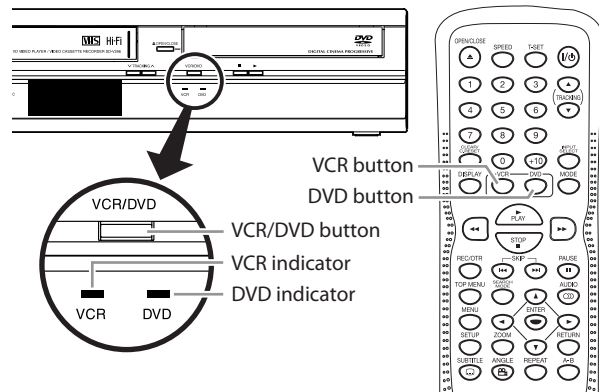
You must first select either DVD or VCR operation.

### VCR MODE

Press **[VCR]** on the remote control. (Verify that the VCR indicator is lit.)

### DVD MODE

Press **[DVD]** on the remote control. (Verify that the DVD indicator is lit.)



Precautions

Setup

VCR Functions

DVD Functions

Information

Español

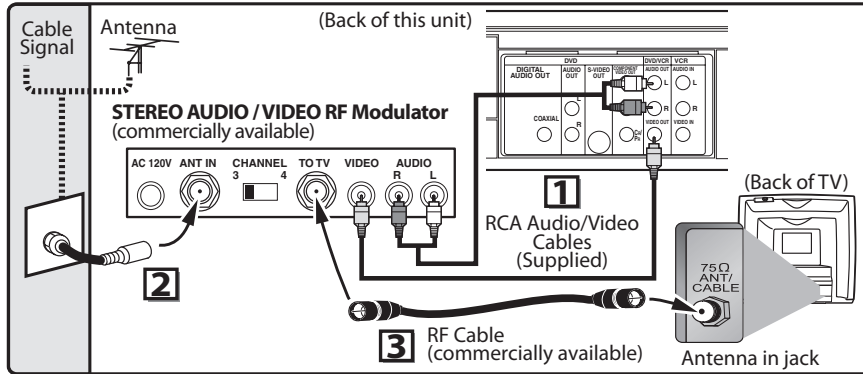
# Connections

If your TV has AUDIO/VIDEO input jacks, see the section "Connection to a TV" on this page. If not, it is still possible to connect this unit to your TV by using a STEREO AUDIO/VIDEO RF modulator (commercially available). In this case, follow the instructions below.

## Connection to RF Modulator (Not Supplied)

- 1) Disconnect the power cords of the devices from the AC outlet.
- 2) Connect the AUDIO/VIDEO output jacks of this unit to the AUDIO / VIDEO input jacks of your RF modulator by RCA Audio/Video cables.
- 3) The antenna input jack of your TV may have been already occupied. If so, disconnect the RF cable from your TV and then connect the RF cable to your RF modulator (usually marked "ANT IN").
- 4) Connect your RF modulator to your TV by another RF cable.
- 5) Set your RF modulator's channel 3/4 switch to either 3 or 4, whichever the TV channel is least used in your area. If your RF modulator has a modulator/antenna switch, set it according to your RF modulator's manual.
- 6) Plug in the power cords of the devices to the AC outlet.
- 7) Turn on your TV and choose the same channel as you set the RF modulator's channel 3/4 switch to. For more details, follow the instructions supplied with the RF modulator.

If your TV does not have AUDIO / VIDEO input jack.



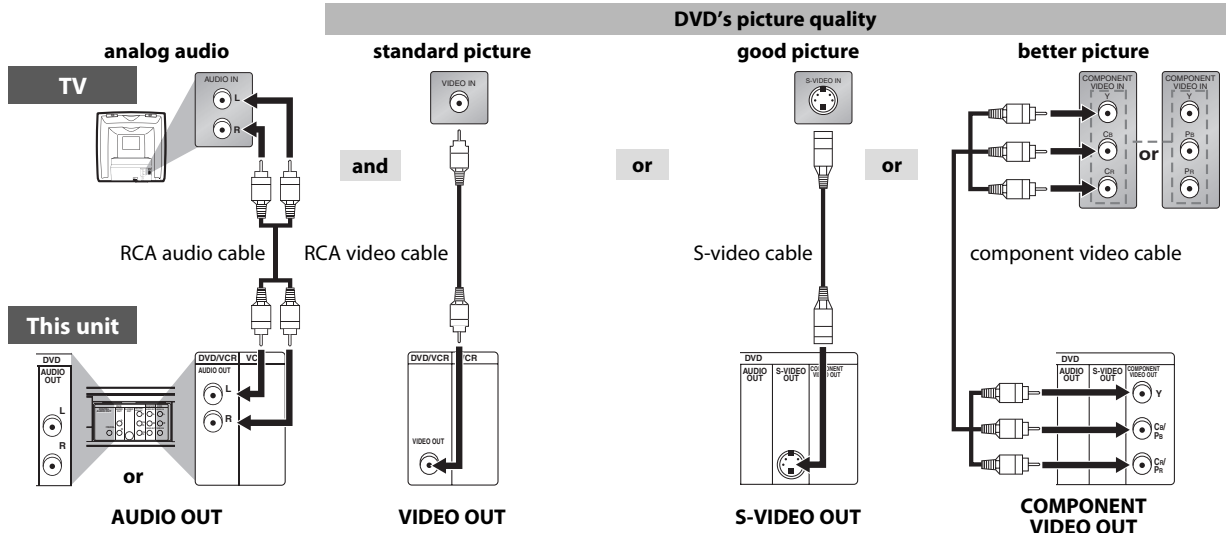
**Note:**  
• The quality of picture may become poor if the unit is connected to an RF modulator.

## Connection to a TV

If your TV does not have AUDIO/VIDEO input jack, see the section "Connecting to RF Modulator (Not Supplied)" on this page.

### VCR and Basic DVD Connection

### Available for DVD only



### Supplied cables used in this connection are as follows:

- RCA audio cable (L/R) x 1
  - RCA video cable x 1
- Please purchase the rest of the necessary cables at your local store.

### Note:

- Connect this unit directly to your TV. If RCA audio/video cables are connected to a VCR, pictures may be distorted due to the copy protection system.
- DIGITAL AUDIO OUT (COAXIAL), DVD AUDIO OUT, S-VIDEO OUT and COMPONENT VIDEO OUT jacks are only useful in DVD mode.

### After connecting to your TV:

Press the input selector button (usually TV/VIDEO, INPUT or AUX) on your TV to switch an appropriate external input channel (usually near channel 0) for viewing the picture from this unit. If the picture does not appear, also refer to the manual accompanying your TV.

### If your TV is compatible with 525 (480) progressive scanning, and you want to enjoy that high quality picture for DVD playing;

You must select the connection COMPONENT VIDEO OUT above and progressive scanning mode. To set the mode, set "PROGRESSIVE" to "ON" in "DISPLAY" menu, so that the "P. SCAN" on the front panel display appears. Refer to pages 23-24 for more details.

### If your TV is not compatible with progressive scanning;

Use this unit in interlace mode and set "PROGRESSIVE" to "OFF" either in "DISPLAY" menu or by pressing and holding [▶ (PLAY)] on the front of the unit on the DVD side for more than 5 seconds, so that the "P. SCAN" on the front panel display disappears.





## Connection to an Audio System

If using this DVD player to play back a DVD in a Dolby Digital Multi-channel surround or DTS surround format, the DVD player outputs a Dolby Digital or DTS data stream from its COAXIAL DIGITAL AUDIO OUT jack.

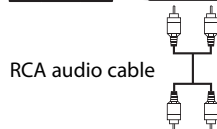
By hooking up the player to a Dolby Digital or DTS decoder, you can enjoy more convincing, realistic ambience with powerful and high-quality surrounding sound of a professional standard which can be heard in movie theaters.

Use a commercially available digital audio coaxial cable for the audio connections.

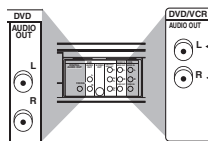
### Method 1

#### Stereo system

### AUDIO



### This unit



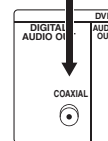
AUDIO OUT (Analog)

### Method 2

#### AV amplifier with a built in decoder (AV control center), Dolby Digital decoder, DTS decoder, MD deck or DAT deck



digital audio coaxial cable



DIGITAL AUDIO OUT

- **Method 1** DVD Player + Stereo system

- **Method 2** DVD Player + AV amplifier with a built in decoder (AV control center), Dolby Digital decoder, DTS decoder, MD deck or DAT deck

### Supplied cables used in this connection are as follows:

- RCA audio cable (L/R) x 1
- Please purchase the rest of the necessary cables at your local store.

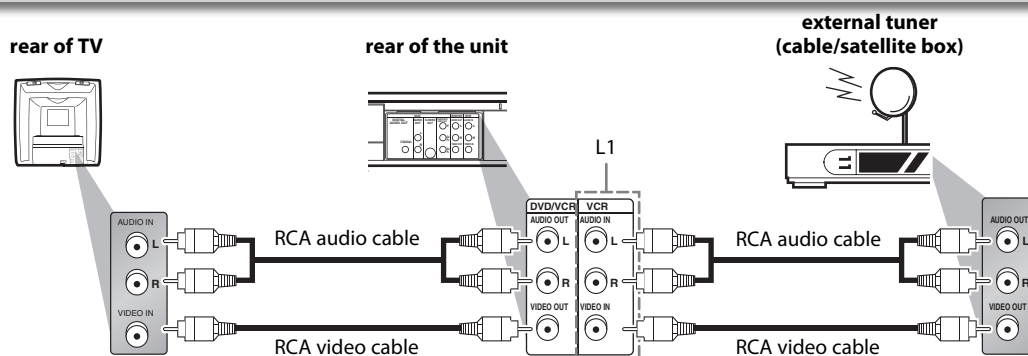
### Note:

- Be sure to turn off the power of all components in the system before connecting another component.
- Refer to the Instruction Manuals for your TV, stereo system and any other components to be connected to the DVD player.

### Note (for method 2 only):

- When using an AV amplifier with a built in decoder (AV control center), Dolby Digital, or DTS decoder as shown in the Method 2, set "DOLBY DIGITAL" or "DTS" to "BITSTREAM" accordingly for audio output in the setup mode (refer to pages 23-24). Set it to "PCM" or "OFF" for the decoder that is not used currently. Playing back a DVD using incorrect settings may generate noise distortion, and may also damage the speakers.
- The audio source on a disc in a Dolby Digital Multi-channel surround format cannot be recorded as digital sound by an MD deck or DAT deck.
- Set "Dolby Digital" to "PCM" and "DTS" to "OFF" for audio output in the setup mode for connecting to an MD deck or DAT deck (refer to pages 23-24).
- Harsh noise that could harm your ears or the speakers is generated when a DVD recorded in DTS is played while using a decoder, etc., that is not DTS-compatible.
- When playing a copyright-protected 96kHz PCM DVD, the digital sound will be down sampled at 48kHz, even if you set "DOWN SAMPLING" to "OFF" (refer to pages 23-24).

## Connection to an External Tuner



### Using the unit with an external tuner

1. Connect RCA audio and video cables to the audio and video output jacks of your external tuner and to the audio and video input jacks at the rear of the unit.
2. Press **[INPUT SELECT]** on your remote control until "L1" is displayed on your TV.

### Note:

- Your cable/satellite box can be accessed only by connecting it to L1 (rear panel jacks) of the unit. Even if the unit is turned off, the signal from the external tuner is output to the TV through the unit.

L1: Rear panel terminals  
L2: Front panel terminals

Refer to "Front Panel" and "Rear Panel" on page 7 for more information.

### Supplied cables used in this connection are as follows:

- RCA audio cable (L/R) x 1
  - RCA video cable x 1
- Please purchase the rest of the necessary cables at your local store.

### Special note when connected to an external tuner:

- Only the active channel on your external tuner may be viewed or recorded when connected to this unit. Do not change channels during a recording. You cannot record on channel while viewing another.
- Always use the LEFT (white) audio output jack from the external tuner to ensure that the audio is mixed down correctly to mono for this unit. If you use the RIGHT (red) jack, you will record the right audio only.

EN

- 11 -

Precautions

Setup

VCR Functions

DVD Functions

Information

Español



# Preparation for Use

## Turning on Unit for the First Time

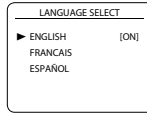
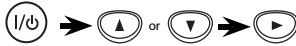


Please note: most instructions in this manual refer to remote control use.

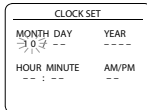
- 1 Be sure your TV's input is set to VIDEO. (Name may vary with TV manufacturer. See your TV manual for details.)



- 2 Select your on-screen language. Then press [▶] to continue.

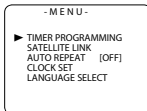


- 3 When "CLOCK SET" menu appears, go to step 2 in "Clock Setting" on this page.

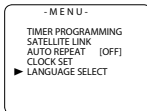


## To Change the Selected On-screen Language

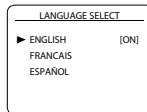
- 1 Press [SETUP] until the main menu appears.



- 2 Select "LANGUAGE SELECT". Then press [▶] to go to next step.



- 3 Select "ENGLISH", "FRANCAIS" or "ESPAÑOL". Then press [SETUP].



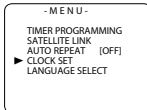
### Note:

- If you accidentally select Spanish or French and need English: Press [SETUP] and choose "SELEC. IDIOMA" or "SELECTION LANGUE". Press [▶] and select "ENGLISH". Finally, press [SETUP].

## Clock Setting

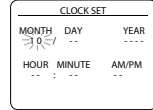


- 1 Press [SETUP] and select "CLOCK SET". Then press [▶] to go to next step.

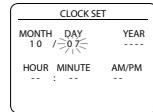


- If the clock is not set, "CLOCK SET" menu appears when you press [SETUP]. In this case, go to step 2.

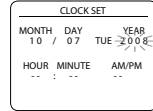
- 2 Select the current month. Then press [▶] to go to next step.



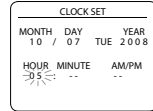
- 3 Select the current day. Then press [▶] to go to next step.



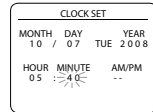
- 4 Select the current year. Then press [▶] to go to next step.



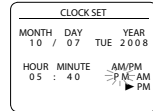
- 5 Select the current hour. Then press [▶] to go to next step.



- 6 Select the current minute. Then press [▶] to go to next step.



- 7 Select "AM" or "PM".



- 8 Press [SETUP] to exit "CLOCK SET" menu.



### Note:

- To go back, press [◀] during steps 2 to 7.
- Clock setting will be lost after a power failure, or this unit has been unplugged for more than 30 seconds.



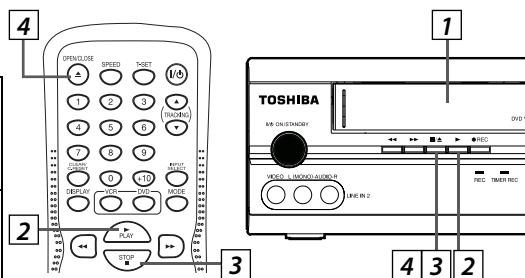
# VCR FUNCTIONS

## Playback

Before: Turn on the TV.



<b>1</b> Insert a cassette tape into this unit. 	<b>2</b> To start playback 
<b>3</b> To stop playback 	<b>4</b> To eject the cassette tape 



### Note:

- When a cassette tape without a record tab is inserted, the unit will start playback automatically.
- Tracking will be automatically adjusted upon playback. To adjust the tracking manually, use [TRACKING ▲ / ▼] ([TRACKING ▼ / ▲] on this unit) during playback.

## When You Playback a Cassette Tape Recorded in Hi-Fi Stereo

Press [AUDIO] on the remote control, then select "HIFI" or "MONO".

- During playing back non Hi-Fi tapes, [AUDIO] on the remote control is not available.

Your selection Type of recorded tape	HIFI		MONO
	L-channel	R-channel	
Hi-Fi tapes recorded in Hi-Fi stereo	L	R	L+R

## Other Operations

### To cue or review picture during playback (picture search)

Use [▶▶] or [◀◀] ([▶▶ (FWD)] or [◀◀ (REW)] on this unit).

- Press it again and the unit will search in super high speed. (in the SLP mode only)

### To freeze the picture on TV screen during playback (still mode)

Press [PAUSE]. Each time you press the button, the picture will be forwarded by one frame.

- If the picture begins to vibrate vertically in the still mode, stabilize the picture by using [TRACKING ▲ / ▼] ([TRACKING ▼ / ▲] on this unit).
- If the picture is distorted or rolling vertically, adjust the vertical hold control on your TV if equipped.

### To reset the cassette tape counter (counter reset)

Press [DISPLAY] to display the cassette tape counter on the TV.

Press [CLEAR/C.RESET] to reset the counter to "0:00:00".

### To play back in slow motion (slow mode)

Press [PAUSE] during playback, then press [▶▶] ([▶▶ (FWD)] on this unit).

- If you want to change speed in slow mode, press [▶▶] or [◀◀] ([▶▶ (FWD)] or [◀◀ (REW)] on this unit, slow speed will be more fast or slow mode.
- If the noise bars appear on the TV screen, you can reduce it by using [TRACKING ▲ / ▼] ([TRACKING ▼ / ▲] on this unit).

### To rewind the cassette tape automatically (auto rewind)

When a cassette tape reaches its end during playback, fast-forward or recording (except timer recording and one-touch timer recording), the cassette tape will automatically rewind to the beginning. After rewinding finishes, the unit will eject the cassette tape.

### Note:

- To prevent damage to the cassette tape, still or slow mode will automatically stop after 5 minutes.
- To return to playback from the picture search, still or slow mode, press [PLAY].

## Index Search

To search by index mark. The index mark will be made automatically at the beginning of each recording.



• Insert a cassette tape into this unit.

- Press [SEARCH MODE] once.
- To select index mark  
  
beginning of the contents    current program    end of the contents  
Pro.1 Pro.2 Pro.3 Pro.4 Pro.5  
02 01 01 02 03  
index mark
- To rewind  
  
To fast forward
- When index mark is reached, playback automatically begins.

### Note:

- The time gap between index marks should be more than 1 minute for SP mode, 2 minutes for LP mode and 3 minutes for SLP mode.

## Time Search

To search by length of time.



• Insert a cassette tape into this unit.

- Press [SEARCH MODE] twice.
- Select the desired length of time for fast forwarding or rewinding.  
  
(1 minute~9 hours and 59 minutes)
- To rewind  
  
To fast forward
- When selected length of time is reached, playback will start automatically.

### Note for Index Search & Time Search:

- These functions are not available during recording.
- Press [STOP] to stop the search.
- If a cassette tape ends during a search, your search will be canceled and the cassette tape will rewind to the beginning.

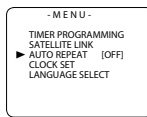


## Auto Repeat

The unit will automatically rewind the cassette tape when it has reached the end and will automatically start playback unless you press [STOP ■] or you turn off the unit.



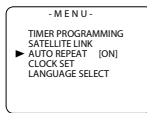
1 Press [SETUP], and choose "AUTO REPEAT".



2 Press [▶] to "AUTO REPEAT" to set "ON" or "OFF".



Press [SETUP] to exit.



### Note:

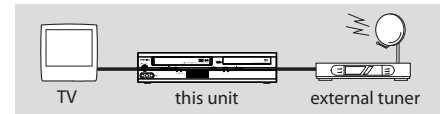
- The auto repeat function can also be set "ON" or "OFF" by pressing [REPEAT] on the remote control.
- To cancel auto repeat function, follow step 1 above. Then, press [▶] so that "OFF" appears beside "AUTO REPEAT". Press [SETUP] to exit.
- The auto repeat playback will start automatically if you select "AUTO REPEAT" to "ON" in the stop mode.

## Recording

This unit has no tuner system so it cannot receive TV broadcasts without external tuner or such devices.

### Note:

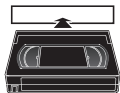
- You can also set to external tuner. Refer to "Satellite Link" on page 16.



## Recording & One-touch Timer Recording (OTR)



1 Insert a recordable cassette tape.



2 Press [INPUT SELECT] until "L1" or "L2" is displayed on the TV screen. Select "L1" to activate rear input jacks. Select "L2" to activate front input jacks.



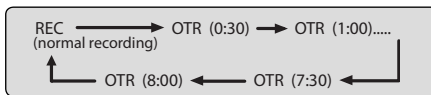
See note on the right.

3 Press [SPEED] to select the desired tape speed.



Tape speed	Recording / playback time		
Type of tape	T60	T120	T160
SP mode	1hour	2hours	2-2/3hours
SLP mode	3hours	6hours	8hours

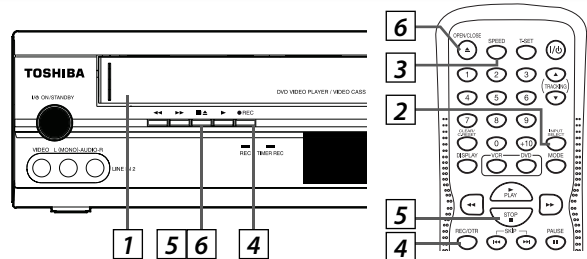
4 Press [REC/OTR] until desired recording time is selected.



5 Press [STOP ■] to stop recording.



6 Press [OPEN/CLOSE ▲] to eject the recorded cassette tape.



### To stop recording temporarily (pause mode)

Press [PAUSE ■].

- During the recording in pause mode, 5 ■ marks appear on the TV screen. Each ■ mark represents 1 minute.
- Press it again to resume recording.
- Pause mode will be automatically canceled after 5 minutes to prevent damage to the cassette tape and the video head.

### Note:

- Do not change the external tuner's channel while you are recording. You CANNOT watch one channel and record another at the same time.
- Connect your external tuner to the L1 (rear panel) jacks of the unit. Connect camcorders and other such devices to the L2 (front panel) jacks. Refer to page 11.

### Accidental Erasure Prevention

To prevent accidental recording, remove erase-protection tab of the cassette tape. To record on it later, cover the hole with adhesive tape.

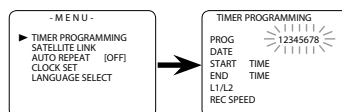
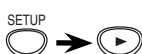


## Timer Recording



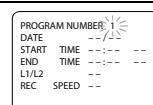
- Insert a recordable cassette tape.
- Make sure to turn on the external tuner.

1 Press [SETUP]. Select "TIMER PROGRAMMING".



Available program number flashes.

2 Select an empty program number. Then press [▶] to go to next step.





**3** Select "ONCE", "DAILY" (Mon-Fri), or "WEEKLY". Then press **[▶]** to go to next step.

PROGRAM NUMBER 1  
 ▶ ONCE  
 DAILY  
 WEEKLY

**4** Select the desired date. Then press **[▶]** to go to next step.

ONE TIME PROGRAM  
 PROGRAM NUMBER 1  
 DATE 1 0 / 0 7 TUE  
 START TIME ---:--:--  
 END TIME ---:--:--  
 L1/L2 ---  
 REC SPEED ---

• You can program the unit to record up to 8 programs, for up to a year in advance.

**5** Select the desired starting time (hour/minute). Then press **[▶]** to go to next step.

ONE TIME PROGRAM  
 PROGRAM NUMBER 1  
 DATE 1 0 / 0 7 TUE  
 START TIME 0 7 : 3 0  
 END TIME ---:--:--  
 L1/L2 ---  
 REC SPEED ---

**6** Select "AM" or "PM". Then press **[▶]** to go to next step.

ONE TIME PROGRAM  
 PROGRAM NUMBER 1  
 DATE 1 0 / 0 7 TUE  
 START TIME 0 7 : 3 0 PM  
 END TIME ---:--:--  
 L1/L2 ---  
 REC SPEED ---  
 ▶ AM  
 PM

**7** Repeat the procedure in steps 5 and 6 to set the ending time.

**8** Select "L1" or "L2". Then press **[▶]** to go to next step.

ONE TIME PROGRAM  
 PROGRAM NUMBER 1  
 DATE 1 0 / 0 7 TUE  
 START TIME 0 7 : 3 0 PM  
 END TIME 0 8 : 3 0 PM  
 L1/L2 1 1  
 REC SPEED ---

**9** Select recording speed. Then press **[SETUP]**.

ONE TIME PROGRAM  
 PROGRAM NUMBER 1  
 DATE 1 0 / 0 7 TUE  
 START TIME 0 7 : 3 0 PM  
 END TIME 0 8 : 3 0 PM  
 L1/L2 1 1  
 REC SPEED SP  
 ▶ SP  
 SLP

• To set another program after step 9, press **[▶]**. Then continue with step 2.

**10** Press **[T-SET]** to set the timer standby mode.

• TIMER REC indicator on this unit lights up and the unit goes to the DVD mode.

**Note:**

- To go back one step, press **[◀]** during steps 3 to 9.
- Select "L1" to activate rear input jacks. Select "L2" to activate front input jacks.

**To check, correct or cancel a timer program**

- 1) Press **[T-SET]** then, **[VCR]** on the remote control.
- 2) Press **[SETUP]** to call up the main menu.
- 3) Select "TIMER PROGRAMMING" by using **[▲ / ▼]**, then press **[▶]**.
- 4) Select the program number which you want to check by using **[▲ / ▼]**. The details of the program you selected will appear on the TV screen.
  - Go to the digit you want to change by using **[◀ / ▶]**. Then, enter correct numbers by using **[▲ / ▼]**.
  - You may cancel the entire program by pressing **[◀]** while the program number blinks.
- 5) Press **[SETUP]** to exit.
- 6) Press **[T-SET]** to return to the timer standby mode.

**To cancel a timer recording in progress**

Press **[■/▲ (STOP/EJECT)]** on the unit.

**Note:**

- You cannot stop a started Timer Recording with **[STOP ■]** on the remote control.

**Notes for Timer Recording & One-touch Timer Recording (OTR)**

- If a cassette tape is not in the unit or does not have the erase-protection tab, TIMER REC and "📺" indicator on this unit blinks and timer recording cannot be performed. Please insert a recordable cassette tape.
- When timer recordings are set, TIMER REC and "📺" indicator on this unit lights up. To use the VCR as usual until the time for the recording, press **[T-SET]** so that TIMER REC and "📺" indicator lights off.

**After an one-touch timer recording or a timer recording has been set, this unit operates as follows:**

- If a cassette tape runs out before an one-touch timer recording or a timer recording is finished, the unit ejects the cassette tape. Press **[T-SET]** on the remote control or **[■/▲ (STOP/EJECT)]** on the unit, then press **[VCR]** to activate the VCR function again.
- Once the unit turns to the timer standby mode, no VCR functions are available until **[T-SET]** is pressed.
- To cancel the timer standby mode, press **[T-SET]** on the remote control or **[■/▲ (STOP/EJECT)]** on the unit, then press **[VCR]** to activate the VCR function again.

**When an one-touch timer recording or a timer recording is completed...**

- If auto power off for DVD has been activated and there are timer recordings on standby, the unit turns off automatically, and TIMER REC and "📺" indicator on this unit lights to indicate the unit is in the timer standby mode.
- TIMER REC and "📺" indicator on this unit flashes if there are no more timer recordings on standby.
- If auto power off for DVD has NOT been activated, the unit goes to the DVD mode and all the VCR functions will be unavailable. All the DVD functions are available during one-touch timer recording, timer standby mode and timer recording.
- Press **[■/▲ (STOP/EJECT)]** on this unit or **[T-SET]** on the remote control to use the VCR when the unit is turned off.
- Press **[VCR/DVD]** on this unit or **[VCR]** on the remote control to use the VCR when the unit is turned on. In case timer recording is in standby mode, press **[■/▲ (STOP/EJECT)]** on this unit or **[T-SET]** on the remote control, and then press **[VCR/DVD]** on this unit or **[VCR]** on the remote control.

**If you want to use the DVD player during a timer recording or while TIMER REC and "📺" indicator on this unit is on or blinking.**

- Press **[I/O (ON/STANDBY)]** to turn on the unit. Press **[DVD]** on the remote control to choose DVD mode, then continue with the other DVD features as described in this manual.

**Note for timer recording:**

- If there is a power failure or the unit is unplugged for more than 30 seconds, clock setting and all timer programs will be lost.

Precautions

Setup

VCR Functions

DVD Functions

Information

Español

## Satellite Link

You can set the unit to start recording whenever it detects a video signal from the external tuner.

### Preparing for the Satellite Link Timer Recording:

#### Preparation on the tuner

- Satellite link accepts only the connection from L1 (rear) with the external tuner. (The connection from L2 cannot read any signals from the external tuner.)
- The external tuner should be equipped with some kind of timer function. Using timer function of the tuner, set it to output audio/video signals when it comes to the time you want to start recording, and stop output audio/video signals when it comes to the time you want to finish recording. Refer to the tuner's manual on how to set the timer.
- Make sure to turn off the tuner when you finish setting.



- 1 Press [SPEED] to select the desired tape speed.

SPEED	Tape speed		Recording / playback time		
SP	Type of tape	T60	T120	T160	
	SP mode	1hour	2hours	2-2/3hours	
	SLP mode	3hours	6hours	8hours	

- 2 In stop mode, press [SETUP].



- 3 Select "SATELLITE LINK". Then press [▶] to go to next step.



- M E N U -  
 ▶ TIMER PROGRAMMING  
 SATELLITE LINK (OFF)  
 AUTO REPEAT (OFF)  
 CLOCK SET  
 LANGUAGE SELECT

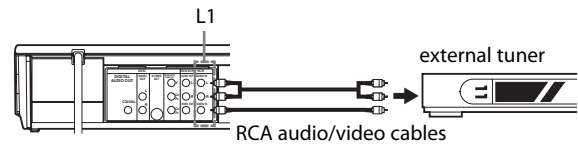
- 4 Set the desired start hour. Then press [▶] to go to next step.



SATELLITE LINK  
 ☀ 00 AM

- The hour can be selected from 1-12 with AM or PM.
- When the external tuner signal is stopped, recording will be stopped.

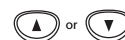
#### Preparation on this unit



#### Note:

- Please purchase the necessary cables at your local store. (Refer to page 7.)

- 5 Set the desired start minutes. If you wish to go back to the left, press [◀].



SATELLITE LINK  
 01 : 30 PM

- 6 Press [▶] to set satellite link standby mode.



SATELLITE LINK  
 01 : 30 PM  
 [ON]

- TIMER REC indicator on this unit lights up and the unit goes to the DVD mode. If you do not use DVD function, turn off the unit.
- Satellite unit must be turned on for VCR satellite link to start. If an external tuner is not set to output signals, satellite link will remain in standby mode.

#### To cancel the satellite link function in standby mode:

Press [T-SET] on the remote control or [■/▲ (STOP/EJECT)] on this unit.

#### To cancel the satellite link function while the satellite link recording is in progress:

Press [■/▲ (STOP/EJECT)] on this unit.

#### Note:

- You cannot stop the satellite link recording with [STOP ■] on the remote control.

#### Note:

- If you have not set the clock, "CLOCK SET" menu will appear at step 2. Refer to "Clock Setting" on page 12.
- You cannot set the ending time for the satellite link timer recording on this unit.
- Recording picture will be distorted if the copy protection signal is being detected during satellite link timer recording.
- When a regular timer recording and the satellite link timer recording are overlapped, those recordings are recorded as illustrated below.

e.g.) In case of the satellite link timer recording is overlapped on the existing timer recording.

timer recording	██████████
satellite link	██████████
recording result	██████████

e.g.) In case of the timer recording is programmed in the middle of the satellite link timer recording

timer recording	██████████
satellite link	██████████
recording result	██████████

e.g.) In case of the timer recording is overlapped on the existing satellite link timer recording.

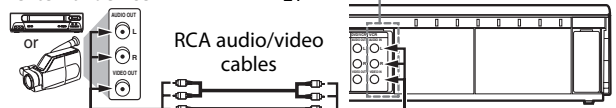
timer recording	██████████
satellite link	██████████
recording result	██████████

## Copying a Cassette Tape

**Warning:** Unauthorized recordings of copyrighted cassette tapes may be an infringement of copyright laws.

- 1) Insert a pre-recorded cassette tape into another external device for playback.
- 2) Insert a recordable cassette tape into this unit for recording.
- 3) Press [SPEED] on the remote control to select recording speed (SP or SLP).
- 4) Press [INPUT SELECT] on the remote control to select L1 or L2. Choose L1 if device is connected to rear input jacks, or L2 if connected to the front. Refer to "Front Panel" and "Rear Panel" on page 7 for more details.
- 5) Press [● REC] on the unit.
- 6) Press "PLAY" button on the external device.
- 7) To stop recording, press [■/▲ (STOP/EJECT)] on this unit, then stop playback of the external device.

output jacks of external device



You can use a video disc player, cable/satellite box or other audio/video component with audio/video output jacks.

#### Note:

- For best results during dubbing, use buttons on this unit whenever possible. The remote control might affect another device's operation.
- Always use video-quality shielded cables with RCA-type connectors. Standard audio cables are not recommended.
- L2 input jacks are on the front of this unit.
- Please purchase the necessary cables at your local store. (Refer to page 7.)



## DVD to Cassette Tape Duplication

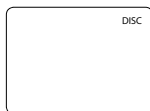
**This will be possible only if the DVD is not copy protected.**

Before you begin:

- Insert a cassette tape in the cassette compartment. Make sure the tape's record tab is intact and the tape is long enough to record the DVD.
- Insert the DVD you want to copy in the disc tray.
- Turn on the TV and set it to the correct Video In channel. (Check your TV owner's manual for details.)

**1** Press [DVD]. Press [PLAY ►] to play back the disc, then press [PAUSE ■] at the point where you want to start the recording.

**2** Press [VCR] so VCR indicator lights up on the front panel. Press [INPUT SELECT] repeatedly until "DISC" appears on the TV screen.



**3** Press [SPEED] repeatedly until the desired tape speed (SP or SLP) appears briefly on the screen. For details about tape speed, refer to page 16.

**4** Press [REC/OTR] to start recording. "REC" will appear on the display panel.

**5** Press [DVD]. Press [PLAY ►] to play back the disc.

- To pause the recording, press [VCR], then press [PAUSE ■] once. REC indicator on this unit will flash.
- To resume recording, press [REC/OTR] or press [PAUSE ■] again. REC indicator on this unit will light up again.
- To stop recording, press [VCR], then press [STOP ■].

### Note:

- A Timer Recording or Satellite Link is not available during DVD to cassette tape duplication.

## DVD FUNCTIONS

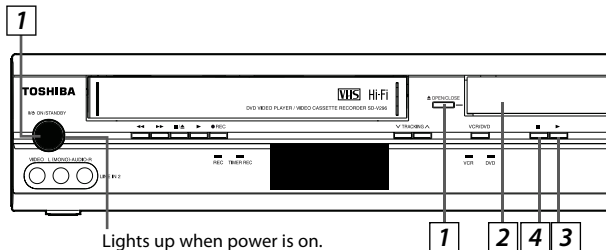
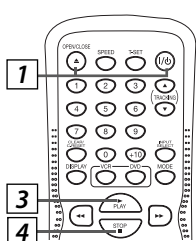
### Playback

#### Before:

Turn on the TV, amplifier and any other components which are connected to this unit. Make sure the TV and audio receiver (not supplied) are set to the correct channel.



<b>1</b>	<b>2</b> Insert a disc with label facing up.
<b>3</b> To start playback	<b>4</b> To stop playback



Lights up when power is on.

### Note:

- When you play a JPEG-format disc, details on page 19.
- "⊘" may appear at the top-right on the TV screen when the operation is prohibited by the disc or this unit.
- Some DVD may be played from title 2 or 3 due to specific programs.
- Some discs may not start playback automatically. Then, press [PLAY ►] to start playback.
- During the playback of a 2-layered disc, pictures may stop for a moment. This happens while the 1st layer is being switched to the 2nd layer. This is not a malfunction.
- You can change the on-screen language for DVD function in "PLAYER MENU" menu. Refer to page 23.

### Disc Menu



Some discs contain menus which allow you to customize DVD playback. Use [▲/▼/◀/▶] to select an item, then press [ENTER] (or [PLAY ►]).

### Calling Up a Menu Screen during Playback



- Press [MENU] to call up the disc menu.
- Press [TOP MENU] to call up the title menu.

### Note:

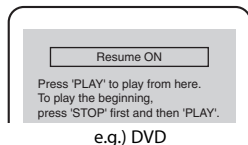
- Menu operations may vary depending on the disc. Refer to the manual accompanying the disc for details.

### Resume Playback



Press [STOP ■] during playback. Resume message will appear on the TV screen.

Press [PLAY ►], playback will resume from the point at which playback was stopped.



### Note:

- To cancel resume, press [STOP ■] one more time in the stop mode.
- For JPEG, playback will resume from the beginning of the track at which playback was stopped.
- The resume playback information stays on even when the power is turned off, as long as the disc stays in the unit.

### Paused and Step-by-Step Playback



Press [PAUSE ■] during playback. To continue playback, press [PLAY ►].



The disc goes forward by one frame each time [PAUSE ■] is pressed in the pause mode. To continue playback, press [PLAY ►].

### Note:

- For DVD, set "STILL MODE" to "FIELD" in "DISPLAY" menu if pictures in the pause mode are blurred. Refer to pages 23-24.

### To use [SKIP ◀◀ / ▶▶]



Press [SKIP ▶▶] once to skip to the next title, chapter or track. Press [SKIP ◀◀] twice (once for JPEG) in quick succession to skip back to previous title, chapter or track. For JPEG files, [◀/▶] is also available.

### Fast Forward / Reverse Search



Press [▶▶] or [◀◀] repeatedly during playback to select the required forward or reverse speed. To continue playback, press [PLAY ►].

### Note:

- For DVD, fast forward or reverse search speed is different depending on the disc. Approximate speed is 1(2x), 2(8x), 3(20x), 4(50x), 5(100x).
- For audio CD approximate speed is 1(2x), 2(8x), 3(30x).

## Slow Forward / Reverse Search



Press **[▶▶]** or **[◀◀]** repeatedly in the pause mode to select the required forward or reverse speed. To continue playback, press **[PLAY ▶]**.

### Note:

- Slow forward or reverse speed is different depending on the disc. Approximate speed is 1(1/16x), 2(1/8x), 3(1/2x).
- Set "STILL MODE" to "FIELD" in "DISPLAY" menu if pictures in the slow playback mode are blurred. Refer to pages 23-24.

## Zoom



- 1) Press **[ZOOM]** during playback.
- 2) Press **[ZOOM]** repeatedly to select the required zoom factor: 2x, 4x or off.



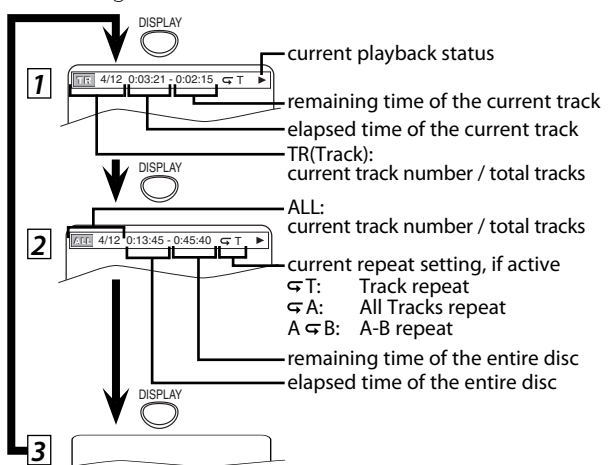
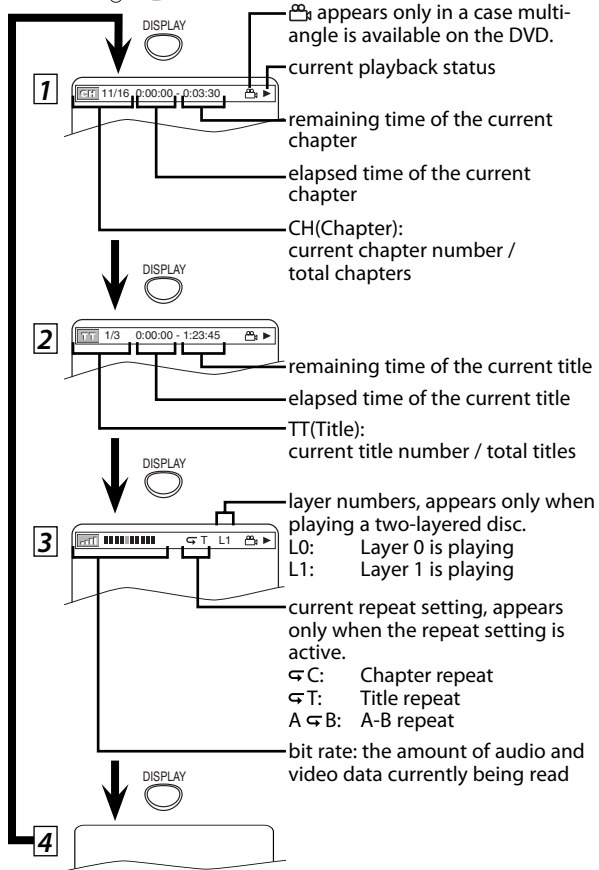
- 3) Use **[▲ / ▼ / ◀ / ▶]** to slide the zoomed picture across the TV screen.
- 4) To exit zoom mode, press **[ZOOM]** to select OFF.

### Note:

- Zoom function does not work while the disc menu is displayed.
- 4x zoom is not available on some discs.
- It may take several seconds to slide the zoomed picture.
- Only 2x zoom is available on JPEG files.
- Navigation screen is not available on JPEG.
- You cannot pan through the zoomed picture on some JPEG files.

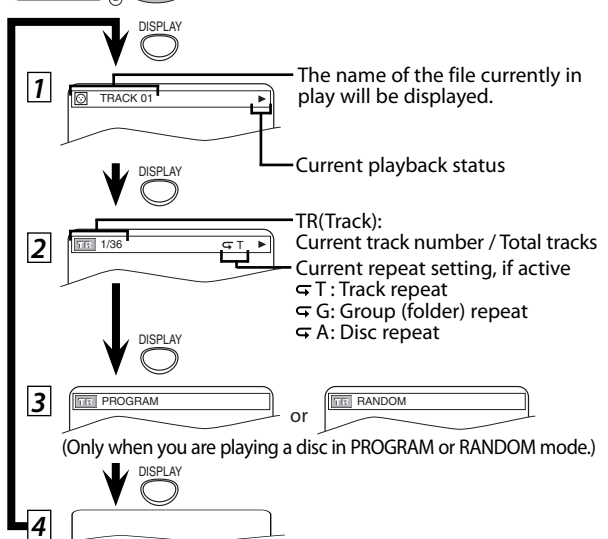
## On-Screen Display

You can check the information about the current disc by pressing **[DISPLAY]** on the remote control.



### Note:

- When you are playing a disc in program or random mode, **[PROGRAM]** (or **[RANDOM]**) will be displayed instead of **2**.



# JPEG Playback

JPEG is a method of compressing files. You can copy JPEG files on CD-RW/-Rs from the computer and play the files on this unit.



Insert a JPEG-format disc, then the file list will automatically appear on the TV screen. Press **[MENU]** when you want to call up the file list if JPEG-format disc is already inserted.

**1**

Select the desired item.

To decide

When selecting the folder:

- Press **[▶]** when you want to go to the next hierarchy.
- Press **[◀]** when you want to go back to the previous hierarchy (except for the top hierarchy).

**2**

To stop playback

Refer to "Resume Playback" on page 17.

### Note:

- Some selections may take a while to be recognized.
- Press **[TOP MENU]** to return to the first item.
- Folders are known as Groups; files are known as Tracks.
- Folders are accompanied by icon.
- JPEG files are accompanied by icon.
- A maximum of 255 folders or 999 files may be recognized in one disc.
- Up to 8 hierarchies can be recognized.

### For best results use files recorded at these specifications:

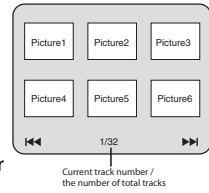
Applicable JPEG file	Remarks
<b>Normal playback</b> Upper limit: 6,300 x 5,100 pixel Lower limit: 32 x 32 pixel File size: Max. 7 MB	• A JPEG image that extends beyond the screen is reduced so that it will be displayed within the screen.

### Information on JPEG discs

- This DVD player can play back images and sounds from data recorded in JPEG formats on CD-R and CD-RW discs.
- A file with an extension of ".jpg (JPG)" or ".jpeg (JPEG)" is called a JPEG file. The DVD player can run an image file conforming to the Exif specification. Exif is a file format, Exchangeable Image File format established by Japanese Electronic Industry Development Association (JEIDA).
- Files whose extension is other than ".jpg (JPG)" or ".jpeg (JPEG)" will not be listed on the JPEG menu.
- If the file is not recorded in JPEG format, noise may be produced even if the file extension is either ".jpg (JPG)" or ".jpeg (JPEG)".
- The name of group and track can be displayed up to 25 characters. Unrecognizable characters will be replaced with asterisks. The ninth and deeper hierarchies cannot be displayed.
- Unplayable groups or tracks may be displayed depending on the recording conditions.
- If **[TOP MENU]** is pressed when a file list is displayed, the first item will be highlighted.

For some JPEG discs, JPEG menu will be displayed.

- 1) In stop mode, press **[MENU]**.
  - JPEG menu will appear.
  - If all menu items cannot be displayed on the screen scope, **"▶▶▶"** appears at the right bottom of the screen, indicating that the user can view remaining items on the next page. **"◀◀◀"** appears, it indicates that the user can view other items on the previous page. The track number of the currently highlighted item and the total tracks are shown at the center bottom of the screen.
  - If **"▶▶▶"** is shown at the right bottom, use **[SKIP ▶▶▶]** to view the next page. If **"◀◀◀"** is shown at the left bottom, use **[SKIP ◀◀◀]** to view the previous page.
  - It may take some time until all menu items are displayed on the menu screen.
- 2) Use **[▲ / ▼ / ◀ / ▶]**, select a desired track to be played back, then press **[PLAY ▶]** or **[ENTER]**.
  - If a JPEG file is selected, an image will be played back from the selected track and go to the next one in turn.
- 3) Press **[STOP ■]**, to stop playback.



### Note for JPEG:

- A track is displayed for 5 or 10 seconds and then the next track is displayed. Refer to "SLIDE SHOW" on page 26.
- During JPEG playback, press **[ANGLE ⌚]** to rotate a picture 90 degrees clockwise.
- To change the size of the playback image, press **[MODE]** twice during playback. The size change mode appears on top of the TV screen. Then press **[◀]** or **[▶]** or **[ENTER]** to switch between NORMAL (100%) and SMALL (95%).
- The size change mode may have no effect on some files (e.g. files with a small picture size).
- The default setting is NORMAL.
- Progressive JPEGs (JPEG files saved in the progressive format) will not be played back on this DVD player.
- High resolution JPEG files take longer to be displayed.

### Slide Show Mode



You can switch to the Slide Show Mode during playback.

- 1) Press **[MODE]** during playback.
  - The slide show mode screen will appear.
  - The slide show mode cannot be switched when it is stopped, or from the file list screen or JPEG menu screen.
- 2) Press **[◀]** or **[▶]** or **[ENTER]**.
  - The Slide Show Mode will change.
    - CUT IN/OUT : The entire image appears in one time.
    - FADE IN/OUT : The image appears gradually and then disappears.
- 3) Press **[MODE]** twice to exit.

# Search Functions

Search function does not work during programmed or random playback.

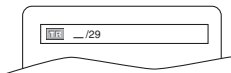
## Using Track Search



1 Press **[SEARCH MODE]**.



2 Select track number by using **[the Number buttons]** within 30 seconds.



- For the disc with less than 10 tracks, press the track number directly.
- For discs with more than 10 but less than 99 tracks, to play back single-digit track, press **[0]** first, then the track number (e.g., for track 3, press **[0], [3]**). To play back a double-digit track, press the track number.
- For discs with more than 100 tracks, to play back a single or a double-digit track, press **[0]** first, then the track number (e.g., for track 3, press **[0], [0], [3]**, and for track 26, press **[0], [2], [6]**). To play back a triple-digit track, press the track number.

## Using **[SKIP |◀◀, ▶▶|]**

1 During playback, press **[SKIP ▶▶]** to skip to next track. Press **[SKIP |◀◀]** twice (once for JPEG) in quick succession to skip to previous track.



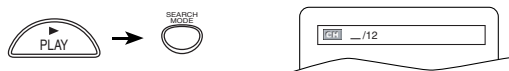
### Note:

- **[+10]** can also bring the track search display, except for the disc with less than 10 tracks. For such a disc, track search can be performed by just pressing the track number.
- Track search is not available for programmed and random playback.
- For JPEG files, **[◀/▶]** is also available.

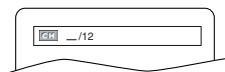
## Using Title / Chapter Search



1 Press **[SEARCH MODE]** once for the chapter search. Press **[SEARCH MODE]** twice for the title search.

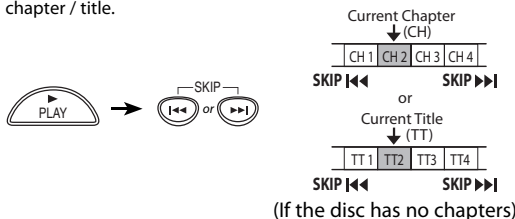


2 Select title/chapter number by using **[the Number buttons]** within 30 seconds.



## Using **[SKIP |◀◀, ▶▶|]**

1 During playback, press **[SKIP ▶▶]** to skip to next chapter / title. Press **[SKIP |◀◀]** twice in quick succession to skip to previous chapter / title.



### Note:

- Depending on the disc being played back, this function can also be performed by directly entering the desired chapter number with **[the Number buttons]**. Refer to the manual accompanying the disc.

## Using Time Search



1 Press **[SEARCH MODE]** repeatedly until the time search display appears.



2 Select a desired disc time by using **[the Number buttons]** within 30 seconds.



### Note:

- When there is no need to enter a number, "0" appears automatically. For example, "0:0:\_" appears in the time search display if the total time of the title or track is less than 10 minutes.
- Press **[CLEAR/C.RESET]** to erase the incorrect input at step 2.
- For audio CD, **[SEARCH MODE]** is not available for programmed and random playback.

## Marker Setting



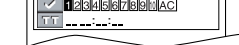
This function allows you to assign a specific point on a disc to be called back later.

### To set a marker

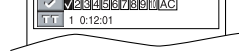
1 Press **[SEARCH MODE]** repeatedly until the marker display appears.



2 Select a marker.

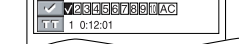


3 Press **[ENTER]**.

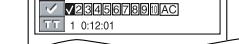
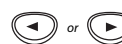


### To return to the marker later

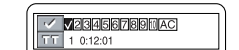
1 Press **[SEARCH MODE]** repeatedly until the marker display appears.



2 Select the marker.



3 Press **[ENTER]** at the desired marker.



### To exit the marker screen

1 Press **[RETURN]**.



### Note:

- The marker display will disappear in about 30 seconds when there is no output.
- To clear a marker, select the marker to be cleared at step 2 in the section "To set a marker" or "To return to the marker later" and then press **[CLEAR/C.RESET]**.
- Opening the disc tray or turning off the power will erase all markers.
- Selecting "AC" at step 2 in the section "To set a marker" or "To return to the marker later" will also erase all markers.
- For audio CD, **[SEARCH MODE]** is not available for programmed and random playback.

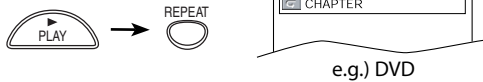
# Repeat / Random / Programmed Playback

## Repeat Playback

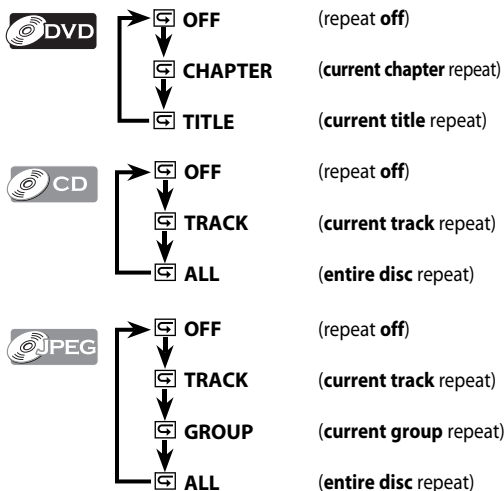


Repeat function is available only during playback.

- 1 Press **[REPEAT]** to select the desired option to repeat during playback.



Each time you press **[REPEAT]**, repeat function changes as example below.



### Note:

- Repeat setting (except "ALL") will be cleared when moving to another title, chapter or track.
- This function may not be available with some discs or during repeat A-B playback.

## Repeat A-B Playback



Repeat function is available only during playback.

- 1 Press **[A-B]** at your desired starting point (A).



- 2 Press **[A-B]** at your desired ending point (B).



- Point B should be in the same title or track as point A.

### Note:

- To exit the sequence, press **[A-B]** so that "OFF" appears.
- To cancel point A, press **[CLEAR/C.RESET]** at step 1.
- This function is not available in the other repeat modes.
- The A-B Repeat section can only be set within the current title for DVDs, or current track for Audio CDs.

## Random Playback

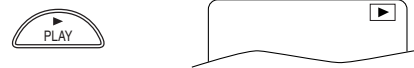


This function shuffles the playing order of tracks instead of playback in sequence.

- 1 Press **[MODE]** twice in stop mode.



- 2 Press **[PLAY ▶]** to start random playback.



### Note:

- To repeat the current track in the random mode, press **[REPEAT]** repeatedly until "TRACK" appears during playback.
- To repeat the entire random selections, press **[REPEAT]** repeatedly until "ALL" appears during playback.
- During random playback, you cannot go back to the previous track.

## Programmed Playback



You may determine the order in which tracks will play back.

- 1 Press **[MODE]** once in stop mode.



- 2 Using **[▲ / ▼]** to select desired track. Press **[ENTER]**.



- Up to 99 tracks can be programmed.
- If eight or more tracks were in a program, use **[SKIP ◀ / ▶]** to see all the tracks.
- While a JPEG folder is open:
  - Press **[▶]** when you want to go to the next hierarchy.
  - Press **[◀]** when you want to go back to the previous hierarchy (except for the top hierarchy).

- 3 Press **[PLAY ▶]** to start programmed playback.



### Note:

- Press **[CLEAR/C.RESET]** at step 2 to erase the most recently entered track.
- To erase all programmed tracks at once, select "ALL CLEAR" and press **[ENTER]** at step 2.
- While a program is being played back, **[STOP ■]** works as follows:
  - Press **[STOP ■]** and **[PLAY ▶]** next, so that the programmed playback restarts. (CD playback restarts from the current point.)
  - Press **[STOP ■]** twice and **[PLAY ▶]** next, so that playback restarts from the first track in the original order. However, your programmed playback can be restarted when you follow the above steps. (Your programs are still stored until either the disc tray is open or power is turned off.)
- To repeat the current track in the program, press **[REPEAT]** repeatedly until "TRACK" appears during playback.
- To repeat the entire program, press **[REPEAT]** repeatedly until "ALL" appears during playback.



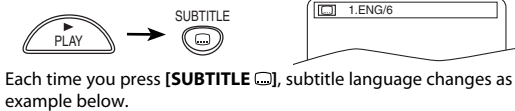
# Special Settings

## Subtitle Language

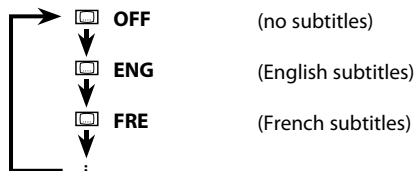


This unit allows you to select a subtitle language (if available) during DVD playback.

- 1 Press [SUBTITLE] during playback.

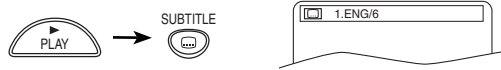


Each time you press [SUBTITLE], subtitle language changes as example below.

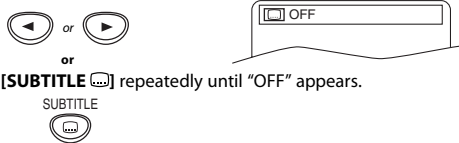


### To cancel subtitle

- 1 Press [SUBTITLE] during playback.



- 2 Use [LEFT] or [RIGHT] to set subtitle to "OFF".



Press [SUBTITLE] repeatedly until "OFF" appears.

### Note:

- If your language is not shown after pressing [SUBTITLE] several times, the disc may not have that language. However, some discs have the subtitle language setting on the disc menu. (Operation varies depending on the discs, so refer to the manual along with the disc.)
- When "NOT AVAILABLE" appears on the TV screen, it means no subtitle is recorded on the scene.
- If you choose a language that has a 3-letter language code, the code will be displayed every time you change the subtitle language setting. If you choose any other languages, "-" will be displayed instead. Refer to page 28.
- Some discs will only allow you to change the subtitle from the disc menu. Refer to the manual accompanying the discs for details.

## Audio Language



This unit allows you to select an audio language (if multiple languages are available) during DVD playback.

- 1 Press [AUDIO] to change audio language.



Each time you press [AUDIO], the audio language changes as example below.



### Note:

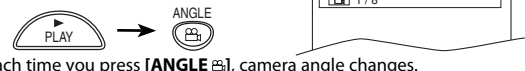
- If your language is not shown after pressing [AUDIO] several times, the disc may not have that language. However, some discs allow audio language setting on the disc menu. (Operation varies depending on the disc, so refer to the manual along with the disc.)
- When "OFF" appears on the TV screen, it means audio language is not available.
- Some discs will only allow you to change the audio setting from the disc menu. Refer to the manual accompanying the discs for details.

## Camera Angles



Some DVD may contain scenes which have been shot simultaneously from various angles. You can change the camera angle if [ANGLE] appears on the TV screen. If the "ANGLE ICON" is set to "OFF" in "OTHERS" menu, [ANGLE] will not appear. Refer to pages 23-26.

- 1 Press [ANGLE] during playback.



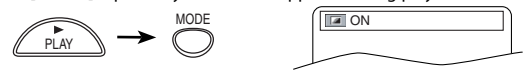
Each time you press [ANGLE], camera angle changes.

## Black Level Setting



Adjust the black level to make the dark areas of the TV picture brighter.

- 1 Press [MODE] repeatedly until "ON" appears during playback.

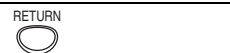


- 2 Press [ENTER] to adjust the black level.



ON: makes the dark areas brighter.  
OFF: shows the original picture as recorded.

- 3 Press [RETURN] to exit.



### Note:

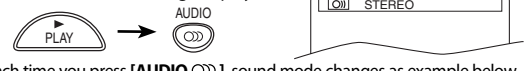
- When the Black Level Setting is set to "ON", the black area of the image may appear to be dark green.

## Stereo Sound Mode

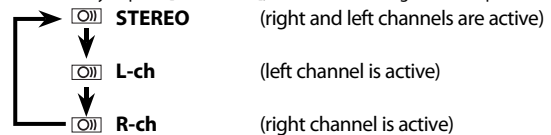


This unit allows you to select a sound mode during CD playback.

- 1 Press [AUDIO] during CD playback.



Each time you press [AUDIO], sound mode changes as example below.



### Note:

- The STEREO can only be output when playing back DTS CD.

## Virtual Surround



You can enjoy stereophonic virtual world on your existing 2 channel stereo system.

- 1 Press [MODE] repeatedly until "OFF" appears.

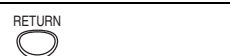


- 2 Press [ENTER] for the desired effect.



1: natural effect  
2: emphasized effect  
OFF: no effects (original sound)

- 3 Press [RETURN] to exit.



### Note:

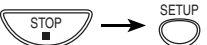

- For audio CD, virtual surround will not be effective if the sound mode is set to something other than "STEREO". Refer to "Stereo Sound Mode".
- For DVD when playing back 96kHz with virtual surround function, the sound will be down sampled to 48kHz.



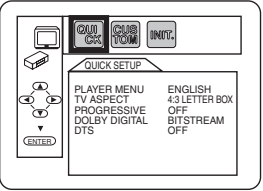
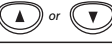
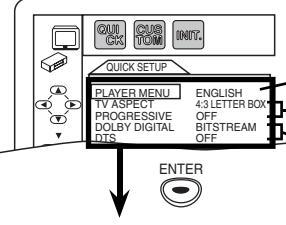
# DVD Setting

## QUICK Menu


You can select "PLAYER MENU", "TV ASPECT", "PROGRESSIVE", "DOLBY DIGITAL" or "DTS" from "QUICK" menu quickly.

- Press **[SETUP]** in the stop mode.
  → 

SETUP menu  
Confirm that "QUICK" is selected.


- Select the desired item.
 


Page 23 **A** Step 5  
Page 24 **B** Step 5  
Page 24 **C** Step 5

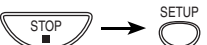

ENTER 

• Refer to the sections "PLAYER MENU", "TV ASPECT", "PROGRESSIVE", "DOLBY DIGITAL" or "DTS" section on page 23 or 24.

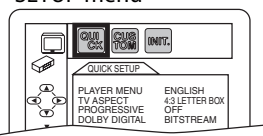

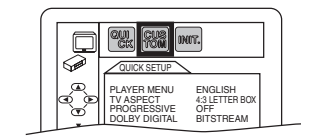
## CUSTOM Menu


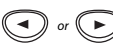

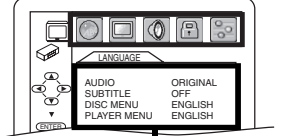
You can change the settings of the unit.

- QUICK** on pages 23-24 indicates DVD setting menus also accessible from "QUICK" menu.

- Press **[SETUP]** in the stop mode.
  → 

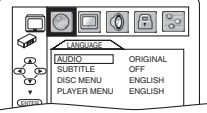
SETUP menu


- Select "CUSTOM".
 


ENTER 
- Select the desired item.
  → 


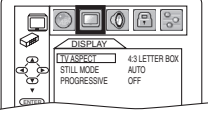
↓

LANGUAGE menu



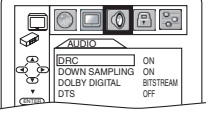
page 23 **A**

DISPLAY menu



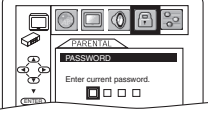
page 24 **B**

AUDIO menu



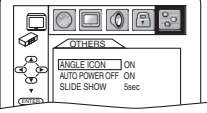
page 24 **C**

PARENTAL menu



page 25 **D**


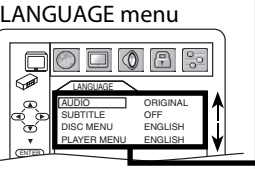
OTHERS menu


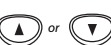
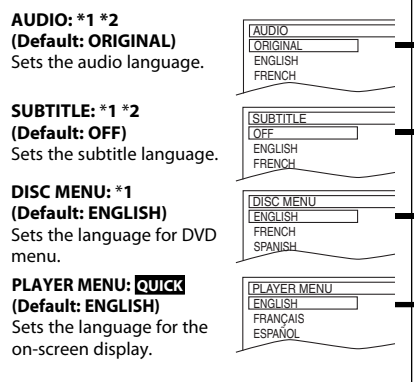




page 26 **E**

## A LANGUAGE Setting

Follow steps 1 to 3 in the "CUSTOM Menu" section above.

- Select the desired item.
 


ENTER 
- Select the desired language.
 


ENTER 
- To exit the menu
 

**Note:**

**\*1**

- Language options are not available with some discs.
- If "OTHER" is selected on "AUDIO", "SUBTITLE" or "DISC MENU" screen, press 4-digit number to enter the code for the desired language. Refer to the "Language Code List" on page 28.
- Only the languages supported by the disc can be selected.

**\*2**

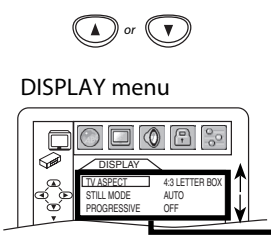
- "LANGUAGE" setting for "AUDIO" and "SUBTITLE" are not available with some discs. Then use **[AUDIO ⓧ]** and **[SUBTITLE ⓧ]**. Refer to page 22.

EN

## B DISPLAY Setting

You can change the display functions. Follow steps 1 to 3 in the "CUSTOM Menu" section on page 23.

**4** Select the desired item.



**Note:**  
**PROGRESSIVE:**

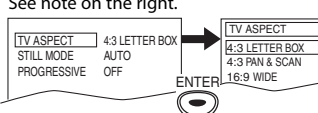
- You can set "PROGRESSIVE" to "OFF" in "DISPLAY" menu or press and hold [▶ (PLAY)] on this unit on the DVD side for more than 5 seconds during playback until "P. SCAN" disappears on the DVD player's display.
- When "PROGRESSIVE" is "ON", "P. SCAN" appears on the DVD player's display after you exit the setup screen.

**Note:**

- In "QUICK" menu, "PLAYER MENU", "TV ASPECT", "PROGRESSIVE" or "DOLBY DIGITAL" are available. "QUICK" menu consists of the setting menu frequently used, and they are accompanied with **QUICK**. You can make all settings in "CUSTOM" menu.

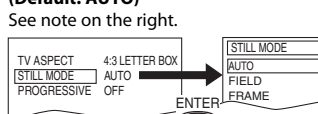
**5**

**TV ASPECT: QUICK (Default: 4:3 LETTER BOX)**  
See note on the right.



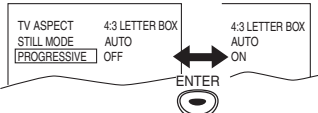
Select the desired setting.

**STILL MODE: (Default: AUTO)**  
See note on the right.

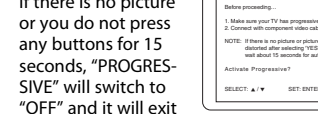


Select the desired setting.


**PROGRESSIVE: QUICK (Default: OFF)**  
See note on the left.



If there is no picture or you do not press any buttons for 15 seconds, "PROGRESSIVE" will switch to "OFF" and it will exit "SETUP" menu.

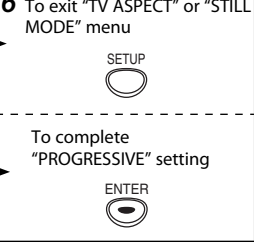


Select "YES".

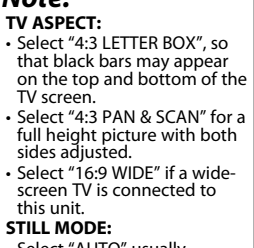


Select "YES".

**6** To exit "TV ASPECT" or "STILL MODE" menu



To complete "PROGRESSIVE" setting



**Note:**  
**TV ASPECT:**

- Select "4:3 LETTER BOX", so that black bars may appear on the top and bottom of the TV screen.
- Select "4:3 PAN & SCAN" for a full height picture with both sides adjusted.
- Select "16:9 WIDE" if a wide-screen TV is connected to this unit.

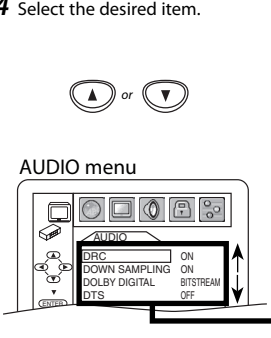
**STILL MODE:**

- Select "AUTO" usually.
- If you select "AUTO", it automatically selects the best resolution setting ("FRAME" or "FIELD") based on the data characteristics of the pictures. (default)
- If you select "FIELD", the picture in the still mode will be stabilized.
- If you select "FRAME", the picture in the still mode will be highly defined.
- An individual picture on the TV screen is called a "frame", which consists of two separate images called as "field".
- Some pictures may be blurred if you select "AUTO" in the still mode due to their data characteristics.

## C AUDIO Setting

Choose the appropriate audio setting for your device. It only affects during the playback of DVD discs. Follow steps 1 to 3 in the "CUSTOM Menu" section on page 23.

**4** Select the desired item.

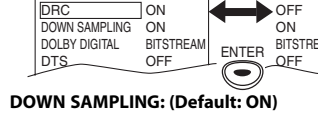


**Note:**

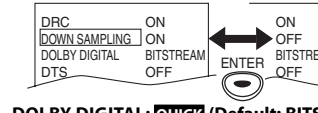
- In "QUICK" menu, "PLAYER MENU", "TV ASPECT", "PROGRESSIVE" or "DOLBY DIGITAL" are available. "QUICK" menu consists of the setting menu frequently used, and they are accompanied with **QUICK**. You can make all settings in "CUSTOM" menu.

**5**

**DRC (Dynamic Range Control): (Default: ON)**  
Set to "ON" to compress the range between soft and loud sounds.

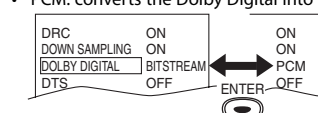


**DOWN SAMPLING: (Default: ON)**  
Set to "ON" when outputting in 48kHz. Set to "OFF" when outputting the original sound.




**DOLBY DIGITAL: QUICK (Default: BITSTREAM)**  
Set to "BITSTREAM" when the unit is connected to a Dolby Digital decoder.


- BITSTREAM: outputs Dolby Digital signals.
- PCM: converts the Dolby Digital into PCM (2 channel).



**DTS: QUICK (Default: OFF)**  
Set to "BITSTREAM" when the unit is connected to a DTS decoder.



**6** To exit the menu



**Note:**  
**DRC:**

- This function is available only on the discs which are recorded in the Dolby Digital format.

**DOWN SAMPLING:**

- When playing disc with copyright protection, the sound will be down sampled at 48kHz, even if you set to "OFF".
- This function is available only on digital outputting of a disc recorded in 96kHz.

## D PARENTAL Setting

This function prevents unit from playing material inappropriate for children.

### Parental Levels

Parental level allows you to set the rating levels of your DVD software. Playback will stop if the ratings exceed the levels you set. Follow steps 1 to 3 in the "CUSTOM Menu" section on page 23.

**4** Enter your desired 4-digit password (except for 4737).

**5** Select "PARENTAL LEVEL".

**6** Select the desired level.

**7** To exit the menu

**CONTROL LEVELS**

- ALL: all parental locks are canceled.
- Level 8: DVD software of any grades (adult/general/children) can be played back.
- Levels 7 to 2: only DVD software intended for general use and children can be played back.
- Level 1: only DVD software intended for children can be played back, with those intended for adult and general use prohibited.

**TIPS FOR LEVELS**

- 8: DVD software of any grades (adult/general/children) can be played back.
- 7 [NC-17]: no one under 17 admitted
- 6 [R]: restricted; under 17 requires accompanying parent or adult guardian
- 5: parental guidance recommended
- 4 [PG13]: unsuitable for children under 13
- 3 [PG]: parental guidance suggested
- 2: general audience
- 1 [G]: suitable for children

**Note:**

- Some DVD-video may not respond to "PARENTAL" setting. Make sure this function works with your DVD-video.
- If there is a DVD disc inside of this unit when you set up the parental control, press [OPEN/CLOSE ▲] to activate the parental control level.
- The resume information will be cleared if you change the parental level when the resume information is on.

**PARENTAL menu**

Please enter a 4-digit password.

Or

If you have set a password already, enter the current 4-digit password.

Enter current password.

### To Change the Password for Parental Controls

You can change your password for parental controls. Follow steps 1 to 3 in the "CUSTOM Menu" section on page 23.

**4** Enter current 4-digit password.

**5** Select "PASSWORD CHANGE".

**6** Enter your new 4-digit password (except for 4737).

**7** To exit the menu

**Note:**

- Record the password in case you forget it.
- If you forget the password, press [4], [7], [3], [7] at step 4, then enter your new password. Password will be cleared and parental levels will be set to "ALL".

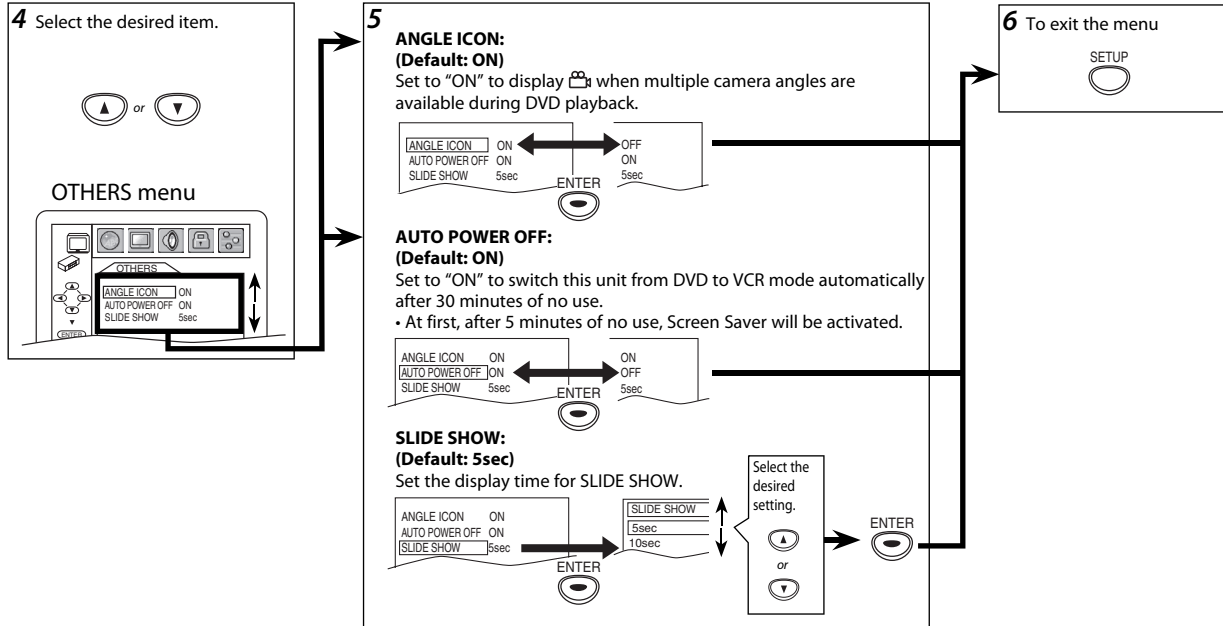
**PARENTAL menu**

Enter current password.

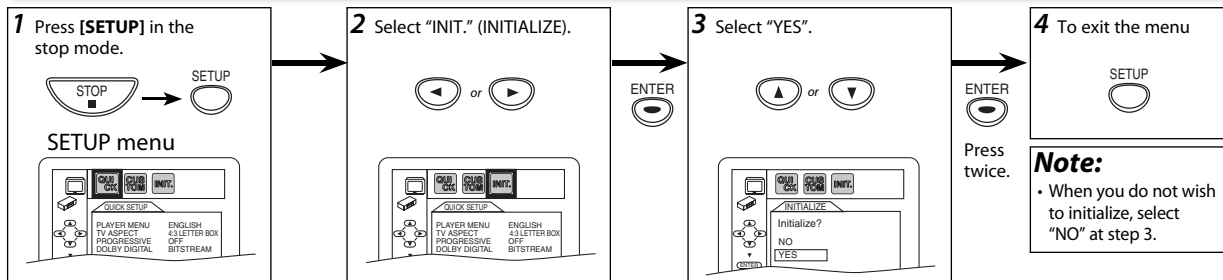
Enter your new 4-digit password.

## E OTHERS Setting

You can change the other functions. Follow steps 1 to 3 in the "CUSTOM Menu" section on page 23.



## Reset to the Default Setting (Except for PARENTAL Setting)





# INFORMATION

## Troubleshooting

If this unit does not perform properly when operated as instructed in this manual. Refer to the following:

	Symptom	Remedy
DVD / VCR	No power.	<ul style="list-style-type: none"> <li>• Make sure the power plug is connected to an AC outlet.</li> <li>• Make sure the power is turned on.</li> </ul>
	The unit switches from DVD mode to VCR mode after 30 minutes of no activity.	<ul style="list-style-type: none"> <li>• When "AUTO POWER OFF" is set to "ON", the unit switches itself from DVD mode to VCR mode if disc playback stops for more than 30 minutes and you press no buttons on the remote or the unit.</li> </ul>
	This unit does not respond to the remote control.	<ul style="list-style-type: none"> <li>• Check if the power plug is connected to an AC outlet.</li> <li>• Check the batteries in the remote control.</li> <li>• Aim the remote control directly at the infrared sensor window. If necessary, remove all the obstacles between the sensor and the remote control.</li> <li>• You have to be within 23 feet (7m) of this unit.</li> <li>• Check if a cassette tape is in this unit.</li> <li>• Tune your radio to an empty AM station so that you hear a lot of static. Turn up the volume, then if you hear some signal sound from the radio in response to your pressing buttons on the remote control, the remote control is working.</li> <li>• Press and hold any button on remote control toward a digital camera. The remote control is working if you confirm infrared light through the digital camera.</li> </ul>
	Poor picture or noise.	<ul style="list-style-type: none"> <li>• Interference signal may be received. Change the position and direction of the unit.</li> </ul>
VCR	VCR function does not work.	<ul style="list-style-type: none"> <li>• Press <b>[VCR/DVD]</b> on this unit or <b>[VCR]</b> on the remote control to light up the VCR indicator.</li> </ul>
	Cannot record a TV program.	<ul style="list-style-type: none"> <li>• This unit does not have a tuner to receive TV broadcasting.</li> <li>• You must connect this unit to TV with audio/video output jacks or an external tuner to record TV programs. Refer to "Recording &amp; One-touch Timer Recording (OTR)" on page 14 and "Satellite Link" on page 16.</li> </ul>
	Timer recording is impossible.	<ul style="list-style-type: none"> <li>• Make sure the timer program is set correctly.</li> <li>• Make sure TIMER REC indicator on this unit lights up. If not, press <b>[T-SET]</b>.</li> <li>• Make sure the VCR clock is set correctly.</li> </ul>
	Cannot go into record mode.	<ul style="list-style-type: none"> <li>• Make sure the cassette tape has a record tab. If needed, cover the hole with adhesive tape.</li> <li>• Activate this unit in VCR mode. Press <b>[VCR]</b> on the remote control so that the VCR indicator will illuminate.</li> </ul>
	Playback picture is partially noisy.	<ul style="list-style-type: none"> <li>• Adjust tracking control for a better picture by pressing <b>[TRACKING √ / ∨]</b> on the unit or <b>[TRACKING ▲ / ▼]</b> on the remote control.</li> </ul>
	Cannot view a picture but the audio is OK.	<ul style="list-style-type: none"> <li>• Head cleaning may be necessary. Refer to "Auto Head Cleaning".</li> <li>• Make sure the VCR is not in the VCR menu mode.</li> </ul>
	No or poor, playback picture.	<ul style="list-style-type: none"> <li>• Fine tune your TV.</li> </ul>
	Video or color fades in and out when making a copy of a cassette tape.	<ul style="list-style-type: none"> <li>• You cannot copy a copyrighted cassette tape.</li> </ul>
Cannot remove the cassette tape.	<ul style="list-style-type: none"> <li>• Check if this unit is in the VCR mode. If not, press <b>[VCR]</b> on the remote control to switch the mode.</li> </ul>	
DVD	DVD function does not work.	<ul style="list-style-type: none"> <li>• Press <b>[VCR/DVD]</b> on this unit or <b>[DVD]</b> on the remote control to light up the DVD indicator.</li> </ul>
	No picture.	<ul style="list-style-type: none"> <li>• Connect the video cable firmly.</li> <li>• Insert a correct video disc that can be played back on this unit.</li> <li>• Press <b>[DVD]</b> on the remote control. Check if the DVD indicator illuminates. Then try other DVD features.</li> <li>• Set "PROGRESSIVE" correctly in "DISPLAY" menu. Turn it on only if your TV has progressive scan and you are using the component video connections between the unit and the TV. Disable progressive scan for all other connections. Refer to page 10.</li> </ul>
	Disc cannot be played back.	<ul style="list-style-type: none"> <li>• Insert the disc.</li> <li>• Clean the disc.</li> <li>• Place the disc correctly with the label side up.</li> <li>• Check if the disc is defective by trying another disc.</li> <li>• Cancel the parental lock or change the control levels.</li> <li>• Handle a disc with special care so that it does not have fingerprints, scratches, or dusts on its surface.</li> </ul>
	No sound.	<ul style="list-style-type: none"> <li>• Adjust the volume.</li> <li>• Check that the speakers are connected correctly.</li> <li>• Connect the audio cables firmly.</li> <li>• Turn on the power of the audio component.</li> <li>• Check the VIDEO/AUDIO cable connections to the TV. (See "Connection to a TV".)</li> <li>• Correct the input settings on the audio component.</li> </ul>
	No DTS audio is output.	<ul style="list-style-type: none"> <li>• Use a DIGITAL AUDIO OUT jack when outputting the DTS audio.</li> </ul>
	Distorted picture.	<ul style="list-style-type: none"> <li>• Connect this unit directly to the TV.</li> <li>• There are some cases where pictures may be slightly distorted, and those are not a sign of a malfunction.</li> <li>• Although pictures may stop for a moment, this is not a malfunction. Refer to page 17.</li> <li>• Set PROGRESSIVE correctly. Turn it on only if your TV has Progressive Scan and you are using the Component Video connections between the unit and the TV. Disable Progressive Scan for all other connections. (See page 10)</li> </ul>
	Audio or subtitle language does not match the setting.	<ul style="list-style-type: none"> <li>• The selected language is not available for audio or subtitles on the DVD.</li> <li>- This is not a malfunction.</li> </ul>
	The camera angle cannot be changed.	<ul style="list-style-type: none"> <li>• The angle cannot be switched for DVDs which do not contain multiple angles. In some cases multiple angles are only recorded for specific scenes.</li> <li>- This is not a malfunction.</li> </ul>
	Audio or subtitle language cannot be changed.	<ul style="list-style-type: none"> <li>• The DVD does not contain audio source or subtitles in the selected language.</li> <li>- This is not a malfunction.</li> </ul>

Precautions

Setup

VCR Functions

DVD Functions

Information

Español





	Symptom	Remedy
<b>DVD</b>	"Ⓞ" appears on the TV screen, prohibiting an operation.	• That operation is prohibited by this unit or the disc. - This is not a malfunction.
	Completely distorted picture or black/white picture with DVD	• Connect the unit directly to the TV. • Make sure the disc is compatible with the unit. • Check if the PROGRESSIVE mode is set correctly. (See pages 23-24.)
	No audio at digital output	• Check the digital connections. • Check if the audio format of the selected audio language matches your receiver capabilities.
	Picture freezes momentarily during playback.	• Check the disc for finger prints/scratches and clean with a soft cloth wiping from center to edge.
	No return to start-up screen when disc is removed.	• Reset the unit by switching the unit off, then on again.
	Buttons do not work or the unit stops responding.	• To completely reset the unit, unplug the AC cord from the AC outlet for 5-10 seconds.
	The unit does not respond to some operating commands during playback.	• Operations may not be permitted by the disc. Refer to the instructions of the disc.
	The unit cannot read CDs / DVDs.	• Use a commonly available cleaning CD / DVD to clean the lens before sending the unit for repair.
	Playback does not start when the title is selected.	• Check the "PARENTAL" setting.
	The password for rating level has been forgotten.	• Enter the default password "4737", then your forgotten password will be cleared.

- Some functions are not available in specific modes, but this is not a malfunction. Read the description in this manual for details on correct operations.
- Playback from a desired track and random playback are not available during programmed playback.
- Some functions are prohibited on some discs.

## Specifications

Video heads :

4-heads

Output signal format :

NTSC color

Power source :

120 V AC +/- 10%, 60 Hz +/- 0.5%

Power consumption :

21W (standby : 3.8W)

Operating temperature :

41°F (5°C) to 104°F (40°C)

Dimensions :

W : 17 3/16" (435mm)

H : 3 3/4" (94mm)

D : 9 3/16" (233mm)

Weight :

Approx 5.95 lbs (2.7kg)

• Designs and specifications are subject to change without notice.

• If there is a discrepancy between languages, the default language will be English.

## Language Code List

Language	Code	Language	Code	Language	Code	Language	Code
Abkhazian	<b>A-B</b> 4748	French [FRE]	5264	Macedonian	5957	Siswat	6565
Afar	4747	Frisian	5271	Malagasy	5953	Slovak [SLO]	6557
Afrikaans	4752	Galician	5358	Malay	5965	Slovenian	6558
Albanian	6563	Georgian	5747	Malayalam	5958	Somali	6561
Amharic	4759	German [GER]	5051	Maltese	5966	Spanish [SPA]	5165
Arabic	4764	Greek [GRE]	5158	Maori	5955	Sundanese	6567
Armenian	5471	Greenlandic	5758	Marathi	5964	Swahili	6569
Assamese	4765	Guarani	5360	Moldavian	5961	Swedish [SWE]	6568
Aymara	4771	Gujarati	5367	Mongolian	5960		
Azerbaijani	4772	Hausa	5447	Nauru	6047	Tagalog	<b>T</b> 6658
Bashkir	4847	Hebrew	5569	Nepali	6051	Tajik	6653
Basque	5167	Hindi	5455	Norwegian [NOR]	6061	Tamil	6647
Bengali; Bangla	4860	Hungarian [HUN]	5467			Tatar	6666
Bhutani	5072			<b>O-R</b>		Telugu	6651
Bihari	4854	<b>I-K</b>		Occitan	6149	Thai	6654
Bislama	4855	Icelandic [ICE]	5565	Oriya	6164	Tibetan	4861
Breton	4864	Indonesian	5560	Oromo(Afan)	6159	Tigrinya	6655
Bulgarian [BUL]	4853	Interlingua	5547	Panjabi	6247	Tonga	6661
Burmese	5971	Interlingue	5551	Pashto; Pushto	6265	Tsonga	6665
Byelorussian	4851	Inupiak	5557	Persian	5247	Turkish [TUR]	6664
		Irish [IRI]	5347	Polish [POL]	6258	Turkmen	6657
		Italian [ITA]	5566	Portuguese [POR]	6266	Twí	6669
		Japanese [JPN]	5647	Quechua	6367		
		Javanese	5669	Rhaeto-Romance	6459	<b>U-Z</b>	
		Kannada	5760	Romanian [RUM]	6461	Ukrainian	6757
		Kashmiri	5765	Russian [RUS]	6467	Urdu	6764
		Kazakh	5757			Uzbek	6772
		Kinyarwanda	6469	<b>S</b>		Vietnamese	6855
		Kirghiz	5771	Samoan	6559	Volapuk	6861
		Kirundi	6460	Sangho	6553	Welsh	4971
		Korean [KOR]	5761	Sanskrit	6547	Wolof	6961
		Kurdish	5767	Scots Gaelic	5350	Xhosa	7054
				Serbian	6564	Yiddish	6555
		<b>L-N</b>		Serbo-Croatian	6554	Yoruba	7161
		Laothian	5861	Sesotho	6566	Zulu	7267
		Latin	5847	Setswana	6660		
		Latvian; Lettish	5868	Shona	6560		
		Lingala	5860	Sindhi	6550		
		Lithuanian	5866	Singhalese	6555		

If you choose a Language that has a 3-letter language code, the code will be displayed every time you change the audio or subtitle language setting on page 23. If you choose any other languages, "--" will be displayed instead. (3-letter language code is written in bracket.)





# LIMITED WARRANTY

## Limited United States Warranty Digital Audio Video ("DAV") Product - Exchange Warranty

Toshiba America Consumer Products, L.L.C. ("TACP") makes the following limited warranties to original consumers in the United States. THESE LIMITED WARRANTIES EXTEND TO THE ORIGINAL CONSUMER PURCHASER OR ANY PERSON RECEIVING THIS DAV PRODUCT AS A GIFT FROM THE ORIGINAL CONSUMER PURCHASER AND TO NO OTHER PURCHASER OR TRANSFEREE.

DAV PRODUCTS PURCHASED IN THE U.S.A. AND USED ANYWHERE OUTSIDE OF THE U.S.A., INCLUDING, WITHOUT LIMITATION, CANADA AND MEXICO, ARE NOT COVERED BY THESE WARRANTIES.

DAV PRODUCTS PURCHASED ANYWHERE OUTSIDE OF THE U.S.A., INCLUDING, WITHOUT LIMITATION, CANADA AND MEXICO, AND USED IN THE U.S.A., ARE NOT COVERED BY THESE WARRANTIES.

### Limited Warranty

TACP warrants this DAV Product and its parts against defects in materials or workmanship for a period of ninety (90) days after the date of original retail purchase.

DURING THIS PERIOD, TACP WILL EXCHANGE A DEFECTIVE DAV PRODUCT WITH A NEW OR REFURBISHED DAV PRODUCT WITHOUT CHARGE TO YOU. DURING THE PERIOD THAT COMMENCES ON THE DATE THAT IS NINETY ONE (91) DAYS AFTER THE DATE OF ORIGINAL RETAIL PURCHASE AND ENDS ON THE DATE THAT IS THREE HUNDRED SIXTY FIVE (365) DAYS AFTER THE DATE OF ORIGINAL RETAIL PURCHASE, TACP WILL EXCHANGE A DEFECTIVE DAV PRODUCT WITH A NEW OR REFURBISHED DAV PRODUCT FOR A FEE.

### Rental Units

The warranty for DAV Product rental units begins on the date of the first rental or thirty (30) days after the date of shipment to the rental firm, whichever comes first.

### Commercial Units

DAV Products sold and used for commercial purposes have a limited warranty for all parts and labor, which warranty begins on the date of original retail purchase and ends on the date that is ninety (90) days thereafter.

### Owner's Manual and Product Registration Card

Read this owner's manual thoroughly before operating this DAV Product.

Complete and mail the enclosed product registration card or register your DAV Product on-line at [www.tacp.toshiba.com/service](http://www.tacp.toshiba.com/service) as soon as possible. By registering your DAV Product you will enable TACP to bring you new products specifically designed to meet your needs and help us to contact you in the unlikely event a safety notification is required under the U.S. Consumer Product Safety Act. Failure to complete and return the product registration card does not diminish your warranty rights.

### Your Responsibility

THE ABOVE WARRANTIES ARE SUBJECT TO THE FOLLOWING CONDITIONS:

- (1) You must retain your bill of sale or provide other proof of purchase.
- (2) All warranty servicing of this DAV Product must be made pursuant to the TACP DAV Product Warranty Exchange Program.
- (3) The warranties from TACP are effective only if the DAV Product is purchased and operated in the Continental U.S.A. or Puerto Rico.
- (4) Labor service charges for set installation, setup, adjustment of customer controls, and installation or repair of antenna systems are not covered by this warranty. Reception problems caused by inadequate antenna systems are your responsibility.
- (5) Warranties extend only to defects in materials or workmanship as limited above, and do not extend to any DAV Product or parts that have been lost or discarded by you or to damage to the DAV Product or parts caused by fires, misuse, accident, Acts of God (such as lightning or fluctuations in electric power), improper installation, improper maintenance, or use in violation of instructions furnished by TACP; use or malfunction through simultaneous use of this DAV Product and connected equipment; or to units that have been modified or had the serial number removed, altered, defaced, or rendered illegible.

### How to Obtain Warranty Services

If, after following all of the operating instructions in this manual and checking the section "Troubleshooting," you find that service is needed:

- (1) For instructions on how to obtain warranty service for your DAV Product under the TACP DAV Product Warranty Exchange Program, contact TACP's Consumer Solutions Center toll free at 1-800-631-3811.
- (2) You must include the original bill of sale (or a copy of the original bill of sale) or other proof of purchase along with the entire DAV Product when sending the DAV Product to the TACP Warranty Exchange Center specified by TACP's Consumer Solutions Center. You are responsible for all inbound transportation and insurance charges for the DAV Product to the TACP Warranty Exchange Center.

For additional information, visit TACP's website: [www.tacp.toshiba.com](http://www.tacp.toshiba.com)

**ALL WARRANTIES IMPLIED BY THE LAW OF ANY STATE OF THE U. S.A., INCLUDING THE IMPLIED WARRANTIES OF MERCHANTABILITY AND FITNESS FOR A PARTICULAR PURPOSE, ARE EXPRESSLY LIMITED TO THE DURATION OF THE LIMITED WARRANTIES SET FORTH ABOVE. WITH THE EXCEPTION OF ANY WARRANTIES IMPLIED BY THE LAW OF ANY STATE OF THE U.S.A. AS HEREBY LIMITED, THE FOREGOING WARRANTY IS EXCLUSIVE AND IN LIEU OF ALL OTHER WARRANTIES, GUARANTEES, AGREEMENTS, AND SIMILAR OBLIGATIONS OF TACP WITH RESPECT TO THE REPAIR OR REPLACEMENT OF ANY PARTS. IN NO EVENT SHALL TACP BE LIABLE FOR CONSEQUENTIAL OR INCIDENTAL DAMAGES (INCLUDING, BUT NOT LIMITED TO, LOST PROFITS, BUSINESS INTERRUPTION, OR MODIFICATION OR ERASURE OF RECORDED DATA CAUSED BY USE, MISUSE OR INABILITY TO USE THIS DAV PRODUCT).**

No person, agent, distributor, dealer, or company is authorized to change, modify, or extend the terms of these warranties in any manner whatsoever. The time within which an action must be commenced to enforce any obligation of TACP arising under the warranty or under any statute or law of the United States or any state thereof is hereby limited to ninety (90) days from the date you discover, or should have discovered, the defect. This limitation does not apply to implied warranties arising under state law.

**THIS WARRANTY GIVES YOU SPECIFIC LEGAL RIGHTS AND YOU MAY ALSO HAVE OTHER RIGHTS WHICH MAY VARY FROM STATE TO STATE IN THE U.S.A. SOME STATES OF THE U.S.A. DO NOT ALLOW LIMITATIONS ON HOW LONG AN IMPLIED WARRANTY LASTS, WHEN AN ACTION MAY BE BROUGHT, OR THE EXCLUSION OR LIMITATION OF INCIDENTAL OR CONSEQUENTIAL DAMAGES, SO THE ABOVE PROVISIONS MAY NOT APPLY TO YOU UNDER SUCH CIRCUMSTANCES.**

## Limited Canadian Warranty For Toshiba Brand Digital Audio/Video Products

Toshiba of Canada Limited ("TCL") makes the following limited warranties to original consumers in Canada. **THESE LIMITED WARRANTIES EXTEND TO THE ORIGINAL CONSUMER PURCHASER OR ANY PERSON RECEIVING THIS TOSHIBA BRAND DIGITAL AUDIO/VIDEO PRODUCT (the "DAV PRODUCT(S)" or "DAV Product(s)") AS A GIFT FROM THE ORIGINAL CONSUMER PURCHASER AND TO NO OTHER PURCHASER OR TRANSFEREE.**

**DAV PRODUCTS PURCHASED IN CANADA, AND USED ANYWHERE OUTSIDE OF CANADA INCLUDING, WITHOUT LIMITATION, THE UNITED STATES AND MEXICO, ARE NOT COVERED BY THESE WARRANTIES.**

**DAV PRODUCTS PURCHASED ANYWHERE OUTSIDE OF CANADA, INCLUDING, WITHOUT LIMITATION, THE UNITED STATES AND MEXICO, AND USED IN CANADA, ARE NOT COVERED BY THESE WARRANTIES.**

### Limited One (1) Year Warranty on Parts and Labour

Subject to the more limited warranty if the DAV Product is used for any commercial or business purposes as set out below, TCL warrants the DAV Product and its parts against material defects in materials or workmanship that result in the DAV Product failing for a period of one (1) year after the date of original retail purchase.

**DURING THIS PERIOD, TCL WILL, AT TCL'S OPTION, REPAIR OR REPLACE A DEFECTIVE PART WITH A NEW OR REFURBISHED PART, WITHOUT CHARGE TO YOU FOR PARTS OR LABOUR. YOU MUST DELIVER THE ENTIRE DAV PRODUCT TO A TCL DAV PRODUCT AUTHORIZED SERVICE PROVIDER ("ASP"). YOU MUST PAY FOR ALL TRANSPORTATION AND INSURANCE CHARGES FOR THE DAV PRODUCT TO AND FROM THE ASP.**

### Rental Units

The warranty for DAV Product rental units begins with the date of first rental or thirty (30) days from the date of shipment to the rental firm, whichever comes first.

### Limited Warranty for Commercial Units

TCL warrants DAV Products that are used for any commercial or business purposes as follows: all parts are warranted against material defects in materials or workmanship that result in the DAV Product failing for a period of ninety (90) days after the date of original retail purchase. **DURING THIS PERIOD, TCL WILL, AT TCL'S OPTION, REPAIR OR REPLACE A DEFECTIVE PART WITH A NEW OR REFURBISHED PART, WITHOUT CHARGE TO YOU FOR PARTS OR LABOUR. YOU MUST DELIVER THE ENTIRE DAV PRODUCT TO AN ASP. YOU MUST PAY FOR ALL TRANSPORTATION AND INSURANCE CHARGES FOR THE DAV PRODUCT TO AND FROM THE ASP.**

### Your Responsibility

**THE ABOVE WARRANTIES ARE SUBJECT TO THE FOLLOWING CONDITIONS:**

- (1) You must provide your bill of sale or other proof of purchase.
- (2) All warranty servicing of this DAV Product must be performed by an ASP.
- (3) The warranties from TCL are effective only if the DAV Product is (i) purchased as new and unopened from TCL or from TCL's authorized distributors, dealers or resellers ("ADR's") and (ii) located/operated in Canada.
- (4) Warranties extend only to material defects in materials or workmanship as limited above, and do not extend to:
  - a. Service, repairs or replacement made necessary by accident, misuse, abuse, moisture, liquids, dust, dirt, neglect, accident, damage, 24/7 applications, improper installation, improper operation, improper cleaning, improper maintenance, normal wear and tear, or any other external cause or event, act or omission outside the control of TCL, including fire, theft, acts of God, alteration, power failures, power surges or power shortages, lightning, other electrical faults, or repairs, modifications or replacements by persons other than those authorized by TCL to service the DAV Product;
  - b. Replacement of missing, discarded or lost parts, the provision of retrofits, or preventive maintenance;

- c. Repair of damage that is cosmetic only or does not affect the DAV Product functionality, such as wear and tear, scratches and dents;
- d. Service on Toshiba-branded accessory items (such as accessory items may be covered by their own warranty);
- e. Service on third party products or service made necessary by use of incompatible third party products;
- f. Service made necessary by the simultaneous use of this DAV Product and connected equipment;
- g. Modifications to the DAV Product not approved in writing by TCL, and service made necessary by the use or installation of non-Toshiba modifications to the DAV Product;
- h. Service of a DAV Product on which the TOSHIBA label or logo, rating label or serial number have been defaced or removed;
- i. On-site service and repair of the DAV Product;
- j. Damage to the DAV Product caused by failure to follow the specifications, User manuals or guides as to usage and/or storage.

### Disclaimer and Limitation of Remedy

**TO THE EXTENT NOT PRECLUDED BY LAW, ALL OTHER EXPRESS AND IMPLIED WARRANTIES, CONDITIONS AND REPRESENTATIONS FOR THIS DAV PRODUCT, INCLUDING THE IMPLIED WARRANTIES AND CONDITIONS OF MERCHANTABILITY AND FITNESS FOR A PARTICULAR PURPOSE, ARE HEREBY DISCLAIMED AND EXCLUDED. IF THE APPLICABLE LAW, STATUTORY OR OTHERWISE, PRECLUDES THE EXCLUSION OF ANY IMPLIED WARRANTIES, CONDITIONS AND REPRESENTATIONS THEN SUCH IMPLIED WARRANTIES, CONDITIONS AND REPRESENTATIONS ARE OTHERWISE LIMITED IN DURATION TO THE TERM OF THIS EXPRESS WRITTEN LIMITED WARRANTY. TO THE EXTENT NOT PRECLUDED BY LAW, STATUTORY OR OTHERWISE, THIS WRITTEN WARRANTY SUPERCEDES AND SPECIFICALLY DISCLAIMS ANY OTHER WARRANTY, CONDITION OR REPRESENTATION NOT STATED IN THIS WARRANTY, WHETHER MADE BY TCL, TOSHIBA CORPORATION, THEIR AFFILIATES, ADRs AND ASPs AND WHETHER MADE ORALLY OR IN WRITING (INCLUDING ANY STATEMENT IN ANY BROCHURE, PRESS RELEASE, ANNOUNCEMENT, ADVERTISEMENT, POINT OF SALE DISPLAY, ETC.).**

YOU MUST READ AND FOLLOW ALL SET-UP AND USAGE INSTRUCTIONS IN THE APPLICABLE USER GUIDES AND/OR MANUALS. IF YOU FAIL TO DO SO, THIS DAV PRODUCT MAY NOT FUNCTION PROPERLY AND YOU MAY SUFFER DAMAGE. THIS WARRANTY WILL NOT COVER ANY SERVICE THAT IS REQUIRED, IN PART OR IN WHOLE, AS A RESULT OF ANY FAILURE TO FOLLOW THE SET-UP AND USAGE INSTRUCTIONS. THIS WARRANTY DOES NOT APPLY AND SHALL BE VOID AND UNENFORCEABLE IF THE DAV PRODUCT IS OPENED, SERVICED, OR REPAIRED BY PERSONS OTHER THAN THOSE AUTHORIZED BY TCL TO SERVICE OR REPAIR THE DAV PRODUCT.

IF THE DAV PRODUCT FAILS TO WORK AS WARRANTED ABOVE, YOUR SOLE AND EXCLUSIVE REMEDY SHALL BE REPAIR OR REPLACEMENT OF THE DEFECTIVE PART. IN NO EVENT WILL TCL, TOSHIBA CORPORATION, THEIR AFFILIATES, ADRs OR ASPs (THE " RELATED PARTIES" ) BE LIABLE TO YOU OR ANY THIRD PARTY FOR ANY DAMAGES, MONEY, REIMBURSEMENT, COSTS OR EXPENSES. THIS LIMITATION APPLIES TO DAMAGES, MONEY, REIMBURSEMENT, COSTS OR EXPENSES OF ANY KIND WHATSOEVER INCLUDING ANY DIRECT OR INDIRECT DAMAGES, DAMAGE TO PROPERTY OR PERSON, LOST PROFITS, LOST SAVINGS, INCONVENIENCE OR OTHER SPECIAL, INCIDENTAL, EXEMPLARY OR CONSEQUENTIAL DAMAGES, WHETHER FOR BREACH OF WARRANTY, BREACH OF CONTRACT, TORT (INCLUDING NEGLIGENCE), UNDER A STATUTE OR UNDER ANY OTHER LAW OR FORM OR ACTION, OR WHETHER ARISING OUT OF THE USE OF OR INABILITY TO USE THE DAV PRODUCT, EVEN IF ANY OF THE RELATED PARTIES HAS BEEN ADVISED OF THE POSSIBILITY OF SUCH DAMAGES OR OF ANY CLAIM BY ANY OTHER PARTY.

No person, agent, distributor, dealer or company is authorized to change, modify or extend the terms of these warranties in any manner whatsoever.

**Arbitration and Dispute Resolution**

To the extent not precluded by law, any claim, dispute, controversy or disagreement (whether for breach of warranty, breach of contract, tort (including negligence), under a statute or under any other law or form of action) against any of the Related Parties arising out of, or otherwise relating to: (i) this warranty; (ii) the DAV Product; (iii) any oral or written representations, statements, brochures, press releases, advertising, announcement, point of sale display, or promotional material relating to the DAV Product; (iv) the relationships that result from this warranty, (the foregoing claims, disputes controversies and disagreements are collectively referred to as the "Dispute"), shall be referred to and resolved by final and binding arbitration (to the exclusion of the courts). To the extent not precluded by law, you agree to waive any right that you may have to commence or participate in any representative or class proceeding against the Related Parties relating to any Dispute. If and where applicable and to the extent not precluded by law, you further agree to opt out of any such representative or class proceedings. Arbitration of any Dispute will be conducted in the forum and in the manner as agreed to between you and TCL. Failing such agreement, the arbitration will be conducted by one arbitrator pursuant to the laws and rules relating to arbitration generally in force in the jurisdiction in which you reside at the time that the Dispute arises. To the extent not precluded by law, no claim, dispute, controversy or disagreement of any other person may be joined or combined with any Dispute by you, without the prior written consent of TCL.

**Critical Applications**

The DAV Product you have purchased is not designed for any "critical applications." "Critical applications" means life support systems, medical applications, connections to implanted medical devices, commercial transportation, nuclear facilities or systems or any other applications where DAV Product failure could lead to injury to persons or loss of life or catastrophic property damage.

IF THE CUSTOMER USES THE DAV PRODUCT IN ANY CRITICAL APPLICATION, THE CUSTOMER – AND NOT TCL, ITS AFFILIATES, ADRs OR ASPs – ASSUME SOLE AND FULL RESPONSIBILITY FOR SUCH USE. TCL RESERVES THE RIGHT TO REFUSE TO SERVICE ANY DAV PRODUCT USED IN A CRITICAL APPLICATION. TCL, ITS AFFILIATES, ADRs AND ASPs HEREBY DISCLAIM ANY AND ALL LIABILITY, DAMAGES AND CONSEQUENCES ARISING OUT OF THE SERVICE OR REFUSAL TO SERVICE SUCH DAV PRODUCT AND FURTHER DISCLAIM ANY AND ALL LIABILITY, CONSEQUENCES AND DAMAGES THAT MAY ARISE OR RESULT FROM THE USE OF THE DAV PRODUCT IN ANY CRITICAL APPLICATIONS.

**General Provisions**

If and to the extent that any provision of this limited warranty should generally be found to be unenforceable, the unenforceable provision shall be severed from the warranty and deemed not to form part of the warranty. The remaining provisions of this warranty shall be and remain valid and enforceable. If and to the extent that any provision of this limited warranty as it relates to any of the Related Parties is found to be invalid or unenforceable in respect of that party (the "Excluded Party" ), the Excluded Party shall be deemed to be severed or excluded from the provision, and the provision shall remain valid, enforceable and applicable in respect of the other or remaining Related Parties.

To the extent permitted by law, this limited warranty shall be governed and construed in accordance with the laws of Ontario.

If there is any inconsistency between this limited warranty, on the one hand, and any statement in the packaging of the DAV Product or in any other document enclosed with, or used in the context of the promotion or sale of, the DAV Product, on the other hand, the provisions of this limited warranty shall prevail.

**How to Obtain Warranty Services**

If, after following all of the operating instructions in this manual and checking the "Troubleshooting" section, you find that service is needed:

- (1) To find the nearest ASP, visit TCL's web site at [www.toshiba.ca](http://www.toshiba.ca), or call toll free 1-800-268-3404.
- (2) Present your bill of sale or other proof of purchase to the ASP.

For additional information, visit TCL's website at [www.toshiba.ca](http://www.toshiba.ca)

Precautions

Setup

VCR Functions

DVD Functions

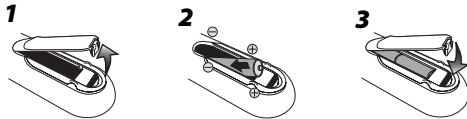
Information

Español

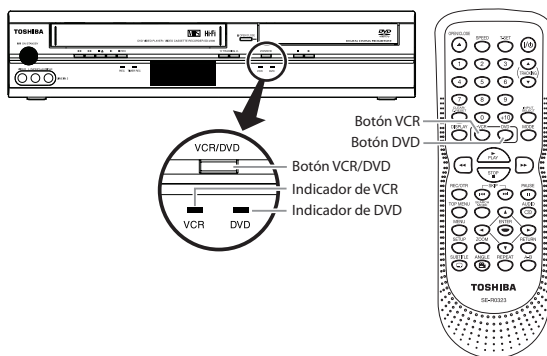
## 1 Conexiones

Si su televisor tiene entradas de AUDIO/VIDEO vea la sección "Connection to a TV" en la página 10 en el manual de manejo. En caso contrario, vea la sección "Connecting to RF Modulator (Not Supplied)" en la página 10 en el manual de manejo.

## 2 Instalación de las pilas del control remoto



## 3 Conmutación VCR/DVD



### MODO VCR

Presione [VCR] en el control remoto. (Verifique que el indicador de VCR esté iluminado.)

### MODO DVD

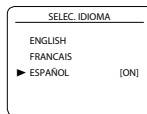
Presione [DVD] en el control remoto. (Verifique que el indicador de DVD esté iluminado.)

## 4 Activación de la unidad por primera vez



1 Asegúrese de que la entrada de su TV esté en VIDEO (El nombre puede cambiar según el fabricante del TV. Consulte el manual de su TV para conocer más detalles.)

2 Seleccione su idioma la primera vez que encienda esta unidad. A continuación, presione [▶] para ir al siguiente paso.



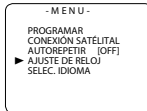
3 Cuando "AJUSTE DE RELOJ" aparezca, avance al segundo paso de "Ajuste del reloj" en esta página.



## 5 Ajuste del reloj



1 Presione [SETUP] para seleccionar "AJUSTE DE RELOJ". A continuación, presione [▶] para ir al siguiente paso.



• Si no se ha ajustado el reloj, aparece la pantalla "AJUSTE DE RELOJ" cuando presione [SETUP]. En este caso, vaya al paso 2.

2 Seleccione el mes actual. A continuación, presione [▶] para ir al siguiente paso.



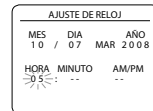
3 Seleccione el día actual. A continuación, presione [▶] para ir al siguiente paso.



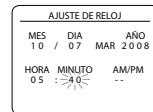
4 Seleccione el año actual. A continuación, presione [▶] para ir al siguiente paso.



5 Seleccione la hora actual. A continuación, presione [▶] para ir al siguiente paso.



6 Seleccione los minutos actuales. A continuación, presione [▶] para ir al siguiente paso.



7 Seleccione "AM" o "PM".



8 Presione [SETUP] para salir del menú "AJUSTE DE RELOJ".



## 6 Reproducción de la grabadora de vídeo

**Antes:**  
Encienda el televisor.



<p><b>1</b> Inserte un casete de vídeo en esta unidad.</p>	<p><b>2</b> Para empezar la reproducción</p>
<p><b>3</b> Para parar la reproducción</p>	<p><b>4</b> Para expulsar</p>

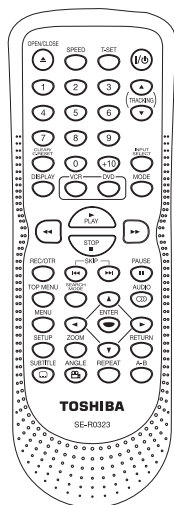
## 7 Reproducción de DVD/CD

**Antes:**  
Encienda el televisor, amplificador y otros equipos que puedan estar conectados a esta unidad. Asegúrese que el televisor y el sintonizador de audio (no provisto) están en el canal correcto.



<p><b>1</b></p>	<p><b>2</b> Ponga un disco con la etiqueta hacia arriba.</p>
<p><b>3</b> Para empezar la reproducción</p>	<p><b>4</b> Para parar la reproducción</p>

## 8 Control remoto



Botón (Orden alfabético)	Modo DVD		Modo de grabadora de vídeo
	DVD	CD JPEG	VHS
I/O	• Para encender o apagar la unidad.	• Para encender o apagar la unidad.	• Para encender o apagar la unidad.
1-10	• Para seleccionar directamente el capítulo o el título.	• Para seleccionar directamente la pista o el archivo.	—
◀ ▶	• Para buscar en avance/retroceso en un disco. • Para empezar la reproducción en avance/retroceso lento durante el modo de pausa.	• Para buscar en avance/retroceso en un disco. (CD)	• Para el avance/retroceso de una cinta. • Para empezar la reproducción en avance lento durante el modo de pausa.
A-B	• Para repetir entre los puntos A y B elegidos.	• Para repetir entre los puntos A y B elegidos. (CD)	—
ANGLE	• Para seleccionar los ángulos de la cámara en un disco.	• Para girar los archivos JPEG en sentido horario 90 grados. (JPEG)	—
AUDIO	• Para seleccionar el idioma de audio en un disco.	• Para seleccionar "ESTÉREO", "L-ch" o "R-ch". (CD)	• Para seleccionar el modo "HIFI" o el modo "MONO" durante la reproducción. (Solamente cintas de alta fidelidad)
CLEAR	• Para borrar los marcadores. • Para borrar los números mal entrados. • Para borrar el punto A para la repetición A-B.	• Para borrar los marcadores. (CD) • Para eliminar el N° de estado en la entrada de programa. • Para borrar los números mal entrados. • Para borrar el punto A para la repetición A-B. (CD)	• Para salir del menú de la grabadora de vídeo. • Para reponer el contador de cinta.
DISPLAY	• Para indicar el modo de disco actual.	• Para indicar el modo de disco actual.	• Para indicar la hora actual, contador de cinta "DISC", "L1" o "L2".
DVD	• Para seleccionar el modo de salida de DVD. • Para activar el modo DVD.	• Para seleccionar el modo de salida de DVD. • Para activar el mando a distancia en el modo DVD.	—
ENTER	• Para mover el cursor y determinar su posición.	• Para mover el cursor y determinar su posición. • Para saltar archivos. (JPEG)	• Para seleccionar un ítem en el menú de la grabadora de vídeo. • Para avanzar al siguiente menú de la grabadora de vídeo. • Para volver un paso durante el ajuste del reloj y temporizador.
MENU	• Para llamar el menú en un disco.	• Para llamar la lista de archivo. (JPEG)	• Para seleccionar "DISC", "L1" o "L2".
MODE	• Para activar/desactivar el nivel del negro. • Para activar/desactivar el ambiental virtual.	• Para programar el orden de reproducción o la reproducción aleatoria. • Para activar/desactivar el envolvente virtual. (CD) • Para activar el modo carrusel de diapositivas. (JPEG)	—
OPEN/CLOSE	• Para abrir o cerrar la bandeja del disco.	• Para abrir o cerrar la bandeja del disco.	• Para expulsar la cinta de casete del compartimiento del casete.
PAUSE	• Para hacer una pausa de reproducción del disco. • Para avanzar la reproducción un cuadro a la vez.	• Para hacer una pausa en la reproducción del disco.	• Para hacer una pausa de la reproducción o grabación de la cinta. • Para avanzar la reproducción un cuadro a la vez.
PLAY	• Para empezar la reproducción del disco.	• Para empezar la reproducción del disco.	• Para empezar la reproducción de la cinta.
REC/CTR	—	—	• Para empezar una grabación o una grabación de un toque.
REPEAT	• Para reproducir repetidamente un capítulo o título.	• Para reproducir repetidamente una canción o disco. (CD) • Para reproducir repetidamente una canción, grupo o disco. (JPEG)	• Para activar/desactivar el modo de repetición.
RETURN	• Para volver a la operación previa en el menú.	• Para volver a la operación previa en el menú.	—
SEARCH	• Para buscar un capítulo, título u hora. • Para colocar o buscar los marcadores.	• Para buscar una canción. • Para buscar el tiempo. (CD) • Para colocar o buscar los marcadores. (CD)	• Para llamar el menú de búsqueda de índice u hora.
SETUP	• Para llamar el menú de programación de DVD.	• Para llamar el menú de programación de DVD.	• Para llamar el menú de la grabadora de vídeo.
SKIP	• Para saltar capítulos o título.	• Para saltar pistas o archivos.	—
SPEED	—	—	• Para seleccionar la velocidad de grabación.
STOP	• Para parar la reproducción.	• Para parar la reproducción.	• Para parar la reproducción o grabación.
SUBTITLE	• Para seleccionar subtítulos en un disco.	—	—
T-SET	—	—	• Para poner la grabadora de vídeo en el modo de espera para una grabación con temporizador.
TOP MENU	• Para llamar el menú superior en un disco.	• Para volver al archivo superior de la jerarquía más alta en el programa y en la lista de archivo. (JPEG)	—
TRACKING	—	—	• Para ajustar manualmente el seguimiento durante la reproducción.
VCR	—	—	• Para seleccionar el modo de salida de la grabadora de vídeo. • Para activar el modo de la grabadora de vídeo.
ZOOM	• Para ampliar parte de la imagen. (2x/4x)	• Para ampliar parte de la imagen. (2x) (JPEG)	—

# Memo

---



# Memo

---

**TOSHIBA**

Printed in China

1VMN26053 / E8EB5UD ★★★★★

## Free Manuals Download Website

<http://myh66.com>

<http://usermanuals.us>

<http://www.somanuals.com>

<http://www.4manuals.cc>

<http://www.manual-lib.com>

<http://www.404manual.com>

<http://www.luxmanual.com>

<http://aubethermostatmanual.com>

Golf course search by state

<http://golfingnear.com>

Email search by domain

<http://emailbydomain.com>

Auto manuals search

<http://auto.somanuals.com>

TV manuals search

<http://tv.somanuals.com>