

**Satellite A75 Series<sup>1</sup>**

Model Name	Description	Part Number	UPC Code
Satellite A75-S213	Intel® Pentium® 4 Processor 548, 15.4" WXGA, 1024MB, 100GB (5400 RPM), 8x DVD SuperMulti (Double Layer), TV-Out, CD play/Instant play button, Parallel port, 802.11b/g, Microsoft® Windows® XP Home, 1-year Limited Warranty	PSA70U-1Y400G	032017368507
Satellite A75-S2131	Intel® Pentium® 4 Processor 548, 15.4" WXGA, 1024MB, 100GB (5400 RPM), 8x DVD SuperMulti (Double Layer), TV-Out, CD play/Instant play button, Parallel port, 802.11b/g, Microsoft® Windows® XP Pro, 1-year Limited Warranty	PSA70U-1Y400P	032017368514

**System Characteristics<sup>2</sup>****Operating System<sup>3</sup>**

- Microsoft® Windows® XP Home
- Microsoft® Windows® XP Professional

**Processor<sup>4</sup>**

- Mobile Intel® Pentium® 4 Processor 548 supporting HT Technology [3.33GHz, 1MB L2 cache, 533MHz Front Side Bus]

**Chipset**

- ATI MOBILITY™ RADEON® 9000 IGP

**Memory<sup>5</sup>**

- Configured with 1024MB SDRAM
- 512MB (Min)/1536MB (Max), 512MB on-board memory with 1 available memory slot for 256MB, 512MB, or 1024MB PC2700 DDR 333MHz SDRAM 2.5V SODIMM memory modules. Both slots may be occupied

**Mass Storage****Hard Drives<sup>6</sup>**

- 100GB (5400 RPM); Enhanced IDE (ATA-6) hard disk drive; 9.5mm height; user removable

**Optical Disk Drive:**

- Fixed Bay DVD SuperMulti Double Layer Drive  
Maximum Speed:
  - CD-ROM(24x:read), CD-R(24x:write), CD-RW(10x:write), DVD-ROM(8x:read), DVD-R(8x:write), DVD-RW(4x:write), DVD+R(8x:write), DVD+R [Double Layer] (2.4x:write), DVD+RW(4x:write), DVD-RAM(3x:write)

**Optional Floppy Disk Drive:**

- External USB Floppy Drive, 3.5", 1.44MB

**Display<sup>7</sup>**

- 15.4" diagonal widescreen TruBrite™ TFT active-matrix LCD display at 1280x800 native resolution (WXGA)
- Brightness Control

**Graphics<sup>8</sup>**

- ATI MOBILITY™ RADEON® 9000 IGP with 128MB of shared memory

**Sound**

- Realtek ALC250 Software Sound
- 16-bit stereo; Built-in stereo speakers
- 3D Sound Support, Direct 3D Sound; DirectSound, Direct Music, MIDI (playback) Support
- Sound Volume Control Dial

**Input Devices**

- Keyboard
  - 85 key US keyboard, 2.7mm key stroke, 6mm keyboard height, 19.05mm key pitch
  - Hot Key Functions (FN); please see electronic User's Guide for more information
  - Windows Key Function
  - Application Key Function
- Pointing Device:
  - TouchPad™
- CD Buttons (Skip to previous Track, Play, Stop, Skip to Next Track)

**Expandability**

- 1 main memory slot. May be occupied.
- 1 PC Card slot support 1 Type II, PCMCIA R2.01, PC Card16, CardBus

**Communications**

- Integrated V.92 modem<sup>9</sup>
- 10/100 Base-TX Ethernet
- Atheros® 802.11b/g wireless-LAN supporting Atheros SuperG™ technology<sup>10</sup>

**Ports**

- RGB (monitor) port
- TV-out (S-Video)
- 3 Universal Serial Bus (USB) ports (v2.0)
- External Microphone jack
- Headphone jack
- RJ-45 LAN port
- RJ-11 modem port
- Parallel port

**Physical Description**

- Dimensions (WxDxH Front/H Rear): 14.4"(365mm) x 10.8"(275mm) x 1.54"(39mm)/1.81"(46mm)
- Weight<sup>11</sup>: Starting at 7.98lbs (3.62kg) depending upon configuration
- Indicators: DC-In, Power, Primary Battery, Hard Drive, CD-DVD ROM Access, Caps Lock, Arrow Lock, Numeric Lock, Main Battery Charging Status, Sleep Suspend Mode

**Power Supply**

- 120W (19V 6.3A) Auto-sensing external AC Adapter, 100-240V / 50-60Hz ifrequency (Universal) input.
- Weight: 1.43lbs.(650g)
- Dimensions (WxDxH): 5.91" (150mm) x 2.56" (65mm) x 1.42" (36mm)

**Battery<sup>12</sup>**

- 12-cell (6450mAh) rechargeable, removable Lithium Ion (Li-Ion) battery pack
- Weight: starting at 1.49 lbs (675g)
- Dimensions (WxDxH): 10.7" (271mm) x 2.83" (72mm) x 1.04" (26mm)
- Battery Life: Up to 2 hours (12-cell battery)<sup>13</sup>
- Recharge Time
  - Main Battery Off/On – up to 4.0 hrs/ up to 12.0 hrs

**Security**

- Slot for cable lock, HDD, memory (by screw only); User Power-on password, Supervisor Password, Screen Blank (by Hotkey), Screen Saver (by software).

**BIOS**

- ACPI v1.0b, PNP v1.0a, VESA v2.0, DPMS, DDC, SM BIOS v2.31, PCI BIOS v2.2 support

**Software<sup>14</sup>****Toshiba Software and Utilities**

- Toshiba Notebook Maximizer
- Toshiba Speech System
- Toshiba ConfigFree™
- Toshiba Custom Utilities
- Toshiba Touch and Launch

**Third-party Software**

- Microsoft® Works™
- Microsoft® Office® OneNote™ 2003
- Software Decoder: InterVideo® (Win-DVD™ 5) -w/SRS TruSurround XT® Technology (SRS TruSurround XT® Technology features: TruSurround, SRS Dialog Clarity Enhancement, &

# TOSHIBA

TruBass)

- Intuit® Quicken® New User Edition 2005
- Norton AntiVirus™ 2005 – w/3-Month Subscription
- Sonic® Solutions Drive Letter Access (DLA)
- Sonic® Solutions RecordNow!™ Basic
- AOL® (3 –Months free)<sup>15</sup>
- AT&T® Worldnet® Service – 1 Month FREE<sup>16</sup>
- Microsoft® Internet Explorer
- Napster™ online digital music service (30-day trial)

## Environmental Specifications<sup>14</sup>

	Operating	Non-Operating
<b>Temperature<sup>17</sup></b>	5° to 30°C (41° to 86°F)	-20° to 65°C (-4° to 149°F)
<b>Thermal Gradient</b>	15°C per hour maximum	20°C per hour maximum
<b>Relative Humidity</b>	20% to 80%	10% to 95%
<b>Altitude (relative to sea level)</b>	-60 to 3000 meters	-60 to 10,000 meters
<b>Shock</b>	10G	60G
<b>Vibration</b>	0.5G	1.0G

## Limited Warranty<sup>18</sup>

### 1-year Standard, Limited Warranty

#### Limited Warranty Upgrades and Extensions

Toshiba offers many different limited warranty extensions and enhanced service plans such as SystemGuard®, At-Home Repair, and Service Express to provide additional support to your notebook PC. For a full description and complete list of programs, please visit

#### Subject to Change

While Toshiba has made every effort at the time of publication to ensure the accuracy of the information provided herein, product specifications, configurations, prices, system/component/options availability are all subject to change without notice. For the most up-to-date product information about your computer, or to stay current with the various computer software or hardware options, visit Toshiba's Web site at <http://www.pcsupport.toshiba.com>.

#### Return Policy

Notwithstanding anything to the contrary in any third party License Agreement or product documentation supplied with your PC, Toshiba America Information Systems, Inc. ("TAIS") does not accept the return of component parts, or bundled software, that have been removed from the PC system. Pro-rata refunds on individual PC components or bundled software, including the operating system, will not be granted. If you wish to return a complete PC system, contact the TAIS dealer where you purchased the product, and comply with the dealer's standard return policies and procedures.

Toshiba America Information Systems, Incorporated ("TAIS")

9740 Irvine Boulevard

Irvine CA 92618

ToshibaDirect website: <http://www.toshibadirect.com>

TAIS website for resellers: <http://sell.toshiba.com>

TAIS PC Support website: <http://pcsupport.toshiba.com>

Portégé, Satellite, Tecra, Slim SelectBay and SystemGuard are registered trademarks and ConfigFree is a trademark of Toshiba America Information Systems, Inc. and/or Toshiba Corporation. Intel, Celeron, Centrino, Intel Inside, Pentium, the Intel Centrino logo, and the Intel Inside logo are trademarks or registered trademarks of Intel Corporation or its subsidiaries in the United States and other countries. Microsoft and Windows are registered trademarks and OneNote is a trademark of Microsoft Corporation in the United States and/or other countries. Winstone® is a registered trademark and BatteryMark™ is a trademark of Ziff Davis Publishing Holdings Inc. in the U.S. and other countries. MobileMark™ is a trademark of the Business Applications Performance Corporation. Wi-Fi is a registered certification mark of the Wi-Fi Alliance. The Bluetooth word mark and logos are owned by the Bluetooth SIG, Inc. and any use of such marks by Toshiba is under license. NVIDIA and GeForce are registered trademarks or trademarks of NVIDIA Corporation in the United States and/or other countries. All other trademarks are the property of their respective owners.

<sup>1</sup> **Product Series Legal Footnote.** The product specifications and configuration information are designed for a product Series. Your particular model may not have all the features and specifications listed or illustrated.

**Product Offering Legal Footnote.** Toshiba America Information Systems, Inc. reserves the right to modify or withdraw this offer at anytime without notice.

<sup>2</sup> **Build-to-Order/Configure-to-Order.** Certain notebook chassis are designed to accommodate all possible configurations for an entire product series. Your select model may not have all the features and specifications corresponding to all of the icons or switches shown on the notebook chassis, unless you have selected all those features. Configuring (customization) of your notebook takes an additional 12 to 15 working days.

<sup>3</sup> **Operating System.** Certain Microsoft® software product(s) included with this computer may use technological measures for copy protection. IN SUCH EVENT, YOU WILL NOT BE ABLE TO USE THE PRODUCT IF YOU DO NOT FULLY COMPLY WITH THE PRODUCT ACTIVATION PROCEDURES. Product activation procedures and Microsoft's privacy policy will be detailed during initial launch of the product, or upon certain reinstallations of the software product(s) or reconfigurations of the computer, and may be completed by Internet or telephone (toll charges may apply). Some software may differ from its retail version (if available), and may not include user manuals or all program functionality.

© Copyright 2005 Toshiba America Information Systems Inc. All Rights reserved.

TAIS shall not be liable for damages of any kind for use of this information, which is subject to change without notice.

Satellite A75-S213/S2131 Rev. 1.30 05-19-2005 CBB CB V1.3

Page 2 of 6

[www.accessories.toshiba.com](http://www.accessories.toshiba.com)

## Accessories

### Memory

Part Number	Description
KTT3311/256	Kingston DDR 333, 256MB
KTT3311/512	Kingston DDR 333, 512MB
KTT3311/1G	Kingston DDR 333, 1GB

### Power

Part Number	Description
PA3290U-2ACA	Toshiba 120W Global AC Adapter
PA3383U-1BRS	Toshiba Primary Li Ion Battery (12 cell)

### Security & Protection

Part Number	Description
PA1370U-1ETC	Toshiba Keyboard Protector
NWDEFCL	Targus-Noteworthy DEFCON CL Cable Lock

### Storage

Part Number	Description
PA3109U-1FDD	Toshiba USB Floppy Disk Drive Kit

### Other

Part Number	Description
PA3455U-1BTM	Toshiba USB Bluetooth 2.0+EDR Capable Adapter

For additional and most updated accessories, please visit [www.accessories.toshiba.com](http://www.accessories.toshiba.com)

#### <sup>4</sup> **Processor (Central Processing Unit).**

CPU performance in your computer product may vary from specifications under the following conditions:

1. use of certain external peripheral products
2. use of battery power instead of AC power
3. use of certain multimedia, computer generated graphics or video applications
4. use of standard telephone lines or low speed network connections
5. use of complex modeling software, such as high end computer aided design applications
6. use of several applications or functionalities simultaneously
7. use of computer in areas with low air pressure (high altitude >1,000 meters or >3,280 feet above sea level)
8. use of computer at temperatures outside the range of 5°C to 30°C (41°F to 86° F) or >25°C (77°F) at high altitude (all temperature references are approximate and may vary depending on the specific computer model – please visit the Toshiba website at [www.pcsupport.toshiba.com](http://www.pcsupport.toshiba.com) for details).

CPU performance may also vary from specifications due to design configuration.

Under some conditions, your computer product may automatically shut-down. This is a normal protective feature designed to reduce the risk of lost data or damage to the product when used outside recommended conditions. To avoid risk of lost data, always make back-up copies of data by periodically storing it on an external storage medium. Use your computer product only under recommended conditions. Read additional restrictions under “Environmental Conditions” in your product “Detailed Specs.” Contact Toshiba Technical Service and Support for more information.

<sup>5</sup> **Memory (Main System).** Part of the main system memory may be used by the graphics system for graphics performance and therefore reduce the amount of main system memory available for other computing activities. The amount of main system memory allocated to support graphics may vary depending on the graphics system, applications utilized, system memory size and other factors.

<sup>6</sup> **Hard Disk Drive (HDD) Capacity.** 1 Gigabyte (GB) means  $1000 \times 1000 \times 1000 = 1,000,000,000$  bytes using powers of 10. The computer operating system, however, reports storage capacity using powers of 2 for the definition of  $1 \text{ GB} = 1024 \times 1024 \times 1024 = 1,073,741,824$  bytes, and therefore may show less storage capacity. Available storage capacity will also be less if the product includes one or more pre-installed operating systems, such as Microsoft Operating System and/or pre-installed software applications, or media content. Actual formatted capacity may vary.

<sup>7</sup> **Display.** Small bright dots may appear on your screen display when you turn on your PC. Your display contains an extremely large number of thin-film transistors (TFT) and is manufactured using high-precision technology. Any small bright dots that may appear on your display are an intrinsic characteristic of the TFT manufacturing technology. Over a period of time, and depending on the usage of the computer, the brightness of the screen will deteriorate. This is also an intrinsic characteristic of the screen technology.

When the computer is operated on battery power, the screen with dim and you may not be able to increase the brightness of the screen while on battery power.

<sup>8</sup> **Graphics (Graphics Processing Unit).** GPU performance may vary depending on product model, design configuration, applications, power management settings and features utilized. GPU performance is only optimized when operating in AC power mode and may decrease considerably when operating in battery power mode.

<sup>9</sup> **Modem Speed.** Due to FCC limitations, speeds of 53 kbps are the maximum permissible transmission rates during download. Actual data transmission speeds will vary depending on line conditions.

<sup>10</sup> **Wireless.** Wireless connectivity and some features may require you to purchase additional software, external hardware or services. Availability of public wireless LAN access points may be limited. The transmission speed over the wireless LAN and the distance over which wireless LAN can reach may vary depending on surrounding electromagnetic environment, obstacles, access point design and configuration, and client design and software/hardware configurations. The actual transmission speed will be lower than the theoretical maximum speed. To use the Atheros SuperAG™ or SuperG™ wireless function, if available, your client and access point must support the corresponding feature. Performance of these functions may vary depending on the format of data transmitted.

<sup>11</sup> **Weight.** Weight may vary depending on product configuration, vendor components, manufacturing variability and options selected.

<sup>12</sup> **Battery Life.** Battery life may vary considerably from specifications depending on product model, configuration, applications, power management settings and features utilized, as well as the natural performance variations produced by the design of individual components. Published battery life numbers are achieved on select models and configurations tested by Toshiba at the time of publication. See “Detailed Specs” for specific battery measurement test. Recharge time varies depending on usage. Battery may not charge while computer is consuming full power. After a period of time, the battery will lose its ability to perform at maximum capacity and will need to be replaced. This is normal for all batteries. To purchase a new battery pack, see the accessories information that shipped with your computer or visit the Toshiba web site at [www.accessories.toshiba.com](http://www.accessories.toshiba.com).

#### <sup>13</sup> **Battery Life - Business Winstone® BatteryMark™ Version 1.0.**

These models achieved the battery life times shown using Ziff Davis Media Inc.'s Business Winstone® 2002 BatteryMark™ Version 1.0. These tests were performed without independent verification by the VeriTest testing division of Lionbridge Technologies, Inc. (“VeriTest”). Neither Ziff Davis Media Inc. nor VeriTest makes any representations or warranties as to the results of the tests. Winstone® is a registered trademark and BatteryMark™ is a trademark of Ziff Davis Publishing Holdings Inc. in the U.S. and other countries. Copyright 2002 Ziff Davis Media Inc. All Rights Reserved. All products used in the tests were shipping versions available to the general public. The battery life results were achieved running the Business Winstone® 2002 BatteryMark™ Version 1.0 on the following system parameters. System parameters were set according to Ziff Davis Media Inc.'s recommendations.

Power Save Mode	Cooling Method		MaximumPerformance	2H
	Intel SpeedStep(R) Technology		-	
	Processor speed	100%-75%	Low	1
		74%-50%	Low	3
		49%-25%	Low	
		24%-0%	Low	Mobile Intel® Pentium® 4 processor 538 with HT Technology
	Monitor brightness (* See Notes)	100%-75%	Mid2	3.2GHz
		74%-50%	Mid2	1
		49%-25%	Mid2	512MB
		24%-0%	Mid2	1MB
	Turn off monitor	100%-75%	NEVER	
		74%-50%	NEVER	Li-Ion
		49%-25%	NEVER	
		24%-0%	NEVER	PA3383U-1BRS/BAS
	Turn off hard disks	100%-75%	3min	-
		74%-50%	3min	-
		49%-25%	3min	-
		24%-0%	3min	1
	System standby	100%-75%	NEVER	
		74%-50%	NEVER	ATI RC300ML (internal GFX)
49%-25%		NEVER	UMA	
24%-0%		NEVER		
System Hibernate	100%-75%	NEVER	V8.01	
	74%-50%	NEVER	1280x800, 32bit, 60Hz	
	49%-25%	NEVER		
	24%-0%	NEVER	80G (4200rpm)	
System Power Mode	When I press the power button		Power off	Enhanced IDE(ATA-6)
	When I close the lid		Hibernate	ATI IXP150
	Prompt for password when computer goes off Standby or Hibernation		Off	-
Alarm	Activate low battery alarm when power level reaches		Off	
	Low Battrey Alarm Action	Sound alarm	Off	Windows XP Professional Savice Pack 1
		Display message	Off	N/A
		When the alarm goes off,the c	Off	
		When the alarm occurs, run th	Off	1.00
	Activate critical battery alarm when power level reaches		Off	see another sheet
	Critical Battrey Alarm Action	Sound alarm	Off	
		Display message	Off	
When the alarm goes off,the c		Off		
When the alarm occurs, run th		Off		
Hibernate	Enable Hibernate Support		On	
SoundMAX Audio P	Power Mode		-	
	Timer Setting	Instant Power Save	-	
		Power Save Delay	-	
	Internal Speakers	Power Down		-

		Business Winstone 2002 BatteryMark Version 1.0	
Power Save Mode	Cooling Method		MaximumPerformance
	Intel SpeedStep(R) Technology		-
	Processor speed	100%-75%	Low
		74%-50%	Low
		49%-25%	Low
		24%-0%	Low
	Monitor brightness (* See Notes)	100%-75%	Mid2
		74%-50%	Mid2
		49%-25%	Mid2
		24%-0%	Mid2
	Turn off monitor	100%-75%	NEVER
		74%-50%	NEVER
		49%-25%	NEVER
		24%-0%	NEVER
	Turn off hard disks	100%-75%	3min
		74%-50%	3min
		49%-25%	3min
		24%-0%	3min
	System standby	100%-75%	NEVER
		74%-50%	NEVER
		49%-25%	NEVER
		24%-0%	NEVER
	System Hibernate	100%-75%	NEVER
		74%-50%	NEVER
49%-25%		NEVER	
24%-0%		NEVER	
System Power Mode	When I press the power button		Power off
	When I close the lid		Hibernate
	Prompt for password when computer goes off Standby or Hibernation		Off
Alarm	Activate low battery alarm when power level reaches		Off
	Low Battrey Alarm Action	Sound alarm	Off
		Display message	Off
		When the alarm goes off,the computer will:	Off
		When the alarm occurs, run this program:	Off
	Activate critical battery alarm when power level reaches		Off
	Critical Battrey Alarm Action	Sound alarm	Off
		Display message	Off
		When the alarm goes off,the computer will:	Off
		When the alarm occurs, run this program:	Off
Hibernate	Enable Hibernate Support		On
SoundMAX Audio Power Management	Power Mode		-
	Timer Setting	Instant Power Save	-
		Power Save Delay	-
	Internal Speakers	Power Down	-

<sup>14</sup> **Software.** Some software may differ from its retail version (if available), and may not include user manuals or all program functionality.

Certain Microsoft® software product(s) included with this computer may use technological measures for copy protection. IN SUCH EVENT, YOU WILL NOT BE ABLE TO USE THE PRODUCT IF YOU DO NOT FULLY COMPLY WITH THE PRODUCT ACTIVATION PROCEDURES. Product activation procedures and Microsoft's privacy policy will be detailed during initial launch of the product, or upon certain reinstallations of the software product(s) or reconfigurations of the computer, and may be completed by Internet or telephone (toll charges may apply).

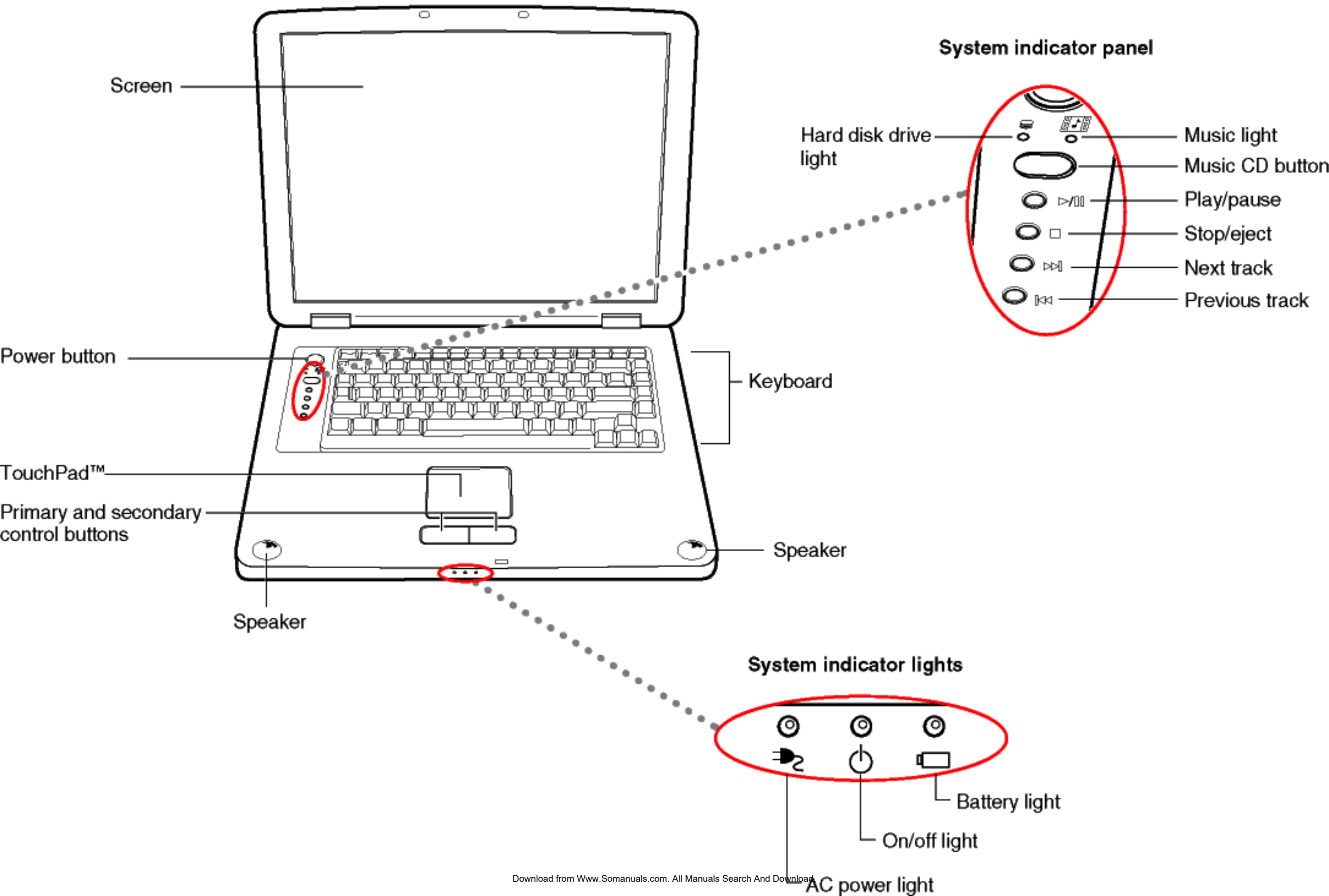
<sup>15</sup> **AOL OFFER DETAILS:** *Availability may be limited, especially during peak times. TO AVOID BEING CHARGED A MONTHLY MEMBERSHIP FEE, SIMPLY CANCEL BEFORE THE THREE-MONTH PROMOTIONAL PERIOD ENDS. Premium services carry surcharges and communication surcharges may apply, including AK, even during promotional period. Members may incur telephone charges on their phone bill, depending on their location and calling plan, even during promotional period. Available to new AOL members in the United States, age 18 or older; a major credit card or checking account is required.*

<sup>16</sup> **AT&T® Worldnet® Service.** Telephone access and other charges and other terms and conditions may apply. Offer available to new customers only.

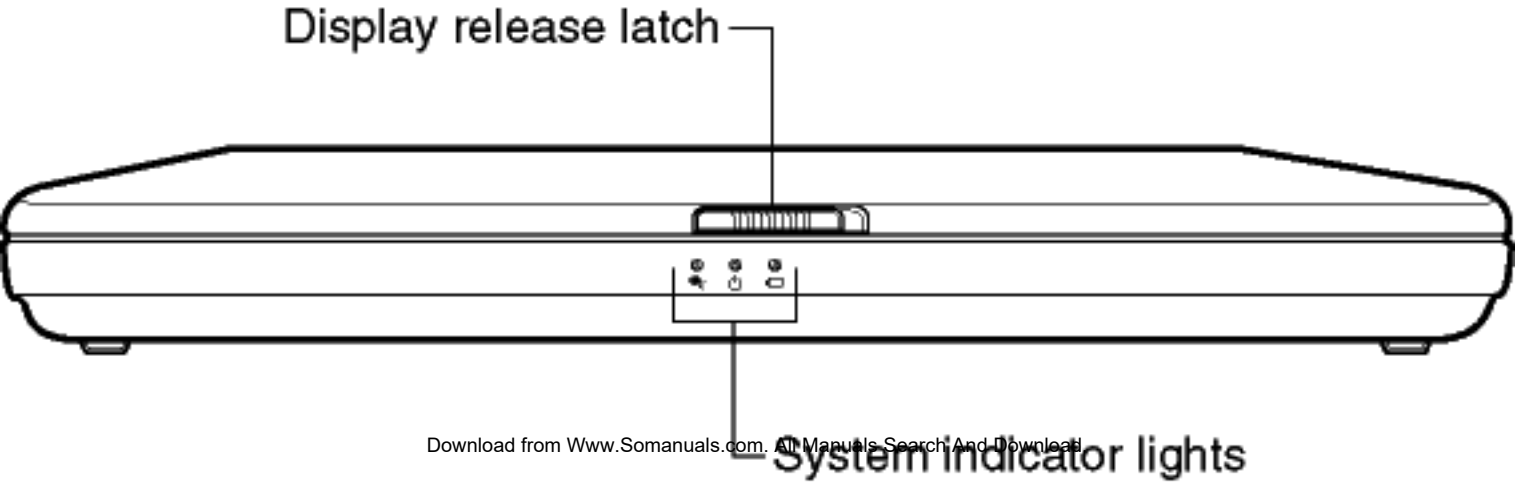
<sup>17</sup> **Temperature (Environmental) Conditions.** All temperature references are approximate and the performance of your computer may vary from specifications even when operating within the recommended temperature range.

<sup>18</sup> **Limited Warranty.** Toshiba's standard limited warranty, extended warranty and service upgrade terms and conditions are available at <http://www.warranty.toshiba.com>.

# Front with display open

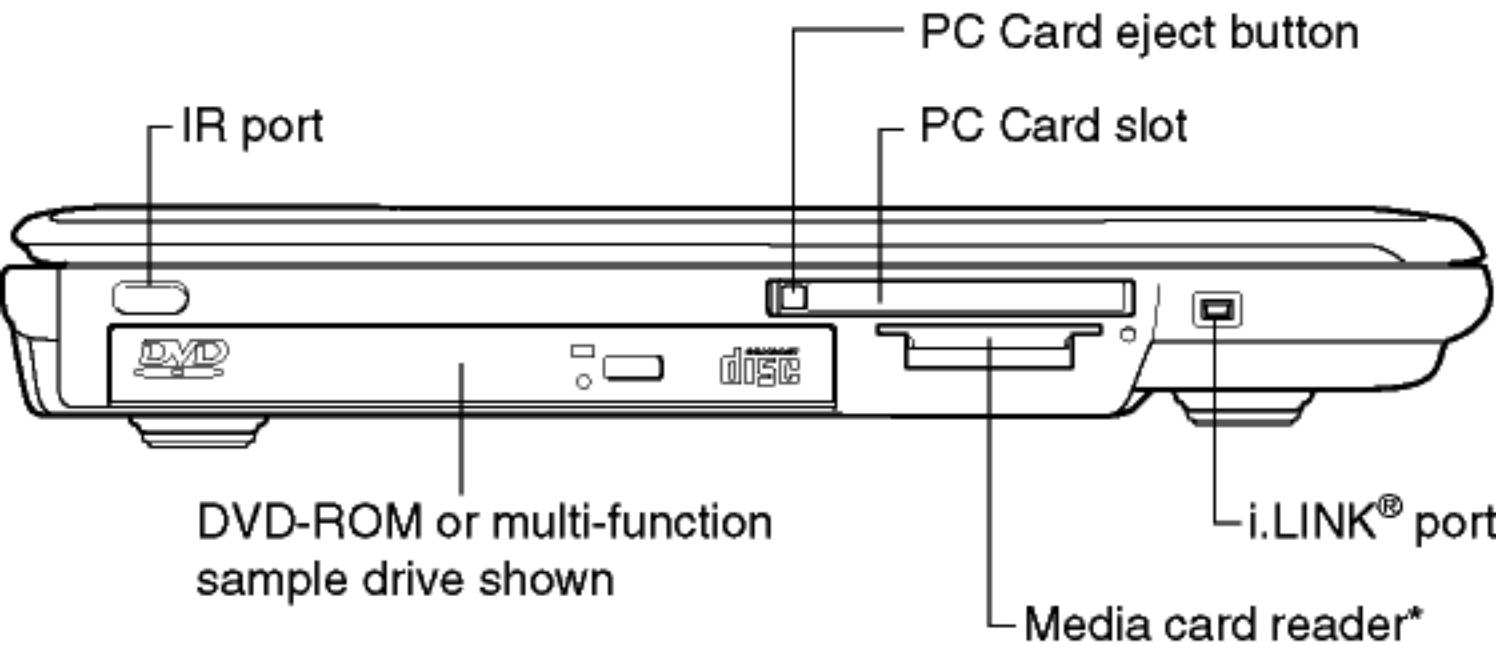


# Front with display closed



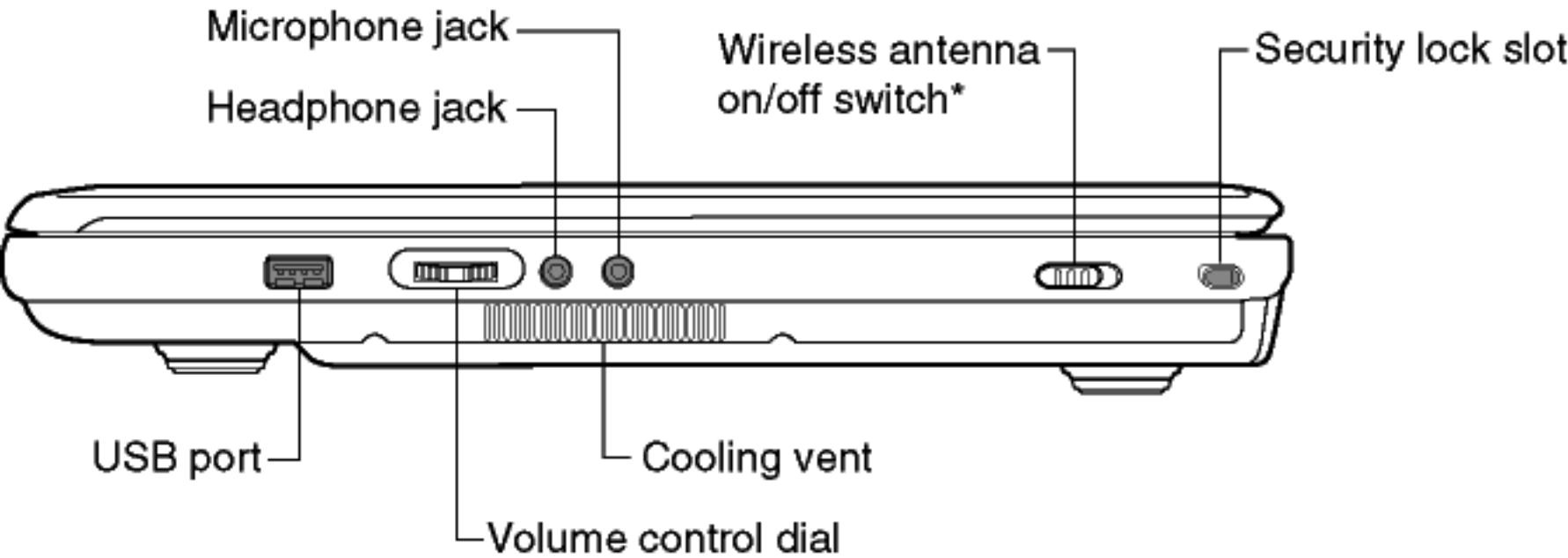


# Left side



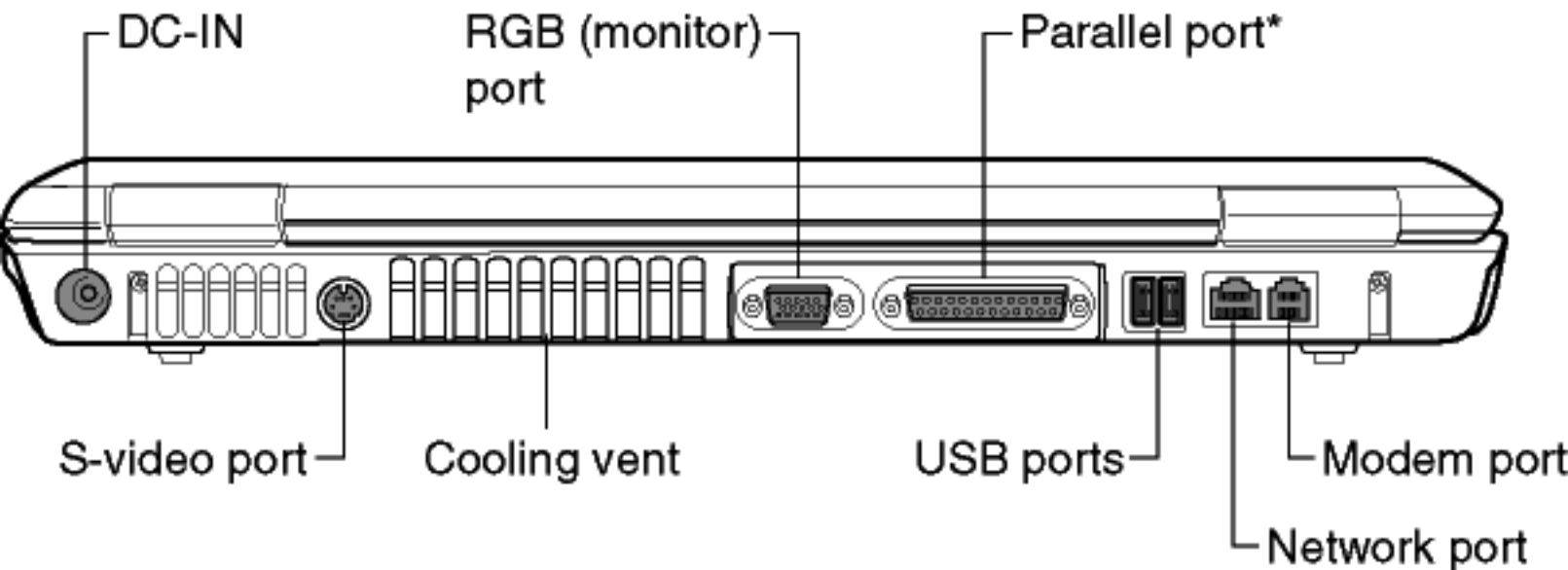
\*Only on selected models.

# Right side



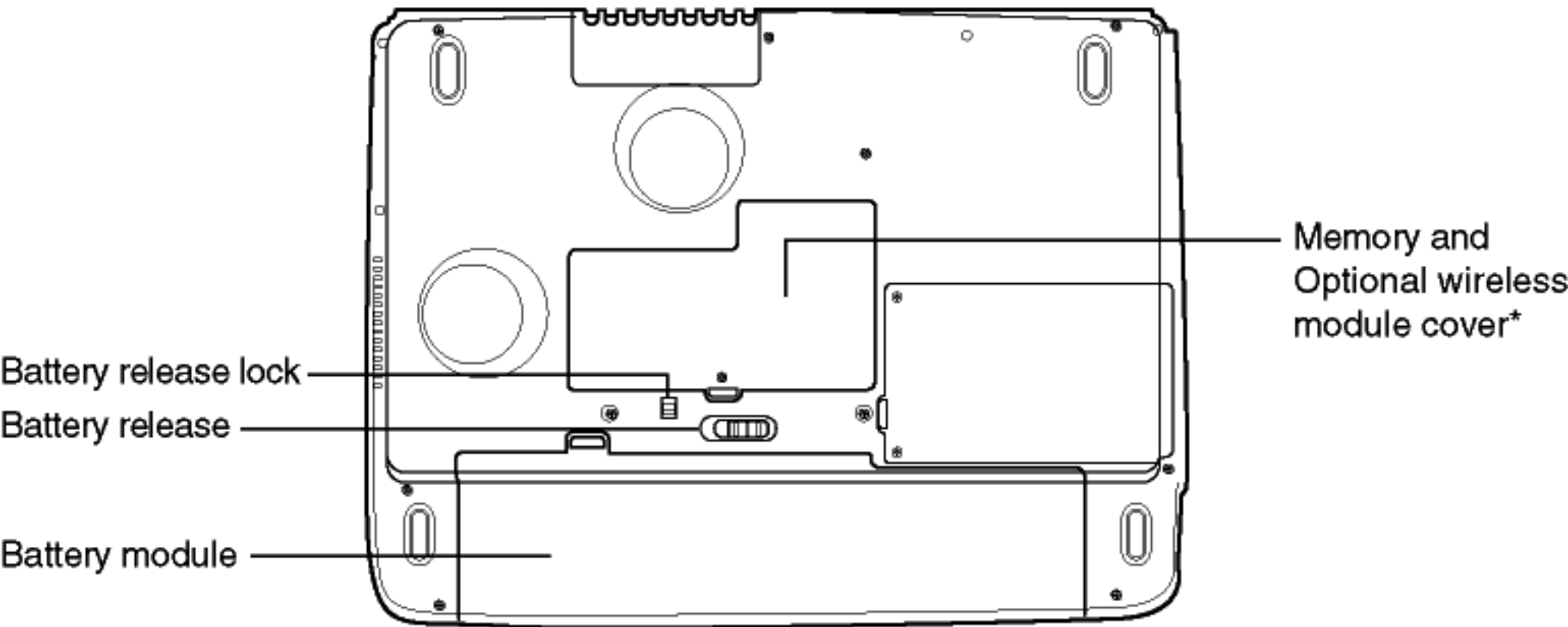
\*Functional only on systems with wireless module installed.

# Back



\*Only on selected models.

# Underside



\*Functional only on systems with wireless module installed.

## Free Manuals Download Website

<http://myh66.com>

<http://usermanuals.us>

<http://www.somanuals.com>

<http://www.4manuals.cc>

<http://www.manual-lib.com>

<http://www.404manual.com>

<http://www.luxmanual.com>

<http://aubethermostatmanual.com>

Golf course search by state

<http://golfingnear.com>

Email search by domain

<http://emailbydomain.com>

Auto manuals search

<http://auto.somanuals.com>

TV manuals search

<http://tv.somanuals.com>