

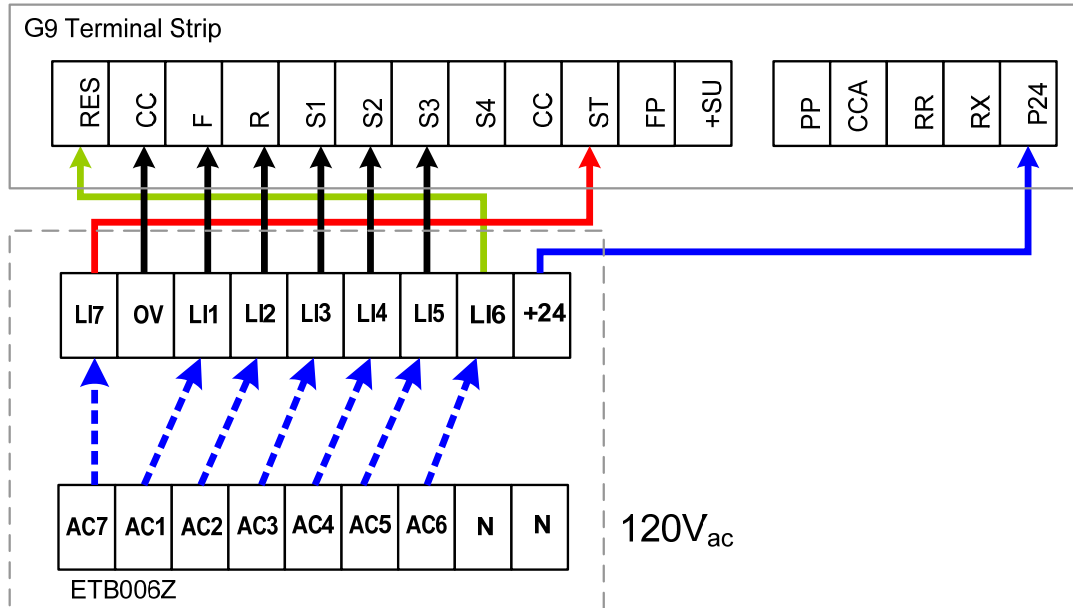
Instructions for Toshiba G9 ETB006Z option card

Terminal Assignment

| ETB006Z | G9 |
|---------|-----|
| AC1 | F |
| AC2 | R |
| AC3 | S1 |
| AC4 | S2 |
| AC5 | S3 |
| AC6 | RES |
| AC7 | ST |

Instructions:

- 1.- Disconnect the ST to CC jumper on the standard terminal strip.
- 2.- Connect the ETB006Z card to the ASD as follow.



- 3.- Set jumper J100 to Source position.
4. – Provide 120V to the terminals of the ETB006Z card by using N as a neutral.
- 5.- Remember to provide 120V to AC7 since correspond to ST.

Free Manuals Download Website

<http://myh66.com>

<http://usermanuals.us>

<http://www.somanuals.com>

<http://www.4manuals.cc>

<http://www.manual-lib.com>

<http://www.404manual.com>

<http://www.luxmanual.com>

<http://aubethermostatmanual.com>

Golf course search by state

<http://golfingnear.com>

Email search by domain

<http://emailbydomain.com>

Auto manuals search

<http://auto.somanuals.com>

TV manuals search

<http://tv.somanuals.com>