

OIS50

Operator Interface Station



An Economical Device for Monitoring & Changing Data

- Toggle Device / Write to Register
- Large Number of Special Objects
- Unlimited Screens (based on memory)
- 256 Definable Alarms
- Auto Detect Communications Port

Data Entry, Message Display, & Alarm Notification

In A Small Economical Package

The OIS50 is a user definable 192 x 64 pixel (4.1" analog resistive) touch screen. The user can define a touch key actions for three events: 1. When the key is pressed, 2. While the key is pressed, 3. When the key is released. Multiple tasks can also be assigned to a single keystroke.

Tasks include:

- Coil operations (such as coil on, off, toggle, hold on or hold off).
- Register operations (such as write constant to registers, copy tags, etc.).
- Screen operations (such as go to a specific screen, go to the next defined screen, go to previous screen etc.),
- Alarm operations (acknowledge alarm, print alarm, select next/ previous alarm etc.).

Each user defined touch key can have different functions depending on the active screen. This can be used effectively to navigate easily through the application. Password protection can be defined for each key.

Changing Data

Data entry objects can be displayed on the OIS50 where data is to be changed. A numeric keypad object can be defined on the screen. Since every user wants different ways to edit the data, the keypad object provides full flexibility in cursor control and key operations during data entry. Several pre-defined keypad types are available.

Connected Devices

The OIS50 connects to all Toshiba T-Series PLCs, the Computer Link Port of the V2000/3000 Series Integrated Controllers, Toshiba ASDs and the V1000 Loop Controller. Check with Toshiba for other devices.

Available Objects

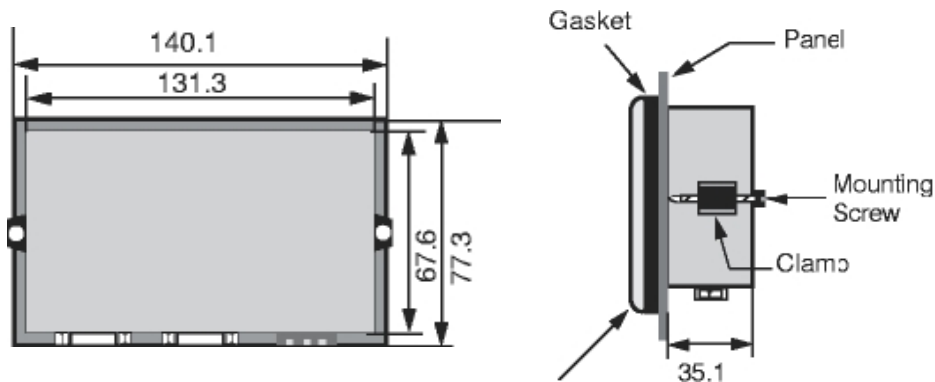
Various graphic objects are available in the OIS50 for display of data, entering data, or alarm notification. These include:

Keypads	Switches	Bit Map Pictures
Bit Map Buttons	Bar Graphs	Lamps
Multi State Objects	Circles	Rectangles
Push Buttons	Lines	

Specifications

Power	24 VDC \pm 10%, 3 W maximum
Bezel	IP 65 rated Touch Screen
Temperature	Operating: 0 to 50 degrees C Storage: -25 to 80 degrees C
Humidity	10% to 90% (Non condensing)
Bezel Size	140.1 W X 77.3 H x 35.1 D mm
Panel cutout	132.2 W X 68.6 H mm
Communication	Two serial ports, one for connecting to the PLC and one for programming / serial printing
Immunity to ESD	Level 3 as per IEC1000-4-2
Immunity to Transients	Level 3 as per IEC1000-4-4
Radiated Susceptibility	Level 3 as per IEC1000-4-3
Emissions	EN55011 CISPR A

Dimensional Sketch (All dimensions are in mm)



ADJUSTABLE SPEED DRIVES MOTORS CONTROLS UPS INSTRUMENTATION PLC DCS

TOSHIBA

Available Through:

TOSHIBA INTERNATIONAL CORPORATION

INDUSTRIAL DIVISION

13131 West Little York Rd Houston, TX 77041

Ph: 713-466-0277 Fax: 713-466-8773

US: 800-231-1412 Canada: 800-872-2192 Mexico: 001-800-527-1204

Email: plc@tic.toshiba.com Website: www.tic.toshiba.com

Free Manuals Download Website

<http://myh66.com>

<http://usermanuals.us>

<http://www.somanuals.com>

<http://www.4manuals.cc>

<http://www.manual-lib.com>

<http://www.404manual.com>

<http://www.luxmanual.com>

<http://aubethermostatmanual.com>

Golf course search by state

<http://golfingnear.com>

Email search by domain

<http://emailbydomain.com>

Auto manuals search

<http://auto.somanuals.com>

TV manuals search

<http://tv.somanuals.com>