

Satellite M60¹

Model	Description	Part Number	UPC
M60-S8112TD	Intel® Celeron® M 360J (1.40GHz 1MB L2 400MHz FSB), Integrated Intel® Graphics Media Accelerator 900, 40GB(P-ATA/5400rpm), 256MB PC4200 DDR2 533MHz SDRAM, CD-RW/DVD-ROM, 17" TFT LCD 1440x900 (WXGA), 8-cell, Wi-Fi™ Wireless-LAN Ready, 10/100Base-TX Ethernet, Microsoft® Windows® XP Home Edition SP2, 1-year standard limited warranty	PSM60U-02Y02J	032017386051
M60-S811TD	Intel® Celeron® M 360J (1.40GHz 1MB L2 400MHz FSB), Integrated Intel® Graphics Media Accelerator 900, 40GB(P-ATA/5400rpm), 256MB PC4200 DDR2 533MHz SDRAM, CD-RW/DVD-ROM, 17" TFT LCD 1440x900 (WXGA), 8-cell, Wi-Fi™ Wireless-LAN Ready, 10/100Base-TX Ethernet, Microsoft® Windows® XP Professional SP2, 1-year standard limited warranty	PSM60U-02Y02H	032017386044

System Characteristics²

Operating System³

- Microsoft® Windows® XP Professional SP2
- Microsoft® Windows® XP Home Edition SP2
- Toshiba® Express Media Player for quick access to CD, DVD

Choice of Processors⁴

- Intel Celeron® M Processor 360J [1.40GHz, 1MB L2, 400MHz FSB]
- Intel Pentium® M Processor 740 [1.73GHz, 2MB L2, 533MHz FSB]
- Intel Pentium® M Processor 760 [2.00GHz, 2MB L2, 533MHz FSB]

Chipset

- Mobile Intel® 915GM or 915PM Express Chipset depending on configuration

Memory⁵

- 256MB(Minimum)/2048MB (Maximum), 2 memory slots using 256MB, 512MB, or 1024MB PC4200 DDR2 533MHz SDRAM, dual-channel support requires two memory modules of the same capacity (both memory slots may be occupied).

Mass Storage

Choice of Hard Disk Drives:

- 40GB (5400 RPM), 60GB (5400 RPM), 80GB (5400 RPM), 100GB (5400 RPM) Enhanced IDE (ATA-6) hard disk drive; 9.5mm height, user removable

Choice of Optical Disk Drives⁶:

- Fixed Bay CD-RW/DVD-ROM
Maximum Speed:
CD-ROM (24x:read), CD-R (24x:write), CD-RW (10x:write), DVD-ROM (8x:read)
Compatibility:
CD-ROM (read), CD-R (read/write), CD-RW (read/re-write), DVD-ROM (read), DVD-R (read), DVD-RW (read), DVD+R (read), DVD-RAM (read)
- Fixed Bay DVD SuperMulti drive (double layer):
Maximum Speed:
CD-ROM (24x:read), CD-R (24x:write), CD-RW (24x:write), DVD-ROM (8x:read), DVD-R (8x:write), DVD-RW (4x:write), DVD+R (8x:write), DVD+R (Double Layer) (2.4x:write), DVD+RW (4x:write), DVD-RAM (3x:write)

Display⁷

- 17" diagonal TFT active-matrix LCD display at 1440 x 900 native resolution (WXGA)
- 17" diagonal TFT active-matrix LCD display at 1440x900 native resolution (WXGA) with TruBrite™ Technology
- 17" diagonal TFT active-matrix High Brightness LCD display at 1680x1050 native resolution (WSXGA+)
- Brightness Control by Fn+F6/F7 and TOSHIBA Power Saver

Choice of Graphics⁸

- Integrated Intel Graphics Media Accelerator 900; up to 128MB of graphics memory is taken from the main memory via UMA (Unified Memory Architecture)
- ATI MOBILITY™ RADEON® X600 SE PCI-E x16 with 128MB DDR (discrete graphics memory)

Sound

- Realtek ALC250 integrated 16-bit stereo software sound
- Built-in harman kardon® stereo speakers
- Direct 3D Sound (supported by driver); DirectSound (supported by driver), Direct Music (supported by driver), MIDI (play back) support,
- Sound Volume Control Dial
- SRS® TruSurround XT® and SRS® WOW™ Audio Enhancements⁹

Input Devices

- Keyboard with 10-Key Pad
 - 103 key US keyboard, 2.5mm key stroke, 5.7mm keyboard height, 19.05mm key pitch
 - Hot Key Functions (FN); please see electronic User's Guide for more information
 - Windows Key Function
 - Application Key Function
- Pointing Devices:
 - Toshiba TouchPad™
 - Enable/Disable (FN+F9 or by help of software)
- Buttons
 - Internet Browser Launch Button
 - CD Control Buttons (Skip to Previous Track, Play, Stop, Skip to Next Track)
 - Express Media Player Launch Button

Expandability

- 2 main memory slots. Both slots may be occupied.
- 1 Type II, PCMCIA R2.01, PC Card16, CardBus PC Card slot
- 1 slot for ExpressCard/34 or ExpressCard/54 (extended) module support
- Bridge Media Adapter slot (Secure Digital®, Memory Stick™, Memory Stick PRO™, Multi Media Card, xD Picture Card (shared slots)

Communications

- Integrated V.92 modem¹⁰
- Realtek 8100CB 10Base-T / 100Base-TX
- Choice of Wi-Fi™ Wireless-LAN¹¹:
 - Integrated Wireless-LAN Antenna only
 - Intel® Pro/Wireless Network Connection 2200BG (802.11b/g)
 - Intel® Pro/Wireless Network Connection 2915ABG (802.11a/b/g)

Ports

- RGB (monitor) port
- TV-out (S-Video)
- i.LINK™ IEEE-1394
- 3 Universal Serial Bus (USB) ports (v2.0)
- External Microphone jack (monaural)
- Headphone jack (stereo)
- RJ-45 LAN port
- RJ-11 modem port
- Fast Infrared (4Mbps) (IrDA 1.1) port

TOSHIBA

Physical Description

- Dimensions (WxDxH Front/H Rear): 15.51" (394mm) x 11.02" (280.3mm) x 1.17" (29.8mm) / 1.46" (37mm)
- Weight¹²: From 7.3lbs to 7.8lbs (3.32 to 3.55 kg) depending on configuration
- Indicators: DC-In, Power/Sleep, Hard Drive, CD-DVD ROM Access, Caps Lock, Numeric Lock, Scroll Lock, Battery Charging Status, Wireless, Multiple Digital Media Card Slot
- Choice of 3 System Colors
 - Peacock Blue (default)
 - Sunlight Copper
 - Mist Gray

Power Supply

- 75W (19V 3.95A) Auto sensing external AC Adapter 100-240V / 50-60Hz frequency (Universal) Input
- Weight: starting at 0.77 lbs (350g)
- Dimensions (WxDxH): 5.0" (128mm) x 2.0" (51mm) x 1.2" (30mm)

Battery¹³

- 8-cell (4300mAh) rechargeable, removable Lithium Ion (Li-Ion) battery pack
- Weight: Starting at 0.95 lbs (430g)
- Dimensions (WxDxH): 5.4" (136.1mm) x 3.6" (92.6mm) x 0.76" (19.4mm)
- Battery Life¹⁴: Up to 4:45 (hours:minutes) (8-cell battery)
- Recharge Time: Main Battery On / Off – up to 4 hrs / up to 12hrs

Security

- Physical Security
 - Slot for cable lock
 - Items protected by a screw: Memory, Hard Disk Drive, Built in Modem/LAN
 - Items protected by a sliding latch: Battery
- Software Security
 - Passwords: User Power-on password, Supervisor Password, Setup Password
 - Hotkey locks: Screen Blank (by Hotkey), Screen Saver (by software)

BIOS

- ACPI v1.0b, PNP v1.0a, VESA v2.0, DPMS, DDC, SM BIOS v2.34, PCI BIOS v2.2 support

Software¹⁵

Toshiba Software and Utilities

- Toshiba ConfigFree™
- Toshiba Custom Utilities
- Toshiba Notebook Maximizer
- Electronic User's Guide

Third-party Software

- Microsoft® Works™
- Microsoft® Office™ OneNote™
- Software Decoder: Intervideo® (WinDVD™ 5)
- Sonic® Solutions Drive Letter Access (DLA)
- Sonic® Solutions RecordNow! Basic
- McAfee® VirusScan™ (30-Day Trial)
- Adobe® Acrobat® Reader
- Arcsoft® Showbiz™ Trial Version
- Computer Associates eTrust EZ Firewall™ Trial Version
- Windows Media Player 10 with Napster plug-in
- Intuit® Quicken® New User Editon 2005
- Google ToolBar (30-day trial)
- AOL® Internet Service (3-months free)¹⁶

Environmental Specifications

	Operating	Non-Operating
Temperature¹⁷	5° to 35° C (41° to 95°F)	-20° to 65° C (-4° to 149°F)
Thermal Gradient	15°C per hour maximum	20°C per hour maximum
Relative Humidity	20% to 80%	10% to 95%
Altitude (relative to sea level)	-60 to 3000 meters	-60 to 10,000 meters
Shock	10G	60G
Vibration	0.5G	1.0G

Limited Warranty¹⁸

1-year Standard Limited Warranty

Standard Limited Warranty Upgrades and Extensions

Toshiba offers many different standard limited warranty extensions and enhanced service plans such as SystemGuard®, At-Home Repair, and Service Express to provide additional support to your notebook PC. For a full description and complete list of programs and program extensions, please visit www.pcsupport.toshiba.com

Recommended Services

Limited Warranty Extensions

Extends the standard limited warranty for up to 3 years from the original notebook purchase date. See Toshiba Service Plan Agreement for program terms and conditions at www.pcsupport.toshiba.com.

Part Number	Description
SWC-PEQQ2V	2 nd Year Limited Warranty Extension
SWP-PEQQ3V	2 nd /3 rd Year Limited Warranty Extension

SystemGuard¹⁹ Advanced Protection Coverage w/ ServiceExpress

Provides advanced protection from damage caused by accidental drops, spills and even screen breakage. Select your express repair service with either Depot Express or Carry-In Express and go to the front of the line. Limited Warranty Extension included except with 1 Year plan.

Part Number	Description
SWC-PSGQ1V	1 st Year
SWC-PEGQ2V	1 st /2 nd Year + Limited Warranty Extension
SWP-PEGQ3V	1 st /2 nd /3 rd Year + Limited Warranty Extension

SystemGuard¹⁹ Advanced Protection Coverage + At-Home Repair

Combines SystemGuard and At-Home Repair coverage. Limited Warranty Extension included except with 1 Year plan. ¹SystemGuard coverage must be purchased within the first 30 days of purchase. See Toshiba Service Plan Agreement for program terms and conditions at www.pcsupport.toshiba.com.

Part Number	Description
SWC-PSGH1V	1 st Year
SWC-PEGH2V	1 st /2 nd Year + Limited Warranty Extension
SWP-PEGH3V	1 st /2 nd /3 rd Year + Limited Warranty Extension

ServiceExpress

Select your express repair service with either Depot Express or Carry-In Express. Depot Express: Toshiba will make reasonable efforts to complete repair of your notebook and return the notebook to you by the next business day via overnight shipment (excluding weekends and holidays). Instructions and box will be provided to you for packing and shipping the notebook to Toshiba. Carry-In Express: A Premier ASP will make reasonable efforts to complete repair of your notebook by the next

TOSHIBA

business day (excluding weekends and holidays). Limited Warranty Extension included except with 1 Year plan. See Toshiba Service Plan Agreement for program terms and conditions at www.pcsupport.toshiba.com.

<u>Part Number</u>	<u>Description</u>
SWC-PSQP1V	1 st Year
SWC-PEQP2V	1 st /2 nd Year + Limited Warranty Extension
SWP-PEQP3V	1 st /2 nd /3 rd Year + Limited Warranty Extension

At-Home Repair

Toshiba will make reasonable efforts to provide on-site service at customer's home location by the second business day (excluding weekends and holidays) to perform the necessary hardware repairs. Limited Warranty Extension included except with 1 Year plan. See Toshiba Service Plan Agreement for program terms and conditions at www.pcsupport.toshiba.com.

<u>Part Number</u>	<u>Description</u>
SWC-PSQH1V	1 st Year
SWC-PEQH2V	1 st /2 nd Year + Limited Warranty Extension
SWP-PEQH3V	1 st /2 nd /3 rd Year + Limited Warranty Extension

Accessories

Memory

<u>Part Number</u>	<u>Description</u>
KTT533D2/256	Kingston DDR2 533MHz, 256MB
KTT533D2/512	Kingston DDR2 533MHz, 512MB
KTT533D2/1G	Kingston DDR2 533MHz, 1GB

Power

<u>Part Number</u>	<u>Description</u>
PA3432U-1ACA	Toshiba 75W Global AC Adapter
PA3431U-1BRS	Toshiba Primary Li-Ion Battery (8-cell)

Security & Protection

<u>Part Number</u>	<u>Description</u>
NWDFECL	Targus-Noteworthy DEFCON CL Cable Lock

Wireless/Bluetooth

<u>Part Number</u>	<u>Description</u>
PA3455U-1BTM	Toshiba USB Bluetooth 2.0 + EDR Capable Adapter

Storage

<u>Part Number</u>	<u>Description</u>
PA3109U-1FDD	Toshiba USB Floppy Disk Drive Kit

For additional and most updated accessories, please visit www.accessories.toshiba.com

Subject to Change

While Toshiba has made every effort at the time of publication to ensure the accuracy of the information provided herein, product specifications, configurations, prices, system/component/options availability are all subject to change without notice. For the most up-to-date product information about your computer, or to stay current with the various computer software or hardware options, visit Toshiba's Web site at <http://www.pcsupport.toshiba.com>.

Return Policy

Notwithstanding anything to the contrary in any third party License Agreement or product documentation supplied with your PC, Toshiba America Information Systems, Inc. ("TAIS") does not accept the return of component parts, or bundled software, that have been removed from the PC system. Pro-rata refunds on individual PC components or bundled software, including the operating system, will not be granted. If you wish to return a complete PC system, contact the TAIS dealer where you purchased the product, and comply with the dealer's standard return policies and procedures.

Toshiba America Information Systems, Incorporated ("TAIS")
9740 Irvine Boulevard

Irvine CA 92618

ToshibaDirect website: <http://www.toshibadirect.com>

TAIS website for resellers: <http://sell.toshiba.com>

TAIS PC Support website: <http://pcsupport.toshiba.com>

Portégé, Satellite, Tecra, Slim SelectBay and SystemGuard are registered trademarks and ConfigFree is a trademark of Toshiba America Information Systems, Inc. and/or Toshiba Corporation. Intel, Celeron, Centrino, Intel Inside, Pentium, the Intel Centrino logo, and the Intel Inside logo are trademarks or registered trademarks of Intel Corporation or its subsidiaries in the United States and other countries. Microsoft and Windows are registered trademarks and OneNote is a trademark of Microsoft Corporation in the United States and/or other countries. Winstone® is a registered trademark and BatteryMark™ is a trademark of Ziff Davis Publishing Holdings Inc. in the U.S. and other countries. MobileMark™ is a trademark of the Business Applications Performance Corporation. Wi-Fi is a registered certification mark of the Wi-Fi Alliance. The Bluetooth word mark and logos are owned by the Bluetooth SIG, Inc. and any use of such marks by Toshiba is under license. NVIDIA and GeForce are registered trademarks or trademarks of NVIDIA Corporation in the United States and/or other countries. All other trademarks are the property of their respective owners.

¹ **Product Series Legal Footnote.** The product specifications and configuration information are designed for a product Series. Your particular model may not have all the features and specifications listed or illustrated.

Product Offering Legal Footnote. Toshiba America Information Systems, Inc. reserves the right to modify or withdraw this offer at anytime without notice.

² **Build-to-Order/Configure-to-Order.** Certain notebook chassis are designed to accommodate all possible configurations for an entire product series. Your select model may not have all the features and specifications corresponding to all of the icons or switches shown on the notebook chassis, unless you have selected all those features. Configuring (customization) of your notebook takes an additional 12 to 15 working days.

³ **Operating System.** Certain Microsoft® software product(s) included with this computer may use technological measures for copy protection. IN SUCH EVENT, YOU WILL NOT BE ABLE TO USE THE PRODUCT IF YOU DO NOT FULLY COMPLY WITH THE PRODUCT ACTIVATION PROCEDURES. Product activation procedures and Microsoft's privacy policy will be detailed during initial launch of the product, or upon certain reinstallations of the software product(s) or reconfigurations of the computer, and may be completed by Internet or telephone (toll charges may apply). Some software may differ from its retail version (if available), and may not include user manuals or all program functionality.

⁴ **Processor (Central Processing Unit).** CPU performance in your computer product may vary from specifications under the following conditions:

1. use of certain external peripheral products
2. use of battery power instead of AC power
3. use of certain multimedia, computer generated graphics or video applications
4. use of standard telephone lines or low speed network connections
5. use of complex modeling software, such as high end computer aided design applications
6. use of several applications or functionalities simultaneously
7. use of computer in areas with low air pressure (high altitude >1,000 meters or >3,280 feet above sea level)
8. use of computer at temperatures outside the range of 5°C to 30°C (41°F to 86°F) or >25°C (77°F) at high altitude (all temperature references are approximate and may vary depending on the specific computer model – please visit the Toshiba website at www.pcsupport.toshiba.com for details).

CPU performance may also vary from specifications due to design configuration.

Under some conditions, your computer product may automatically shut-down. This is a normal protective feature designed to reduce the risk of lost data or damage to the product when used outside recommended conditions. To avoid risk of lost data, always make back-up copies of data by periodically storing it on an external storage medium. Use your computer product only under recommended conditions. Read additional restrictions under "Environmental Conditions" in your product "Detailed Specs." Contact Toshiba Technical Service and Support for more information.

⁵ **Memory (Main System).** Part of the main system memory may be used by the graphics system for graphics performance and therefore reduce the amount of main system memory available for other computing activities. The amount of main system memory allocated to support graphics may vary depending on the graphics system, applications utilized, system memory size and other factors.

⁶ **Hard Disk Drive (HDD) Capacity.** 1 Gigabyte (GB) means 1000 x 1000 x 1000 = 1,000,000,000 bytes using powers of 10. The computer operating system, however, reports storage capacity using powers of 2 for the definition of 1 GB = 1024 x 1024 x 1024 = 1,073,741,824 bytes, and therefore may show less storage capacity. Available storage capacity will also be less if the product includes one or more pre-installed operating systems, such as Microsoft Operating System and/or pre-installed software applications, or media content. Actual formatted capacity may vary.

⁷ **Display.** Small bright dots may appear on your screen display when you turn on your PC. Your display contains an extremely large number of thin-film transistors (TFT) and is manufactured using high-precision technology. Any small bright dots that may appear on your display are an intrinsic characteristic of the TFT manufacturing technology. Over a period of time, and depending on the usage of the computer, the brightness of the screen will deteriorate. This is also an intrinsic characteristic of the screen technology.

When the computer is operated on battery power, the screen with dim and you may not be able to increase the brightness of the screen while on battery power

⁸ **Graphics (Graphics Processing Unit).** GPU performance may vary depending on product model, design configuration, applications, power management settings and features utilized. GPU performance is only optimized when operating in AC power mode and may decrease considerably when operating in battery power mode.

⁹ **Sound.** SRS® TruSurround XT® only available in Windows

¹⁰ **Modem Speed.** Due to FCC limitations, speeds of 53 kbps are the maximum permissible transmission rates during download. Actual data transmission speeds will vary depending on line conditions.

¹¹ **Wireless.** Wireless connectivity and some features may require you to purchase additional software, external hardware or services. Availability of public wireless LAN access points may be limited. The transmission speed over the wireless LAN and the distance over which wireless LAN can reach may vary depending on surrounding electromagnetic environment, obstacles, access point design and configuration, and client design and software/hardware configurations. The actual transmission speed will be lower than the theoretical maximum speed. To use the Atheros SuperAG™ or SuperG™ wireless function, if available, your client and access point must support the corresponding feature. Performance of these functions may vary depending on the format of data transmitted.

¹² **Weight.** Weight may vary depending on product configuration, vendor components, manufacturing variability and options selected

¹³ **Battery Life.** Battery life may vary considerably from specifications depending on product model, configuration, applications, power management settings and features utilized, as well as the natural performance variations produced by the design of individual components.

Published battery life numbers are achieved on select models and configurations tested by Toshiba at the time of publication. See "Detailed Specs" for specific battery measurement test. Recharge time varies depending on usage. Battery may not charge while computer is consuming full power. After a period of time, the battery will lose its ability to perform at maximum capacity and will need to be replaced. This is normal for all batteries. To purchase a new battery pack, see the accessories information that shipped with your computer or visit the Toshiba web site at www.accessories.toshiba.com.

Express Media Player is not a Windows based application. Battery life will be less than when using similar applications in the Windows Operating System.

¹⁴ **Battery Life - MobileMark™.** Measured by MobileMark. MobileMark is a trademark of the Business Applications Performance Corporation.

¹⁵ **Software.** Some software may differ from its retail version (if available), and may not include user manuals or all program functionality. Certain Microsoft® software product(s) included with this computer may use technological measures for copy protection. IN SUCH EVENT, YOU WILL NOT BE ABLE TO USE THE PRODUCT IF YOU DO NOT FULLY COMPLY WITH THE PRODUCT ACTIVATION PROCEDURES. Product activation procedures and Microsoft's privacy policy will be detailed during initial launch of the product, or upon certain reinstallations of the software product(s) or reconfigurations of the computer, and may be completed by Internet or telephone (toll charges may apply).

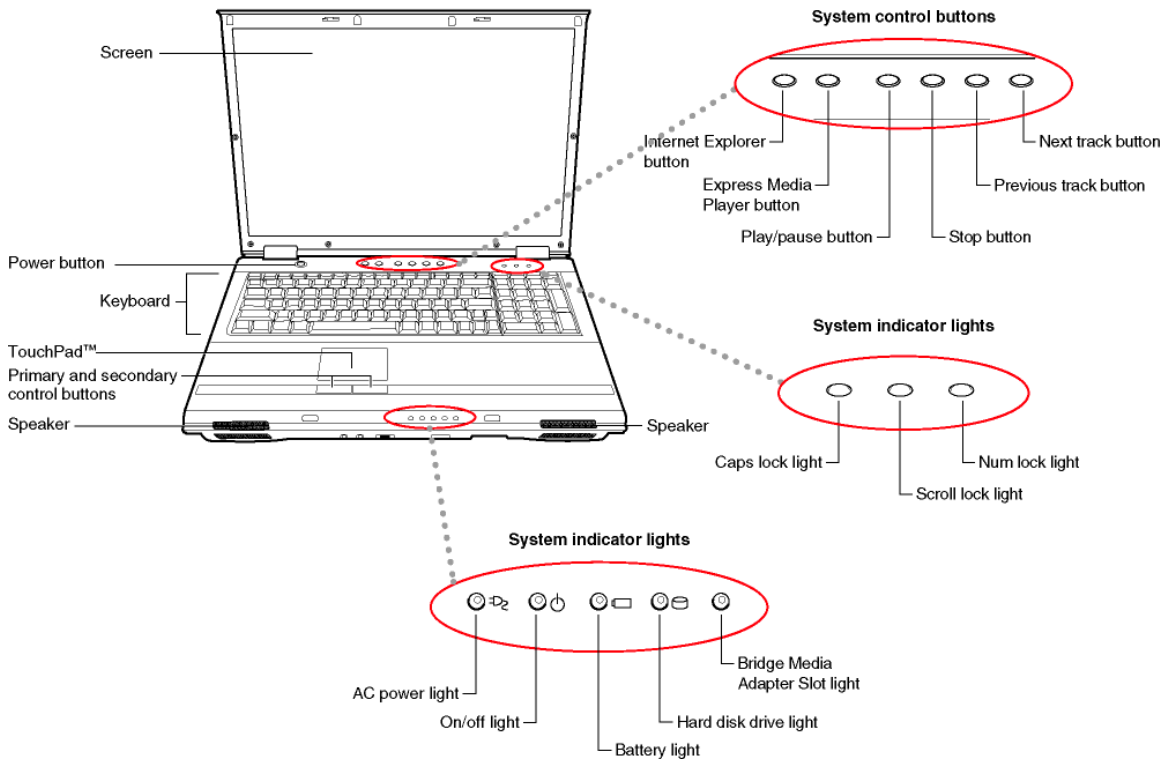
¹⁶ **AOL® Internet Service.** Availability may be limited, especially during peak times. TO AVOID BEING CHARGED A MONTHLY MEMBERSHIP FEE, SIMPLY CANCEL BEFORE THE THREE-MONTH PROMOTIONAL PERIOD ENDS. Premium services carry surcharges and communication surcharges may apply, including AK, even during promotional period. Members may incur telephone charges on their phone bill, depending on their location and calling plan, even during promotional period. Available to new AOL members in the United States, age 18 or older; a major credit card or checking account is required.

¹⁷ **Temperature (Environmental) Conditions.** All temperature references are approximate and the performance of your computer may vary from specifications even when operating within the recommended temperature range.

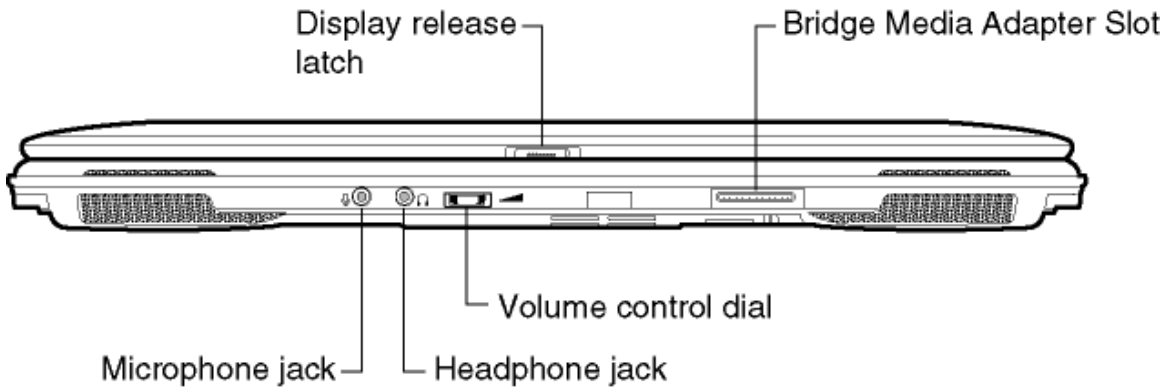
¹⁸ **Warranty.** Toshiba's standard limited warranty, extended warranty and service upgrade terms and conditions are available at <http://www.warranty.toshiba.com>

¹⁹ **SystemGuard** is only available within 30 days of hardware purchase.

Front with display open



Front with display closed

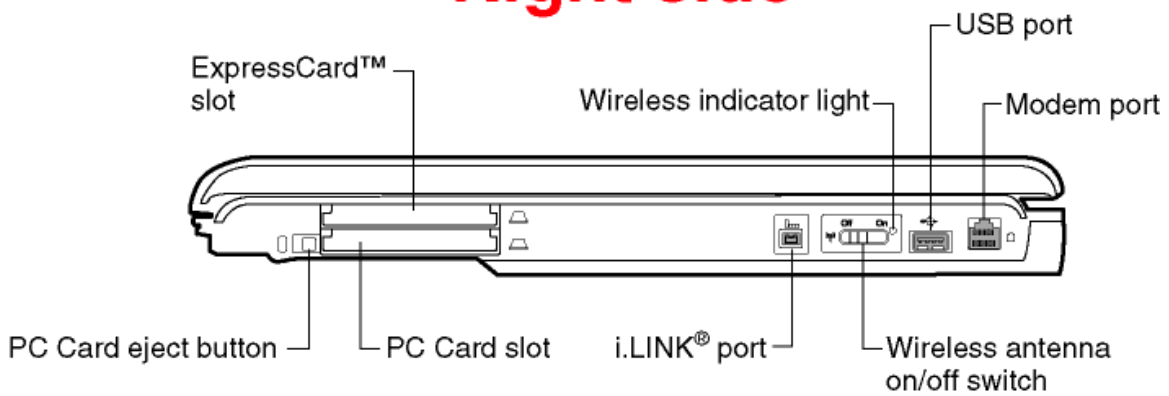


Left side

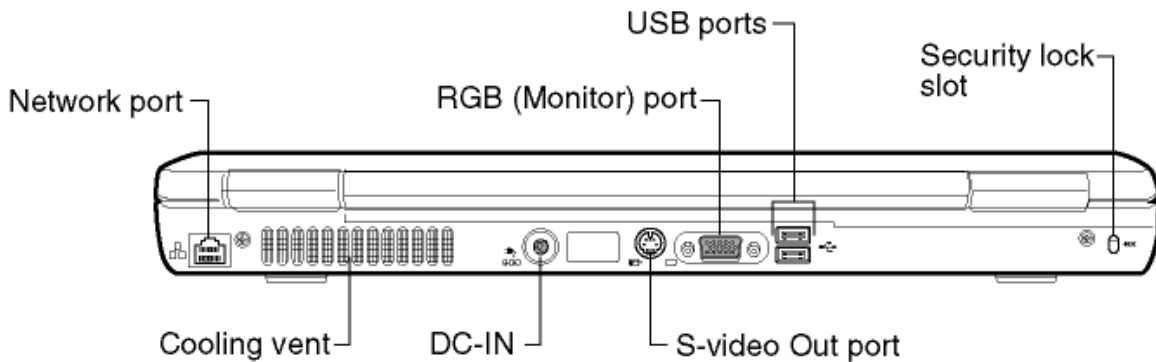


DVD-ROM or SuperMulti
sample drive shown

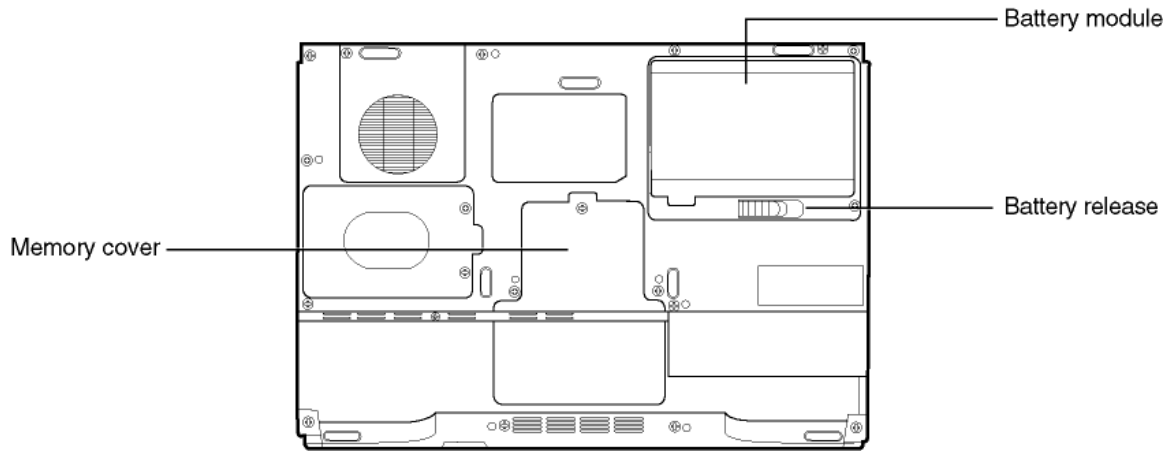
Right side



Back



Underside



Free Manuals Download Website

<http://myh66.com>

<http://usermanuals.us>

<http://www.somanuals.com>

<http://www.4manuals.cc>

<http://www.manual-lib.com>

<http://www.404manual.com>

<http://www.luxmanual.com>

<http://aubethermostatmanual.com>

Golf course search by state

<http://golfingnear.com>

Email search by domain

<http://emailbydomain.com>

Auto manuals search

<http://auto.somanuals.com>

TV manuals search

<http://tv.somanuals.com>