

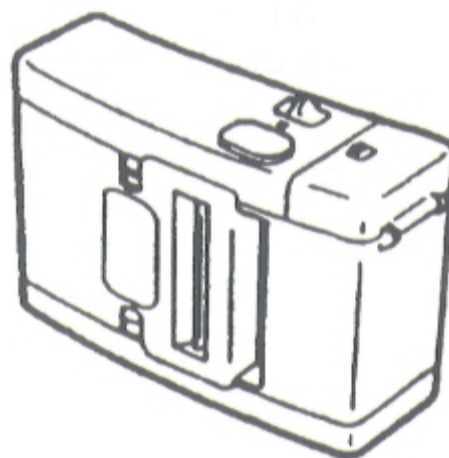
**TEC**

TEC Portable Printer

# **B-210 SERIES**

## **Owner's Manual**

Document No. **EM1-33043D**



**TOSHIBA TEC CORPORATION**

# DECLARATION OF CONFORMITY

Manufacturer : TEC Corporation  
Address : 570 Ohi to. Ohito-Cho.  
Tagata-Gun, Shizuoka-Ken,  
41 D-23 Japan

declares that following  
product

Product Name : Bar Code Printer  
model : B-210 Series  
options : All

Conforms to the following  
Product Specifications

Safety : EN 60 950  
EMC : EN 56 022  
IEC 801 -2  
IEC 801-3

## Supplementary Information

The product herewith complies with the requirements of the Low Voltage Directive 73/23/EEC. and the EMC directive 89/336/EEC.

- 1) The product was tested in a typical set up  
TEC personnel advocated.
- 2) The following technical documentation has  
been filed for review.
  - Factory Inspection Certificate by TUV  
Rheinland
  - Owner's Manual
  - Schematic
  - Certificates and Test Reports

## TABLE OF CONTENTS

	Page
1. INTRODUCTION .....	1-1
1.1 APPLICABLE MODEL .....	1-10
1.2 ACCESSORIES .....	1-11
2. SPECIFICATIONS .....	2-1
2.1 PRINTER .....	2-1
2.2 SERIAL INTERFACE (RS-232C) .....	2-2
2.3 RADIO INTERFACE .....	2-2
2.4 IrDA INTERFACE .....	2-3
2.5 MEDIA .....	2-4
3. APPEARANCE .....	3-1
3.1 FRONT/REAR VIEW .....	3-1
3.2 OPERATION PANEL .....	3-2
4. INSTALLING THE PRINTER .....	4-1
4.1 LOADING THE BATTERY .....	4-1
4.2 INSTALLING THE MEDIA GUIDE .....	4-3
5. LOADING THE MEDIA .....	5-1
6. SECURING THE PRINTER TO YOUR WAIST .....	6-1
7. ISSUING THE MEDIA .....	7-1
8. CARE/HANDLING OF THE MEDIA .....	8-1

	Page
9. GENERAL MAINTENANCE .....	9-1
9.1 CLEANING .....	9-1
9.2 COVERS AND OPERATION PANEL .....	9-3
9.3 REMOVING JAMMED MEDIA .....	9-4
10. TROUBLESHOOTING .....	10-1

**CAUTION:**

- 1. This manual may not be copied in whole or in part without the prior written permission of TEC.*
- 2. The contents of this manual may be changed without notification.*
- 3. Please refer to your local Authorized Service representative with regard to any queries you may have in this manual.*

Copyright © 1997  
by TEC CORPORATION  
All Rights Reserved  
570 Ohito. Ohito-cho. Tagata-gun. Shizuoka-ken. JAPAN

## 1. INTRODUCTION

Thank you for purchasing the TEC B-210 series portable printer.

The B-210 printer displays its high performance with extraordinarily high speed printing up to 50.8 mm/sec. It has a considerably compact and light body of 88 mm in height, 128 mm in width and 50 mm in depth, weighing about 460 g.

As data communication method, minute radio communication (for GH11 and GH12 models) or IrDA (GH24 model), which requires no cable for data transmission between a handy terminal and the printer, is adopted.

Owing to a low power consumption design and use of a chargeable lithium battery as a power source, this printer can issue 300 pieces of 40-mm pitch labels with a fully-charged battery.

Loading a label roll is very simple; just put a label roll into the printer and close the media cover. A belt holder provided on the rear of the printer enables the printer to be held hands-free at your waist for improved productivity.

This manual contains general set-up and maintenance information and should be read carefully to help gain maximum performance and life from your printer. For most queries please refer to this manual and keep it safe for future reference.

**FCC Notice**

This equipment has been tested and found to comply with the limits for a Class B digital device, pursuant to Part 15 of the FCC Rules. These limits are designed to provide reasonable protection against harmful interference in a residential installation. This equipment generates, uses, and can radiate radio frequency energy and, if not installed and used in accordance with the instructions, may cause harmful interference to radio communications. However, there is no guarantee that interference will not occur in a particular installation. If this equipment does cause harmful interference to radio or television reception, which can be determined by turning the equipment off and on, the user is encouraged to try to correct the interference by one or more of the following measures:

- Reorient or relocate the receiving antenna.
- Increase the separation between the equipment and receiver.
- Connect the equipment into an outlet on a circuit different from that to which the receiver is connected.
- Consult the dealer or an experienced radio/TV technician for help.

Changes or modifications not expressly approved by manufacturer for compliance could void the user's authority to operate the equipment.

**CAUTION**

*To avoid injury, be careful not to catch or jam your fingers while opening or closing the cover.*

**CAUTION**

*Do not touch moving parts. To reduce the risk that fingers, jewelry, clothing, etc., be drawn into the moving parts, push the switch in the "O" position to stop movement.*

**Safety Summary**

Personal safety in handling or maintaining the equipment is extremely important. Warnings and Cautions necessary for safe handling are included in this manual. All warnings and cautions contained in this manual and written inside or outside of the printer should be read and understood before handling or maintaining the equipment.

Do not attempt to effect repairs to this equipment. If a fault occurs that cannot be rectified using the procedures described in this manual, turn off the power, then contact your authorised TOSHIBA TEC representative for assistance.

## Safety Precautions

This Owner's Manual and the products (machines) which you have purchased contain indications which should be observed in order to use the machines safely and prevent harm to yourself and others and damage to property. The meanings of these indications and symbols are given below.

Read these indications and become familiar with their contents before reading this Owner's Manual.



### WARNING

This indicates that there is the risk of **death** or **serious injury** if the machines are improperly handled contrary to this indication.

- If water or any other liquid enters the machine, turn off the power. Continuous use of the machine under such conditions may cause fire or electric shock.
- If the enclosure is damaged when dropped or subject to shock, turn off the power. Continuous use of the machine under such conditions may cause fire or electric shock.
- Avoid continuous exposure to direct sunlight or high temperature as this may cause fire.
- Do not remove covers or modify the machine by yourself. Doing so may cause fire or electric shock.



- Avoid water, operation with wet hands or cleaning with a moistened cloth. Failure to do this may cause fire or electric shock.
- Do not wipe the machine with a cloth moistened with thinner or other volatile solvent as this may cause fire or electric shock.
- Use the specified battery only. Failure to do this may cause fire or electric shock.
- Danger of explosion if the battery is incorrectly replaced. Replace the battery only with 'TOSHIBA TEC Corporation, Battery Pack Type B-213-BT, 7.2 V 1350 mAh Li-ion'. Discard used batteries according to the manufacturer's instruction.
- **ATTENTION:**  
Il ya d'explosion s'il ya remplacement incorrect de la batterie. Remplacer uniquement avec une batterie du même type ou d'un type équivalent recommandé par le constructeur.  
Mettre au rebut les batteries usagées conformément aux instructions du fabricant.
- Do not disassemble and modify the battery because it has a protection unit in it. Doing so may break the protection unit, causing the battery to heat up, burst or burn.

- If the battery gets wet, dry it completely. Using a wet battery may cause fire or electric shock.
- Be aware of the following precautions when using batteries. Otherwise they could heat up, burst or burn.
  - Do not throw the battery into fire or heat it with a microwave or oven, etc.
  - Do not load the battery with the electrodes reversed.
  - Do not connect the electrodes with metal objects like wire. Do not carry or store the battery along with metal objects such as necklaces, hairpins, etc.
  - Do not stick a needle into, hammer, step on, or drop the battery.
  - Do not solder the battery.
  - Do not leave the battery where the temperature is more than 60° centigrade, such as inside a car or

**CAUTION**

This indicates that there is the risk of personal **injury** or **damage** to objects if the machines are improperly handled contrary to this indication.

- Keep away from flame or other sources of heat. Failure to do this may cause fire or machine failure.
- Do not drop or shock the machine as this may cause machine failure.
- During lightening, turn off and keep away from the machine because of danger of electric shock and machine failure.
- Avoid locations subject to rapid change in temperature as this causes condensation, causing electric shock or machine failure.
- Do not damage the print head, platen or strip roller with a sharp object. Doing so may cause machine failure.
- Do not touch or contact the print head element with a metal object. Doing so may cause machine failure.
- Use the specified media only. Failure to do this may cause machine failure.
- Be sure to turn off the machine before replacing the battery, or machine failure may occur.
- Do not charge the battery near flame or under direct sunlight. High temperature may activate or damage the protection unit of the battery, disabling the electric charge or causing it to overheat, burst, or burn.

- Unload the battery when the machine will not be used for a long time. Failure to do this may cause machine failure.
- Keep the battery away from flame, a heat source or other locations subject to high temperature.  
Failure to do this may cause it to over heat or burn.
- Use the specified battery charger only. Failure to do this may cause the battery to overheat, burst or burn.
- Do not force the battery into the machine or battery charger. Doing so may cause the battery to overheat, burst or burn. Check for the correct electrode.
- Do not connect the battery to a power outlet or a car cigarette lighter jack as this may cause the battery to overheat, burst or burn.
- Because the B-213-BT battery is exclusively for the B-210 printer, do not use the battery in other machines. Doing so may damage the battery or affect the performance and life of the battery.

## Precautions

The following precautions will help to ensure that this machine will continue to function correctly.

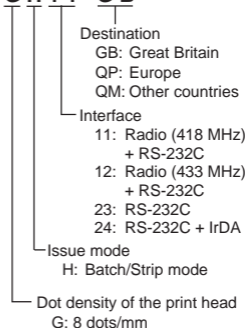
- ① Try to avoid locations that have the following adverse conditions:
  - \* Temperatures below  $-5^{\circ}\text{C}$  and above  $40^{\circ}\text{C}$
  - \* Direct sunlight
  - \* Excessive vibration
- ② The cover should be cleaned by wiping with a dry cloth or a cloth slightly dampened with a mild detergent solution. NEVER USE THINNER OR ANY OTHER VOLATILE SOLVENT on the plastic covers.
- ③ USE ONLY TOSHIBA TEC SPECIFIED media.
- ④ DO NOT STORE the media where they might be exposed to direct sunlight, high temperatures, high humidity, dust, or gas.
- ⑤ Any data stored in the memory of the printer could be lost during a printer fault.
- ⑥ DO NOT open the media cover and battery cover during operation. Doing so will stop printer operation.
- ⑦ DO NOT scratch the surface of printed labels or receipt with a sharp object.

## 1.1 APPLICABLE MODEL

- B-210 Series

Model name description

**B - 2 1 1 - G H 1 1 - G B**



**NOTE:** *The B-211-GH11-GB model is for exclusive use in Great Britain.*

## 1.2 ACCESSORIES

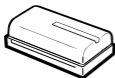
Owner's Manual



Print Head Cleaner



Battery



Media Guide



## 2. SPECIFICATIONS

### 2.1 PRINTER

Item	Description
Dimensions	128 mm (W) x 88 mm (H) x 50 mm (D)
Weight	Approximate 460 g, 450 g* (Including a battery)
Operating temperature	-5°C ~ 40°C
Operating humidity	25%~ 85% RH (No condensation)
Issue mode	Batch mode/Strip mode
Print head	Thermal print head
Print method	Thermal direct
Print head dot density	8 dots/mm (203 dpi)
Print speed	Max. 50.8 mm/sec.
Effective print width	48 mm
Fonts	Standard characters and characters under bar codes: 12x24 dots Writable characters: 24x24 dots Times Roman: 21 point Helvetica: 18 point Letter Gothic: 14.3 point Courier: 15 point Presentation: 27 point
Bar code types	NW7, EAN 8, EAN 13, CODE 39, Interleave 2 of 5 PDF417, EAN128, CODE128
Interface	<ul style="list-style-type: none"> <li>• GH11 model RS-232C or radio (418 MHz)</li> <li>• GH12 model RS-232C or radio (433 MHz)</li> <li>• GH23 model RS-232C</li> <li>• GH24 model RS-232C + IrDA</li> </ul>
Power source	Lithium ion battery 7.2V 1350mA (official)

\*: Available only on the GH23 model.



## 2.2 SERIAL INTERFACE (RS-232C)

Item	Description
Baud rate	9600 bps
Protocol	XON/XOFF, 8 bit data, Even parity, Stop bit = 1 bit
Signals	TXD, RXD, RTS, CTS

## 2.3 RADIO INTERFACE

The following specification is applicable only to the GH11 and GH12 models.

Item	Description
Type	FM superhet UHF radio telemetry receiver (Complies with MPT1340*, ETS300-220**)
Receiving frequency	418 MHz*, 433.92 MHz**
Communication method	Unidirectional (Receive only)
Transmission speed	4800 bps
Protocol	8 bit data, non parity, stop bit = 1 bit
Communicating distance	3 m

\*: GH11 model

\*\* : GH12 model

**NOTE:** *The RS-232C interface cable must be disconnected when using the radio communication.*

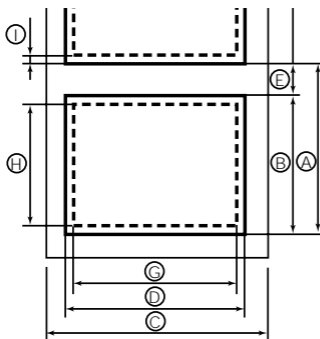
## 2.4 IrDA INTERFACE

The following specification is applicable only to the GH24 model.

Item	Description
Type	Physical layer conforming to IrDA-SIR V1.0
Transmission speed	19200 bps
Communicable distance	0.3 m max.
Peak wavelength of the infrared ray	850 to 900 nm
Communicable angle	$\pm 15^\circ$ degrees max.
Ambient light immunity	1,000 lx max. (under a fluorescent lamp or incandescent lamp)
Intensity of emission	Min. 36mW/SR ( $\theta_h$ , $\theta_v \leq \pm 15^\circ$ )
Receivable infrared ray	Min. $7\mu\text{W}/\text{cm}^2$ ( $\theta_h$ , $\theta_v \leq \pm 15^\circ$ )
Protocol	Start-stop synchronization, Half duplex transmission Start bit = 1 bit, Stop bit = 1 bit, 8 bit data, Non parity

## 2.5 MEDIA

### Label



↓ Feed direction

### Receipt paper

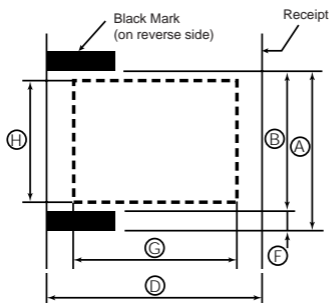


Fig. 2-1

## 2. SPECIFICATIONS

EM1-33043D

2.5 MEDIA

(Unit: mm)

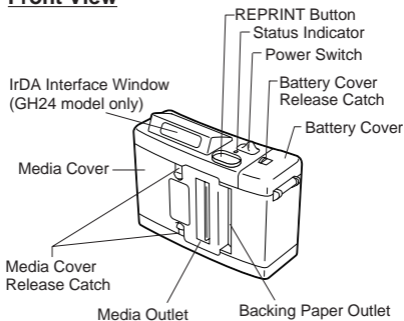
Item	Issue mode		Batch mode	Strip mode
	Label	Receipt		
Ⓐ Label/Receipt Pitch			10.0 ~ 167.0	13.0 ~ 67.0
Ⓑ Label/Receipt length			7.0 ~ 160.0	10.0 ~ 60.0
Ⓒ Width including backing paper			34, 37, 40, 43, 46, 49, 52, 55±0.5	
Ⓓ Media width	Label		31.0 ~ 52.0	
		Receipt	34, 37, 40, 43, 46, 49, 52, 55±0.5	
Ⓔ Gap length			3.0 ~ 7.0	
Ⓕ Black mark length			3.0 ~ 7.0	
Ⓖ Effective print width			~ 48.0	
Ⓗ Effective print length			7.0 ~ 160.0	
Ⓙ Margin			1.0 (gap = 7 mm) ~ 5.0 (gap = 3 mm)	
Outer roll diameter			ø34 (Max.)	
Roll way			The print side facing inside	
Thickness	Label		111µm	
		Receipt	65µm	

**NOTE:** Do not use media other than the above to ensure print quality and print head life.

## 3. APPEARANCE

### 3.1 FRONT/REAR VIEW

#### Front View



#### Rear View

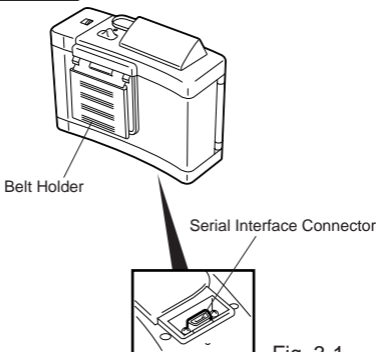


Fig. 3-1

## 3.2 OPERATION PANEL



STATUS



### REPRINT Button

Each time this button is pressed, the printer issues the same label as the previous one. When the button is held, the printer issues labels continuously.

Receipts are fed for 20 mm by pressing this button once.

### STATUS Indicator (Red)

The status indicator lights, and then goes off at power on.

The indicator which does not light or stays lit indicates the loaded battery is uncharged.

### Power Switch

A slide power switch

## 4. INSTALLING THE PRINTER

### 4.1 LOADING THE BATTERY

**CAUTION:**

1. Be sure to turn off the printer before loading the battery.
2. Use the specified battery only. Failure to do this may cause fire or electric shock.
3. In the United States, used lithium ion batteries should be returned to the store where you bought the machine. (USA only)
4. **LITHIUM ION BATTERY DISPOSE OF PROPERLY**  
*Caution: Do not handle damaged or leaking lithium ion battery.*

- 1) Slide the battery cover release catch toward the direction indicated by the arrow and open the battery cover.

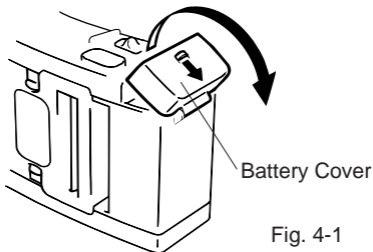


Fig. 4-1

## 4.1 LOADING THE BATTERY

- 2) Load a fully charged battery into the printer.

**NOTE:** Remove the battery pack cover from the battery, and then load the battery in the correct orientation as indicated in the following figure.

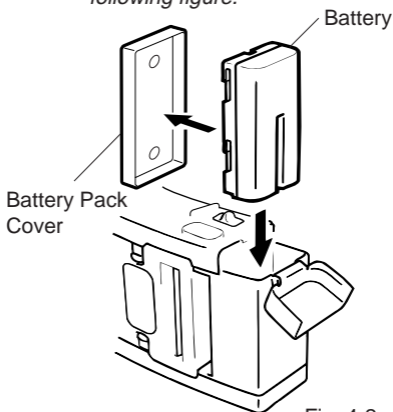


Fig. 4-2

- 3) Close the battery cover completely.
- 4) Turn on the printer and the status indicator will blink, then go off. The status indicator which does not light or stays lit indicates that the battery is uncharged.



## 4.2 INSTALLING THE MEDIA GUIDE

**NOTE:** *The media guide is not required for a 55 mm wide label roll.*

- 1) Slide the media cover release catches and open the media cover.

### **WARNING!**

*A cutter is attached to the inside of the media cover. Care should be taken not to injure your hand with the cutter when opening the cover.*

- 2) Fit the media guide into a slot which corresponds to the width of media to be used. First insert portion ①, then ② until it snaps in position.

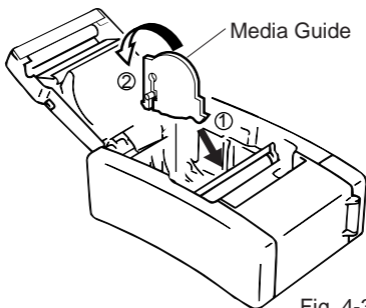
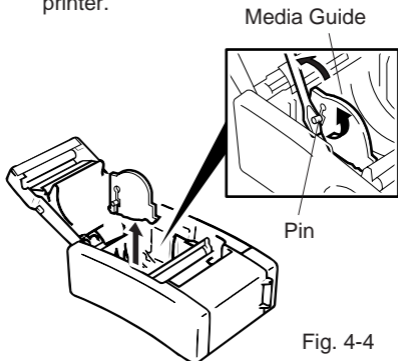


Fig. 4-3

Unit: mm

Slot	1st	2nd	3rd	4th	5th	6th	7th
Media Width	52	49	46	43	40	37	34

- 3) To remove or relocate the media guide, push up the pin on the media guide with a screw driver or equivalent, and remove the media guide from the printer.



## 5. LOADING THE MEDIA

### **WARNING!**

*A cutter is attached to the inside of the media cover. Care should be taken not to injure your hand with the cutter when opening the cover.*

This printer prints both labels and receipts.

1. Turn off the printer.
2. Slide the media cover release catches in the direction indicated by arrows (A) and open the media cover.

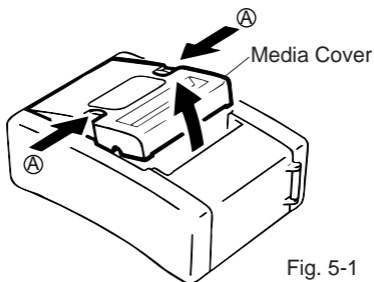


Fig. 5-1

- Put a label roll or a receipt roll into the media holder unit in the orientation as shown below.

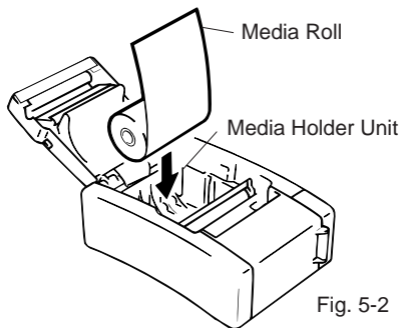


Fig. 5-2

- Batch issue**

- Insert the leading edge of the label roll into the media outlet.

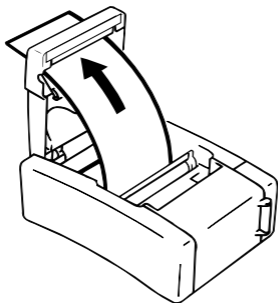


Fig. 5-3

2. Close the media cover completely. Make sure that the media cover release catches snap back into position.

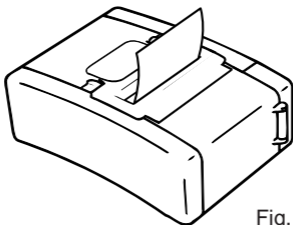


Fig. 5-4

3. Turn on the printer and press the REPRINT button. The printer will align the print start position for the label. When using receipts, the printer will feed for 20 mm.

- **Strip issue**

1. Unroll the label roll a little and remove a label.

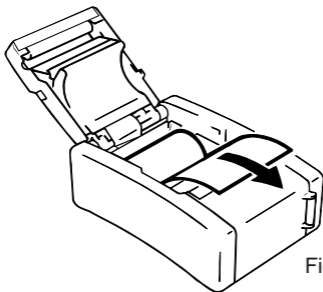


Fig. 5-5

2. Close the media cover completely. Make sure that the media cover release catches snap back into position.

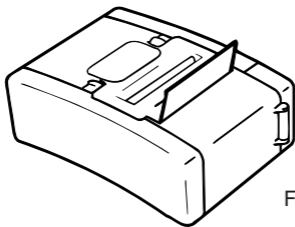


Fig. 5-6

3. Turn on the printer and press the REPRINT button. The printer will align the print start position.

**NOTES:**

1. *Be sure to take up any slack in the media roll before closing the media cover. An incompletely closed cover will cause a media skew, print position misalignment, poor print quality, paper jam, etc.*
2. *If the media cover is closed while the printer is turned on, the printer will automatically feed a label to align the print position.*

6. SECURING THE PRINTER TO YOUR WAIST EM1-33043D  
YOUR WAIST  
6. SECURING THE PRINTER TO YOUR WAIST

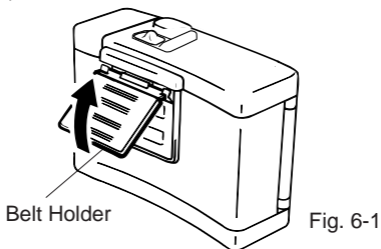
---

## 6. SECURING THE PRINTER TO YOUR WAIST

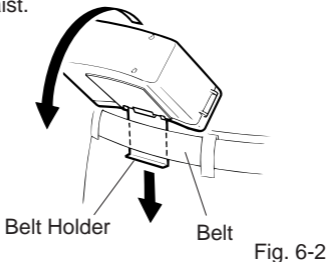
**CAUTION:**

*Care should be taken not to drop the printer when securing it to your waist.*

- 1) Lift the belt holder.



- 2) Insert the belt holder into your belt and lower the printer to secure it to your waist.

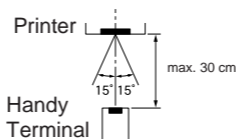
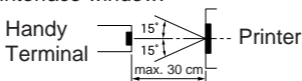




## 7. ISSUING THE MEDIA

### CAUTIONS:

1. Radio communication between a handy terminal and the B-210 printer is guaranteed when the handy terminal is in the operator's hand and the printer is secured at the waist. Proper radio communication may not be obtained when used in other conditions and in areas subject to noise and radio interference.
2. Be sure to disconnect the RS-232C interface cable from the printer before performing radio communication or IrDA.
3. To perform the radio communication or IrDA, the printer must be synchronized with the handy terminal.
4. IrDA is available on the condition indicated below. The following performance is obtained under the fluorescent lamp (max. 1000lx). Care must be taken to prevent direct sunlight from coming into the IrDA interface window.



1. Turn on the printer.
2. Send data from the handy terminal to the printer. (Regarding the operation of the handy terminal, please refer to the handy terminal's operating manual.)  
(Radio Communication Sample)

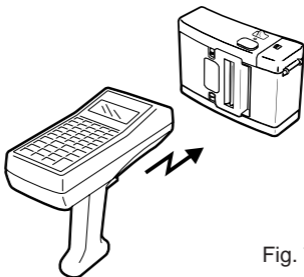


Fig. 7-1

3. Issuing labels
  - 1) The number of labels are specified when issuing labels in batch mode. To re-issue the label, press the REPRINT button.
  - 2) The printer prints labels one by one in strip mode by pressing the REPRINT button. To issue more than one label, remove the printed label before issuing the next one.

**NOTE:** Trim off the backing paper coming from the backing paper outlet.

- 3) After printing the receipt, press the REPRINT button to feed it to the position where it is easily cut. Each time the REPRINT button is pressed, the receipt is fed for 20 mm.
4. Trim off the printed media upward or downward with the cutter.

**NOTE:** Do not pull the media toward the feed direction, as this will misalign the print position of the next media.

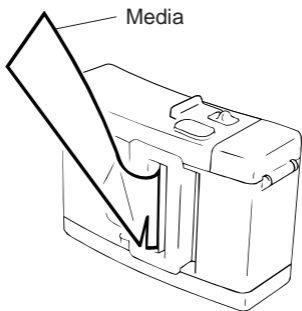


Fig. 7-2

## 8. CARE/HANDLING OF THE MEDIA

**CAUTION:**

*Be sure to read carefully and understand the Supply Manual. Use only media which meet specified requirements. Use of non-specified media may shorten the head life and result in problems with bar code readability or print quality. All media should be handled with care to avoid any damage to the media or printer. Read the following guideline carefully.*

- Do not store the media for longer than the manufactures recommended shelf life.
- Store media rolls on the flat end, do not store them on the curved sides as this might flatten that side causing erratic media advance and poor print quality.
- Store the media in plastic bags and always reseal after opening. Unprotected media can get dirty and the extra abrasion from the dust and dirt particles will shorten the print head life.
- Store the media in a cool, dry place. Avoid areas where they would be exposed to direct sunlight, high temperature, high humidity, dust or gas.

## 8. CARE/HANDLING OF THE MEDIA

EM1-33043D

### 8. CARE/HANDLING OF THE MEDIA

---

- The thermal paper used for direct thermal printing must not have the specifications which exceed  $\text{Ca}^{++}$  800 ppm,  $\text{Na}^+$  800 ppm,  $\text{K}^+$  800 ppm and  $\text{CL}^-$  600 ppm.
- Some ink used on pre-printed labels may contain components which shorten the print head's product life. Do not use labels pre-printed with ink which contains hard substances such as carbonic calcium ( $\text{CaCO}_3$ ) and kaolin ( $\text{Al}_2\text{O}_3$ ,  $2\text{SiO}_2$ ,  $2\text{H}_2\text{O}$ ).

For further information please contact your local distributor or your media manufacturer.

## 9. GENERAL MAINTENANCE

### 9.1 CLEANING

**WARNING!**

*Care should be taken not to injure your hand with the cutter when cleaning.*

To help retain the high quality and performance of your printer it should be regularly cleaned. The greater the usage of the printer, the more frequent the cleaning. (i.e. low usage = weekly: high usage = daily).

1. Turn off the printer.
2. Open the media cover.
3. Remove the media roll from the printer.
4. Clean the print head element with the print head cleaner.
5. Wipe the cutter platen and strip roller with a soft cloth moistened with alcohol. Remove dust or foreign substances from the internal parts of the printer, if any.

6. Remove paper particles or stains from the feed gap sensor, black mark sensor, and the batch/strip sensor with a soft cloth.

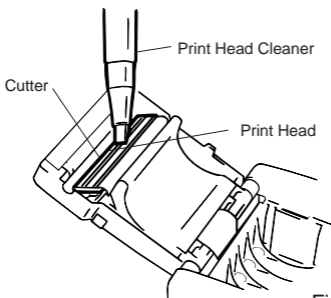


Fig. 9-1

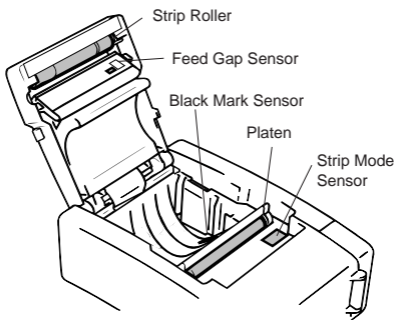


Fig. 9-2

**WARNING!**

1. *Be sure to turn off the printer prior to performing any maintenance.*
2. *Do not use any tool that may damage the print head.*
3. *DO NOT POUR WATER directly onto the printer.*

## 9.2 COVERS AND OPERATION PANEL

The covers should be cleaned by wiping with a dry cloth or a cloth slightly dampened with a mild detergent solution.

**NOTE:** *Clean the printer cover with an electrostatic free cleaner for automated office equipment.*

**CAUTION:**

1. *DO NOT POUR WATER directly onto the printer.*
2. *DO NOT APPLY cleaner or detergent directly onto any cover or panel.*
3. *NEVER USE THINNER OR OTHER VOLATILE SOLVENT on the plastic covers.*
4. *DO NOT clean the covers or the operation panel with alcohol as it may cause them to discolor, lose their shape or develop structural weakness.*



## **9.3 REMOVING JAMMED MEDIA**

1. Turn off the printer.
2. Open the media cover.
3. Remove the media roll from the printer.
4. Remove the jammed media. **DO NOT USE** any sharp implement or tool as these could damage the printer.
5. Clean the print head and platen, then remove any further dust or foreign substances.

## 10. TROUBLESHOOTING

### **WARNING!**

*If you cannot solve a problem with the following solutions, do not attempt to repair it yourself. Turn off the printer, then contact your TOSHIBA TEC representative for assistance.*

When a problem occurs during operation, the status indicator will blink or light. Refer to the following troubleshooting guide and take corrective action.

Status Indicator	Cause	Action
Blinks	Media end	Load a new media roll.
	The media cover is open.	Close the media cover completely.
	The printer is jammed with media.	Turn off the printer, remove the jammed media, and re-load the media roll correctly.
	The print head element is broken.	Contact a TOSHIBA TEC service representative for repair.
	A communication error occurred.	Check that the interface cable is connected firmly. Check the communication parameters.
Lights	The battery voltage is low.	Turn off the printer and replace the battery with a fully

## 10. TROUBLESHOOTING


Other problems	Check	Corrective action
The printer does not issue media.	Did the status indicator light and then go off at power on?	Charge the battery fully.
	Is the printer turned on?	Turn on the printer.
	Is the media roll loaded correctly?	Re-load the media roll correctly.
	Is the status indicator blinking or lighting?	Check the handy terminal for an error status, and take appropriate action described in the handy terminal's operating manual.
	Is the media cover closed completely?	Close the media cover completely.
Print failure	Is the print head dirty?	Clean the print head with the attached print head cleaner.
	Is the media discolored?	Replace the media roll with a new one.
	Is the specified media used?	Replace the media roll with the proper one.
	Are the media cover release catches locked completely?	Close the media cover so that the media cover release catches snap back into position.







***TEC***  
**TOSHIBA TEC CORPORATION**

 PRINTED IN JAPAN  
EM1-33043D 99010500 GS

## Free Manuals Download Website

<http://myh66.com>

<http://usermanuals.us>

<http://www.somanuals.com>

<http://www.4manuals.cc>

<http://www.manual-lib.com>

<http://www.404manual.com>

<http://www.luxmanual.com>

<http://aubethermostatmanual.com>

Golf course search by state

<http://golfingnear.com>

Email search by domain

<http://emailbydomain.com>

Auto manuals search

<http://auto.somanuals.com>

TV manuals search

<http://tv.somanuals.com>