

TEC

TEC Thermal Printer

B-670/680 SERIES

Owner's Manual

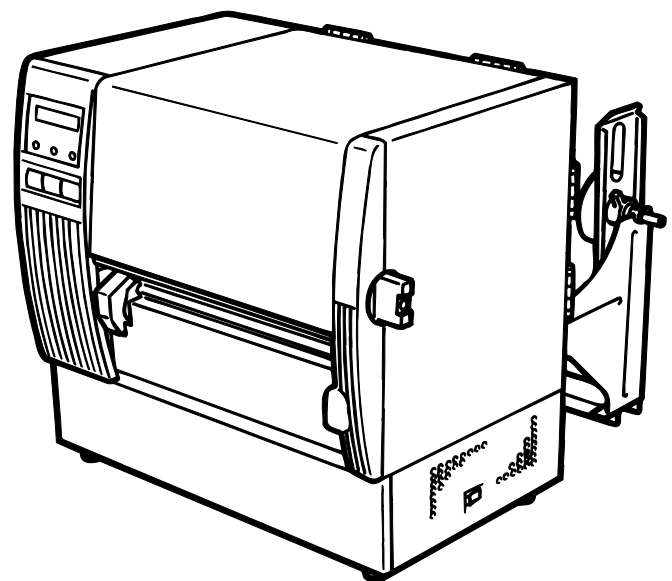
Owner's Manual

Mode d'emploi

Bedienungsanleitung

Manual de instrucciones

Gebruikershandleiding



TOSHIBA TEC CORPORATION

LIST OF STANDARDS OF CONFORMITY

Manufacturer : TOSHIBA TEC Corporation
Address : 570 Ohito, Ohito-Cho, Tagata-Gun, Shizuoka-Ken, 410-2323
Japan
declares that following product
Product Name : Bar Code Printer
Model : B-672-QP, B-682-QP
Options : All
conforms to the following product specifications
Generic Standard : EN 50 082-1
Safety : EN 60 950
EMC : EN 55 022
Harmonics : EN 61000-3-2, 3

Supplementary Information

The product herewith complies with the requirements of the Low Voltage Directive 73/23/EEC, and the EMC directive 89/336/EEC.

The product was tested in a typical set up TOSHIBA TEC personnel advocated.

This equipment has been tested and found to comply with the limits for a Class A digital device, pursuant to Part 15 of the FCC Rules. These limits are designed to provide reasonable protection against harmful interference when the equipment is operated in a commercial environment. This equipment generates, uses, and can radiate radio frequency energy and, if not installed and used in accordance with the instruction manual, may cause harmful interference to radio communications. Operations of this equipment in a residential area is likely to cause harmful interference in which case the user will be required to correct the interference at his own expense. (for USA only)

Changes or modifications not expressly approved by manufacturer for compliance could void the user's authority to operate the equipment.

"This Class A digital apparatus meets all requirements of the Canadian Interference-Causing Equipment Regulations."

"Cet appareil numérique de la classe A respecte toutes les exigences du Règlement sur le matériel brouilleur de Canada."

(for CANADA only)

TEC

TEC Thermal Printer

B-670/680 SERIES

Owner's Manual

Safety Summary

Personal safety in handling or maintaining the equipment is extremely important. Warnings and Cautions necessary for safe handling are included in this manual. All warnings and cautions contained in this manual should be read and understood before handling or maintaining the equipment. Do not attempt to effect repairs or modifications to this equipment. If a fault occurs that cannot be rectified using the procedures described in this manual, turn off the power, unplug the machine, then contact your authorized TOSHIBA TEC representative for assistance.

Meanings of Each Symbol



This symbol indicates warning items (including cautions). Specific warning contents are drawn inside the \triangle symbol. (The symbol on the left indicates a general caution.)



This symbol indicates prohibited actions (prohibited items). Specific prohibited contents are drawn inside or near the \circ symbol. (The symbol on the left indicates "no disassembling".)



This symbol indicates actions which must be performed. Specific instructions are drawn inside or near the \bullet symbol. (The symbol on the left indicates "disconnect the power cord plug from the outlet".)



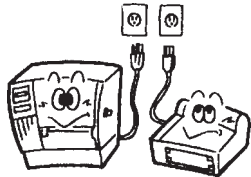
WARNING

This indicates that there is the risk of **death** or **serious injury** if the machines are improperly handled contrary to this indication.



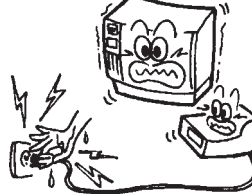
Any other than the specified AC voltage is prohibited.

■ Do not use voltages other than the voltage (AC) specified on the rating plate, as this may cause **fire** or **electric shock**.



Prohibited

■ Do not plug in or unplug the power cord plug with wet hands as this may cause **electric shock**.



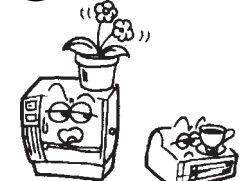
Prohibited

■ If the machines share the same outlet with any other electrical appliances which consume large amounts of power, the voltage will fluctuate widely each time these appliances operate. Be sure to provide an exclusive outlet for the machine as this may cause the machines to **malfunction**.



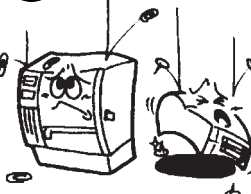
Prohibited

■ Do not place metal objects or water-filled containers such as flower vases, flower pots or mugs, etc. on top of the machines. If metal objects or spilled liquid enter the machines, this may cause **fire** or **electric shock**.



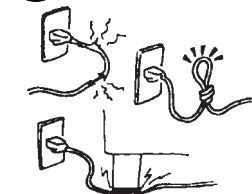
Prohibited

■ Do not insert or drop metal, flammable or other foreign objects into the machines through the ventilation slits, as this may cause **fire** or **electric shock**.



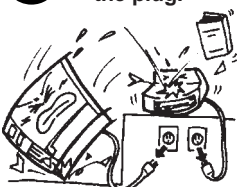
Prohibited

■ Do not scratch, damage or modify the power cords. Also, do not place heavy objects on, pull on, or excessively bend the cords, as this may cause **fire** or **electrical shock**.



Disconnect the plug.


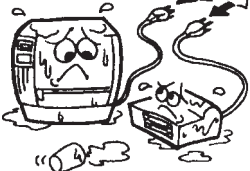

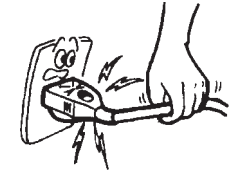

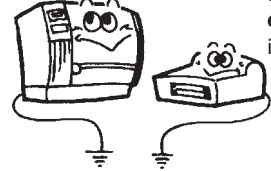

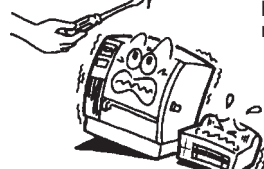
■ If the machines are dropped or their cabinets damaged, first turn off the power switches and disconnect the power cord plugs from the outlet, and then contact your authorized TOSHIBA TEC representative for assistance. Continued use of the machine in that condition may cause **fire** or **electric shock**.




Disconnect the plug.

■ Continued use of the machines in an abnormal condition such as when the machines are producing smoke or strange smells may cause **fire** or **electric shock**. In these cases, immediately turn off the power switches and disconnect the power cord plugs from the outlet. Then, contact your authorized TOSHIBA TEC representative for assistance.



 <p>Disconnect the plug.</p>  <p>■ If foreign objects (metal fragments, water, liquids) enter the machines, first turn off the power switches and disconnect the power cord plugs from the outlet, and then contact your authorized TOSHIBA TEC representative for assistance. Continued use of the machine in that condition may cause fire or electric shock.</p>	 <p>Disconnect the plug.</p>  <p>■ When unplugging the power cords, be sure to hold and pull on the plug portion. Pulling on the cord portion may cut or expose the internal wires and cause fire or electric shock.</p>
 <p>Connect a grounding wire.</p>  <p>■ Ensure that the equipment is properly grounded. Extension cables should also be grounded. Fire or electric shock could occur on improperly grounded equipment.</p>	 <p>No disassembling.</p>  <p>■ Do not remove covers, repair or modify the machine by yourself. You may be injured by high voltage, very hot parts or sharp edges inside the machine.</p>

 **CAUTION** This indicates that there is the risk of personal **Injury** or **damage** to objects if the machines are improperly handled contrary to this indication.

Precautions

The following precautions will help to ensure that this machine will continue to function correctly.

- Try to avoid locations that have the following adverse conditions:
 - * Temperatures out of the specification
 - * Direct sunlight
 - * High humidity
 - * Shared power source
 - * Excessive vibration
 - * Dust/Gas
- The cover should be cleaned by wiping with a dry cloth or a cloth slightly dampened with a mild detergent solution. NEVER USE THINNER OR ANY OTHER VOLATILE SOLVENT on the plastic covers.
- USE ONLY TOSHIBA TEC SPECIFIED paper and ribbons.
- DO NOT STORE the paper or ribbons where they might be exposed to direct sunlight, high temperatures, high humidity, dust, or gas.
- Ensure the printer is operated on a level surface.
- Any data stored in the memory of the printer could be lost during a printer fault.
- Try to avoid using this equipment on the same power supply as high voltage equipment or equipment likely to cause mains interference.
- Unplug the machine whenever you are working inside it or cleaning it.
- Keep your work environment static free.
- Do not place heavy objects on top of the machines, as these items may become unbalanced and fall causing **injury**.
- Do not block the ventilation slits of the machines, as this will cause heat to build up inside the machines and may cause **fire**.
- Do not lean against the machine. It may fall on you and could cause **injury**.
- Care must be taken not to injure yourself with the printer paper cutter.
- Unplug the machine when it is not used for a long period of time.

Request Regarding Maintenance

- Utilize our maintenance services.
After purchasing the machine, contact your authorized TOSHIBA TEC representative for assistance once a year to have the inside of the machine cleaned. Otherwise, dust will build up inside the machines and may cause a **fire** or a **malfunction**. Cleaning is particularly effective before humid rainy seasons.
- Our preventive maintenance service performs the periodic checks and other work required to maintain the quality and performance of the machines, preventing accidents beforehand. For details, please consult your authorized TOSHIBA TEC representative for assistance.
- Using insecticides and other chemicals
Do not expose the machines to insecticides or other volatile solvents. This will cause the cabinet or other parts to deteriorate or cause the paint to peel.

TABLE OF CONTENTS

	Page
1. INTRODUCTION	E1- 1
1.1 APPLICABLE MODEL	E1- 1
1.2 ACCESSORIES	E1- 1
2. SPECIFICATIONS	E2- 1
2.1 PRINTER	E2- 1
2.2 OPTIONS	E2- 2
2.3 MEDIA	E2- 3
2.4 RIBBON	E2- 3
3. OVERVIEW	E3- 1
3.1 FRONT/REAR VIEW	E3- 1
3.2 OPERATION PANEL	E3- 1
4. DIP SWITCH FUNCTIONS	E4- 1
5. SET UP PROCEDURE	E5- 1
5.1 REQUIREMENTS FOR OPERATION	E5- 1
5.2 SETTING UP THE PRINTER	E5- 1
6. INSTALLING THE PRINTER	E6- 1
6.1 CONNECTING THE POWER CORD AND CABLES	E6- 1
6.2 HOLDER STAND INSTALLATION	E6- 1
7. LOADING THE RIBBON	E7- 1
8. LOADING THE MEDIA	E8- 1
9. INSERTING THE OPTIONAL FLASH MEMORY CARD	E9- 1
10. INSERTING THE OPTIONAL PCMCIA CARD	E10- 1
11. CARE/HANDLING OF THE MEDIA AND RIBBON	E11- 1
12. GENERAL MAINTENANCE	E12- 1
12.1 CLEANING	E12- 1
12.2 UNDER THE MEDIA GUIDES	E12- 3
12.3 COVERS AND PANELS	E12- 3
12.4 REMOVING JAMMED MEDIA	E12- 4
12.5 THRESHOLD SETTING	E12- 6
13. TROUBLESHOOTING	E13- 1

CAUTION:

1. *This manual may not be copied in whole or in part without prior written permission of TOSHIBA TEC.*
2. *The contents of this manual may be changed without notification.*
3. *Please refer to your local Authorized Service representative with regard to any queries you may have in this manual.*

WARNING!

This is a Class A product. In a domestic environment this product may cause radio interference in which case the user may be required to take adequate measures.

CAUTION:

Do not touch moving parts. To reduce the risk that fingers, jewelry, clothing, etc., be drawn into the moving parts, push the switch in the "OFF" position to stop movement.

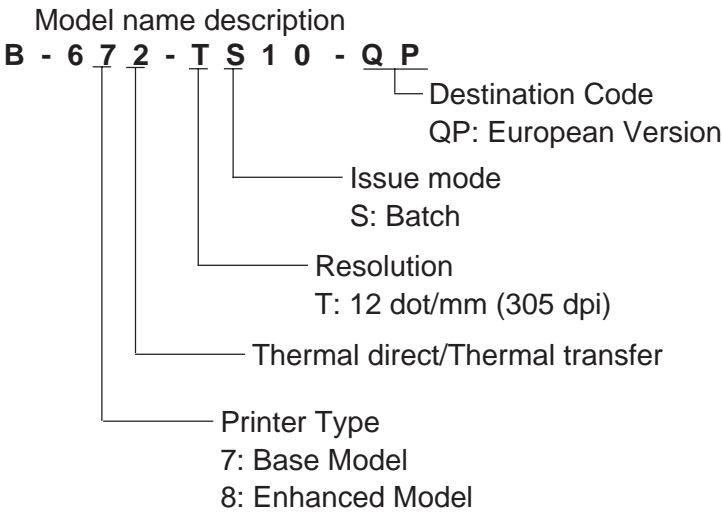
1. INTRODUCTION

Thank you for choosing the TEC B-672/682 Series thermal/transfer printer. This new generation high performance/quality printer is equipped with the latest hardware including the newly developed high density (12 dot/mm, 305 dot/inch) edge print head. This will allow very clear print at a maximum speed of 203.2 mm/sec. (8 inch/sec.). Other standard features include an external media supply. Optional features include a strip mechanism and Cutter mechanism.

This manual contains general set-up and maintenance information and should be read carefully to help gain maximum performance and life from your printer. For most queries please refer to this manual and keep it safe for future reference.

1.1 APPLICABLE MODEL

- B-672-QP
- B-682-TS10-QP

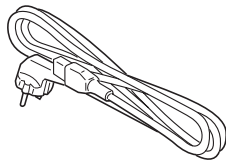


1.2 ACCESSORIES

Owner's Manual
(EO1-33016)



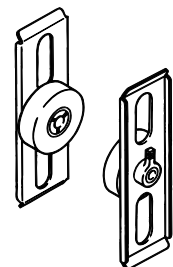
Power Cord



Print Head Cleaner
(24089500013)



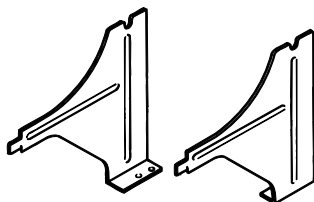
Media Holder



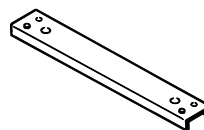
Holder Shaft



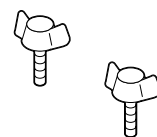
Left/Right Side Holder



Holder Base



Thumbscrew
(M-4x6)



2. SPECIFICATIONS

2.1 PRINTER

Item	Model	B-672/682-QP
Supply voltage		Universal (automatic switching) 85-138 V, 50/60 Hz 187-276 V, 50/60 Hz Be sure to use a power cord which meets the standard.
Power consumption		1.4 A, 260 W maximum (standby: 270 mA, 26 W maximum)
Operating temperature range		5°C ~ 40°C
Relative humidity		25% ~ 85%RH (no condensation)
Print head		Thermal print head 12 dots per mm (305 dots per inch)
Printing methods		Thermal direct or Thermal transfer
Print speeds		76.2 mm/sec. (3 inch/sec.), 101.6 mm/sec. (4 inch/sec.), 203.2 mm/sec. (8 inch/sec.)
Maximum print width		170.6 mm (6.72 inches)
Dispensing modes		Batch (Continuous), Strip (On-demand) and Cut modes (Both cut and strip modes are available only when their respective modules are fitted.)
Message display		20 characters x 1 line
Dimensions		437 mm (width) x 282 mm (depth) x 395 mm (height)
Weight		B-672: 25 kg (without media and ribbon) B-682: 26 kg (without media and ribbon)
Available bar-code types		JAN8, JAN13, EAN8, EAN8 + 2 digits, EAN8 + 5 digits EAN13, EAN13 + 2digits, EAN13 + 5 digits UPC-E, UPC-E + 2 digits, UPC-E + 5 digits UPC-A, UPC-A + 2 digits, UPC-A + 5 digits MSI, ITF, NW-7, CODE39, CODE93, CODE128 EAN128, Industrial 2 to 5, Customer Bar Code, POSTNET, KIX CODE, RM4SCC (ROYAL MAIL 4STATE CUTOMER CODE),
Two-dimensional code		Data Matrix, PDF417, QR Code, Maxi Code, Micro PDF417, CP Code (B-672 only)
Fonts		Times Roman (6 sizes), Helvetica (6 sizes), Presentation (1 size), Letter Gothic (1 size), Prestige Elite (2 sizes), Courier (2 sizes), OCR (2 types), Writable characters (40 types, 2-byte character is available: B682 only), Outline font (B-672: 1 type, B-682: 4 types), Price font (3 types: B-682 only)
Rotations		0°, 90°, 180°, 270°
Standard interfaces		Serial interface (RS-232C) Parallel interface (Centronics) Expansion I/O interface
Optional interface		Flash memory card interface (B-672 only) PCMCIA interface (B-682 only)

* *Data Matrix™* is a trademark of International Data Matrix, Inc.
PDF417 is a trademark of Symbol Technologies, Inc.

2.2 OPTION

Option Name	Type	Description
Cutter module	B-4208-QM	A stop and cut swing cutter
Strip module	B-4908-H-QM	This module strips the label from the backing paper with the take-up block and strip block.
D-RAM PC Board (B-672 only)	_____	A 2MB RAM upgrade which enhances the image handling capability of the printer.
Flash memory card (B-672 only)	_____	A flash memory card (1MB and 4 MB) for storing logos, writable characters and formats.
PCMCIA interface board (B-682 only)	B-8700-PC-QM	This board enables the following PCMCIA cards to be used. * LAN card: 3 COM EtherLink®III (recommended) * ATA card: Conforming to PC card ATA standard * Flash memory card: 4MB card (See Page 10-1.)

2.3 MEDIA

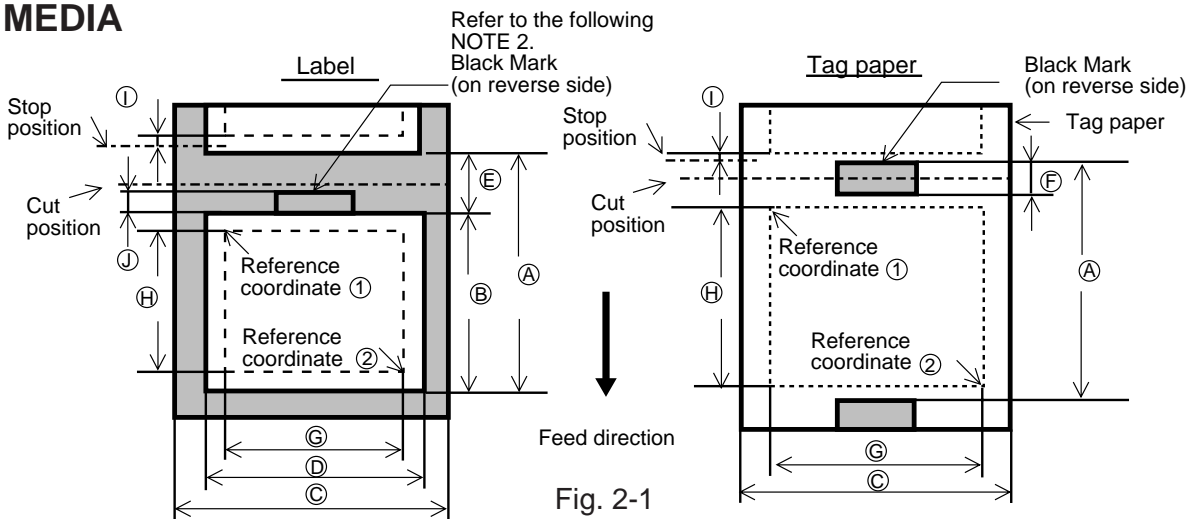


Fig. 2-1

[Unit: mm]

Item		Label dispensing mode	Batch mode	Strip mode	Cut mode	
A: Span of one label/tag	B-672		10.00 ~ 999.0	25.4 ~ 999.0	Label: 38 ~ 999.0 Tag: 25.4 ~ 999.0	
	B-682		10.00 ~ 1709.0	25.4 ~ 1709.0	Label: 38 ~ 1709.0 Tag: 25.4 ~ 1709.0	
B: Label length	B-672		7.5 ~ 996.5	22.9 ~ 996.5	25.0 ~ 993.0	
	B-682		7.5 ~ 1707.0	22.9 ~ 1707.0	25.0 ~ 1703.0	
C: Width including backing paper			84.0 ~ 175.0 (See NOTE 3.)			
D: Label width			81.0 ~ 172.0			
E: Gap length			2.5 ~ 20.0	2.5 ~ 20.0	6.0 ~ 20.0	
F: Black mark length (Tag paper)			2.5 ~ 10.0			
G: Effective print width			10.0 ~ 170.6			
H: Effective print length	Label	Standard	B-672	5.5 ~ 298.6	20.9 ~ 298.6	23.0 ~ 298.6
			B-682	5.5 ~ 1705.0	20.9 ~ 1705.0	23.0 ~ 1705.0
		Max. memory	B-672	5.5 ~ 981.3	20.9 ~ 981.3	23.0 ~ 981.3
	Tag	Standard	B-672	8.0 ~ 298.6	23.4 ~ 298.6	23.4 ~ 298.6
			B-682	8.0 ~ 1705.0	—	23.4 ~ 1705.0
		Max. memory	B-672	8.0 ~ 981.3	23.4 ~ 981.3	23.4 ~ 981.3
I: Print speed up/slow down area			1.0			
J: Black mark length (Label)			Refer to the following NOTE 2.			
Maximum effective length for on the fly issue	Standard	B-672	149.3			
		B-682	852.0			
	Max. memory	B-672	490.6			
Outer roll diameter			Ø200 Max.			
Thickness	Label		0.13 ~ 0.17			
	Tag		0.10 ~ 0.17			

NOTES:

- The media specification other than above are unchanged.
- When marking black marks on label rolls, the following requirements must be satisfied.
When the gap length is less than 4 mm:
The black mark length should be longer than the gap length.
When the gap length is 4 mm or more:
The black mark should not overlap the gap for more than 4 mm and the following label.
- When the print speed is 8"/sec., the width including backing paper will be 84 to 150 mm. When the optional cutter module or strip module is used, the width including backing paper will be 101.6 to 175 mm.
- If the label used is smaller than specified, the print head life may be shortened.
- When issuing thermal labels at 8"/sec., the print stop position should be set to a minimum of 1 mm inside the label.

2.4 RIBBON

Type	Spool type
Width	115 mm ~ 185 mm (See NOTE 5.)
Length	300 m
Outer diameter	Ø72 mm (max.)

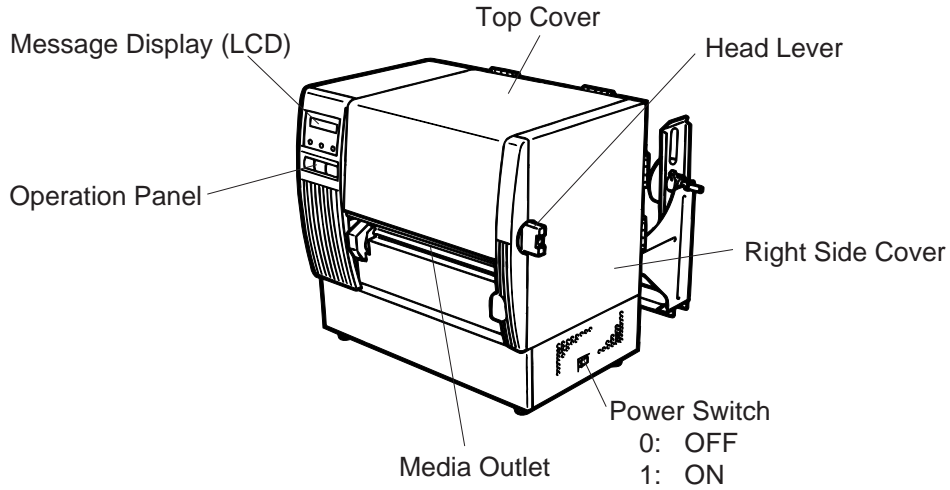
NOTES:

- "On the fly issue" means that the printer can draw and print without stopping between labels.
- To ensure print quality and print head life use only TOSHIBA TEC specified media and ribbons.
- When using the cutter ensure that label length B plus inter label gap length E exceeds 35 mm. (i.e. label pitch should be greater than 35 mm.)
- To avoid ribbon wrinkles use the ribbon which is wider than media by 5mm or more. However, too much difference in width between the two may cause wrinkles.
- When the print speed is 8"/sec., the width will be 115 to 160 mm.

3. OVERVIEW

3.1 FRONT/REAR VIEW

Front View



Rear View

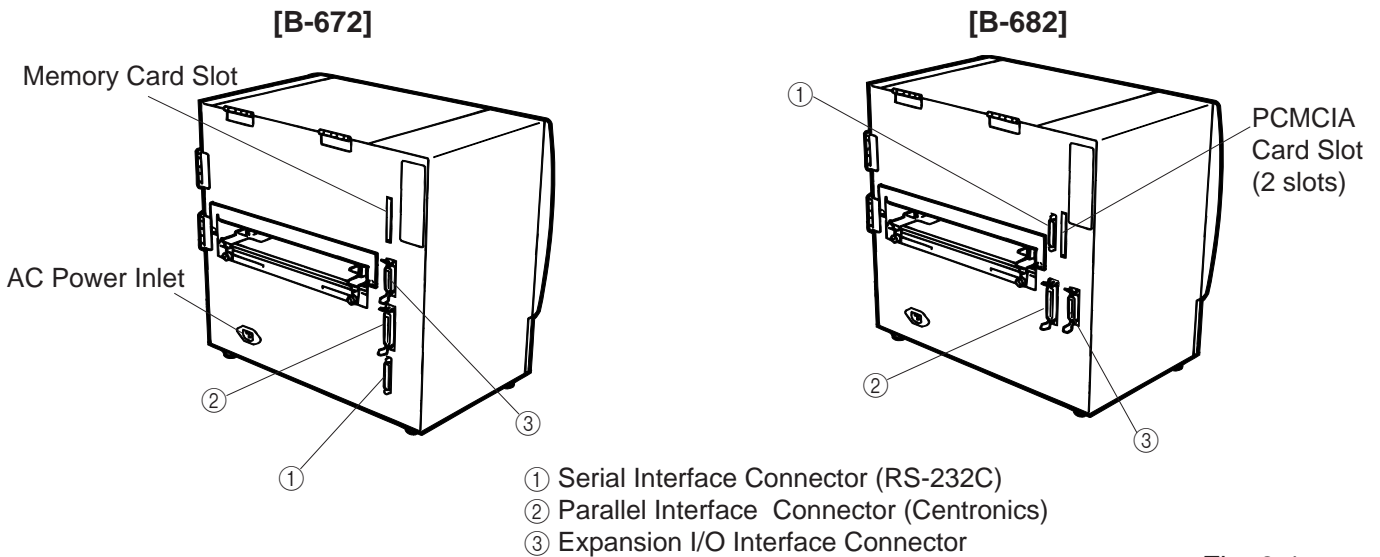


Fig. 3-1

3.2 OPERATION PANEL

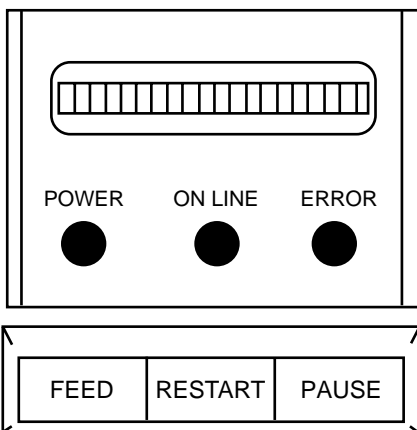


Fig. 3-2

MESSAGE DISPLAY (LCD)

When power is turned on and it is ready to print, "ON LINE" is displayed.

POWER LED (Green)

Lights when the power is turned on.

ON-LINE LED (Green)

- 1) Flashes when communicating with a host computer.
- 2) On while printing.

ERROR LED (Red)

Lights when a communication error occurs, when the media/ribbon ends or the printer does not operate correctly.

FEED Key

Feeds paper.

RESTART Key

Resets the printer when paused or when an error occurs. Used to set the threshold. (Refer to page 12-6)

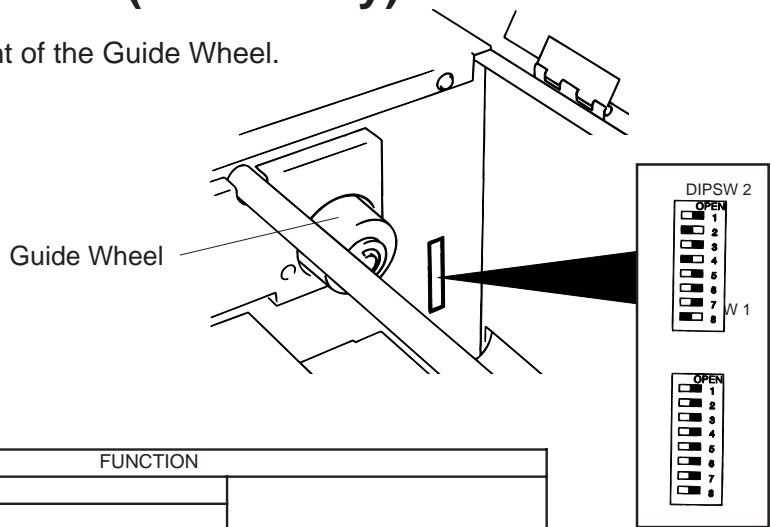
PAUSE Key

Pauses printing. Message display shows "PAUSE" and an unprinted count. Used to set the threshold. (Refer to page 12-6)

4. DIP SWITCH FUNCTIONS (B-672 only)

The DIP switches are located to the right of the Guide Wheel.

WARNING!
Turn the **POWER OFF** before switching the functions.



(1) DIP SW 2

No.	ON/OFF		FUNCTION	
	1	2		
1	OFF	OFF	2400 BPS	
	ON	OFF	4800 BPS	
	OFF	ON	9600 BPS	
	ON	ON	19200 BPS	
2	OFF	1 bit	Stop bit length	
	ON	2 bits		
3	OFF	7 bits	Data length	
	ON	8 bits		
4	OFF	Without	Parity check	
	ON	With		
5	OFF	EVEN	Parity check (effective when DIP SW #5 is set to ON.)	
	ON	ODD		
6	7	8	Data protocol	
	OFF	OFF		XON/XOFF (No XON is output at the power on time.) (No XOFF is output at the power off time.)
	ON	OFF		READY/BUSY (DTA) (No XON is output at the power on time.) (No XOFF is output at the power off time.) READY/BUSY (RTS) (No XON is output at the power on time.) (No OFF is output at the power off time.)
	OFF	ON		XON/XOFF+READY/BUSY (XON is output at the power on time.) (XOFF is output at the power off time.)
ON	ON	XON/XOFF (XON is output at the power on time.) (XOFF is output at the power off time.)		

Fig. 4-1

(2) DIP SW 1

No.	ON/OFF			FUNCTION
	2	3	4	
1	OFF			Must be set to OFF
	ON			
2	OFF	OFF	OFF	English
	ON	OFF	OFF	German
	OFF	ON	OFF	French
	ON	ON	OFF	Dutch
3	OFF	OFF	ON	Spanish
	ON	OFF	ON	Japanese
	OFF	ON	ON	Italian
4	ON	ON	ON	Not used
	OFF	Without	Without	Auto media feed after a cut issue (See page 8-4)
ON	With	With		
5	OFF	Must be set to OFF		
	ON			
6	OFF	Fixed type		Media sensor selection
	ON	Movable type		
7	OFF	Must be set to OFF		
	ON			

NOTES: The Shaded settings are the factory default settings. "OFF" means "OPEN".

5. SET UP PROCEDURE

5.1 REQUIREMENTS FOR OPERATION

The B-672/682 has the following requirements:

- The host computer must have a serial port or centronics parallel port.
- To communicate with host, either an RS-232C cable or Centronics cable is required.
 - (1) RS-232C cable 25 pins
 - (2) Centronics cable 36 pins
- To print the format, create the complete program using the interface/communication manual.

■ Interface Cables

To prevent radiation and reception of electrical noise, the interface cables must meet the following requirements:

- Fully shielded and fitted with metal or metalised connector housings.
- Kept as short as possible.
- Should not be bundled tightly with power cords.
- Should not be tied to power line conduits.

■ RS-232C Cable description

The serial data cable used to connect the printer to the host computer should be one of the following two types:

NOTE: Use the RS-232C cable which connector securing screws are metric type.

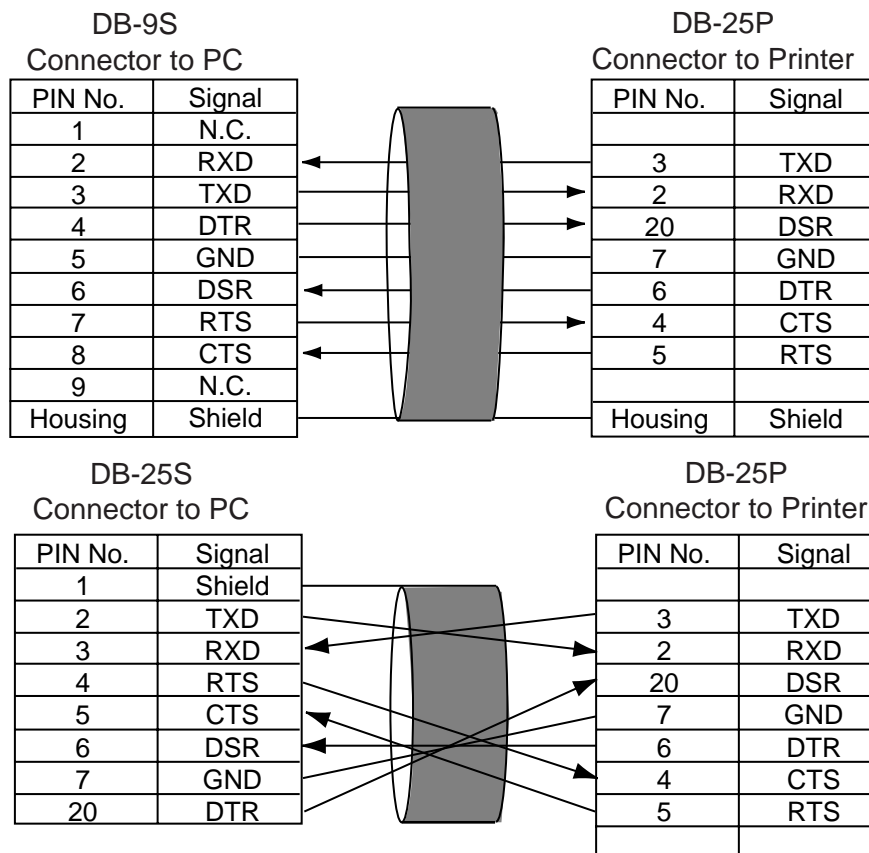


Fig. 5-1

5.2 SETTING UP THE PRINTER

- Place the printer on a flat, stable surface.
- Use a grounded electrical outlet do not use adapter plug.
- Be sure there is adequate room around the printer for easy operation and maintenance.
- Keep your work environment static free.

6. INSTALLATION PROCEDURE

6.1 CONNECTING THE POWER CORD AND CABLES

WARNING!
Turn the **POWER SWITCH** to **OFF** before connecting the power cord or cables.

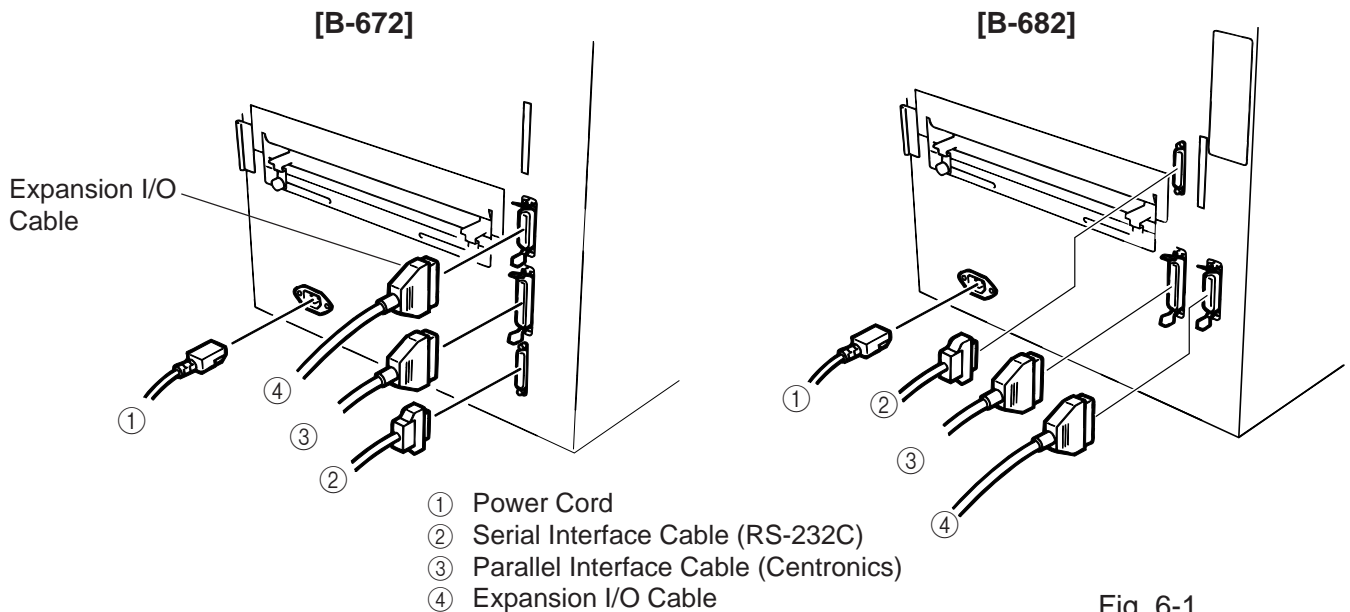


Fig. 6-1

NOTES: Different cables cannot be used at the same time.

6.2 HOLDER STAND INSTALLATION

Fit the left and right side holders into the dowels of the holder base and fasten the side holders to the holder base with the thumbscrews.

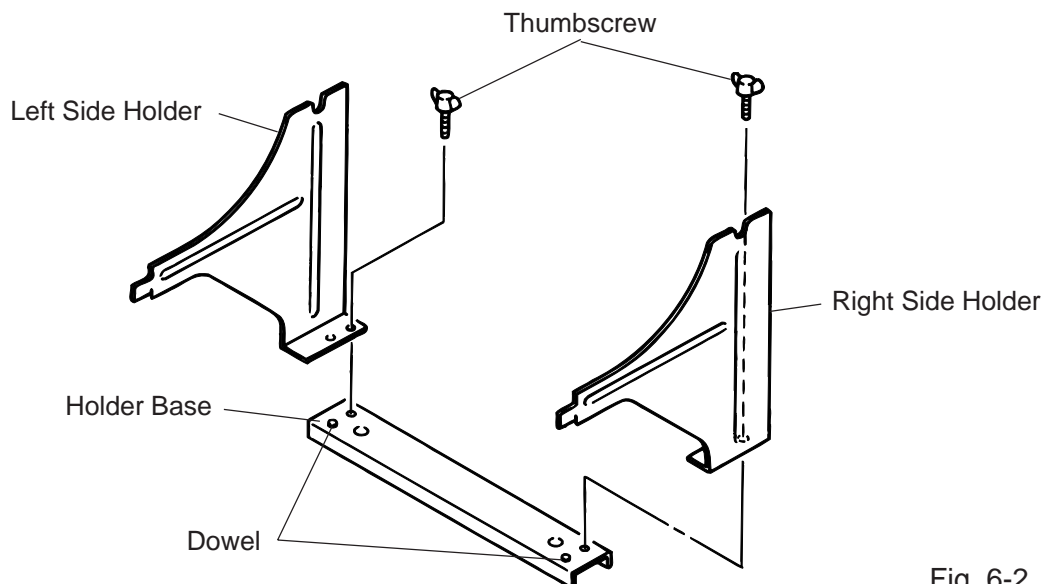


Fig. 6-2

7. LOADING THE RIBBON

WARNING!

1. Do not touch moving parts. To reduce the risk that fingers, jewelry, clothing, etc., be drawn into the moving parts, push the switch in the "OFF" position to stop movement.
2. To avoid injury, be careful not to catch or jam your fingers while opening or closing the cover.

There are two types of media available for printing on, these are standard media and direct thermal media (a chemically treated surface). **DO NOT LOAD** a ribbon when using a direct thermal media.

1. Turn the power off and open both the top cover and the right side cover.
2. Set the head lever to the "OPEN" position and release the head lock plate.

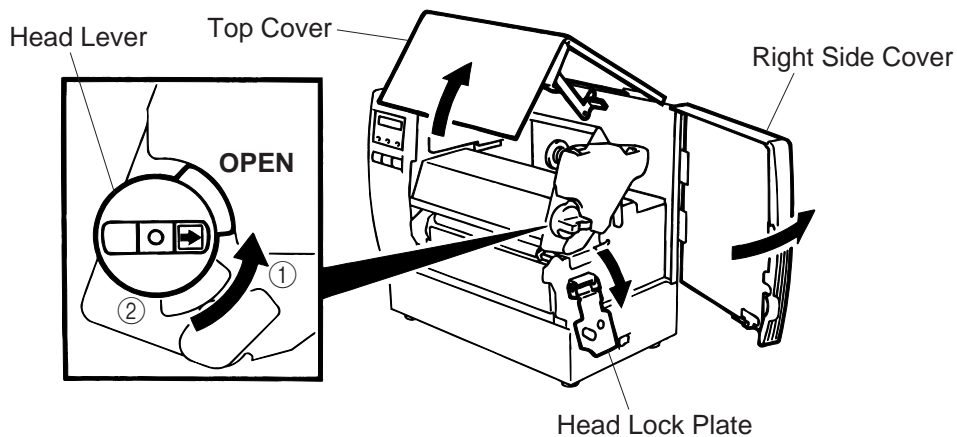


Fig. 7-1

Head Lever Position

- ①: Labels or thin tag paper
- ②: Thick tag paper
- OPEN: Ribbon/media replacement

3. As Fig. 7-2 shows, unroll and loosen the ribbon a little.
4. Insert the ribbon under the print block so that the ribbon supply end is positioned backside of the printer.

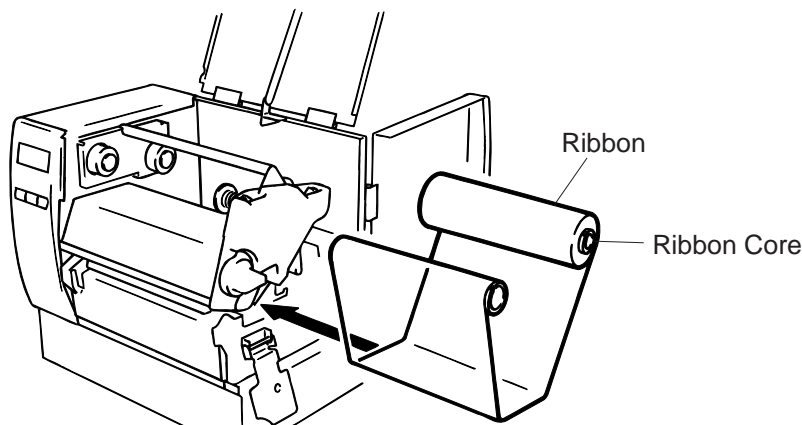


Fig. 7-2

5. Push the ribbon core against the spring guide wheel, align the protrusion of the guide wheel with the notch of the ribbon core, then set the ribbon.
6. To remove the slack of the ribbon, turn the ribbon core in the direction indicated by the arrow.
7. If the ribbon wrinkles while printing, move the ribbon levers back or forth until the wrinkle is removed.

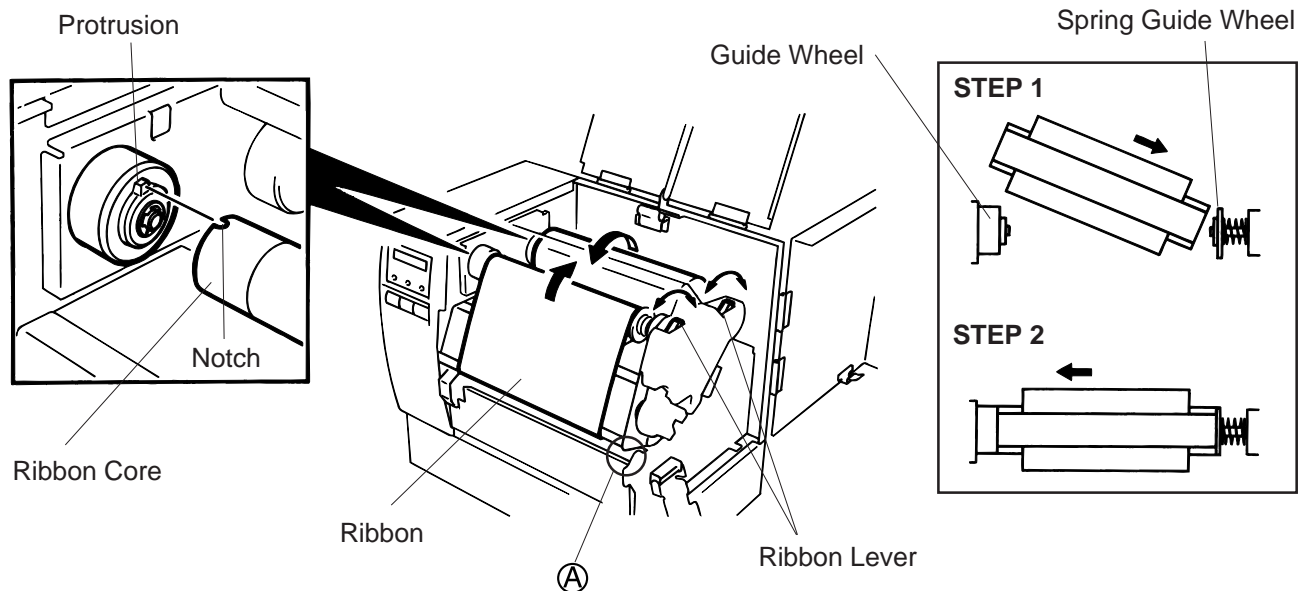


Fig. 7-3

NOTE: When removing the ribbon, be careful not to snag the ribbon on the part ①.

8. Set the head lock plate.
9. Turn the head lever to the proper position depending on the used media. (Refer to Fig. 7-1)
 - ①: Labels or thin tag paper
 - ②: Thick tag paper

CAUTION: When using labels ensure that the head lever is set to position ①.

8. LOADING THE MEDIA

WARNING!

1. Do not touch moving parts. To reduce the risk that fingers, jewelry, clothing, etc., be drawn into the moving parts, push the switch in the "OFF" position to stop movement.
2. To avoid injury, be careful not to catch or jam your fingers while opening or closing the cover.

1. Install the holder stand on the rear of the printer.
2. Loosen the screw (A) and slide the media guides outside.

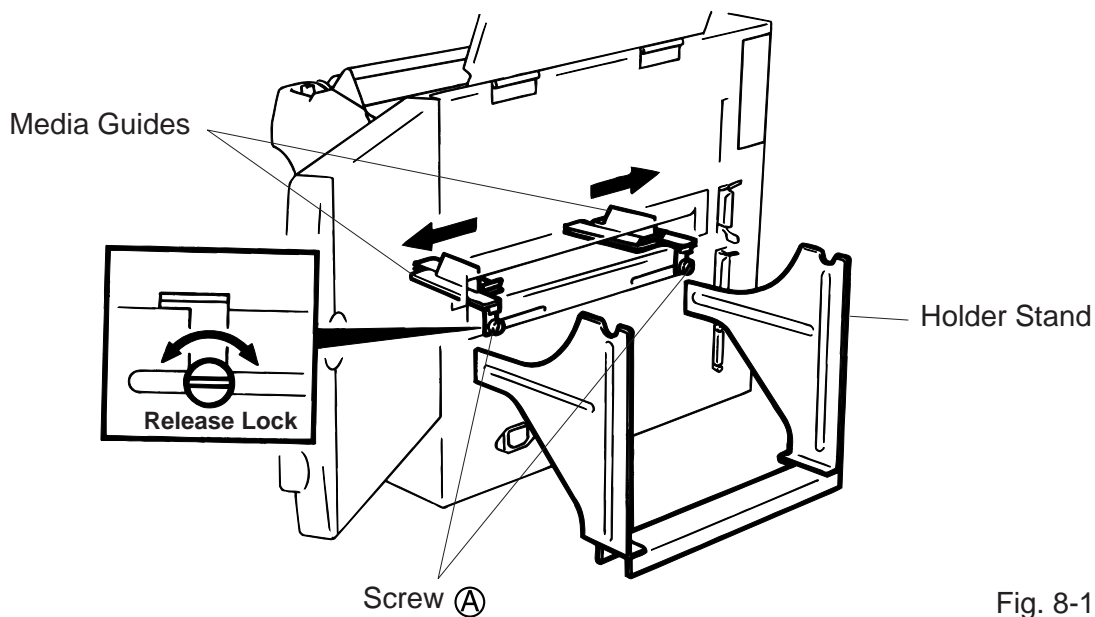


Fig. 8-1

CAUTION:

DO NOT MOVE the Media Guides using the screw (A).

3. Lock the Media Holder securely with the Lock Lever.
4. Pass the Holder Shaft through the Media, then set one of the Media Holders and lock it securely with the Lock Lever.

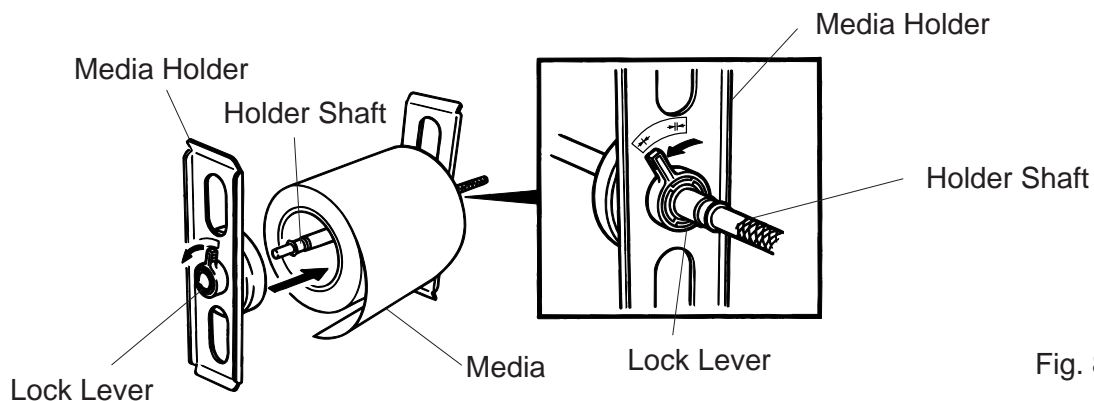


Fig. 8-2

5. Turn the Lock Levers of the Media Holders to the unlock position and readjust the Media position to the center. Then lock the Media Holders securely with the Lock Levers. Fit the Media Guides to the Media. Tighten the screw (A) firmly.

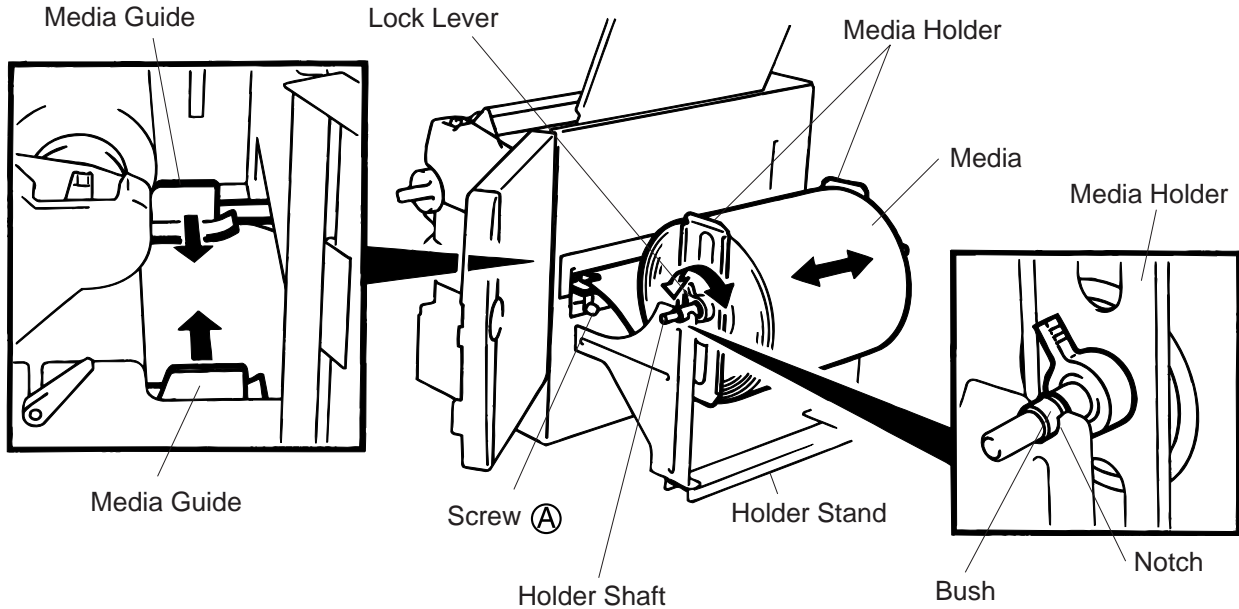


Fig. 8-3

NOTE: Set in the bushes of the Holder Shaft into notches of the Holder Stand securely.

6. The black mark/feed gap sensor is selectable between the fixed type and the movable type by changing the DIP switch setting on the B-672. For the B-682, contact your authorised TOSHIBA TEC representative to change the Operation Panel setting. When the fixed type is selected, the black mark sensor is located at the center of the media and the feed gap sensor is at 10 mm left to the black mark sensor. The movable sensor can be located anywhere between the left end of the effective print width and the fixed sensor. After changing the sensor type, the sensitivity of the sensor must be adjusted. In this case call a TOSHIBA TEC authorized service representative.

7. Set the black mark/feed gap sensor to the correct position by turning the adjusting knob. Turning the knob right will move the sensor towards the center of the media while turning left will move it away from the center of the media.

■ An easy way to set the black mark sensor position

- ① Pull the media about 500 mm out of the front of the printer, turn the media back on it's self and feed it under the print head past the sensor so that the black mark can be seen from above.
- ② Adjust the sensor position to that of the black mark (the upper hole indicates the position of the black mark sensor).

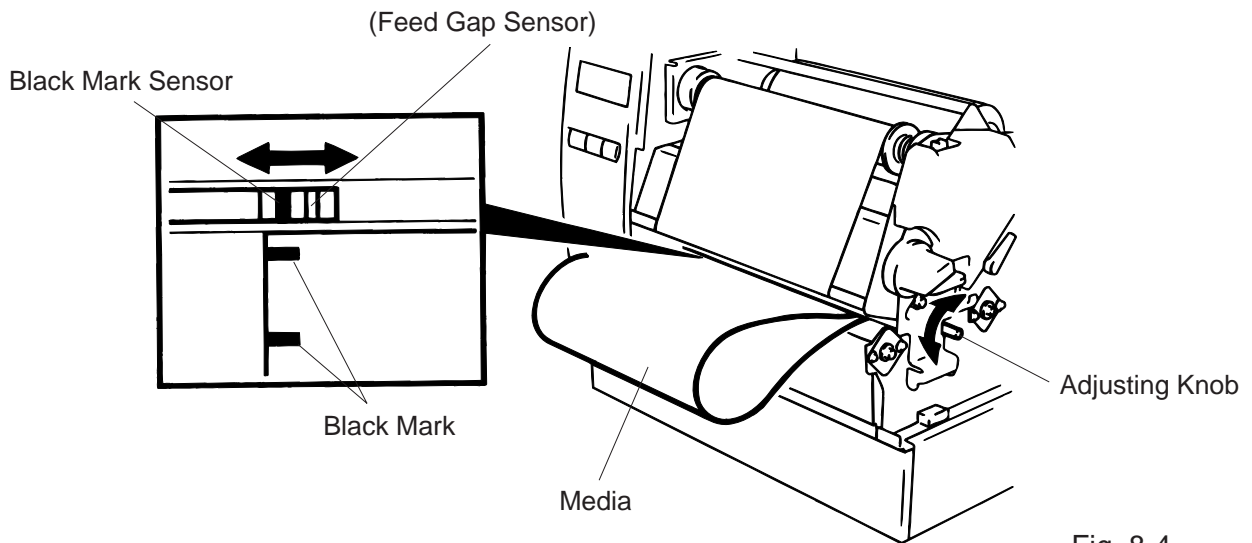


Fig. 8-4

NOTE: Make sure to set the sensor to detect the center of the black mark, otherwise a paper jam error could occur.

■ Setting the feed gap sensor position

Adjust the sensor to detect on the gap (the lower hole indicates the position of the feed gap sensor).

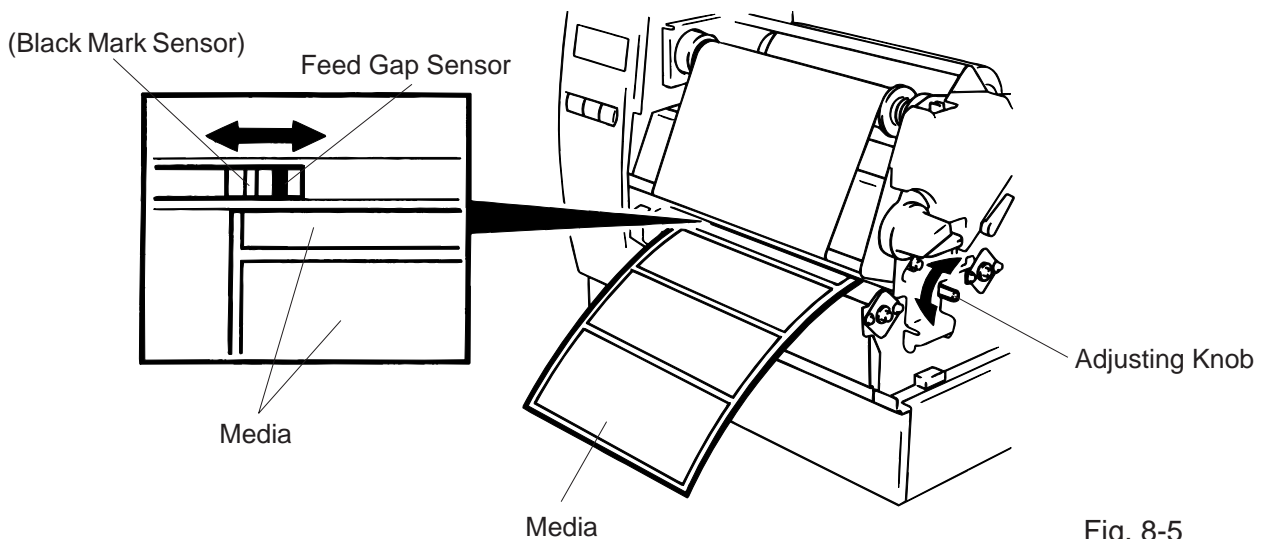


Fig. 8-5

8. The media is now loaded and the sensor position is set.

Batch type:

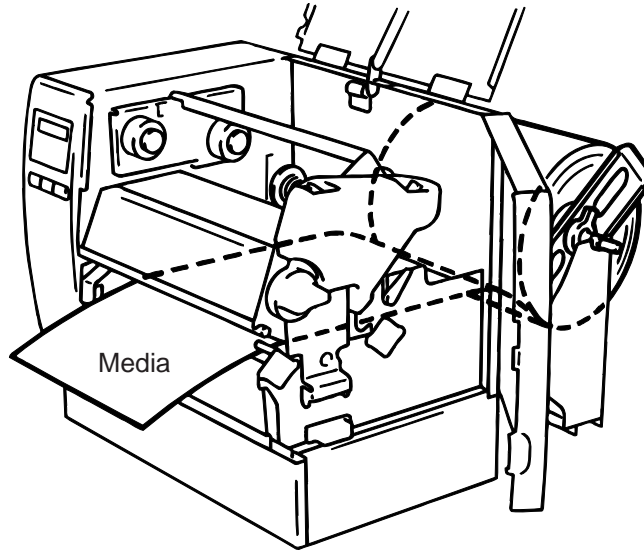


Fig. 8-6

Cutter type: Where a cutter is fitted load the media as standard and feed it through the cutter module.

- NOTES:**
1. Be sure to cut the backing paper of label. Cutting label will cause the glue to stick to the cutter, which may affect the cutter quality and shorten the cutter life.
 2. If the top edge of label winds onto the platen in cut issue, set the DIP SW 1-5 of the B-672 to ON. For the B-682, contact your authorised TOSHIBA TEC representative to change the Operation Panel setting.
 3. Use of tag paper with the thickness exceeding the specified value may affect the cutter life.

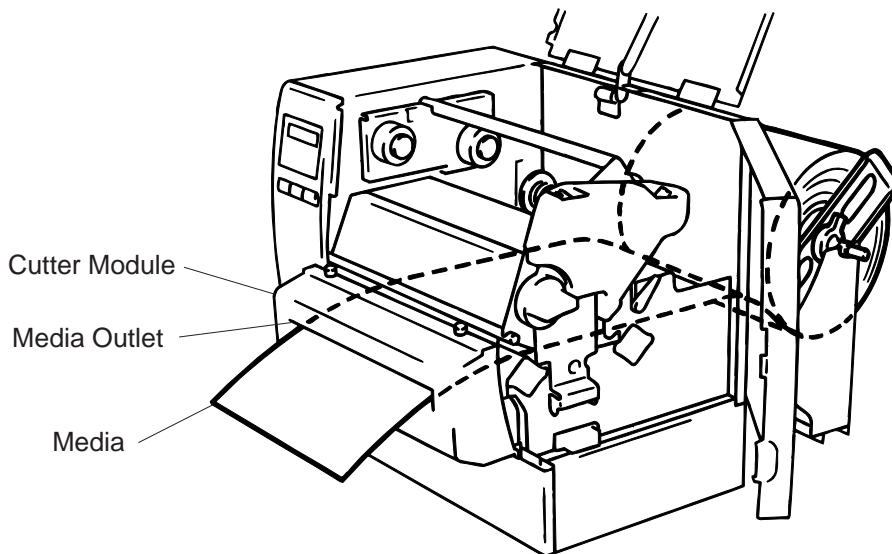


Fig. 8-7

Strip type:

- ① Strip labels from the backing paper for about 200-mm long from the top edge of the label roll.
- ② Lower the backing paper release bar.
- ③ Pass the backing paper between the strip roller and the backing paper holder. After taking up any slack of the media, set the backing paper release bar in position.

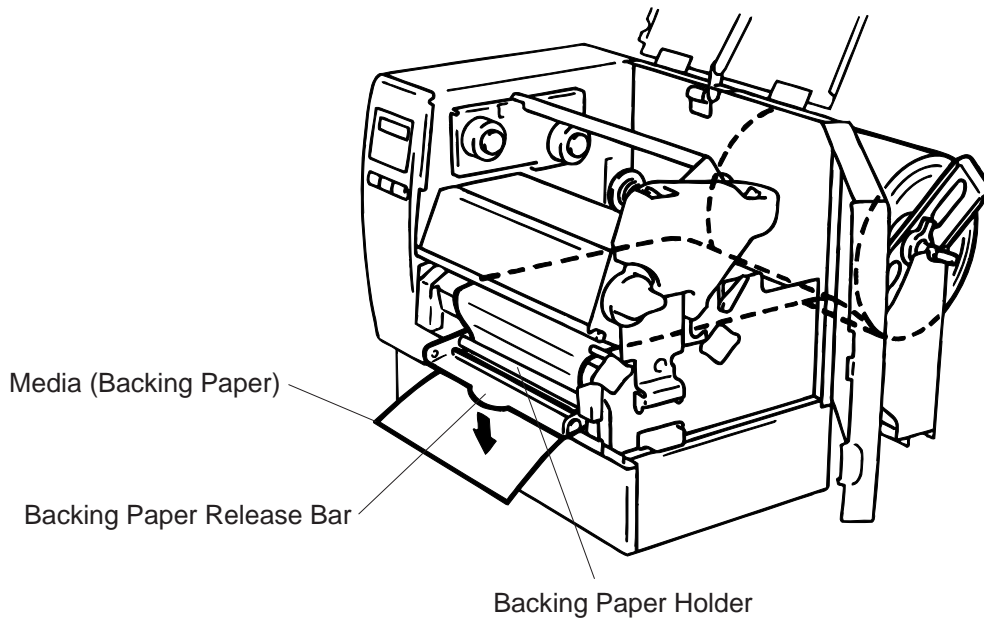


Fig. 8-8

9. Turn the head lever to the proper position depending on the used media. (Refer to Fig. 7-1)
 - ①: Labels or thin tag paper
 - ②: Thick tag paper

CAUTION: When using labels ensure that the head lever is set to position ①.

10. Close the top and right side covers.

9. INSERTING THE OPTIONAL FLASH MEMORY CARD (B-672 only)

WARNING!

Turn the power OFF when inserting or removing the flash memory card.

CAUTION:

To protect memory cards, discharge static electricity from your body by touching the printer rear cover prior to touching the memory cards.

1. Turn the power off.
2. Insert the flash memory card into the memory card slot on the rear of the printer.
3. Turn the power on.

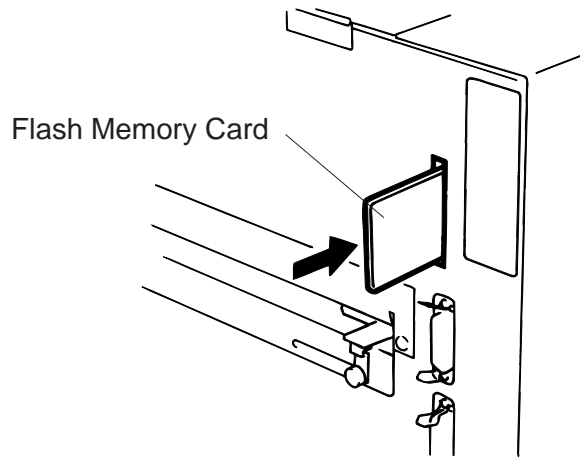


Fig. 9-1

- NOTES:**
1. Be sure to protect a flash memory card when not in use in the printer by putting it in its protective cover.
 2. Do not subject the card to any shocks or excessive forces.
 3. Do not expose the card to extremes of heat by either storing in direct sunlight or close to a heater.
 4. Do not expose the card to excessive humidity by wiping it with a wet cloth or storing it in a damp place.
 5. Before inserting or removing the card, make sure that the power switch is turned off.
 6. The following flash cards can be used. (The 1MB-card is read only and the 4MB card can read/write.)

Capacity	Maker	Type	Device code	Maker code
1M Byte	Maxell	EF-1M-TB [AA]	D0H	1CH
	Mitsubishi	MF81M1-GBDAT01		
4M Byte	Maxell	EF-4M-TB [CC]	88H	B0H
	Maxell	EF-4M-TB [DC]		
	Centennial Technologies INC.	FL04M-15-11119-03	ADH	01H
	INTEL	IMC004FLSA		
	Simple TECHNOLOGY	STI-FL/4A		
	Mitsubishi	MF84M1-G7DAT01	A2H	89H
	PC Card KING MAX	FJN-004M6C		
	PC Card	FJP-004M6R		
			A0H	89H

10. INSERTING THE OPTIONAL PCMCIA CARD (B-682 only)

WARNING:
Turn the power OFF when inserting or removing the PCMCIA card.

CAUTION:
To protect PCMCIA cards, discharge static electricity from your body by touching the printer rear cover prior touching the PCMCIA cards.

1. Turn the power off.
2. Insert the PCMCIA card into the card slot at the rear of the printer.
3. Turn the power on.

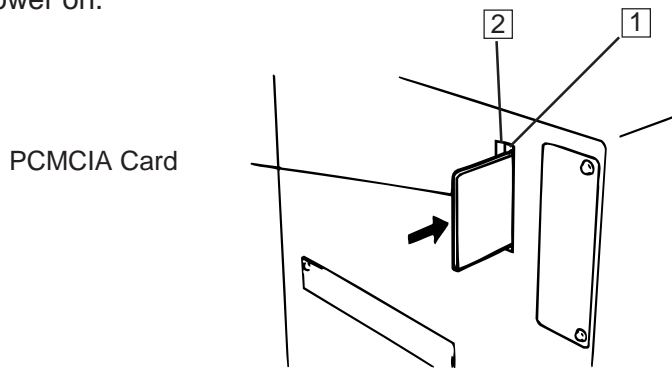


Fig. 10-1

- NOTES:**
1. Be sure to protect a PCMCIA card when not in use in the printer by putting it in its protective cover.
 2. Do not subject the card to any shocks or excessive forces.
 3. Do not expose the card to extremes of heat by either storing in direct sunlight or close to a heater.
 4. Do not expose the card to excessive humidity by wiping it with a wet cloth or storing it in a damp place.
 5. Before inserting or removing the card, make sure that the power switch is turned off.
 6. The following PCMCIA cards can be used.

Type	Maker	Description	Remarks
ATA Card		A card conforming to the PC card ATA standard	_____
LAN Card	3 COM	Ether Link III 3C589D PC card	Install into the slot (2) only. (This card installed into the slot (1) will not work.)
Flash Memory Card (4 MB)	Maxell	EF-4M-TB CC	_____
		EF-4M-TB DC	

7. Install the LAN card into the slot (2).

11. CARE/HANDLING OF THE MEDIA AND RIBBON

CAUTION:

Be sure to read carefully and understand the Supply Manual. Use only media and ribbon which meet specified requirements. Use of non-specified media and ribbon may shorten the head life and result in problems with bar code readability or print quality. All media and ribbon should be handled with care to avoid any damage to the media, ribbon or printer. Read the following guideline carefully.

- Do not store the media and ribbon for longer than the manufactures recommended shelf life.
- Store media rolls on the flat end, do not store them on the curved sides as this might flatten that side causing erratic media advance and poor print quality.
- Store the media in plastic bags and always reseal after opening. Unprotected media can get dirty and the extra abrasion from the dust and dirt particles will shorten the print head life.
- Store the media and ribbon in a cool, dry place. Avoid areas where they would be exposed to direct sunlight, high temperature, high humidity, dust or gas.
- The thermal paper used for direct thermal printing must not have the specifications which exceed Na⁺ 800 ppm, K⁺ 250 ppm and CL⁻ 500 ppm.
- Some ink used on pre-printed labels may contain ingredients which shorten the print head's product life. Do not use labels pre-printed with ink which contain hard substances such as carbonic calcium (CaCO₃) and kaolin (Al₂O₃, 2SiO₂, 2H₂O).

For further information please contact your local distributor or your media and ribbon manufacturer.

12. GENERAL MAINTENANCE

WARNING!

1. Be careful when handling the print head as it becomes very hot.
2. Care must be taken not to injure yourself with the printer paper cutter.
3. Do not touch moving parts. To reduce the risk that fingers, jewelry, clothing, etc., be drawn into the moving parts, push the switch in the "OFF" position to stop movement.
4. To avoid injury, be careful not to catch or jam your fingers while opening or closing the cover.

12.1 CLEANING

WARNING!

1. Be sure to disconnect the power cord prior to performing any maintenance.
2. Do not use any tool that may damage the print head.
3. **DO NOT POUR WATER** directly onto the printer.

To help retain the high quality and performance of your printer it should be regularly cleaned. The greater the usage of the printer, the more frequent the cleaning. (i.e. low usage=weekly : high usage=daily).

1. Turn the power off.
2. Open the top cover and right side cover.
3. Turn the head lever to raise the print head.
4. Remove the ribbon and media.
5. Clean the element of print head with print head cleaner.
6. Clean the platen with an alcohol moistened cloth.

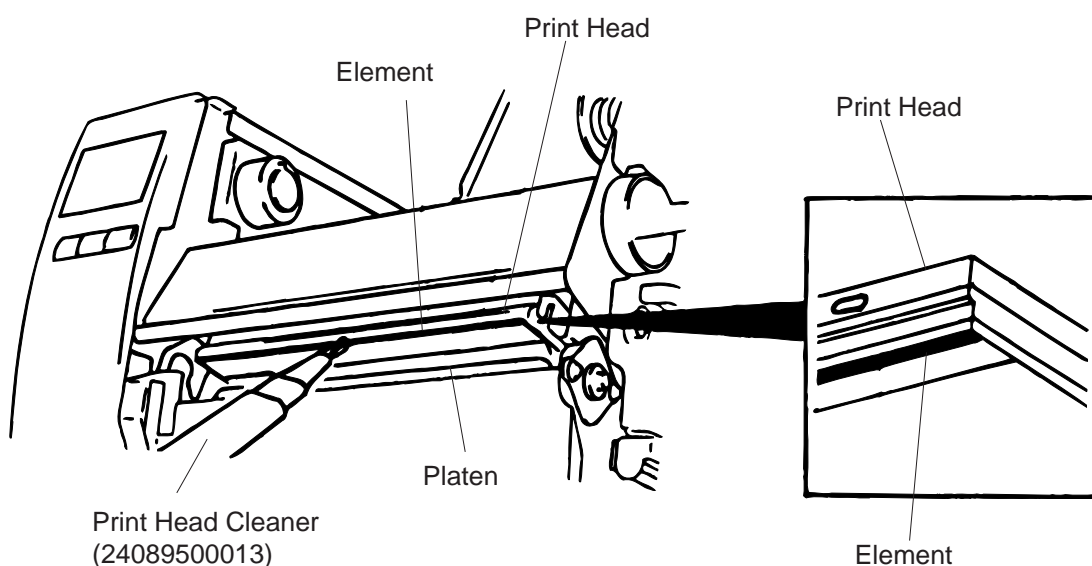


Fig. 12-1

7. Turn the pinch roller lever to the right.
8. Remove the white screw and detach the ribbon end sensor plate.

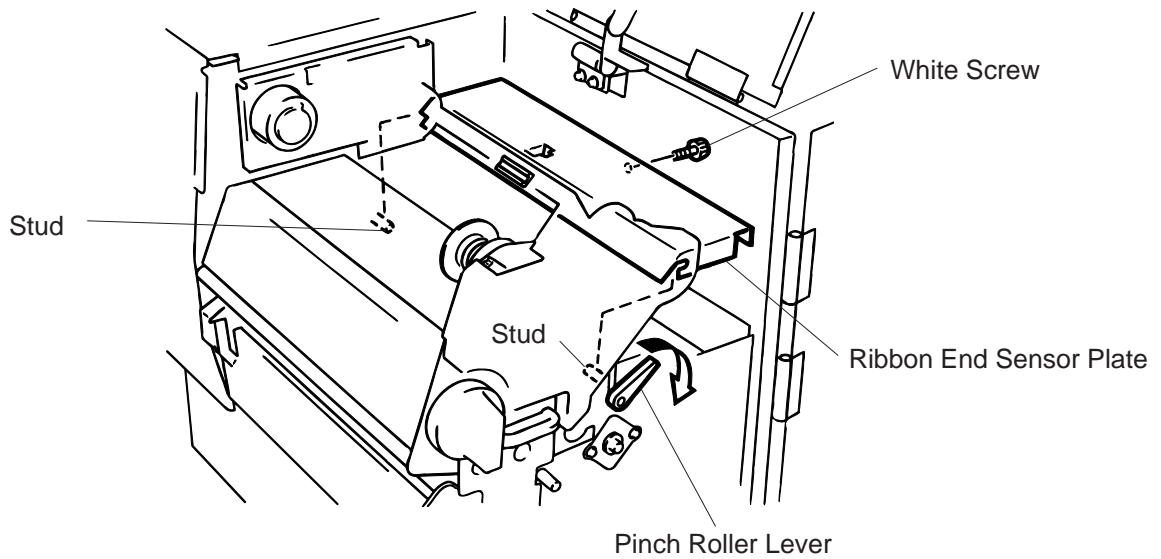


Fig. 12-2

NOTE: When installing the ribbon end sensor plate, be sure to fit both studs in the notches of the ribbon end sensor plate.

9. Remove the pinch roller block, then clean the roller belt and feed roller with cloth moistened by alcohol.

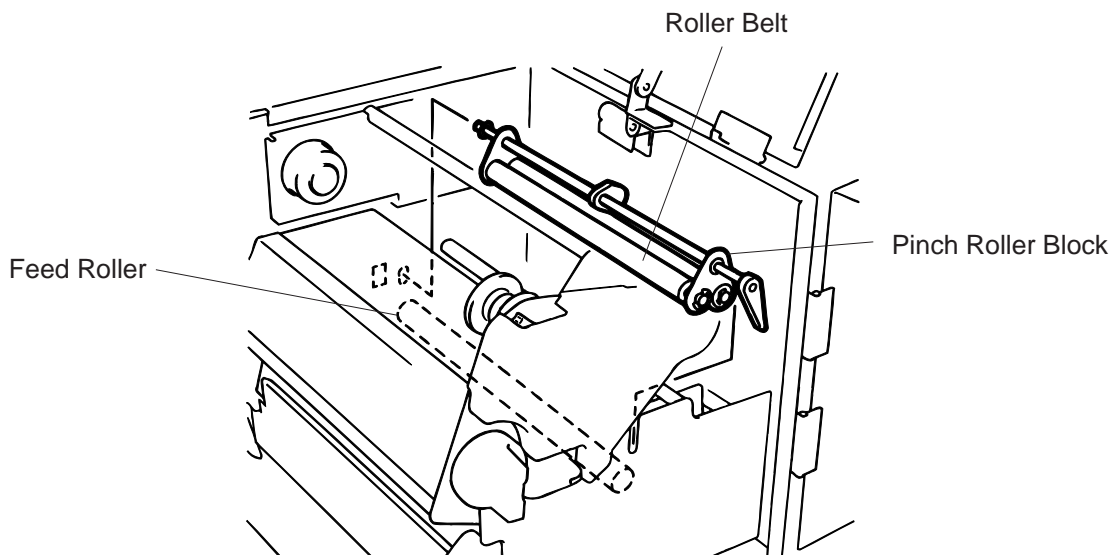


Fig. 12-3

10. Reassemble the pinch roller block in the reverse order of removal.

12.2 UNDER THE MEDIA GUIDES

1. Remove the Media Guides.

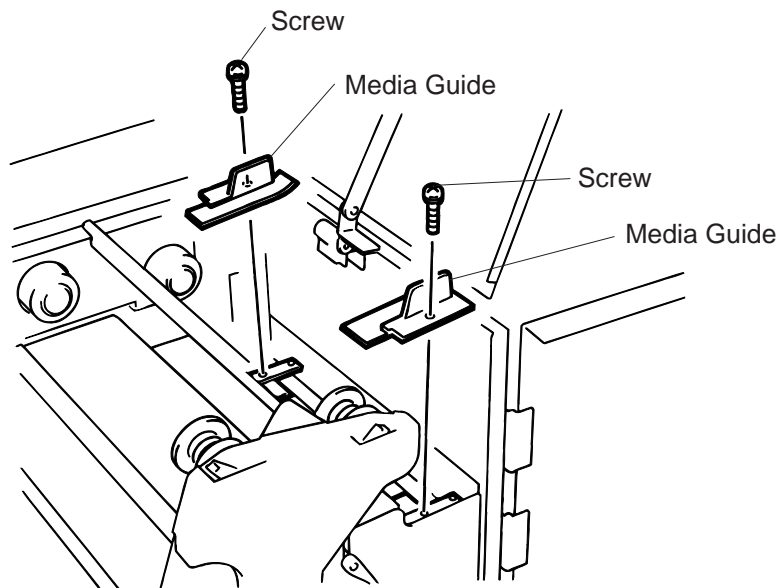


Fig. 12-4

2. Remove the jammed Media.
3. Clean "dust and glue" on the Media Guides with a soft cloth moistened with alcohol.
4. Remount the Media guides using the screws.

NOTE: Be careful **NOT TO LOSE** the screw.

12.3 COVERS AND PANELS

The covers should be cleaned by wiping with a dry cloth or a cloth slightly dampened with a mild detergent solution.

NOTE: Clean printer cover with an electrostatic free cleaner for automated office equipment.

WARNING!

1. **DO NOT POUR WATER** directly onto the printer.
2. **DO NOT APPLY** cleaner or detergent directly onto any cover or panel.
3. **NEVER USE THINNER OR OTHER VOLATILE SOLVENT** on the plastic covers.
4. **DO NOT** clean the panel covers or the supply window with alcohol as it may cause them to discolor, loose their shape or develop structural weakness.

12.4 REMOVING JAMMED MEDIA

1. Turn the power off.
2. Open the top cover, and right side cover.
3. Turn the head lever to position "OPEN," then release the head lock plate.
4. Remove the white screw, unclamp and disconnect the connector of the media guide plate, and then detach the media guide plate. (See Fig. 12-5.)
5. Remove the ribbon and media.
6. Remove the jammed media. **DO NOT USE** any sharp implement or tool as these could damage the printer.
7. Clean the print head and platen, then remove any further dust or foreign substances.
8. Place the portion ② of the media guide plate on the media sensor. Secure the media guide plate with the white screw.

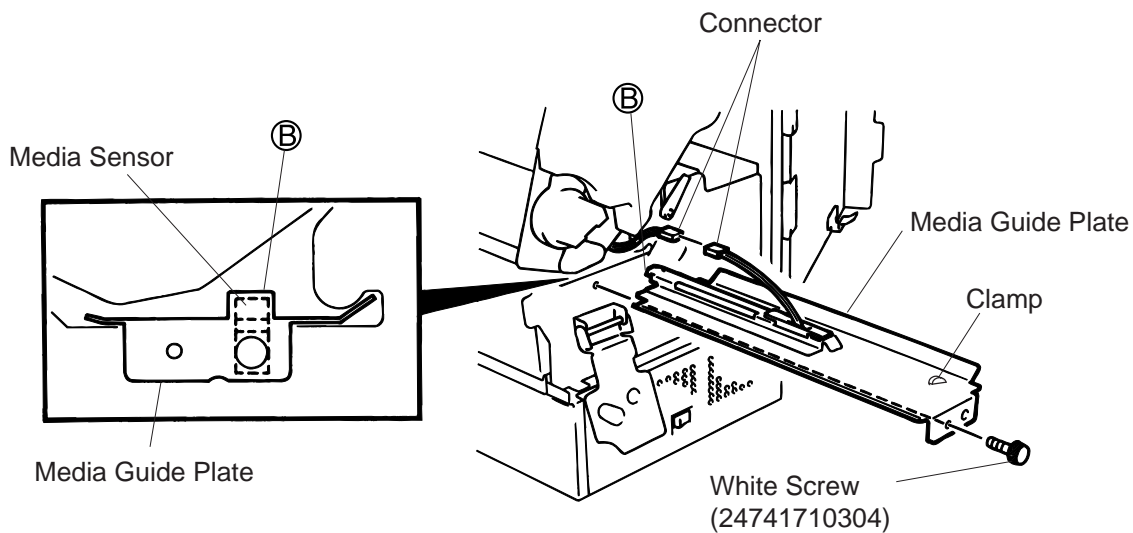


Fig. 12-5

9. Media jams in the cutter unit can be caused by wear or residual glue from label stock on the cutter. Do not use none specified media in the cutter. If you get frequent jams in the cutter contact your Authorized Service representative.

■ Cleaning the Cutter Unit

WARNING!

1. Be sure to turn the power off before cleaning the cutter unit.
2. The cutters are sharp and care should be taken not to injure yourself when cleaning.

1. Loosen two screws and remove the cutter cover.
2. Remove the white screw and media guide.
3. Remove the jammed paper and trash.
4. Clean the cutter with dry cloth.

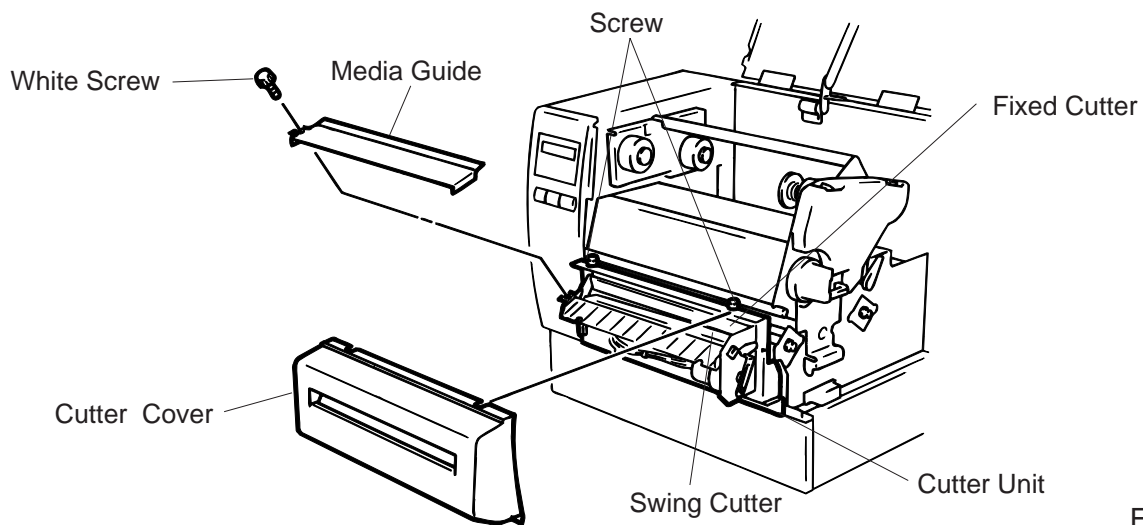


Fig. 12-7

5. Assembling is reverse order of removal.

■ Cleaning the strip unit

WARNING!

Be sure to turn the power off before cleaning the strip unit.

1. Lower the backing paper release bar to remove the jammed media.
2. Clean the strip roller and backing paper holder with ethyl alcohol.

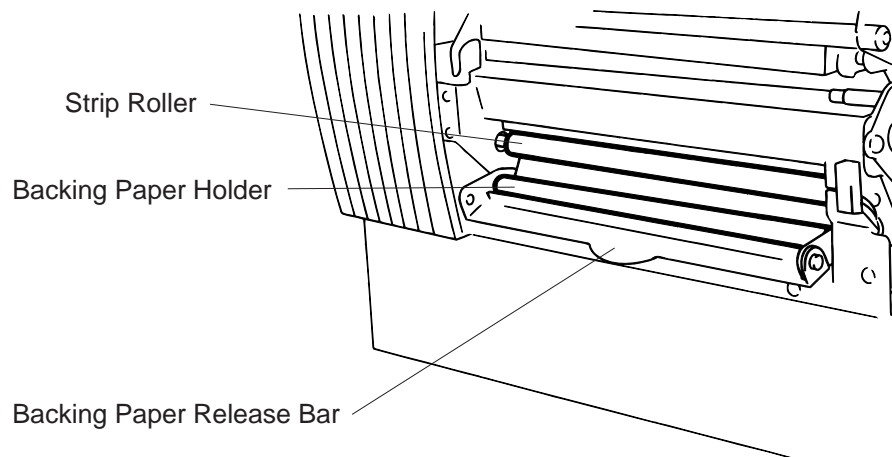
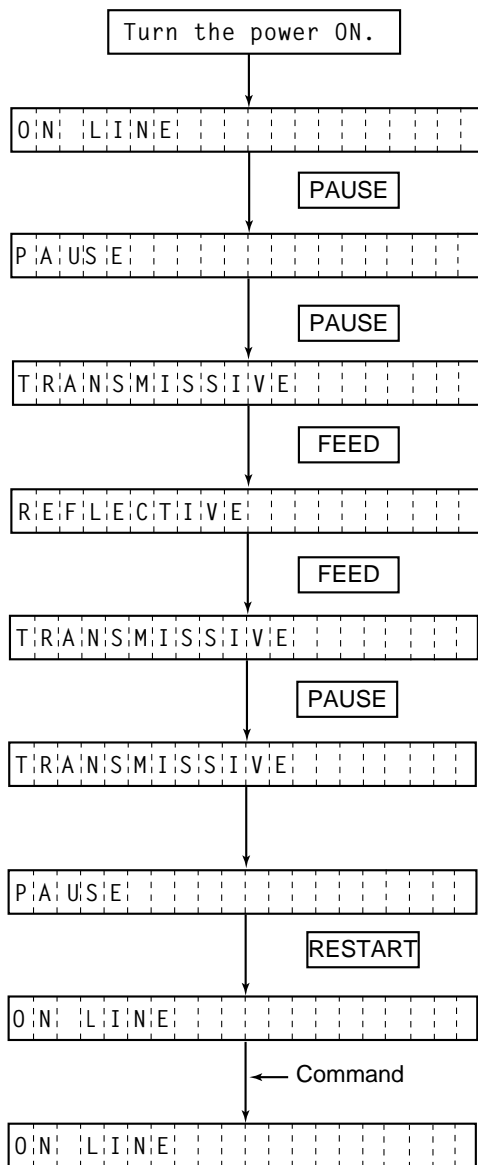


Fig. 12-8

12.5 THRESHOLD SETTING

For the printer to maintain a constant print position it uses the transmissive sensor to detect the gap between labels by measuring the amount of light passing through the media. When the media is pre-printed, the darker (or more dense) inks can interfere with this process causing paper jam errors. To get around this problem a minimum threshold can be set for the sensor in the following way.

Threshold setting procedure



- (1) The printer is in stand-by.
- (2) Load a media roll in the usual way.
- (3) Press the **[PAUSE]** key.
- (4) The printer enters the pause mode.
- (5) Press and hold the **[PAUSE]** key for at least 3 seconds in the pause state.
- (6) The sensor type is displayed.
- (7) Press the **[FEED]** key.
- (8) The reflective sensor (black mark sensor) is selected.
- (9) Press the **[FEED]** key again.
- (10) The transmissive sensor (feed gap sensor) is selected.
- (11) Press and hold the **[PAUSE]** key.
- (12) The media is advanced until the **[PAUSE]** key is released.
- (13) Release the **[PAUSE]** key when more than 1.5 labels (tags) are advanced.
(Threshold setting is completed by this operation.)
- (14) Press the **[RESTART]** key.
- (15) The printer is in stand-by.
- (16) Send an issue command from the PC to the printer.

NOTES:

1. If the **[PAUSE]** key is released within 3 seconds whilst in pause state, paper will not feed.
2. Failure to feed more than 1.5 to 2 labels may result in an incorrect threshold setting.
3. While the print head is raised, the **[PAUSE]** key does not work.
4. Error such as paper end and cutter error are not detected during paper feed.
5. Selecting the transmissive sensor (for pre-printed labels) within software commands allows the printer to detect the proper print start position correctly even when using pre-printed labels.
6. If the printer continues to print out of position after setting the threshold, adjust the feed gap sensor in the system mode. Reset the threshold again. Make sure that the transmissive sensor (for pre-printed labels) is selected in the feed and issue commands.

13. TROUBLESHOOTING

WARNING!

If you cannot solve a problem with the following solutions, do not attempt to repair it yourself. Turn the power off, unplug the printer, then contact your TOSHIBA TEC representative for assistance.

Error Message	Problem	Solution
PAPER JAM ****	<ol style="list-style-type: none"> The media is not fitted correctly. The media path is jammed and does not feed smoothly. The installed media type does not match the selected sensor. The black mark position on the media does not match the sensor position. The installed media size is different from the programmed size. The feed gap sensor cannot see the difference between the print area and the gap. 	<ol style="list-style-type: none"> Re-fit the media correctly. → Press the RESTART key. Remove the cause of the jam and replace the media correctly. → Press the RESTART key. Turn the power off then on again. Select the correct sensor. → Feed the media. Adjust the sensor position. → Press the RESTART key. Turn the power off then on again. Set the correct media size. → Feed the media. Set the threshold (see page 12-6). Else Turn the power off and call your Authorized Service representative.
HEAD OPEN ****	Feed or printing has been attempted while the print head is raised or the pinch roller lever is depressed.	Lower the print head or raise the pinch roller lever. → Press the RESTART key.
NO PAPER ****	The media has run out.	Load new media. → Press the RESTART key.
NO RIBBON ****	The ribbon has run out.	Load a new ribbon. → Press the RESTART key.

Error Message	Problem	Solution
EXCESS HEAD TEMP.	The print head is too hot.	Turn the power off and decrease the print head temperature.
HEAD ERROR	This message is displayed when sending the head broken check command ([ESC] HD001 [LF] [NUL]) and the print head has a broken element.	<ol style="list-style-type: none"> Restart the printing by pressing the RESTART key. Replace the print head.
RIBBON ERROR ****	There is a fault with the ribbon sensor.	Turn the power off. Contact your Authorized Service representative.
CUTTER ERROR ****	Media is jammed in the cutter.	<p>Remove the jammed media and feed the undamaged media through the cutter.</p> <p>→ Press the RESTART key.</p> <p>Else Turn the power off and contact your Authorized Service representative.</p>
FLASH WRITE ERROR	An error has occurred when loading data onto a flash memory card or ATA card.	<ol style="list-style-type: none"> Turn the power off, re-seat the flash memory card or ATA card and try again. Replace the flash memory card or ATA card and retry. Turn the power off and contact your Authorized Service representative.
FORMAT ERROR	An error has occurred while formatting a flash memory card or ATA card.	<ol style="list-style-type: none"> Turn the power off, re-seat the flash memory card or ATA card and try again. Replace the flash memory card or ATA card and retry. Turn the power off and contact your Authorized Service representative.
FLASH MEMORY FULL	No more data can be saved in the flash memory card or ATA card.	<p>Replace the card with a new one and re-send data.</p> <p>(In case of flash memory card, only 1MB and 4MB cards can be used. B-682: 4 MB only)</p>
COMMUNICATION ERROR	A communication error has occurred with the host.	<p>Turn the power off then on again or press the RESTART key.</p> <p>Check the program data.</p> <p>→ Call your Authorized Service representative if necessary.</p>

Error Message	Problem	Solution
example) PC001;0A00, ↑ Command error 0300, 2, 2	When an error is detected in a command 20 bytes of the command are displayed. (ESC, LF, NUL are not displayed.)	Correct the command and re-send it again.
Other Error Message	Hardware or software trouble.	Turn the power off then on again. If the problem still exists turn the power off and contact your Authorized Service representative.
<p>NOTE: If an error is not cleared by pressing the RESTART key, the power must be switched off then on again. After the power has been switched off and on, all print data in the printer is cleared. **** denotes a remaining count of unprinted labels.</p>		

Problem	Solution
No print.	<ol style="list-style-type: none"> 1. Check that the media and the ribbon is loaded correctly. 2. Check whether the print head is set correctly or not. 3. Check the cabling between the printer and the host.
Dots missing in the print.	<p>Dirty print head. → Clean the print head. Call your Authorized Service representative if necessary.</p>
Unclear (or blurred) printing.	<ol style="list-style-type: none"> 1. Dirty print head. → Clean the print head. 2. Bad or faulty ribbon. → Replace ribbon. 3. Poor media quality. → Change media type.
Power does not come on.	<ol style="list-style-type: none"> 1. Plug power cord into an AC socket. 2. Check the circuit breakers or fuses. 3. Plug another appliance into the AC socket to check if there is power supplied. <p>Call your Authorized Service representative if necessary.</p>
Printer does not cut.	<p>Check for a paper jam in the cutter. Call your Authorized Service representative if necessary.</p>
You see a raised nap where the media has been cut.	<ol style="list-style-type: none"> 1. Clean the cutter blades. 2. The blades are worn. → Call your Authorized Service representative.

TEC

l'imprimante Transfert Thermique TEC

B-670/680 SERIES

Mode d'emploi

Résumé des précautions

La sécurité personnelle lors de la manipulation ou de l'entretien du matériel est extrêmement importante. Les avertissements et précautions nécessaires à la manipulation en toute sécurité du matériel sont inclus dans ce manuel. Les avertissements et précautions contenus dans ce manuel doivent être lus et assimilés avant toute manipulation ou entretien.

Ne tentez pas d'effectuer des réparations ou des modifications sur ce matériel. Si une erreur se produit qui ne peut être résolue en suivant les instructions de ce manuel, coupez le courant, déconnectez le câble secteur et contactez votre revendeur agréé TOSHIBA TEC pour une assistance technique.

Explication des symboles



Ce symbole signale une mise en garde (ou des précautions).
Le dessin à l'intérieur du \triangle symbole précise quelle est l'action à exécuter.
(Le symbole ci-contre indique une précaution d'ordre général.)



Ce symbole signale une action interdite (interdictions).
Le dessin à l'intérieur ou près du \odot symbole précise quelle est l'action interdite.
(Le symbole ci-contre indique "Ne pas démonter".)



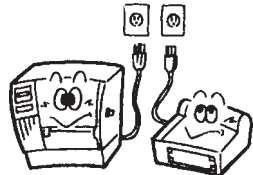
Ce symbole indique une action à effectuer.
Le dessin à l'intérieur du \bullet symbole précise quelle est l'action à exécuter.
(Le symbole ci-contre indique "Retirer la fiche secteur de la prise".)



ATTENTION Indique un danger de **mort** ou de **blessures graves** si l'équipement est utilisé en négligeant ces instructions.



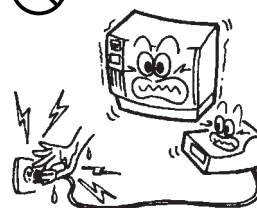
Interdiction d'utiliser une tension autre que celle spécifiée



■ Ne faites pas fonctionner la machine avec une tension électrique différente de celle indiquée sur la plaquette des caractéristiques. Ceci pourrait provoquer un **incendie** ou une **électrocution**.



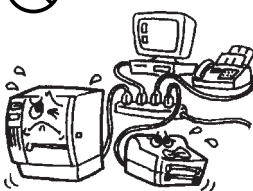
Interdit



■ Ne branchez pas et ne débranchez pas la fiche secteur avec les mains mouillées. Vous risqueriez une **électrocution**.



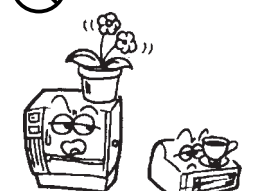
Interdit



■ Si la machine partage une même prise avec d'autres appareils consommant beaucoup d'électricité, il y aura des fluctuations de tension importantes lorsque ces appareils fonctionnent. Pour éviter une **anomalie** causée par de telles fluctuations, ne branchez pas d'autres appareils à la même prise que la machine.



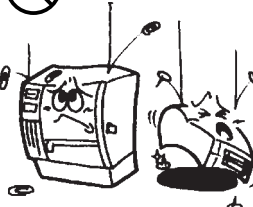
Interdit



■ Ne placez pas d'objets métalliques ou de récipients contenant un liquide (vases, pots de fleurs, tasses, etc.) sur la machine. Un objet métallique ou un liquide peut provoquer un **incendie** ou une **électrocution** s'il pénètre accidentellement dans la machine.



Interdit



■ N'introduisez pas et ne faites pas tomber de pièces métalliques, de matières inflammables ou d'autres objets dans les ouvertures d'aération de la machine. Ils pourraient provoquer un **incendie** ou une **électrocution**.



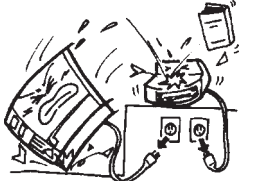
Interdit



■ N'essayez pas de réparer ou de modifier vous-même la machine. Ceci pourrait provoquer un **incendie** ou une **électrocution**. Pour toute question sur les réparations, adressez-vous à votre revendeur (ou au service après-vente).



Débranchez la fiche.






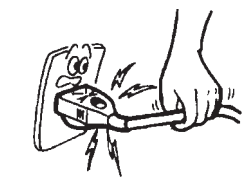

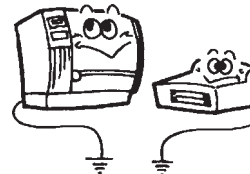

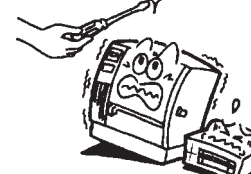
■ Si les machines tombent, ou que leur capot est endommagé, commencez par positionner le bouton marche/arrêt sur arrêt et par déconnecter le câble secteur de la prise murale. Ensuite, contactez votre revendeur agréé TOSHIBA TEC pour une assistance technique. Une utilisation prolongée de l'imprimante dans ces conditions peut être source d'incendie ou de choc électrique.



Débranchez la fiche.



■ Une utilisation prolongée de l'imprimante dans une condition anormale, comme par exemple lorsque l'imprimante produit de la fumée ou des odeurs étranges peut être source d'incendie ou de choc électrique. Dans ce cas, éteignez immédiatement l'interrupteur marche/arrêt et déconnectez le câble secteur de la prise murale. Ensuite, contactez votre revendeur agréé TOSHIBA TEC pour une assistance technique.

 <p>Débranchez la fiche.</p> 	<p>■ Si des corps étrangers (fragments de métal, eau, liquides) pénètrent à l'intérieur de la machine, commencez par positionner le bouton marche/arrêt sur arrêt et par déconnecter le câble secteur de la prise murale. Ensuite, contactez votre revendeur agréé TOSHIBA TEC pour une assistance technique. Une utilisation prolongée de l'imprimante dans ces conditions peut être source d'incendie ou de choc électrique.</p>	 <p>Débranchez la fiche.</p> 	<p>■ Pour débrancher le câble d'alimentation, tirez-le par la prise. Ne tirez pas directement sur le câble. Ceci pourrait sectionner et exposer les fils internes du câble et causer un incendie ou une électrocution.</p>
 <p>Connectez un fil de terre.</p> 	<p>■ Assurez vous que votre installation est correctement relié à la terre. Une mauvaise installation peut provoquer un début d'incendie ou un choc électrique.</p>	 <p>Démontage interdit</p> 	<p>■ Ne pas retirer les capots, réparer ou modifier l'imprimante par vous même. Vous pouvez recevoir un choc électrique ou vous blessé par des bords tranchants dans l'imprimante.</p>



PRECAUTION

Indique un risque de **blessures** ou de **dommages** si l'équipement est utilisé en négligeant ces instructions.

Précautions

les précautions suivantes vous permettront d'avoir un fonctionnement correct de l'imprimante.

- Evitez les endroits qui présentent les conditions défavorables suivantes :
 - * Température hors des spécifications
 - * Exposition directe au soleil.
 - * Humidité élevée
 - * Alimentation secteur partagée avec d'autres dispositifs.
 - * Vibrations excessives
 - * Poussière/Gaz
- Nettoyez le couvercle en l'essuyant au moyen d'un chiffon sec ou d'un chiffon imbibé de détergent. **NE JAMAIS UTILISER DE DILUANT NI D'AUTRES SOLVANTS VOLATILES** sur les capots en plastique.
- Utilisez des étiquettes et des rubans recommandés par TOSHIBA TEC.
- N'entrez pas les films et media à un endroit où ils seraient exposés à la lumière directe du soleil, à des températures élevées, à une humidité importante, à de la poussière ou à des gaz.
- Assurez-vous d'utiliser l'imprimante sur une surface plane.
- Toute information mémorisée dans la mémoire de l'imprimante peut être perdue lors d'une erreur d'impression.
- Evitez d'utiliser cet équipement sur la même ligne secteur que des appareils de forte puissance ou susceptibles d'émettre des interférences.
- Eteindre l'imprimante lors des interventions à l'intérieur ou lors des nettoyages.
- s'assurer de garder l'environnement de travail à l'abri de l'électricité statique.
- Ne placez pas d'objets lourds sur la machine. Ils pourraient tomber et **bless** quelqu'un.
- Ne bouchez pas les ouvertures d'aération de la machine. La chaleur s'accumulerait à l'intérieur et pourrait provoquer un **incendie**.
- Ne pas s'appuyer contre l'imprimante Celle-ci peut tomber et vous pouvez être blessé.
- Faire attention au couteau de l'imprimante.
- Débranchez l'imprimante lorsqu'elle n'est pas utilisée pendant une longue période.

Au sujet de la maintenance

- Faites appel à nos services de maintenance. Après avoir reçu le matériel, prenez contact avec votre revendeur agréé TOSHIBA TEC pour une visite de maintenance annuelle, de manière à effectuer un nettoyage complet de l'intérieur de la machine. Autrement, la poussière qui s'accumule à l'intérieur de la machine peut être source d'incendie ou de mauvais fonctionnement. Le nettoyage est particulièrement nécessaire avant les saisons humides ou pluvieuses.
- Nos services de maintenance effectuent les vérifications périodiques et les autres opérations nécessaires à maintenir la qualité et la performance des imprimantes. Prévenant de ce fait les problèmes. Pour tous détails, consultez votre revendeur agréé TOSHIBA TEC.
- Utilisations d'insecticides et d'autres produits. N'exposez pas les machines aux insecticides ou à d'autres solvants volatiles, dans la mesure où cela peut endommager les capots ou entraîner un écaillage de la peinture.

TABLE DES MATIERES

	Page
1. INTRODUCTION	F1- 1
1.1 MODELE APPLICABLE	F1- 1
1.2 ACCESSOIRES	F1- 1
2. SPECIFICATIONS	F2- 1
2.1 IMPRIMANTE	F2- 1
2.2 OPTIONS	F2- 2
2.3 PAPIER	F2- 3
2.4 FILM	F2- 3
3. VUE GENERALE	F3- 1
3.1 FACE AVANT ET ARRIERE	F3- 1
3.2 PANNEAU DE CONTROLE	F3- 1
4. UTILISATION DES DIP SWITCH	F4- 1
5. PROCEDURE DE MISE EN PLACE	F5- 1
5.1 CONDITIONS D'OPÉRATION	F5- 1
5.2 INSTALLATION	F5- 1
6. MISE EN ROUTE DE L'IMPRIMANTE	F6- 1
6.1 CONNEXION DU CORDON D'ALIMENTATION ET DES CABLES ...	F6- 1
6.2 INSTALLATION DU SUPPORT-PAPIER	F6- 1
7. CHARGEMENT DU FILM	F7- 1
8. CHARGEMENT DU PAPIER	F8- 1
9. INSTALLATION DE LA CARTE MEMOIRE FLASH (OPTION)	F9- 1
10. INSTALLATION DE LA CARTE PCMCIA (OPTION)	F10- 1
11. PRECAUTIONS DE STOCKAGE DES CONSOMMABLES	F11- 1
12. MAINTENANCE	F12- 1
12.1 NETTOYAGE	F12- 1
12.2 ELIMINATION DES FOURNITURES COINCEES	F12- 3
12.3 CAPOTS ET PANNEAUX	F12- 3
12.4 POUR ENLEVER LE PAPIER COINCE	F12- 4
12.5 REGLER LA DETECTION DES ETIQUETTES PRE-IMPRIMEES ..	F12- 6
13. DEEPISTAGE DES PANNES	F13- 1

ATTENTION:

1. Ce manuel ne peut être copié, en entier ni en partie sans autorisation préalable de TOSHIBA TEC.
2. Le contenu de ce manuel peut être changé sans information préalable.
3. Contacter un agent TOSHIBA TEC pour toutes questions.

ATTENTION!

Ce produit est de classe A. Dans un environnement domestique, il peut causer des interférences radio. Auquel cas, l'utilisateur sera amené à prendre les mesures adéquates.

ATTENTION:

Ne pas toucher aux parties mobiles. Pour éviter de prendre vos doigts, vos bijoux, vos vêtements etc... dans les parties mobiles de l'imprimante, éteignez préalablement la machine.

1. INTRODUCTION

Nous vous remercions d'avoir porté votre choix sur l'imprimante transfert thermique de la série B-672/682. Il s'agit d'une nouvelle génération d'imprimantes extrêmement performantes, équipées des dernières innovations, comme la tête d'impression thermique <<EDGE>> haute densité (12 points au mm ou 305 points au pouce). Vous obtiendrez une impression de qualité à la vitesse maximale de 203.2 mm par seconde (8 pouces/seconde).

L'imprimante est équipée en standard d'un dispositif de support externe de rouleau. En option, l'imprimante accepte un système de pré-décollage des étiquettes ou un massicot.

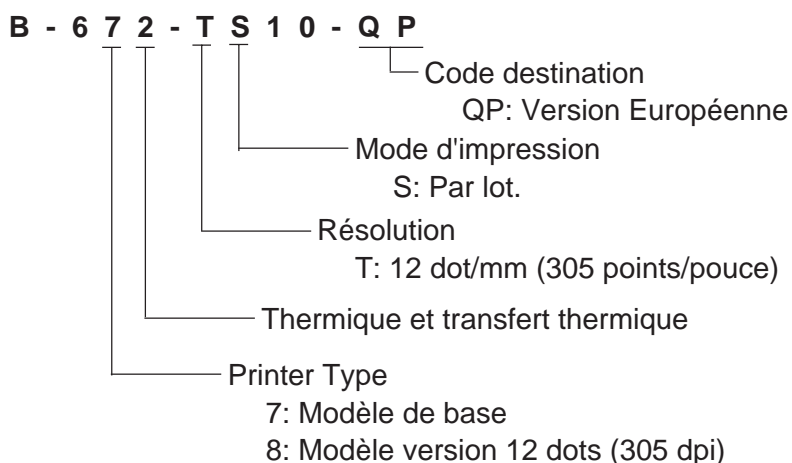
Ce manuel contient les instructions de maintenance et d'installation. Une lecture attentive vous aidera à obtenir des performances optimales et une longévité accrue de votre imprimante.

Pour toute question au sujet de l'imprimante, veuillez vous référer au présent manuel. Conservez-le à toutes fins utiles.

1.1 MODELE APPLICABLE

- B-672-QP
- B-682-TS10-QP

Description du modèle

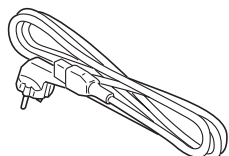


1.2 ACCESSORIES

Manuel utilisateur
(EO1-33016)



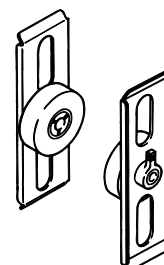
Cordon d'alimentation



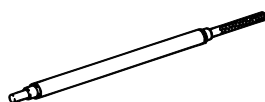
Nettoyeur de tête
(24089500013)



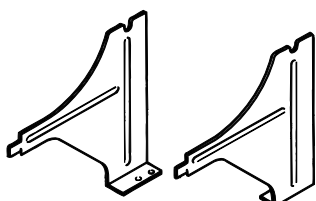
Flasque



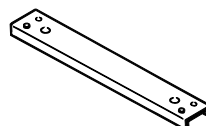
Axe support papier



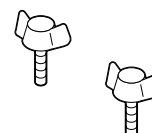
Support latéraux



Base du support papier



Vis
(M-4x6)



2. SPECIFICATIONS

2.1 IMPRIMANTE

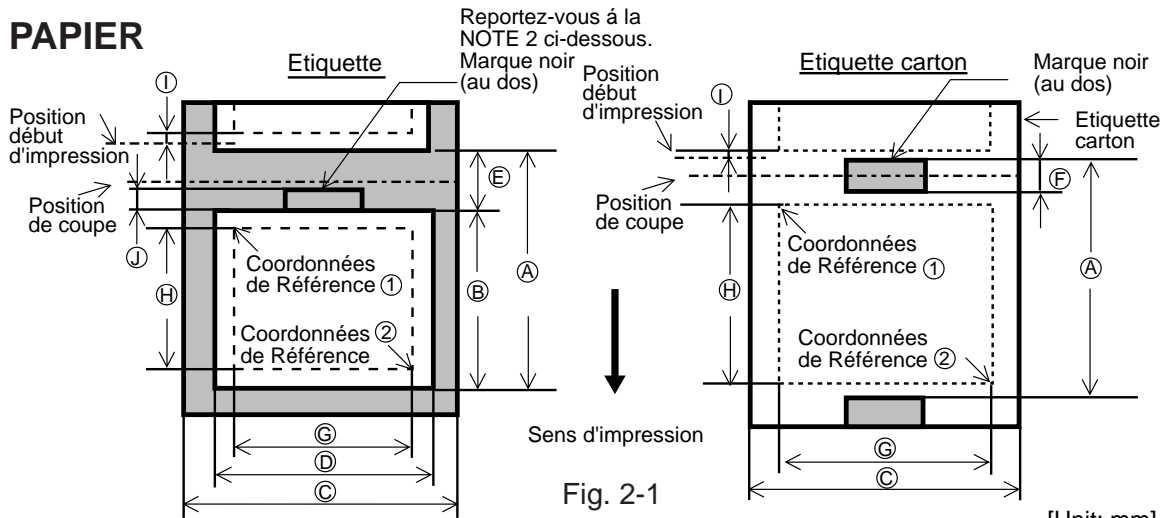
Article \ Type	Série B-672/682-QP
Alimentation	85-138V, 50-60Hz 187-276V, 50-60Hz
Consommation	1.4A, 260W max. (attente: 270 mA, 26 W max.)
Limites de température	5°C ~ 40°C
Humidité relative	25% ~ 85%HR (sans condensation)
Tête d'impression	Tête d'impression thermique 12 points au mm
Méthode d'impression	Transfert thermique ou thermique direct
Vitesse d'impression	76.2 mm/sec., 101.6 mm/sec., 203.2 mm/sec.
Largeur d'impression	170.6 mm
Méthode de sortie	Par lot, à la demande ou à la coupe
Affichage de message	20 caractères sur une ligne (LCD)
Dimension	437 mm (L) x 282 mm (l) x 395 mm (H)
Poids	B-672: 25 kg, B-682: 26 kg
Type de codes à barre	JAN8, JAN13, EAN8, EAN8+2, EAN8+5 EAN13, EAN13+2, EAN13+5 UPC-E, UPC-E+2, UPC-E+5 UPC-A, UPC-A+2, UPC-A+5 MSI, ITF, NW-7, Code39 Code93, Code128, EAN128, 2 parmi 5 Industrial, Customer Bar Code, POSTNET, RM4SCC (ROYAL MAIL 4STATE CUSTOMER CODE), KIX CODE
Code bidimensionnel	Data Matrix, PDF417, QR Code, Maxi Code, Micro PDF417, CP Code (B-672 seulement)
Polices	Times Roman (6), Helvetica (6), Presentation (1), Letter Gothic (1), Prestige Elite (2), Courier (2), OCR (2), Polices télé-chargables (40, mode 2 octets disponible: B-682), Police vectorielle (B-672:1, B-682: 4), Price font (B-682: 3)
Rotation des zones	0°, 90°, 180°, 270°
Interface standard	Séris (RS-232C) Parallèle (CENTRONICS) Carte Entrée-Sortie Carte mémoire Flash (B-672 seulement)
Interface en option	PCMCIA interface (B-682 seulement)

* *Data Matrix™* is a trademark of International Data Matrix, Inc.
PDF417 is a trademark of Symbol Technologies, Inc.

2.2 OPTIONS

Nom	Type	Utilisation
Module cutter	B-4208-QM	Cutter pour coupe à l'arrêt.
Strip module	B-4908-H-QM	Pré-décollage de l'étiquette avec blocage du réembobineur.
D-RAM PC Board (B-672 seulement)	_____	RAM pour étendre le buffer d'impression par page de 2MB.
Carte mémoire (B-672 seulement)	_____	Carte mémoire Flash (1MB et 4MB) pour mémoriser logos, polices téléchargeables et formats.
Interface carte PCMCIA (B-682 seulement)	B-8700-PC-QM	Cette Interface permet l'utilisation des cartes PCMCIA suivantes: <ul style="list-style-type: none"> • LAN CARD: 3 COM EtherLink®III (recommandé). 3 COM 3CCE589ET (recommandé). • Carte ATA conforme au standard PC des cartes ATA. • Carte mémoire Flash 4 Mo (Voire page 10-1)

2.3 PAPIER



[Unit: mm]

Article		Mode d'impression				
		Par lot	A la demande	A la coupe		
A: Hauteur hors tout	B-672	10.00 ~ 999.0	25.4 ~ 999.0	Etiquette: 38 ~ 999.0 Carte: 25.4 ~ 999.0		
	B-682	10.00 ~ 1709.0	25.4 ~ 1709.0	Etiquette: 38 ~ 1709.0 Carte: 25.4 ~ 1709.0		
B: Hauteur étiquette	B-672	7.5 ~ 996.5	22.9 ~ 996.5	25.0 ~ 993.0		
	B-682	7.5 ~ 1707.0	22.9 ~ 1707.0	25.0 ~ 1703.0		
C: Largeur hors tout		84.0 ~ 175.0 (Reportez-vous à la NOTE 3.)				
D: Largeur étiquette		81.0 ~ 172.0				
E: Echenillage		2.5 ~ 20.0	2.5 ~ 20.0	6.0 ~ 20.0		
F: Marque noir (Etiquette carton)		2.5 ~ 10.0				
G: Largeur d'impression		10.0 ~ 170.6				
Hauteur d'impression	Etiquette	Standard	B-672	5.5 ~ 298.6	20.9 ~ 298.6	23.0 ~ 298.6
		Mémoire max.	B-682	5.5 ~ 1705.0	20.9 ~ 1705.0	23.0 ~ 1705.0
	Carte	Standard	B-672	8.0 ~ 298.6	23.4 ~ 298.6	23.4 ~ 298.6
		Mémoire max.	B-672	8.0 ~ 1705.0	—	23.4 ~ 1705.0
		Standard	B-672	8.0 ~ 298.6	23.4 ~ 298.6	23.4 ~ 298.6
			B-682	8.0 ~ 1705.0	—	23.4 ~ 1705.0
Mémoire max.	B-672	8.0 ~ 981.3	23.4 ~ 981.3	23.4 ~ 981.3		
H: Distance de non impression		1.0				
I: Marque noir (Etiquette)		Reportez-vous à la NOTE 2.				
Longueur max.	Standard	B-672	149.3			
		B-682	852.0			
	Mémoire max.	B-672	490.6			
Diamètre externe bobine papier		Ø200 Max.				
Epaisseur	Etiquette	0.13 ~ 0.17				
	Carte	0.10 ~ 0.17				

NOTES:

- Les spécifications concernant le papier restent inchangées.
- Lors de l'utilisation de rouleaux d'étiquette avec marque noire, les spécifications suivantes doivent être respectées.
Lorsque la longueur de la marque noire est inférieure à 4 mm:
La longueur de la marque noire doit être supérieure à la hauteur de l'échenillage.
Lorsque la longueur de la marque noire est supérieure à 4 mm:
La marque noire ne doit pas dépasser de plus de 4 mm sur l'étiquette suivante.
- A la vitesse d'impression de 8 pouces/sec., la largeur hors tout sera de 84 à 150 mm. Avec les options massicot ou module de décolage d'étiquettes, la largeur hors tout sera entre 101.6 et 175 mm.
- L'utilisation d'un papier plus étroit que la largeur minimale peut raccourcir la durée de vie de la tête.
- Lors de l'impression d'étiquettes thermiques à la vitesse de 8" par second, l'impression doit être arrêtée à 1mm du bord de l'étiquette.

2.4 FILM

Type	Bobine
Largeur	115 mm à 185 mm (Reportez-vous à la NOTE 5.)
Longueur	300 m
Diamètre externe	Ø72 mm (max.)

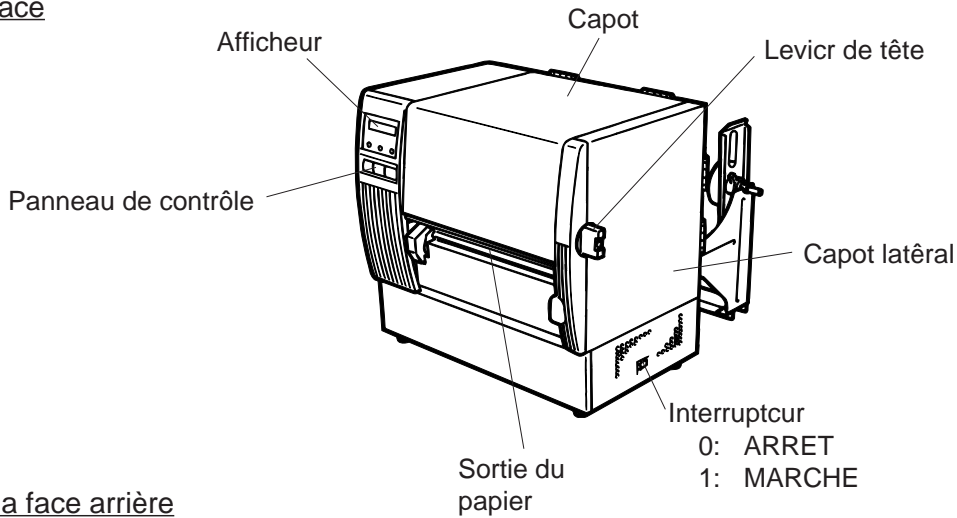
NOTES:

- "Double buffer" signifie que l'imprimante procède à l'impression et au dessin sans s'arrêter entre chaque étiquette.
- Il est recommandé d'utiliser des rubans et des papiers indiqués par TOSHIBA TEC.
- Lors de l'utilisation du cutter, assurez-vous que la hauteur de l'étiquette (B) ainsi que l'échenillage (E) dépassent 35mm.
- Afin d'éviter le frissement du film, utilisez un film au moins 5 mm plus large que le support. Une trop grande différence de largeur entre le support et le film peut causer le frissement du film.
- A la vitesse d'impression de 8 pouces/sec., la largeur de film sera entre 115 et 160 mm.

3. VUE GENERALE

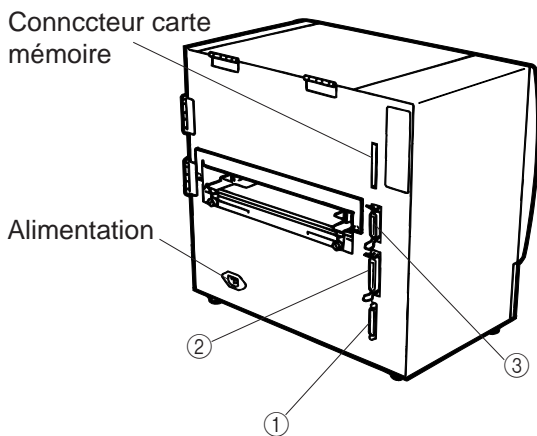
3.1 FACE AVANT ET ARRIERE

Vue de face

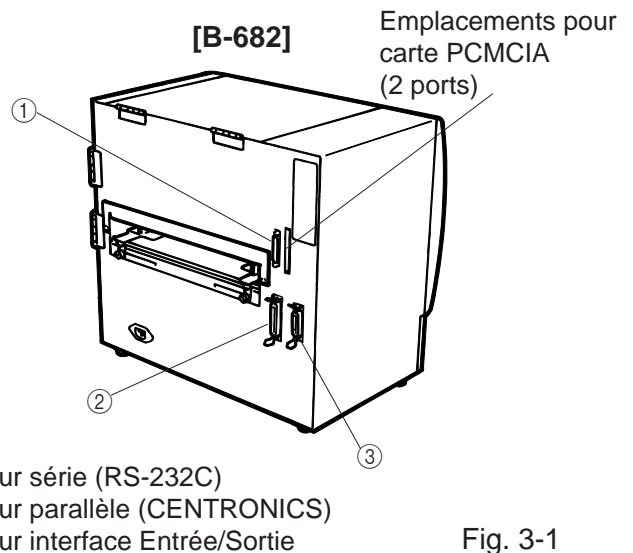


Vue de la face arrière

[B-672]



[B-682]



- ① Connecteur série (RS-232C)
- ② Connecteur parallèle (CENTRONICS)
- ③ Connecteur interface Entrée/Sortie

Fig. 3-1

3.2 PANNEAU DE CONTROLE

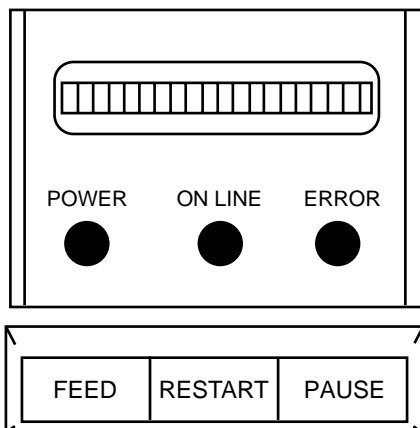


Fig. 3-2

AFFICHAGE DES MESSAGES (LCD)

Lors de la mise sous tension, le voyant "ON LINE" est affiché.

VOYANT POWER (Vert)

Allumé lorsque l'imprimante est sous tension.

VOYANT ON-LINE (Vert)

- 1) Clignote pendant une communication avec l'ordinateur hôte.
- 2) Allumé pendant l'impression.

VOYANT ERREUR (Rouge)

Allumé lors d'une erreur de transmission, d'une fin de papier ou de ruban.

BOUTON FEED

Avance d'une étiquette.

BOUTON RESTART

Relance l'impression lors d'une pause ou à la suite d'une erreur. Utilisé pour la détection des papiers pré-imprimés.

BOUTON PAUSE

Arrête l'impression en cours.

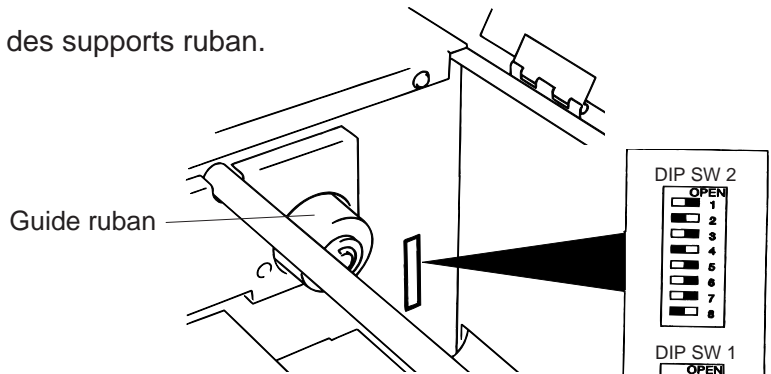
L'afficheur indique "PAUSE" suivi du nombre d'étiquettes restant à imprimer. Utilisé pour la détection des papiers pré-imprimés.

4. UTILISATION DES DIP SWITCH (B-672 seulement)

Les interrupteurs sont situés du côté droit des supports ruban.

ATTENTION!

Couper l'alimentation de l'imprimante avant de modifier la configuration.



(1) Interrupteur 1-DIP SW 2

No.	ON/OFF		FUNCTION	
	1	2		
1	OFF	OFF	2400 BPS	Vitesse
	ON	OFF	4800 BPS	
2	OFF	ON	9600 BPS	Vitesse
	ON	ON	19200 BPS	
3	OFF		1 bit	Stop bit
	ON		2 bits	
4	OFF		7 bits	Longueur
	ON		8 bits	
5	OFF		Sans	Parité
	ON		Avec	
6	OFF		Pair	Contrôle de parité
	ON		Impair	
7	7	8	XON/XOFF (Pas de XON à l'allumage) (Pas de XOFF à l'arrêt)	Protocol
	OFF	OFF		
8	ON	OFF	READY/BUSY (DTR) (Pas de XON à l'allumage) (Pas de XOFF à l'arrêt) READY/BUSY (RTS) (Pas de XON à l'allumage) (Pas de XOFF à l'arrêt)	Protocol
	OFF	ON	XON/XOFF+READY/BUSY (XON à l'allumage) (XOFF à l'arrêt)	
	ON	ON	XON/XOFF (XON à l'allumage) (XOFF à l'arrêt)	

Fig. 4-1

(2) Interrupteur 2-DIP SW 1

No.	ON/OFF			FUNCTION	
	2	3	4		
1	OFF			Inutilisé	
	ON				
2	OFF	OFF	OFF	Anglais	
	ON	OFF	OFF	Allemand	
	OFF	ON	OFF	Français	
3	ON	ON	OFF	Flamand	
	OFF	OFF	ON	Espagnol	
	ON	OFF	ON	Japonais	
4	OFF	ON	ON	Italien	
	ON	ON	ON	-	
5	OFF			Sans	
	ON			Avec	
6	OFF			Inutilisé	
	ON				
7	OFF			Inutilisé	
	ON			Cellulos	
8	OFF			Inutilisé	
	ON				

NOTES: Les positions en grisé sont celles par défaut. OPEN=OFF

5. PROCEDURE DE MISE EN PLACE

5.1 CONDITIONS D'OPÉRATION

L'utilisation de la B-672/682 nécessite différentes conditions:

- L'ordinateur hôte doit posséder un port série ou un port en parallèle.
- Pour communiquer avec l'ordinateur hôte, il est recommandé d'utiliser :
 - (1) soit un câble d'interface série 25 broches RS-232C.
 - (2) soit un câble d'interface parallèle CENTRONICS.
- Pour imprimer le format, créer le logiciel en utilisant le manuel interface/communication.

■ Câbles Interface

Pour prévenir les émissions de radiations et la réception de bruits parasites, les câbles d'interface doivent correspondre aux caractéristiques suivantes:

- Câbles complètement blindés avec connecteurs métalliques ou métallisés.
- Câbles aussi courts que possible.
- Les câbles interface ne doivent pas être emmêlés avec les câbles secteur.
- Les câbles interface ne doivent pas être passés dans les gaines électriques.

■ Description du câble RS-232C

Le câble utilisé pour relier l'imprimante à l'ordinateur hôte doit être monté suivant l'une des configurations suivantes:

NOTE: Le câble série utilisé doit avoir des connecteurs avec des vis de fixation au pas anglais (en métrique).

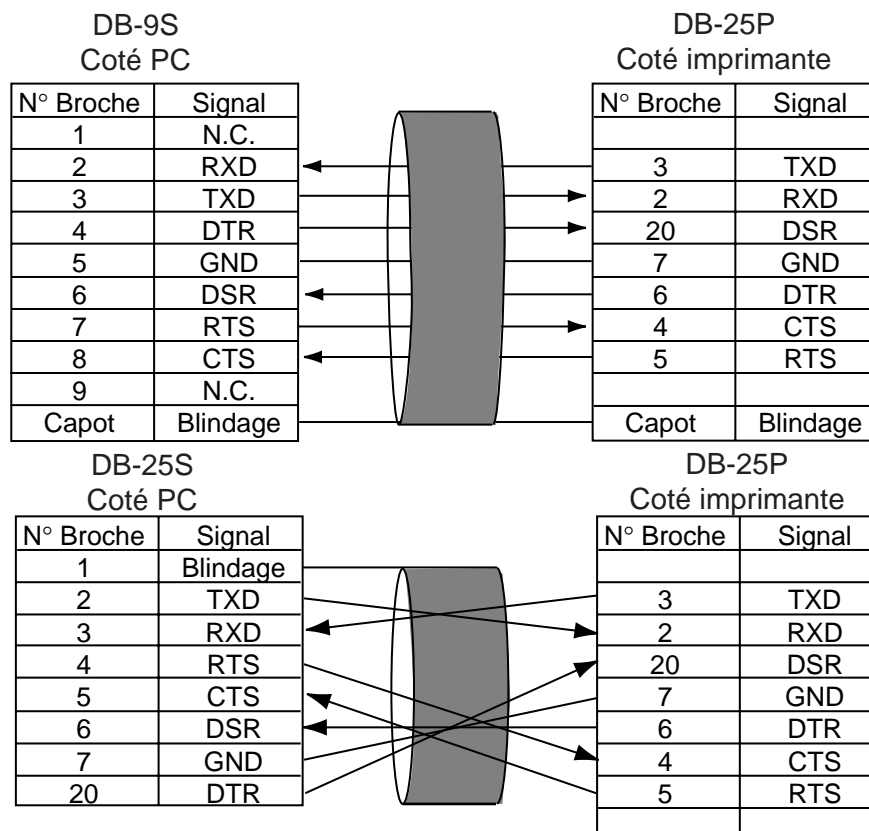


Fig. 5-1

5.2 INSTALLATION

- Placer l'imprimante sur une surface stable.
- Utiliser une prise de courant.
- Assurez-vous que l'imprimante est située dans une pièce adéquate (pour les opérations de maintenance).
- Travailler dans un environnement libre de toute électricité statique.

6. MISE EN ROUTE DE L'IMPRIMANTE

6.1 CONNEXION DU CORDON D'ALIMENTATION ET DES CABLES

ATTENTION!

Prendre soin de couper l'alimentation avant de connecter le cordon d'alimentation et les autres câbles.

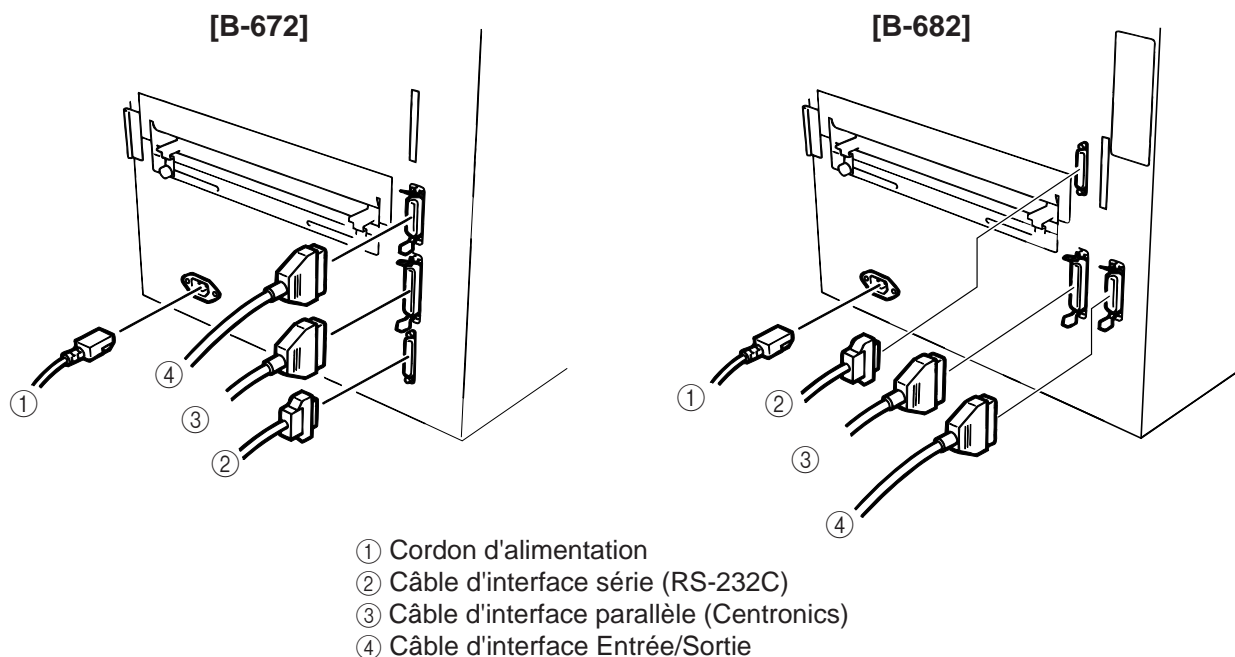


Fig. 6-1

NOTES: Plusieurs câbles ne peuvent être utilisés en même temps.

6.2 INSTALLATION DU SUPPORT-PAPIER

Placer les supports latéraux gauche et droit du support-papier sur les trous de la base du support papier et les fixer à l'aide des vis.

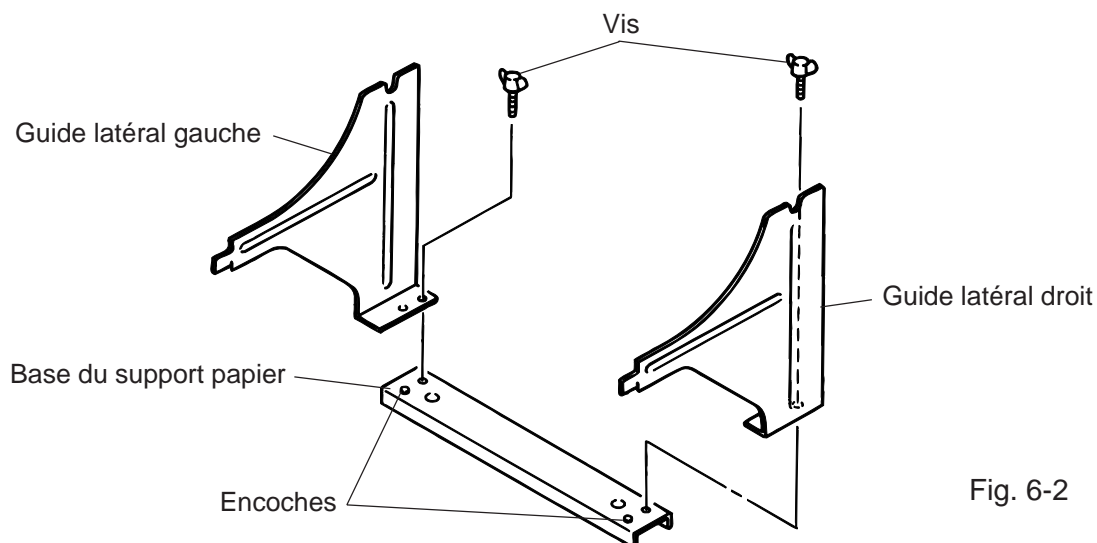


Fig. 6-2

7. CHARGEMENT DU FILM

AVERTISSEMENT!

1. *Ne pas toucher des parties mobiles. Pour réduire le risque que des doigts, la joaillerie, les vêtements, etc., seraient tirés dans les parties mobiles, pousser l'interrupteur à la "coupé" pour arrêter le mouvement.*
2. *Afin d'éviter tout dommage, éviter d'accrocher ou de coincer vos doigts lorsque vous ouvrez ou le capot.*

Il existe deux types de papier, le papier standard et le papier thermique qui réagit à la chauffe.
NE PAS METTRE DE RUBAN lors de l'utilisation du papier thermique.

1. Eteindre la machine, ouvrir le capot supérieur et la porte droite.
2. Placer le levier de tête en position "OPEN" pour débloquer la plaque de blocage de tête

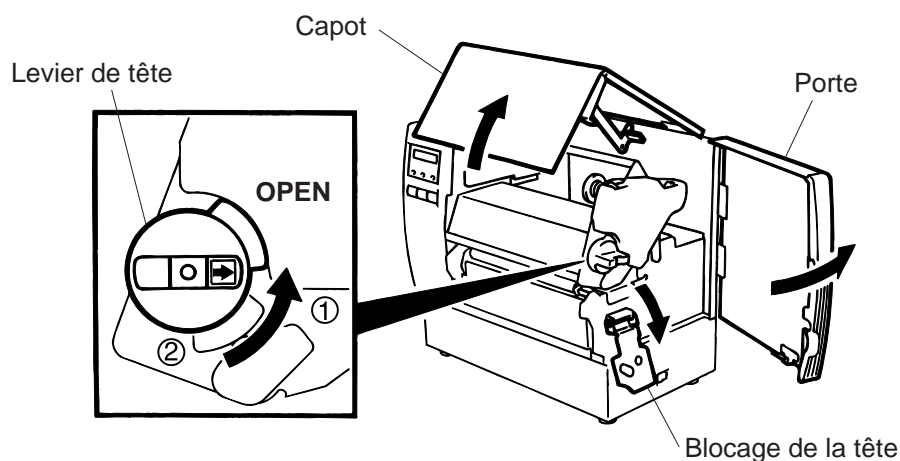


Fig. 7-1

Positionnez du Levier de Tête

- ①: Etiquettes ou papier fin
- ②: Papier épais
- OPEN: Remplacement du film ou du média

3. Dérouler un peu le ruban.
4. Placer le ruban comme indiqué sur le dessin, le ruban devant passer devant la cellule de présence ruban.

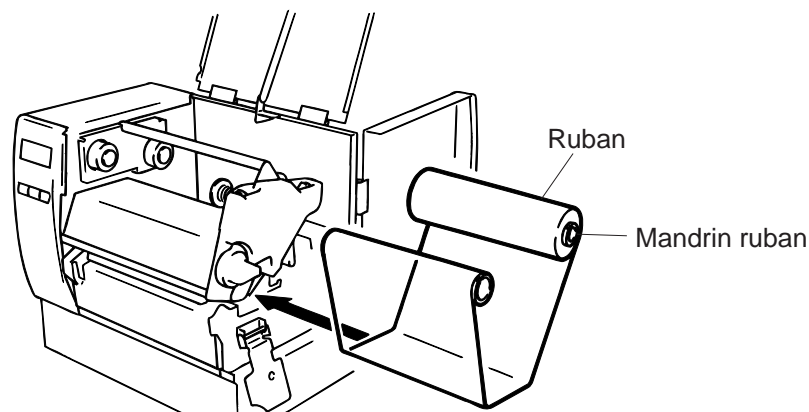


Fig. 7-2

5. Placer la bobine contre le ressort du guide ruban, côté droit, et placer l'encoche de la bobine dans la saillie du guide ruban, côté gauche.
6. Pour déplacer l'amorce du ruban, tourner ce dernier dans la direction indiquée.
7. Lorsque le papier plisse, rembobiner le à la main afin qu'il soit retendu.

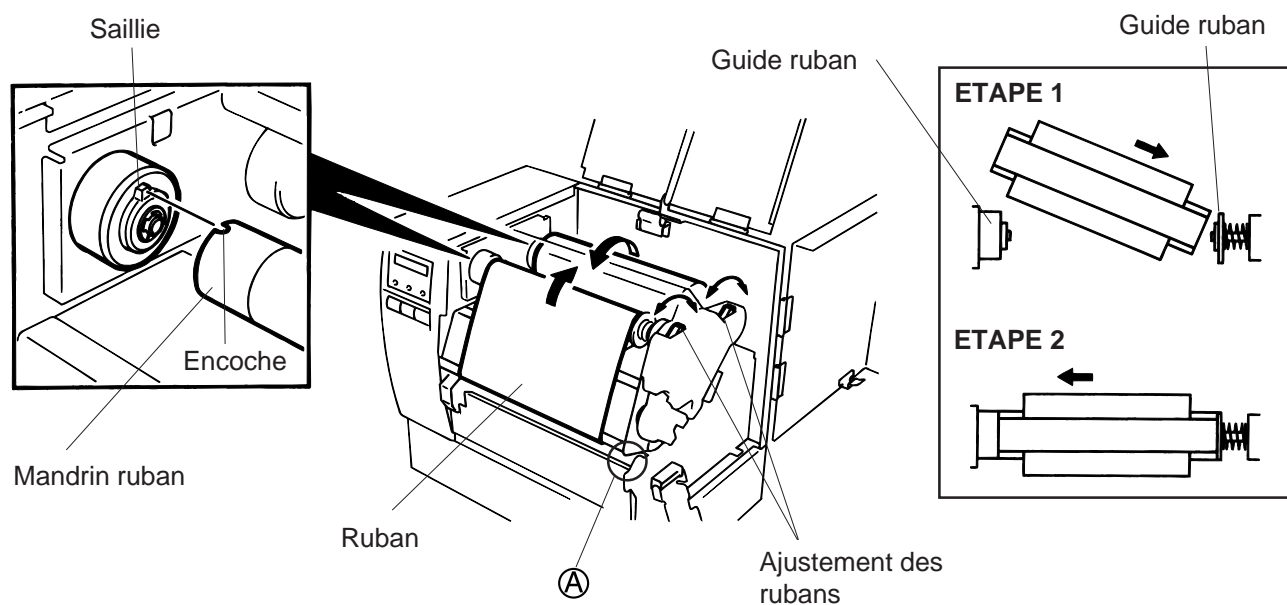


Fig. 7-3

NOTE: Lorsque vous déplacez le ruban, faites attention de ne pas l'accrocher sur la partie **A**.

8. Refermer la plaque de blocage de la tête.
9. Positionnez le levier de tête sur la position correcte, en fonction du média utilisé.
(Reportez-vous à la Fig. 7-1)
 - ①: Etiquettes ou papier fin
 - ②: Papier épais

ATTENTION: Avec des étiquettes, assurez-vous de bien positionner le levier de tête en position ①.

8. CHARGEMENT DU PAPIER

AVERTISSEMENT!

1. Ne pas toucher des parties mobiles. Pour réduire le risque que des doigts, la joaillerie, les vêtements, etc., seraient tirés dans les parties mobiles, pousser l'interrupteur à la "coupé" pour arrêter le mouvement.
2. Afin d'éviter tout dommage, éviter d'accrocher ou de coincer vos doigts lorsque vous ouvrez ou le capot.

L'imprimante peut imprimer sur des étiquettes autocollantes ou cartonnées.

1. Installer le support papier à l'arrière de l'imprimante.
2. Desserrer la vis **A** et faire glisser les guides-papier vers l'extérieur.

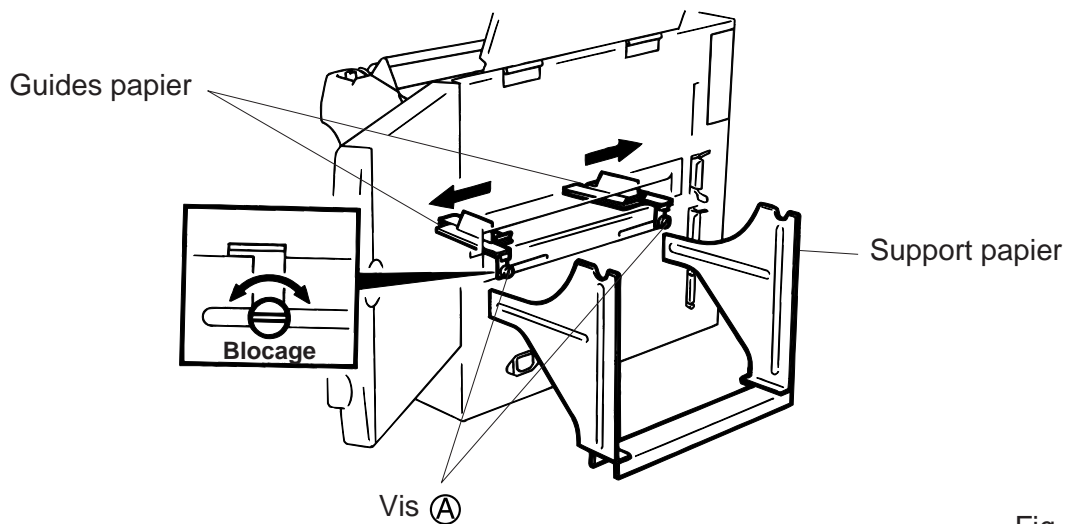


Fig. 8-1

ATTENTION:

NE PAS ENLEVER les guides papier fixés par les vis **A**.

3. Bloquer les flasques à l'aide du levier qui se trouve dessus.
4. Passer l'axe support papier à travers la bobine de papier, l'enfoncer dans les flasques puis le fixer avec le levier.

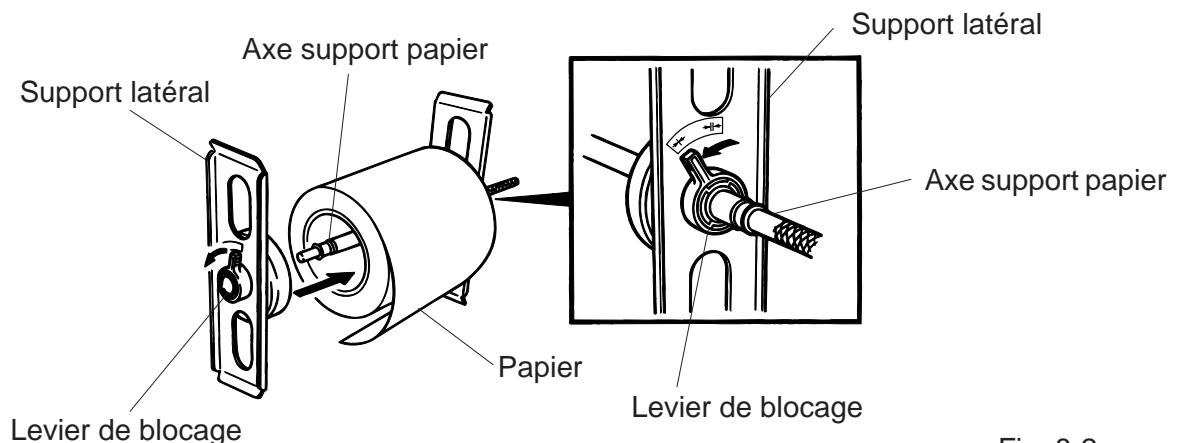


Fig. 8-2

5. Débloquer les leviers des flasques et réajuster la position du papier afin qu'il se trouve au centre, puis bloquer à nouveau les leviers. Ajuster le guide papier et le fixer à l'aide de la vis **(A)**.

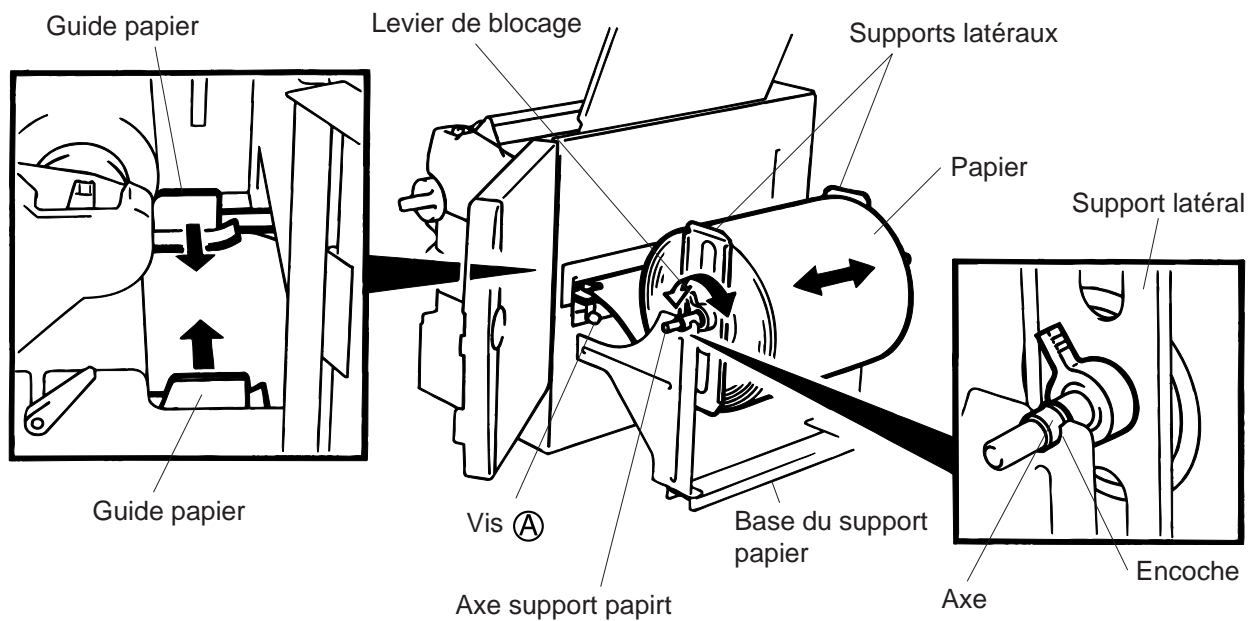


Fig. 8-3

NOTE: Placer la bague de l'axe-support dans l'encoche prévue des guides latéraux.

6. La cellule de détection de la marque noire et échenillage peut être sélectionnée en changeant la configuration du DIP switch sur la B-672. Pour la B-682, contactez votre revendeur agréé TOSHIBA TEC pour changer cette cellule dans le menu interne de l'imprimante. Lorsque les cellules fixes sont choisies, la cellule de marque noire est située au centre du papier et la cellule d'échenillage se trouve alors à 10 mm, à gauche de la cellule de marque noire. Les cellules mobiles peuvent se placer entre le bord gauche et le milieu. Après changement du type de détection, la sensibilité de la cellule doit être ajustée. Dans ce cas, appeler votre service après-vente.

7. Pour ajuster la position des cellules de détection papier, il suffit de tourner la vis:
- vers la droite, les cellules se rapprochent.
 - vers la gauche, les cellules s'éloignent.

■ Positionnement de la marque noire

- ① Sortir le papier de 500 mm et le faire passer de nouveau sous la tête d'impression jusqu'à la cellule marque noire.
- ② Ajuster la position de la cellule marque noire pour avoir votre marque au milieu de celle-ci.

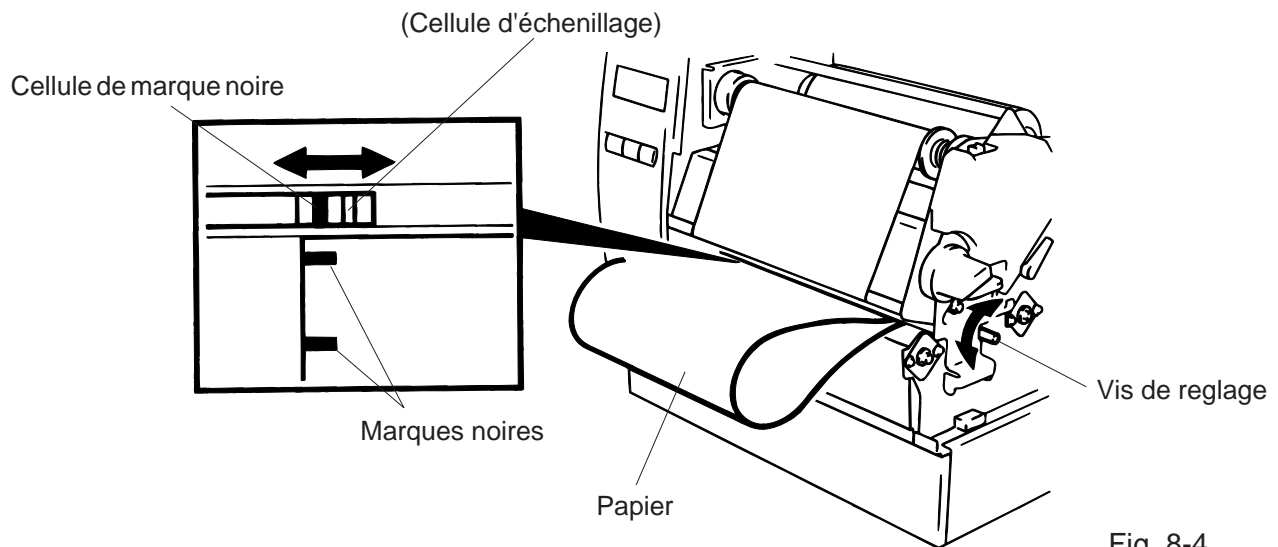


Fig. 8-4

ATTENTION:

Veiller à positionner la cellule au milieu de la marque, dans le cas contraire, des problèmes de détection papier risquent d'apparaître.

■ Positionnement de la cellule d'échenillage

Ajuster la position de la cellule afin de détecter l'échenillage.

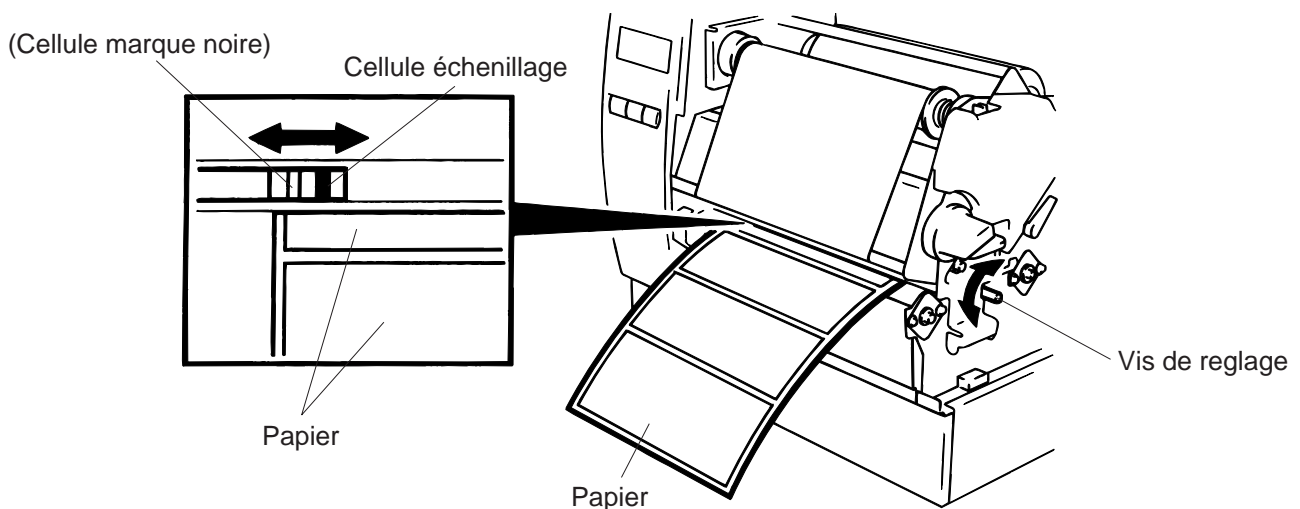


Fig. 8-5

8. Les opérations de chargement du papier et du réglage des cellules sont terminées.
Impression par lot:

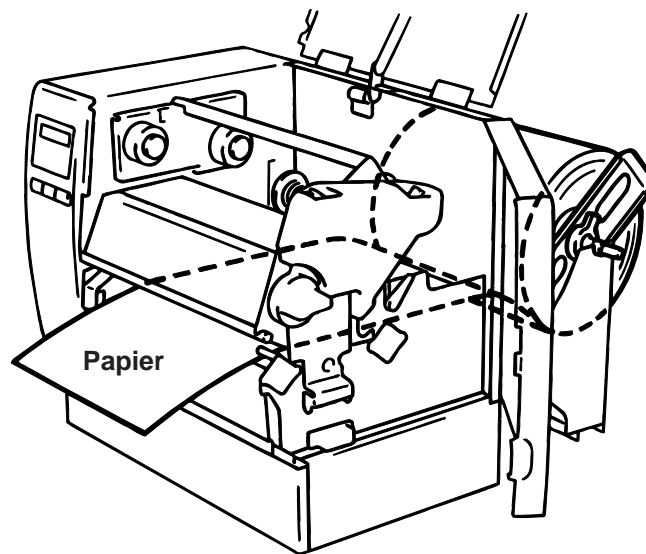


Fig. 8-6

Coupe: Lorsque le cutter est installé, le papier passe par à travers celui-ci.

- NOTES:**
1. Couper des étiquettes adhésives risque de mettre de la colle sur le couteau, ce qui peut affecter la durée de vie du cutter ainsi que sa qualité.
 2. Pour la B-672, en mode massicot, si une étiquette se trouve entre la lame du massicot et le platten, mettre le DIP switch 1-5 sur ON. Pour la B-682, contactez votre revendeur agréé TOSHIBA TEC pour changer cette fonction dans le menu interne de l'imprimante.
 3. Utiliser des étiquettes trop épaisses peut affecter la durée de vie du cutter.

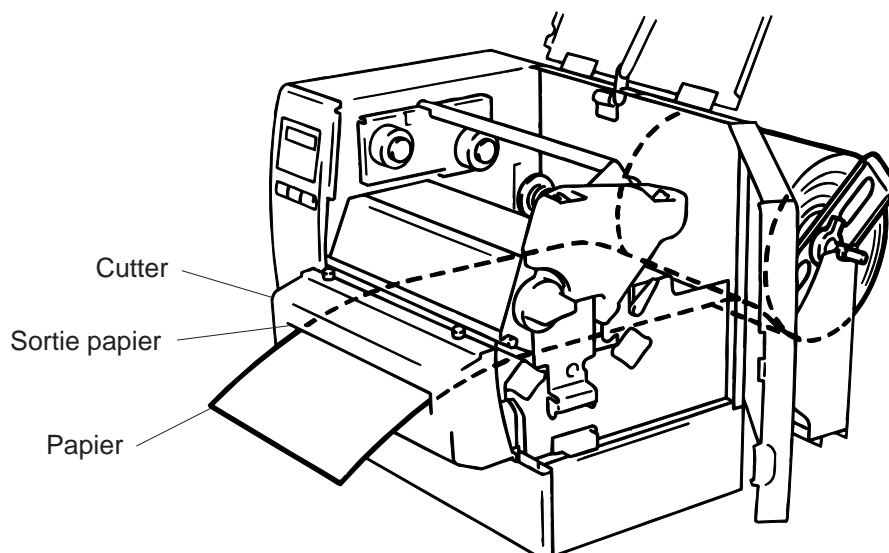


Fig. 8-7

Pré-décollage

- ① Enlever des étiquettes du support siliconé sur 200 mm à partir du début du papier
- ② Abaisser la barre de dégagement du papier siliconné
- ③ Passer le papier siliconné entre le rouleau de décollage et le support du papier siliconné. Après avoir retendu le papier placer la barre de dégagement à sa position

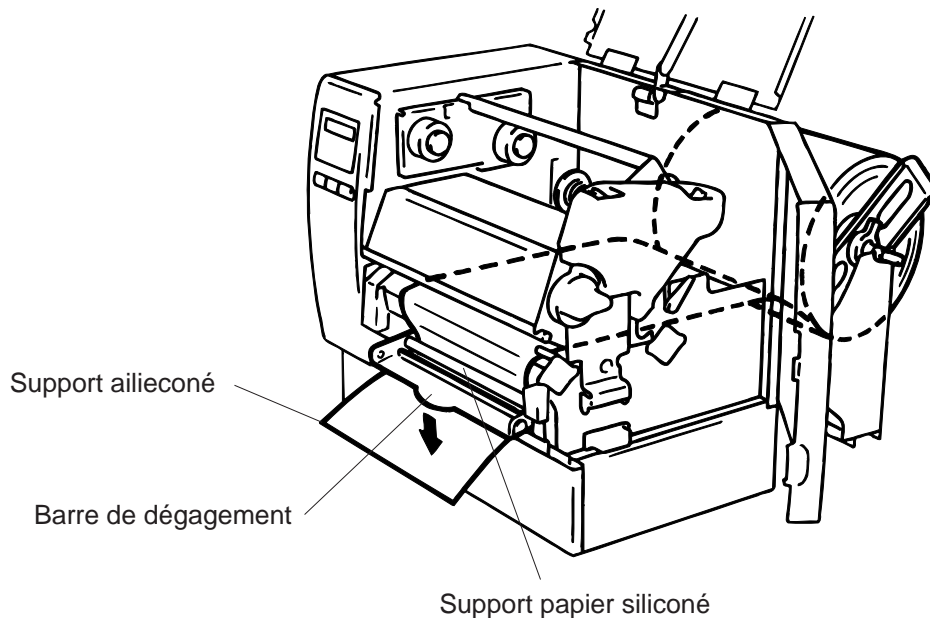


Fig. 8-8

9. Positionnez le levier de tête sur la position correcte, en fonction du média utilisé.
(Reportez-vous à la Fig. 7-1)
 - ①: Etiquettes ou papier fin
 - ②: Papier épais

ATTENTION: Avec des étiquettes, assurez-vous de bien positionner le levier de tête en position ①.

10. Fermer le capot supérieur et le capot côté droit.

9. INSTALLATION DE LA CARTE MEMOIRE FLASH (OPTION) (B-672 seulement)

ATTENTION!

Prendre soin de couper l'alimentation avant d'insérer ou déplacer la carte mémoire flash.

PRECAUTION:

Pour protéger la carte mémoire, veuillez d'abord toucher le capot de l'imprimante avant de toucher à celle-ci.

1. Mettre l'appareil hors tension.
2. Insérer la carte mémoire dans le connecteur situé à l'arrière de l'imprimante afin d'y charger vos données (Logos, fond de pages...).
3. Mettre l'appareil sous tension.

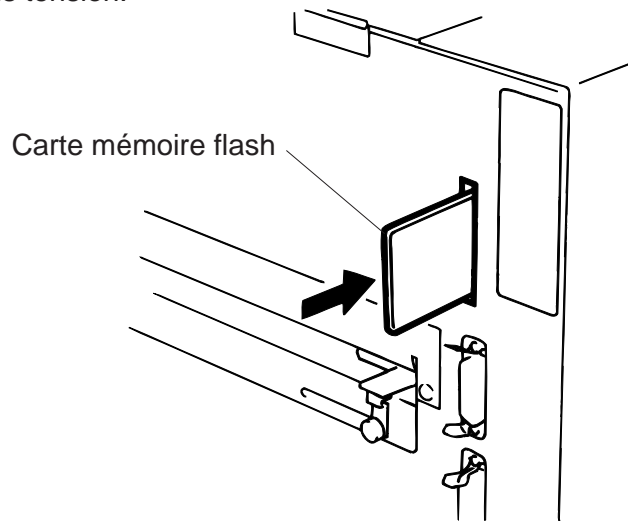


Fig. 9-1

- NOTES:**
1. Prendre soin de protéger la carte mémoire en la rangeant dans son étui protecteur.
 2. Ne pas soumettre la carte mémoire à des chocs ou à des forces excessives.
 3. Ne pas laisser la carte mémoire à la chaleur, comme en plein soleil ou près d'un radiateur.
 4. Ne pas exposer la carte mémoire à de l'humidité excessive en l'essuyant avec un chiffon mouillé ou en la laissant dans un endroit humide.
 5. Avant de mettre ou d'enlever la carte mémoire, vérifier que l'appareil est hors tension.
 6. Les cartes Flash suivantes peuvent être utilisées (les cartes 1 Mo en lecture seule, les cartes 4 Mo en lecture/écriture.)

Capacité	Fabricant	Type	Code produit	Code fabricant
1M Byte	Maxell	EF-1M-TB AA	D0H	1CH
	Mitsubishi	MF81M1-GBDAT01		
4M Byte	Maxell	EF-4M-TB CC	88H	B0H
	Maxell	EF-4M-TB DC	ADH	04H
	Centennial Technologies INC.	FL04M-15-11119-03		01H
	INTEL	IMC004FLSA	A2H	89H
	Simple TECHNOLOGY	STI-FL/4A		
	Mitsubishi	MF84M1-G7DAT01		
	PC Card KING MAX	FJN-004M6C		
	PC Card	FJP-004M6R	A0H	89H

10. INSTALLATION DE LA CARTE PCMCIA (OPTION) (B-682 Seulement)

ATTENTION:

Mettez l'imprimante hors tension avant d'enficher ou de retirer une carte PCMCIA.

PRECAUTION:

Pour protéger les cartes PCMCIA, déchargez votre électricité statique en touchant une partie métallique de l'imprimante avant de manipuler les cartes.

1. Mettre l'appareil hors tension.
2. Enfichez la carte dans le port PCMCIA à l'arrière de l'imprimante.
3. Mettre l'appareil sous tension.

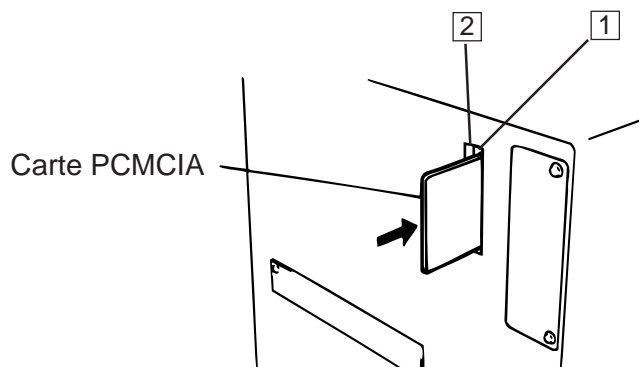


Fig. 10-1

- PRECAUTIONS:**
1. Lorsqu'elle n'est pas utilisée, protégez la carte PCMCIA en la rangeant dans son étui de protection.
 2. Ne pas soumettre la carte mémoire à des chocs ou à des forces excessives.
 3. Ne pas laisser la carte mémoire à la chaleur, comme en plein soleil ou près d'un radiateur.
 4. Ne pas exposer la carte mémoire à de l'humidité excessive en l'essuyant avec un chiffon mouillé ou en la laissant dans un endroit humide.
 5. Avant de mettre ou d'enlever la carte mémoire, vérifier que l'appareil est hors tension.
 6. Les modèles de cartes PCMCIA suivants peuvent être utilisés.

Type	Fabricant	Description	Remarques
Carte ATA		Carte conforme à une carte PC ATA standard	_____
Carte LAN	3 COM	Ether Link 3C589D PC card	Installer dans le slot (2) seulement. (Si la carte a été installée dans le slot (1) cela ne fonctionnera pas)
Carte mémoire Flash (4 MB)	Maxell	EF-4M-TB <input type="checkbox"/> CC EF-4M-TB <input type="checkbox"/> DC	_____

7. Enfichez la carte Réseau LAN dans l'emplacement (2).

11. PRECAUTIONS DE STOCKAGE DES CONSOMMABLES

Utiliser uniquement des fournitures aux recommandations TOSHIBA TEC.

La raison de ces spécifications est d'assurer une bonne qualité d'impression, durée de vie de la tête et de produire des codes à barre lisibles. L'utilisation de fournitures hors normes peut réduire la durée de vie de la tête et provoquer de mauvaises impressions.

Toutes les fournitures doivent être stockées avec précaution afin d'éviter de les détériorer ou d'endommager l'imprimante.

Les indications suivantes pourront vous aider;

- Ne pas stocker les fournitures plus longtemps que recommandé.
- Stocker les consommables sur le côté du rouleau, le stockage côté bobine peut entraîner un plat qui provoquerait une mauvaise avance du papier et de mauvaises impressions.
- Enfermer les consommables dans des sacs en plastique clos.
Les fournitures non protégées peuvent prendre la poussière, ce qui risquerait de détériorer la tête d'impression.
- Stocker les consommables dans un lieu sec et tempéré.
Eviter de les exposer aux rayons directs du soleil, à une haute température, humidité, poussière ou gaz.
- Les caractéristiques du papier thermique, utilisé lors d'impressions thermiques directs ne doivent pas excéder "Na +800 ppm, K +250 ppm, CL-500 ppm".
- Certaines encres utilisées sur les étiquettes pré-imprimées peuvent contenir des composants risquant de raccourcir la durée de vie de la tête d'impression.
Ne pas utiliser d'étiquettes pré-imprimées avec une encre contenant des substances dures comme le "carbonic calcium" (CaCO_3) et le Kaolin ($\text{Al}_2\text{O}_3, 2\text{SiO}_2, 2\text{H}_2\text{O}$).

Pour plus d'informations, contacter votre distributeur ou fabricant de consommable.

12. MAINTENANCE

AVERTISSEMENT!

1. Attention, lorsque vous ouvrez le bloc d'impression, celui-ci peut être chaud.
2. Faire attention au couteau de l'imprimante.
3. Ne pas toucher des parties mobiles. Pour réduire le risque que des doigts, la joaillerie, les vêtements, etc., seraient tirés dans les parties mobiles, pousser l'interrupteur à la "coupé" pour arrêter le mouvement.
4. Afin d'éviter tout dommage, éviter d'accrocher ou de coincer vos doigts lorsque vous ouvrez ou le capot.

12.1 NETTOYAGE

ATTENTION!

1. Mettre l'imprimante hors tension avant toute manipulation.
2. Prendre soin de ne pas endommager la tête d'impression lors du nettoyage.
3. NE PAS VAPORISER DE LIQUIDE sur l'imprimante.

Si la tête est encrassée, l'impression ne sera pas nette. Nous vous recommandons de nettoyer la tête avec le nettoyeur de tête thermique avant de mettre un nouveau ruban ou un nouveau rouleau de papier.

1. Mettre l'imprimante hors tension.
2. Ouvrir le capot supérieur et le capot côté droit.
3. Lever la tête d'impression à l'aide de son levier.
4. Enlever le papier et le ruban s'il y a lieu.
5. Nettoyer la tête d'impression à l'aide du nettoyeur de tête thermique fourni.
6. Nettoyer le rouleau d'impression avec de l'alcool, retirer les résidus de papier si nécessaire.

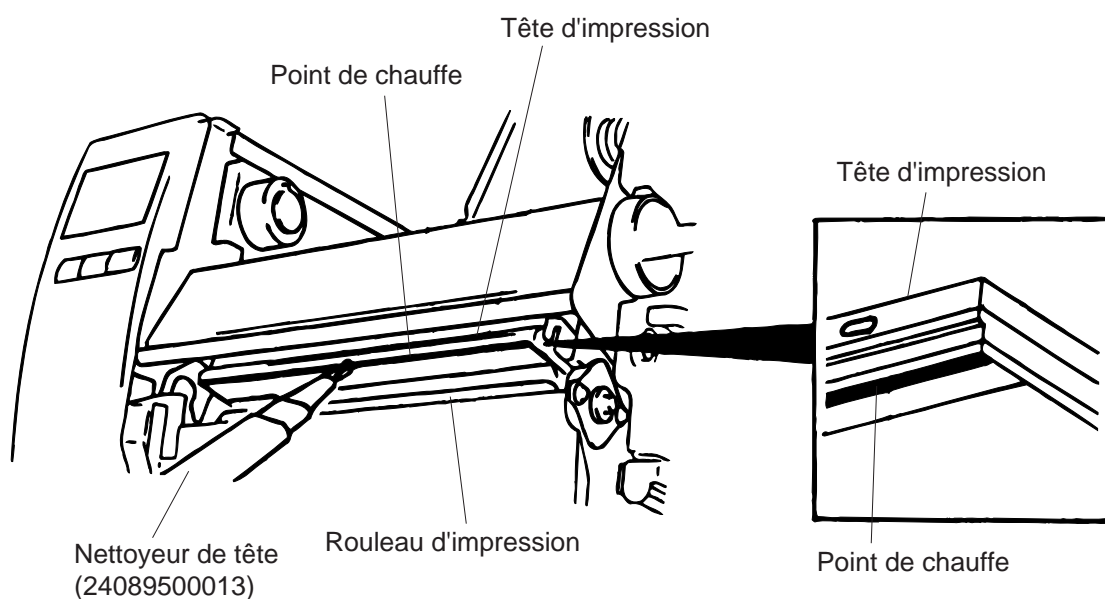


Fig. 12-1

7. Tourner le levier du galet d'entraînement pour le lever.
8. Dévisser la vis blanche et détacher le guide papier.

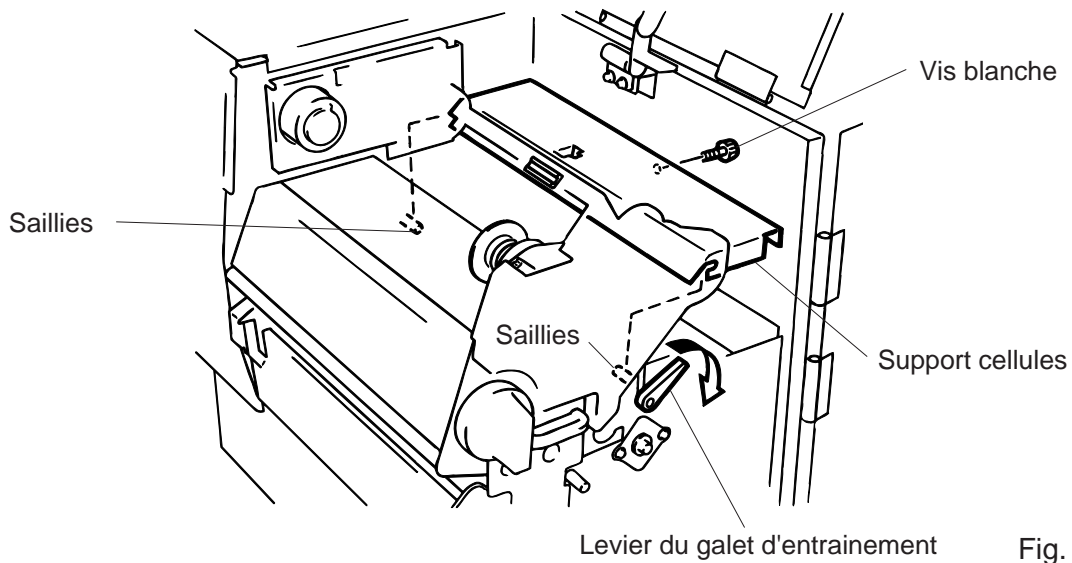


Fig. 12-2

NOTE: Lorsque vous installez le guide papier, assurez vous que les saillies sont bien enclenchées dans l'encoche du guide papier.

9. Retirer l'ensemble des galets d'impression, les nettoyer avec de l'alcool.

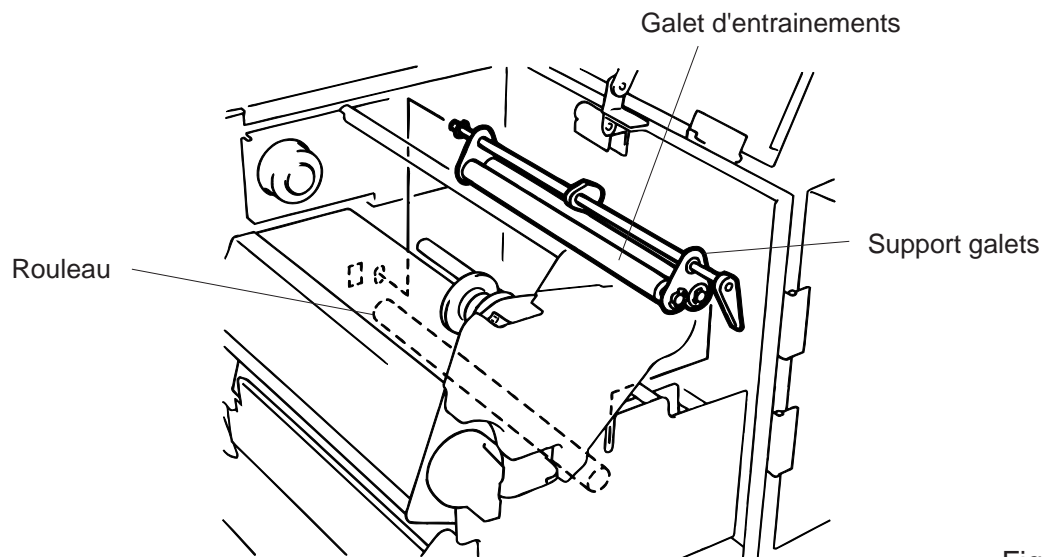


Fig. 12-3

10. Remonter dans l'ordre inverse.

12.2 ELIMINATION DES FOURNITURES COINCEES

1. Retirer les guides papier.

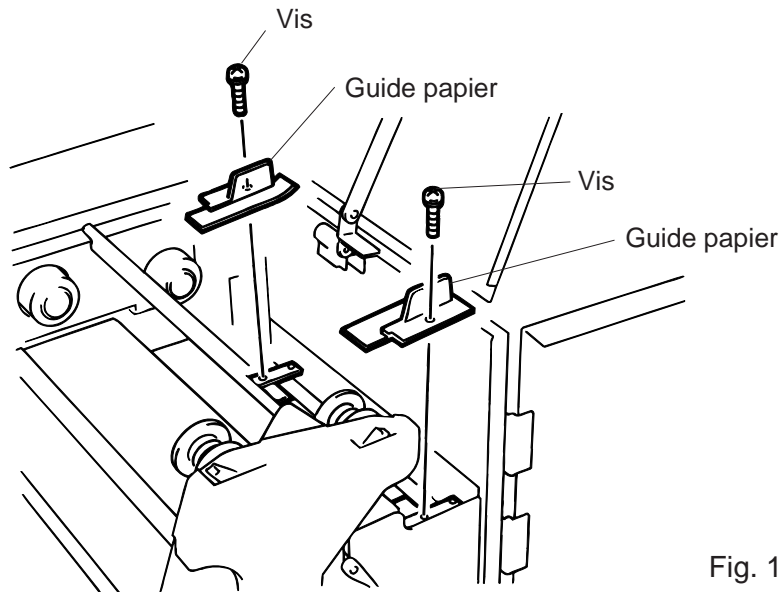


Fig. 12-4

2. Enlever le papier coincé.
3. Nettoyer les guides papier de la poussière et de la colle avec un chiffon imprégné d'alcool.
4. Remonter les guides papier.

NOTE: Eviter de perdre les vis.

12.3 CAPOTS ET PANNEAUX

Les capots doivent être nettoyés à l'aide d'un chiffon sec ou imprégné d'une solution adaptée.

NOTE : Utiliser des produits prévus pour l'électricité statique.

ATTENTION!

1. NE PAS VAPORISER DE LIQUIDE directement sur l'imprimante.
2. NE PAS UTILISER de détergent.
3. NE JAMAIS utiliser de solvants.

12.4 POUR ENLEVER LE PAPIER COINCE

1. Mettre l'imprimante hors tension.
2. Ouvrir le capot supérieur et le capot côté droit.
3. Tourner le levier de tête en position "OPEN" ce qui délivre la plaque des supports ruban.
4. Enlever la vis blanche, déconnecter le connecteur de la plaque support papier et détacher cette dernière.
5. Enlever le papier et le ruban.
6. Enlever le papier coincé. **NE PAS UTILISER** d'outils qui pourraient endommager l'imprimante.
7. Nettoyer la tête d'impression et la plaque des poussières et autres substances qui s'y trouvent.
8. Insérer le morceau **Ⓑ** de la plaque dans le détecteur papier. Fixer la plaque à l'aide de la vis blanche.

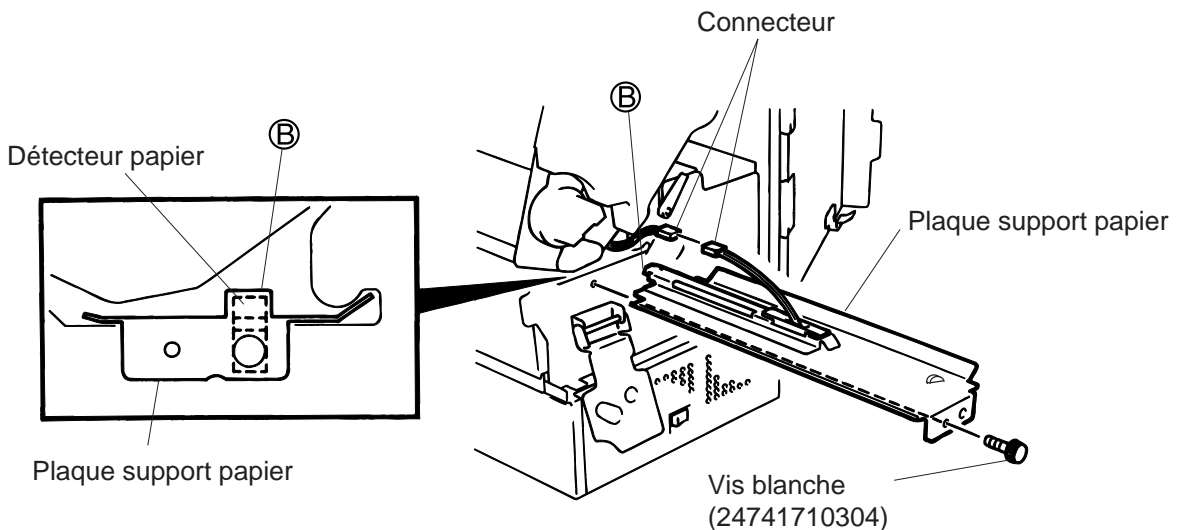


Fig. 12-5

9. Le bouchage dans le couteau peut être provoqué par l'usure de la lame ou par la présence de colle. Ne pas utiliser de papiers non recommandés. Si le bouchage se produit trop souvent, contacter votre distributeur TOSHIBA TEC.

■ Nettoyage du couteau

ATTENTION!

1. Vérifier que l'imprimante est hors tension.
2. Faire attention en nettoyant le couteau.

1. Dévisser les deux vis pour sortir le capot du couteau.
2. Retirer la vis blanche et le guide papier.
3. Enlever le papier coincé.
4. Nettoyer la lame à l'aide d'un chiffon doux.

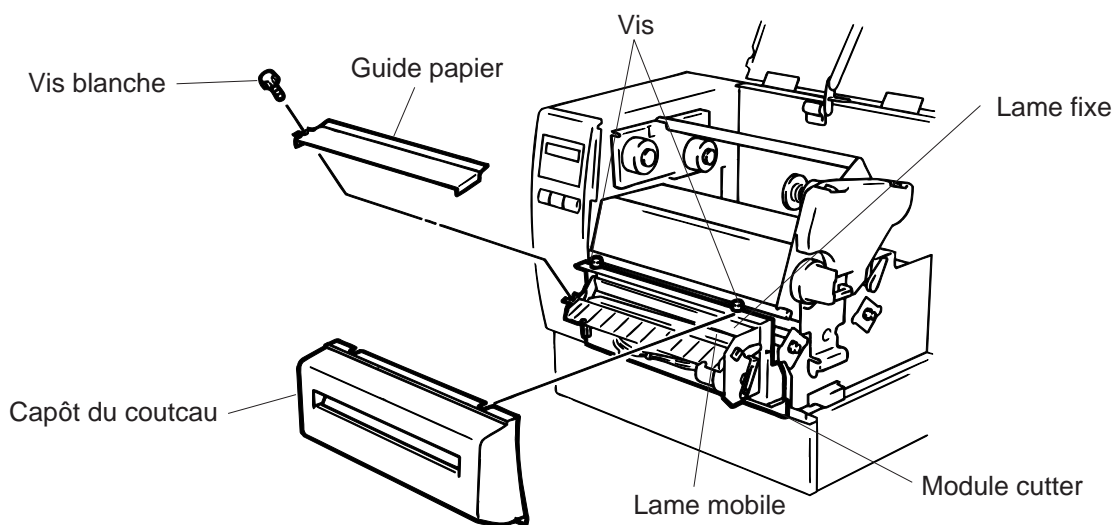


Fig. 12-7

5. Remonter dans l'ordre inverse.

■ Nettoyage du pré-décolleur

ATTENTION!

Assurez vous que l'imprimante est hors tension avant de nettoyer la barre.

1. Abaisser la barre de dégagement afin d'enlever le papier coincé.
2. Nettoyer la barre et le support du papier siliconé avec de l'alcool éthylique.

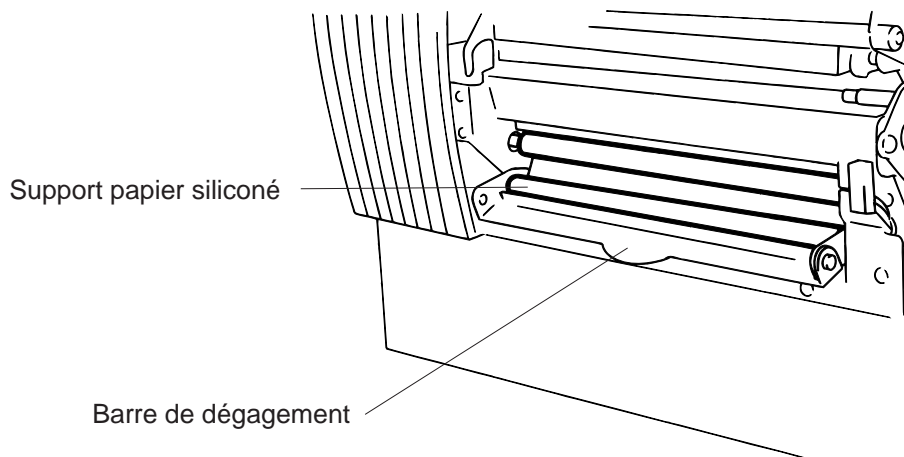
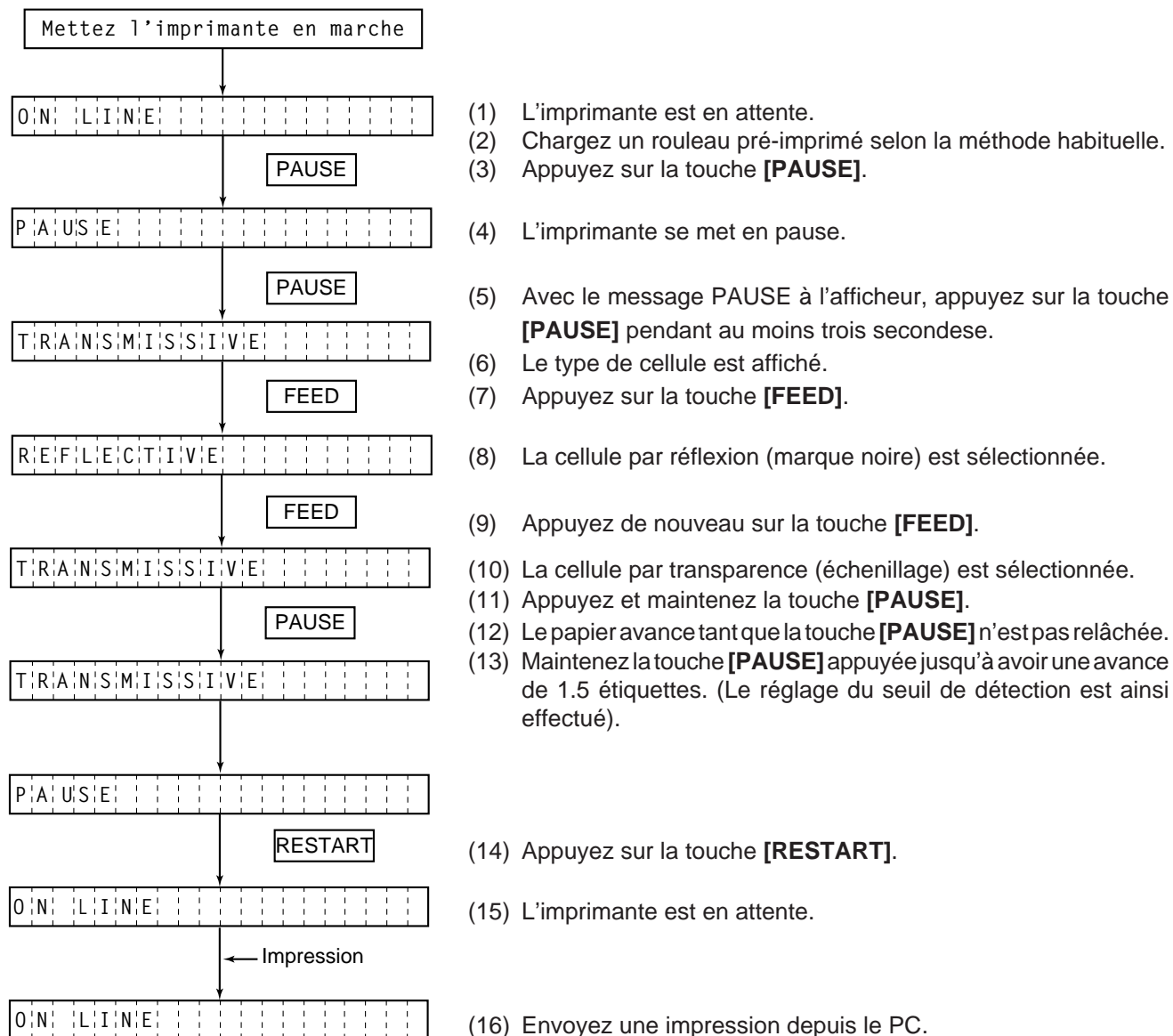


Fig. 12-8

12.5 REGLER LA DETECTION DES ETIQUETTES PRE-IMPRIMEES

Pour imprimer les étiquettes à une position constante, une cellule de transparence est utilisée pour détecter l'échenillage entre deux étiquettes ceci de façon automatique. Lors de l'utilisation d'un papier pré-imprimé, la cellule peut être trompée par les impressions sur le papier. Dans ce cas, effectuer une analyse de détection du papier par l'imprimante en utilisant le panneau de contrôle.

■ Méthode D'analyse



NOTES:

1. Si la touche **[PAUSE]** n'est pas appuyée pendant plus de 3 secondes, l'analyse n'est pas bonne.
2. Si la touche **[PAUSE]** est relâchée avant que les 2 étiquettes ne soient sorties, l'analyse n'est pas bonne. Dans ce cas, répétez l'opération.
3. Tant que la tête est levée, la touche **[PAUSE]** n'a aucun effet.
4. Les erreurs Fin de Papier et Erreur massicot ne sont pas détectées durant l'analyse.
5. La sélection de la cellule par transparence 2 pour l'avance d'étiquette ou l'impression assurent une bonne détection de la position du début d'impression, même pour des étiquettes pré-imprimées.
6. Si malgré ces réglages le papier n'est pas correctement positionné, Il faut ajuster le contraste dans la cellule dans le menu système. Après, refaites une analyse. Assurez vous que la cellule échenillage 2 est bien sélectionnée par les commandes d'impression.

13. DEPISTAGE DES PANNES

ATTENTION!

Notre premier souci est de vous donner entière satisfaction et un meilleur service. S'il y avait, malgré tout, un problème de fonctionnement de cette imprimante, veuillez vérifier les points suivants avant de faire appel au service après-vente. Ces messages apparaissent sur l'afficheur du panneau de contrôle.

Message	Problème	Solution
BOURRAGE PAPIER ****	<ol style="list-style-type: none"> 1. Le papier n'est pas placé correctement. 2. Le papier bourre dans l'imprimante et ne sort pas librement. 3. Le papier en place ne correspond pas au choix de la cellule. 4. La position de la cellule marque noire n'est pas bonne. 5. La taille du papier est différente de celle indiquée par le logiciel. 6. La cellule ne détecte pas de zone pré-imprimée par rapport à l'échenillage. 	<ol style="list-style-type: none"> 1. Replacer le papier. → Appuyer sur la touche RESTART. 2. Enlever le papier qui bourre et le replacer correctement. → Appuyer sur la touche RESTART. 3. Mettre l'imprimante hors tension et la rallumer; sélectionner la bonne cellule suivant le papier. → Appuyer sur FEED. 4. Placer le papier correctement. → Appuyer sur la touche RESTART. 5. Mettre l'imprimante hors tension et l'allumer, indiquer la taille du papier. → Appuyer sur FEED. 6. Fixer l'analyse du papier selon le point 12-6. Mettre l'imprimante hors tension et contacter votre service après vente TOSHIBA TEC.
TETE OUVERTE ****	L'imprimante essaie de sortir une étiquette alors que la tête d'impression est levée ou que le levier du galet d'entraînement est en position ouverte.	Refermer la tête d'impression. → Appuyer sur la touche RESTART .
FIN DE PAPIER ****	Il n'y a plus de papier.	Mettre un nouveau rouleau en place. → Appuyer sur la touche RESTART .
FIN DE RUBAN	Il n'y a plus de ruban.	Mettre un nouveau ruban en place. → Appuyer sur la touche RESTART .

Message	Problème	Solution
TETE TROP CHAUDE	La tête d'impression est trop chaude.	Mettre l'imprimante hors tension et attendre que la tête refroidisse.
ERREUR TETE	Il y a des éléments de la tête thermique qui sont détruits.	1. Relancer l'impression en pressant sur RESTART . 2. Changer la tête. Appeler votre service après vente TOSHIBA TEC.
ERREUR DE RUBAN ****	Il y a un problème avec le mécanisme de ruban.	Mettre l'imprimante hors tension et appeler votre service après vente TOSHIBA TEC.
PROBLEME CUTTER ****	Il y a un bouchage dans le système de coupe.	Enlever le papier qui bourre et remettre le papier correctement. → Appuyer sur RESTART . Mettre l'imprimante hors tension et appeler votre service après vente TOSHIBA TEC.
ERREUR MEM FLASH	Il y a eu une erreur pendant l'écriture dans la carte mémoire FLASH ou la carte ATA.	1. Mettre l'imprimante hors tension et réinsérer la carte. 2. Changer de carte mémoire. 3. Mettre l'imprimante hors tension et contacter votre service après vente TOSHIBA TEC.
ERREUR DE FORMAT	Il y a eu une erreur pendant le formatage de la carte mémoire FLASH ou la carte ATA.	1. Mettre l'imprimante hors tension et réinsérer la carte. 2. Changer de carte mémoire. 3. Mettre l'imprimante hors tension et contacter votre service après vente TOSHIBA TEC.
MEM INSUFFISANTE	Il n'y a pas assez de place dans la carte mémoire FLASH ou la carte ATA.	Remplacez la carte avec une nouvelle. Renvoyez les données depuis le début. (Pour la carte mémoire FLASH, seules les cartes 1MB et 4MB sont utilisables. B-682: 4 MB seulement)
ERREUR COMMUNICATION	Une erreur est intervenue pendant la transmission série (RS-232C).	Mettre l'imprimante hors tension. Tester à nouveau ou appuyer sur la touche RESTART . → Appeler votre service après vente TOSHIBA TEC si nécessaire

Message	Problème	Solution
Exemple) PC001;0A00, T Erreur de syntaxe 0300, 2, 2	Lors d'une erreur de syntaxe, l'afficheur vous indique la ligne en cause sur 20 caractères.	Corriger votre application.
Autres messages	Problèmes internes.	Mettre l'imprimante hors tension puis rallumer. Si le message n'a pas disparu, appeler votre service après vente TOSHIBA TEC.
<p>NOTE: Si votre erreur n'est pas annulée par l'appui de la touche RESTART, mettre l'imprimante hors tension et rallumer. Dans ce cas, les données transmises sont perdues. **** Signifie le nombre d'impression restant à effectuer.</p>		

Problème	Solution
Pas d'impression.	<ol style="list-style-type: none"> Vérifier si le papier ou le ruban est chargé correctement. Vérifier si le bloc de tête est positionné correctement. Vérifier si le câble d'interface est raccordé correctement.
Des points n'apparaissent pas à l'impression.	<p>Certains points de la tête sont défectueux. → Nettoyer la tête d'impression. Appeler le service après vente TOSHIBA TEC si nécessaire.</p>
Impression pas nette (ou floue).	<ol style="list-style-type: none"> Tête d'impression encrassée. → Nettoyer la tête d'impression. Ruban défectueux. → Mettre un nouveau ruban. Mauvais type de papier pour l'impression. → Changer de type de papier.
L'imprimante ne se met pas sous tension.	<ol style="list-style-type: none"> Brancher la fiche d'alimentation à fond sur la prise secteur. Vérifier le coupe circuit. Vérifier si la prise secteur est alimentée. (Vérifier à l'aide d'un autre appareil électrique.) Appeler le service après vente TOSHIBA TEC si nécessaire.
Pas d'action du couteau.	Vérifier si l'imprimante est sous tension.
Le bord de découpe du papier n'est pas net.	<ol style="list-style-type: none"> Nettoyer les lames. Les lames sont usées. → Appeler le service après vente TOSHIBA TEC.

TEC

TEC Thermo-/Thermotransfer-Drucker

B-670/680 SERIES

Bedienungsanleitung

Zusammenfassung sicherheitsregeln

Sicherheit bei der Bedienung sowie bei Wartungsarbeiten am Geräte hat oberste Priorität. Notwendige Vorsichts- und Warnhinweise für eine sichere Handhabung sind in diesem Handbuch enthalten. All Vorsichts- bzw. Warnhinweise in diesem Handbuch sollten vor einer Bedienung oder Wartung sorgfältig gelesen und befolgt werden.

Versuchen Sie nicht selber den Drucker zu reparieren oder zu modifizieren. Wenn ein Fehler auftritt und dieser nicht durch die in diesem Handbuch beschriebenen Maßnahmen behoben werden kann, schalten Sie das Gerät aus, ziehen Sie den Stecker und verständigen Sie Ihren TOSHIBA TEC Vertragshändler.

Bedeutung der Symbole



Dieses Symbol weist auf Gefahren hin (einschließlich Warnungen). Einzelne Warnungsinhalte werden innerhalb des \triangle Symbols dargestellt. (Das linke Symbol bedeutet eine allgemeine Warnung.)



Dieses Symbol weist auf verbotene Aktionen hin (verbotene Punkte). Einzelne Verbotsinhalte werden innerhalb oder in der Nähe des \circ Symbols dargestellt. (Das linke Symbol bedeutet ein "Zerlegungsverbot".)



Dieses Symbol weist auf durchzuführende Aktionen hin. Einzelne Anweisungen werden innerhalb des \bullet Symbols dargestellt. (Das linke Symbol bedeutet "Netzstecker von Netzsteckdose abziehen".)

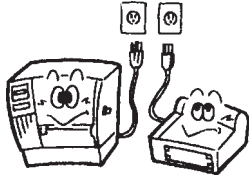


WARNUNG

Weist darauf hin, daß bei unsachgemäßer Handhabung der Maschinen und Mißachtung dieses Hinweises **Lebensgefahr** oder die Gefahr **schwerer Körperverletzungen** besteht.



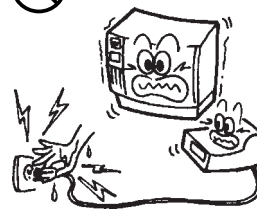
Jede andere als die vorgeschriebene Netzspannung (AV) ist verboten.



■ Benutzen Sie keine anderen Spannungen als die auf dem Typenschild angegebene Netzspannung (AC), weil sonst **Feuer** oder **elektrische Schläge** verursacht werden können.



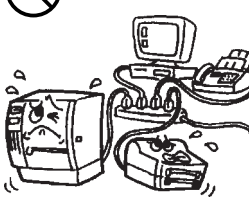
Verboten



■ Unterlassen Sie das Einstecken oder Abziehen des Netzsteckers mit nassen Händen, weil dies zu **elektrischen Schlägen** führen kann.



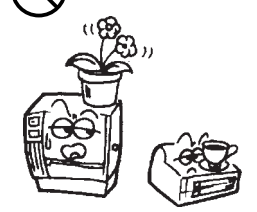
Verboten



■ Falls die Maschinen dieselbe Stromquelle mit irgendwelchen anderen Elektrogeräten teilen, die einen hohen Stromverbrauch haben, kann es zu Spannungsschwankungen kommen, wenn diese Geräte in Betrieb genommen werden. Schließen Sie die Maschinen unbedingt an eine eigene Stromquelle an, da es anderenfalls zu **Störungen** der Maschinen kommen kann.



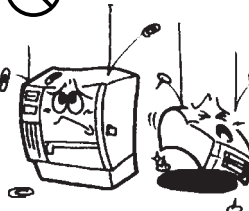
Verboten



■ Stellen Sie keine Metallgegenstände oder mit Wasser gefüllte Behälter, wie z.B. Blumenvasen, Blumentöpfe, Becher usw., auf die Maschinen. Falls Metallgegenstände oder verschüttete Flüssigkeiten in die Maschinen gelangen, besteht die Gefahr von **Feuer** oder **elektrischen Schlägen**.



Verboten



■ Achten Sie darauf, daß keine Metallgegenstände, brennbare Materialien oder sonstige Fremdkörper durch die Ventilationsöffnungen in die Maschinen gesteckt oder fallengelassen werden, weil dadurch **Feuer** oder **elektrische Schläge** verursacht werden können.



Verboten



■ Die Netzkabel dürfen nicht verkratzt, beschädigt oder verändert werden. Außerdem dürfen sie nicht durch schwere Gegenstände belastet, gezogen oder geknickt werden, weil dadurch **Feuer** oder **elektrische Schläge** verursacht werden können.



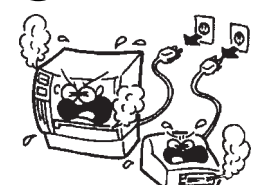
Netzstecker abziehen.




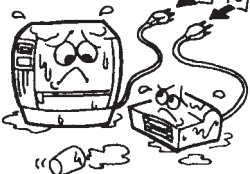

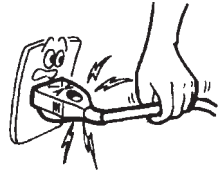

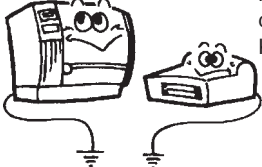

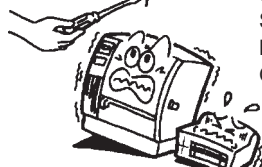
■ Falls die Maschinen fallengelassen werden oder ihre Gehäuse beschädigt werden, schalten Sie zuerst die Netzschalter aus, und ziehen Sie die Netzstecker von den Steckdosen ab, bevor Sie sich an Ihren örtlichen TOSHIBA TEC Fachhändler wenden. Fortgesetzter Betrieb der Maschine unter dieser Bedingung kann zu **Feuer** oder **elektrischen Schlägen** führen.



Netzstecker abziehen.



■ Fortgesetzter Betrieb der Maschinen unter abnormen Bedingungen, z.B. wenn die Maschinen Rauch oder ungewöhnliche Gerüche erzeugen, kann zu **Feuer** oder **elektrischen Schlägen** führen. In solchen Fällen sind sofort die Netzschalter auszuschalten und die Netzstecker von den Steckdosen abziehen. Wenden Sie sich dann an Ihren örtlichen TOSHIBA TEC Fachhändler.

 <p>Netzstecker abziehen.</p>  <p>■ Falls Fremdkörper (Metallteile, Wasser, Flüssigkeiten) in die Maschinen gelangen, schalten Sie zuerst die Netzschalter aus, und ziehen Sie die Netzstecker von den Steckdosen ab, bevor Sie sich an Ihren örtlichen TOSHIBA TEC Fachhändler wenden. Fortgesetzter Betrieb der Maschine unter dieser Bedingung kann zu Feuer oder elektrischen Schlägen führen.</p>	 <p>Netzstecker abziehen.</p>  <p>■ Beim Abziehen der Netzkabel darf nur am Stecker gezogen werden. Durch Ziehen am Kabel können die internen Drähte freigelegt und Feuer oder elektrische Schläge verursacht werden.</p>
 <p>Erdleiter anschließen.</p>  <p>■ Stellen Sie eine korrekte Erdung sicher! Auch Verlängerungskabel müssen geerdet sein. Sollte dies nicht der Fall sein, kann dies einen Kurzschluß oder Feuer verursachen.</p>	 <p>Nicht zerlegen.</p>  <p>■ Versuchen Sie niemals, das Gerät selber aufzuschrauben, zu reparieren oder umzubauen. Andernfalls könnten Sie durch hohe Spannungen, heiße Baugruppen oder scharfe Kanten im Gerät verletzt werden.</p>



VORSICHT

Weist darauf hin, daß bei unsachgemäßer Handhabung der Maschinen und Mißachtung dieses Hinweises die Gefahr von **Körperverletzungen** oder **Sachbeschädigung** besteht.

Vorsichtsmaßnahmen

Die folgenden Vorsichtsmaßnahmen helfen sicherzustellen, daß das Gerät einwandfrei funktioniert.

- Versuchen Sie folgendes zu verhindern:
 - * Temperatur ist außerhalb der Spezifikationen
 - * Direktes Sonnenlicht
 - * Hohe Luftfeuchtigkeit
 - * Starke Vibrationen
 - * Mehrfachsteckdose
 - * Staub
- Reinigen Sie das Gehäuse mit einem trockenen oder mit einem Reinigungsmittel getränktem Tuch. Verwenden Sie niemals Verdüner oder andere chemische Lösungsmittel zur Reinigung der Plastikteile.
- Verwenden Sie nur TOSHIBA TEC Original Etikettenmaterial und Farbbänder, das den Spezifikationen von TOSHIBA TEC entspricht.
- Etiketten, Etikettenmaterial und Farbbänder sollten so gelagert werden, daß sie vor direktem Sonnenlicht, hohen Temperaturen, Feuchtigkeit, Staub und Gas geschützt sind.
- Stellen Sie sicher, daß der Drucker auf einer ebenen Fläche steht.
- Im Fehlerfall übernehmen wir keine Garantie für Daten die sich im Speicher befanden.
- Vermeiden Sie einen gemeinsamen Stromanschluß mit starken Verbrauchern oder mit Geräten, die zu Netzschwankungen führen können.
- Ziehen Sie immer den Netzstecker bei Reinigungs- und Wartungsarbeiten im Inneren der Maschine.
- Halten Sie Ihre Arbeitsumgebung frei von statischen Aufladungen.
- Stellen Sie keine schweren Gegenstände auf die Maschinen, weil diese Gegenstände durch Umkippen oder Herunterfallen **Verletzungen** verursachen können.
- Die Ventilationsöffnungen der Maschinen dürfen nicht blockiert werden, weil sich sonst ein Wärmestau im Inneren der Maschinen bilden kann, der zu einem **Feuer** führen kann.
- Stützen Sie sich niemals auf die Maschine. Sie könnte sonst herunterfallen und Sie verletzen oder selbst beschädigt werden.
- Das Messer des Druckers ist sehr scharf, daher ist **HÖCHSTE VORSICHT** geboten, um Verletzungen zu vermeiden.
- Ziehen Sie den Netzstecker, wenn Sie den Drucker über einen längeren Zeitraum nicht nutzen.

Wartungshinweise

- Nutzen Sie unsere Wartungsangebote.
Nach dem Kauf eines Druckers sollten Sie diesen regelmäßig mindestens einmal pro Jahr von Ihrem TOSHIBA TEC Vertragshändler fachmännisch reinigen lassen. Ansonsten könnten Staubpartikel eine Fehlfunktion oder sogar Feuer auslösen.
- Unser Wartungsservice bietet periodische Check und vollzieht notwendige Arbeiten, um die Qualität Ihres Produktes zu erhalten sowie Unfällen vorzubeugen.
Nähere Informationen erhalten Sie von Ihrem TOSHIBA TEC Vertragshändler.
- Bei Einsatz von Insektiziden und anderen Chemikalien:
Setzen Sie den Drucker nicht Insektiziden oder anderen flüchtigen Lösungsmitteln aus, da diese das Gehäuse oder andere Teile angreifen und die Lackierung beschädigen.

Inhaltsverzeichnis

	Seite
1. EINFÜHRUNG/VORSICHTSMAßNAHMEN	G1- 1
1.1 MODELLBEZEICHNUNG	G1- 1
1.2 BEIPACK	G1- 1
2. SPEZIFIKATIONEN	G2- 1
2.1 DRUCKER	G2- 1
2.2 OPTIONEN	G2- 2
2.3 PAPIER.....	G2- 3
2.4 FARBBAND	G2- 3
3. ÜBERBLICK.....	G3- 1
3.1 VORDER-/RÜCKSEITE	G3- 1
3.2 ANZEIGEN UND TASTEN	G3- 1
4. DIP SCHALTER	G4- 1
5. VORAUSSETZUNGEN.....	G5- 1
5.1 ANSTEUERUNGSUMGEBUNG	G5- 1
5.2 KONFIGURIERUNG	G5- 1
5.3 DRUCKERUMGEBUNG	G5- 1
6. INSTALLATION DES DRUCKERS	G6- 1
6.1 ANSCHLUß DER KABEL	G6- 1
6.2 INSTALLATION DER PAPIERHAL TERUNG	G6- 1
7. EINSETZEN DES FARBBANDES	G7- 1
8. EINSETZEN DES PAPIERS	G8- 1
9. EINSETZEN DER FLASH MEMORY KARTE (OPTION)	G9- 1
10. EINSETZEN DER PCMCIA KARTE (OPTION)	G10- 1
11. HINWEISE ZUM PAPIER UND FARBBAND	G11- 1
12. WARTUNG	G12- 1
12.1 SÄUBERN DES DRUCKKOPFES	G12- 1
12.2 UNTERHALB DER PAPIERFÜHRUNG	G12- 3
12.3 GEHÄUSE	G12- 3
12.4 BESEITIGEN EINES PAPIERSTAUS	G12- 4
12.5 SENSOR-ANPASSUNG FÜR VORGEDRUCKTE ETIKETTEN	G12- 6
13. FEHLERBEHEBUNG	G13- 1

ACHTUNG:

1. *Dieses Handbuch darf ohne vorherige schriftliche Genehmigung von TOSHIBA TEC weder ganz noch auszugsweise kopiert werden.*
2. *Wir behalten uns vor, den Inhalt des Handbuches ohne Vorankündigung zu ändern.*
3. *Wenn Sie weitergehende Fragen haben oder Teile dieses Handbuches nicht verständlich sein sollten, wenden Sie sich bitte an Ihren TOSHIBA TEC-Fachhändler oder an die zuständige TOSHIBA TEC Landesgesellschaft.*

WARNUNG!

Dies ist ein Klasse A Produkt. In einer örtlichen Umgebung kann dieses Gerät Funkstörungen verursachen.

ACHTUNG:

Fassen Sie keine beweglichen Teile an. Um zu verhindern, daß finger, Schmuck, Kleidungsstücke oder ähnliches von den beweglichen Teilen erfaßt werden, schalten Sie das Gerät IMMER "AUS".

1. EINFÜHRUNG

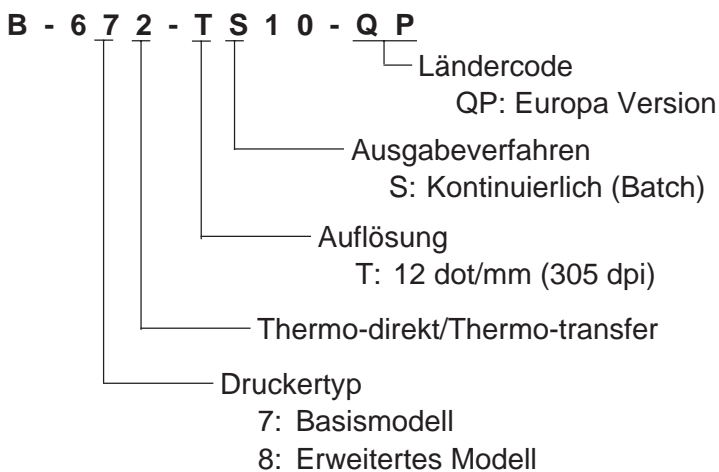
Vielen Dank, daß Sie sich für den TEC Drucker B-672/682 entschieden haben. Dieser Drucker vereinigt hohe Auflösung (12 Punkte/mm \geq 305 DPI) mit hoher Druckgeschwindigkeit 203.2 mm/Sek. (8 inch/sec.) und ist auch in industrieller Umgebung einsetzbar. Optional kann der Drucker mit Messer oder Spendemodul ausgestattet werden.

Dieses Handbuch enthält Informationen zum Betrieb und zur Wartung des Druckers. Bitte lesen Sie es sorgfältig, um die besten Druckergebnisse zu erzielen. Der Drucker wurde so konzipiert, daß bei Fehlbedienungen keine Gefahr besteht, den Drucker zu beschädigen. Benutzen Sie dieses Handbuch, wenn Sie Fragen zum Drucker haben oder irgendwelche Probleme auftreten. Bewahren Sie dieses Handbuch gut auf.

1.1 MODELLBEZEICHNUNG

- B-672-QP
- B-682-TS10-QP

(Typenschild)

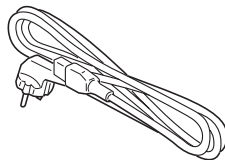


1.2 BEIPACK

Bediener-Handbuch
(EO1-33016)



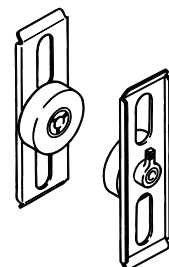
Netzkabel



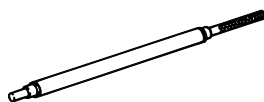
Kopfreiniger
(24089500013)



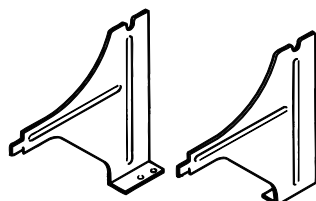
Rollenhalter



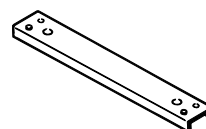
Rollenhalter-stange



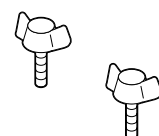
Seitenteile des
Papierhalters



Bodenplatte der
Papierhalterung



Schrauben
(M-4x6)



2. SPEZIFIKATIONEN

2.1 DRUCKER

Gegenstand	Modell	B-672/682-QP
Netzspannung		Universal (automatische Umschaltung) 85 - 138 V, 50/60 Hz 187 - 276 V, 50/60 Hz Bitte sicherstellen, daß die Spannung dem Standard entsprechend ist.
Leistungsaufnahme		1.4 A, 260 W max. (Standby: 270 mA, 26 W max.)
Temperaturbereich		50°C ~40°C
Luftfeuchte		25% ~ 85% relative Luftfeuchte, nicht kondensierend
Druckkopf		Dünnschicht-Thermo-Druckkopf, 12 Elemente/mm, "Near Edge" Typ
Druckmethode		Thermo-direkt/Thermo-transfer
Druckgeschwindigkeit		76.2 mm/sek., 101.6 mm/sek., 203.2 mm/sek.
Max. Druckbreite		170.6 mm
Betriebsarten		kontinuierlich, spenden, schneiden (schneiden und spenden nur, wenn die entspr. Option installiert ist)
Anzeigen		LCD-Display (1 zeilig mit 20 Zeichen), 3 LED's
Abmessungen		437 mm (B) x 282 mm (T) x 395 mm (H)
Gewicht		B-672: 25kg (ohne Papier und Farbband) B-682: 26kg (ohne Papier und Farbband)
Barcode-Formate		JAN8, JAN13, EAN8, EAN8+2digits, EAN8+5digits EAN13, EAN13+2, EAN13+5 UPC-E, UPC-E+2, UPC-E+5 UPC-A, UPC-A+2, UPC-A+5 MSI, ITF, NW-7, CODE39 CODE93, CODE128, EAN128, Industrial 2 to 5, Customer Bar Code, POSTNET, RM4SCC (ROYAL MAIL 4STATE CUSTOMER CODE), KIX CODE
Zweidimensionaler Code		Data Matrix, PDF417, QR Code, Maxi Code, Micro PDF417, CP Code (nur B-672)
Schriftarten		Times Roman (6 Arten), Helvetica (6 Arten), Presentation (1), Letter Gothic (1), Prestige Elite (2 Arten), Courier (2 Arten), OCR (2 Arten), Selbsterstellbare Zeichen (40 Arten, 2-Byte Zeichen verfügbar: nur B-682), Outline Font (B-672: 1 typen, B-682: 4 typen), Price font (3 typen: nur B-682)
Drehung		0°, 90°, 180°, 270°
Schnittstellen Standard		Serielle Schnittstelle (RS-232C) Parallele Schnittstelle (Centronics) Start-Stopp-Schnittstelle
Schnittstellen Optional		Flash Memory Karte (nur B-672) PCMCIA-Karten-Schnittstelle (nur B-682)

* *Data Matrix™* is a trademark of International Data Matrix, Inc.
PDF417 is a trademark of Symbol Technologies, Inc.

2.2 OPTIONEN

Bezeichnung	Modellname	Anwendung
Messereinheit	B-4208-QM	Schwingmesser für Anhänger + Etiketten
Spendemodul	B-4908-H-QM	Löst das Etikett vom Trägermaterial.
Flash Memory Karte (nur B-672)	_____	Flash Memory Karte (1MB und 4MB) zum Speichern von Logos, selbsterzeugten Schriftzeichen und formaten.
D-RAM-PC-Steckkarte (nur B-672)	_____	Eine Speicheraufrüstung kann in 2 MB Schritten.
PCMCIA Schnittstelle (nur B-682)	B-8700-PC-QM	Dieses Board ermöglicht die Nutzung folgender PCMCIA Karten. <ul style="list-style-type: none"> • LAN-Karte: 3 COM EtherLink®III (empfohlen) • ATA-Karte: PC zum ATA-Standard • Flash Memory Karte: 4MB Karte (siehe Seite 10-1)

2.3 PAPIER

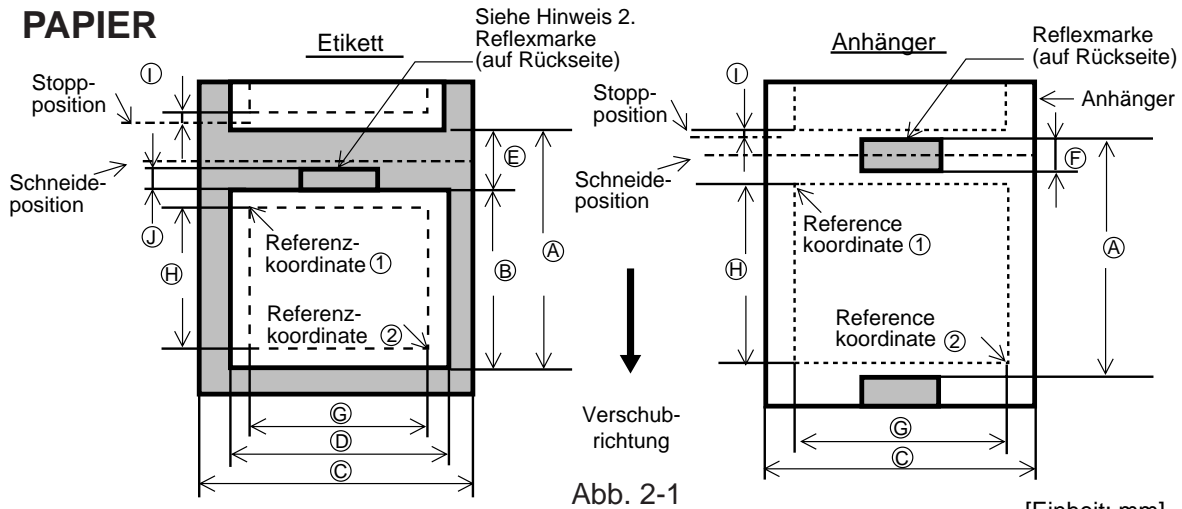


Abb. 2-1

[Einheit: mm]

Längen und Breiten		Betriebsart		Kontinuierlich	Spenden	schneiden
		B-672	B-682			
Ⓐ: Abstand Etikett zu Etikett		B-672	B-682	10.00 ~ 999.0	25.4 ~ 999.0	Etikett: 38 ~ 999.0 Anhänger: 25.4 ~ 999.0
		B-672	B-682	10.00 ~ 1709.0	25.4 ~ 1709.0	Etikett: 38 ~ 1709.0 Anhänger: 25.4 ~ 1709.0
Ⓑ: Etikettenlänge		B-672	B-682	7.5 ~ 996.5	22.9 ~ 996.5	25.0 ~ 993.0
		B-672	B-682	7.5 ~ 1707.0	22.9 ~ 1707.0	25.0 ~ 1703.0
Ⓒ: Breite des Trägerpapiers/Anhängers		84.0 ~ 175.0 (Siehe Hinweis 3.)				
Ⓓ: Etikettenbreite		81.0 ~ 172.0				
Ⓔ: Zwischenraum				2.5 ~ 20.0	2.5 ~ 20.0	6.0 ~ 20.0
Ⓕ: Länge der Reflexmarke (Anhänger)		2.5 ~ 10.0				
Ⓖ: Effektive Druckbreite		10.0 ~ 170.6				
Ⓗ: Effektive Drucklänge	Etikett	Standard	B-672	5.5 ~ 298.6	20.9 ~ 298.6	23.0 ~ 298.6
			B-682	5.5 ~ 1705.0	20.9 ~ 1705.0	23.0 ~ 1705.0
		max. Speichrerw.	B-672	5.5 ~ 981.3	20.9 ~ 981.3	23.0 ~ 981.3
	An-hänger	Standard	B-672	8.0 ~ 298.6	23.4 ~ 298.6	23.4 ~ 298.6
			B-682	8.0 ~ 1705.0	—	23.4 ~ 1705.0
		max. Speichrerw.	B-672	8.0 ~ 981.3	23.4 ~ 981.3	23.4 ~ 981.3
Ⓛ: Druckversatz durch Kopfanheben		1.0				
Ⓜ: Länge der Reflexmarke (Etikett)		Siehe Hinweis 2.				
Max. Effektive Länge "On the Fly" Druck	Standard	B-672		149.3		
		B-682		852.0		
	max. Speichrerw.	B-672		490.6		
Außendurchmesser der Materialrolle		Ø200 Max.				
Stärke	LabEtikett	0.13 ~ 0.17				
	An-hänger	0.10 ~ 0.17				

HINWEIS:

- Andere als o.g. Spezifikationen sind unverändert.
- Bitte beachten Sie folgende Anforderungen bei der Anbringung von Reflexmarken auf Ihr Etikettenmaterial. Sollte der Zwischenraum kleiner als 4 mm sein, dann sollte die Reflexmarke etwas größer als 4 mm sein. Sollte der Zwischenraum größer als 4 mm sein, dann sollte die Reflexmarke den Zwischenraum nicht mehr als 4 mm überlappen.
- Bei einer Druckgeschwindigkeit von 203.2 mm/sek. (8"/sec.), liegt die Papierbreite inkl. Trägerpapier zwischen 84 mm und 150 mm. Kommen Messer (B-4208-QM) oder Spendemodule (B-4908-H-QM) zum Einsatz, liegt Papierbreite inkl. Trägerpapier zwischen 101.6 mm und 175 mm.
- Bedrucken Sie Etiketten oder Anhänger deren Druckbreite kleiner ist, als die spezifizierte, beeinträchtigt dies die Lebensdauer Ihres Thermokopfes.
- Bedrucken sie thermodirekt etiketten, mit einer druckgeschwindigkeit von 200mm/sek., beachten sie das, daß nächst zubedruckende etikett nach ca. 1 mm unterm thermokope stopt.

2.4 FARBBAND

Typ	Roll
Breite	115 mm ~ 185 mm (Siehe Hinweis 5.)
Länge	300 m
Außendurchmes.	Ø72 mm (max.)

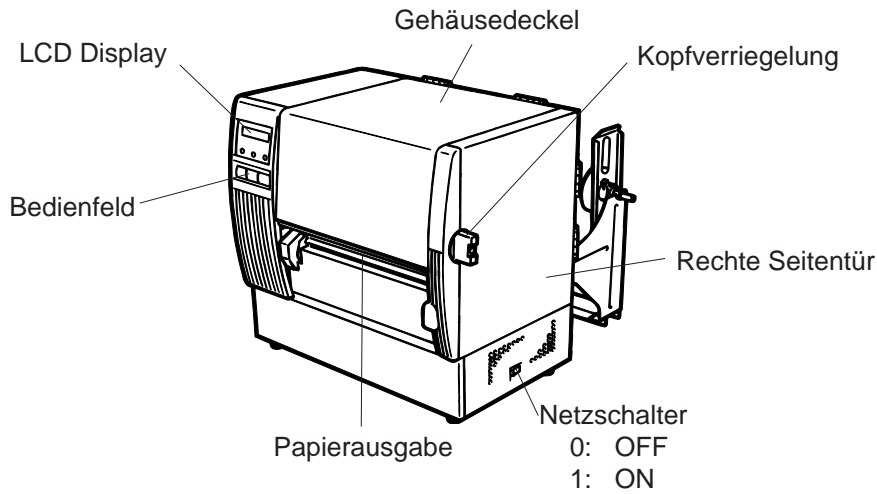
HINWEIS:

- "On-the-fly" Drucken heißt, daß der Drucker während des Drucks bereits das folgende Etikett im Speicher aufbereitet und druckt, ohne anzuhalten.
- Um beste Druckqualität und lange Lebensdauer des Druckkopfes sicherzustellen, empfehlen wir den ausschließlichen Gebrauch von Original TOSHIBA TEC Farbbändern und TOSHIBA TEC geprüften Papieren.
- Im Schneidemodus bitte nur Etiketten verwenden, deren Etikettenlänge Ⓑ plus einer halben Zwischenraumlänge Ⓔ, größer 35mm sind.
- Um Faltenbildung des Farbbandes zu vermeiden, verwenden Sie ein Farbband das mindestens 5 mm oder mehr breiter ist als das Papiermaterial. Allerdings kann eine zu große Differenz in der Breite der beiden Materialien eine Faltenbildung verursachen.
- Bei einer Druckgeschwindigkeit von 203.2 mm/Sek. (8"/sec.), liegt die Farbbandbreite zwischen 115 mm und 160 mm.

3. ÜBERBLICK

3.1 VORDER-/RÜCKSEITE

Vorderansicht



Rückansicht

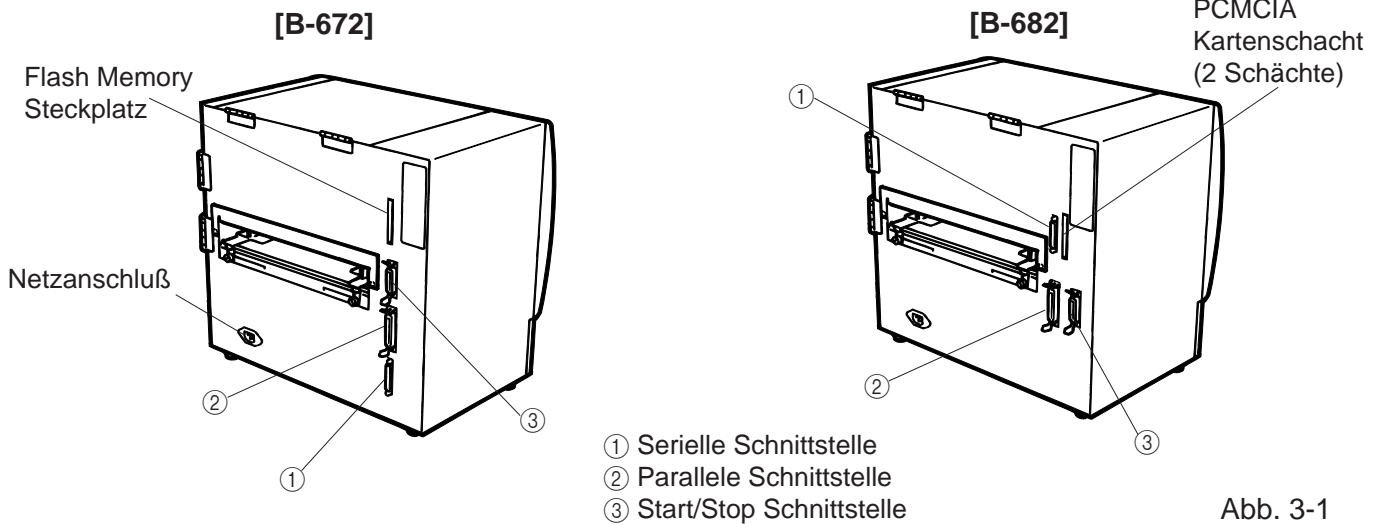


Abb. 3-1

3.2 BEDIENFELD

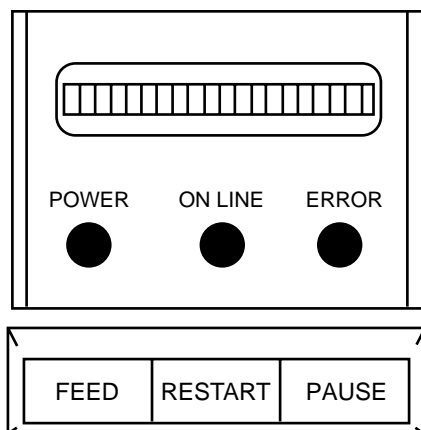


Abb. 3-2

LCD-DISPLAY

Zeigt nach Einschalten mit, "ON LINE", daß der Drucker betriebsbereit ist.

POWER LED (grün)

Ist immer an, wenn der Drucker eingeschaltet ist.

ON-LINE LED (grün)

- 1) Blinkt während der Kommunikation.
- 2) Ist an während des Drucks.

ERROR LED (rot)

Zeigt an, daß ein Fehler, z.B. Papierende, Farbbandende, Übertragungsfehler etc., aufgetreten ist. Weitere Information steht dann im LCD-Display.

FEED Taste

Papiervorschub

RESTART Taste

Hebt Fehler-oder Pausestand auf wird ebenfalls bei Einstellung für vorgedrucktes Papier benötigt. (siehe. hierzu Seite 12-6)

PAUSE Taste

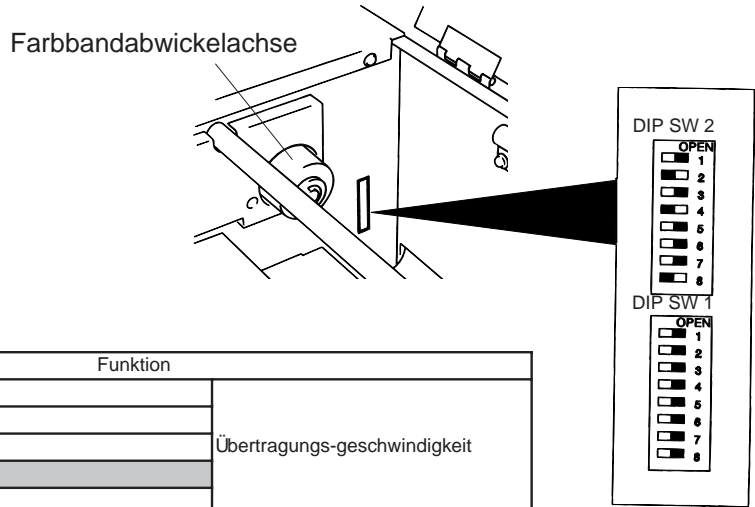
Unterbricht den Druck. Im LCD Display erscheint "PAUSE" sowie die Anzahl der noch zu druckenden Etiketten. Wird ebenfalls bei Einstellung für vorgedrucktes Papier benötigt. (siehe. hierzu Seite 12-6)

4. DIP SCHALTER (nur B-672)

Die DIP Schalter befinden sich neben der Farbbandabwickelachse rechts.

ACHTUNG!

*NETZ AUSSCHALTEN;
bevor die Schalter verändert
werden.*



(1) DIP SW 2

Nr.	EIN/AUS		Funktion	
	1	2		
1	OFF	OFF	2400 BPS	Übertragungs-geschwindigkeit
	ON	OFF	4800 BPS	
	OFF	ON	9600 BPS	
2	ON	ON	19200 BPS	
3	OFF		1 bit	Stopp-Bits I
	ON		2 bits	
4	OFF		7 bits	Wortlänge
	ON		8 bits	
5	OFF		ohne	Paritätsprüfung
	ON		mit	
6	OFF		GERADE	Parität (wenn SW #5 auf ON.)
	ON		UNGERADE	
7	7	8		Protokoll
	OFF	OFF	XON/XOFF (Kein XON beim Einschalten) (Kein beim Ausschalten.)	
	ON	OFF	READY/BUSY (DTR) (Kein XON beim Einschalten) (Kein beim Ausschalten.) READY/BUSY (RTS) (Kein XON Beim Einschalten) (Kein Beim Ausschalten)	
8	OFF	ON	XON/XOFF+READY/BUSY (XON beim einschalten) (XOFF beim ausschalttem)	
	ON	ON	XON/XOFF (XON beim Einschalten) (OFF beim Ausschalten)	

Abb. 4-1

(2) DIP SW 1

Nr.	EIN/AUS			Funkrion	
	2	3	4		
1	OFF			muß immer OFF sein.	
	ON				
2	aus	aus	aus	englisch	
	ON	OFF	OFF	deutsch	Gewünschte Sprache für Fehlermeldungen
	OFF	ON	OFF	französisch	
	ON	ON	OFF	flämisch	
OFF	OFF	ON	spanisch		
3	ON	OFF	ON	japanisch	
	OFF	ON	ON	italienisch	
	ON	ON	ON	nicht benutzt	
4	OFF			ohne	Automatischer Materialtransport nach einem Schnitt (siehe Seite 8-4)
	ON			mit	
5	OFF			muß immer OFF sein.	
	ON				
6	OFF			muß immer OFF sein.	
	ON				Sensor Type
7	OFF			muß immer OFF sein.	
	ON				
8	OFF			muß immer OFF sein.	
	ON				

HINWEIS: Die unterlegten Positionen zeigen die Einstellung ab Werk.

5. VORRAUSSETZUNGEN

5.1 ANSTEUERUNGSUMGEBUNG

Es gibt folgende Möglichkeiten den Drucker anzusteuern:

- Der Computer oder Großrechner muß über eine serielle oder parallele Schnittstelle verfügen.
- Für den Datentransfer ist ein paralleles (36 Pin) oder seriell (25 Pin) Datenkabel nötig.
- Um ein Etikett zu gestalten, benutzen Sie das Interface/Communication Manual.

■ Schnittstellenkabel

Um Störungen bei der Datenübertragung zu verhindern, beachten Sie die folgenden Punkte.

- Nutzen Sie nur abgeschirmte Kabel und Metallstecker.
- Halten Sie das Kabel so kurz wie möglich.
- Wickeln Sie das Datenkabel nicht um das Netzkabel.
- Verlegen Sie Datenkabel und Netzkabel nicht im gleichen Kabelschacht.

■ RS-232C Schnittstellenbeschreibung

Zum Ansteuern des Druckers mit einem seriellen Schnittstellenkabel können Sie die beiden folgenden Konfigurationen verwenden.

Hinweis: Die Gewinde der RS-232C Schnittstelle sind metrisch-Gewinde.

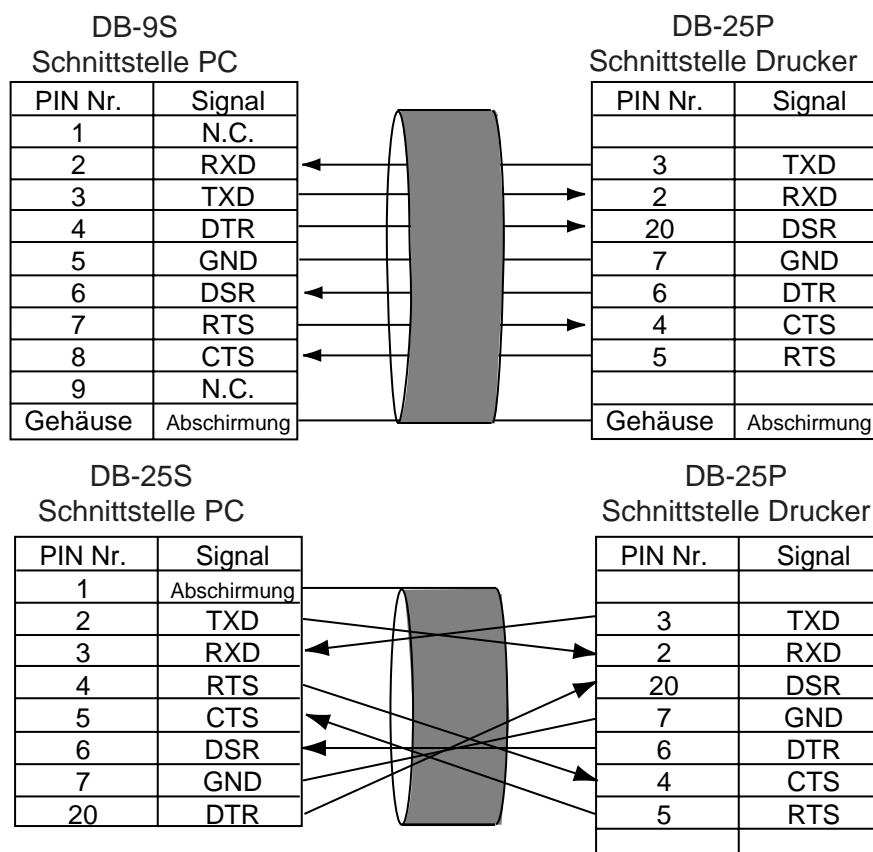


Abb. 5-1

5.2 DRUCKERUMGEBUNG

- Stellen Sie den Drucker auf einen ebenen, stabilen Untergrund.
- Benutzen Sie ein geerdetes Anschlußkabel. Benutzen Sie keinen Adapter-Stecker.
- Lassen Sie genügend Platz am Drucker, um ihn zu bedienen (z.B. Farbband und Material zu wechseln)
- Halten Sie die Arbeitsumgebung frei von statischen Ladungen.

6. INSTALLATION DES DRUCKERS

6.1 ANSCHLUSS DER KABEL

ACHTUNG!
Den Netzschalter auf "AUS" = stellen, bevor Sie Netzkabel oder andere Kabel einstecken.

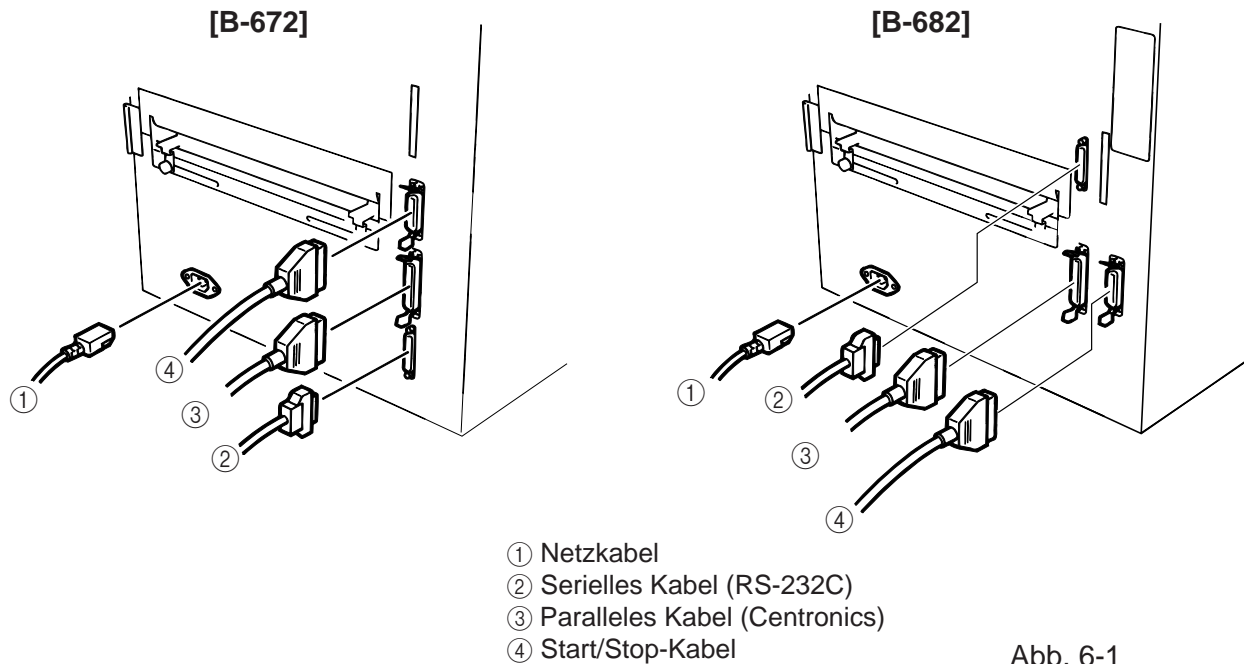


Abb. 6-1

Anmerkung: Verschiedene Anschlußkabel dürfen nicht zur gleichen Zeit mit Daten beschickt werden.

6.2 INSTALLATION DER PAPIERHALTERUNG

Fügen Sie die linke und rechts Seite der Halterung in die Nasen der Grundplatte und verschrauben Sie diese.

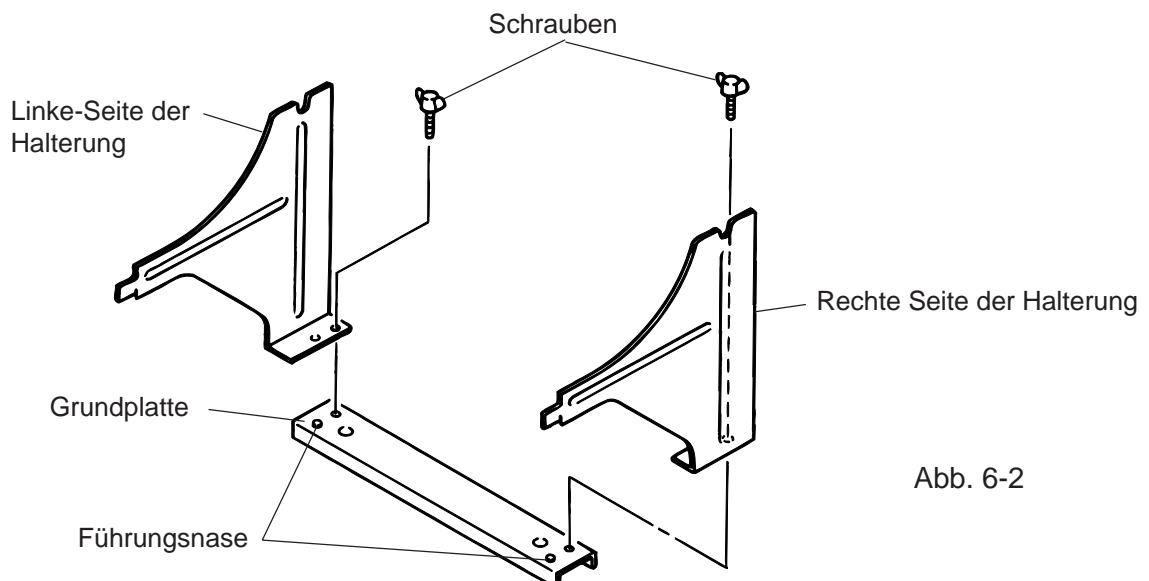


Abb. 6-2

7. EINSETZEN DES FARBBANDES

WARNUNG!

1. Fassen Sie keine beweglichen Teile an. Um zu verhindern, daß Finger, Schmuck, Kleidungsstücke oder ähnliches von den beweglichen Teilen erfaßt werden, schalten Sie das Gerät **IMMER** "AUS".
2. Greifen Sie **NIE** in den Drucker während des Öffnens oder Schließens, so vermeiden Sie Verletzungen.

Dieser Drucker kann als Thermodrucker und als Thermotransfer-Drucker genutzt werden.

Beim Betrieb als Thermodrucker ist das Papier chemisch behandelt, und es darf keif Farbband eingesetzt werden.

1. Schalten Sie die Maschine aus und öffnen Sie die rechte Seitentür sowie den oberen Klappdeckel.
2. Stellen Sie die Kopfverriegelung in Position "OPENS" und öffnen Sie danach das Führungsblech für den Print-Block.

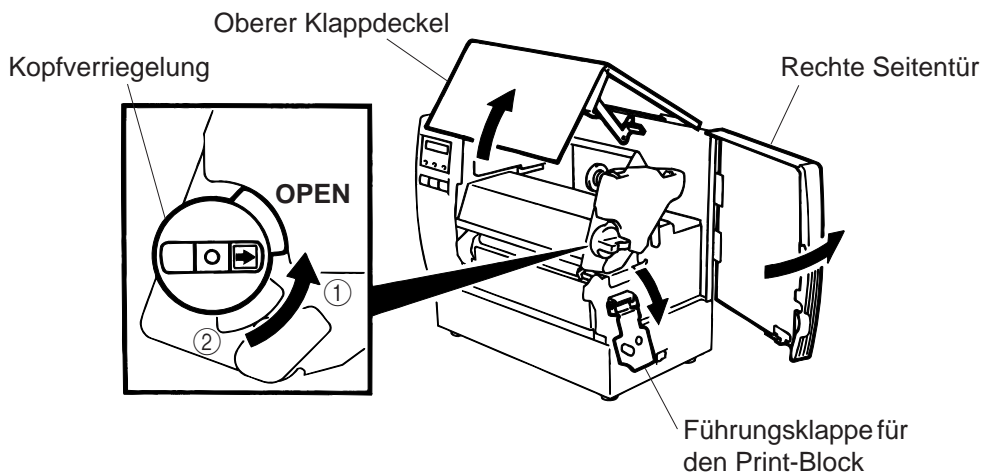


Abb. 7-1

Position Kopfverriegelung

- ①: Etiketten oder dünnes Kartonmaterial
- ②: dickes Kartonmaterial
- OPEN: Farbband oder Verbrauchsmaterial wechseln

3. Wickeln Sie das Farbband, wie in Abbildung 7-2 gezeigt ein wenig ab.
4. Setzen Sie das Farbband so ein, daß die Farbbandvorratsrolle hinten sitzt.

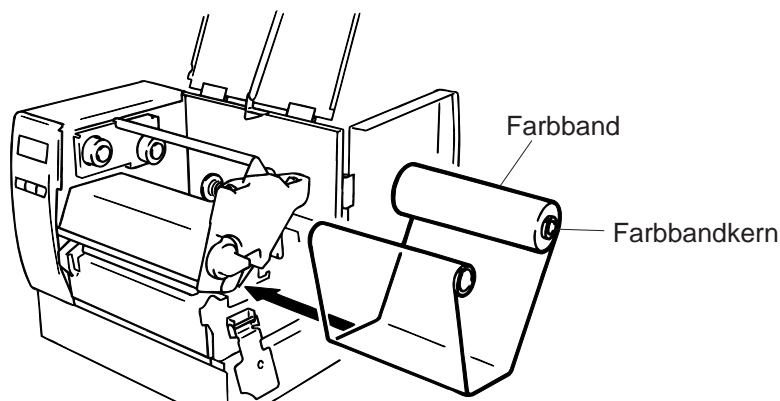


Abb. 7-2

5. Drücken Sie den Farbbandkern zum Einsetzen gegen die Farbbandfeder und sichten Sie darauf, daß die Führungs-Nasen in das Farbbandführungsrad einrastet.
6. Straffen Sie das Farbband, in dem Sie beide Farbbandachsen aufeinander zu drehen.
7. Sollte das Farbband Falten werfen, verstellen Sie die Farbbandhebel-Justage bis die Falten verschwinden.

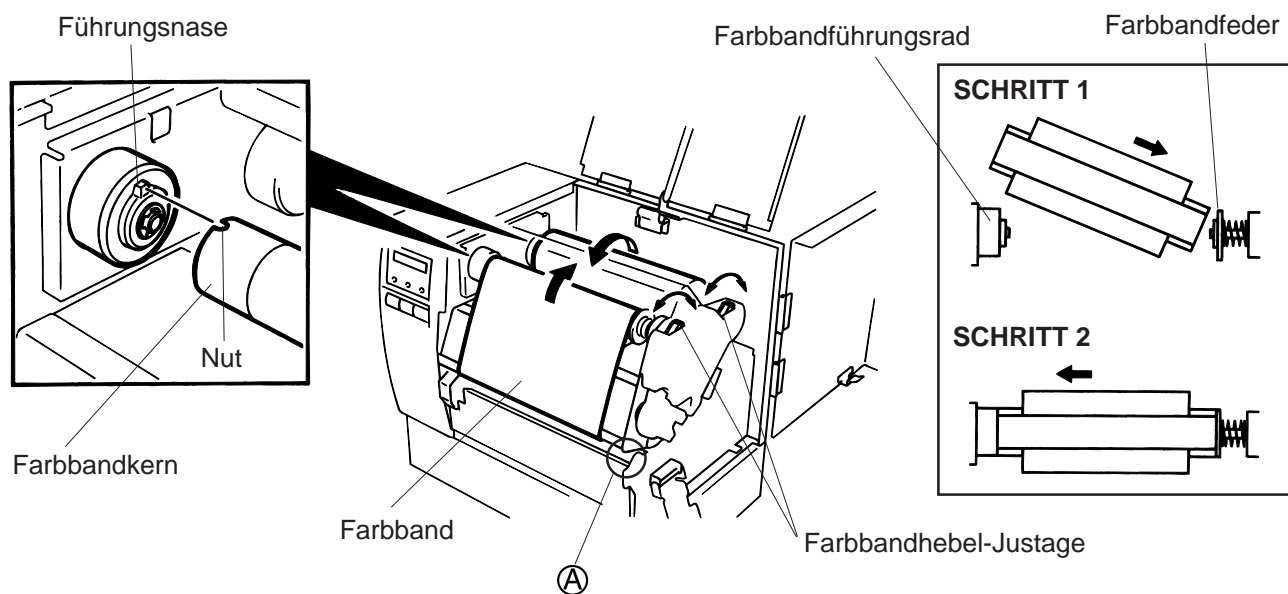


Abb. 7-3

HINWEIS: Beim Entfernen des Farbbandes bitte darauf achten, daß sich das Band nicht an Teil A verfängt.

8. Schließen Sie das Führungsblech für den Print-Block.
9. Stellen Sie die Kopfverriegelung anhängig vom zu bedruckendem Material auf die entsprechende Position ein. (Siehe Abb. 7-1)
 - ①: Etiketten oder dünnes Kartonmaterial
 - ②: dickes Kartonmaterial

ACHTUNG: Wenn Sie Etiketten bedrucken stellen Sie sicher das die Kopfverriegelung auf Position ① steht.

8. EINSETZEN DES PAPIERS

WARNUNG!

1. Fassen Sie keine beweglichen Teile an. Um zu verhindern, daß Finger, Schmuck, Kleidungsstücke oder ähnliches von den beweglichen Teilen erfaßt werden, schalten Sie das Gerät **IMMER** "AUS".
2. Greifen Sie **NIE** in den Drucker während des Öffnens oder Schließens, so vermeiden Sie Verletzungen.

1. Installieren Sie den Rollenhalter hinter dem Drucker.
2. Lösen Sie die Schrauben **A** und schieben Sie die Papierführung nach außen.

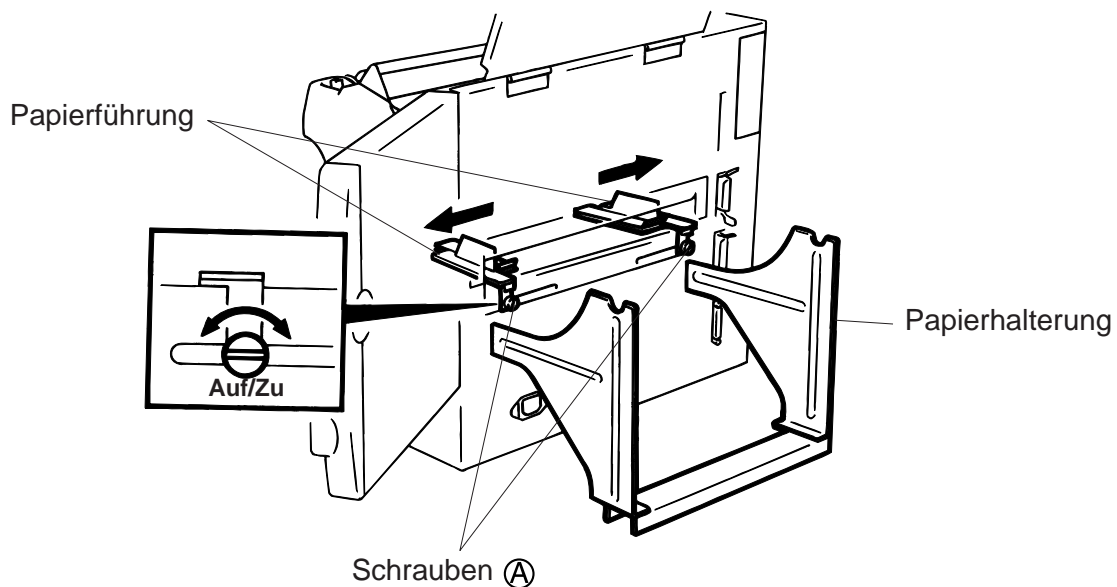


Abb. 8-1

ACHTUNG:

Verschieben Sie die Papierführung nicht an den Schrauben.

3. Öffnen Sie den Feststellhebel der Rollenhalterung.
4. Führen Sie die Rollenhalter-Stange durch den Kern des Materials und setzen Sie dann die Rollenhalter auf den Materialkern. Schließen Sie die Feststellhebel der Rollenhalterung.

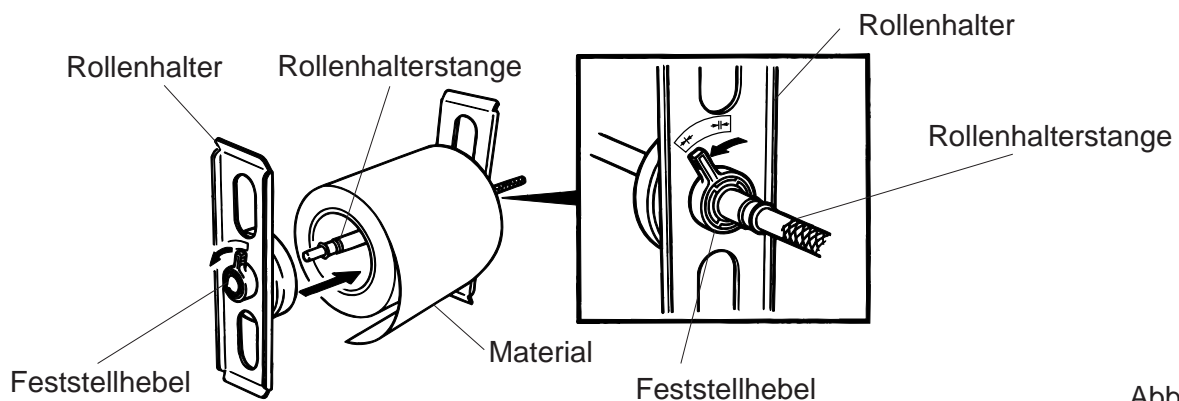


Abb. 8-2

5. Setzen Sie das Material mit der Rollenhalterstange und den Rollenhalter auf die Papierhalterung und positionieren Sie dies mitting.

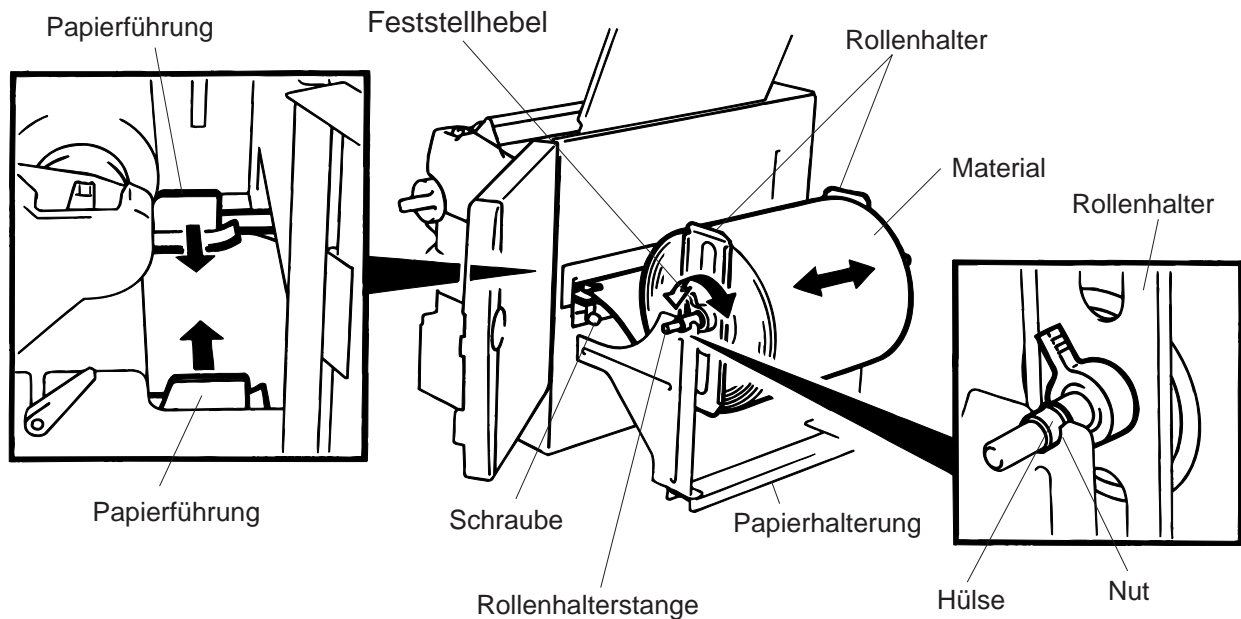


Abb. 8-3

HINWEIS: Setzen Sie die Hülse der Rollenhalter-Stange genau in die Nut der Papierhalterung.

6. Die Sensoren für schwarze Markierungen bzw. die jeweilige Medienstärke können bei dem B-672 durch Änderung der DIP-Schalterstellung feststehend oder beweglich sein. Bei dem B-682 ist ein qualifizierter TOSHIBA TEC-Händler zur Änderung der Einstellungen am Bedienfeld zu Rate zu ziehen.

Wurde der feste Typ gewählt, so befindet sich der Reflexmarkensensor in der Mitte des Materials und der Durchleuchtungs-Sensor 10 mm links davon.

Der bewegliche Typ kann überall zwischen dem linken Ende der effektiven Druckbreite und dem festen Typ positioniert werden.

Nachdem der Sensor-Typ gewechselt wurde, muß die Sensorintensität neu justiert werden.

Rufen Sie in diesem Fall einen von TOSHIBA TEC autorisierten Fachhändler an.

7. Mit Hilfe des Einstellknopfes läßt sich der Reflexmarken- / Durchleuchtungssensor in die richtige Position bringen. Eine Rechtsdrehung bewegt den Sensor zur Mitte hin, eine Linksdrehung von der Mitte weg.

■ Reflexmarkensensor Ausrichtung:

- ① Ziehen Sie das Material 500 mm aus dem Drucker heraus, drehen Sie es auf die Rückseite und führen Sie es unter dem Print-Block hindurch, so daß die Reflexmarke nach oben sichtbar ist.
- ② Stellen Sie den Sensor nun genau auf die Reflexmarke. (Das obere Loch entspricht der Reflexmarkensensor Position).

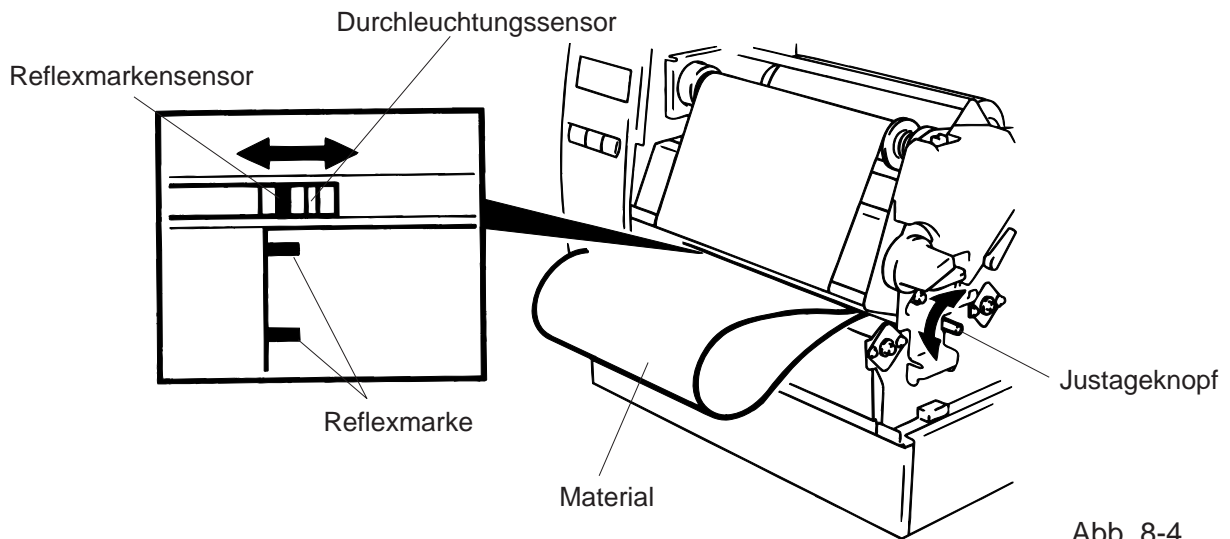


Abb. 8-4

HINWEIS: Achten Sie darauf den Sensor auf die Mitte der Reflexmarke zu positionieren ist, ansonsten kann ein Papierfehler auftreten.

■ Durchleuchtungssensor Ausrichtung

Justieren Sie den Sensor so, daß er auf den Etikettenzwischenraum sitzt. (Das untere Loch entspricht der Position des Durchleuchtungssensors).

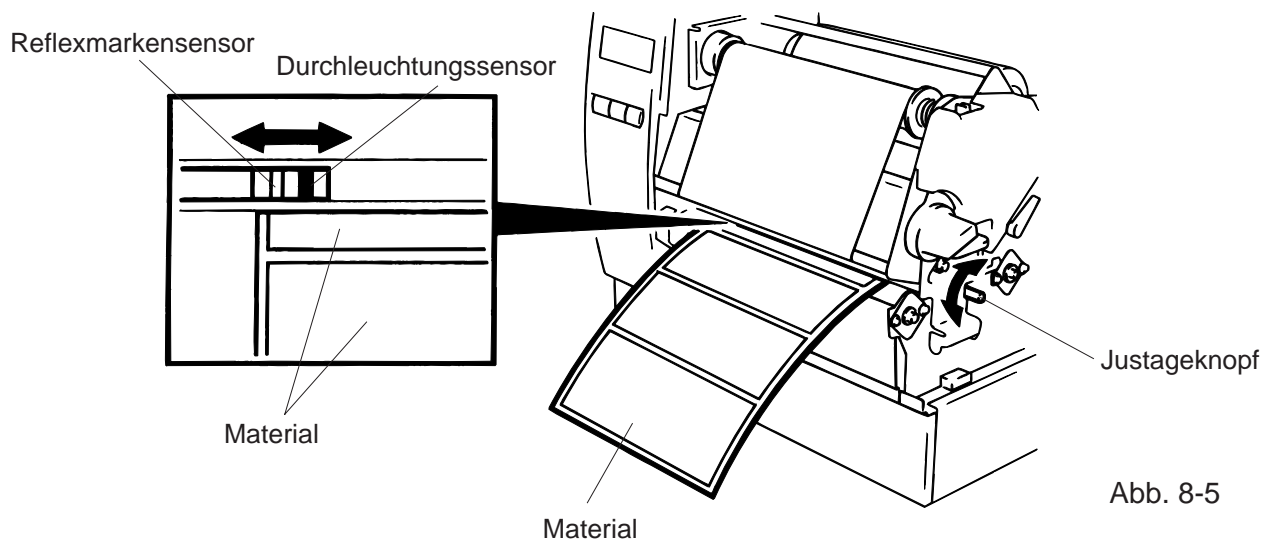


Abb. 8-5

8. Das Material ist nun richtig eingelegt und die Sensorposition korrektausgerichtet.
Endlos Betrieb:

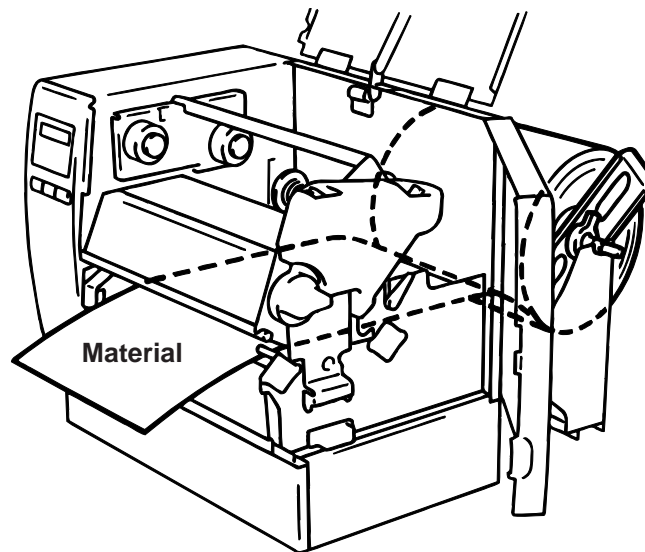


Abb. 8-6

Schneide Betrieb: Ist ein Messer vor dem Drucker montiert, legen Sie das Material wie eben beschrieben ein und führen es durch das Messerwerk hindurch

- HINWEIS:**
1. Stellen sie sicher, daß nur das Trägermaterial bei Klebeetiketten geschnitten wird. Sonst könnten Klebeetikettenteile das Messer verkleben und dadurch die Schneidequalität mindern.
 2. Wickelt sich im Spendemodus die Oberkante der Etiketten um die Druckwalze, den DIP-Schalter 1-5 des B-672 auf ON setzen. Bei dem B-682 ist ein qualifizierter TOSHIBA TEC-Händler zur Änderung der Einstellungen am Bedienfeld zu Rate zu ziehen.
 3. Wenn Sie Karton-Material schneiden achten Sie bitte auf die Spezifikation für die Papierstärke.

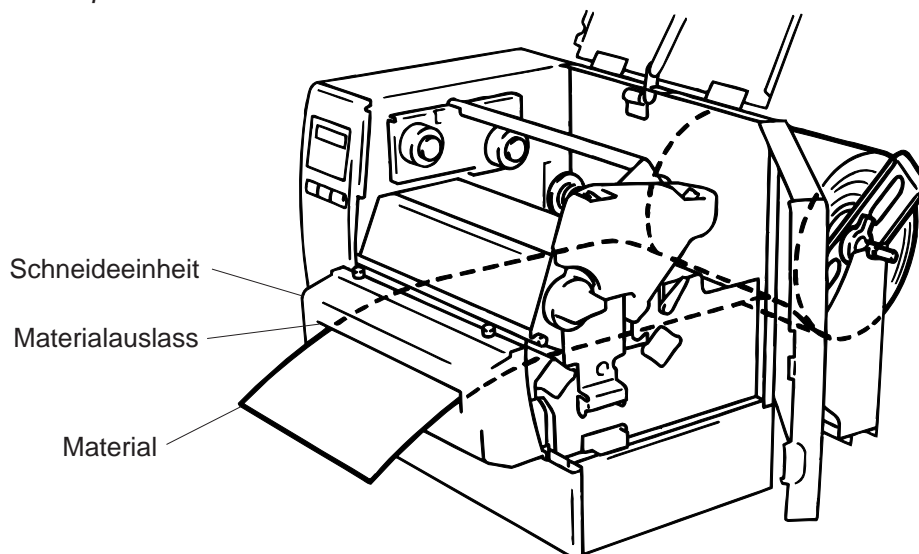


Abb. 8-7

Spende Option:

- ① Ziehen Sie die Aufkleber auf den ersten 200 mm ab.
- ② Drücken Sie die Trägerpapier-Rückhalteleiste herunter.
- ③ Führen Sie das Trägerpapier zwischen den Spenderrollen und der Trägerpapierführung hindurch. Entfernen Sie möglichen Staub oder Etikettenrückstände und bringen Sie die Trägerpapier-Rückhalteleiste in ihre ursprüngliche Position.

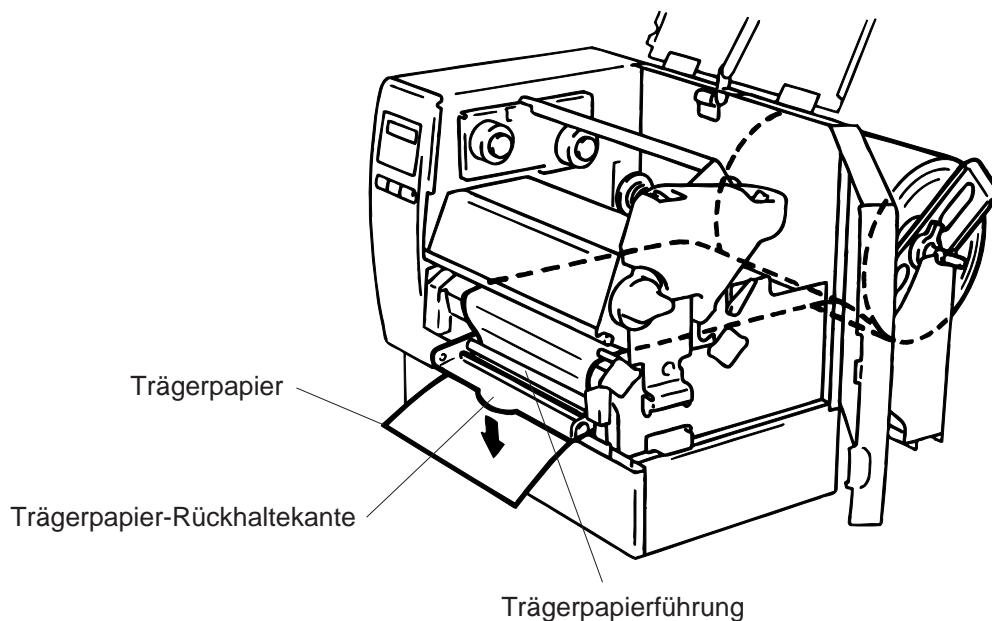


Abb. 8-8

9. Stellen Sie die Kopfverriegelung anhängig vom zu bedruckendem Material auf die entsprechende Position ein. (Siehe Abb. 7-1)
 - ①: Etiketten oder dünnes Kartonmaterial
 - ②: dickes Kartonmaterial

ACHTUNG: Wenn Sie Etiketten bedrucken stellen Sie sicher das die Kopfverriegelung auf Position ① steht.

10. Schließen Sie den oberen Klappdeckel und die rechte Tür.

9. EINSETZEN DER FLASH MEMORY KARTE (OPTION) (nur B-672)

ACHTUNG!

Zum Einsetzen oder Entnehmen der Karte den Drucker immer ausschalten.

VORSICHT:

Um die Speicherkarte vor Statik zu schützen, sollten Sie vor Herausziehen der Karte die rückseitige Abdeckung des Druckers berühren.

1. Schalten Sie den Drucker aus.
2. Stecken Sie die Karte in den vorgesehenen Steckplatz auf der Rückseite des Druckers.
3. Schalten Sie den Drucker ein.

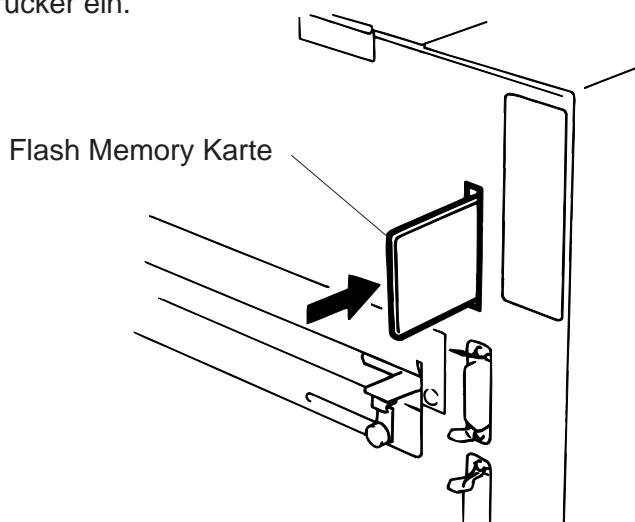


Abb. 9-1

- HINWEIS:**
1. Bewahren Sie die Speicherkarte außerhalb des Druckers immer in der Schutzhülle auf.
 2. Setzen Sie die Karte keinen mechanischen Belastungen aus.
 3. Schützen Sie die Karte vor großer Hitze und direkter Sonneneinstrahlung.
 4. Die Karte keiner Feuchtigkeit aussetzen und nicht feucht reinigen.
 5. Der Drucker muß beim Einsetzen oder Herausnehmen der Karte immer ausgeschaltet sein.
 6. Die nachfolgend aufgeführten PCMCIA Karten können genutzt werden.
(1MB-Karten können nur gelesen werden, 4MB können im Drucker beschrieben und gelesen werden.)

Kapazität	Hersteller	Typ	Karten Code	Hersteller Code
1M Byte	Maxell	EF-1M-TB [AA]	D0H	1CH
	Mitsubishi	MF81M1-GBDAT01		
4M Byte	Maxell	EF-4M-TB [CC]	88H	B0H
	Maxell	EF-4M-TB [DC]	ADH	04H
	Centennial Technologies INC.	FL04M-15-11119-03		01H
	INTEL	IMC004FLSA	A2H	89H
	Simple TECHNOLOGY	STI-FL/4A		
	Mitsubishi	MF84M1-G7DAT01		
	PC Card KING MAX	FJN-004M6C		
PC Card	FJP-004M6R	A0H	89H	

10. EINSETZEN DER PCMCIA KARTE (OPTION) (nur B-682)

WARNUNG:

Schalten Sie den Drucker aus bevor Sie die PCMCIA Karte einstecken oder heraus ziehen.

ACHTUNG:

Zum Schutz der PCMCIA Karte, entladen Sie Ihre statische Ladung durch Berühren der Rückseite des Druckers bevor Sie die PCMCIA Karte anfassen.

1. Schalten Sie den Drucker aus.
2. Stecken Sie die PCMCIA Karte in den Kartenschacht auf der Rückseite des Druckers.
3. Schalten Sie den Drucker ein.

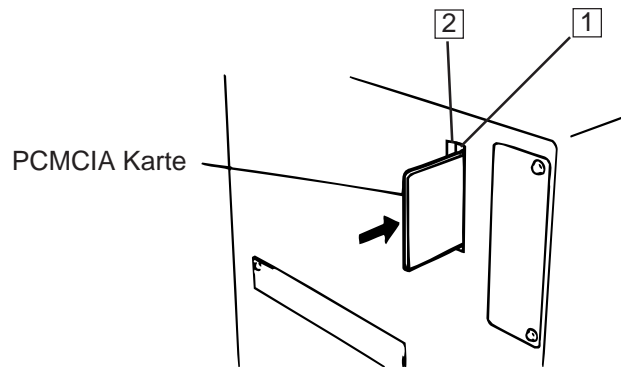


Abb. 10-1

HINWEISE:

1. Schützen Sie Ihre PCMCIA Karte durch eine Schutzhülle, wenn sich die Karte nicht im Drucker befindet.
2. Setzen Sie die Karte keinen mechanischen Belastungen aus.
3. Schützen Sie die Karte vor großer Hitze und direkter Sonneneinstrahlung.
4. Die Karte keiner Feuchtigkeit aussetzen und nicht feucht reinigen.
5. Der Drucker muß beim Einsetzen oder Herausnehmen der Karte immer ausgeschaltet sein.
6. Folgende PCMCIA-Karten können benutzt werden.

Typ	Hersteller	Beschreibung	Bemerkungen
ATA-Karte	Eine dem PC-Kartenstandard ATA entsprechende Karte		_____
LAN-Karte	3 COM	Ether Link 3C589D PC-Karte	Nur in Steckplatz (2) installieren. (Keine Funktion bei Installation in Steckplatz (1).)
Flash-Speicherkarte (4 MB)	Maxell	EF-4M-TB CC	_____
		EF-4M-TB DC	

7. Installieren Sie die LAN-Schnittstelle in den Kartenschacht (2).

11. HINWEISE ZUM PAPIER UND FARBBAND

Verwenden Sie nur Materialien, die von TOSHIBA TEC zugelassen sind:

Dies ist wichtig, um Druckqualität, Kopflebensdauer und Lesbarkeit von Barcodes sicherzustellen. Die Verwendung von nicht zugelassenen Materialien kann die Lebensdauer des Kopfes wesentlich verkürzen und zu schlechten Druckergebnissen führen. Lagern Sie Ihr Material unter Berücksichtigung folgender Regeln:

- Beachten Sie die Herstellerangaben zur Lagerzeit.
- Lagern Sie die Rollen liegend (auf der flachen Seite).
- Lagern Sie die Rollen in Plastikbeuteln. Verschließen Sie den Beutel nach Entnahme der Rolle. Ungeschützt lagerndes Material kann verschmutzen und die Lebensdauer des Druckkopfes durch Staub und Schmutzpartikel wesentlich verkürzen.
- Das Material soll kühl und trocken gelagert werden. Direktes Sonnenlicht, Wärme, hohe Luftfeuchte, Staub oder Gas können die Lebensdauer des Materials wesentlich verkürzen oder es unbrauchbar machen.
- Benutzen Sie kein Thermopapier beim Thermodirekt-Druck, daß nicht die Spezifikationen Na⁺800 ppm, K⁺250 ppm und CL-500 ppm erfüllt.
- Vorbedruckte Etiketten in denen Tinte benutzt wurde, können die Lebensdauer des Druckkopfes verkürzen. Benutzen Sie keine vorbedruckten Etiketten, die die Substanzen carbonic calcium (CaCO₃) und kaolin (Al₂O₃, 2SiO₂, 2H₂O) enthalten.

Weitere Informationen erhalten Sie von Ihrem TOSHIBA TEC Händler oder Ihrem Etiketten-bzw. Farbbandlieferanten.

12. WARTUNG

WARNUNG!

1. *Vorsicht beim Umgang am Druckkopf, dieser kann sehr heiß werden.*
2. *Das Messer des Druckers ist sehr scharf, daher ist HÖCHSTE VORSICHT geboten, um Verletzungen zu vermeiden.*
3. *Fassen Sie keine beweglichen Teile an. Um zu verhindern, daß Finger, Schmuck, Kleidungsstücke oder ähnliches von den beweglichen Teilen erfaßt werden, schalten Sie das Gerät IMMER "AUS".*
4. *Greifen Sie NIE in den Drucker während des Öffnens oder Schließens, so vermeiden Sie Verletzungen.*

12.1 SÄUBERN DES DRUCKKOPFES

ACHTUNG!

1. *Ziehen Sie alle Verbindungskabel am Drucker ab.*
2. *Benutzen Sie kein Werkzeug, der den Druckkopf beschädigen könnte.*
3. *Bringen Sie nie den Druckkopf mit Wasser in Verbindung.*

Durch regelmäßige Reinigung können Sie dazu beitragen, die hohe Qualität und Leistung dieses Druckers zu erhalten. Abhängig davon, wie stark der Drucker bei Ihnen zum Einsatz kommt, empfehlen wir, folgende Maßnahmen z.B. beim Wechseln des Farbbandes, täglich oder wöchentlich durchzuführen:

1. Drucker ausschalten und Netzkabel abziehen.
2. Gehäuse öffnen.
3. Druckkopf entriegeln.
4. Farbband und Papier entnehmen.
5. Die Heizelemente des Druckkopfes mit dem Druckkopfreiniger säubern.
6. Reinigen Sie die Andruckwalze, Andruckrolle und Vorschubrolle mit Alkohol. Entfernen Sie Staub aus dem Drucker.

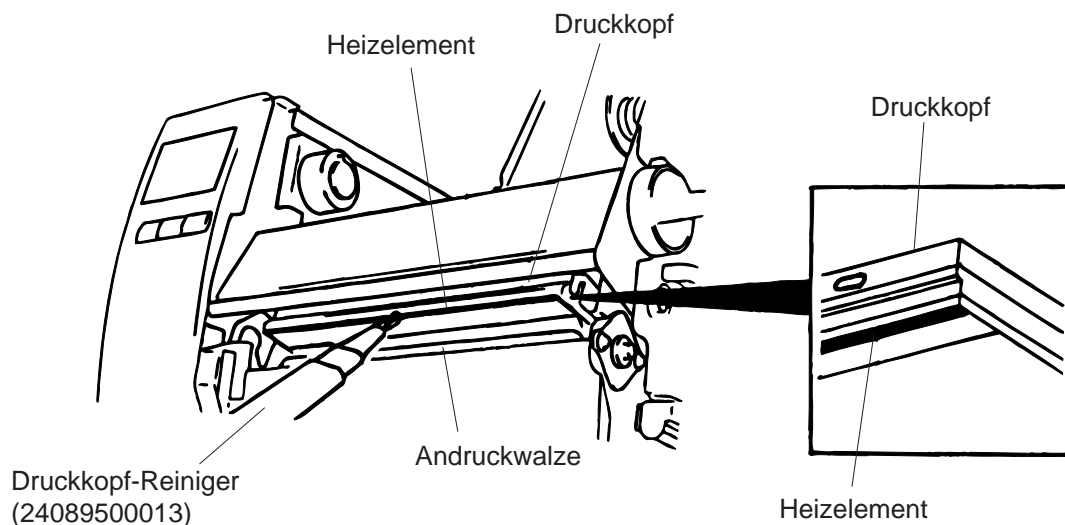


Abb. 12-1

7. Legen Sie den Andruckwalzen-Hebel nach rechts.
8. Entfernen Sie die weiße Schraube und entnehmen Sie das Farbband-Ende-Sensor-Blech.

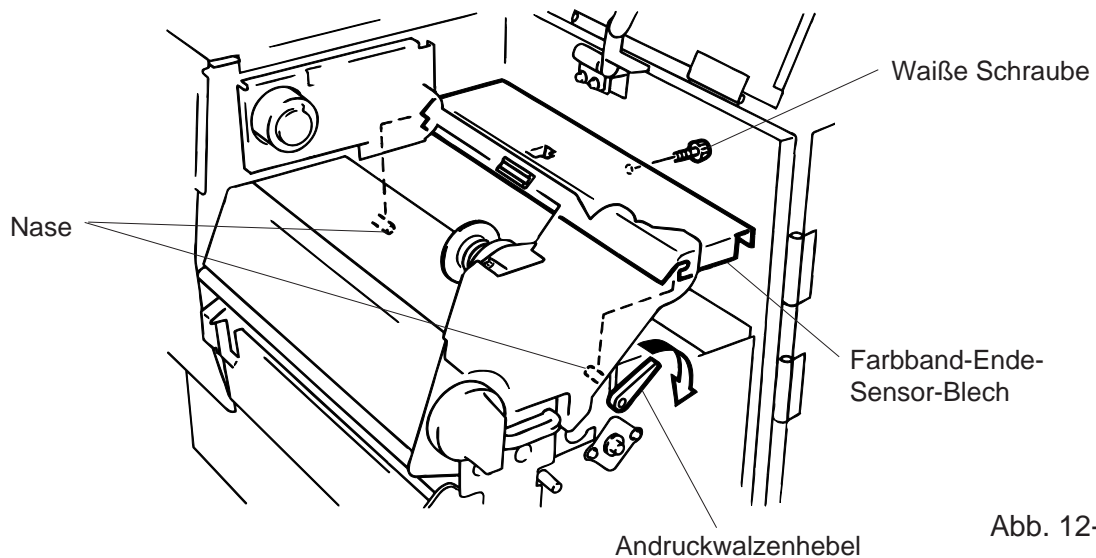
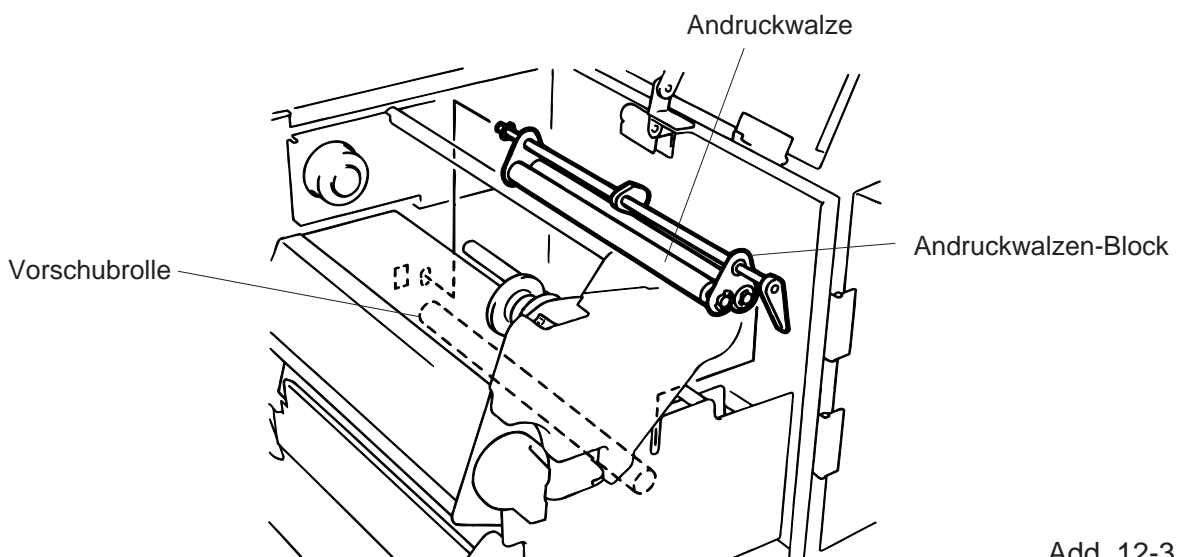


Abb. 12-2

HINWEIS: Stellen Sie sicher, daß beide Nasen des Farbband-Ende-Sensor-Blechtes in die dafür vorgesehenen Nuten passen.

9. Entfernen Sie den Andruckwalzen-Block zum Reinigen der Walzen. Verwenden Sie hierfür ein mit Alkohol getränktes Tuch.



Add. 12-3

10. Setzen Sie den Andruckwalzen-Block in umgekehrter Reihenfolge wieder ein.

12.2 UNTERHALB DER PAPIERFUHRUNG

1. Entfernen Sie die Papierführung.

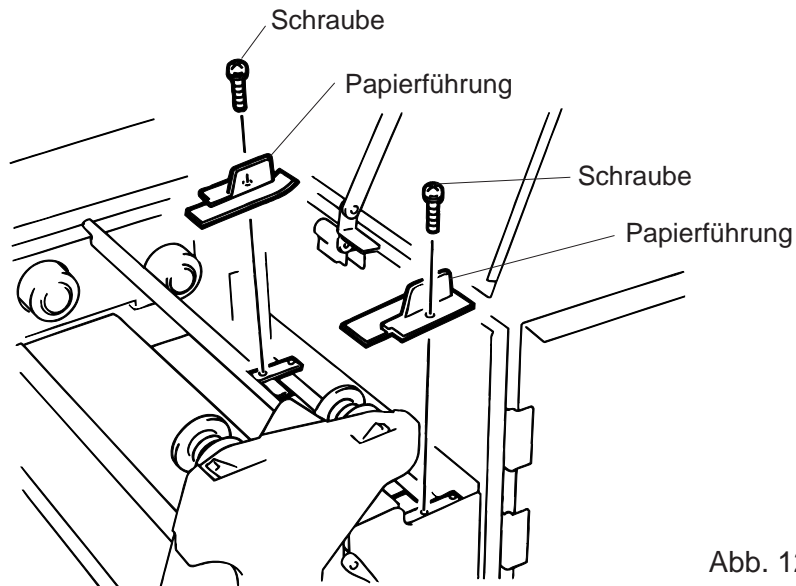


Abb. 12-4

2. Entfernen Sie das gestaute Material.
3. Säubern Sie die Papierführung von Staub und Kleber mit Hilfe eines mit Alkohol getränkten Tuches.
4. Setzen Sie die Papierführung wieder auf und befestigen Sie diese wieder mit den beiden Schrauben.

HINWEIS: Seien Sie vorsichtig, daß Sie nicht die Schrauben verlieren.

12.3 GEHÄUSE

Reinigen Sie das Gehäuse mit einem trockenen Tuch. Bei starker Verschmutzung kann auch ein ausgewrungenes Tuch mit Reiniger (Pril, Dor, etc.) verwendet werden.

HINWEIS: Besonders geeignet sind handelsübliche Reiniger für Büromaschinen, die elektro-statische Aufladungen verhindern.

ACHTUNG!

1. KEIN WASSER auf den Drucker schütten.
2. Reinigungsmittel NIEMALS DIREKT auf den Drucker schütten.
3. NIEMALS Verdünner oder andere flüchtige Lösungsmittel zur Reinigung von Plastikteilen und Sichtfenster verwenden.
4. Plastikteile und Sichtfenster NICHT mit Alkohol reinigen, da dies zu Verfärbung und Zerstörung führen kann.

12.4 BESEITIGUNG EINES PAPIERSTAUS

1. Drucker ausschalten.
2. Öffnen Sie die rechte Seitentür und den oberen Gehäusedeckel.
3. Stellen Sie den Kopfverriegelungsknopf auf Position "OPEN," um den Druckkopf zu entriegeln.
4. Entfernen Sie die weiße Schraube, öffnen den Kabelstecker und ziehen Sie die Papierführungsschiene heraus.
5. Entfernen Sie Material und Farbband.
6. Entfernen Sie das gestaute Material.
Benutzen Sie keinen scharfen Gegenstand, der den Drucker beschädigen könnte.
7. Reinigen Sie den Druckkopf und die Andruckwalzen sowie alle übrigen Druckerteile.
8. Setzen Sie des Teil ② der Papierführungsschiene auf den Material-Sensor und befestigen Sie diesen mit der weißen Schraube.

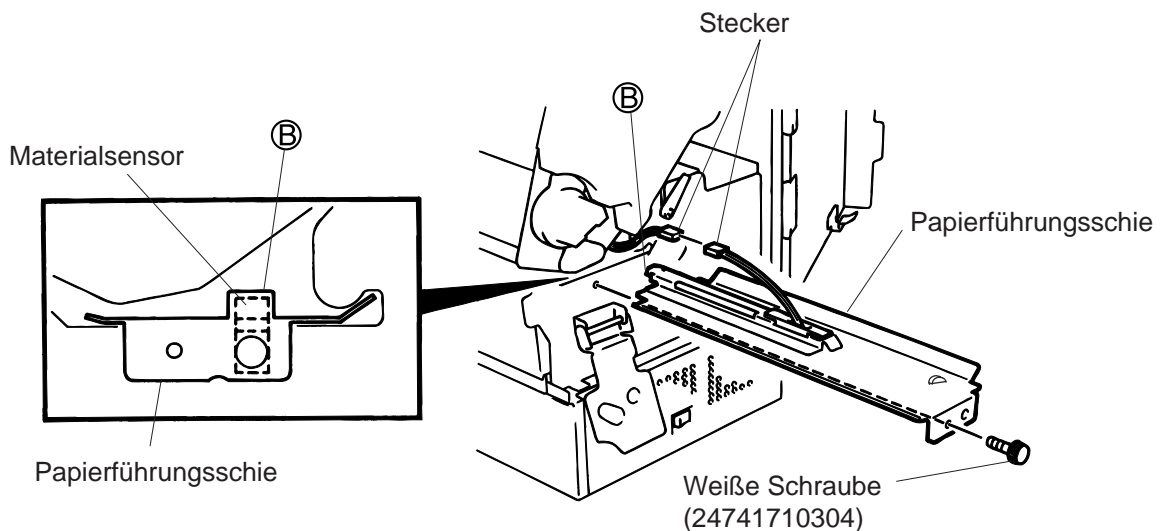


Abb. 12-5

9. Ein Papierstau im Messer kann durch ausgetretenen Kleber verursacht worden sein. Verwenden Sie daher nur zugelassene Qualitäten, entsprechend des TOSHIBA TEC Standards. Tritt dennoch häufiger ein Papierstau im Messer auf, so informieren Sie ihren zuständigen TOSHIBA TEC-Händler.

■ Reinigung des Messers

ACHTUNG!

1. Der Drucker muß ausgeschaltet sein.
2. Das Messer ist sehr scharf, daher ist bei der Reinigung **HÖCHSTE VORSICHT** geboten, um Verletzungen zu vermeiden.

1. Die zwei Gehäuseschrauben lösen und Messergehäuse abnehmen.
2. Weiße Schraube lösen und Papierführung entfernen.
3. Gestautes Papier, Staub und Schneidrückstände entfernen.
4. Messer mit einem trockenen Tuch reinigen.

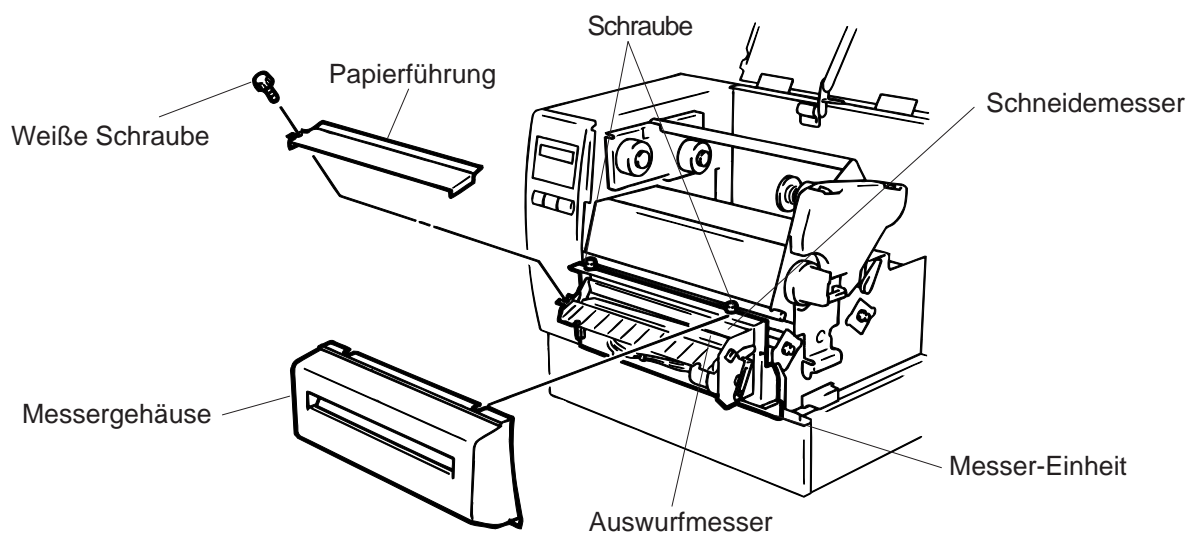


Abb. 12-7

5. Zusammenbau in umgekehrter Reihenfolge.

■ Säubern der Spenderkante

WARNUNG!

Schalten Sie das Gerät aus und ziehen Sie das Netzkabel.

1. Drücken Sie die Trägerpapier-Rückhalteklappe nach unten, um möglicherweise gestautes Material zu entfernen.
2. Säubern Sie die Spenderrolle und die Trägerpapierführung mit Ethyl-Alkohol.

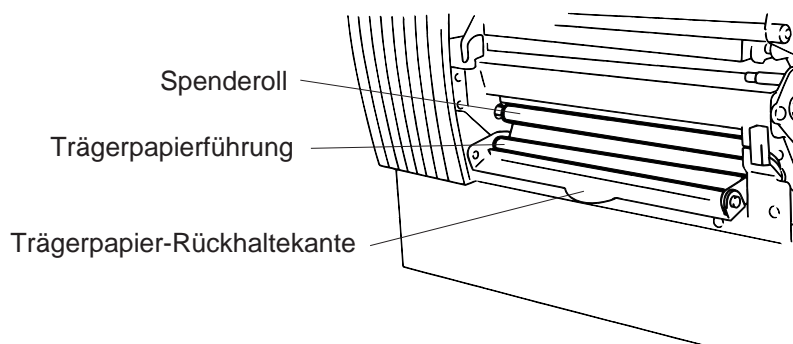
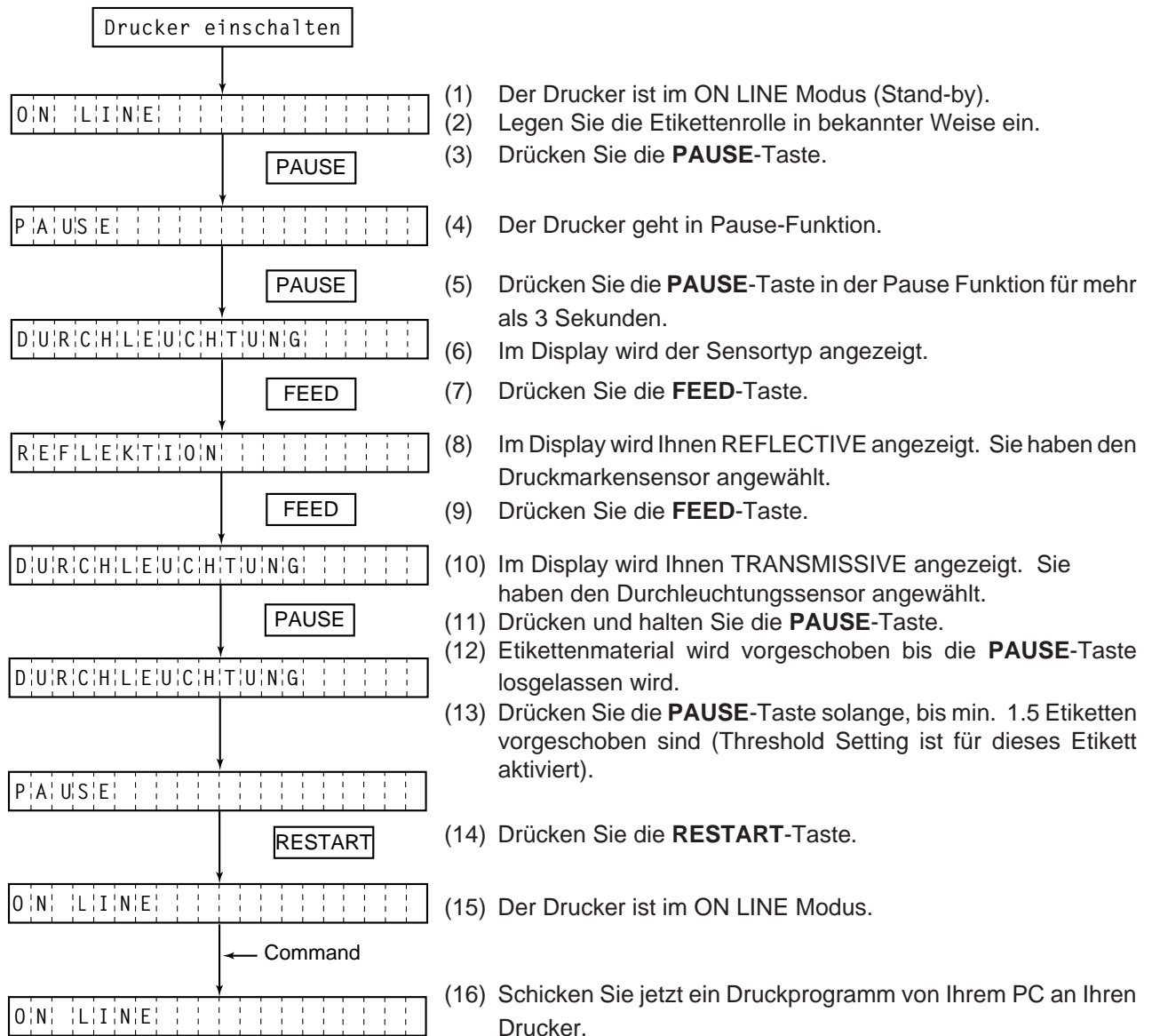


Abb. 12-8

12.5 SENSORANPASSUNG FÜR VORGEDRUCKTE ETIKETTEN

Der Durchleuchtungssensor misst die Menge des Lichts, die durch das Papier geht, und erkennt beim Etikettenzwischenraum, daß ein neues Etikett beginnt. Hierdurch ist es möglich, von Etikett zu Etikett die Druckposition konstant zu halten. Vorgedruckte Etiketten können diese Synchronisation stören und zu Fehlern ("Papierstau") führen. Beim Auftreten von "Papierstau" oder Falschpositionierung des Drucks gehen Sie bitte wie folgt vor:

■ Sensoranpassung



HINWEIS:

1. Drücken Sie die **PAUSE**-Taste weniger als 3 Sekunden, wird kein Etikettenschub zur Einmessung durchgeführt.
2. Um die Threshold-Setting-Funktion wirkungsvoll durchzuführen, müssen mindestens 2 Etiketten vorgeschoben werden. Zu wenig Etiketten führen zu einer fehlerhaften Einstellung.
3. Wenn der Druckkopf nicht geschlossen ist, ist die **PAUSE**-Taste außer Funktion.
4. Fehler wie Messerfehler oder Etikettenende werden während des Papiervoschubs nicht erkannt.
5. Aktivieren Sie den „Pre-Printed-Label Sensor“ im XS-Command.
6. Sollte Ihr Etikett nach Einstellen der Threshold-Setting-Funktion nicht sauber positionieren, justieren Sie bitte Ihren Durchleuchtungssensor im System Mode neu. Führen Sie bitte eine neue Aktivierung der Threshold Setting Funktion durch und überprüfen Sie die Auswahl des Sensors im XS-Command.

13. FEHLERBEHEBUNG

ACHTUNG!

Wenn mit den nachfolgend beschriebenen Maßnahmen ein Fehler nicht beseitigt werden kann, so schalten Sie den Drucker aus, ziehen das Netzkabel ab und nehmen Sie bitte Kontakt mit Ihrem zuständigen TOSHIBA TEC- Händler auf. Versuchen Sie nicht, den Drucker selbst zu reparieren.

Fehlermeldung	Ursache	Lösung
PAPIERSTAU ****	<ol style="list-style-type: none"> 1. Papier ist nicht richtig eingelegt. 2. Papierstau im Drucker. 3. Das verwendete Papier stimmt nicht mit dem ausgewählten Sensor überein. 4. Die Reflexmarke auf dem Karton stimmt nicht mit der Sensorposition überein. 5. Die tatsächliche Länge des Etiketts/ Anhängers stimmt nicht mit der programmierten überein. 6. Vordruckte Etiketten. 	<ol style="list-style-type: none"> 1. Papier richtig einlegen. → Taste RESTART drücken. 2. Papierstau entfernen und unbeschädigtes Papier richtig einlegen. → Taste RESTART drücken. 3. Drucker aus-und einschalten. → Per Programm den richtigen Sensor auswählen. → Taste FEED drücken. 4. Sensor richtig positionieren. → Taste RESTART drücken. 5. Drucker aus-und einschalten. → Per Programm die richtige Länge setzen. → Taste FEED drücken. 6. Nehmen Sie die Sensor-Anpassung für vordruckte Etiketten vor, wie unter 12-6 beschrieben.
KOPF OFFEN ****	Vorschub oder Druck wurde verhindert, da der Druckkopf geöffnet ist oder die Kopfverriegelung nach rechts gedreht wurde.	Verriegeln Sie den Lopf. → Taste RESTART drücken.
PAPIERENDE ****	Das Ende der Vorratsrolle ist erreicht.	Neues Material einlegen. → Taste RESTART drücken.
FARBANDENDE ****	Das Ende des Farbbandes ist erreicht.	Neues Farbband einlegen. → Taste RESTART drücken.

Fehlermeldung	Ursache	Lösung
KOPF UEBERHITZT	Der Druckkopf wurde zu heiß.	Drucker ausschalten und abkühlen lassen.
KOPF DEFEKT	Mehrere Elemente des Druckkopfes sind defekt.	1. Mit RESTART kann weitergedruckt werden. 2. Kopf muß ausgetauscht werden.
FARBAND- FEHLER ****	Der Farbandsensor weist einen Defekt auf.	Drucker ausschalten und mit dem zuständigen TOSHIBA TEC Händler Kontakt aufnehmen.
MESSERFEHLER ****	Papierstau im Messer	Gestautes Material entfernen und Material wieder einlegen. → RESTART Taste drücken.
FLASH FEHLER	Fehler beim Beschreiben der Flash Memory Karte oder ATA Karte	1. Drucker aus-und einschalten und erneut versuchen. 2. Eine andere Karte versuchen. 3. Kundendienst anfordern.
FORMATFEHLER	Fehler beim Formatieren der Flash Memory Karte oder ATA Karte.	1. Drucker aus-und einschalten und erneut versuchen. 2. Eine andere Karte versuchen. 3. Kundendienst anfordern
FLASH ZU KLEIN	Die max. Kapazität der Speicherkarte wurde erreicht.	Tauschen Sie die Flash Memory Karte aus. Senden Sie alle Daten erneut auf die neu eingesteckte Flash Memory Karte. (Im Fall der Flash Memory Karte, es können nur 1MB und 4MB Karten verwendet werden. B-682: nur 4 MB)
ÜBERTRAGUNGSFEHLER	In der Kommunikation zum PC/Host ist ein Fehler aufgetreten.	Drucker aus-und einschalten und erneut versuchen, oder die RESTART Taste drücken. Syntaxfehler korrigieren und erneut übertragen.

Fehlermeldung	Ursache	Lösung
z.B.) PC001;0A00, Command error 0300, 2, 2	Der Drucker überprüft die Syntax der empfangenen Befehle und zeigt die ersten 16 Bytes des fehlerhaften Befehls im Display. Die Steuerzeichen ESC, LF and NUL werden nicht angezeigt.	Syntaxfehler korrigieren und erneut übertragen.
Andere Fehlermeldungen	Weisen auf Hard-oder Softwarefehler hin.	Wenn der Fehler durch Aus/Einschalten nicht beseitigt werden kann, Kundendienst anfordern.
<p>HINWEIS: Normalerweise lassen sich alle Fehler durch Drücken der RESTART Taste beheben. Geht dies nicht, so schalten Sie den Drucker aus und wieder ein. Wurde der Drucker aus-/eingeschaltet, so sind alle Daten und Zähler gelöscht.</p> <p>**** Zeigt im Zusammenhang mit Fehlermeldungen die noch zu druckende Anzahl von Etiketten/Anhängern an.</p>		

Problem	Lösung
Kein Druck	<ol style="list-style-type: none"> 1. Prüfen, ob Papier und Farbband richtig eingesetzt sind. 2. Prüfen, ob Druckkopf richtig verriegelt wurde. 3. Prüfen, ob Verbindung zwischen Host und Drucker richtig ist.
Fehlende Druckpunkte	Druckkopf verschmutzt. → Druckkopf reinigen. Wenn erforderlich, Kundendienst anfordern.
Schlechtes oder unsauberes Druckbild.	<ol style="list-style-type: none"> 1. Druckkopf verschmutzt. → Druckkopf reinigen. 2. Falsches oder fehlerhaftes Farbband. → Neues Farbband einsetzen. 3. Schlechtes Papier. → Anderes Papier verwenden.
Drucker läßt sich nicht einschalten	<ol style="list-style-type: none"> 1. Prüfen, ob Netzkabel richtig eingesteckt ist. 2. Prüfen, ob die Sicherung im Drucker ganz ist. 3. Prüfen Sie z.B. mit einem anderen Gerät, ob die Netzsteckdose Spannung führt. Wenn erforderlich, Kundendienst anfordern.
Drucker schneidet nicht.	Prüfen Sie, ob ein Papierstau im Messer vorliegt. Wenn erforderlich, Kundendienst anfordern.
Unsaubere oder ausgefranste Schnittkanten	<ol style="list-style-type: none"> 1. Messer reinigen. 2. Messer sind verschlissen, Messer sind verschlissen. → Kundendienst anfordern.

VORSICHT:

- Schallemission: unter 70dB (A) nach DIN 45635 (oder ISO 7779)
- Die für das Gerät vorgesehene Steckdose muß in der Nähe des Gerätes und leicht zugänglich sein.

TEC

Impresora térmica TEC

B-670/680 SERIES

Manual de instrucciones

Mantenimiento

La seguridad personal en el manejo y mantenimiento de los equipos es extremadamente importante. Las Advertencias y Precauciones necesarias para el manejo seguro están contempladas en este manual. Se deben leer y entender todas las advertencias y precauciones contenidas en este manual antes de manejar o mantener el equipo.

No intente efectuar reparaciones o modificaciones en este equipo. Si ocurriese un fallo que no se puede rectificar utilizando este manual, apague la máquina, desconecte la alimentación y contacte con su Distribuidor Autorizado TOSHIBA TEC para la asistencia técnica.

Significado de cada símbolo



Este símbolo indica puntos de advertencia (incluyendo precauciones). El contenido específico de la advertencia está dibujado en el interior del \triangle símbolo. (El símbolo de la izquierda indica una precaución general.)



Este símbolo indica acciones prohibidas (puntos prohibidos). El contenido específico prohibido está dibujado en el interior o cerca del \odot símbolo. (El símbolo de la izquierda indica que no debe realizarse el desmontaje.)



Este símbolo indica las acciones que deben realizarse. Las instrucciones específicas están dibujadas en el interior del \bullet símbolo. (El símbolo de la izquierda indica que la clavija del cable de alimentación debe desconectarse de la toma de corriente.)

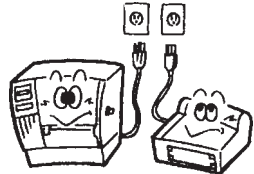


ADVERTENCIA

Esto indica que existe un riesgo de que se produzca la **muerte** o **heridas graves** si no se sigue esta indicación y las máquinas se manejan de forma incorrecta.



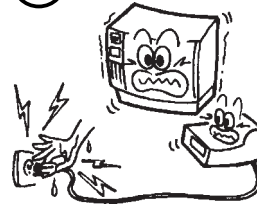
Cualquier otra tensión (CA) que no sea la especificada está prohibida.



■ No utilice otras tensiones diferentes de la tensión (CA) especificada en la placa de características, porque esto podría causar un **incendio** o una **sacudida eléctrica**.



Prohibido



■ No enchufe ni desenchufe las clavijas de los cables de alimentación con las manos mojadas porque esto puede causar una **sacudida eléctrica**.



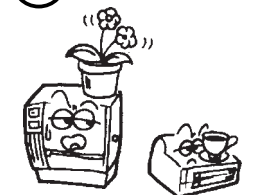
Prohibido



■ Si las máquinas comparten la misma toma de corriente con cualquier aparato eléctrico que consuma grandes cantidades de energía, la tensión fluctuará considerablemente cada vez que funcionen estos aparatos. Asegúrese de suministrar una toma de corriente exclusiva para las máquinas porque en caso contrario éstas tal vez **funcionen mal**.



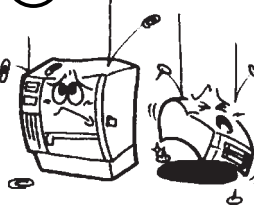
Prohibido



■ No ponga objetos metálicos ni recipientes llenos de agua tales como floreros, macetas, jarras, etc. encima de las máquinas. Si los objetos metálicos o los líquidos derramados entran en las máquinas, esto tal vez cause un **incendio** o una **sacudida eléctrica**.



Prohibido



■ No introduzca ni deje caer objetos metálicos, inflamables u otros extraños dentro de las máquinas a través de las ranuras de ventilación, esto podría causar un **incendio** o una **sacudida eléctrica**.



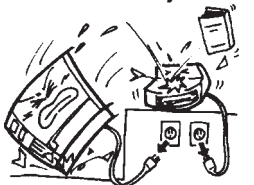
Prohibido



■ No trate de reparar o modificar las máquinas usted mismo, porque esto podría causar un **incendio** o una **sacudida eléctrica**. Póngase en contacto con su agente de ventas (o agente de mantenimiento y servicio) para cualquier cuestión relacionada con las reparaciones.



Desconecte la clavija.




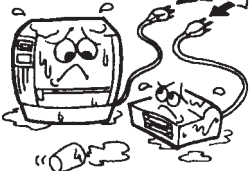

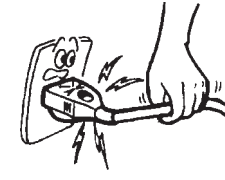

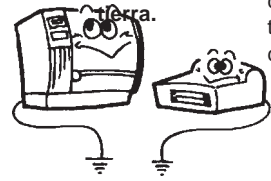

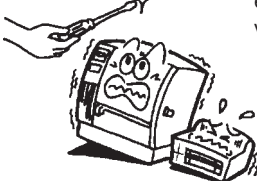
■ Si se caen las máquinas o se estropean sus cajas, apague primero las máquinas, desconecte las clavijas de alimentación de la toma de corriente y póngase en contacto con su Distribuidor Autorizado TOSHIBA TEC para que le proporcione asistencia. La utilización continua de las máquinas bajo estas condiciones puede causar un **incendio** o una **sacudida eléctrica**.



Desconecte la clavija.



■ La utilización continua de máquinas en mal estado-cuando producen humo u olores extraños, por ejemplo-puede provocar incendios o sacudidas eléctricas. En estos casos, apague inmediatamente la impresora y desconecte los cables de alimentación de la toma de corriente. Luego, póngase en contacto con su Distribuidor Autorizado TOSHIBA TEC para que le proporcione asistencia.

 <p>Desconecte la clavija.</p>  <p>■ Si entran objetos extraños (fragmentos de metal, agua, líquidos) en las máquinas, apague primero las máquinas, desconecte las clavijas de los cables de alimentación de la toma de corriente y luego póngase en contacto con su Distribuidor Autorizado TOSHIBA TEC para que le proporcione asistencia.</p>	 <p>Desconecte la clavija.</p>  <p>■ Cuando desenchufe los cables de alimentación, asegúrese de sujetar clavija y tirar de ella. Tirar del cable puede ser la causa de que éste se rompa o de queden expuestos los conductores internos, lo que podría causar un incendio o una sacudida eléctrica.</p>
 <p>Conecte el cable de puesta a tierra.</p>  <p>■ Asegúrese de hacer la conexión de las tomas de tierra. Todas sus conexiones deben tener toma de tierra. Una derivación puede ser la causante de fuego o cortocircuitos.</p>	 <p>No se debe desmontar.</p>  <p>■ No intente desmontar o reparar la máquina por sí sólo, ya que puede esponerse a altas tempertaturas, altos voltajes o zonas cortantes.</p>



PRECAUCIÓN

Esto indica que existe un riesgo de que se produzcan **heridas** personales o **daños** en objetos si no se sigue esta indicación y las máquinas se manejan de forma incorrecta.

Precauciones generales

Los puntos que se detallan a continuación le ayudarán a asegurarse de que la máquina funcionará correctamente.

- Procure evitar situar la impresora en lugares con las siguiente características:
 - * Temperatura fuera de especificaciones
 - * Luz directa del sol
 - * Humedad alta.
 - * Tomas de corriente compartidas
 - * Tomas de tensión compartidas
 - * Suciedad/Gas
- Limpiar la tapa con un paño seco o ligeramente humedecido con jabón. Nunca usar disolventes u otros productos semejantes para limpiar las partes plásticas.
- UTILICE SÓLO EL PAPEL Y CINTA RECOMENDADOS POR TOSHIBA TEC.
- NO ALMACENE el papel ni las cintas en lugares expuestos a luz solar directa, altas temperaturas, humedad, polvo o gas.
- Asegúrese de colocar la impresora en una superficie lisa.
- No se asegura el correcto almacenamiento de los datos en caso de que se produzca un error en la impresora.
- Evite utilizar esta máquina conectada a la misma fuente de corriente que un equipo de alto voltaje que pueda causar interferencias.
- Desconecte la impresora cada vez que la vaya a revisar o limpiar.
- Mantenga el área de trabajo libre de cargas electrostáticas.
- No ponga objetos pesados encima de las máquinas ya que éstos pueden perder el equilibrio y caerse causando **heridas**.
- No bloquee las ranuras de ventilación de las máquinas porque esto hará que se acumule calor en el interior de las máquinas y podrá causar un **incendio**.
- No se apoye ni deje nada sobre la impresora, ya que ésta podría caerse y ocasionarle daños.
- Tener cuidado de no cortarse con la cuchilla de la impresora.
- Desconecte la impresora cuando no la vaya a utilizar durante un periodo largo de tiempo.

Compromiso de Mantenimiento

- Utilice nuestros servicios de mantenimiento.
Después de comprar la impresora, contacte con su Distribuidor Autorizado TOSHIBA TEC al menos una vez al año para su mantenimiento y limpieza. En caso contrario, se puede almacenar suciedad en la impresora y causar un incendio o mal funcionamiento. La limpieza es particularmente efectiva antes de las estaciones lluviosas húmedas.
- Nuestro servicio de mantenimiento realiza periódicamente chequeos y otros trabajos necesarios para mantener la calidad de impresión, el correcto funcionamiento y prevenir accidentes de antemano. Para más detalles, consulte a su Distribuidor Autorizado TOSHIBA TEC.
- Uso de insecticidas y otros productos químicos.
No exponga la impresora a insecticidas u otros disolventes volátiles, puesto que pueden deteriorar la carcasa y otros elementos o provocar el desprendimiento de la pintura.

INDICE

	Page
1. INTRODUCCION	S1- 1
1.1 DESCRIPCION DEL MODELO	S1- 1
1.2 ACCESORIOS	S1- 1
2. ESPECIFICACIONES	S2- 1
2.1 IMPRESORA	S2- 1
2.2 OPCIONES	S2- 2
2.3 PAPEL	S2- 3
2.4 CINTA	S2- 3
3. VISTA GENERAL	S3- 1
3.1 VISTA FRONTAL Y POSTERIOR DE LA IMPRESORA	S3- 1
3.2 PANEL DE OPERACIONES	S3- 1
4. CONFIGURACION DE LOS MICROINTERRUPTORES INTERNOS (DIP SW)	S4- 1
5. PROCESO DE INSTALACION	S5- 1
5.1 REQUERIMIENTOS DE LA IMPRESORA	S5- 1
5.2 INSTALACION	S5- 1
6. INSTALACION DE LA IMPRESORA	S6- 1
6.1 CONEXION DE LOS CABLES	S6- 1
6.2 INSTALACION DEL SOPORTE DE PAPEL	S6- 1
7. COLOCACION DE LA CINTA	S7- 1
8. CARGA DE PAPEL	S8- 1
9. COMO INTRODUCIR LA TARJETA DE MEMORIA (OPCIONAL)	S9- 1
10. COMO INTRODUCIR LA TARJETA OPCIONAL PCMCIA	S10- 1
11. ACERCA DE LOS CONSUMIBLES	S11- 1
12. MANTENIMIENTO	S12- 1
12.1 LIMPIEZA	S12- 1
12.2 LIMPIEZA DE LAS GUIAS DEL PAPEL	S12- 3
12.3 PANEL Y CUBIERTAS	S12- 3
12.4 COMO ELIMINAR EL PAPEL ATASCADO	S12- 4
12.5 CONFIGURACION DEL UMBRAL DE ETIQUETA	S12- 6
13. SOLUCION DE ERRORES	S13- 1

ATENCIÓN:

1. *Este manual no puede ser copiado total o parcialmente sin permiso escrito.*
2. *El contenido de este manual puede ser cambiado sin previo aviso.*
3. *Para cualquier consulta o aclaración diríjase a su distribuidor autorizado TOSHIBA TEC.*

ATENCIÓN!

Este es un producto de al clase A. En ambientes domésticos éste producto puede causar radio Interferencias en cuyo caso el usuario deberá tomar las medidas oportunas.

PRECAUCION:

Antes de manipular cualquier pieza de la impresora en movimiento (motors, rodillos, etc.), desenchufe la impresora de la red a fin de evitar que los dedos, joyas, ropa, etc, puedan engancharse en ellas.

1. INTRODUCCION

Gracias por elegir la impresora de transferencia térmica B-672/682 de TEC. Esta nueva generación de impresoras es líder en precio y especificaciones, dado que incorpora lo último en hardware. Su nuevo diseño contempla un cabezal de una densidad de 12 puntos/mm (305 dpi) que imprime cerca de su borde y puede alcanzar hasta 203.2 mm/sec (8"/seg).

Otras opciones son los módulos de corte y despegado automático de la etiqueta.

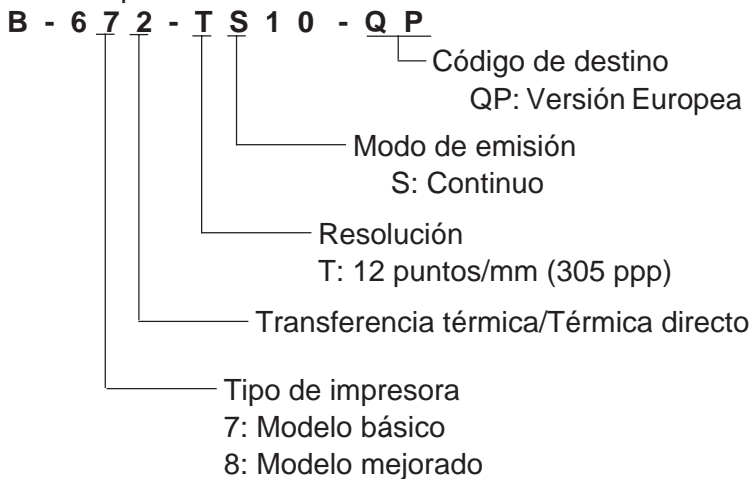
Este manual contiene información sobre la configuración general y el mantenimiento de la impresora B-672/682, por lo que rogamos sea leído atentamente para obtener el máximo rendimiento de su impresora. Si tuviese alguna cuestión referente a la impresora, por favor consulte este manual.

Asegúrese de tenerlo a mano para futuras consultas.

1.1 DESCRIPCION DEL MODELO

- B-672-QP
- B-682-TS10-QP

Descripción del modelo

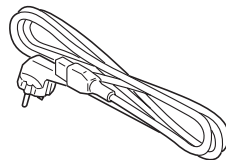


1.2 ACCESORIOS

Manual que ya posee
(EO1-33016)



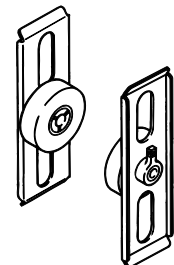
Cable de
alimentación



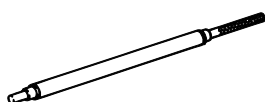
Lápiz limpiador
(24089500013)



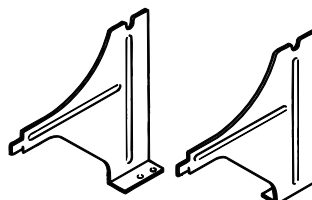
Sujección lateral del
rollo de papel



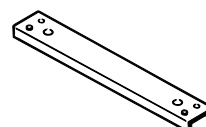
Eje del rollo
de papel



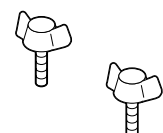
Soportes del rollo
de papel



Base del rollo
de papel



Tornillos de sujeción
(M-4x6)



2. ESPECIFICACIONES

2.1 IMPRESORA

Modelo	B-672/682-QP
Características	
Tensión de alimentación	Detección automática: 85 - 138 V, 50/60 Hz 187 - 276 V, 50/60 Hz
Consumo	Asegúrese de usar un cable de alimentación estándar 1.4 A, Máximo 260 W (Parada: 270 mA, máximo 26 W)
Rango de temperaturas	5°C ~ 40°C
Humedad relativa	25% ~ 85%RH (no condensado)
Cabezal de impresión	Cabezal térmico de 12 puntos/mm (305 dpi)
Método de impresión	Transferencia/Térmica directa
Velocidad de impresión	76.2 mm/seg. (3 pulg./seg.), 101.6 mm/seg. (4 pulg./seg.), 203.2 mm/seg. (8 pulg./seg.)
Ancho de impresión	170.6 mm (6.72 pulgadas)
Modos de emisión	Continuo, con dispensador automático o con cortador (Tanto el corte como el dispensado automático sólo es posibles si se posee el módulo correspondiente)
Pantalla de mensajes	20 dígitos x 1 línea (LCD)
Dimensiones	437 mm (ancho) x 282 mm (fondo) x 395 mm (alto)
Peso	B-672: 25 kg (Sin cinta ni papel) B-682: 26 kg (Sin cinta ni papel)
Formatos de códigos de barras	JAN8, JAN13, EAN8, EAN8+2 dígitos, EAN8+5 dígitos EAN13, EAN13+2 dígitos, EAN13+5 dígitos UPC-E, UPC-E+2 dígitos, UPC-E+5 dígitos UPC-A, UPC-A+2 dígitos, UPC-A+5 dígitos MSI, ITF, NW-7, CODE39, CODE93, CODE128 EAN128, 2 de 5 industrial, Customer Bar Code, POSTNET, KIX CODE, RM4SCC (ROYAL MAIL 4STATE CUSTOMER CODE)
Código bidimensional	Data Matrix, PDF417, QR Code, Maxi Code, Micro PDF417, CP Cord (sólo B-672)
Fuentes de letras	Times Roman (6 tipos), Helvetica (6 tipos), Presentation (1 tipo), Letra Gótica (1 tipo), Prestige Elite (2 tipos), Courier (2 tipos), OCR (2 tipos), Caracteres imprimibles (disponibles 2-byte para cada carácter: sólo B-682), Fuente Outline (B-672: 1 tipo, B-682: 4 tipos), Fuentes de precios (3 tipos: sólo B-682)
Rotaciones	0°, 90°, 180°, 270°
Interfaces	
Estandar	Interfaz serie (RS-232C) Interfaz paralelo (Centronics) Interfaz de expansión I/O
Opcional	Interfaz de tarjeta de memoria (sólo B-672) Interface PCMCIA (sólo B-682)

* *Data Matrix™* is a trademark of International Data Matrix, Inc.
PDF417 is a trademark of Symbol Technologies, Inc.

2.2 OPCIONES

Nombre de la opción	Tipo	Uso
Unidad cortadora	B-4208-QM	Permite parar la impresión y cortar la etiqueta.
Módulo despegador	B-4908-H-QM	Hace que la impresora despegue la etiqueta automáticamente, no imprimiendo la siguiente hasta que ésta haya sido retirada de la máquina.
Ampliación de memoria D-RAM (Sólo B-672)	_____	Chip RAM disponible con un buffer de imagen desde 2MB.
Memoria rápida (Sólo B-672)	_____	Tarjeta de memoria Flash (1MB y 4MB) para almacenar logotipos, tablas de caracteres y formatos de etiquetas.
Placa interfaz PCMCIA (Sólo B-682)	B-8700-PC-QM	Esta placa permite utilizar las siguientes tarjetas PCMCIA. <ul style="list-style-type: none"> • Tarjeta LAN: 3 COM EtherLink®III (recomendado) 3 COM 3CCE589ET (recomendado) • Tarjeta ATA: Conforme al estándar de tarjetas ATA para PC • Tarjeta de memoria Flash: Tarjetas de 4 MB (ver página 10-1)

2.3 PAPEL

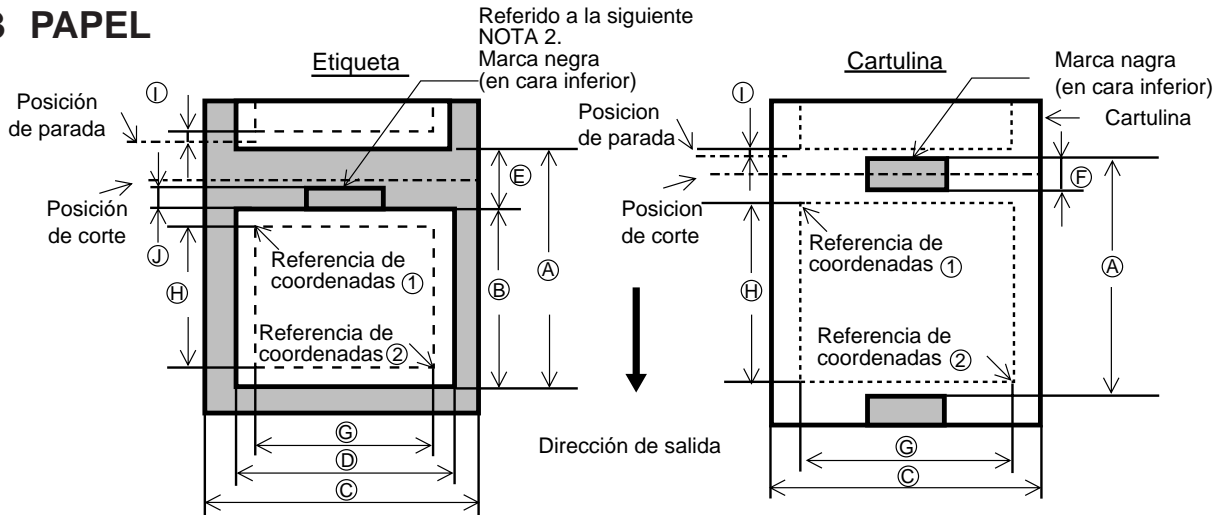


Fig. 2-1

[Unidad: mm]

Mozdo de emisión		Continuo	Despegado automático	Con cortador		
Especificación						
A: Espacio entre finales de etiquetas/ cartulinas	B-672	10.00 ~ 999.0	25.4 ~ 999.0	Etiqueta: 38 ~ 999.0 Cartulina: 25.4 ~ 999.0		
	B-682	10.00 ~ 1709.0	25.4 ~ 1709.0	Etiqueta: 38 ~ 1709.0 Cartulina: 25.4 ~ 1709.0		
B: Longitud de la etiqueta	B-672	7.5 ~ 996.5	22.9 ~ 996.5	25.0 ~ 993.0		
	B-682	7.5 ~ 1707.0	22.9 ~ 1707.0	25.0 ~ 1703.0		
C: Ancho del papel porta etiquetas/cartulina		84.0 ~ 175.0 (Referido a la siguiente NOTA 3.)				
D: Ancho de la etiqueta		81.0 ~ 172.0				
E: Espacio entre etiquetas		2.5 ~ 20.0	2.5 ~ 20.0	6.0 ~ 20.0		
F: Longitud de la marca negra (Cartulina)		2.5 ~ 10.0				
G: Ancho de la zona efectiva de impresión		10.0 ~ 170.6				
H: Longitud de la zona efectiva de impresión	Etiqueta	Estandar	B-672	5.5 ~ 298.6	20.9 ~ 298.6	23.0 ~ 298.6
		Max. módulo de memoria	B-682	5.5 ~ 1705.0	20.9 ~ 1705.0	23.0 ~ 1705.0
			B-672	5.5 ~ 981.3	20.9 ~ 981.3	23.0 ~ 981.3
	Cartulina	Estandar	B-672	8.0 ~ 298.6	23.4 ~ 298.6	23.4 ~ 298.6
			B-682	8.0 ~ 1705.0		23.4 ~ 1705.0
		Max. módulo de memoria	B-672	8.0 ~ 981.3	23.4 ~ 981.3	23.4 ~ 981.3
I: Velocidad de impresión arriba/abajo		1.0				
J: Longitud de la marca negra (Etiqueta)		Referido a la siguiente NOTA 2.				
Velocidad máxima con impresión "On the Fly"	Estandar	B-672	149.3			
		B-682	852.0			
		B-672	490.6			
Diámetro de salida		Ø200 Max.				
Espesor	Etiqueta	0.13 ~ 0.17				
	Cartulina	0.10 ~ 0.17				

NOTAS:

- Evite el uso de papel que no cumpla estas especificaciones.
- Quando se hagan las marcas negras en los rollos de etiquetas hay que tener en cuenta los siguientes requerimientos.
Si la separación entre etiquetas es menor de 4 mm:
La longitud de la marca negra debe ser mayor que la separación entre etiquetas.
Si la separación entre etiquetas es 4 mm o más:
La longitud de la marca negra no tiene que solaparse más de 4 mm con la siguiente etiqueta.
- Sin embargo, cuando la velocidad de impresión es de 8"/seg., el ancho incluyendo el papel soporte será de 84 a 150 mm.
Si se utiliza el módulo opcional cortador o el de despegado, el ancho incluyendo papel soporte será de 101.6 a 175 mm.
- Utilizar papel más estrecho que el ancho mínimo especificado puede acortar la vida del cabezal.
- Si se imprime a 8 pulg./seg en etiquetas térmicas, ajuste la posición de impresión al menos a 1 mm dentro de la etiqueta.

2.4 CINTA

Tipo	Tipo de carrete
Ancho	115 mm ~ 185 mm (Referido a la NOTA 5.)
Longitud	300 m
Diámetro salida	Ø72 mm (max.)

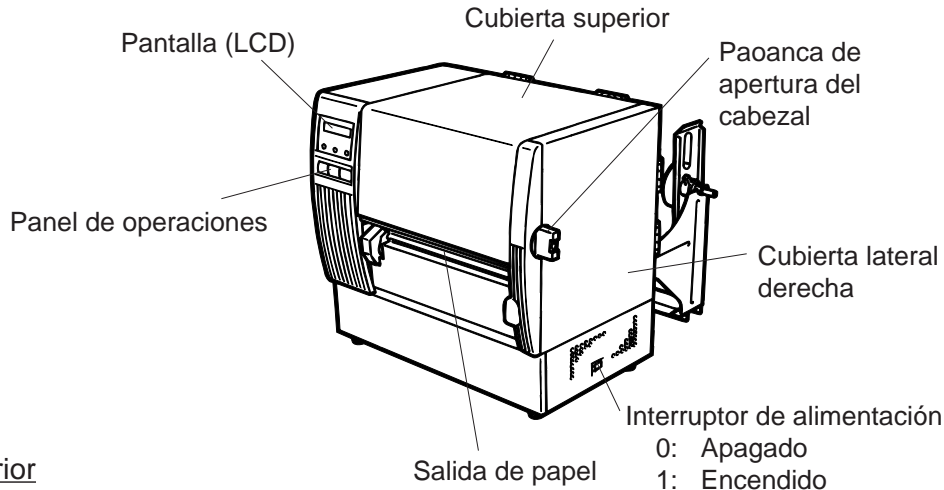
NOTAS:

- Se llama "On the Fly" al tipo de impresión que imprime y genera imagen al mismo tiempo.
- Se recomienda el uso de papel y cintas recomendadas por TOSHIBA TEC con el fin de alargar la vida del cabezal de impresión.
- Al usar corte en la impresión asegúrese de que la longitud de la etiqueta B más el espacio entre etique-tas E supere los 35 mm.
- Para evitar que la cinta se arrugue, utilice cinta de al menos 5 mm más ancha que el papel. Sin embargo, demasiada diferencia entre el ancho de los dos puede causar arrugas de la cinta.
- Sin embargo, cuando la velocidad de impresión es de 8"/seg., el ancho será de 115 a 160 mm.

3. VISTA GENERAL

3.1 VISTA FRONTAL Y POSTERIOR DE LA IMPRESORA

Vista frontal



Vista posterior

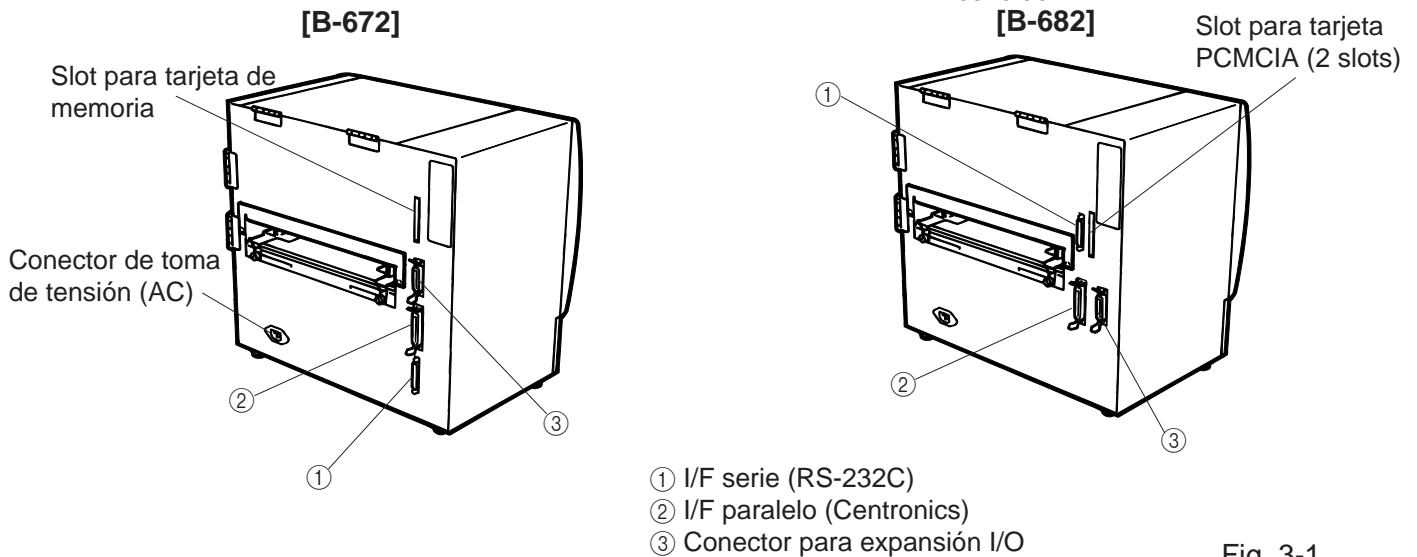


Fig. 3-1

3.2 PANEL DE OPERACIONES

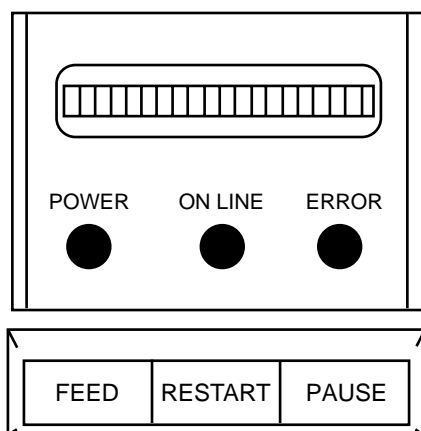


Fig. 3-2

PANTALLA (LCD)

Cuando la impresora está encendida y lista para imprimir, el mensaje "ON LINE" aparece en la pantalla.

INDICADOR DE ENCENDIDO (Verde)

Se ilumina cuando la impresora se encuentra encendida.

INDICADOR DE "ON LINE" (Verde)

- 1) Parpadea cuando la impresora se encuentra comunicando con un ordenador.
- 2) Iluminado cuando la impresora se encuentra imprimiendo.

INDICADOR DE ERROR (Rojo)

Se ilumina cuando ocurre un error de comunicación o cuando la impresora no es manipulada correctamente.

PULSADOR DE "FEED"

Al pulsarlo produce un avance del papel.

PULSADOR DE "RESTART"

Reinicia la impresora cuando esta se encuentra atascada o se ha producido algún error. Usado para fijar el umbral de etiqueta. (Ver pág. 12-6).

PULSADOR DE "PAUSE"

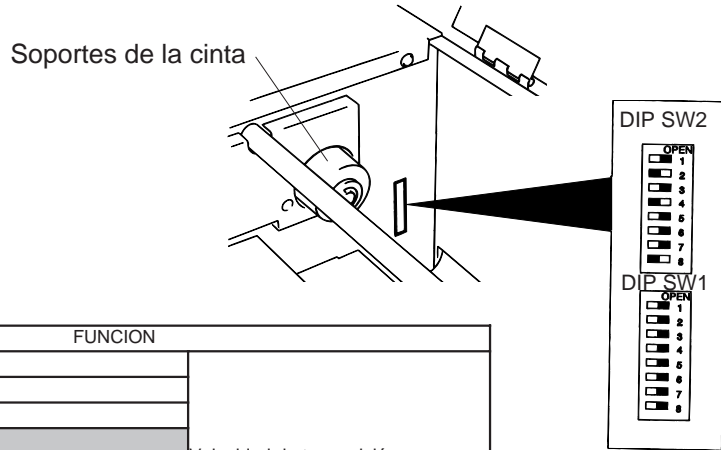
Produce una pausa en la impresión. Muestra el mensaje de "PAUSE" (pausa). Usado para configurar el umbral de etiqueta. (Ver pág. 12-6)

4. CONFIGURACION DE LOS MICROINTERRUPTORES INTERNOS (DIP SW) (Sólo B-672)

Los microinterruptores internos se hallan situados a la derecha de los soportes de la cinta.

ATENCIÓN!

Asegúrese de apagar la impresora antes de manipular los microinterruptores internos.



(1) Bloque 2

No.	ON/OFF		FUNCION	
	1	2		
1	OFF	OFF	2400 BPS	Velocidad de transmisión
	ON	OFF	4800 BPS	
2	OFF	ON	9600 BPS	
	ON	ON	19200 BPS	
3	OFF	1 bit	Longitud del bit de stop	
	ON	2 bits		
4	OFF	7 bits	Longitud del dato	
	ON	8 bits		
5	OFF	Sin	Chequeo de paridad	
	ON	Con		
6	OFF	Par	Control de paridad (activo cuando el microinterruptor 5 está en ON)	
	ON	Impar		
7	7	8	Protocolo de comunicación	
	OFF	OFF		XON (al encender la impresora) XOFF (al apagar la impresora)
	ON	OFF		READY/BUSY (DTA) XON (al encender la impresora) XOFF (al apagar la impresora) READY/BUSY (RTS) XON (al encender la impresora) XOFF (al apagar la impresora)
	OFF	ON		XON/XOFF+READY/BUSY XON (al encender la impresora) XOFF (al apagar la impresora)
8	ON	ON	XON (al encender la impresora) XOFF (al apagar la impresora)	

Fig. 4-1

(2) Bloque 1

No.	ON/OFF			FUNCION	
	2	3	4		
1	OFF			Debe estar siempre en OFF	
	ON				
2	OFF	OFF	OFF	Inglés	Idioma en el que saldrán los mensajes de error en la pantalla LCD.
	ON	OFF	OFF	Alemán	
	OFF	ON	OFF	Francés	
	ON	ON	OFF	Holandés	
3	OFF	OFF	ON	Español	
	ON	OFF	ON	Japonés	
4	OFF	ON	ON	Italiano	
	ON	ON	ON	No usado	
5	OFF			Desactivado	Autoavance después de emisión con corte (Ver página 8-4)
	ON			Activado	
6	OFF			Debe estar siempre en OFF	
	ON				
7	OFF			Debe estar siempre en OFF.	
	ON			Selección del sensor de panel	
8	OFF			Debe estar siempre en OFF.	
	ON				

NOTAS: La configuración por defecto es la señalada con fondo oscuro. "OFF" significa abierto.

5. PROCESO DE INSTALACION

5.1 REQUERIMIENTOS DE LA IMPRESORA

Para el correcto funcionamiento de la impresora B-672/682 debe cumplirse que:

- Su sistema (ordenador) debe tener una salida serie o paralelo (centronics).
- Para la comunicación de la impresora con su sistema (ordenador) se debe usar un cable según la normativa RS-232C o Centronics, dependiendo del puerto al que conecte la impresora.
 - (1) Cabe RS-232C 25 pines
 - (2) Cable Centronics 36 pines
- Para la impresión de formatos y etiquetas, estos deben haber sido generados previamente por medio de los comandos de programación de la máquina, explicados en el manual de programación de la impresora.

■ Cables de Conexión

Para evitar radiaciones e interferencias de ruido eléctrico, los cables de conexión deben reunir los siguientes requisitos:

- Totalmente aislados con metal o conectores metalizados.
- Ser lo más cortos posibles.
- No debe estar sujeto a cables de alimentación.
- No debe estar atado a circuitos de alimentación.

■ Descripción del Cable RS-232C

El cable de datos serie utilizado para conectar la impresora al ordenador debe ser uno de los dos tipos siguientes:

NOTA: Utilice el cable RS-232C con tornillos de métrica inglesa en el conector.

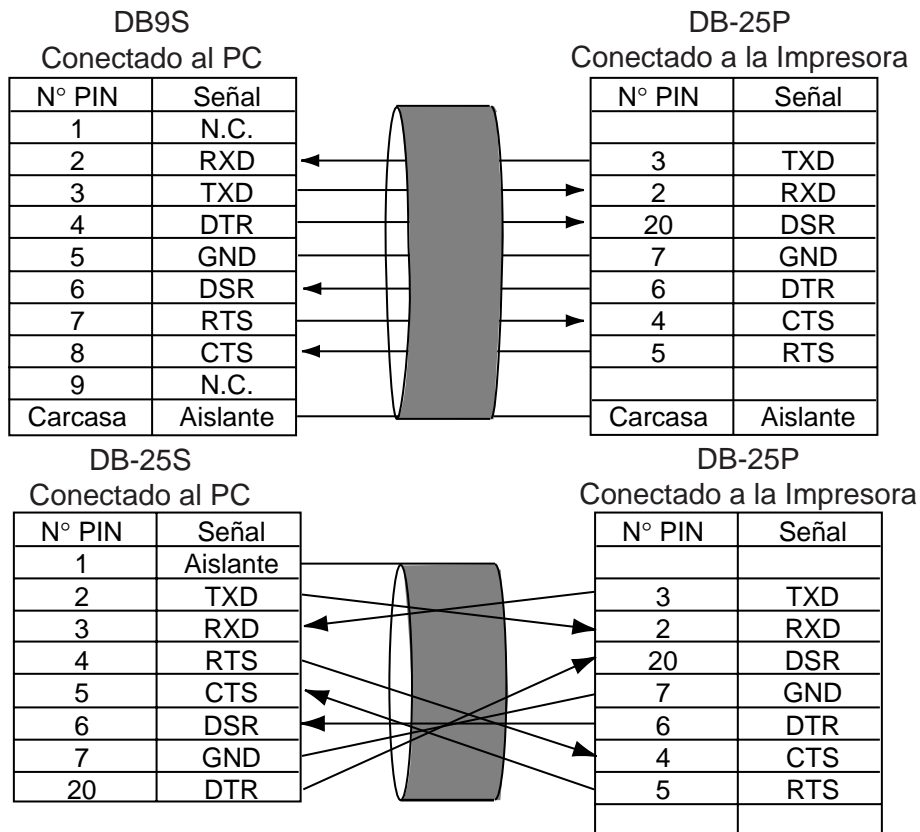


Fig. 5-1

5.2 INSTALACION

- Situe la impresora en una superficie estable y lisa.
- Use una toma de tensión con toma de tierra, no use adaptadores.
- Asegúrese de que la sala donde coloca la máquina tiene el ambiente adecuado para una mejor manejabilidad y mantenimiento de la impresora.
- No coloque la impresora en ambientes con electricidad estática.

6. INSTALACION DE LA IMPRESORA

6.1 CONEXION DE LOS CABLES

ATENCIÓN!

Apague la impresora antes de conectar cualquier cable.

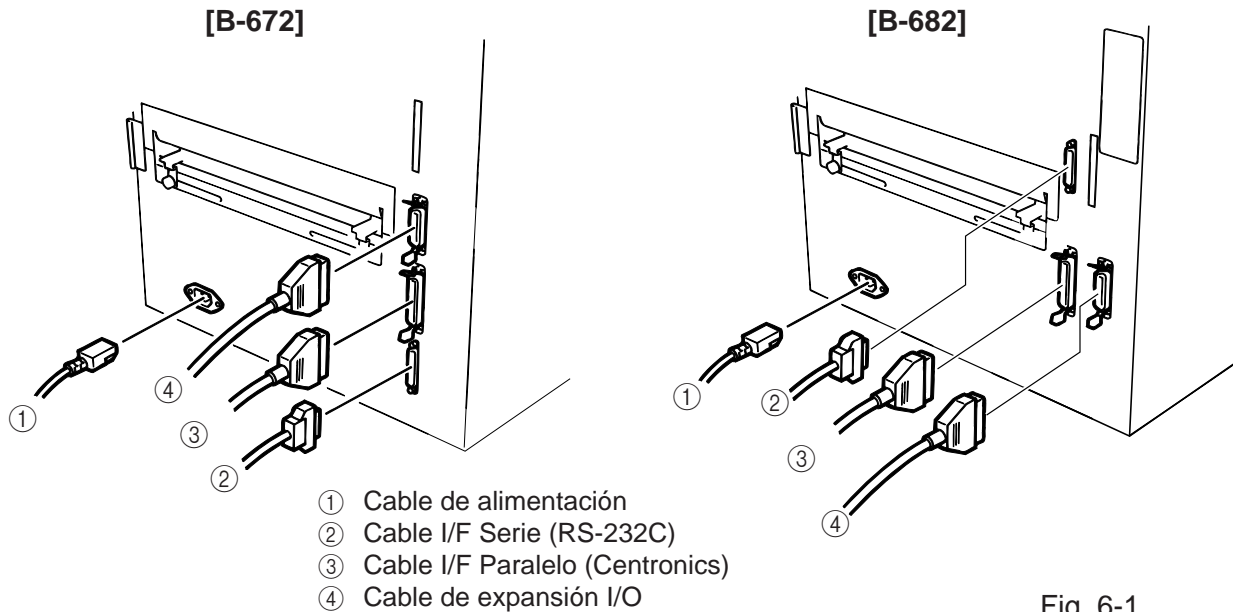


Fig. 6-1

NOTA: No es posible el uso de varios interfaces al mismo tiempo.

6.2 INSTALACION DEL SOPORTE DE PAPEL

Coloque los soportes del rollo de papel sobre la base de éste de tal forma que encajen las muescas, y fíjelos por medio de los tornillos de sujeción.

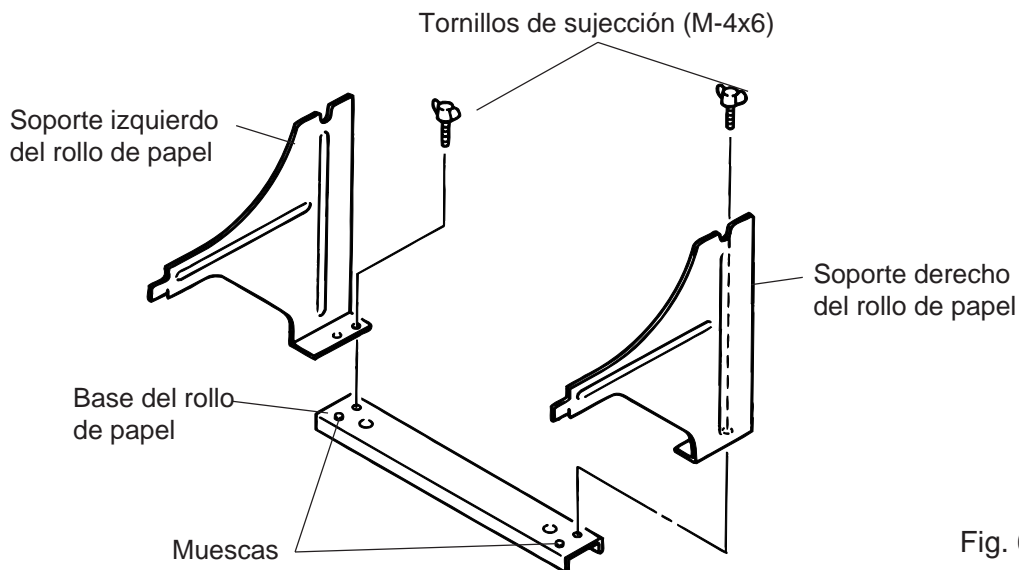


Fig. 6-2

7. COLOCACION DE LA CINTA

ATENCIÓN!

1. Antes de manipular cualquier pieza de la impresora en movimiento (motores, rodillos, etc.), desenchufe la impresora de la red a fin de evitar que los dedos, joyas, ropa, etc, puedan engancharse en ellas.
2. Al abrir o cerrar la cubierta superior (tapa), tenga cuidado de no pillarse los dedos.

Existen dos tipos de papeles adecuados para la impresión, el estandar y el térmico, el cual está tratado para reaccionar al calor. **No cargue cinta** cuando vaya a usar papel térmico.

1. Apague la impresora y abra la cubierta superior y lateral derecha.
2. Coloque la palanca de apertura del cabezal en la posición "OPEN" y retire la pletina de fijación del cabezal.

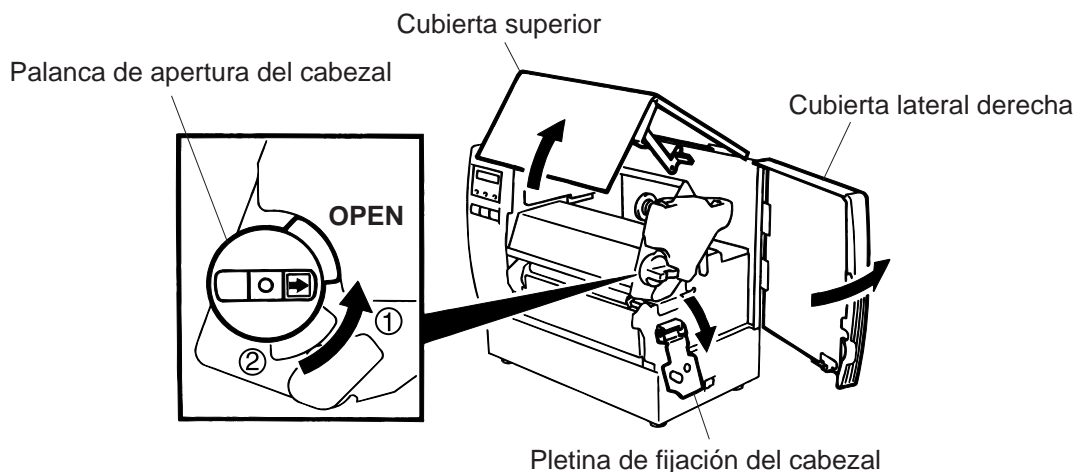


Fig. 7-1

Posición de la palanca de apertura del cabezal

- ①: Etiquetas o cartulina fina.
- ②: Cartulina gruesa.
- OPEN: Cambio de papel/cinta.

3. Desenrolle algo de cinta tal y como muestra la figura 7.2.
4. Inserte la cinta pasando ésta por debajo del bloque de impresión.

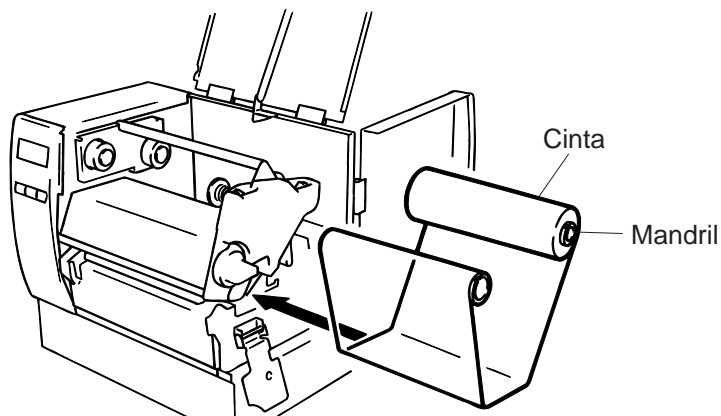


Fig. 7-2

5. Empuje con el mandril de la cinta sobre el resorte y haga coincidir el saliente situado en el resorte con la ranura del mandril.
6. Una vez introducidos ambos mandriles gírelos en el sentido que muestran de las flechas de la figura 7-3 con el fin de tensar la cinta.
7. Gire las palancas de bloqueo de cinta. Si la cinta se arruga, compruebe que ambos mandriles están bien colocados y vuelva a tensar la cinta.

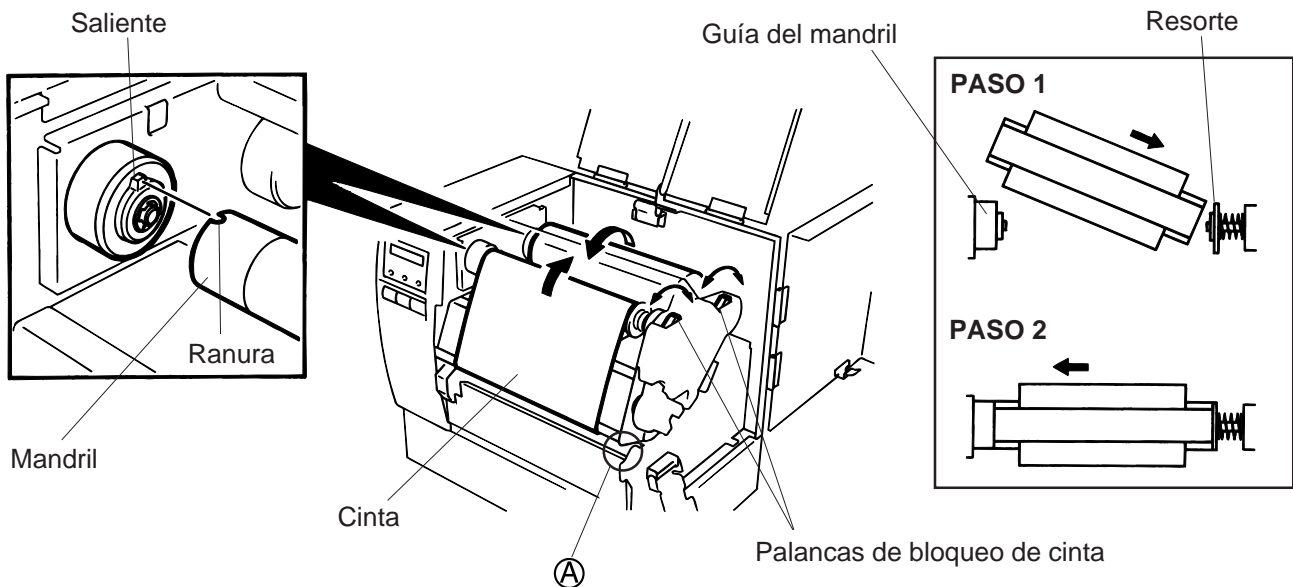


Fig. 7-3

NOTA: Al sacar la cinta tenga cuidado de no enganchar ésta en la zona **A** del frontal de la impresora.

8. Coloque la pletina de fijación del cabezal.
9. Gire la palanca de apertura del cabezal a la posición adecuada dependiendo de papel utilizado. (Referido a la Fig. 7-1)
 - ①: Etiquetas o cartulina fina.
 - ②: Cartulina gruesa.

PRECAUCIÓN: Si utiliza etiquetas asegúrese de poner la palanca de apertura del cabezal en la posición ①.

8. CARGA DE PAPEL

ATENCIÓN!

1. Antes de manipular cualquier pieza de la impresora en movimiento (motores, rodillos, etc.), desenchufe la impresora de la red a fin de evitar que los dedos, joyas, ropa, etc, puedan engancharse en ellas.
2. Al abrir o cerrar la cubierta superior (tapa), tenga cuidado de no pillarse los dedos.

1. Instale el soporte del papel en la parte posterior de la impresora.
2. Afloje el tornillo ① y desplace las guías del papel hacia el exterior.

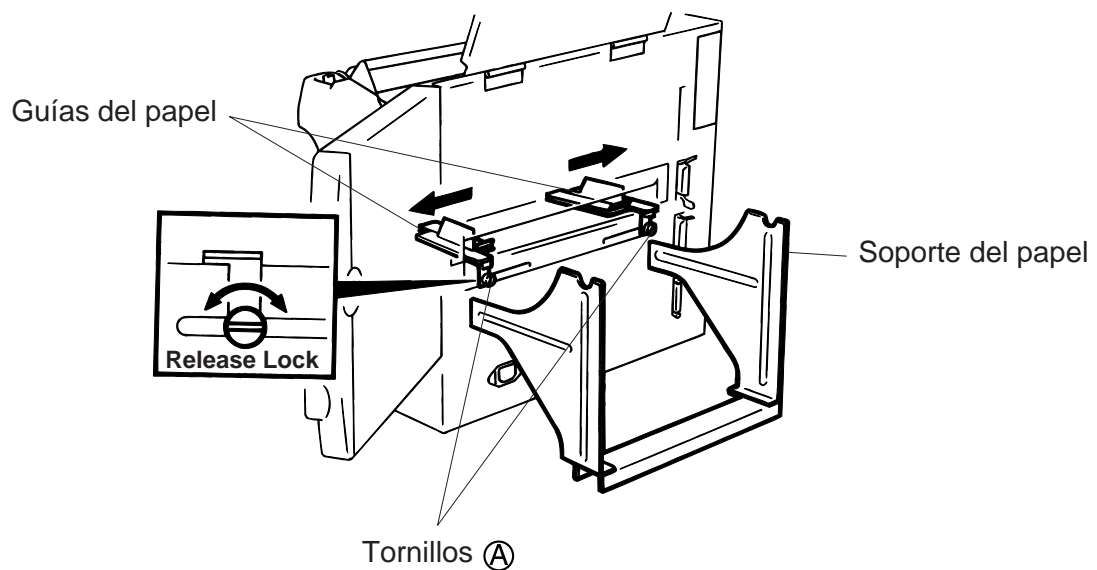


Fig. 8-1

ATENCIÓN:

NO MUEVA las guías del papel tirando del tornillo ①.

3. Fije la sujeción lateral del rollo de papel usando la palanca de cierre. Sujeción lateral del rollo de papel
4. Introduzca el eje del rollo de papel por el mandril de éste y coloque la otra sujeción lateral. Sujeción lateral del rollo de papel

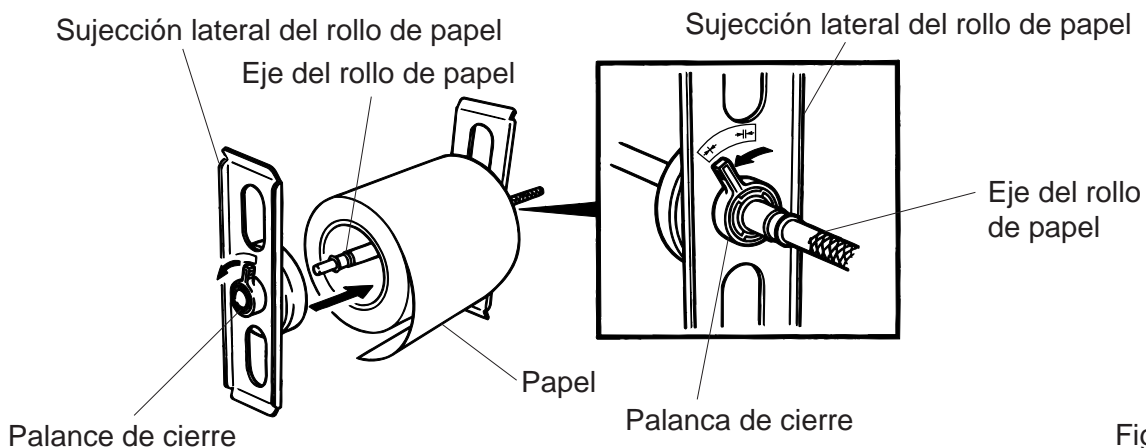


Fig. 8-2

5. Centre el rollo del papel con respecto al soporte, una vez hecho ésto bloquéelo con las palancas de cierre. Ajuste las guías del papel al mismo y apriete el tornillo ① firmemente.

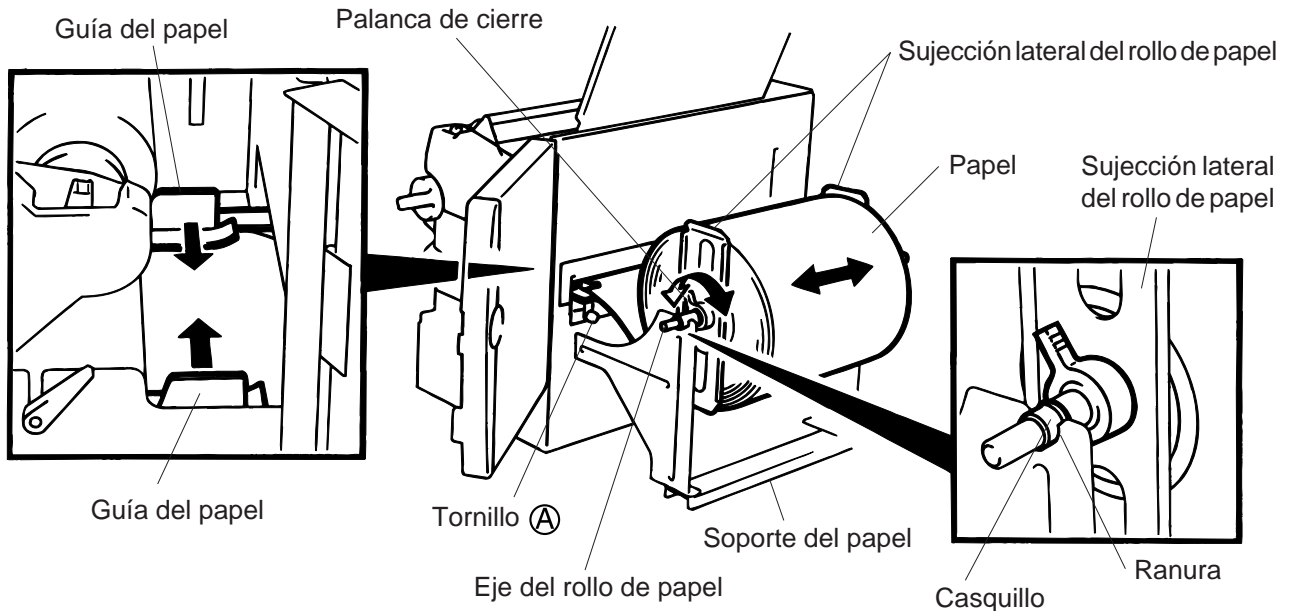


Fig. 8-3

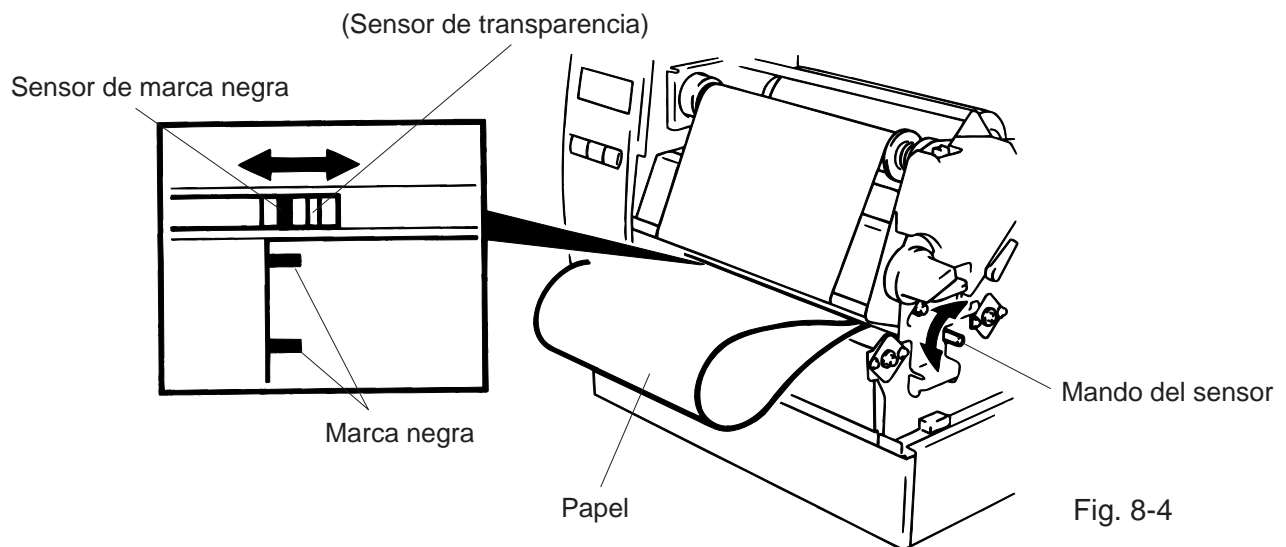
NOTA: Asegure el eje del rollo de papel al soporte introduciendo los casquillos en las ranuras.

6. Tanto para el sensor de etiqueta como para el de marca negra, se puede seleccionar el sensor fijo o el móvil, esto se realiza por medio de los microinterruptores internos en la B-672. Para la B-682, contacte con su representante TOSHIBA TEC autorizado para seleccionarlo a través del Panel de Operaciones. Si se selecciona sensor fijo, el sensor de marca negra que actúa es el que se encuentra centrado con respecto al papel y el de transparencia 10 mm a la izquierda de éste. Al seleccionar sensor variable éste puede estar situado en cualquier zona entre el tope izquierdo de impresión y el sensor fijo.

7. Coloque el sensor de marca negra/transparencia a la posición deseada girando el mando del sensor. Si se gira dicho mando hacia la derecha el sensor se desplaza hacia el centro de la zona de impresión, si se gira a la izquierda éste se aleja del centro.

■ Ajuste de la posición del sensor de marca negra

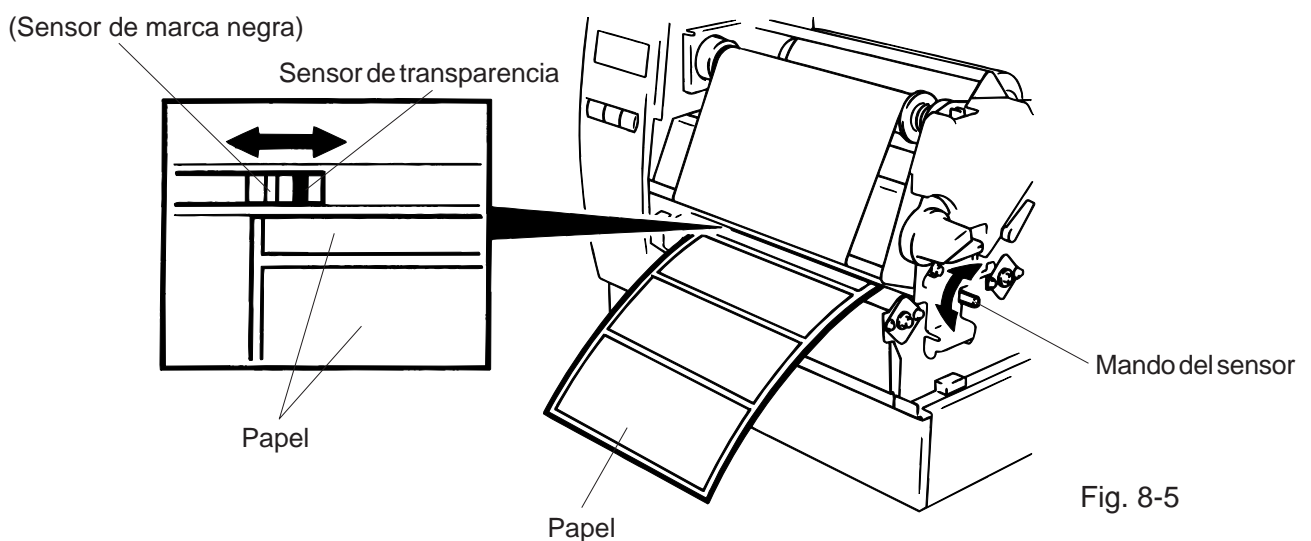
- ① Sacar unos 500 mm de papel y doblarlo de tal manera que se introduzca entre la cabeza de impresión y el papel ya introducido.
- ② Ajustar la posición del sensor de marca negra en la marca del papel (el agujero de arriba indica la posición del sensor).



NOTA: Asegúrese de que la marca se encuentra en el centro del sensor, de no ser así pueden producirse atascos de papel.

■ Ajuste de la posición del sensor de transparencia

Ajustar la posición del sensor de transparencia en un espacio entre etiquetas. (el agujero de abajo indica la posición del sensor).



8. Una vez hecho esto ya tenemos cargado el papel y el sensor posicionado.

Emisión en continuo:

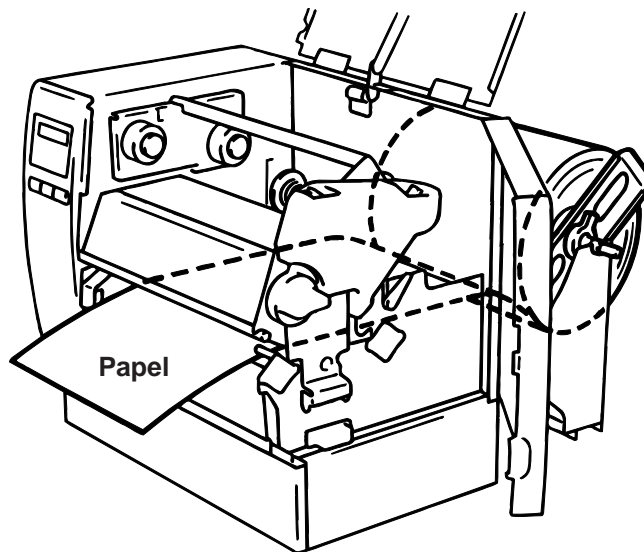


Fig. 8-6

Emisión con corte: Cuando se trabaja con cortador introduzca el papel hasta la salida de papel ubicada en el módulo cortador.

- NOTAS:**
1. Asegúrese de cortar el papel soporte de las etiquetas. El corte de etiquetas puede provocar una mala calidad en el corte, además de acortar la vida del cortador, ya que el pegamento de las etiquetas se queda incrustado en las cuchillas.
 2. Si al realizar la emisión con corte el principio de la etiqueta tiende a enrollarse sobre el platen, coloque el microinterruptor interno (DIP SW) 1-5 de la B-672 en la posición ON. Para la B-682, contacte con su representante TOSHIBA TEC autorizado para seleccionarlo a través del Panel de Operaciones.
 3. El uso de papel/cartulina de más espesor del indicado en las especificaciones acorta la vida del cortador.

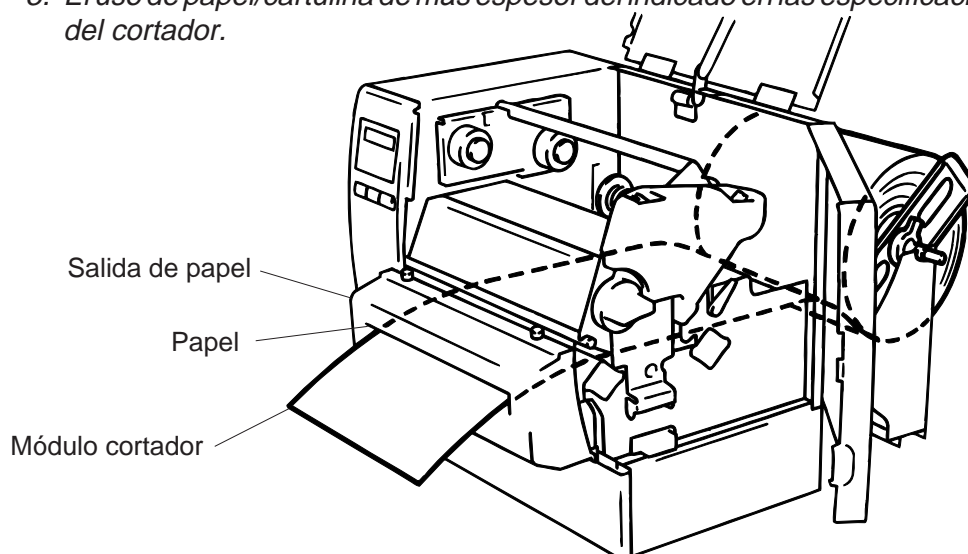


Fig. 8-7

Emisión con despegado:

- ① Si al realizar la emisión con corte el principio de la etiqueta tiende a enrollarse sobre el platen, coloque el microinterruptor interno (DIP SW) 1-5 de la B-872 en la posición ON. Para la B-882, contacte con su representante TOSHIBA TEC autorizado para seleccionarlo a través del Panel de Operaciones. Avance unos 200 mm de papel y despegue las etiquetas en él situadas.
- ② Baje la palanca liberadora del papel.
- ③ Pase el papel soporte entre el rodillo de despegado y la sujeción del papel soporte. Elimine cualquier arruga existente en el papel soporte y suba la palanca liberadora de papel soporte.

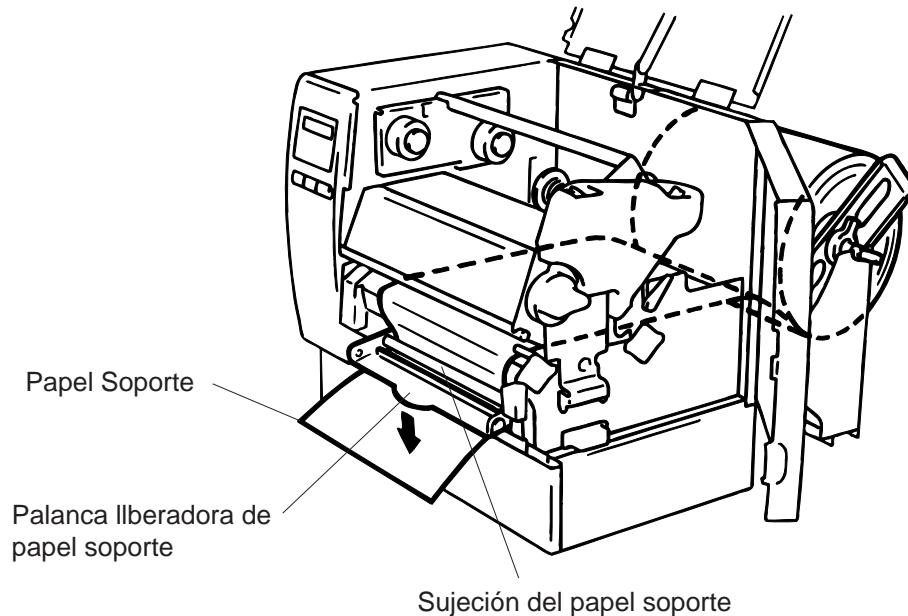


Fig. 8-8

9. Gire la palanca de apertura del cabezal a la posición adecuada dependiendo de papel utilizado. (Referido a la Fig. 7-1)
 - ①: Etiquetas o cartulina fina.
 - ②: Cartulina gruesa.

PRECAUCIÓN: Si utiliza etiquetas asegúrese de poner la palanca de apertura del cabezal en la posición ①.

10. Cierre la cubierta superior y lateral derecha.

9. COMO INTRODUCIR LA TARJETA DE MEMORIA (Opcional) (Sólo B-672)

ATENCIÓN!

1. Apagar siempre la impresora cuando se va a introducir o extraer la tarjeta de memoria.
2. Para evitar que la tarjeta se cargue con la electricidad electrostática que nuestro cuerpo pueda poseer, antes de operar sobre ella, toque cualquier zona metálica de la parte posterior de la impresora.

1. Apagar la impresora.
2. Inserte la tarjeta de memoria en la ranura situada en la parte posterior de la impresora.
3. Encender la impresora.

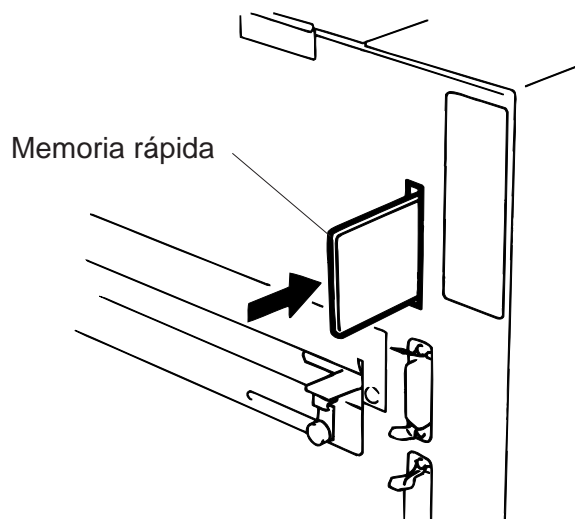


Fig. 9-1

- NOTAS:**
1. Asegúrese de proteger la tarjeta, cuando no la utilice, introduciéndola en su caja.
 2. No golpee o aplique demasiada fuerza al introducir la tarjeta de memoria.
 3. Procure no exponer la tarjeta de memoria a temperaturas altas, luz directa del sol y humedad excesiva. Para limpiarla use un paño ligeramente humedecido.
 4. Antes de introducir o extraer tarjeta de memoria asegúrese de que la impresora está apagada.
 5. Se pueden utilizar las siguientes tarjetas flash. (La tarjeta de 1 MB es de sólo lectura y la de 4 MB es de lectura/escritura.)

Capacidad	Fabricante	Tipo	Código de dispositivo	Código de fabricante
1M Byte	Maxell	EF-1M-TB [AA]	D0H	1CH
	Mitsubishi	MF81M1-GBDAT01		
4M Byte	Maxell	EF-4M-TB [CC]	88H	B0H
	Maxell	EF-4M-TB [DC]	ADH	04H
	Centennial Technologies INC.	FL04M-15-11119-03		01H
	INTEL	IMC004FLSA	A2H	89H
	Simple TECHNOLOGY	STI-FL/4A		
	Mitsubishi	MF84M1-G7DAT01		
	PC Card KING MAX	FJN-004M6C		
PC Card	FJP-004M6R	A0H	89H	

10. COMO INTRODUCIR LA TARJETA OPCIONAL PCMCIA (Sólo B-682)

ATENCIÓN:

Apagar siempre la impresora cuando se vaya a introducir o extraer la tarjeta PCMCIA.

PRECAUCIÓN:

Para proteger las tarjetas PCMCIA, toque la cubierta trasera de la impresora para descargarse de la electricidad estática antes de tocar la tarjeta PCMCIA.

1. Apagar la impresora.
2. Introduzca la tarjeta PCMCIA en el slot en la parte trasera de la impresora.
3. Encender la impresora.

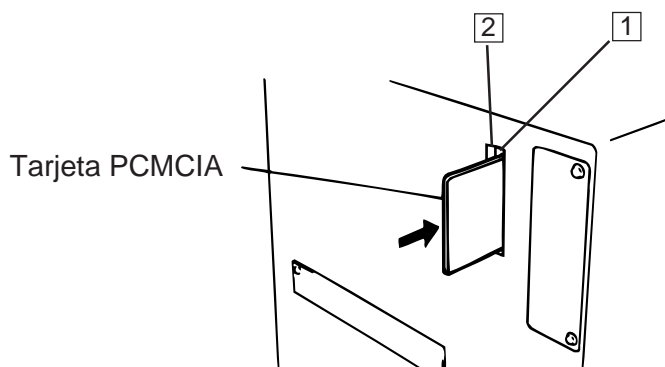


Fig. 10-1

- CUIDADOL:**
1. Asegúrese de proteger la tarjeta PCMCIA guardándola en su caja cuando no la utilice en la impresora.
 2. No golpee o aplique demasiada fuerza al introducir la tarjeta.
 3. Procure no exponer la tarjeta a temperaturas altas, luz directa del sol y humedad excesiva. Para limpiarla use un paño ligeramente humedecido.
 4. Antes de introducir o extraer la tarjeta asegúrese de que la impresora esté apagada.
 5. Se pueden utilizar las siguientes tarjetas flash.
 6. Se pueden utilizar las siguientes tarjetas PCMCIA.

Tipo	Fabricante	Descripción	Observaciones
Tarjeta ATA	Tarjeta conforme al estándar de tarjetas ATA para PC.		_____
Tarjeta LAN	3 COM	Tarjeta Ether Link 3C589D PC	Instalar sólo en la ranura (2). (Esta tarjeta instalada en la ranura (1) no funciona.)
Tarjeta de memoria Flash (4 MB)	Maxell	EF-4M-TB <input type="checkbox"/> CC	_____
		EF-4M-TB <input type="checkbox"/> DC	

7. Instalar la tarjeta LAN en el slot (2).

11. ACERCA DE LOS CONSUMIBLES

ATENCIÓN:

Por tratarse de una impresora de transferencia térmica, se aconseja que se usen las etiquetas y cintas recomendadas por TOSHIBA TEC. De lo contrario pueden resultar códigos de barras ilegibles. Trátense estas etiquetas y cintas con cuidado. En caso de usar productos en mal estado puede que los códigos impresos sean defectuosos además de acortar la vida de su cabezal. Lea detenidamente este manual.

- No almacene el papel o las cintas por más tiempo del que recomiendan los fabricantes. Colóquense en sitios lisos y evítese almacenarlos en superficies irregulares. Usar consumibles en mal estado puede producir atascos en la impresora y ofrece una baja calidad de impresión.
- Consérvense dentro de bolsas de plástico cerradas convenientemente. De lo contrario éstos absorberán suciedad lo que acortará la vida de su cabezal.
- Almacenar en sitios frescos y secos. Evite ambientes húmedos, suciedad, polvo, altas temperaturas, gas y que estén expuestos directamente a la luz del sol.
- El uso de impresión térmica directa (impresión sobre papel térmico) requiere que el papel térmico no exceda de: Na⁺ 800 ppm, K⁺ 250 ppm y CL-500 ppm.
- Algunas tintas usadas en etiquetas preimpresas pueden contener ingredientes que influyan en la vida del cabezal, por eso no use etiquetas preimpresas que contengan carbonico cálcico (CaCO₃) y Caolin (AL₂O₃, 2SiO₂, 2H₂O).

Para más información consulte con su distribuidor o sus fabricantes de papel y cintas.

12. MANTENIMIENTO

ATENCIÓN!

1. Tenga cuidado en el manejo del cabezal ya que éste puede estar caliente.
2. Tener cuidado de no cortarse con la cuchilla de la impresora.
3. Antes de manipular cualquier pieza de la impresora en movimiento (motores, rodillos, etc.), desenchufe la impresora de la red a fin de evitar que los dedos, joyas, ropa, etc, puedan engancharse en ellas.
4. Al abrir o cerrar la cubierta superior (tapa), tenga cuidado de no pillarse los dedos.

12.1 LIMPIEZA

ATENCIÓN!

1. Asegurese de desconectar la impresora de la red.
2. No use herramientas que puedan dañar la impresora.
3. No arroje agua directamente sobre la impresora.

Se recomienda usar para su limpieza productos de calidad. De acuerdo con la frecuencia con la que usemos la máquina se deberá limpiar cada día o cada semana.

1. Apagar la impresora.
2. Abrir la cubierta superior y lateral derecha.
3. Girar la palanca de apertura del cabezal de impresión para levantarlo.
4. Extraer de la impresora la cinta (si se usa) y el papel.
5. Limpiar los elementos de impresión del cabezal de impresión con el lápiz limpiador.
6. Limpiar el rodillo de cabezal humedeciendo un paño con un poco de alcohol.

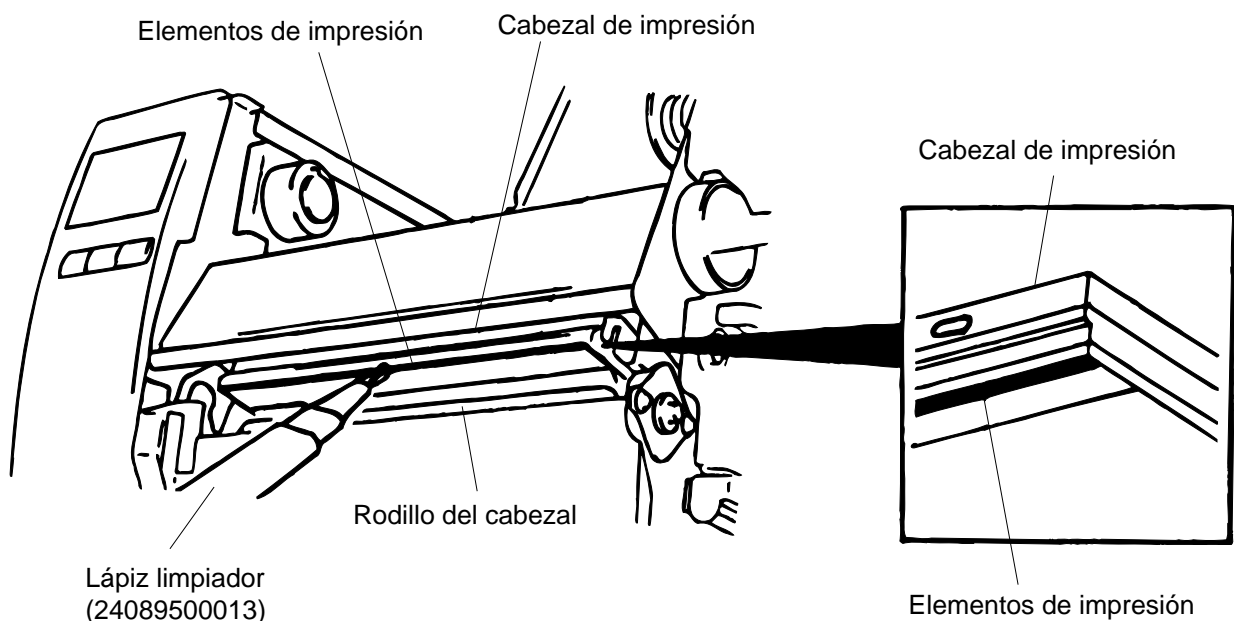


Fig. 12-1

7. Gire la palanca del rodillo de sujeción del papel a la derecha.
8. Quite el tornillo blanco y saque el módulo del sensor de final de cinta.

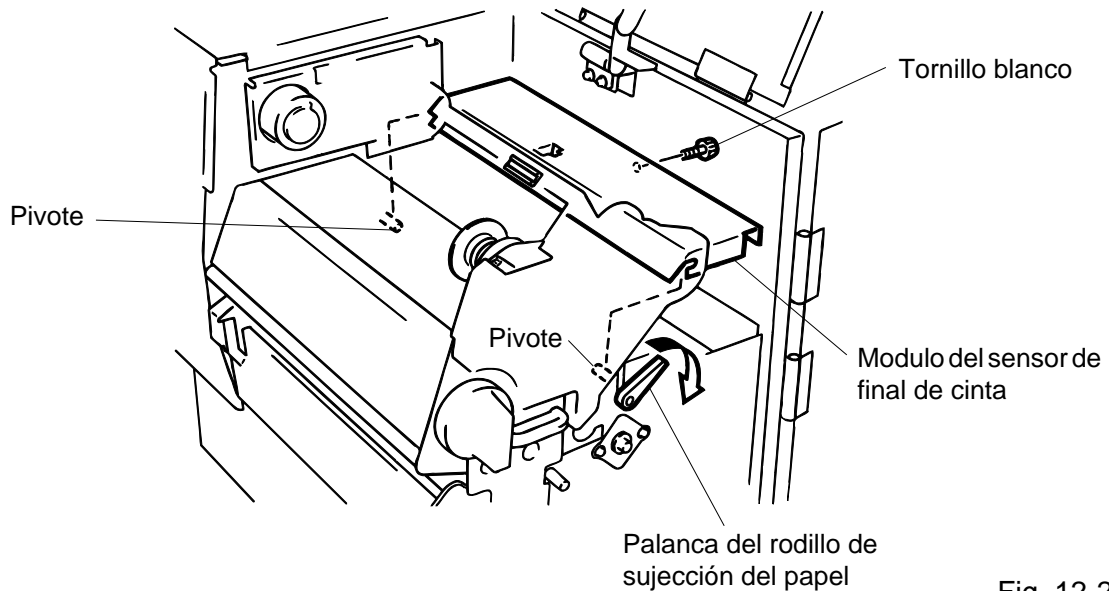


Fig. 12-2

NOTA: Al volver a instalar el módulo del sensor de final de cinta, asegúrese de encajarlo bien en los pivotes.

9. Saque el bloque del rodillo de sujeción del papel y limpie los rodillos con un paño humedecido en alcohol.

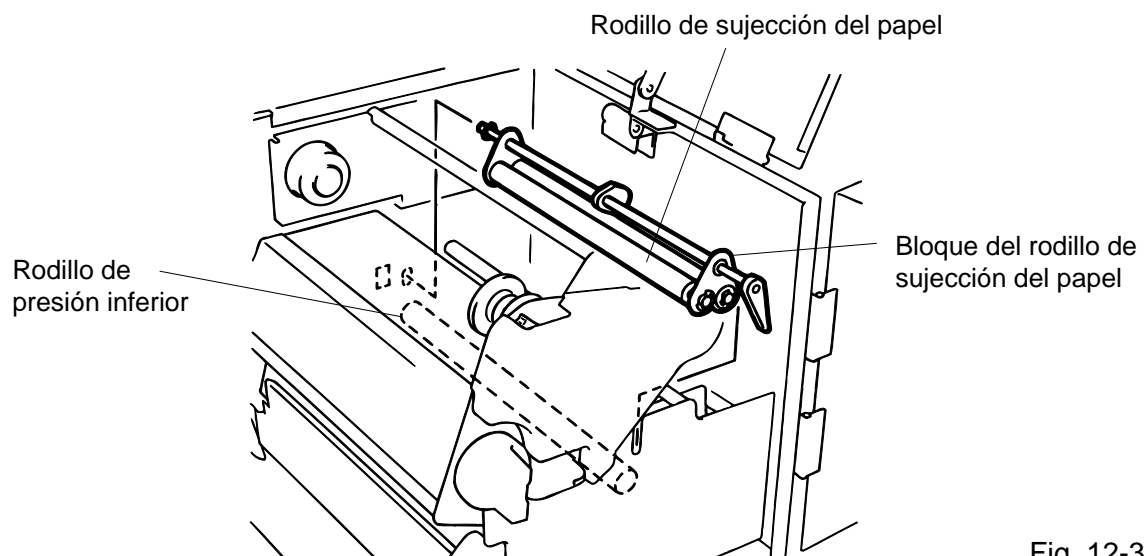


Fig. 12-3

10. Vuelva a colocar los módulos en su sitio en orden inverso al que los ha sacado.

12.2 LIMPIEZA DE LAS GUIAS DE PAPEL

1. Saque las guías de papel tal y como de muestra en la figura 11-4.

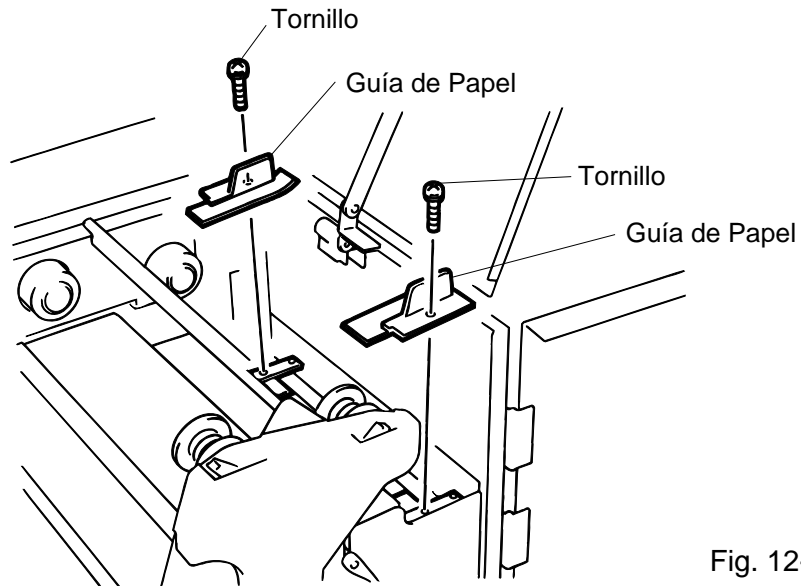


Fig. 12-4

2. Elimine el papel atascado.
3. Limpie las guías con un paño humedecido en alcohol.
4. Ensamble de nuevo las guías fijándolas con los tornillos.

NOTA: Ponga atención en no perder los tornillos.

12.3 PANEL Y CUBIERTAS

Limpiar las cubiertas con un paño seco o ligeramente humedecido con una solución detergente suave.

NOTA: Limpiar las chapas con productos que carezcan de electricidad estática.

ATENCIÓN!

1. No arroje agua directamente sobre la impresora.
2. No aplique limpiadores o detergentes directamente sobre las cubiertas.
3. No use disolventes volátiles para limpiar las zonas plásticas.
4. Para limpiar el panel no use alcohol, ya que podría dañar parcial o totalmente los indicadores en ella situados.

12.4 COMO ELIMIANL EL PAPEL ATASCADO

1. Apague la impresora.
2. Abra la cubierta superior y lateral derecha.
3. Gire la palanca de apertura del cabezal hasta la posición "OPEN", luego retire la pletina de fijación del cabezal.
4. Quite el tornillo blanco, desconecte el conector de la guía superior de papel y retire ésta. (Ver Fig. 12-5)
5. Descarge el papel y la cinta.
6. Elimine el papel atascado. No use para ello herramientas que puedan dañar la impresora.
7. Limpie el cabezal y el rodillo del cabezal, elimine también cualquier suciedad en esa zona.
8. Introduzca la guía superior de papel haciendo coincidir la zona ②, con el sensor de papel. Fije esta con el tornillo blanco.

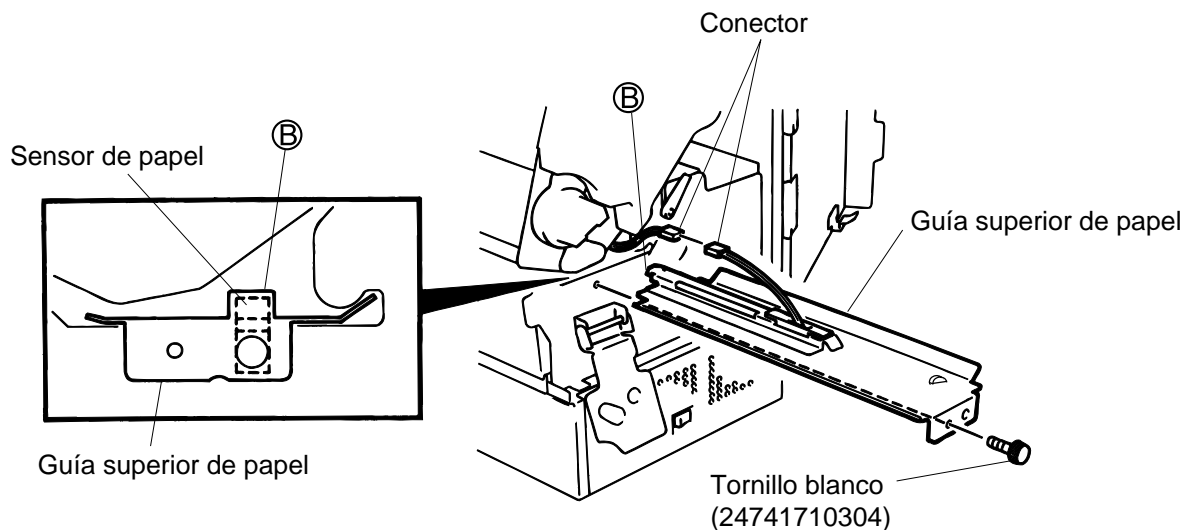


Fig. 12-5

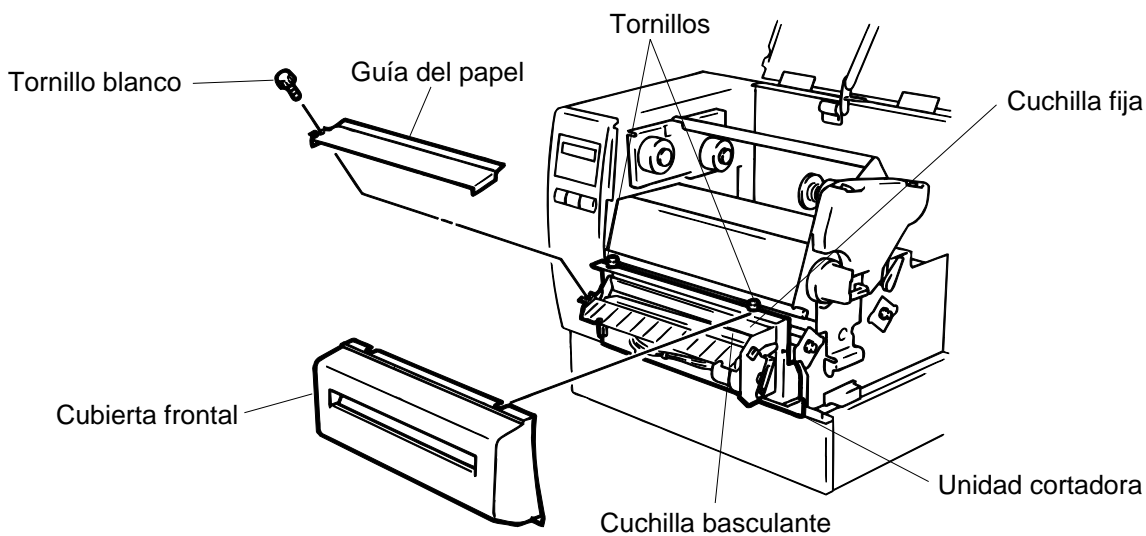
9. Los atascos de papel en el cortador pueden ser producidos por el pegamento u otros residuos de las etiquetas. No introduzca papel fuera de especificaciones en el cortador. Si tiene atascos muy frecuentes en el cortador contacte con su distribuidor TOSHIBA TEC.

■ Cómo limpiar la unidad cortadora

ATENCIÓN!

1. Asegurarse de que se encuentra la impresora apagada antes de empezar a limpiar.
2. Tener cuidado de no cortarse con las cuchillas.

1. Aflojar los dos tornillos de la cubierta frontal.
2. Sacar el tornillo blanco para extraer la guía del papel.
3. Quitar el papel atascado.
4. Limpiar toda la unidad con un paño seco.



5. Para volver a montar la unidad seguir los pasos anteriores en orden inverso.

■ Cómo limpiar la unidad de despegado

ATENCIÓN!

Asegúrese de que se encuentra la impresora apagada antes de empezar a limpiar la unidad.

1. Baje la palanca liberadora de papel soporte.
2. Limpie con alcohol etílico el rodillo de despegado y la sujeción del papel soporte.

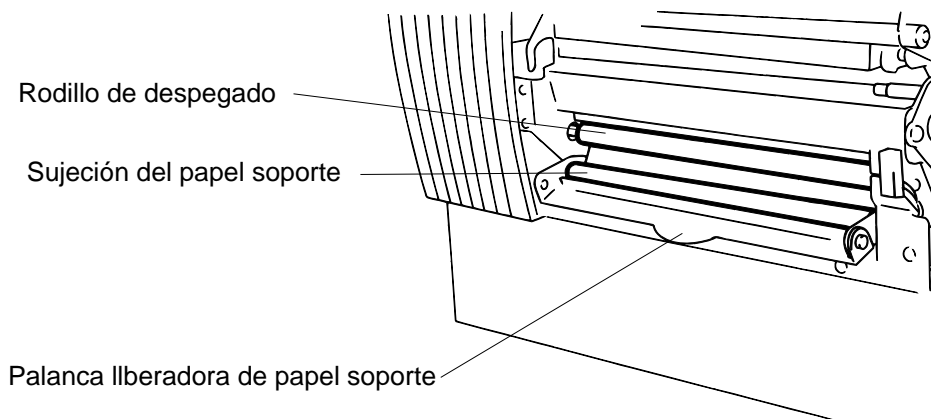
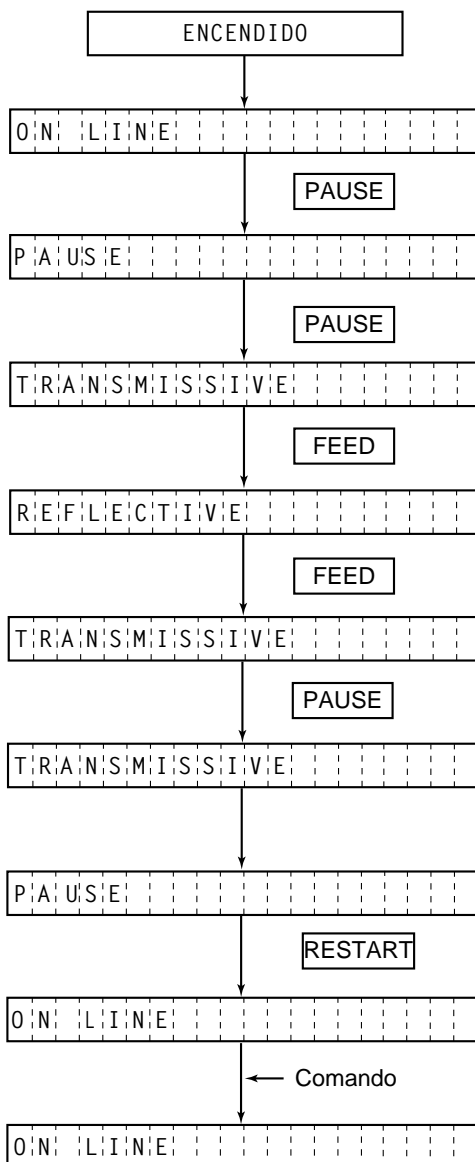


Fig. 12-8

12.5 CONFIGURACION DEL UMBRAL DE ETIQUETA

Para empezar a imprimir etiquetas en una determinada posición, la cual va a ser fija, se usa el sensor de transparencia, el cual es usado para detectar el espacio entre etiquetas. Cuando usamos etiquetas pre-impresas, el sensor puede que no detecte bien la posición correcta en la cual se va a empezar a imprimir, en este caso se debe configurar el umbral del sensor de transparencia operando sobre el panel de la impresora.

■ Proceso a seguir



- (1) La impresora está en reposo.
- (2) Coloque un rollo de etiquetas preimpresas de la forma habitual.
- (3) Pulse la tecla **[PAUSE]**.
- (4) La impresora entra en el estado de pausa.
- (5) Pulse y mantenga la tecla **[PAUSE]** en el estado de pausa.
- (6) Se muestra el tipo de sensor.
- (7) Pulse la tecla **[FEED]**.
- (8) Se selecciona el sensor reflectivo (sensor de marca negra).
- (9) Pulse la tecla **[FEED]** otra vez.
- (10) Se selecciona el sensor transmisor (sensor de transparencia).
- (11) Pulse y mantenga la tecla **[PAUSE]**.
- (12) Avanza el papel hasta que se suelta la tecla **[PAUSE]**.
- (13) Suelte la tecla **[PAUSE]** después de que hayan avanzado más de 1.5 etiquetas (cartulina).
(Se ha completado el ajuste de umbral)
- (14) Pulse la tecla **[RESTART]**.
- (15) La impresora está en reposo.
- (16) Envíe un comando de emisión desde el PC a la impresora.

NOTAS:

1. Si suelta la tecla **[PAUSE]** antes de 3 segundos en el estado de pausa, no se realiza el avance de papel.
2. Para ajustar el umbral adecuadamente, avance más de 1.5 o 2 etiquetas. Si no avanzan un número de etiquetas suficientes, el ajuste del umbral puede ser incorrecto.
3. No funciona la tecla **[PAUSE]** mientras el cabezal de impresión está levantado.
4. No se detectan errores de fin de papel ni de cortador durante el avance de papel.
5. La selección del sensor transmisor (para etiquetas preimpresas) en el comando de avance o de emisión, permite a la impresora detectar correctamente la posición inicial de impresión apropiada incluso cuando se utilizan etiquetas preimpresas.
6. Si la impresora no imprime en la posición correcta de impresión, incluso después del ajuste del umbral, ajuste el sensor de transparencia en el Modo Sistema. Después de eso, ajuste el valor del umbral otra vez. Asegúrese que ha seleccionado el sensor transmisor (para etiquetas preimpresas) en el comando de avance o de emisión.
7. Durante esta operación, no trabaje con el módulo de teclado puesto que pueden producirse problemas de mal funcionamiento. No se mostrará nada en la pantalla del teclado.

13. SOLUCION DE ERROES

ATENCIÓN!

Si su problema no se encuentra entre los expuestos en este apartado, no intente resolverlo Ud. mismo. Apague la impresora, desenchúfela de la red, y contacte con su distribuidor TOSHIBA TEC.

Mensaje de error	Problema	Solución
Atasco papel ****	<ol style="list-style-type: none"> 1. El papel no está colocado correctamente. 2. Al hacer un avance de papel, este se ha arrugado. 3. El papel instalado no concuerda con el tipo de sensor seleccionado. 4. La marca negra del papel no está colocada en la posición del sensor. 5. El tamaño del papel instalado es distinto del programado. 6. El sensor de transparencia no distingue entre el área de impresión y los espacios entre etiquetas. 	<ol style="list-style-type: none"> 1. Coloque bien el papel y pulse la tecla RESTART. 2. Extraiga el papel atascado y coloque papel nuevo, luego pulse la tecla RESTART. 3. Apague la impresora y luego vuelvala a encender, configure la impresora para que concuerden el tipo de papel y el sensor. 4. Ajuste la posición del sensor y pulse la tecla RESTART. 5. Apague la impresora y vuélvala a encender. Programe bien el tamaño del papel. 6. Realice la configuración de umbral. (Ver pág. 12-6.) De no funcionar, apague la impresora y llame a su distribuidor TOSHIBA TEC.
Cabezal abierto ****	El cabezal de impresión o el rodillo del papel está levantado cuando intentamos imprimir o hacer un avance de papel.	Coloque el cabezal correctamente y pulse la tecla RESTART .
Sin papel ****	Se ha acabado el papel.	Cargar papel y pulsar la tecla RESTART .
Sin cinta ****	Se ha acabado el cinta.	Colocar cinta en la impresora y pulsar la tecla RESTART .

Mensaje de error	Problema	Solución
Temp. cabezal alta	El cabezal de impresión está muy caliente.	Apague la impresora y baje la temperatura del cabezal.
Error de cabezal	Hay algún elemento roto en el cabezal	Continúe la impresión con la tecla RESTART y llame a su distribuidor TOSHIBA TEC para adquirir un nuevo cabezal.
Error de cinta ****	Falla alguna de las partes del sensor de cinta.	Apague la impresora y llame a su distribuidor TOSHIBA TEC.
Error cortador ****	Se ha producido un error al escribir en tarjeta flash o tarjeta ATA.	Quite el papel atascado y presione la tecla RESTART , si el problema persiste llame a su distribuidor TOSHIBA TEC.
ERROR ESCRITURA	Se ha producido un error al escribir en tarjeta flash o tarjeta ATA.	<ol style="list-style-type: none"> 1. Apague la impresora e inserte de nuevo la tarjeta para volver a intentarlo. 2. Cambie de tarjeta e inténtelo de nuevo. 3. Apague y llame a su distribuidor autorizado.
ERROR DE FORMATO	Error al intentar formatear una tarjeta flash o tarjeta ATA.	<ol style="list-style-type: none"> 1. Apague la impresora e inserte de nuevo la tarjeta para volver a intentarlo. 2. Cambie de tarjeta e inténtelo de nuevo. 3. Apague y llame a su distribuidor autorizado.
MEMORIA INSUFICI	No pueden salvarse más datos en tarjeta flash o tarjeta ATA.	Sustituya la tarjeta por una nueva. Envíe los datos desde donde se produjo el error. (En caso de tarjeta flash, sólo se pueden utilizar tarjetas de 1MB y 4MB. B-682: sólo 4 MB)
Error comunicación	Error en la comunicación con el ordenador.	Apague la impresora y vuelva a encenderla de nuevo, o presione la tecla RESTART . Revise su programa. Llame a su distribuidor TOSHIBA TEC si es necesario.

Mensaje de error	Problema	Solución
ejemplo) PC001;0A00, Comando de error 0300, 2, 2	Cuando se detecta un error de programación, se muestran los 20 primeros bytes del comando erróneo. ([ESC], [LE], [NULL] no se muestran)	Rectifique el comando y envíelo de nuevo.
Otro mensaje de error	Error de software y/o hardware.	Apague la impresora y vuélvala a encender. Si el error continúa apague la impresora y llame a su distribuidor TOSHIBA TEC.
<p>NOTA: Si pulsando la tecla RESTART no puede eliminar un error, apague la impresora y vuélvala a encender.</p> <p>Cuando se vuelve a encender la impresora, los datos que iban a ser impresos se pierden.</p> <p>La señal **** indica el número de etiquetas que no han sido impresas.</p>		

Problema	Solución
No imprime	<ol style="list-style-type: none"> 1. Comprobar que el papel y la cinta estén colocados correctamente. 2. Confirmar que el cabezal de impresión se encuentra en la posición correcta. 3. Chequear que el cable del interface esté bien colocado.
Hay puntos que no se imprimen	Cabezal de impresión sucio, límpiase el cabezal. Llamar a su distribuidor TOSHIBA TEC si fuese necesario.
Impresión borrosa	<ol style="list-style-type: none"> 1. Cabezal de impresión sucio, límpiase el cabezal. 2. Cinta defectuosa, colóquese una cinta nueva. 3. Papel en mal estado. Carge un papel nuevo.
La impresora no se enciende	<ol style="list-style-type: none"> 1. Compruebe que está bien insertado el cable de alimentación a la red. 2. Observe la posición del interruptor. 3. Confirme que la tensión de alimentación sea la correcta. (Compruébelo colocando otra máquina.) Llame a su distribuidor TOSHIBA TEC en caso de que sea necesario.
No actúa el cortador	<ol style="list-style-type: none"> 1. Compruebe que no se ha stascado el papel en la unidad cortadora. Llame a su distribuidor TOSHIBA TEC si fuese necesario.
El papel se levanta en el corte	<ol style="list-style-type: none"> 1. Limpie las cuchillas. 2. Las cuchillas están calientes, deje que se enfríen. Llame a su distribuidor TOSHIBA TEC si fuese necesario.

TEC

TEC Thermische Drukker

B-670/680 SERIES

Gebruikershandleiding

Samenvatting veiligheid

De veiligheid van personen tijdens het gebruik of het onderhoud van de uitrusting is van heel groot belang. Verwittigingen en voorschriften die nodig zijn voor een veilig gebruik werden opgenomen in deze handleiding. Alle verwittigingen en voorschriften die deze handleiding bevat moeten zorgvuldig gelezen en begrepen zijn alvorens deze uitrusting te gebruiken of te onderhouden.

Herstel of wijzig deze uitrusting niet zelf. Indien een fout zich voordoet dat niet kan verholpen worden met behulp van de werkwijzen die in deze handleiding beschreven worden, zet dan het toestel af, haal de stekker uit het stopcontact en stel u in verbinding met een erkende TOSHIBA TEC verdeler voor bijstand.

Betekenis van de symbolen



Dit symbool geeft aan dat het een waarschuwing betreft. Specifieke waarschuwingen zijn in de \triangle symbool getekend. (Het symbool links geeft een algemene waarschuwing.)



Dit symbool duidt op verboden handelingen (gebruiks-voorwerpen). Specifieke verboden handelingen en voorwerpen zijn in of bij het \odot symbool getekend. (Het symbool links betekent "verboden te demonteren".)



Dit symbool geeft aan dat bepaalde handelingen moeten worden uitgevoerd. Specifieke aanwijzingen worden met een \bullet symbool weergegeven. (Het symbool links betekent "haal de stekker uit het stopcontact")

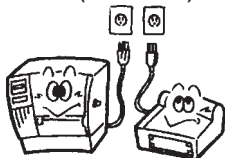


WAARSCHUWING

Duidt op groot gevaar voor **ernstige persoonlijke letsels** en mogelijk zelfs doodsgevaar.



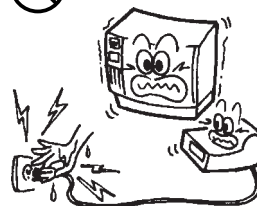
Verboden aan te sluiten op een andere spanning dan aangegeven (wisselstroom).



■ Sluit nooit aan op een andere spanning (wisselstroom) dan aangegeven op het voltage label. Een verkeerde spanning kan oorzaak zijn van **brand** of **elektrische schokken**.



Verboden



■ Sluit geen toestel aan en haal geen stekker uit het stopcontact met natte handen. Dit levert een groot gevaar op voor **elektrische schokken**.



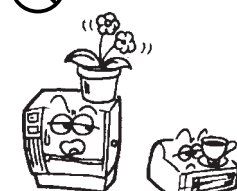
Verboden



■ Het aansluiten van verschillende toestellen op éénzelfde voeding kan leiden tot spanningsverschillen en bijgevolg een slechte werking van de toestellen. Gebruik dus een apart stopcontact voor elk toestel.



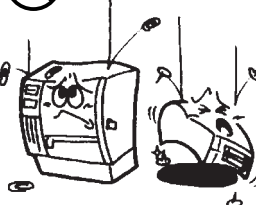
Verboden



■ Plaats geen metalen voorwerpen of bakjes met water zoals bloemenbazen, planten of glazen, op de machines. Er bestaat namelijk kans op **brand** of een **elektrische schok** indien metalen voorwerpen of vocht in de machines terecht komen.



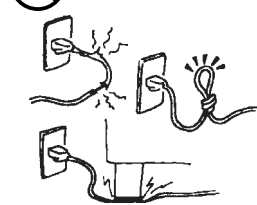
Verboden



■ Steek geen metaal, ontvlambare of andere vreemde voorwerpen door de ventilatie-openingen. Dit kan brand of elektrische schokken teweegbrengen. Zorg er tevens voor dat zulke voorwerpen niet per ongeluk in de toestellen kunnen vallen.



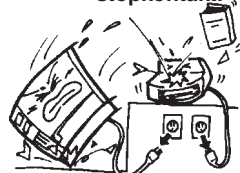
Verboden



■ Beschadig of wijzig de netsnoeren niet. Plaats geen zware voorwerpen op de snoeren, trek er niet aan en knik de snoeren niet. Dit alles kan aanleiding geven tot **elektrische schokken** en **brand**.



Haal de stekker uit het stopcontact.






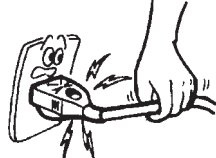

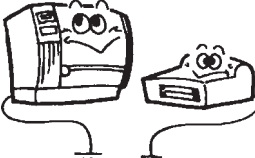

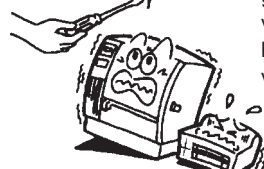
■ Zet het toestel af en haal vervolgens de stekker uit het stopcontact indien het toestel is gevallen of de behuizingen beschadigd zijn en stel u in verbinding met een erkende TOSHIBA TEC verdeler voor bijstand. Het gebruik van het toestel onder deze omstandigheden kan aanleiding geven tot **brand** of **elektrische schokken**.



Haal de stekker uit het stopcontact.



■ Doorlopend gebruik van toestellen onder abnormale omstandigheden, zoals rook- of geurontwikkeling houdt gevaar in voor brand en elektrische schokken. Indien iets niet in orde lijkt moet u het toestel onmiddellijk afzetten en de stekker uit het stopcontact halen. Laat u vervolgens bijstaan door een erkende TOSHIBA TEC verdeler.

 <p>Haal de stekker uit het stopcontact.</p>  <p>■ Zet het toestel af en haal vervolgens de stekker uit het stopcontact indien vreemde voorwerpen (metalen voorwerpen, vloeistoffen) in het toestel zijn gevallen en stel u in verbinding met een erkende TOSHIBA TEC verdeler voor bijstand. Het gebruik van het toestel onder deze omstandigheden kan aanleiding geven tot brand of elektrische schokken.</p>	 <p>Haal de stekker uit het stopcontact.</p>  <p>■ Trek niet aan het snoer om een stekker uit een stopcontact te halen. Dit kan het snoer beschadigen en de kerndraden blootleggen zodat gevaar voor brand en elektrische schokken ontstaat.</p>
 <p>Sluit een aarddraad aan.</p>  <p>■ Sluit steeds aan op een aarding. Verlengsnoeren moeten geaard zijn. Verlies van stroom kan aanleiding geven tot brand of elektrische schokken.</p>	 <p>Niet demonteren!</p>  <p>■ Verwijder geen kappen, herstel of wijzig het toestel niet zelf. U loopt gevaar op elektrische schokken of verwondingen t.g.v. een hoog voltage, hete onderdelen, scherpe randen die voorkomen in het toestel.</p>



LET OP

Duidt op groot gevaar voor **persoonlijke letsels** en beschadiging van de apparatuur.

Voorzorgen

Onderstaande voorschriften dragen bij tot een duurzame en goede werking van het toestel.

- Vermijd plaatsen die blootgesteld zijn aan volgende omstandigheden:
 - * Temperaturen zoals opgegeven (gespecificeerd)
 - * Rechtstreeks zonlicht
 - * Hoge vochtigheid
 - * Gemeenschappelijke elektrische voeding
 - * Trillingen
 - * Stof/gas
- Reinig de kappen met een doek die ondergedompeld werd in een zacht detergent en vervolgens goed uitgewrongen werd. Gebruik geen thinner of andere vluchtige middelen op de plastic kappen.
- Gebruik enkel door TOSHIBA TEC aanbevolen papier en linten.
- Bewaar geen papier of linten op plaatsen met rechtstreeks zonlicht, hoge temperaturen, vochtigheid, stof of gassen.
- De drukker moet gebruikt worden op een effen oppervlak.
- Gegevens opgeslagen in het geheugen van de drukker kunnen n.a.v. een fout verloren gaan.
- Sluit de drukker niet aan op dezelfde voeding als andere elektrische apparatuur, de spanning kan hierdoor wijzigen en aanleiding geven tot een verkeerde werking van het toestel.
- Haal de stekker uit het stopcontact voor elke handeling aan de binnenzijde van het toestel of wanneer u het toestel reinigt.
- Schakel de machine uit voor elke handeling aan de binnenzijde van de machine.
- Plaats geen zware voorwerpen op de machines daar deze voorwerpen mogelijk uit baalans zouden kunnen raken, omvallen en ongelukken veroorzaken.
- Voorkom oververhitting en mogelijk brand en blokkeer derhalve de ventilatie-openingen van de machines niet.
- Leun niet tegen het toestel. Het toestel kan op u vallen of kantelen en u verwonden. Leun niet tegen het toestel. Het kan op u vallen en u verwonden en/of defect worden.
- Let op het mes voor verwondingen.
- Haal de stekker uit het stopcontact wanneer het toestel lang niet gebruikt wordt.

Raadgeving betreffende het onderhoud

- Maak gebruik van onze onderhoudsdiensten.
Doe minstens éénmaal per jaar beroep op een TOSHIBA TEC verantwoordelijke om de binnenzijde van het toestel te laten reinigen. Een overdadige ophoping van stof in het toestel kan aanleiding geven tot brand of een verkeerde werking van het toestel.
- De onderhoudsdienst controleert en voert regelmatig de nodige werken uit teneinde een goede werking van het toestel te verzekeren en ongevallen te voorkomen.
Voor meer inlichtingen kunt u zich wenden tot een TOSHIBA TEC verantwoordelijke.
- Gebruik van insecticiden en andere chemicaliën.
Stel de drukker niet bloot aan insecticiden of andere vluchtige middelen. Deze producten kunnen de behuizing beschadigen of de verf aantasten.

INHOUDSTAFEL

	Pagina
1. INLEIDING	N1- 1
1.1 OMSCHRIJVING VAN HET TYPENUMMER	N1- 1
1.2 TOEBEHOREN	N1- 1
2. KENMERKEN	N2- 1
2.1 DRUKKER	N2- 1
2.2 OPTIES	N2- 2
2.3 MEDIA	N2- 3
2.4 LINTEN	N2- 3
3. OVERZICHT	N3- 1
3.1 VOOR-EN ACHTERZIJDE	N3- 1
3.2 BEDIENINGSBORD	N3- 1
4. DIP-SCHAKELAAR	N4- 1
5. INSTALLATIE WERKWIJZE	N5- 1
5.1 BENODIGDHEDEN	N5- 1
5.2 INSTELLING VAN DE DRUKKER	N5- 1
6. INSTALLATIE VAN DE DRUKKER	N6- 1
6.1 KONNEKTIE VAN HET VOEDINGSNOER EN DE KABELS	N6- 1
6.2 INSTALLATIE VAN DE MEDIA HOUDER	N6- 1
7. HET LADEN VAN LINTEN	N7- 1
8. HET LADEN VAN MEDIA	N8- 1
9. INSTALLATIE VAN HET "FLASH" GEHEUGEN (OPTIE)	N9- 1
10. HET INBRENGEN VAN DE PCMCIA BORD IN OPTIE	N10- 1
11. VOORZORGEN/BEHANDELING VAN MEDIA EN LINTEN	N11- 1
12. ONDERHOUD	N12- 1
12.1 REINIGING	N12- 1
12.2 ONDER DE MEDIA-GELEIDERS	N12- 3
12.3 BESCHERMINGSVLAKKEN EN DEKSELS	N12- 3
12.4 PAPIEROPSTOPPING	N12- 4
12.5 INSTELLING VAN DE VOEDINGSHOLTE	N12- 6
13. MOGELIJKE PROBLEMEN	N13- 1

WAARSCHUWING:

1. *Het is verboden deze handleiding volledig of gedeeltelijk te kopiëren zonder voorafgaande schriftelijke toelating van TOSHIBA TEC.*
2. *De inhoud van deze handleiding kan zonder enige verwittiging gewijzigd worden.*
3. *In geval van vragen of drukfouten, contacteer uw lokale TOSHIBA TEC verantwoordelijke.*

VERWITTING!

Dit is een Klasse A produkt. Het gebruik hiervan kan radio interferenties veroorzaken die de gebruiker ertoe kunnen dwingen sommige maatregelen te moeten treffen.

WAARSCHUWING:

Reak geen bewegende delen aan. Plaats de schakelaar op OFF om elke beweging te stoppen en het risico dat vingers, juwelen, kleding enz. door een bewegend deel gevangen worden uit te sluiten.

1. INLEIDING

Wij danken u voor uw keuze van de thermische drukker TEC B-672/682. Deze drukker met externe medirol is geschikt voor het drukken in de meest benard situaties. Door zijn uitstekende prijs/kwaliteitsverhouding en recentste technologie behoort deze drukker tot het topniveau van de drukkers van de nieuwe generatie. De nieuwe drukkop drukt tegen een snelheid van maximum 203.2 mm per seconde en biedt afdrucken van bijzonder hoge kwaliteit met een drukkensiteit van 12 punten per mm. De drukker is standaard uitgerust met een externe mediageleider.

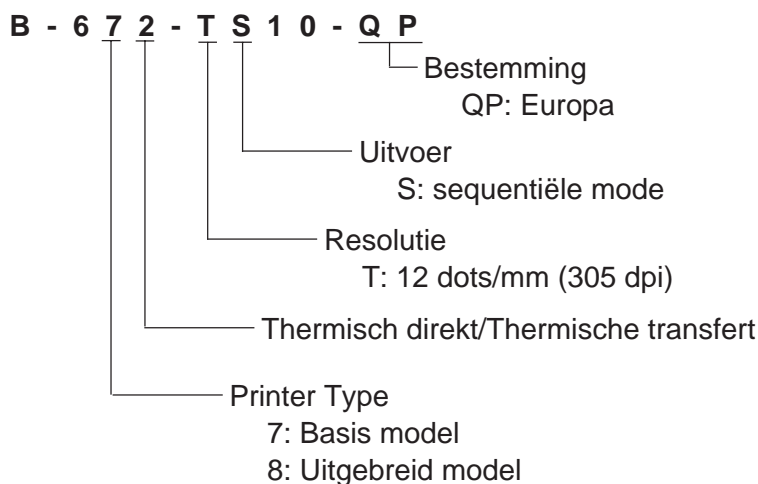
In optie kan het toestel ook met een ingebouwd oprol-en afpelmechanisme uitgerust worden. Deze handleiding biedt informatie over de algemene instelling en het onderhoud van de drukker. Wij raden u aan deze handleiding zorgvuldig door te nemen om een optimaal gebruik van uw drukker te bekomen. Grote aandacht werd besteed aan de veiligheid, zodat verkeerde handelingen de drukker niet kunnen beschadigen. Bewaar deze handleiding zorgvuldig als referentie.

De fabrikant kan niet verantwoordelijk gesteld worden indien veranderingen of wijzigingen aan het toestel werden gebracht zonder de uitdrukkelijke toestemming van TOSHIBA TEC.

1.1 OMSCHRIJVING VAN TYPENUMMER

- B-672-QP
- B-682-TS10-QP

Beschrijving van de naam van het model:

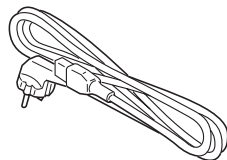


1.2 TOEBEHOREN

Gebruikers-
handleiding
(EO1-33016)



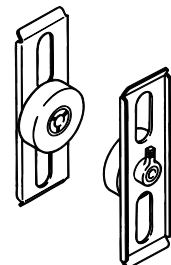
Voedingsnoer



Drukkopreiniger
(24089500013)



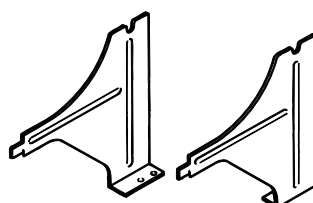
Media-houder



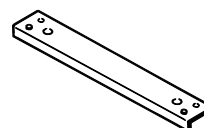
As van de media-
houder



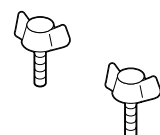
Linker/Rechter houder



Basis van de houder



Vlindervijzen
(M-4x6)



2. KENMERKEN

2.1 DRUKKER

Model	B-672/682-QP
Naam	
Voeding	Universeel (automatische schakelaar) 85-138 V, 50/60 Hz 187-276 V, 50/60 Hz Gebruik een gestandaardiseerd voedingsnoer
Verbruik	1.4 A, 260 W maximum (In stilstand: 270 mA, 26 W maximum)
Temperatuurslimiet	5°C ~ 40°C
Relatieve vochtigheid	25% ~ 85%RH (zonder condensatie)
Drukkop	Thermische drukkop 12 dots/mm (305 dots/inch)
Drukmethode	Thermisch direct/Thermische transfert
Druksnelheid	76.2 mm/sek., 101.6 mm/sek., 203.2 mm/sek.
Drukbreedte	170.6 mm
Verdeling van de etiketten	Batch, Afpelmode, snijmode (Snijmode en afpelmode zijn beschikbaar na installatie van het snij-en afpelmechanisme)
Scherm voor berichten	20 karakters x 1 lijn
Afmetingen	437 mm (B) x 282 mm (D) x 395 mm (H)
Gewicht	B-672: 25 kg (zonder papier en lint) B-682: 26 kg (zonder papier en lint)
Beschikbare barkode formaten	JAN8, JAN13, EAN8, EAN8 + 2 digits, EAN8 + 5 digits EAN13, EAN13 + 2digits, EAN13 + 5 digits UPC-E, UPC-E + 2 digits, UPC-E + 5 digits UPC-A, UPC-A + 2 digits, UPC-A + 5 digits MSI, ITF, NW-7, CODE39, CODE93, CODE128 EAN128, Industrial 2 to 5, Customer Bar Code, POSTNET, KIX CODE RM4SCC (ROYAL MAIL 4STATE CUSTOMER CODE)
Tweedimensionele code	Data Matrix, PDF417, QR Code, Maxi Code, Micro PDF417, CP Code (Enkel B-672)
Lettertypes	Times Roman en Helvetica (6 groottes), Presentation en Letter Gothic (1 grootte), Prestige Elite en Courier (2 groottes), OCR (2 types), Geschreven karakters (40 types, 2 byte karakters zijn beschikbaar: Enkel B-682), Vektoriële font (B-672: 1 type, B-682: 4 types), Prijskarakters (3 types: Enkel B-682)
Rotaties	0° , 90° , 180° , 270°
Standaard interfaces	Serieel (RS-232C) Prallel (Centronics) I/O interface Flash geheugen interface (Enkel B-672)
Optie	PCMCIA interface (Enkel B-682)

* *Data Matrix™* is a trademark of International Data Matrix, Inc.
PDF417 is a trademark of Symbol Technologies, Inc.

2.2 OPTIE

Naam	Type	Functie
Snijmodule	B-4208-QM	Een zwaaiemesmechanisme stopt en snijdt
Afpelmodule	B-4908-H-QM	Deze module pelt het etiket van de papierdrager af.
D-RAM PC Board (Enkel B-672)	_____	RAM chip waardoor de imagebuffer van 2MB.
Flash memory (Enkel B-672)	_____	Ene flash memory geheugenkaart (1Mb en 4Mb) voor het opslagen van logo's, writable karakters en formaten.
PCMCIA interface bord (Enkel B-682)	B-8700-PC- QM	Dit bord laat het gebruik van volgende kaarten toe: <ul style="list-style-type: none">• LAN kaart: 3 COM Ethernet connectie® (aanbevolen)• ATA kaart: conform met ATA PC kaart standaard• Flash geheugenkaart: 4 MB kaart (zie p. 10-1)

2.3 MEDIA

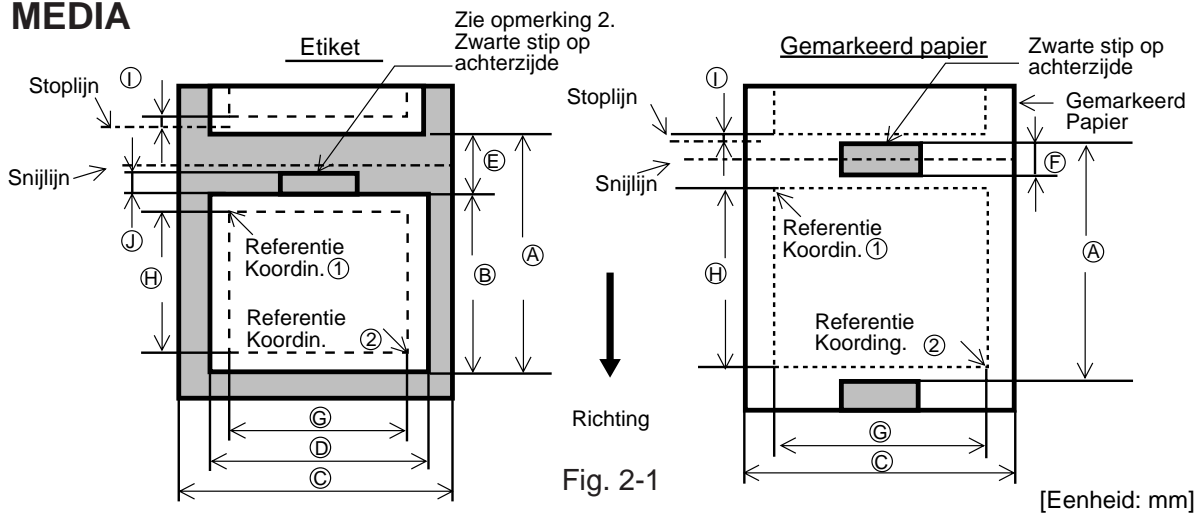


Fig. 2-1

[Eenheid: mm]

Beschrijving		Verdeling van de etiketten		Batch mode	Afpelmode	Snijmode
A: Spanwijdte van één etiket/ gemarkeerd papier	B-672			10.00 ~ 999.0	25.4 ~ 999.0	Etiket: 38 ~ 999.0 Gem. Papier: 25.4 ~ 999.0
	B-682			10.00 ~ 1709.0	25.4 ~ 1709.0	Etiket: 38 ~ 1709.0 Gem. Papier: 25.4 ~ 1709.0
B: Lengte van één etiket	B-672			7.5 ~ 996.5	22.9 ~ 996.5	25.0 ~ 993.0
	B-682			7.5 ~ 1707.0	22.9 ~ 1707.0	25.0 ~ 1703.0
C: Breedte met etiketdrage		84.0 ~ 175.0 (Zie opmerking 3.)				
D: Breedte van een etike		81.0 ~ 172.0				
E: Spatie tussen twee etiketten				2.5 ~ 20.0	2.5 ~ 20.0	6.0 ~ 20.0
F: Zwarte stip hoogte (Gemarkeerd papier)		2.5 ~ 10.0				
G: Werkelijke afdrubreedte		10.0 ~ 170.6				
Werkelijke afdruk- lengte	Etiket	Standaard	B-672	5.5 ~ 298.6	20.9 ~ 298.6	23.0 ~ 298.6
		Max. met geheugen module	B-682	5.5 ~ 1705.0	20.9 ~ 1705.0	23.0 ~ 1705.0
			B-672	5.5 ~ 981.3	20.9 ~ 981.3	23.0 ~ 981.3
	Gemarkeerd papier	Standaard	B-672	8.0 ~ 298.6	23.4 ~ 298.6	23.4 ~ 298.6
			B-682	8.0 ~ 1705.0	—	23.4 ~ 1705.0
		Max. met geheugen module	B-672	8.0 ~ 981.3	23.4 ~ 981.3	23.4 ~ 981.3
I: Onbedrukte zone		1.0				
J: Zwarte stip hoogte (Etiket)		Zie opmerking 2.				
Werkelijke lengte gekombineerde druk	Standaard	B-672	149.3			
		B-682	852.0			
		B-672	490.6			
Externe diameter		Ø200 Max.				
Dikte	Etiket	0.13 ~ 0.17				
	Tag	0.10 ~ 0.17				

OPMERKING:

- Overige kenmerken van de media zijn ongewijzigd.
- Specificaties zwarte stippen.
Indien de spatie tussen de etiketten kleiner is dan 4 mm, moet de zwarte stip hoger zijn dan 4 mm.
Indien de spatie tussen de etiketten groter is dan 4 mm, mag de zwarte stip het volgende etiket niet meer dan 4 mm overlappen.
- Bij een snelheid van 8"/sec. zal de breedte echter met inbegrip van de papierdrager 84 tot 150 mm bedragen. Bij gebruik van de snij- of afpel-module zal de breedte met inbegrip van de papierdrager 101.6 tot 175 mm bedragen.
- Het gebruik van media smaller dan het opgegeven minimum kan de levensduur van de drukkop beperken.
- Indien etiketten worden geprint met een snelheid van 8"/sek., moet printerkop minstens 1 mm in een etiket stoppen.

2.4 LINTEN

Type	Spoeltype
Breedte	115 mm ~ 185 mm (Zie opmerking 5.)
Lengte	300 m
Externe diameter	Ø72 mm (max.)

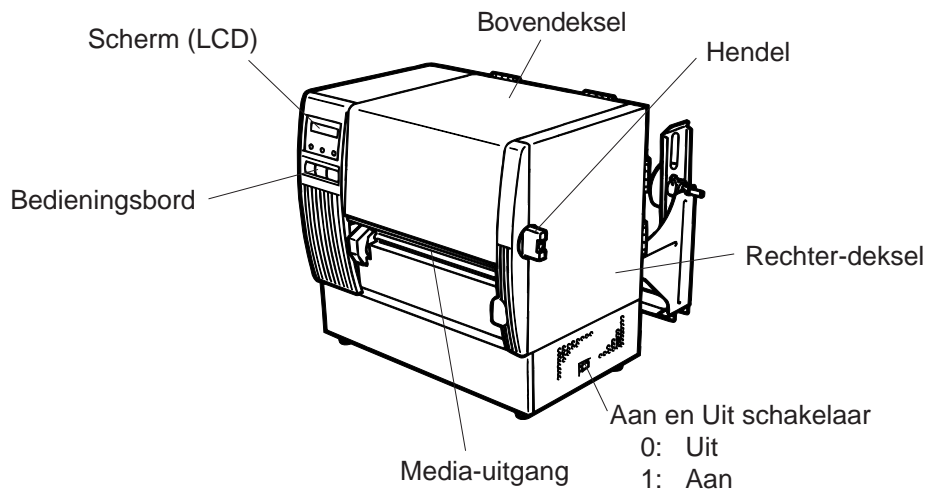
OPMERKING:

- Gekombineerde druk betekent dat de volgende etiket reeds aangemaakt wordt in geheugen terwijl de drucker de vorige etiket nog aan het drukken is.
- Gebruik steeds door TOSHIBA TEC aanbevolen media en linten om een betere drukkwaliteit te bekomen en de levensduur van de drukkop te verlengen.
- Bij gebruik van de snijmodule moet de lengte van elk etiket samen met de afstand tussen twee etiketten groter zijn dan 35 mm. (m.a.w. de etiketpitch moet groter zijn dan 35 mm).
- Het lint zal niet kreuken indien het minstens 5 mm breder is dan de media. Niettemin, kan een te groot verschil in breedte tussen beiden tevens aanleiding geven tot kreuken.
- Echter bij een snelheid van 8"/sec. moet rekening gehouden worden met een breedte van 115 tot 160 mm.

3. OVERZICHT

3.1 VOOR- EN ACHTERZIJDE

Voorzijde



Achterzijde

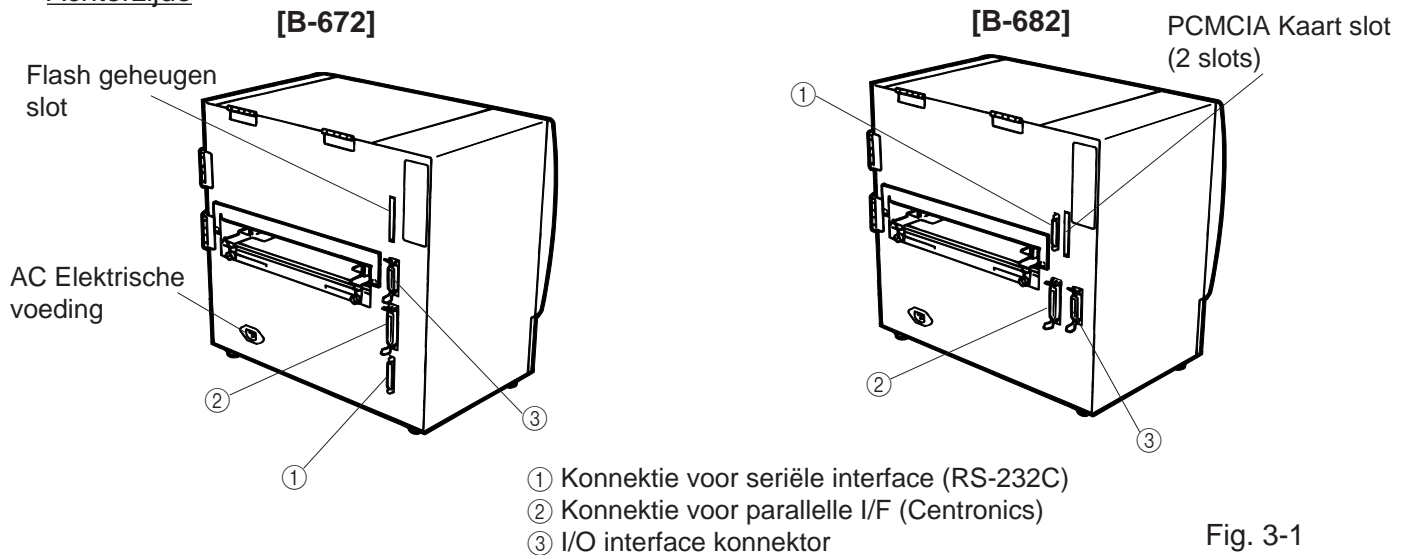


Fig. 3-1

3.2 BEDIENINGSBORD

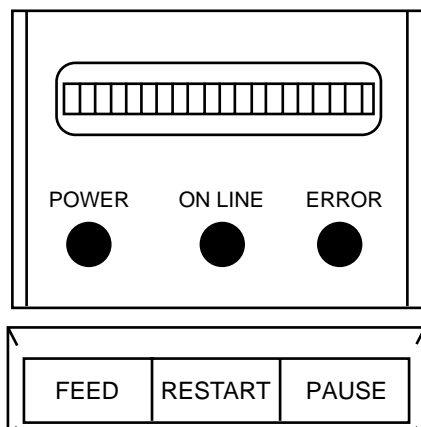


Fig. 3-2

LCD SCHERM

"In lijn" verschijnt op het scherm nadat de drukker aangezet wordt en gereed is voor het drukken.

POWER LED (Groen)

Licht op wanneer de drukker aangezet wordt.

ON-LINE LED (Groen)

- 1) Flikkert wanneer de drukker in verbinding staat met een computer.
- 2) Licht op wanneer de drukker drukt.

ERROR LED (Rood)

Licht op bij een communicatie probleem, bij een tekort aan verbruiksmateriaal of wanneer de drukker niet werkt zoals het hoort.

FEED Knop

Om papier aan te voeren.

RESTART Knop

Start de drukker opnieuw op na een pauze of fout. Wordt gebruikt om de media-sensor in te stellen. (Zie pagina 12-6.)

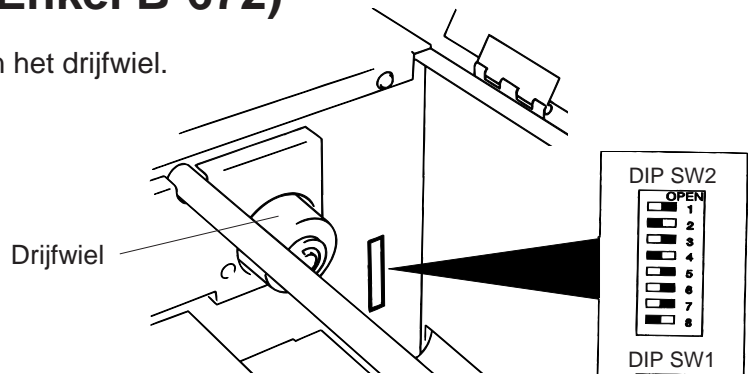
PAUSE Knop

Om het drukken tijdelijk te stoppen. Het bericht "PAUSE" verschijnt op het scherm samen met het niet afgedrukt aantal. Wordt gebruikt om de media-sensor in te stellen. (Zie pagina 12-6.)

4. DIP-SCHAKELAAR (Enkel B-672)

Deze schakelaar bevindt zich rechts van het drijf wiel.

WAARSCHUWING!
Zet eerst de drukker af om deze schakelaar in te stellen.



(1) DIP-Schakelaar 2

Nr	ON/OFF		Functie	
	1	2		
1	OFF	OFF	2400 BPS	Snelheid van de transmissie
	ON	OFF	4800 BPS	
2	OFF	ON	9600 BPS	Snelheid van de transmissie
	ON	ON	19200 BPS	
3	OFF		1 bit	Aantal stop bits
	ON		2 bits	
4	OFF		7 bits	Data lengte
	ON		8 bits	
5	OFF		Geen	Pariteit
	ON		Met	
6	OFF		Even	Pariteit (effectief wanneer DIP-schakelaar op ON staat)
	ON		Oneven	
7	OFF	OFF	XON/XOFF (Geen XON bij het aanzetten van drukker.) (Geen XOFF bij het afzetten van drukker.)	Gegevens protocol
	ON	OFF	READY/BUSY (DTR) (Geen XON bij het aanzetten van de drukker.) (Geen XOFF bij het afzetten van de drukker.) READY/BUSY (RTS) (Geen XON bij het aanzetten van de drukker.) (Geen XOFF bij het afzetten van de drukker.)	
8	OFF	ON	XON/XOFF+READY/BUSY (DTR) (XON bij het aanzetten van de drukker.) (XOFF bij het afzetten van de drukker.)	Gegevens protocol
	ON	ON	XON/XOFF (Geen XON bij het aanzetten van drukker.) (Geen XOFF bij het afzetten van drukker.)	

Fig. 4-1

(2) DIP-Schakelaar 1

Nr	ON/OFF			Functie	
	2	3	4		
1	OFF			Moet op OFF staan	
	ON				
2	OFF	OFF	OFF	Engels	
	ON	OFF	OFF	Duits	
	OFF	ON	OFF	Frans	
3	ON	ON	OFF	Nederlands	
	OFF	OFF	ON	Spaans	
	ON	OFF	ON	Japannees	
4	OFF	ON	ON	Italiaans	
	ON	ON	ON	Niet gebruikt	
5	OFF			Zonder	
	ON			Met	
6	OFF			Moet op OFF staan	
	ON				
7	OFF			Vast type	
	ON			Variabele type	
8	OFF			Moet op OFF staan	
	ON				

OPMERKING: De standaardinstellingen worden aangeduid door een schaduwkleur. "OFF" betekent "OPEN".

5. INSTALLATIE WERKWIJZE

5.1 VEREISTEN VOOR GEBRUIK

De B-672/682 heeft de volgende eisen:

- De host computer moet voorzien zijn van een seriële of parallelle poort.
- Om te kommunikeren met de host zijn een RS-232C kabel of Centronics kabel vereist.
 - (1) RS-232C kabel 25 pins
 - (2) Centronics kable 36 pins
- Met behulp van de interface/kommunikatie handleiding kunt u etiketten kreëren en afdrukken volgens een bepaald programma.

■ Interface kabels

Om straling en de ontvangst van ruis tegen te gaan, moeten de interface kabels aan volgende eisen beantwoorden:

- Volledig afgeschermd en uitgerust zijn met een metalen of gemetalliseerde aansluitingdoos.
- Zo kort mogelijk zijn.
- Niet strak samengebundeld zijn met voedingsnoeren.
- Niet verankerd zijn naast voedingslijnen.

■ RS-232C kabel beschrijving

De seriële communicatiekabel voor aansluiting van de drukker met de computer moet als volgt uitgevoerd worden :

OPMERKING: Gebruik een RS-232C kabel waarvan de bevestigingschroeven mm draad type zijn.

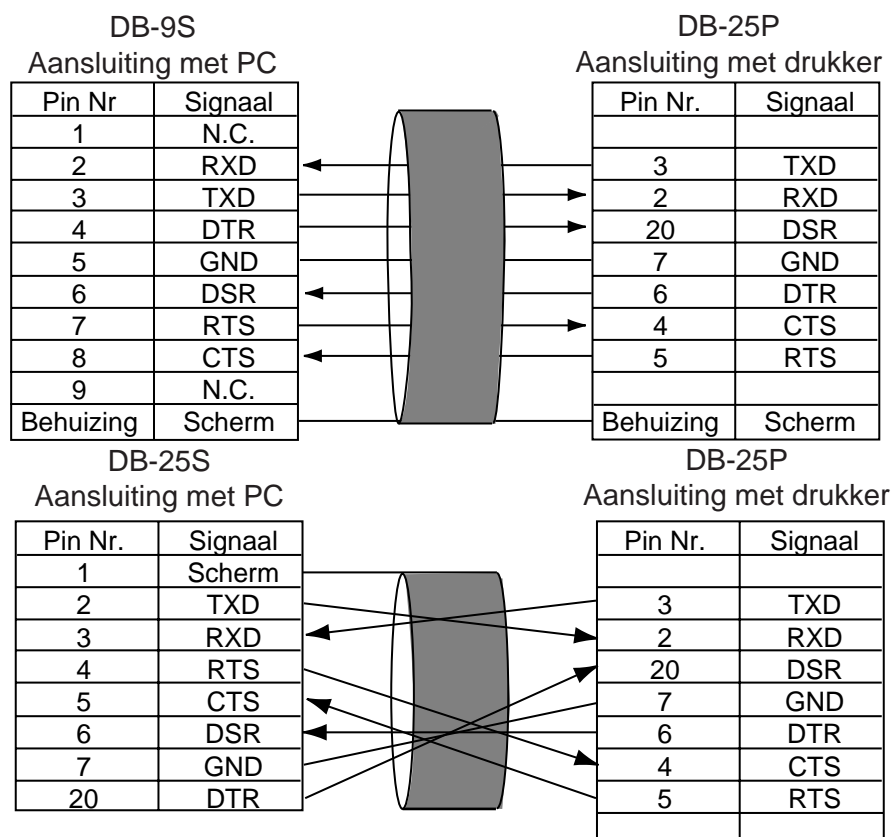


Fig. 5-1

5.2 INSTELLING VAN DE DRUKKER

- Plaats de drukker op een effen, stabiel oppervlakte.
- Gebruik een elektrische installatie met aarding, geen transformator.
- Voorzie genoeg ruimte rond de drukker zodat gebruik en onderhoud moeiteloos kunnen verlopen.
- Voorkom statische elektriciteit op uw werkrumete.

6. INSTALLATIE VAN DE DRUKKER

6.1 KONNEKTIE VAN HET VOEDINGSNOER EN DE KABELS

WAARSCHUWING!

Zet eerst de drukker af (schakelaar op "OFF") om het voedingsnoer en de kabels te installeren.

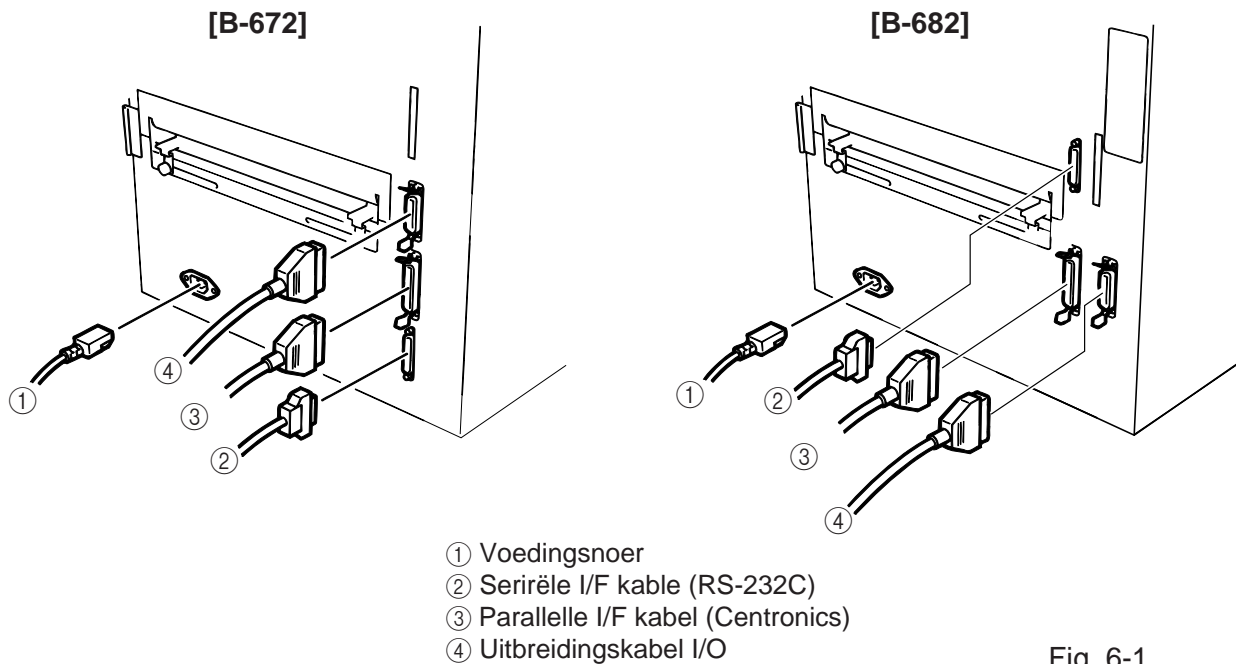


Fig. 6-1

OPMERKING: Verschillende kabels kunnen samen niet gebruikt worden.

6.2 INSTALLATIE VAN DE MEDIA-HOUDER

Plaats de linker en rechter staander op de overeenkomstige openingen van de basishouder en maak ze vast d.m.v. de vlindervijzen.

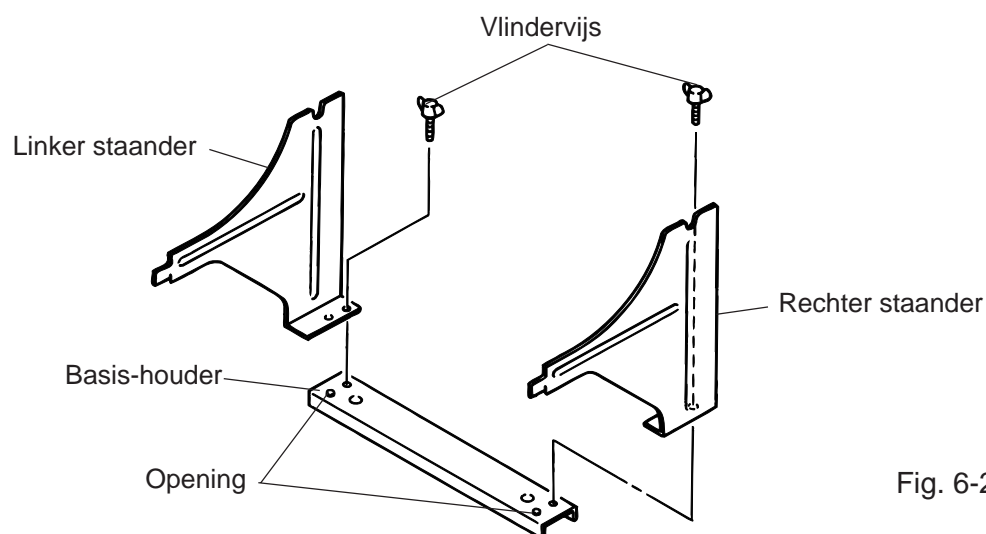


Fig. 6-2

7. HET LAEN VAN LINT

WAARSCHUWING!

1. *Reak geen bewegende delen aan. Plaats de schakelaar op OFF om elke beweging te stoppen het risico dat vingers, juwelen, kleding enz. door een bewegend deel gevangen worden uit te sluiten.*
2. *Let op voor kwetsuren en verplettering van uw vingers bij het openen en sluiten van de kap.*

Twee soorten papier kunnen gebruikt worden: standaard papier en thermisch papier. **LAAD NOOIT** geen lint als thermisch papier gebruikt wordt.

1. Zet het toestel af en verwijder het bovendeksel en het rechter vlak.
2. Draai de drukkophendel tegenwijzerszin tot op positie "OPEN" en verhef het hoofdsluitplaatje.

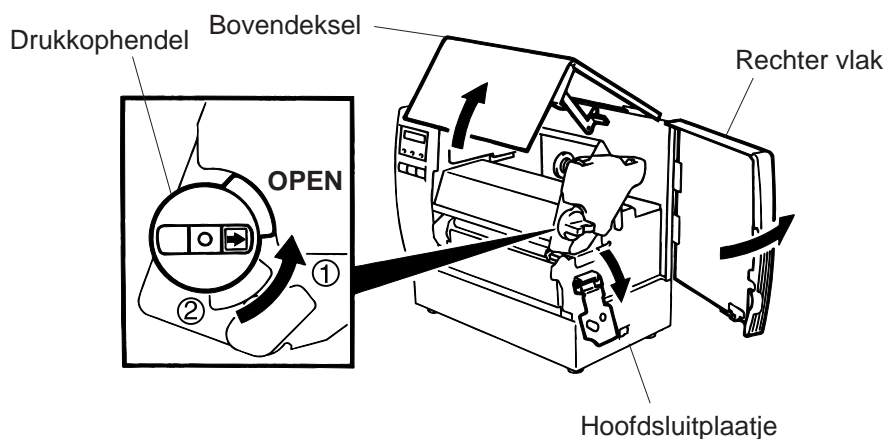


Fig. 7-1

Positie van drukkophendel

- ①: Etiketten of dun gemarkeerd papier
- ②: Stevig gemarkeerd papier
- OPEN: Vervanging lint/media

3. Ontrol en ontspan even het lint cfr. figuur 7-2.
4. Plaats het lint onder de drukblok zodat het einde van het lint zich aan de achterzijde van de drukker bevindt.

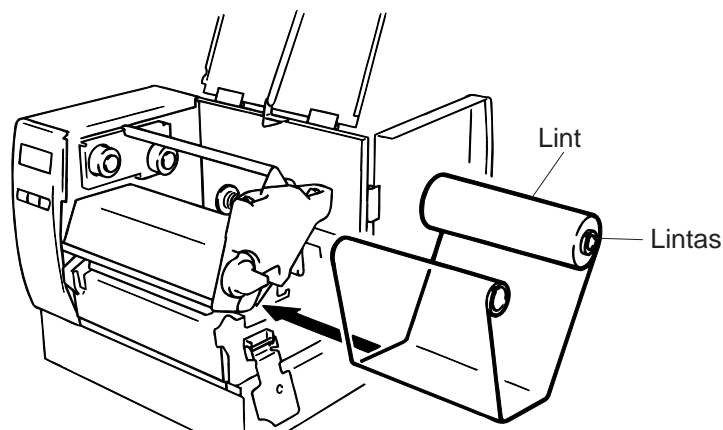


Fig. 7-2

5. Duw de lintas tegen het springwiel en aligneer het uitstulpsel van het drijf wiel met de inkeping op het lintas en plaats het lint.
6. Draai het lint in de richting van de pijlen om speling in het lint weg te werken.
7. Als het lint plooiën of fronsen vertoont, span het dan op d.m.v. de linthendels.

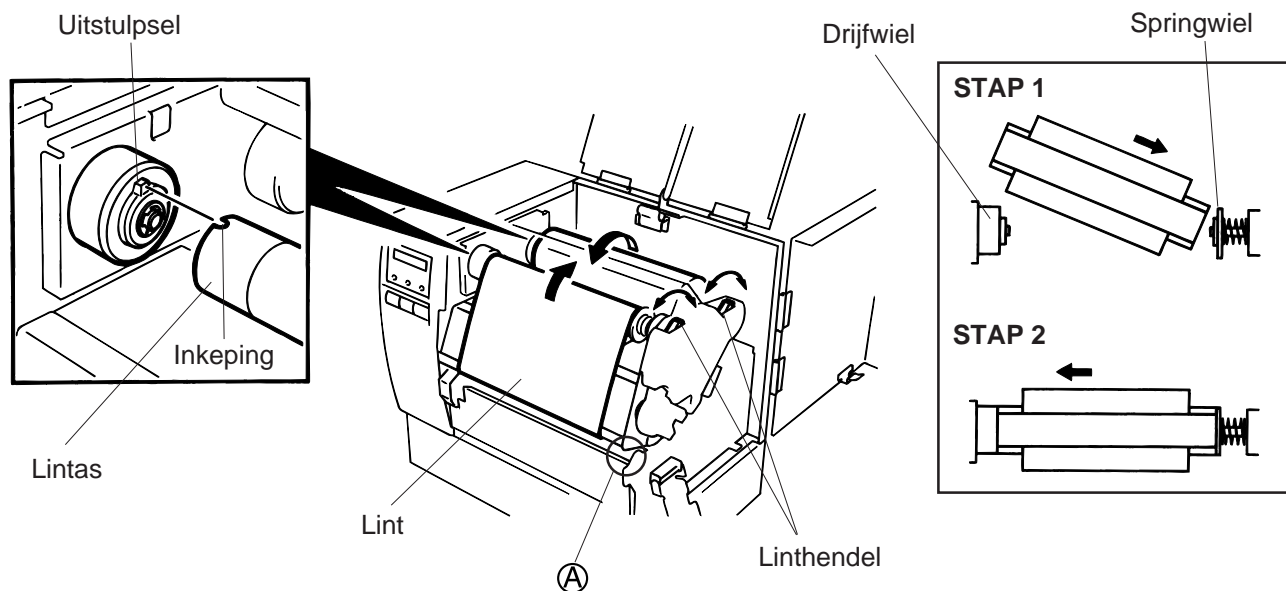


Fig. 7-3

OPMERKING: Wees voorzichtig dat het lint bij verwijdering niet blijft hangen ter hoogte van plaats ①.

8. Plaats het hoofsluitplaatje.
9. Plaats de drukkophendel op de juiste positie naargelang de gebruikte media. (Zie Figuur 7-1)
 - ①: Etiketten of dun gemarkeerd papier
 - ②: Dik gemarkeerd papier

OPGELET: Wees zeker dat de drukkophendel op positie ① staat indien u etiketten gebruikt.

8. HET LADEN VAN MEDIA

WAARSCHUWING!

1. *Reak geen bewegende delen aan. Plaats de schakelaar op OFF om elke beweging te stoppen het risico dat vingers, juwelen, kleding enz. door een bewegend deel gevangen worden uit te sluiten.*
2. *Let op voor kwetsuren en verplettering van uw vingers bij het openen en sluiten van de kap.*

1. Installeer de mediahouder aan de achterzijde van de drukker.
2. Draai de vijs **A** los en verplaats de externe media-geleiders naar buiten.

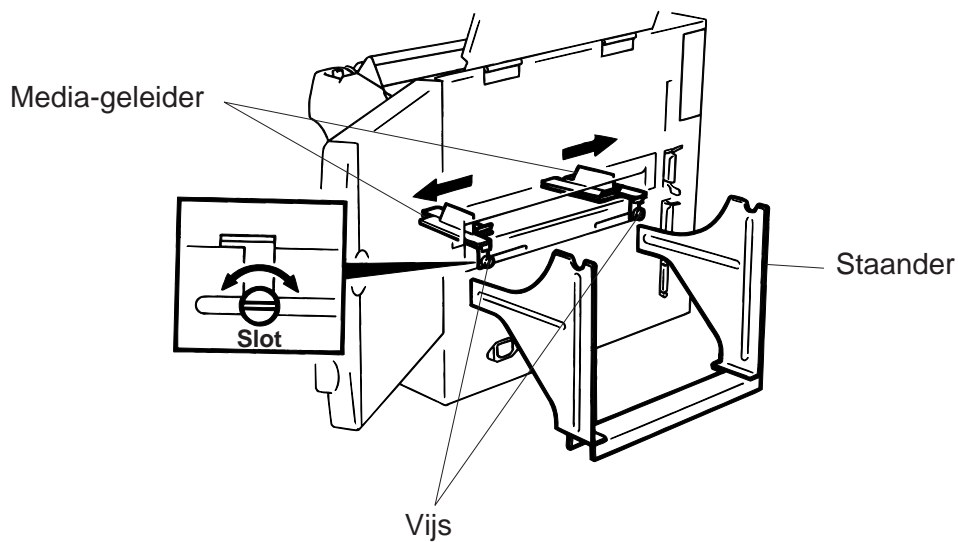


Fig. 8-1

OPGELET:

VERPLAATS de mediageleiders NIET m.b.v. de vijs.

3. Sluit de media-houder voorzichtig met de sluihendel.
4. Duw de mediarol-as door de media, plaats vervolgens één van de standers en fixeer hem d.m.v. de sluihendel.

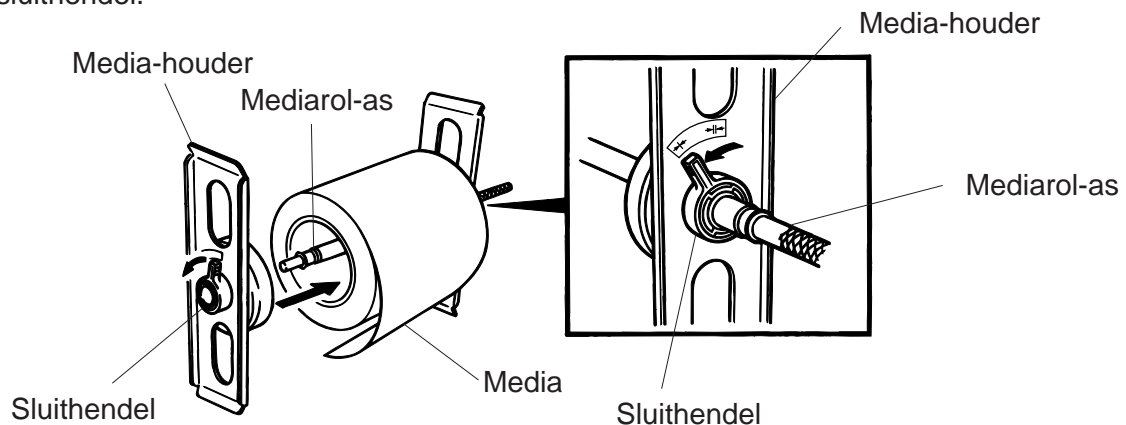


Fig. 8-2

5. Open de sluitendels van de media-staanders. Fixeer de staanders d.m.v. de sluitendels en aligneer de media-geleiders met de media. Draai de vijs goed vast.

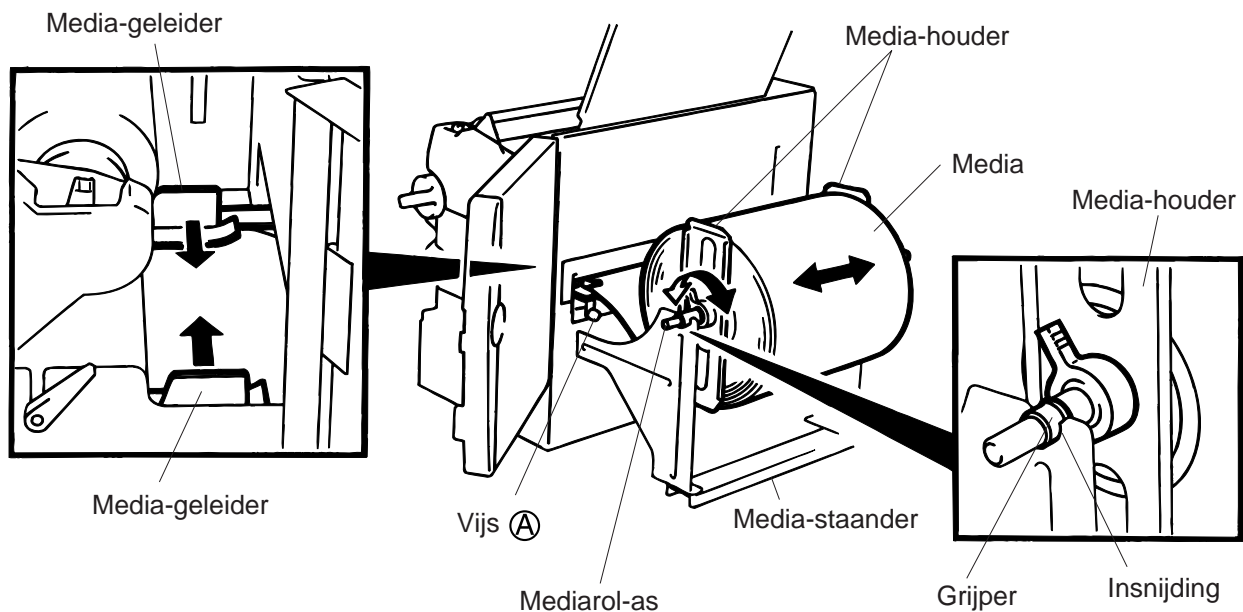


Fig. 8-3

OPMERKING: Plaats zorgvuldig de grippers van de mediarol-as op de insnijdingen van de media-staanders.

6. De zwarte stip/voedingsholte sensor kan op de B-672 geselecteerd worden tussen het vaste type en het veranderlijk type door wijziging van de instelling van de DIP schakelaar. Stel u in verbinding met een erkende TOSHIBA TEC verdeler om de instelling van het bedienbord van de B-682 te wijzigen. Als het vaste type gekozen wordt, staat de zwarte stip sensor in het midden van de media en bevindt zich de voedingsholte op 10 mm van de sensor. De variabele sensor kan zich overal tussen de linkerzijde van de effectieve drukkbreedte en de vaste sensor bevinden. Na wijziging van het sensor type, moet de gevoeligheid van de sensor aangepast worden. Kontakteer hiervoor uw TOSHIBA TEC verantwoordelijke.

7. Stel de zwarte stip/voedingsholte sensor in. Draai de knop naar rechts om hem naar het centrum van de media te verschuiven, naar links om hem weg van het centrum te verschuiven.

■ Instellingsprocedure van de zwarte stip sensor

(Met volgende procedure zal deze instelling gemakkelijk verlopen.)

- ① Voer ongeveer 500 mm papier uit de drukker, vouw het om en duw het uiteinde onder de drukkop tot aan de media-sensor zodat de zwarte stip zichtbaar is.
- ② Stel de sensor in op het centrum van de zwarte stip (de bovenste holte stemt overeen met de positie van de sensor).

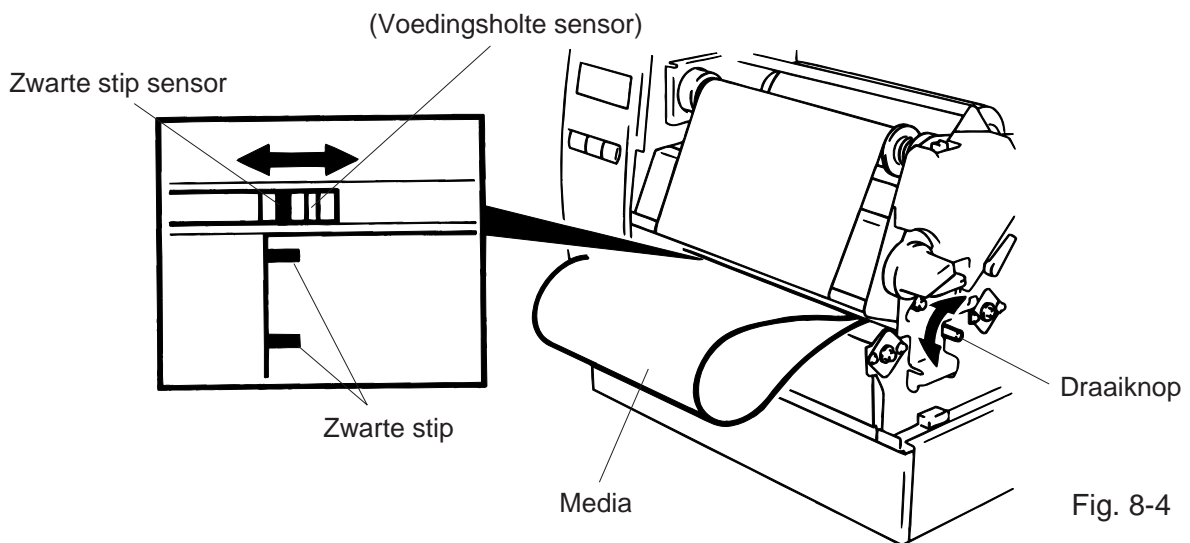


Fig. 8-4

OPMERKING: De zwarte stip sensor moet ingesteld worden op het centrum van de zwarte stip anders is er kans op papieropstopping.

■ Instellingsprocedure van de voedingsholte sensor

Stel de voedingsholte sensor in op de voedingsholte. (De onderste holte stemt overeen met de positie van de sensor.)

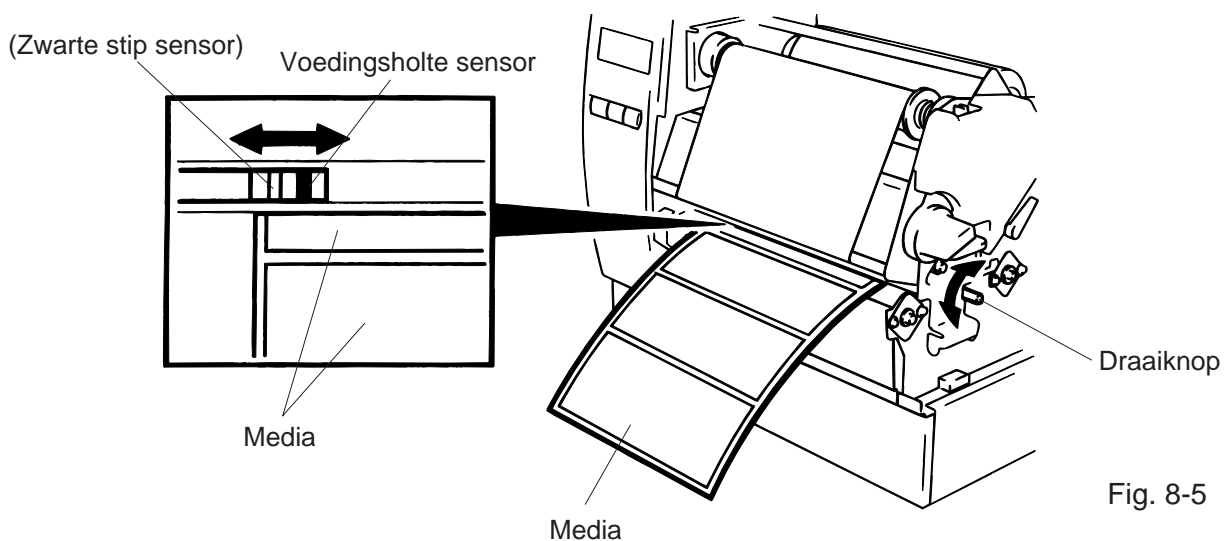


Fig. 8-5

8. Het laden van de media en de instelling van de media-sensor zijn voltooid.

Batch type:

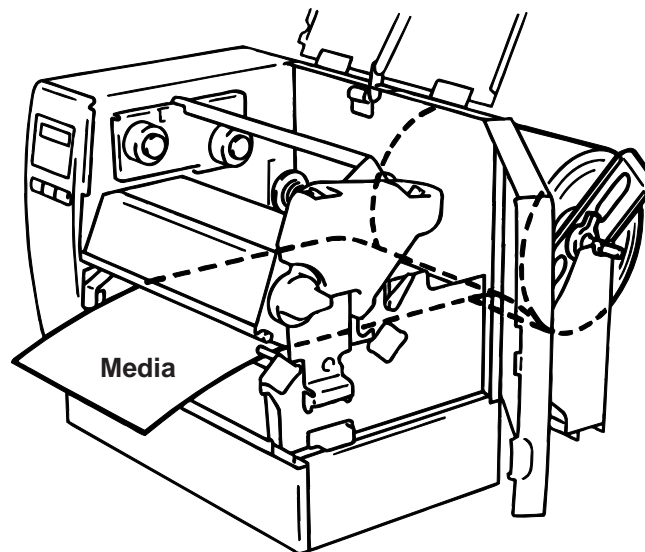


Fig. 8-6

Snijtype: Wanneer het mes gebruikt wordt, moet de media door de uitgang van de snijmodule doorgevoerd worden.

- OPMERKING:**
1. Zorg ervoor dat enkel de papierdrager gesneden wordt. Etiketten kunnen lijm achterlaten die de levensduur en de kwaliteit van het mes niet ten goede komt.
 2. Wanneer op een B-672 het uiteinde van het etiket zich in snijmode windt rond de drukrol, moet u de DIP schakelaar 1-5 op ON instellen. Stel u in verbinding met een erkende TOSHIBA TEC verdeler om de instelling van het bedienbord van de B-682 te wijzigen.
 3. Papier waarvan de dikte buiten de standaard valt, kan de levensduur van het mes beïnvloeden.

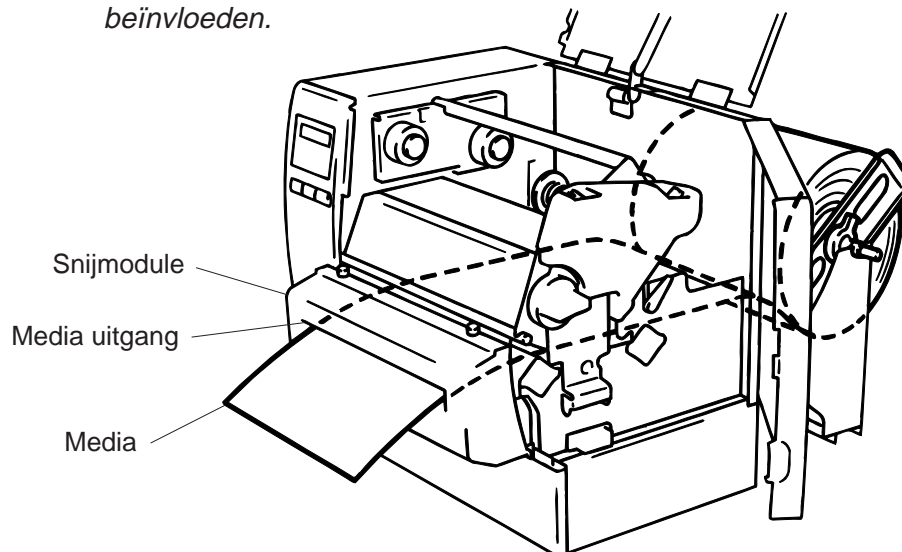


Fig. 8-7

Afpeel type:

- ① Verwijder een aantal etiketten van het uiteinde van de rol tot ongeveer 200 mm papierdrager vrijkomt.
- ② Verlos de hendel van de papierdrager.
- ③ Schuif de papierdrager tussen de afpeelrol en de papierdragerhouder. Span de media goed aan en plaats de hendel van de papierdrager terug.

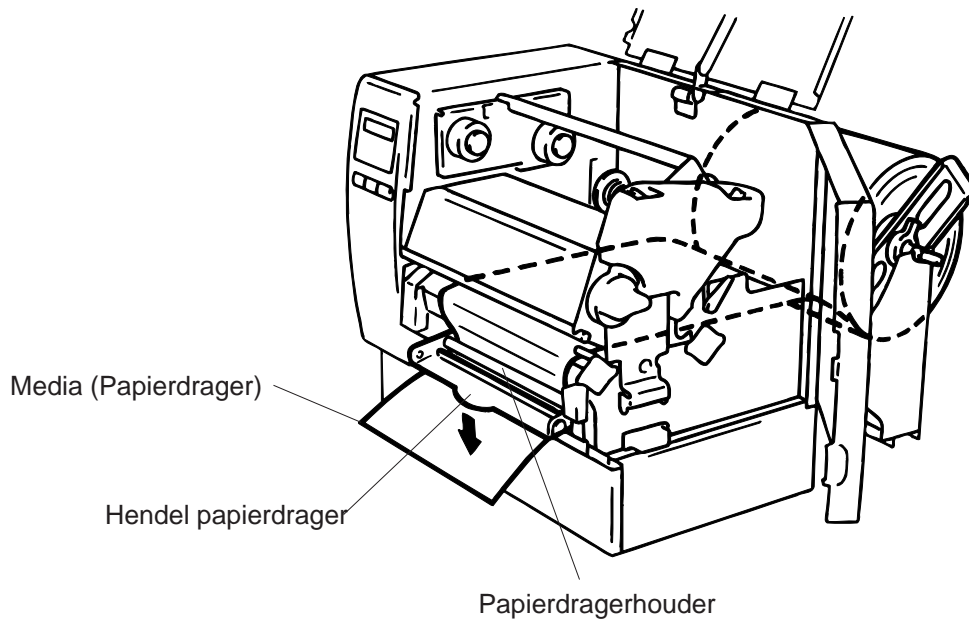


Fig. 8-8

9. Plaats de drukkophendel op de juiste positie naargelang de gebruikte media. (Zie Figuur 7-1)
 - ①: Etiketten of dun gemarkeerd papier
 - ②: Dik gemarkeerd papier

OPGELET: Wees zeker dat de drukkophendel op positie ① staat indien u etiketten gebruikt.

10. Sluit het bovendeksel en het rechter vlak.

9. INSTALLATIE VAN DE "FLASH GEHEUGEN" KAART (Optie) (Enkel B-672)

WAARSCHUWING!

1. Zet de drukker steeds af om de flash geheugen kaart in en uit haar slot te halen.
2. Beveilig de geheugenkaarten tegen de statische electriciteit van uw lichaam door de achterkap van de drukker aan te raken voor u de kaarten neemt.

1. Zet de drukker af.
2. Duw de flash geheugen kaart waarop de gegevens, logos, karakters en drukkommando's bewaard werden in haar slot.
3. Zet de drukker aan.

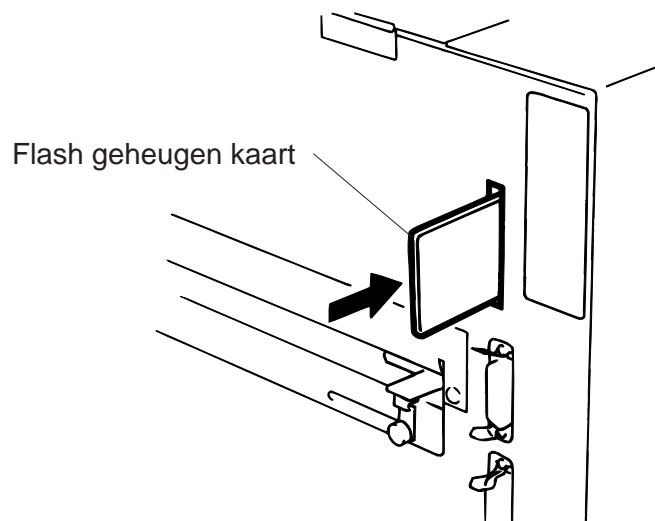


Fig. 9-1

OPMERKING:

1. Bescherm de flash geheugen kaart door haar steeds in haar houder op te bergen.
2. Vermijd druk- en schokbewegingen bij de behandeling van de flash geheugen kaart.
3. Vermijd blootstelling van de kaart aan te hoge temperaturen afkomstig van zonlicht of verwarmings-toestellen.
4. Vermijd blootstelling van de flash geheugen kaart aan vochtigheid door haar te wrijven met een natte doek of haar achter te laten in een vochtige ruimte.
5. De drukker moet steeds afgezet worden alvorens de flash geheugen kaart in en uit haar slot te halen.
6. Volgende flashkaarten kunnen gebruikt worden. (De 1 MB flashkaart is "read only", de 4 MB flashkaart is respectievelijk "read/write").

Vermogen	Maker	Type	Code toestel	Code maker
1M Byte	Maxell	EF-1M-TB AA	D0H	1CH
	Mitsubishi	MF81M1-GBDAT01		
4M Byte	Maxell	EF-4M-TB CC	88H	B0H
	Maxell	EF-4M-TB DC	ADH	04H
	Centennial Technologies INC.	FL04M-15-11119-03	A2H	01H
	INTEL	IMC004FLSA		89H
	Simple TECHNOLOGY	STI-FL/4A		
	Mitsubishi	MF84M1-G7DAT01		
	PC Card KING MAX	FJN-004M6C		
PC Card	FJP-004M6R	A0H	89H	

10. HET INBRENGEN VAN DE PCMCIA BORD IN OPTIE (Enkel B-682)

VERWITTING:

Zet de drukker af wanneer u het bord inbrengt of weghaalt.

LET OP:

Om de kaart te beschermen, verwijdert u best de statische elektriciteit van uw lichaam door de achterkap van de printer aan te raken, voor u het PCMCIA bord in handen neemt.

1. Zet de drukker af.
2. Zet het PCMCIA bord in het slot aan de achterzijde van de printer.
3. Zet de drukker aan.

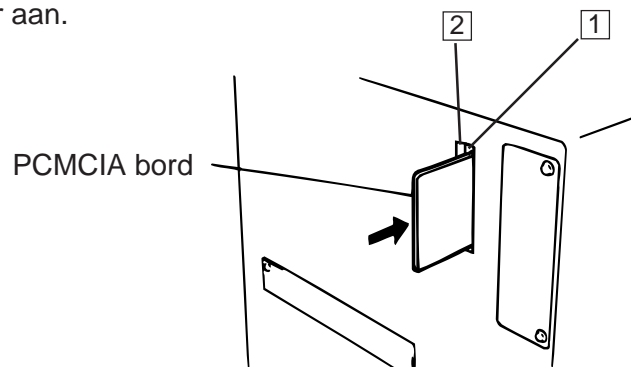


Fig. 10-1

- OPMERKINGEN:**
1. Plaats het PCMCIA bord in de beschermhoes wanneer het zich niet in de printer bevindt.
 2. Vermijd druk- en schokbewegingen bij de behandeling van de flash geheugen kaart.
 3. Vermijd blootstelling van de kaart aan te hoge temperaturen afkomstig van zonlicht of verwarmings-toestellen.
 4. Vermijd blootstelling van de flash geheugen kaart aan vochtigheid door haar te wrijven met een natte doek of haar achter te laten in een vochtige ruimte.
 5. De drukker moet steeds afgezet worden alvorens de flash geheugen kaart in en uit haar slot te halen.
 6. De volgende PCMCIA kaarten kunnen gebruikt worden.

Type	Maker	Beschrijving	Opmerkingen
ATA Kaart	Een kaart overeenkomstig de standaard van een ATA PC kaart.		_____
LAN Kaart	3 COM	Ether Link 3C589SD PC kaart	Enkel te installeren op het slot (2). (Op het slot (1) werkt deze kaart niet).
Flash geheugenkaart (4 MB)	Maxell	EF-4M-TB <input type="checkbox"/> CC EF-4M-TB <input type="checkbox"/> DC	_____

7. Plaats de LAN kaart in het slot (2).

11. VOORZORGEN EN BEHANDELING VAN HET VERBRUIKSMATERIAAL

WAARSCHUWING:

Lees aandachtig deze handleiding en zorg ervoor dat de inhoud goed begrepen werd. Gebruik enkel de door TOSHIBA TEC aanbevolen media en etiketten. Het gebruik van andere media/etiketten kunnen aanleiding geven tot onleesbare barkodes en beschadiging van de drukkop. De gebruikte media moet zich in een perfecte staat bevinden. Beschadigd materiaal kan aanleiding geven tot onleesbare barkodes en beschadiging van de drukkop. Lees aandachtig de volgende richtlijnen.

- Eerbiedig de aanbevolen opbergtermijn.
- De rollen moeten op hun vlakke zijden opgeborgen worden. Vervormd materiaal kan aanleiding geven tot een slechte mediavoeding en een slechte druk kwaliteit.
- Bewaar het materiaal in een plastic zakje dat steeds zorgvuldig wordt afgesloten. Het materiaal moet beveiligd worden tegen stof en vuiligheid. Stof en vuiligheid kunnen vroegtijdige slijtage van de drukkop teweegbrengen.
- Bewaar het materiaal koel en droog. Vermijd lokaties blootgesteld aan rechtstreeks zonlicht, hoge temperaturen, vochtigheid, stof en gassen.
- Het thermisch papier gebruikt voor thermische druk mag de volgende waarden niet overschrijden: Na⁺ 800 ppm, K⁺ 250 ppm en CL⁻ 500 ppm.
- De samenstelling van sommige inktsoorten op voorgedrukte etiketten kan chemische bestanddelen bevatten die de levensduur van de drukkop kunnen beïnvloeden. Gebruik geen voorgedrukte etiketten met inktsoorten die harde componenten zoals Calcium Carbonate (CaCO₃) en kaolin (Al₂O₃, 2SiO₂, 2H₂O) inhouden.

Voor meer informatie, kunt u zich wenden tot de leverancier van uw drukker of media.

12. ALGEMEEN ONDERHOUD

WAARSCHUWING!

1. Wees voorzichtig, de drukkop kan zeer heet worden.
2. Let op het mes voor verwondingen.
3. Reak geen bewegende delen aan. Plaats de schakelaar op OFF om elke beweging te stoppen het risico dat vingers, juwelen, kleding enz. door een bewegend deel gevangen worden uit te sluiten.
4. Let op voor kwetsuren en verplettering van uw vingers bij het openen en sluiten van de kap.

12.1 REINIGING

WAARSCHUWING!

1. Haal de stekker uit het stopkontakt, alvorens de drukker te reinigen.
2. Gebruik geen voorwerpen die de drukkop zouden kunnen beschadigen.
3. Vermijd RECHTSTREEKS KONTAKT van de drukker met water.

Reiniging van het materiaal is nodig om de goede kwaliteit van het materiaal te bewaren. Naargelang de intensiteit van het gebruik moet het materiaal elke dag of een maal per week onderhouden worden.

1. Zet de drukker af.
2. Verwijder het bovendeksel en het rechter vlak.
3. Maak de drukkop los m.b.v. de hendels.
4. Verwijder lint en media.
5. Reinig de drukkop met de drukkopreiniger.
6. Reinig de schrijffrol met behulp van een met alcohol bevochtigde doek.

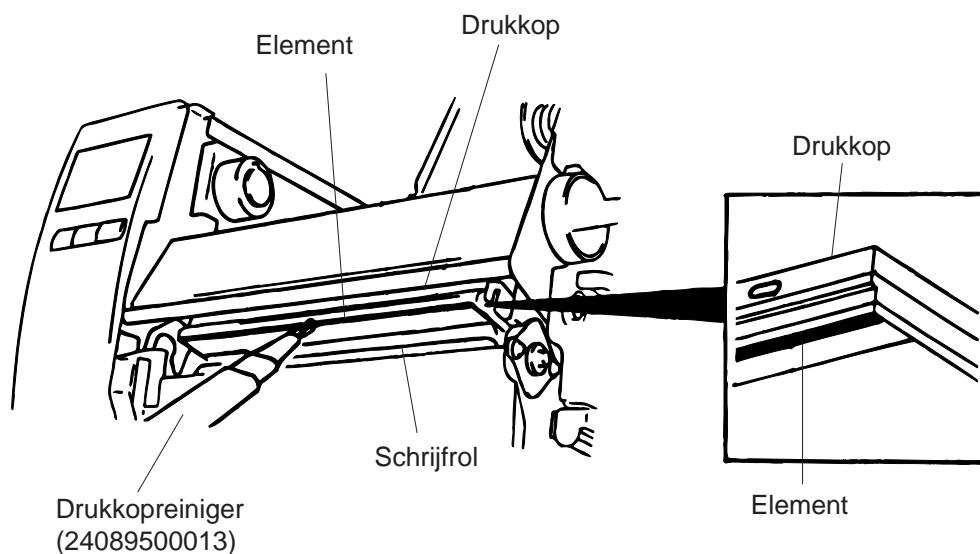


Fig. 12-1

7. Draai de hendel van de rolklem naar rechts.
8. Verwijder de witte vijs en maak de lintsensorplaat los.

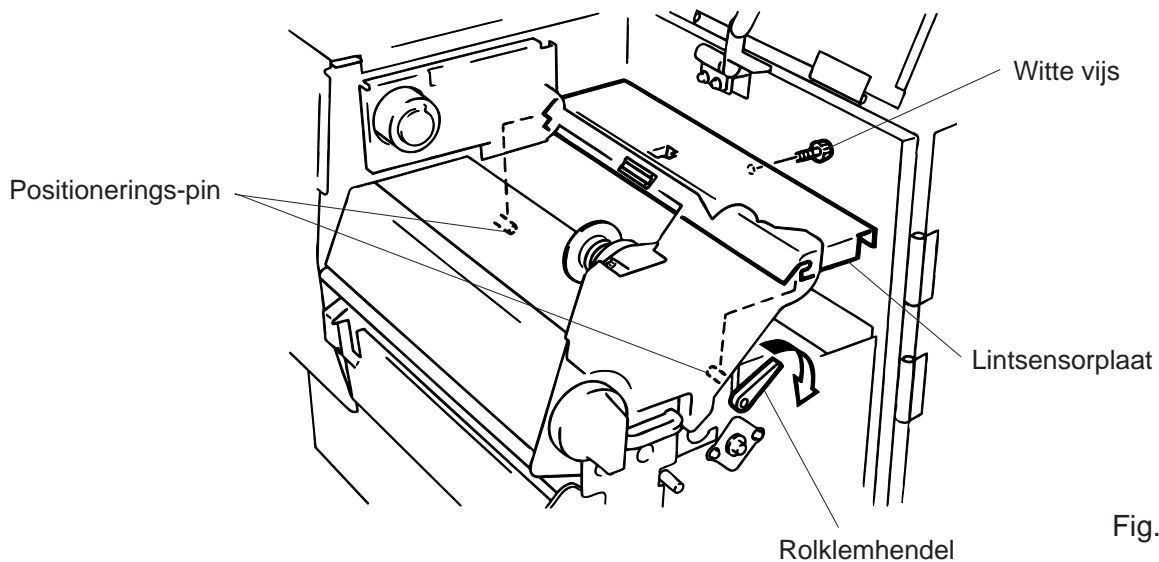


Fig. 12-2

OPMERKING: Bij installatie van de lintsensorplaat moeten de twee positioneringspinnen geplaatst worden in de daartoe voorziene insnijdingen.

9. Verwijder de rolklemblok en reinig de twee rolklemmen en media-geleiders met een doek bevochtigd met alcohol.

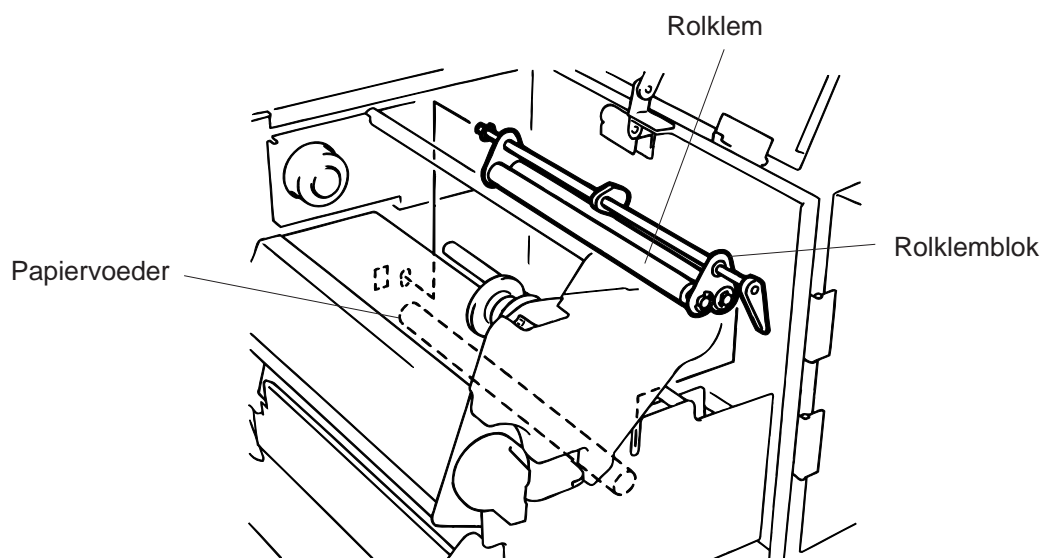


Fig. 12-3

10. De montage de rolklemblok geschiedt in omgekeerde volgorde.

12.2 ONDER DE MEDIA-GELEIDERS

1. Verwijder de media-geleiders.

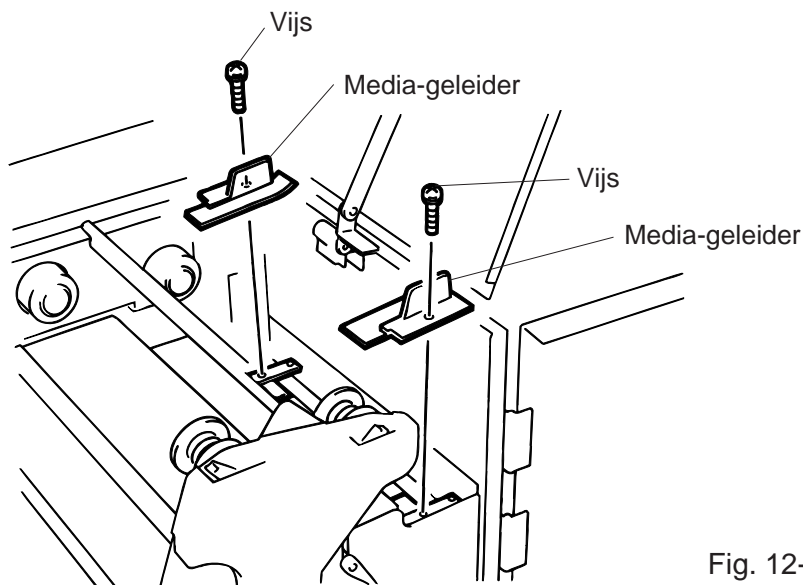


Fig. 12-4

2. Verwijder de opgestopte media.
3. Verwijder stof en lijm op de media-geleiders d.m.v. een zachte doek bevochtigd met alcohol.
4. Monteer de media-geleiders opnieuw m.b.v. de vijzen.

OPMERKING: *Let op! Verlies geen vijzen.*

12.3 BESCHERMINGSVLAKKEN EN DEKSELS

Reinig de buitenzijde van de drukker met een droge doek of een doek die lichtjes met reinigingsmiddel werd bevochtigd.

OPMERKING: *Reinig het deksel van de drukker met een antistatisch reinigingsmiddel voor het onderhoud van geautomatiseerd bureaumateriaal.*

WAARSCHUWING!

1. Vermijd rechtstreeks contact met water.
2. Vermijd rechtstreeks contact met een reinigingsmiddel of detergent.
3. Gebruik nooit geen thinner of andere vluchtige oplosmiddelen voor de reiniging van het plastic gedeelte.
4. Reinig nooit de buitenkant van de drukker met alcohol. Dit kan verkleuring, vervorming of aantasting van de structuur van het materiaal veroorzaken.

12.4 PAPIEROPSTOPPING

1. Zet de drukker af.
2. Verwijder het bovendeksel en het rechter vlak.
3. Draai de drukkopverlosser op de positie "OPEN" en maak het drukkopplaatje los.
4. Verwijder de witte vijs, schakel de konnektor van de media-geleider af en verwijder de media geleidersplaat.
5. Verwijder het lint en de media.
6. Verwijder de opgestopte media. **GEBRUIK GEEN** scherpe voorwerpen die de drukker kunnen beschadigen om de media los te trekken.
7. Reinig de drukkop en de schrijfrol en verwijder stof of ander vuil.
8. Plaats deel ② van de geleidersplaat op de media-sensor. Schroef de plaat met de witte vijs vast.

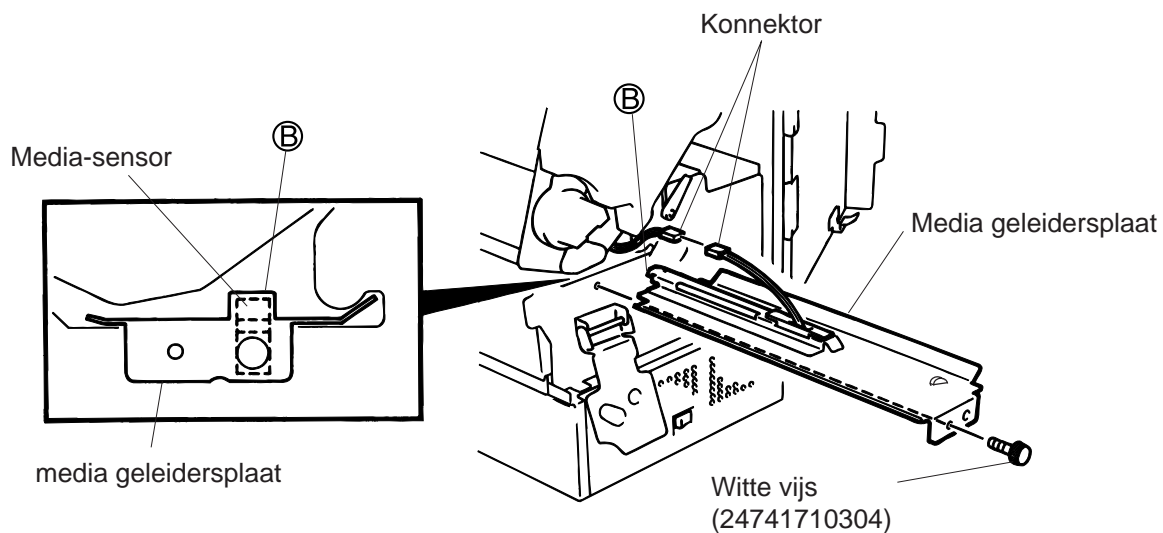


Fig. 12-5

9. Bij gebruik van de snijmodule kan papieropstopping het gevolg zijn van slijtage van het mes of kleverige stof op het mes. Gebruik geen etiketten die buiten de standaard vallen met het mes. Indien papieropstopping te frekwent voorkomt, raadpleeg een TOSHIBA TEC verantwoordelijke.

■ Reiniging van de snijmodule

WAARSCHUWING!

1. Zet de drukker steeds af om de snijmodule te reinigen.
2. Let op het mes voor verwondingen.

1. Maak de twee vijzen los en verwijder het snijpaneel.
2. Verwijder de witte vijz en de media-geleider.
3. Verwijder het vastgelopen papier en vuiligheid.
4. Reinig het mes met een droge doek.

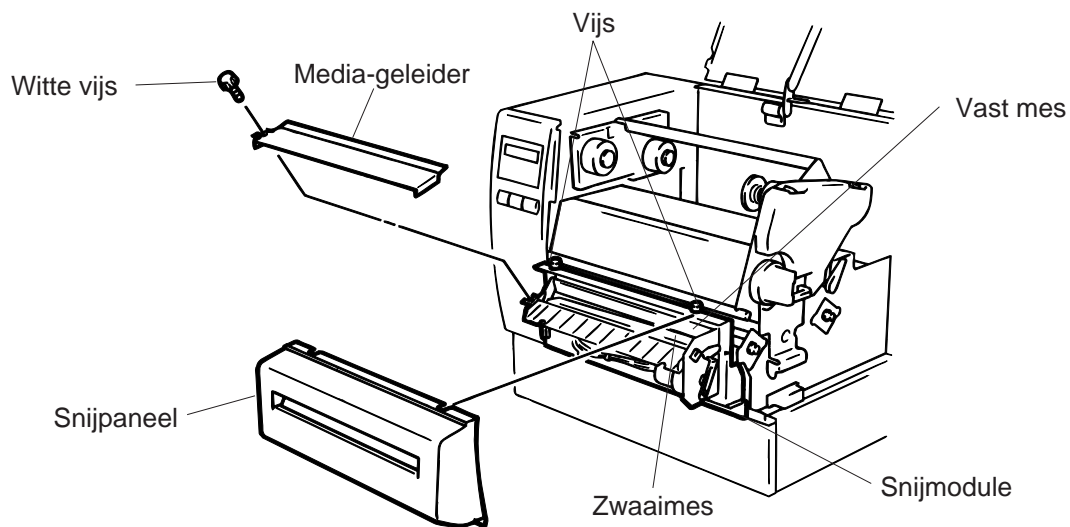


Fig. 12-7

5. De montage geschiedt in omgekeerde volgorde.

■ Afpelmechanisme

WAARSCHUWING!

Zet het toestel af om het afpelmechanisme te reinigen.

1. Verlos de hendel van de papierdrager om het opgestopte papier te verwijderen.
2. Reinig de afpelrol en de papierdragerhouder m.b.v. ethileen.

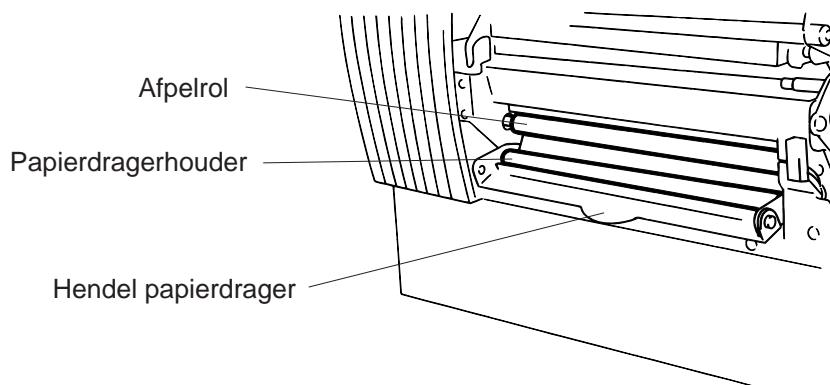
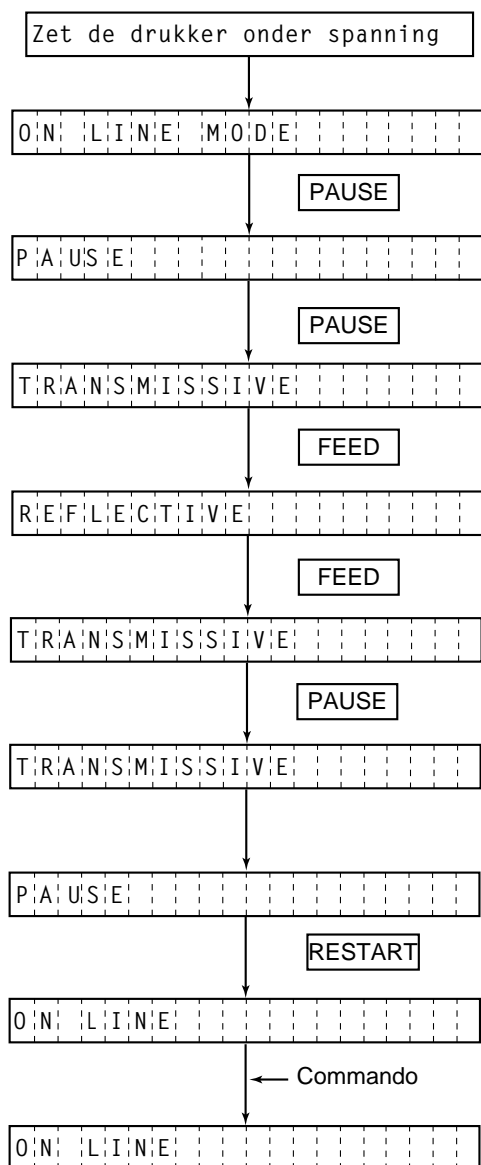


Fig. 12-8

12.5 INSTELLING VAN DE VOEDINGSHOLTE

De spatiesensor zorgt ervoor dat elk etiket automatisch op hetzelfde startpunt wordt bedrukt. Bij gebruik van voorgedrukte etiketten, kan het gebeuren dat, naargelang de inktsoort, de sensor er niet in slaagt de voedingsholte te detekteren. In dat geval moet de sensor met behulp van het bedieningsbord van de drukker ingesteld worden.

■ Instellingsprocedure



- (1) De drukker is gereed.
- (2) Laad een rol media volgens de normale procedure.
- (3) Druk de **[PAUSE]** toets in.
- (4) De drukker zet zich in pauze.
- (5) Druk de **[PAUSE]** toets in en hou de toets minstens 3 seconden ingedrukt terwijl de drukker zich in pauze bevindt.
- (6) Het type sensor verschijnt op het scherm.
- (7) Druk de **[FEED]** toets in.
- (8) De reflectiesensor (zwarte stip) is geselecteerd.
- (9) Druk de **[FEED]** toets opnieuw in.
- (10) De transmissiesensor (opening tussen twee etiketten) is geselecteerd.
- (11) Druk de **[PAUSE]** toets in en hou de toets ingedrukt.
- (12) De media wordt doorgevoerd tot zolang de **[PAUSE]** toets ingedrukt is.
- (13) Laat de **[PAUSE]** toets los nadat 1,5 etiket doorgevoerd werd. (De opening tussen twee etiketten werd aldus ingesteld).
- (14) Druk de **[RESTART]** toets in.
- (15) De drukker is gereed.
- (16) Stuur een uitvoercommando van de PC naar de drukker.

OPMERKINGEN:

1. Indien de **[PAUSE]** toets binnen 3 seconden losgelaten wordt, terwijl de drukker zich in pauze bevindt, wordt geen papier doorgevoerd.
2. Om de opening tussen twee etiketten correct in te stellen, moeten minsten 1.5 tot 2 etiketten doorgevoerd worden.
3. Terwijl de drukknop geheven is, werkt de **[PAUSE]** toets niet.
4. Fouten met betrekking tot papiereinde and snijmes worden niet waargenomen tijdens de doorvoer van papier.
5. Selectie van de transmissiesensor (indien voorgedrukte etiketten) d.m.v. het aanvoercommando en het uitvoercommando stelt de drukker in staat de juiste startpositie van het etiket te achterhalen ook indien voorgedrukte etiketten gebruikt worden.
6. Indien de startpositie onjuist blijkt te zijn niettegenstaande de instelling van de openingsensor, moet deze sensor via de systeemmode op punt gesteld worden. Voer nadien opnieuw een instelling van de openingsensor uit. Vergewis u ervan dat de transmissiesensor (voorgedrukte etiketten) geselecteerd werd (zowel d.m.v. aanvoer- als uitvoercommando).

13. MOGELIJKE PROBLEMEN

WAARSCHUWING!

Mocht er zich een probleem voordoen dat met onderstaande tabel niet opgelost kan worden, probeer niet de drukker zelf te herstellen. Zet de drukker af, haal de stekker uit het stopcontact en vraag hulp aan een TOSHIBA TEC verantwoordelijke.

Foutmelding	Probleem	Oplossing
PAPIER VAST ****	<ol style="list-style-type: none"> Het papier werd verkeerd ingebracht. Her papier is vastgelopen en wordt niet meer doorgevoerd. Het papier dat opgeladen werd is niet geschikt voor deze sensor. De zwarte stip wordt niet gedetekteerd door de sensor. De afmetingen van het papier stemmen niet overeen met de ingestelde afmetingen. De spatie sensor ziet geen verschil tussen een spatie en een etiket. 	<ol style="list-style-type: none"> Breng het papier korrek in. → Druk RESTART toets in Verwijder het vastgelopen papier en herlaad het onbeschadigde papier. → Druk RESTART toets in Zet de drukker af en aan. Selekteer de juiste sensor. → Voer het papier door. Stel de sensor in op de juiste plaats. → Druk RESTART toets in. Zet de drukker af en aan. Breng de juiste afmetingen in. → Voer het papier door. Stel de spatie in. Procedure zie pagina 12-6. Zet de drukker af en contacteer nw TOSHIBA TEC verantwoordelijke.
PRINTKOP OPEN ****	Het voeden of drukken van media werd aangevraagd terwijl de drukkop losstaat of de hendel van de rolklem naar rechts werd gedraaid.	Plaats de drukkop naar beneden. → Druk RESTART toets in.
PAPIER OP ****	Het papier is opgebruikt.	Laad nieuw papier. → Druk RESTART toets in.
LINT OP ****	Het lint is opgebruikt.	Laad een nieuw lint. → Druk RESTART toets in.

Foutmelding	Probleem	Oplossing
TEMP. FOUT	De drukkop is te heet.	Zet de drukker af en laat de drukkop afkoelen
PRINTKOP DEFECT	Dit boodschap verschijnt als de kommando van de controle van de drukkop doorgestuurd is ([ESC]HD001 [LF] [NUL]) en als er een element van de drukkop gebroken is.	1. Kerbegin het drukken door de toets RESTART in te duwen. 2. Vervang de drukkop. → Contacteer een TOSHIBA TEC verantwoordelijke
LINT POUT ****	Er is een probleem met de lintsensor.	Zet de drukker af en contacteer een TOSHIBA TEC verantwoordelijke.
SNIJMES FOUT ****	Het papier is vastgelopen in de snijmodule	Verwijder het papier dat vastgelopen is en laad het onbeschadigde gedeelte op de manier.
FLASH MEM FOUT	Er is een fout gebeurd bij het inbrengen van de gegevens van flash of ATA geheugen.	1. Zet de drukker af. Breng de flash geheugen kaart opnieuw in haar slot en herbegin. 2. Vervang de flash geheugen kaart en herbegin. 3. Zet de drukker af en contacteer een erkende dienstverlener.
FORMAAT FOUT	Het flash of ATA geheugen werd niet korrekt geformateerd.	1. Zet de drukker af en probeer nogmaals. 2. Vervang het flash geheugen. 3. Zet de drukker af en contacteer een erkende dienstverlener.
GEHEUGEN VOL	Het flash of ATA geheugen is vol.	Vercang de kaart door een nieuwe. Zend de gegevens die nog niet doorgestuurd werden opnieuw. (Voor flashkaart gebruik uitsluitend kaarten van 1MB en 4MB. B-682: Enkel 4 MB)
KOMMUNIKATIE FOUT	Er is een communicatiefout met de seriële interface.	Zet de drukker af en aan of druk de toets RESTART in. Controleer de gegevens. → Indien nodig contacteer uw TOSHIBA TEC verantwoordelijke.

Foutmelding	Probleem	Oplossing
ex) PC001:0A00, Kommandofout 0300, 2, 2	Indien een fout voorkomt in de programmatie van het communicatie kommando, zullen 20 bytes door het kommando code verschijnen ([LF], [NUL] verschijnen niet)	Verbeter het kommando en stuur het opnieuw door.
Andere foutmeldingen	Hardware en/of software problemen	Zet de drukker af en aan. Indien de fout nog niet verdwijnt, zet de drukker af en contacteer nw TOSHIBA TEC verantwoordelijke.
<p>OPMERKING: Indien een fout niet verdwenen is na het indrukken van de toets RESTART, moet de drukker aan en af gezet worden. Wanneer de drukker opnieuw aangezet wordt, zijn de gegevens verdwenen. *** betekent dat de teller voor het papier dat niet gedrukt werd opstaat.</p>		

Probleem	Oplossing
Geen afdruk	Ga na of het papier of het link korrekt ingebtacht werd. Kontroleer de positie van de drukkop. Kontroleer de bakabeling tussen de drukker en de host.
Punten ontbreken in afdruk	De drukkop is vuil → Reinig de drukkop. Indien nodig, contacteer nw TOSHIBA TEC verantwoordelijke.
Onduidelijke afdruk	1. De drukkop is vuil → Reig de drukkop. 2. Slecht lint → Vervang het lint 3. Verkeerd papier → Vervang het papier
De drukker is niet aan	1. Duw de stekker goed in de AC-uitgang. 2. Controleer de zekering. 3. Ga na of er wel een elektrische voeding is. (Probeer met een ander toestel.) Indien noding, Kontakteer uw TOSHIBA TEC verantwoordelijke.
Geen Snijbeweging	1. Ga na of de drukker aan is. 2. Het papier is vastgelopen in de snijmoduls. → Verwijder het papier dat vastgelopen is. Kontakteer uw TOSHIBA TEC verantwoordelijke.
Oneffen snijlijn van het papier	1. Reinig de messen. 2. De messen zijn versleten. → Kontakteer uw TOSHIBA TEC verantwoordelijke.

Free Manuals Download Website

<http://myh66.com>

<http://usermanuals.us>

<http://www.somanuals.com>

<http://www.4manuals.cc>

<http://www.manual-lib.com>

<http://www.404manual.com>

<http://www.luxmanual.com>

<http://aubethermostatmanual.com>

Golf course search by state

<http://golfingnear.com>

Email search by domain

<http://emailbydomain.com>

Auto manuals search

<http://auto.somanuals.com>

TV manuals search

<http://tv.somanuals.com>