

Wall mounting WAL7C for LCD color TV

Instruction for Installation

Thank you for purchasing this Toshiba Wall mounting.
For correct installation, please read this manual carefully.
This manual should be saved and kept on hand as a convenient reference.
This Wall mounting is designed exclusively for a Toshiba LCD color TV.

Special technology and knowledge are required for the wall fixing. Please ask qualified applicators for installation.

Notice for dealers and installation applicators



For safety of the user, please make sure the installation area has strength enough to bear the weight of LCD color TV and Wall mounting, and install with care.

■ **Please read the warnings and notice on the back carefully for correct use.**

Installation Notice

To prevent human hazards or property damage and ensure safe and correct use, this manual has recorded some important content such as the installation method. Please read it with full understanding of the following diagram & marks and observe the recorded items.

[Marks]



Mark	Meaning of the mark
 Warning	Indicates "It could result in your death or serious injury*1 if you don't follow instructions"
 Caution	Indicates "It could result in your injury*2 or property damage*3 if you don't follow instructions"

*1: Serious injury herein refers to conditions such as blindness, wound, burn (whatever high or low temperature), electric shock, fracture, poisoning etc. which may leave a sequela and require hospitalization or long medical treatment.

*2: Injury herein refers to conditions such as wound, burn or electric shock etc. which does not require hospitalization or long medical treatment.

*3: Property damage herein refers to damage of house, household, livestock or pet involved.

[Diagrams]

Diagram	Meaning of the diagram
 Prohibition	"⊘" indicates a prohibited action (Do not do). The action prohibited is described within or near the symbol by diagram or word.
 Direction	"●" indicates a required action (Do). The action required is described within or near the symbol by diagram or word.

■ Exemptions

- Toshiba is not liable for any damage caused by natural disaster (such as fire, earthquake), uses by third person, accidents, owner's intentional misuse, or uses in other improper conditions.
- Toshiba is not liable for incidental damages (such as profit loss or interruption in business, TV watching fee loss etc.) caused by use or unable use of the product.
- Toshiba is not liable for any damage caused by neglect of the instruction described in the instruction manual.
- Toshiba is not liable for any injury/damage caused by improper installation of this product.
- If the product is installed to the wall and then disassembled, the screw hole and fixing bolts will remain on the wall.
- Over an extended period of use of your LCD color TV, dirt or discoloration may occur to the supporting wall.

Please observe the following instructions

Warning

- Please ask qualified applicators to install the equipment to the wall. The inadequate application may cause the fall of a LCD color TV, resulting in injury.

Direction

- Reinforce the installation area to make sure it is capable to bear the weight including the LCD color TV and resistant to impact of earthquake or shock. The inadequate application may cause the fall of the LCD color TV resulting injury. So, please reserve the following instructions.
 - A socket should be used for the power supply of a LCD color TV. Please use a socket out of which the plug can be pulled easily.

Direction

■ <Installation on wood walls>

Make sure the total weight is borne by the beam. The beam should be reinforced in case of inadequate strength. Please do not install the product on the plasterboard.

■ <Installation on concrete walls>

Please use the market available anchor bolt which can bear the weight of the LCD color TV.



Direction

- Embed the metal hook fixed on the wall into the metal hole of the LCD color TV completely, slide and make sure it will not fall. Otherwise the TV may fall resulting in injury.



Prohibition

- The wall mounting is designed exclusively for a Toshiba LCD color TV Do not use it elsewhere. Otherwise it may fall causing injury.

Caution



Prohibition

- Do not jam the LCD color TV blowhole on the top of the screen. If the blowhole is jammed, heat will gather inside the TV, causing a fire.



Prohibition

- Do not install at places near the vent of air conditioner or frequently vibrate, or places directly blown by moisture, dust, smoke or steam (stove, electric cooker, humidifier etc.). Otherwise may cause fire or electric shock.

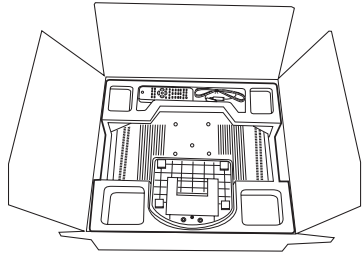


Direction

- The angle of the screen of an installed LCD color TV cannot be changed. The forced turn may loosen fixing bolt leading to the fall of the LCD color TV.

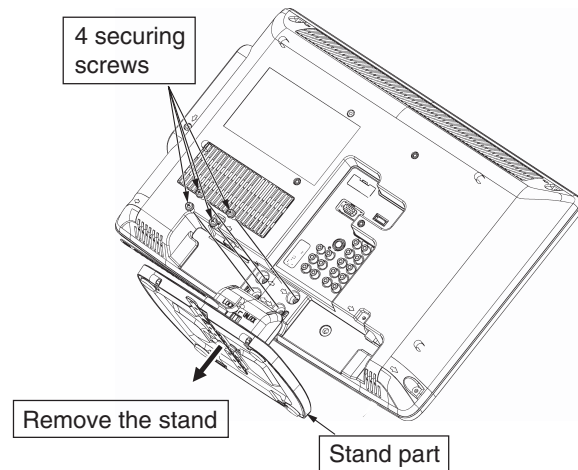
Assemble (TV set body and stand fix type)

(1) Please take out the LCD color TV from the LCD TV case.



(2) Remove the stand part from the LCD TV.

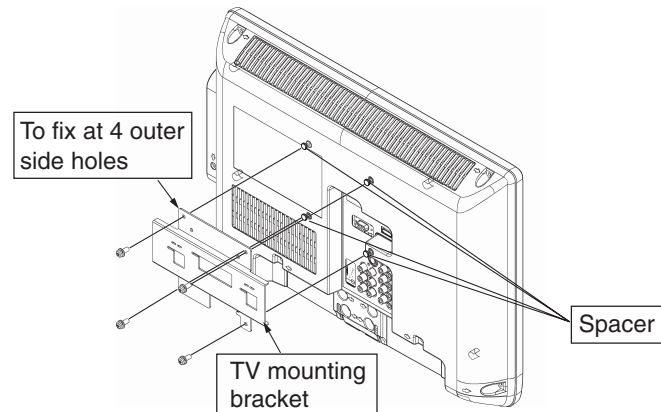
- ① Rotate the TV stand to its position generally used. To avoid scratching the LCD screen, please place a soft cloth on a table etc, and then put the LCD TV on the cloth with its screen facing down.
- ② Remove the 4 screws used to fix the stand.
- ③ Remove the stand from the TV.



* Please keep to the stand and fix screws.

(3) Attach the bracket of TV side to the LCD color TV.

- ① Tear off adhesive tapes of the supplied (four) paddings, align its hole with fixing bolts, and affix it to the screw place of TV side.
- ② Align the screw hole of bracket of TV side with which of the TV, attach the bracket firmly to the TV with four supplied screws (M4 × 14mm).



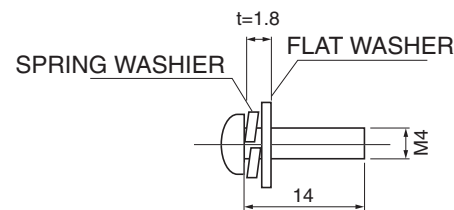
Caution

The supplied screws and paddings should be used.
Other screws and paddings may cause function change, electric shock (in case of long screws), or lead to insufficient strength (in case of short screws) etc.

Parts list

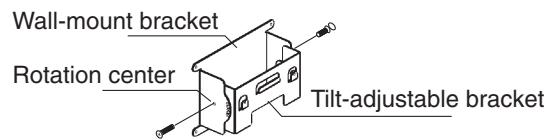
Product name	Quantity
TV side bracket	1
Wall-mount bracket	1
Tilt-adjustable bracket	1
Tilt-adjustable bracket securing screw (M5 × 14mm)	4
Screw (M4 × 14mm)	4
Spacer (with tape attached)	4

Nominal method of screws is as below.

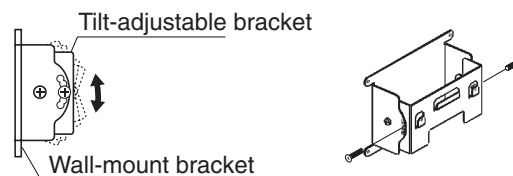


(4) Assemble the tilt-adjustable bracket, adjust the angle.

- ① Assemble the wall-mount bracket and the tilt-adjustable bracket with 2 tilt-adjustable bracket securing screws threading through the rotation center hole. (Slightly tighten the 2 screws.)



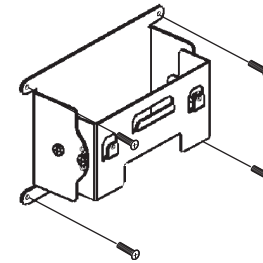
- ② Move the tilt-adjustable bracket to align it with the closet hole according to your preference angle, then fix it temporarily with 2 securing screws.



- ③ After installing the TV, confirm the preference angle with the customers and make adjustment according to the points described in (2) above. After making adjustment, tighten firmly the 4 securing screws mentioned in (1) and (2) above to fix the tilt-adjustable bracket fully.

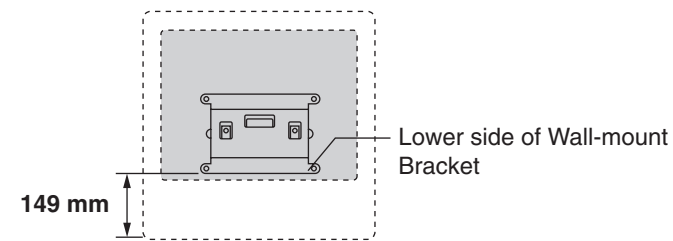
(5) Attach the Wall-mount Bracket.

Attach the wall-mount bracket to the wall with 4 commercial available screws or expansion anchor bolts, referring to the bottom right table. (4 positions shown as below)
 Be sure to fix the screws into the strong and reliable wood or post inside the wall firmly. (Attaching on the boards such as thin complex board/plasterboard will be very dangerous, so please be sure to avoid such places.)

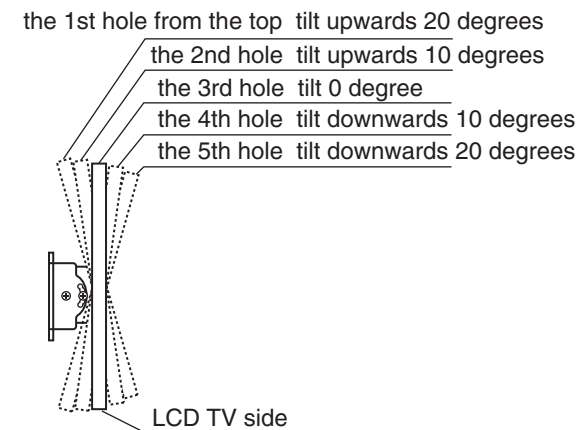


Determine the Position before Attaching the Wall-mount Bracket

The relationship of position for the LCD TV and the Wall-mount bracket is shown as below. Please ask the customers to decide the position of the TV in advance, and then attach the bracket.

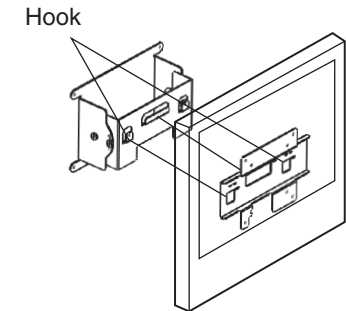


Angle adjustment of the LCD TV is shown as below

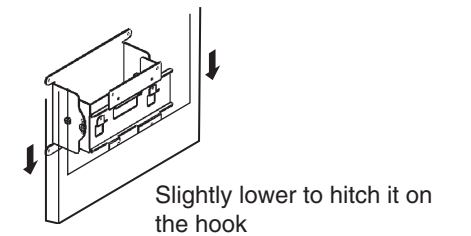


(6) Attach the LCD TV to the tilt-adjustable bracket installed on the wall.

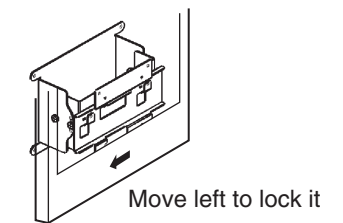
- ① Align the bracket holes on the rear of the LCD TV with the hooks of the tilt-adjustable bracket, and then hook the TV. (This illustration is drawn as you can see through the TV.)



- ② By slightly lowering the LCD TV, you can hitch it on the hook.



- ③ Move left the LCD TV to lock it. Make sure that the TV will not fall off.



Wall material/Screw, Expansion Anchor Bolt Corresponding Table

Wall material	Expansion anchor bolt/screw used
Plasterboard/Complex board (less than 10mm)	fix into the post inside the wall the screw firmly fixable into the post inside the wall
Complex board (above 10mm)	tapping screw (ø 4 × 18)
Wood post	tapping screw (ø 4 × 18)
Concrete	expansion anchor bolt (T-660)

Free Manuals Download Website

<http://myh66.com>

<http://usermanuals.us>

<http://www.somanuals.com>

<http://www.4manuals.cc>

<http://www.manual-lib.com>

<http://www.404manual.com>

<http://www.luxmanual.com>

<http://aubethermostatmanual.com>

Golf course search by state

<http://golfingnear.com>

Email search by domain

<http://emailbydomain.com>

Auto manuals search

<http://auto.somanuals.com>

TV manuals search

<http://tv.somanuals.com>