

TOSHIBA

INSTRUCTION MANUAL

CAMERA CONTROL UNIT

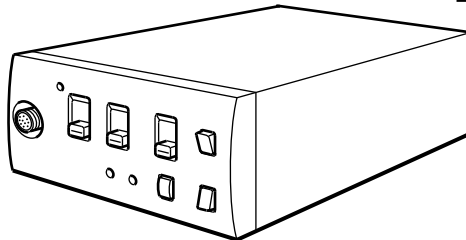
IK-CU44A

For Customer Use

Enter below the Serial No. which is located on the bottom of the cabinet. Retain this information for future reference.

Model No.: IK-CU44A

Serial No.: _____



INFORMATION

This equipment has been tested and found to comply with the limits for a Class A digital device, pursuant to Part 15 of the FCC Rules. These limits are designed to provide reasonable protection against harmful interference when the equipment is operated in a commercial environment. This equipment generates, uses, and can radiate radio frequency energy and, if not installed and used in accordance with the instruction manual, may cause harmful interference to radio communications. Operation of this equipment in a residential area is likely to cause harmful interference in which case the user will be required to correct the interference at his own expense.

USER-INSTALLER CAUTION: Your authority to operate this FCC verified equipment could be voided if you make changes or modifications not expressly approved by the party responsible for compliance to Part 15 of the FCC rules.



This Class A digital apparatus meets all requirements of the Canadian Interference Causing Equipment Regulations.

Cet appareil numérique de la classe A respecte toutes les exigences du Règlement sur le matériel brouilleur du Canada.

SAFETY PRECAUTIONS

Read the following safety precautions carefully before using this product. These instructions contain valuable information on safe and proper use that will prevent harm and damage to the operator and other persons. Make sure that you fully understand the following details (indications, graphic symbols) before proceeding to the remaining sections in this manual.

Indication definitions



Indication	Meaning
 Warning	This indicates the existence of a hazard that death or catastrophic bodily injury* ¹ may result from improper use.
 Caution	This indicates the existence of a hazard that bodily injury* ² or property damage* ³ may result from improper use.

*1: Catastrophic bodily injury means loss of eyesight, burns (high and low temperature), shock, fracture, poisoning, etc. which leaves a sequela and require hospitalization or prolonged treatment.

*2: Bodily injury means injuries, burns and electric shock which does not require hospitalization or prolonged treatment.

*3: Property damage means extended harm to home, household effects, domesticated animals, and pets.

Graphic symbol definitions

Symbol	Meaning
	"⊘" indicates a prohibited action that must not be carried out. The actual prohibited action is indicated in the symbol or nearby graphically or described in text.
	"●" indicates a mandatory action that must be carried out. The actual instruction is indicated in the symbol or nearby graphically or described in text.

Warning



- **Stop operation immediately when any abnormality or defect occurs.**
Use during an abnormal condition; such as emitting smoke, burning odors, damage from dropping invasion of foreign objects, etc. may cause fire and/or electric shock. Be always sure to disconnect the power plug from the electrical outlet (socket) at once and contact your dealer.



- **Avoid installing in a shower room or a bathroom.**
This may cause fire and/or electric shock.



- **Do not operate in places with possibility of becoming wet.**
This may cause fire and/or electric shock.



- **Do not repair, disassemble and/or modify by yourself.**
This may cause fire and/or electric shock. Be always sure to contact your dealer for internal repair, check and cleaning of the product.



- **Use the specified power supply.**
Otherwise, a fire or an electric shock may occur.



- **Don't place things or materials on the unit.**
Ingress of foreign materials such as metallic things and liquid into the unit may cause a fire or an electric shock.



- **Do not put the product in an unstable, slanting and/or vibrated place.**
Drop and/or fall of the product may cause injury.



- **Do not touch the power cord or other connection cables during a thunderstorm.**
This might cause electric shock.

Caution



- **Note the following instructions when installing.**
 - Do not put an inflammable material on the product.
 - Do not put the product on an Inflammable material such as carpet or blanket.
 - Do not block a vent hole.
 - Do not put the product in a narrow space, since the heat generated from the product may be difficult to emanate.If you do not follow the above, the heat generated by the product may cause fire.



- **Do not put the product in direct sunshine and/or high temperature.**
The temperature inside the product may cause fire.



- **Avoid setting in humid, smoky, vaporized or dusty places. A fire or an electric shock may occur in such places.**
This may cause fire and/or electric shock.



- **Do not point the lens directly at the sun and/or intensive light such as direct sunlight, etc.**
Focusing of the light may cause injury of eye and/or fire.



- **Do not put the product in your mouth or swallow any parts.**
This may cause suffocation and/or injury.



- **Ask your dealer to perform a periodical check and internal cleaning (approx. once every five years).**
Dust inside the product may cause fire and/or trouble. For check and cleaning cost, please consult your dealer.

Disclaimer

We disclaim any responsibility and shall be held harmless for any damages or losses incurred by the user in any of the following cases:

1. Fire, earthquake or any other act of God; acts by third parties; misuse by the user, whether intentional or accidental; use under extreme operating conditions.
2. Malfunction or non-function resulting in indirect, additional or consequential damages, including but not limited to loss of expected income and suspension of business activities.
3. Incorrect use not in compliance with instructions in this instruction manual.
4. Malfunctions resulting from misconnection to other equipment.
5. Repairs or modifications made by the user or caused to be made by the user and carried out by an unauthorized third party.
6. Notwithstanding the foregoing, Toshiba's liabilities shall not, in any circumstances, exceed the purchase price of the product.

Copyright and Right of Portrait

There may be a conflict with the Copyright Law and other laws when a customer uses, displays, distributes, or exhibits an image picked up by a television camera without permission from the copyright holder. Please also note that transfer of an image or file covered by copyright is restricted to use within the scope permitted by the Copyright Law.

TABLE OF CONTENTS

SAFETY PRECAUTIONS	2
1. COMPONENTS	5
2. SPECIFICATIONS	5
3. NAMES AND FUNCTIONS	6
4. CONNECTION	8
4.1 An Example of Standard Connection	8
4.2 Cautions on Connection	8
4.3 Connection on Back Panel	9
4.4 Connector Pin Assignments	9
5. WHEN USING THE CAMERA WITH THE CAMERA UNIT FIXED	10
6. OPERATION	11
6.1 AGC (Automatic Gain Control)	11
6.2 White Balance	11
(1) White balance adjustment in modes other than AUTO	12
(1.1) White balance adjustment in SET mode	12
(1.2) White balance adjustment in MANU mode	12
6.3 FUNC LOCK Switch	12
7. MODE SETTING BY ON SCREEN DISPLAY	13
7.1 FILE (Scene File).....	14
7.2 SHUTTER (Electronic Shutter, Backlight Correction)	14
(1) Detail setting in AUTO mode (auto electronic shutter)	15
(2) SS (synchronized scan)	15
7.3 Pedestal	16
7.4 SYNC (Setting for External Synchronization)	16
7.5 AREA (Measurement Area).....	17
(1) Setting AREA the same for AGC, auto electronic shutter and white balance	17
(2) Setting AREA separately for AGC, auto electronic shutter and white balance	18
7.6 WB-OFFSET (White Balance Offset)	19
7.7 INIT. (Scene File Initialization)	20
7.8 END (Ending ON SCREEN DISPLAY)	20
8. EXTERNAL SYNC	21
9. CAUTIONS ON USE AND INSTALLATION	22
10. BEFORE MAKING A SERVICE CALL	23
11. OPTIONAL PARTS.....	23
12. EXTERIOR DIMENSIONS	24
Servicing Instructions for Service Personnel	
13. Connection to camera Head (IK-M43/IK-C43H)	25

1. COMPONENTS

- (1) Camera control unit 1
- (2) Accessories
 - (a) Instruction manual 1

2. SPECIFICATIONS

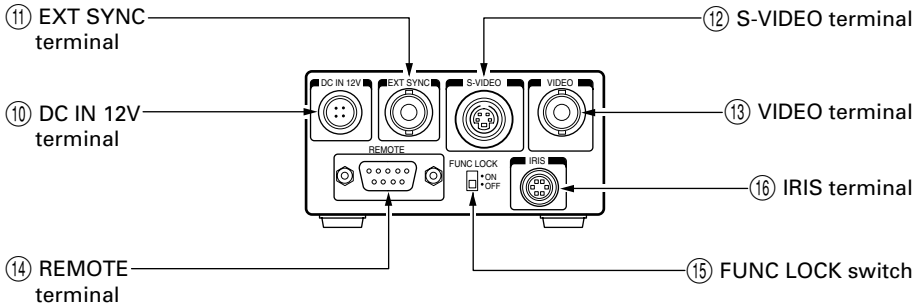
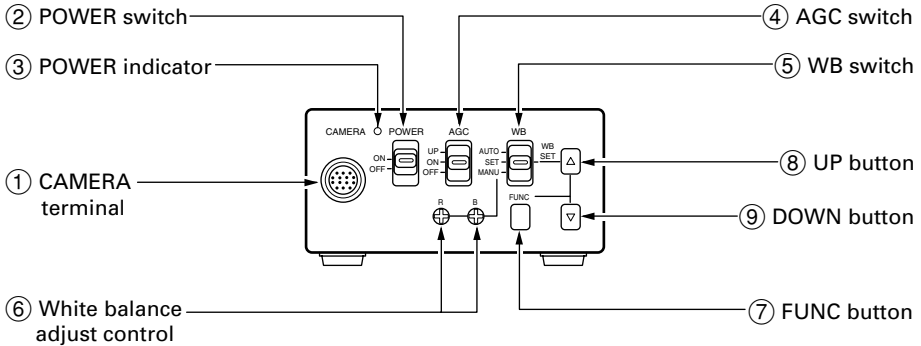
Specification with camera head (IK-M44H) connected.

Power supply	DC12V \pm 0.5V	
Power consumption	310 mA	
Image sensor	1/2 inch IT-CCD	
Effective pixels	Horizontal: 768 pixels, Vertical: 494 pixels	
Effective image area	Horizontal: 6.54 mm, Vertical: 4.89 mm (1/2 inch type)	
Scanning system	2:1 interlace	
Scan frequency	Horizontal: 15.734 kHz, Vertical: 59.94 Hz	
Sync system	Internal/External (automatic switching)	
Resolution	Horizontal: More than 470 lines, Vertical: More than 350 lines	
Standard intensity of illumination for objects	30 lx (F1.6, 3000K)	
Minimum intensity of illumination for objects	2.5 lx (F1.6, 3000K)	
S/N ratio	46 dB or more	
Video output	VBS 1.0 V(p-p), (BNC terminal) NTSC system Y/C separation output (S terminal)	
Output impedance	75 Ω unbalanced	
External sync	Input	VBS 1.0 V(p-p) (BNC terminal) NTSC 75 Ω unbalanced
	Adjustment function	Subcarrier phase, H phase
White balance	Automatic/set/manual	
Gain switch (AGC)	SENS UP (+6 dB)/ON/OFF	
Electronic shutter	Automatic, 1/60s, 1/100s, 1/250s, 1/500s, 1/1000s, 1/2000s, 1/4000s, 1/10000s, synchronized scan	
Operating temperature/humidity	14°F to 104°F (-10°C to +40°C)/Less than 90%	
Anti-vibration/shock characteristics	70 m/s ² (10 to 200 Hz)/700 m/s ²	
Weight	Control unit: 0.86 lbs (390g)	
Dimensions (Without protrusion)	Control unit: W: 3.35", H: 1.57", D: 6.14" (W: 85 mm, H: 40 mm, D: 156 mm)	

Design and specifications are subject to change without notice.

3. NAMES AND FUNCTIONS

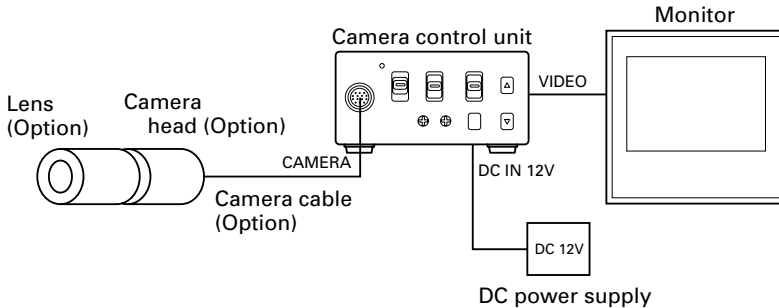
Camera Control Unit



① CAMERA terminal	Connects to the camera head.
② POWER switch	Turns on and off the camera control unit.
③ POWER indicator	Lights up when the power is turned on.
④ AGC switch	Selects the gain mode. (AGC OFF/AGC ON/SENS UP)
⑤ WB switch	Selects the white balance mode. (MANU/SET/AUTO)
⑥ White balance adjust control	Adjusts the R gain and B gain with the white balance mode set to MANU by the WB switch ⑤.
⑦ FUNC button	Determines the setting indication contents when the setting menu is displayed on the screen.
⑧ UP button	Selects the setting item when the setting menu is displayed on the screen. (When the WB switch ⑤ is set to SET, pressing the UP button for more than 2 sec. activates the white balance SET operation.)
⑨ DOWN button	Selects the setting item when the setting menu is displayed on the screen.
⑩ DC IN 12V terminal	Accepts a DC power supply (12V).
⑪ EXT SYNC terminal	Accepts an external sync signal to synchronize the camera output signal with external signal.
⑫ S-VIDEO terminal	Connects terminal to S input terminal of a monitor or a VCR, etc. Can be used at the same time as video terminal.
⑬ VIDEO terminal	Connects terminal to video input terminal of a monitor or a VCR, etc. Can be used at the same time with the S-VIDEO terminal.
⑭ REMOTE terminal	Controls the functions via RS232C.
⑮ FUNC LOCK switch	Locks the switches and control on the front panel. When the FUNC LOCK switch is set to ON, all settings except for the POWER switch ② and the file item of the screen setting menu are locked out.
⑯ IRIS terminal	Connect when using an automatic iris lens.

4. CONNECTION

4.1 An Example of Standard Connection



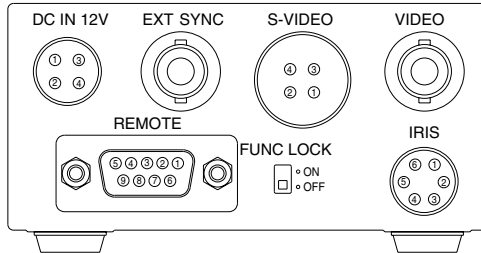
4.2 Cautions on Connection

- When connecting or disconnecting the camera cables (for the camera head and camera control unit), always turn off the power switch of the camera control unit first. If not, the camera head may be damaged.
 - When connecting the camera, always turn off the power of the camera control unit and any other equipment connected.
- ① Remove the camera head protection cover and mount a lens (option).
 - ② Connect the camera head and the camera control unit with the camera cable (option).
 - ③ Connect the VIDEO (or S-VIDEO) terminal of the camera control unit to a video input terminal of a monitor, etc.
 - ④ Connect a DC power supply (12V) to the DC IN 12V terminal of the camera control unit.
- For DC power supply connecting to DC IN 12V terminal, use UL listed and/or CSA approved ungrounding type AC adaptor with the specifications described below.

Power supply voltage:	DC12V \pm 0.5V
Current rating:	More than 800 mA
Ripple voltage:	Less than 50 mV(p-p)
Connector:	HR10A-7P-4S (Hirose)
	Pins 1, 2: \oplus , Pins 3, 4: \ominus

4.3 Connection on Back Panel

The figure below shows the back panel connection terminals of the camera control unit.



4.4 Connector Pin Assignments

DC IN 12V

1	+12V
2	+12V
3	GND
4	GND

S-VIDEO

1	GND
2	GND
3	Y
4	C

REMOTE

1	NC
2	TXD
3	RXD
4	DSR
5	GND
6	DTR
7	CTS
8	RTS
9	NC

IRIS

1	NC
2	VIDEO
3	GND
4	+12V
5	GND
6	NC

* When using the REMOTE terminal, please consult with your dealer.

- **Using the auto-iris lens**

The following table shows the IRIS terminal when using the auto-iris (EE) lens.

Table 1

IRIS Connector Terminal No.	Signal	Rated
1	—	
2	Video signal	0.8 ± 0.1Vp-p
3	GND	
4	Power (DC)	+ 12V (less than 50mA)
5	(GND)	
6	—	

The IRIS connector used for the IRIS terminal: HR10A-7P-6P of HIROSE ELECTRIC CO., LTD.

- EE lens

The IRIS extension cable (optional) is usable for the EE lens. Use the connector HR10A-7P-4P of HIROSE when the IRIS extension cable is selected. For connections, follow the instruction below.

When the IRIS extension cable is used under the right condition, the cable automatically converts to connection for the EE lens in Table 1. See the Chapter OPTIONS for the IRIS extension cable.

**EE lens connector
HR10A-7P-4P**

1. Power (+)
2. GND
3. Video signal
4. Unconnected or ground

Notes:

- **Current consumption must be 50 mA or less.**
- **Avoid an incorrect connection or short-circuit.**

5. WHEN USING THE CAMERA WITH THE CAMERA UNIT FIXED

The camera control unit can be directly mounted by using M3 screws if the four rubber feet are removed on bottom of the control unit. When mounting directly as described above, do not use longer screws. If the screws enter by more than 5 mm from the control unit mounting surface, they will cause a short-circuit inside the control unit. For details of screw hole locations, refer to the exterior dimensions of the camera control unit.

6. OPERATION

Turn on the POWER switch on the camera control unit and adjust the lens iris and focus while observing a picture on the monitor screen. To obtain the best picture quality, perform various settings.

6.1 AGC (Automatic Gain Control)

AGC functions "OFF", "ON" or "UP" can be selected on the screen menu. Generally, the camera is used with the AGC set to OFF, but when increased camera sensitivity is required, it is set to ON. When more sensitivity is required, "UP" is selected. With the AGC ON, the camera sensitivity approximately doubles, and with the UP selected the sensitivity approximately doubles again, but noise will also increase. We recommend you increase intensity of the lighting to obtain good pictures.

The AGC measurement area is the same as that used for "AREA". (Refer to item 7.5)

6.2 White Balance

A white balance adjustment is necessary to obtain pictures with correct color tone. This camera allows you to select the white balance adjustment of "AUTO", "SET", and "MANU". With the AUTO mode selected, the camera adjusts the white balance automatically. Most shooting will be made in the AUTO mode. The color temperature applicable to this camera is approximately 2500 to 7000K.

	AUTO	SET	MANU
Outline	Camera automatically measures object color temperature and adjusts the white balance.	Adjust white balance by pressing "UP" button on the camera control unit while shooting a white object.	Adjust R (red) and B (blue) levels on the control unit while shooting a white object.
Features	Automatically traces variations of color temperature and adjusts the white balance.	Measurement accuracy is higher than AUTO mode. This mode is effective when shooting under less variations of color temperature.	Measurement accuracy is higher than SET mode. This mode is effective for users desiring specific color temperature, also effective when shooting under the least variations of color temperature.
Notes	Under poor illumination, white balance may not be correct.		Adjustment will be made by viewing monitor or vector scope.

(1) White balance adjustment in modes other than AUTO

(1.1) White balance adjustment in SET mode

- ① Set the WB switch to "SET" position.
- ② Shoot a white object to fill entire screen and press the UP button (▲) for about 2 sec.
- ③ When the white balance adjustment completes, the letters "WB SET" blinking at the upper right of the screen changes to "WB OK" and then turns off. If the "WB NG" is displayed, it shows the white balance is out of the adjustment range. This is caused by the object not being white enough, or the video level is set too high or too low even if the white object is shot. Shoot the white object or set the video level correctly.

Note:

- **With the screen menu displayed, the UP button is used for moving the cursor or modifying the data. To activate the SET mode by pressing the UP button, turn off the screen menu.**

(1.2) White balance adjustment in MANU mode

- ① Set the WB switch to "MANU" position.
- ② Shoot the white object and adjust the white balance by adjusting the white balance adjust controls "R" and "B" with the screwdriver while observing the monitor or vector scope.

6.3 FUNC LOCK Switch

The FUNC LOCK switch protects settings even if a switch is accidentally pressed after setting. When the FUNC LOCK switch is ON, only the following functions are available.

POWER switch (ON/OFF)

FILE (A/B) in menu

Settings will not be changed even if the other switches are operated. In the menu screen, all except FILE and END are displayed in black letters (white when the FUNC LOCK switch is OFF) and "FUNCTION LOCK ACTIVE" blinks to indicate that the FUNC LOCK switch is ON.

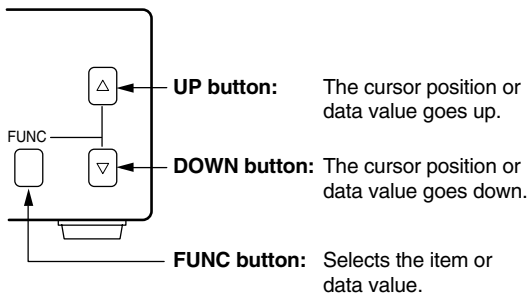
FILE	A
SHUTTER	AUTO
PEDESTAL	00
SYNC	INT
AREA	LINK:1
WB-OFFSET	00
INIT.	
END	
FUNCTION LOCK ACTIVE	
PUSH FUNC TO SELECT	

7. MODE SETTING BY ON SCREEN DISPLAY

Setting while monitoring the menu on the monitor screen is possible. The following seven items can be set.

- ① Scene file
- ② Electronic shutter (AUTO/MANUAL), backlight correction
- ③ Pedestal level
- ④ Phase matching in external synchronization (horizontal/subcarrier synchronization)
- ⑤ White balance, auto electronic shutter, AGC measurement area
- ⑥ White balance offset
- ⑦ Scene file factory setting

Press the FUNC button to display the menu. The menu appears as shown on the right. Current setting is displayed. Move the cursor up or down using the UP and DOWN buttons, and set an item by pressing the FUNC button. To quit the menu, move the cursor to END and press the FUNC button.



Main Menu

FILE	A
SHUTTER	AUTO
PEDESTAL	00
SYNC	INT
AREA	LINK: 1
WB-OFFSET	00
INIT.	
END	
PUSH FUNC TO SELECT	

Notes:

- **When setting is changed in the menu screen, be sure to move the cursor to "END" and press the FUNC button to turn off the menu. New setting is stored in the camera.**
- **Don't turn off the POWER switch before turning off the menu. New setting is not stored, and old data remains.**

7.1 FILE (Scene File)

There are two scene files A and B which can be selected according to the shooting state.

- ① Move the cursor to "FILE" in the main menu using the UP or DOWN button.
- ② Press the FUNC button to display the contents to set FILE, A or B. Move the cursor to A or B using the UP or DOWN button. Press the FUNC button to set the contents.

Note:

- The scene file is for the menu screen. The AGC switch and the WB switch are only valid in their set positions.
- The new settings are memorized when the POWER is turned off.

```

FILE          A
SHUTTER      AUTO
PEDESTAL     00
SYNC         INT
AREA         LINK:1
WB-OFFSET    00

INIT.
END

PUSH [FUNC] TO SELECT
    
```

```

FILE          A
SHUTTER      [B]
PEDESTAL
SYNC
AREA
WB-OFFSET

INIT.
END

PUSH [FUNC] TO SELECT
    
```

7.2 SHUTTER (Electronic Shutter, Backlight Correction)

The electronic shutter is available in AUTO (auto electronic shutter), 1/60 ~ 1/10000 and SS (synchronized scan).

AUTO: Controls electronic shutter automatically to output the set video level. Can be selected in backlight correction, peak measurement, average measurement and measurement area.

1/60~1/10000: Exposure time can be fixed to any one of 1/60, 1/100, 1/250, 1/500, 1/1000, 1/2000, 1/4000 and 1/10000.

SS: Sets the electronic shutter in horizontal scanning time intervals of 1H.

- ① Move the cursor to "SHUTTER" in the main menu using the UP or DOWN button.
- ② Press the FUNC button to display AUTO ~ EXIT to set SHUTTER. Move the cursor to a desired item of AUTO ~ SS using the UP or DOWN buttons. Press the FUNC button to frame a desired item in white.
- ③ Move the cursor to "EXIT" using the UP or DOWN button. Press the FUNC button. Return to the main menu.

```

FILE          A
[SHUTTER]    AUTO
PEDESTAL     00
SYNC         INT
AREA         LINK:1
WB-OFFSET    00

INIT.
END

PUSH [FUNC] TO SELECT
    
```

```

          [AUTO]
FILE          1/60
[SHUTTER]    1/100
PEDESTAL     1/250
SYNC         1/500
AREA         1/1000
WB-OFFSET    1/2000
              1/4000
INIT.        1/10000
END          SS 262/525H
              EXIT
PUSH [FUNC] TO SUB MENU
    
```

(1) Detail setting in AUTO mode (auto electronic shutter)

When the FUNC button is pressed after AUTO is selected, the submenu for SHUTTER:AUTO appears. Set details in this screen.

LEVEL: Adjust the auto electronic shutter video level. Larger values indicates brighter level, and vice versa. Data can be set in a range of -30 to +30.

BLC: Correction for backlight. This can be set when the measurement area is set to one of "1/2", "1/8" and "SLIT" for AREA in the main menu. Backlight is corrected at ON, but not at OFF. When the measurement area is "1", BLC is displayed in black letters and setting is impossible.

PEAK:AVE: Selects peak or average for measurement of auto electronic shutter video level. The peak to average ratio can be changed in a range of 00:10 to 10:00.

Note:

- **While BLC is ON, PEAK:AVE is displayed in black letters and setting is impossible.**

- ① Move the cursor to a desired item (LEVEL, BLC, PEAK:AVE) using the UP or DOWN button. Press the FUNC button. The cursor moves to the data of the selected item. Set the data by pressing the UP or DOWN button.
- ② After setting the data, press the FUNC button. The cursor moves to the item. To finish setting of submenu, move the cursor to "EXIT" and press the FUNC button to return to "SHUTTER" in the main menu.

(2) SS (synchronized scan)

- ① Move the cursor to "SS" using the UP or DOWN button. Press the FUNC button. (SS is set.)
- ② Press the FUNC button. The cursor moves to the data and blinks. The data varies in 1/525H to 262/525H when the UP or DOWN button is pressed. Set a desired data, and press the FUNC button.
- ③ Return to "SS" of SHUTTER.

	AUTO	
FILE	1/60	
SHUTTER	1/100	
PEDESTAL	1/250	
SYNC	1/500	
AREA	1/1000	
WB-OFFSET	1/2000	
	1/4000	
INIT.	1/10000	
END	SS 262/525H	
	EXIT	
PUSH FUNC	TO SUB MENU	

SHUTTER:	AUTO	SUB MENU
LEVEL	00	
BLC	OFF	
PEAK:AVE	00:10	
EXIT		
PUSH FUNC	TO SELECT	

SHUTTER:	AUTO	SUB MENU
LEVEL	00	
BLC		
PEAK:AVE		
EXIT		
PUSH FUNC	TO SELECT	

Example of display for LEVEL

	AUTO	
FILE	1/60	
SHUTTER	1/100	
PEDESTAL	1/250	
SYNC	1/500	
AREA	1/1000	
WB-OFFSET	1/2000	
	1/4000	
INIT.	1/10000	
END	SS 262/525H	
	EXIT	
PUSH FUNC	TO SELECT	

7.3 Pedestal

- ① Move the cursor to PEDESTAL using the UP or DOWN button.
- ② Press the FUNC button. The cursor moves to the data. Set the data using the UP or DOWN button. The data can be set in a range of -50 to +50. After setting the data, press the FUNC button to return to the main menu.

```
FILE          A
SHUTTER       AUTO
PEDESTAL     00
SYNC         INT
AREA         LINK:1
WB-OFFSET    00

INIT.
END

PUSH FUNC TO SELECT
```

```
FILE
SHUTTER
PEDESTAL     00
SYNC
AREA
WB-OFFSET

INIT.
END

PUSH FUNC TO SELECT
```

7.4 SYNC (Setting for External Synchronization)

This adjusts horizontal phase and subcarrier phase while externally synchronized. INT is displayed for internal synchronization and changed automatically to EXT when the external synchronizing signal is entered.

- ① Move the cursor to "SYNC" using the UP or DOWN button.
- ② Press the FUNC button to display the available items (H-PHS, SC-PHS, SC-FINE).

H-PHS: H (horizontal) phase matching 0 ~ 99

SC-PHS: SC (subcarrier) rough adjustment 0, 90, 180, 270

SC-FINE: SC (subcarrier) fine adjustment 0 ~ 99

```
FILE          A
SHUTTER       AUTO
PEDESTAL     00
SYNC        INT
AREA         LINK:1
WB-OFFSET    00

INIT.
END

PUSH FUNC TO SELECT
```

```
FILE          A
SHUTTER       AUTO
PEDESTAL     00
SYNC        EXT.VBS
AREA         LINK:1
WB-OFFSET    00

INIT.
END

PUSH FUNC TO SELECT
```


- ③ Move the cursor to a desired item (H-PHS, SC-PHS, SC-FINE) using the UP or DOWN button. Press the FUNC button and the data is displayed. Set the data using the UP or DOWN button and press the FUNC button to select the data. To return to the main menu, move the cursor to EXIT and press the FUNC button.

Note:

- **If the internal synchronization is set while the SYNC item (H-PHS, SC-PHS, SC-FINE) is being displayed, the display automatically turns to INT, disabling setting.**

```

FILE
SHUTTER
PEDESTAL
[SYNC]      [H-PHS] 50
AREA       SC-PHS 0
WB-OFFSET  SC-FINE 50
EXIT

INIT.
END

PUSH [FUNC] TO SELECT

```

7.5 AREA (Measurement Area)

AREA is a measurement AREA item for AGC, auto electronic shutter and white balance. The AREA setting for AGC and auto electronic shutter are the same, so each setting can not be made separately. However, the AREA setting for white balance can be made independently from the AREA setting for AGC and auto electronic shutter.

- ① Move the cursor to AREA using the UP or DOWN button.
- ② Press the FUNC button to display the available items (LINK, SEP).
- ③ Move the cursor to a desired item (LINK, SEP) using the UP or DOWN button.

```

FILE      A
SHUTTER   AUTO
PEDESTAL  00
SYNC      INT
[AREA]    LINK:1
WB-OFFSET 00

INIT.
END

PUSH [FUNC] TO SELECT

```

(1) Setting AREA the same for AGC, auto electronic shutter and white balance

- ① Move the cursor to LINK using the UP or DOWN button.

```

FILE
SHUTTER
PEDESTAL
SYNC
[AREA]    [LINK]:1
WB-OFFSET SEP
EXIT

INIT.
END

PUSH [FUNC] TO SELECT

```

- ② Press the FUNC button to display data 1 ~ SLIT for LINK. Move the cursor to a desired item of AREA data (1, 1/2, 1/8, SLIT) using the UP or DOWN button.
- ③ Press the FUNC button to set the data.

```

FILE
SHUTTER
PEDESTAL
SYNC
AREA LINK 1
WB-OFFSET SEP 1/2
EXIT 1/8
INIT. SLIT
END
PUSH FUNC TO SELECT

```

(2) Setting AREA for white balance separately from the AREA setting for AGC and auto electronic shutter

- ① Move the cursor to SEP using the UP or DOWN button, and press the FUNC button. SEP is selected and framed in white.
- ② Press the FUNC button to display the submenu.
- ③ Move the cursor to a desired item using UP or DOWN button.

WB: Measurement AREA for white balance
1, 1/2, 1/8, SLIT
Valid when the WB switch is AUTO and/or SET.

SHUTTER: Measurement AREA for auto electronic shutter and AGC
1, 1/2, 1/8, SLIT

- ④ Press the FUNC button to select a desired item. The setting data (1, 1/2, 1/8, SLIT) is displayed. Move the cursor to a desired item using UP or DOWN button, then press the FUNC button to select the data.
- ⑤ The submenu for AREA appears. Move the cursor to EXIT, and press the FUNC button to return to the main menu.

```

FILE
SHUTTER
PEDESTAL
SYNC
AREA LINK: 1
WB-OFFSET SEP
EXIT
INIT.
END
PUSH FUNC TO SELECT

```

```

AREA SEP SUB MENU
WB 1
SHUTTER 1
EXIT
PUSH FUNC TO SELECT

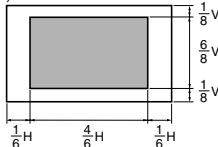
```

The size of AREA is approximately as shown below.

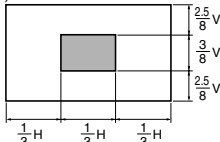
(1) 1 (Whole monitor screen)



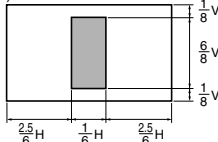
(2) 1/2



(3) 1/8



(4) SLIT



```

AREA SEP SUB MENU
WB 1
SHUTTER 1/2
EXIT 1/8
SLIT
PUSH FUNC TO SELECT

```

7.6 WB-OFFSET (White Balance Offset)

This offsets the white balance in the direction of orange or cyan when the WB switch is set to "SET".

- ① Move the cursor to WB-OFFSET using the UP or DOWN button.
- ② Press the FUNC button. The cursor moves to the data item.
- ③ Change the data using the UP or DOWN button.
 - +20 ~ -20
 - + Orange direction
 - Cyan direction

Press the FUNC button at a desired data value to set the data.

```
FILE          A
SHUTTER      AUTO
PEDESTAL     00
SYNC         INT
AREA         LINK:1
WB-OFFSET    00
```

```
INIT.
END
```

PUSH **FUNC** TO SELECT

```
FILE
SHUTTER
PEDESTAL
SYNC
AREA
WB-OFFSET    00
```

```
INIT.
END
```

PUSH **FUNC** TO SELECT

7.7 INIT. (Scene File Initialization)

This reset settings of the scene file to the factory setting.

- ① Select a scene file (A or B) to initialize the setting in FILE.
- ② Move the cursor to INIT. using the UP or DOWN button.
- ③ Press the FUNC button. The selected scene file (A or B) is displayed. NO/YES is displayed.
- ④ Select NO when not initializing. Select YES and press the FUNC button when initializing.

```

FILE          A
SHUTTER      AUTO
PEDESTAL     00
SYNC         INT
AREA         LINK:1
WB-OFFSET    00

INIT.
END

PUSH [FUNC] TO SELECT
    
```

```

FILE          A
SHUTTER      AUTO
PEDESTAL     00
SYNC         INT
AREA         LINK:1
WB-OFFSET    00

INIT.        NO
END          YES

PUSH [FUNC] TO SELECT
    
```

Factory setting (the following setting if INIT. is executed)
The setting is common to scene files A and B.

```

SHUTTER      AUTO
PEDESTAL     00
SYNC         EXT.VBS
AREA         LINK:1
WB-OFFSET    00

                ( SEP WB      1 )
                ( SHUTTER 1 )

                H-PHS  50
                SC-PHS  0
                SC-FINE 50

                LEVEL  00
                BLC    OFF
                PEAK:AVE 00:10
    
```

7.8 END (Ending ON SCREEN DISPLAY)

To turn off the menu, move the cursor to END using the UP or DOWN button and press the FUNC button. To store the setting in the camera, be sure to turn off the display by pressing END. When the display is turned off, the setting is stored in the camera. If the POWER switch is turned off while the menu is being displayed, the setting is not stored and the old data remains.

```

FILE          A
SHUTTER      AUTO
PEDESTAL     00
SYNC         INT
AREA         LINK:1
WB-OFFSET    00

INIT.
END

PUSH [FUNC] TO SELECT
    
```

8. EXTERNAL SYNC

When using the camera with external sync, connect a composite video signal (C-VIDEO) to the EXT SYNC terminal on back of the camera control unit. When the camera accepts external sync, it is automatically switched from the internal sync to the external sync.

(1) External sync signal input conditions

C-VIDEO	:	SYNC section	$0.3 \pm 0.1V$
(75Ω unbalanced)		BURST section	$0.3 \pm 0.1V$

(2) External sync frequency range

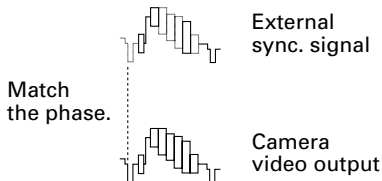
Within ± 50 ppm in reference to NTSC standard frequency
(H frequency 15733.5 Hz to 15735.0 Hz)

(3) Using the camera with external sync signal

When using more than two cameras in external synchronization, this adjustment allows matching of color tone between two cameras. Adjust H (horizontal) phase and SC (sub carrier) phase if necessary.

(3.1) H (horizontal) phase adjustment

Observe the external sync signal and video output signal on the camera with a dual trace oscilloscope, and adjust "H-PHS" of "SYNC" on the screen menu so that the H phase matches.



(3.2) SC (sub carrier) phase adjustment

Perform a coarse adjustment for 0, 90, 180, or 270 degrees in "SC-PHS" on the screen menu and then perform a fine adjustment with "SC-FINE". Using a vector scope for the phase adjustment will provide more accuracy.

9. CAUTIONS ON USE AND INSTALLATION

- **Carefully handle the units.**

Do not drop, or give a strong shock or vibration to the camera. This may cause problems. Treat the camera cables carefully to prevent cable problems, such as cable breakdown and loosened connections.

- **Do not shoot intense light.**

If there is an intense light at a location on the screen such as a spot light, a blooming and smearing may occur. When intense light enters, vertical stripes may appear on the screen. This is not a malfunction. Ghosts may occur when there is an intense light near the object. In this case, change the shooting angle.

- **Install the camera in a location free from noise.**

If the camera or the cables are located near power utility lines or a TV, etc. undesirable noise may appear on the screen. In such a case, try to change the location of the camera or the cable wiring.

- **Moire**

When thin stripe patterns are shot, stripe patterns that are not actually there (moire) may appear as interference stripes. This is not a malfunction.

- **Operating ambient temperature and humidity.**

Do not use the camera in places where temperature and humidity exceed the specifications. Picture quality will lower and internal parts may be damaged.

Be particularly careful when using in places exposed to direct sunlight. When shooting in hot places, depending on the conditions of the object and the camera (for example when the gain is increased), noise in the form of vertical strips or white dots may occur. This is not a malfunction.

- **Handling of the protection cap.**

Keep the protection cap away from children. Children may put them into mouth or swallow them accidentally. The protection cap protects the image sensing plane when the lens is removed from the camera, do not throw away.

- **When not using the camera for a long-time.**

Stop supplying power.

- **When cleaning the camera**

Always turn off the power and clean with a piece of soft dry cloth. Do not use benzene, alcohol, thinner, household detergents, chemically treated cloths, etc. If used, coating and printed letters may be discolored. When cleaning the lens, use a lens cleaning paper, etc.

- **Avoid using or storing the camera in the following places:**

Places filled with highly flammable gas.

Places near gasoline, benzene, or paint thinner.

Places subject to strong vibration.

Places contacting chemicals (such as pesticides), rubber or vinyl products for a long period of time.

10. BEFORE MAKING A SERVICE CALL

Symptom	Items to be checked
No picture	<ul style="list-style-type: none">• Is the power supplied correctly?• Is the lens iris adjusted correctly?• Are the cables connected correctly?
Poor color	<ul style="list-style-type: none">• Is the monitor (TV) adjusted correctly?• Is the white balance of the camera adjusted correctly? (in modes other than automatic trace)• Is the illumination dark?• Is the SC phase adjusted correctly? (External sync)
"HEAD UNCONNECTED" or "CABLE DETECT ERR" is displayed on the screen	<ul style="list-style-type: none">• Turn the power of the camera off, make proper connection for the camera head, camera cable, and camera control unit, and then turn the power on again. (Improper connection may cause the trouble.)

11. OPTIONAL PARTS

For further details, call the dealers.

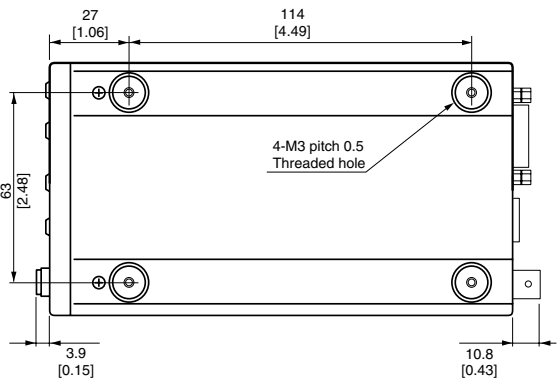
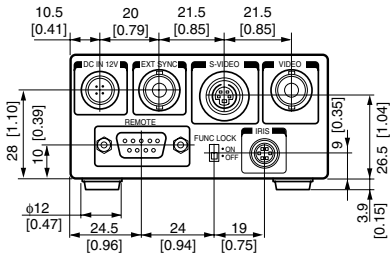
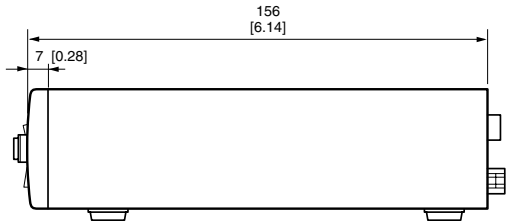
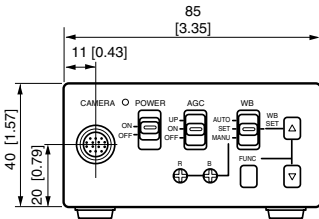
Camera head

Type name	
IK-SM43H	7mm Camera head
IK-C44H	C mount head
IK-M44H	17mm Camera head
IK-UM44H	12mm Camera head

12. EXTERIOR DIMENSIONS

Unit : mm [inch]

Camera Control Unit

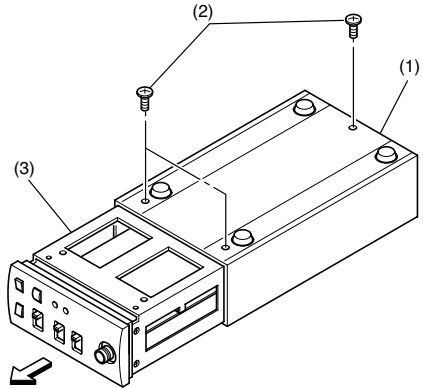


Servicing Instructions for Service Personnel

13. Connection to Camera Head (IK-M43H/IK-C43H)

When connecting to the camera head (IK-M43H/IK-C43H), select the internal switch inside the camera controller following to the procedures below.

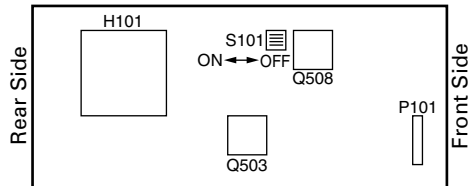
- ① After turning off the power, remove all the cables connected to the camera controller.
- ② Remove three screws on the bottom chassis of the camera control unit to remove the internal unit.
- ③ Turn off No. 3 of S101 switch located on the component side of the internal circuit unit PC board.



No3 of S101 switch	Applicable camera head to connect
OFF	IK-M43H IK-CN43H
ON	IK-M44H IK-C44H IK-UM44H IK-SM44H IK-SM45H

Note: Do not change the switch settings other than S101. If you change the settings, the normal image may not be obtained.

- ④ Perform the reverse procedures to assemble.



LIMITED WARRANTY

Promptly register your product with Toshiba on-line at www.toshiba.com/taisisd. By registering your product you will be eligible for periodic updates, announcements, and special offers. You will have access to extended warranty options, upgrades (as applicable), useful tips, on-line troubleshooting, and the ability to schedule service on-line if necessary. The Imaging Systems Division of Toshiba America Information Systems, Inc. ("ISD") makes the following limited warranties. These limited warranties extend to the Original End-User ("Your[r]").

Limited One (1) Year Warranty of Labor and Parts

ISD warrants this product and parts against defects in material or workmanship for a period of one year from the date of original retail purchase by the end-user. During this period, ISD will repair or replace a defective product or part with a new or refurbished item. The user must deliver the entire product to an ISD authorized service center. The user is responsible for all transportation and insurance charges for the product to the Service Center. ISD reserves the right to substitute Factory Refurbished Parts and / or Factory Refurbished Product in place of those in need of repair.

Step-by-step Procedures - How to Obtain Warranty Service

- [1] Verify operation of the unit by checking the instruction manual
- [2] If there is a defect in material or workmanship, contact an Authorized Service Provider within 30 days after the product fails to comply with specifications.
- [3] Arrange for delivery of the product to the ISD authorized service center. Products must be insured and securely packed, preferably in the original shipping carton. A letter explaining the defect and a copy of the bill of sale or other proof of purchase must be enclosed with a complete return street address and daytime telephone number. Charges for transportation and insurance must be prepaid by the end-user.

Questions? If you have any questions, please check the Toshiba Imaging Systems Division Web site as follows:

Website: <http://www.toshiba.com/taisisd/indmed>

Your Responsibility, warranties are subject to the following conditions:

- [1] You must retain the bill of sale or provide other proof of purchase.
- [2] You must schedule service within thirty days after you discover a defective product or part.
- [3] All warranty servicing of this product must be made by a Toshiba ISD Authorized Service Provider.
- [4] The warranty extends to defects in material or workmanship as limited above, and not to any products or parts that have been lost or discarded by user. The warranty does not cover damage caused by misuse, accident, improper installation, improper maintenance, or use in violation of instructions furnished by ISD. The warranty does not extend to units which have been altered or modified without authorization of ISD, or to damage to products or parts thereof which have had the serial number removed, altered defaced or rendered illegible.

ALL WARRANTIES IMPLIED BY STATE LAW, INCLUDING THE IMPLIED WARRANTIES OF MERCHANTABILITY AND FITNESS FOR A PARTICULAR PURPOSE, ARE EXPRESSLY LIMITED TO THE DURATION OF THE LIMITED WARRANTIES SET FORTH ABOVE. Some states do not allow limitations on how long an implied warranty lasts, so the above limitation may not apply. WITH THE EXCEPTION OF ANY WARRANTIES IMPLIED BY STATE LAW AS HEREBY LIMITED, THE FOREGOING EXPRESS WARRANTY IS EXCLUSIVE AND IN LIEU OF ALL OTHER WITH RESPECT TO THE REPAIR OR REPLACEMENT OF ANY PRODUCTS OR PARTS. IN NO EVENT SHALL ISD BE LIABLE FOR CONSEQUENTIAL OR INCIDENTAL DAMAGES. Some states do not allow the exclusion or limitation of incidental or consequential damages so the above limitation may not apply.

No person, agent, distributor, dealer, service station or company is authorized to change, modify or extend the terms of these warranties in any manner whatsoever. The time within which an action must be commenced to enforce any obligation of ISD arising under this warranty or under any statute, or law of the United States or any state thereof, is hereby limited to one year from the date you discover or should have discovered, the defect. This limitation does not apply to implied warranties arising under state law. Some states do not permit limitation of the time within which you may bring an action beyond the limits provided by state law so the above provision may not apply to user. This warranty gives the user specific legal rights, and user may also have other rights, which may vary from state to state.

TOSHIBA AMERICA INFORMATION SYSTEMS, INC.
Imaging Systems Division

Copyright © 2002 Toshiba America, Inc. All rights reserved.

Printed in Japan 23552119

TOSHIBA

Free Manuals Download Website

<http://myh66.com>

<http://usermanuals.us>

<http://www.somanuals.com>

<http://www.4manuals.cc>

<http://www.manual-lib.com>

<http://www.404manual.com>

<http://www.luxmanual.com>

<http://aubethermostatmanual.com>

Golf course search by state

<http://golfingnear.com>

Email search by domain

<http://emailbydomain.com>

Auto manuals search

<http://auto.somanuals.com>

TV manuals search

<http://tv.somanuals.com>