



Quick Installation Guide

5GHz 30dBi Outdoor Grid Parabolic Antenna

TL-ANT5830B

7106503929
Rev. 1.0.0

I. Introduction



TL-ANT5830B, the TP-Link 5GHz 30dBi Outdoor Grid Parabolic Antenna, is applicable for outdoor point-to-point or point-to-multi-point directional signal transmission.

It is usually mounted on such high-level outdoor locations as towers, roofs, etc.

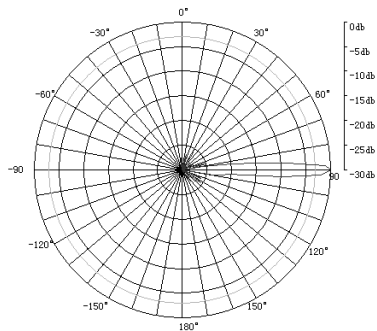
The easy way to mount **TL-ANT5830B** is to bind it to a mast, as illustrated above.

* **TL-ANT5830B** is only compatible with 5GHz Access Points. Please do not connect it with 2.4GHz AP.

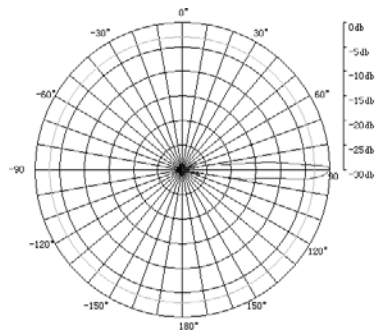
II. Specifications

Electrical Specifications	
Model	TL-ANT5830B
Frequency Rang-MHz	5150-5850
Gain-dBi	30
VSWR	≤1.8
Horizontal Beamwidth-°	6
Vertical Beamwidth-°	4
Polarization	Vertical or Horizontal
F/B Ratio-dB	>30
Impedance-Ω	50
Maximum Input Power-W	100
Connector	N Female
Mechanical Specifications	
Antenna Dimension-mm	600×900
Weight-Kg	3, 5
Mounting Mast Diameter-mm	Ø30~Ø50
Radome Material	Aluminium Die Cast
Rated Wind Velocity-Km/h	241

III. Radiation Patterns



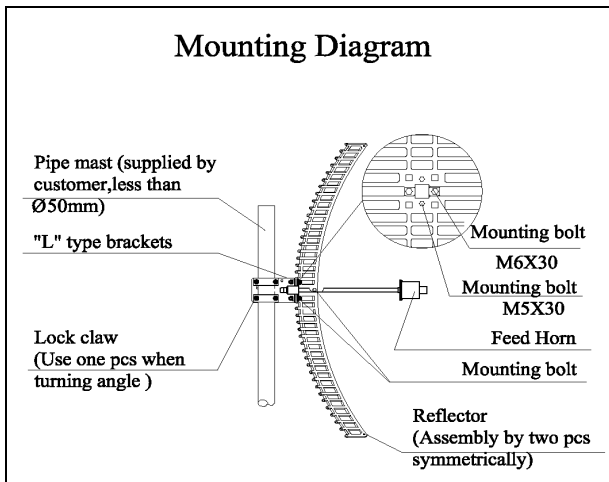
Vertical Pattern



Horizontal Pattern

IV. Installation

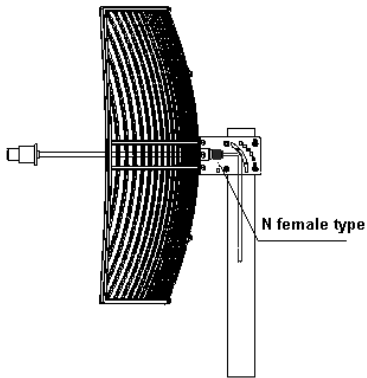
Please find the necessary accessories in the attachment, and take the following steps to install your antenna **TL-ANT5830B**.



1. Mount the antenna on the "L" type brackets according to the mounting diagram.
Make sure the antenna polarization is parallel to the direction you need. When the antenna polarization is vertical to the

ground, the antenna is vertically polarized. When the antenna polarization is horizontal to the ground, the antenna is horizontally polarized.

2. Mount the antenna on the pipe mast according to the mounting diagram.
3. Test the antenna with equipment to make sure the antenna receive the best signal by turning the azimuth and pitching angle, then lock all the screws and seal the connector between antenna and cable.



4. Connect **TL-ANT5830B** to 5GHz AP (Access Point) interface with cables. It's recommended to use radio frequency cables with high quality and low loss. Besides, the shorter the cable is, the better it will be to avoid unnecessary loss.

Warning:

- Mount the antenna at a safe location, far away from power lines, lamps, and other cables.
- Do not mount the antenna in the rain or thunder storm.
- Do not mount the antenna alone.

Technical Support

- For more troubleshooting help, go to: <http://www.tp-link.com/en/support/faq>
- To download the latest Firmware, Driver, Utility and User Guide, go to:
<http://www.tp-link.com/en/support/download>
- For all other technical support, please contact us by using the following details:

Global

Tel: +86 755 26504400
E-mail: support@tp-link.com
Service time: 24hrs, 7 days a week

Singapore

Tel: +65 62840493
E-mail: support.sg@tp-link.com
Service time: 24hrs, 7 days a week

UK

Tel: +44 (0) 845 147 0017
E-mail: support.uk@tp-link.com
Service time: 24hrs, 7 days a week

USA/Canada

Toll Free: +1 866 225 8139
E-mail: support.usa@tp-link.com
Service time: 24hrs, 7 days a week

Malaysia

Tel: 1300 88 875465 (1300 88TPLINK)
Email: support.my@tp-link.com
Service time: 24hrs, 7 days a week

Turkey

Tel: 444 19 25 (Turkish Service)
E-mail: support.tr@tp-link.com
Service time: 9:00 AM to 6:00 PM
7 days a week

Poland

Tel: +48 (0) 801 080 618 / +48 22 7217563 (if calls from mobile phone)
E-mail: support.pl@tp-link.com
Service time: Monday to Friday 9:00 AM to 5:00 PM. GMT+1 or GMT+2 (Daylight Saving Time)

Germany / Austria

Tel: +49 1805 875465 (German Service)
+49 1805 TPLINK
E-mail: support.de@tp-link.com
Fee: 0.14 EUR/min from the German fixed phone network and up to 0.42 EUR/min from mobile phone
Service time: Monday to Friday 9:00 AM to 6:00 PM. GMT+ 1 or GMT+ 2 (Daylight Saving Time in Germany)
*Except bank holidays in Hesse

Australia & New Zealand

Tel: AU 1300 87 5465
NZ 0800 87 5465
E-mail: support@tp-link.com.au
Service time: 24hrs, 7 days a week

Italy

Tel: +39 02 66987799
E-mail: support.it@tp-link.com
Service time: Monday to Friday
9:00 AM to 6:00 PM

Ukraine

Tel: 0-800-505-508
E-mail: support.ua@tp-link.com
Service time: Monday to Friday
14:00 PM to 22:00 PM

Brazil

Toll Free: 0800-770-4337 (Portuguese Service)
E-mail: supporte.br@tp-link.com
Service time: Monday to Saturday
08:00 AM to 08:00 PM

Indonesia

Tel: (+62) 021 6259 135
E-mail : support.id@tp-link.com
Service time : Monday to Friday
9:00 -12:00; 13:00 -18:00
*Except public holidays

Switzerland

Tel: +41 (0) 848 800998 (German Service)
E-mail: support.ch@tp-link.com
Fee: 4-8 Rp/min, depending on rate of different time
Service time: Monday to Friday 9:00 AM to 6:00 PM. GMT+ 1 or GMT+ 2 (Daylight Saving Time)

Russian Federation

Tel: 8 (499) 754-55-60
8 (800) 250-55-60
(toll-free call from any RF region)
E-mail: support.ru@tp-link.com
Service time: From 10:00 to 18:00 (Moscow time)
*Except weekends and holidays in Russian Federation

Free Manuals Download Website

<http://myh66.com>

<http://usermanuals.us>

<http://www.somanuals.com>

<http://www.4manuals.cc>

<http://www.manual-lib.com>

<http://www.404manual.com>

<http://www.luxmanual.com>

<http://aubethermostatmanual.com>

Golf course search by state

<http://golfingnear.com>

Email search by domain

<http://emailbydomain.com>

Auto manuals search

<http://auto.somanuals.com>

TV manuals search

<http://tv.somanuals.com>