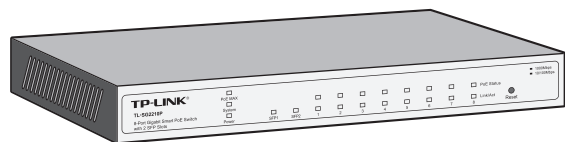


# Installation Guide

8-Port Gigabit Smart PoE Switch with 2 SFP Slots

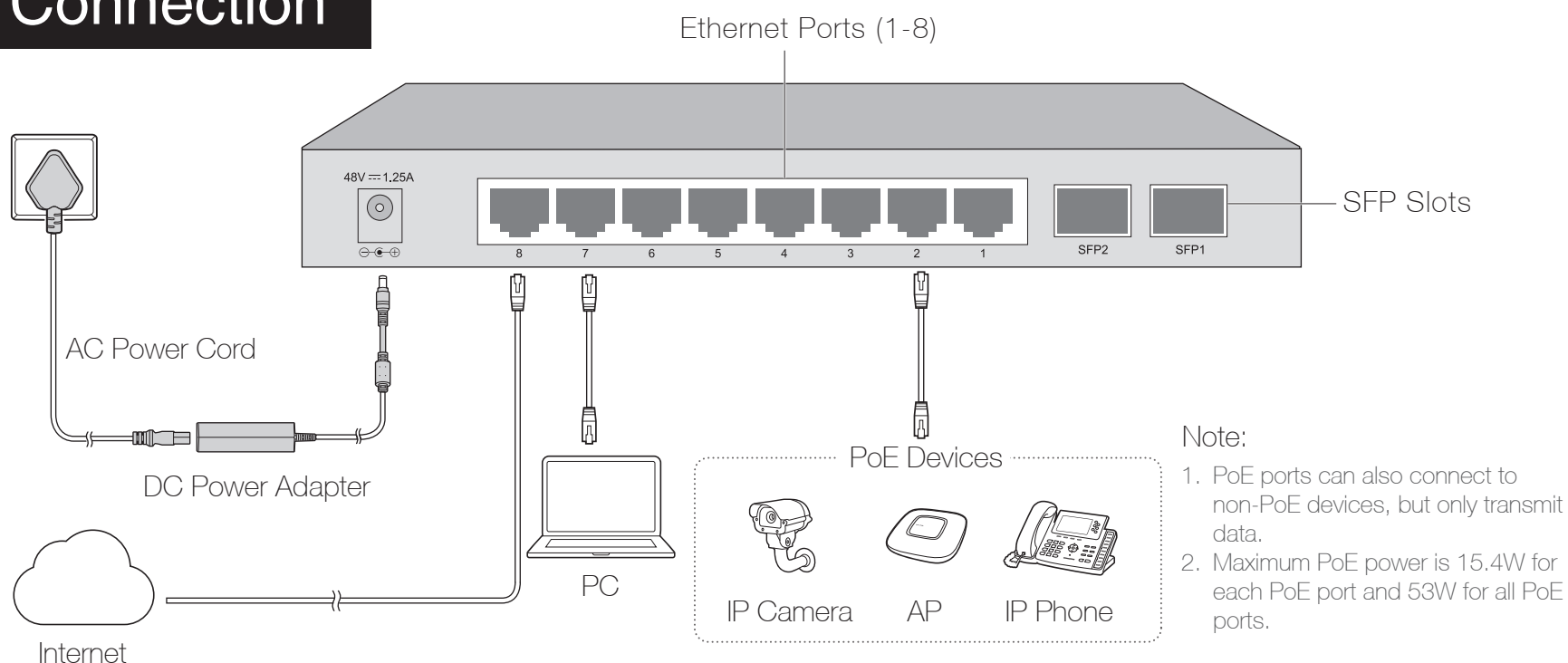
TL-SG2210P



7106504968 REV2.0.0

For more information, please visit our website: <http://www.tp-link.com>

## Connection



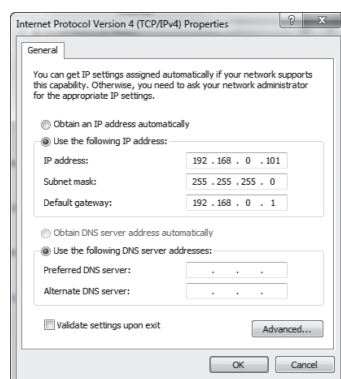
## Configuration

- To access the GUI of the switch, open a browser and type the default management address <http://192.168.0.1> in the address field of the browser, then press the Enter key.



Note:

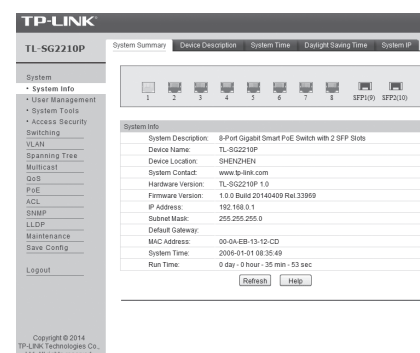
To log in to the switch, the IP address of your PC should be set in the same subnet as that of the switch. The IP address is 192.168.0.x ("x" is any number from 2 to 254). Subnet Mask is 255.255.255.0. For details, please refer to Appendix B in the User Guide on the resource CD.



- Enter admin for both the User Name and Password in the lower case letters. Then click the Login button or press the Enter key.



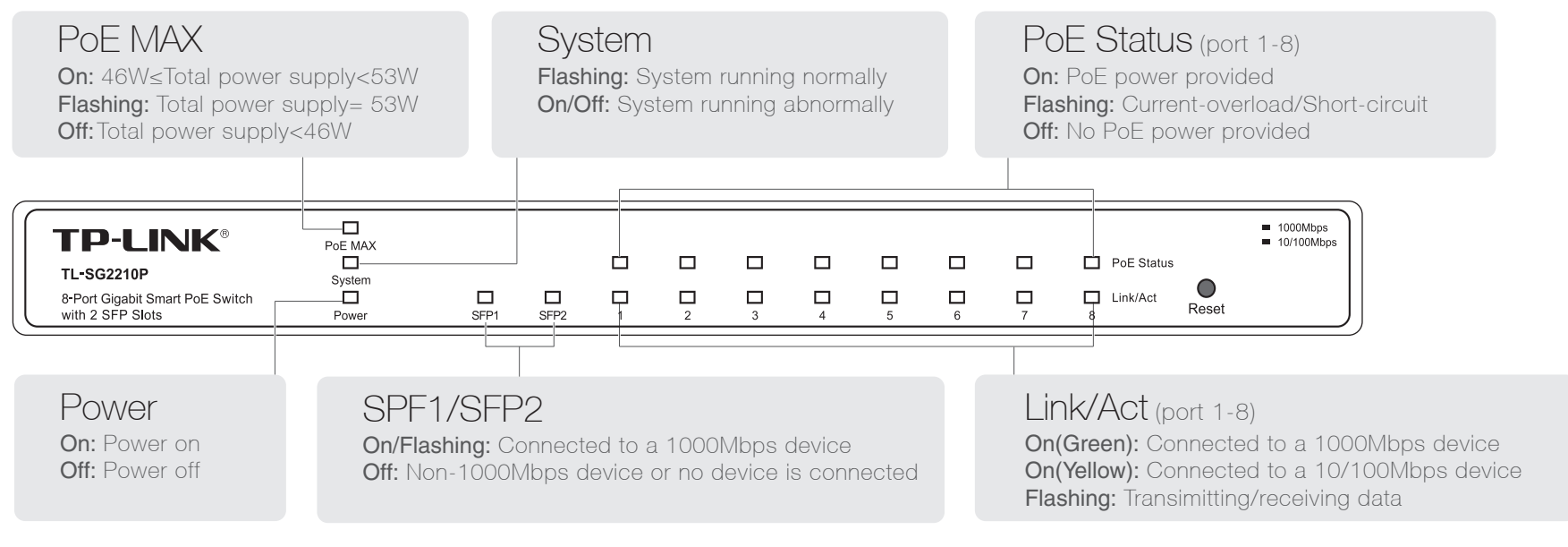
- After a successful login, the main page will appear as follows, and you can click the menu on the left side to configure the corresponding functions.



Note:

For more details about how to configure the switch, see the User Guide on the resource CD.

# LED Explanation



## Frequently Asked Questions (FAQ)

### Q1. The Power LED is not lit

The Power LED should be lit when the power system is working normally. If the Power LED is not lit, please check as follows:

- A1: Make sure the DC power cord is connected to the switch with power source properly.  
A2: Make sure the voltage of the power supply meets the requirements of the input voltage of the switch.  
A3: Make sure the power source is ON.

### Q2. The Link/Act LED is not lit when a device is connected to the corresponding port

It is recommended that you check the following items:

- A1: Make sure that the cable connectors are firmly plugged into the switch and the device.  
A2: Make sure the connected device is turned on and works normally.  
A3: The cable must be less than 100 meters long (328 feet).

### Q3. Why are some ports not supplying power for PoE devices?

If all PoE PDs power consumption exceeds 53W, a priority will be arranged among the ports. The port with smaller number has higher priority. For example, Port 1, 2 and 5 is consuming 15.4W respectively. If an additional PD with 12W is inserted to Port 3, the system will cut off the power of Port 5 because of the overload.

## General Specifications

Standard	IEEE802.3, IEEE802.3u, IEEE802.3ab, IEEE802.3ad, IEEE802.3af, IEEE802.3x, IEEE802.1p, IEEE802.1q, IEEE802.1d, IEEE802.1s, IEEE802.1w, IEEE802.3z
Protocol	CSMA/CD Ethernet: 10Mbps (Half Duplex) 20Mbps (Full Duplex) Fast Ethernet: 100Mbps (Half Duplex) 200Mbps (Full Duplex) Gigabit Ethernet: 2000Mbps (Full Duplex)
Data Transfer Rate	10Base-T: UTP Cat. 3, 4, 5 cable (maximum 100m) EIA/TIA-568 100Ω STP (maximum 100m) 100Base-TX: UTP of Cat. 5 or above (maximum 100m) EIA/TIA-568 100Ω STP (maximum 100m) 1000Base-T: UTP of Cat. 5e or above (maximum 100m) EIA/TIA-568 100Ω STP (maximum 100m)
Network Media(Cable)	8 10/100/1000Mbps Auto-Negotiation RJ45 ports and 2 SFP slots
Number of Ports	Power, System, Link/Act, PoE MAX, PoE Status, SFP1, SFP2
LED Indicators	PoE Ports: Port1-Port8 Total Power Supply: 53W
PoE Ports (RJ45)	Store and Forward
Transfer Method	Automatically learning, automatically aging
MAC Address Learning	10Base-T: 14881pps/Port 100Base-Tx: 148810pps/Port 1000Base-T: 1488095pps/Port
Frame Filter Rate	10Base-T: 14881pps/Port 100Base-Tx: 148810pps/Port 1000Base-T: 1488095pps/Port
Frame Forward Rate	

## Environmental and Physical Specifications

Operating Temperature	0°C~40°C (32°F~104°F)
Storage Temperature	-40°C~70°C (-40°F~158°F)
Operating Humidity	10%~90% non-condensing
Storage Humidity	5%~90% non-condensing

## SAFETY NOTICES

### ⚠ Cautions

Do not use this product near water, for example, in a wet basement or near a swimming pool. Avoid using this product during an electrical storm. There may be a remote risk of electric shock from lightning.

### COPYRIGHT & TRADEMARKS

Specifications are subject to change without notice. **TP-LINK®** is a registered trademark of TP-LINK TECHNOLOGIES CO., LTD. Other brands and product names are trademarks or registered trademarks of their respective holders. No part of the specifications may be reproduced in any form or by any means or used to make any derivative such as translation,

transformation, or adaptation without permission from TP-LINK TECHNOLOGIES CO., LTD. Copyright © 2014 TP-LINK TECHNOLOGIES CO., LTD. All rights reserved. <http://www.tp-link.com>

### CE Mark Warning

This is a class A product. In a domestic environment, this product may cause radio interference, in which case the user may be required to take adequate measures.



## FCC FCC STATEMENT

This equipment has been tested and found to comply with the limits for a Class A digital device, pursuant to part 15 of the FCC Rules. These limits are designed to provide reasonable protection against harmful interference when the equipment is operated in a commercial environment. This equipment generates, uses, and can radiate radio frequency energy and, if not installed and used in accordance with the instruction manual, may cause harmful interference to radio communications. Operation of this equipment in a residential area is likely to cause harmful interference in which case the user will be required to correct the interference at his own

expense. This device complies with part 15 of the FCC Rules. Operation is subject to the following two conditions:  
1) This device may not cause harmful interference.  
2) This device must accept any interference received, including interference that may cause undesired operation. Any changes or modifications not expressly approved by the party responsible for compliance could void the user's authority to operate the equipment.

## Free Manuals Download Website

<http://myh66.com>

<http://usermanuals.us>

<http://www.somanuals.com>

<http://www.4manuals.cc>

<http://www.manual-lib.com>

<http://www.404manual.com>

<http://www.luxmanual.com>

<http://aubethermostatmanual.com>

Golf course search by state

<http://golfingnear.com>

Email search by domain

<http://emailbydomain.com>

Auto manuals search

<http://auto.somanuals.com>

TV manuals search

<http://tv.somanuals.com>