

LAND CRUISER

2009 Quick Reference Guide



2009 Land Cruiser

This *Quick Reference Guide* is a summary of basic vehicle operations. It contains brief descriptions of fundamental operations so you can locate and use the vehicle's main equipment quickly and easily.

The *Quick Reference Guide* is not intended as a substitute for the *Owner's Manual* located in your vehicle's glove box. We strongly encourage you to review the *Owner's Manual* and supplementary manuals so you will have a better understanding of your vehicle's capabilities and limitations.

Your dealership and the entire staff of Toyota Motor Sales, U.S.A., Inc. wish you many years of satisfied driving in your new Land Cruiser.

! A word about safe vehicle operations

This *Quick Reference Guide* is not a full description of Land Cruiser operations. Every Land Cruiser owner should review the *Owner's Manual* that accompanies this vehicle.

Pay special attention to the boxed information highlighted in color throughout the *Owner's Manual*. Each box contains safe operating instructions to help you avoid injury or equipment malfunction.

All information in this *Quick Reference Guide* is current at the time of printing. Toyota reserves the right to make changes at any time without notice.

INDEX

OVERVIEW

Engine maintenance	9
Fuel tank door release and cap	8
Hood release	8
Indicator symbols	4-5
Instrument cluster	4
Instrument panel	2-3
Keyless entry¹	6
Light control-Instrument panel	9
Smart Key system^{1,2}	7

FEATURES/OPERATIONS

Air Conditioning/Heating	18-19
Audio	20-21
Auto lock functions¹	11
Automatic Transmission	10
Back door	17
Clock	24
Cool box	27
Crawl control	22
Cruise control	22
Cup holders	27
Door locks	25
Four-wheel drive	11
Garage door opener (HomeLink®) ³	23
Lights¹ & turn signals	15
Moonroof	17
Multi-information display²	24
Parking brake	26
Power outlets-12V DC	23
Power outlets-115V AC	23
Rear seat entertainment system	21
Seat adjustments-Front	12
Seat adjustments-Rear	12
Seat heaters	19
Seats-Head restraints	12
Seats-Tumbling second row seats	13
Seats-Tumbling third row seats	14-15
Steering lock release	10
Tilt and telescopic steering wheel	26
Telephone controls (Bluetooth®)	25
Windows-Power	16
Windshield wipers & washers	16

SAFETY AND EMERGENCY FEATURES

Doors-Child safety locks	29
Seat belts	28
Seat belts-Shoulder belt anchor	28
Spare tire & tools	29
Tire Pressure Monitoring (warning) System	28

¹ Visit your Toyota dealer for information on customizing this feature.

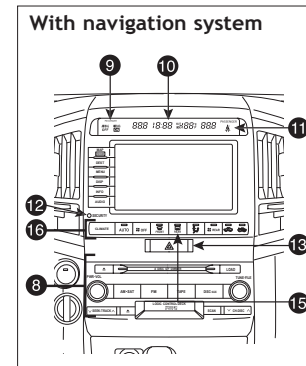
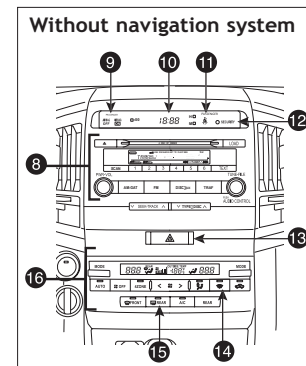
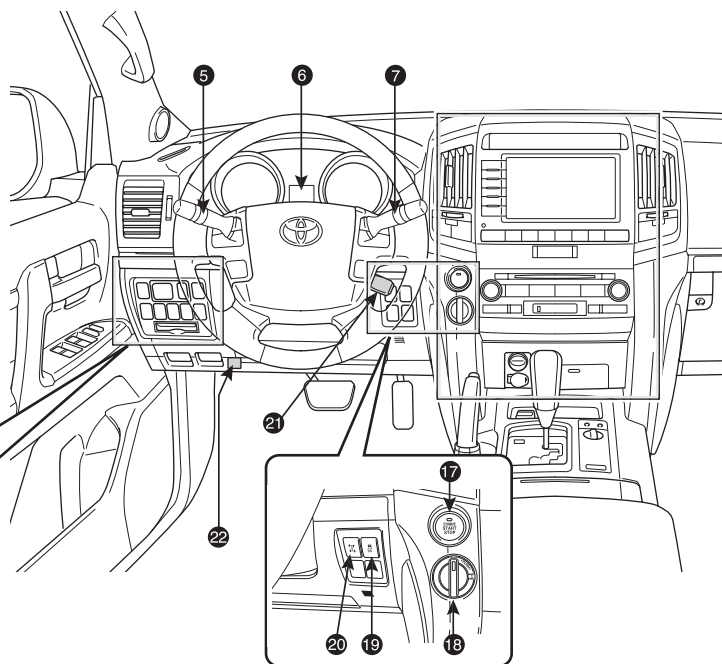
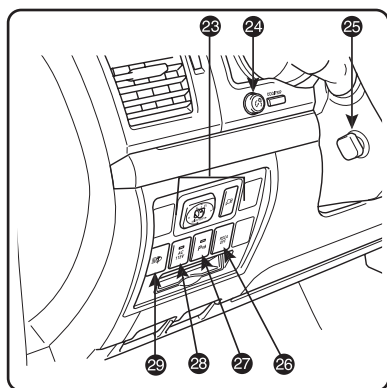
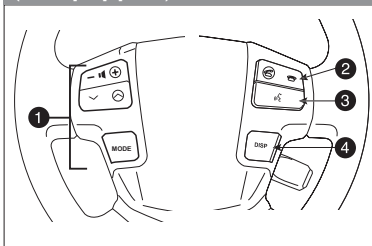
² Programmable by customer. Refer to the Owner's Manual for instructions and more information.

³ HomeLink® is a registered trademark of Johnson Controls, Inc.

OVERVIEW

Instrument panel

Steering wheel controls (if equipped)



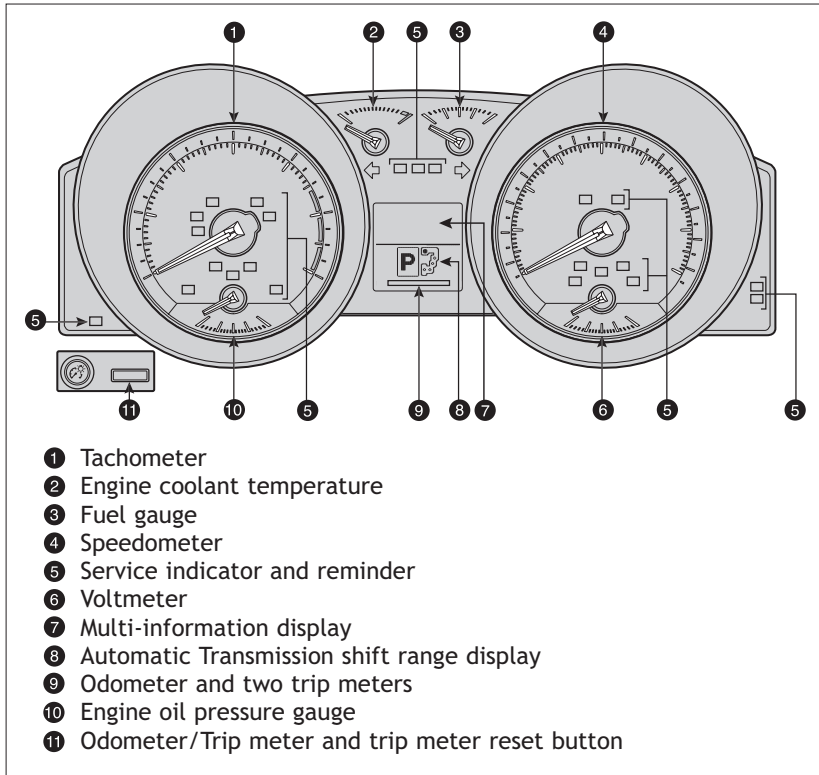
- ❶ Steering wheel audio controls¹
- ❷ Telephone controls^{1,2}
- ❸ Voice command button¹
- ❹ Multi-information display button
- ❺ Headlight, turn signal and front fog light controls
- ❻ Multi-information display
- ❼ Wiper and washer controls
- ❽ Audio system²
- ❾ “AIR BAG ON” and “AIR BAG OFF” indicator
- ❿ Clock
- ⓫ Front passenger seat belt reminder light
- ⓬ Theft deterrent system/Engine immobilizer indicator
- ⓭ Emergency flasher button
- ⓮ Windshield wiper de-icer switch¹
- ⓯ Outside rearview mirrors/Rear window defogger button
- ⓰ Air Conditioning controls²
- ⓱ “ENGINE START STOP” switch

- ⓫ Four-wheel drive control switch
- ⓬ VSC/TRAC OFF switch
- ⓭ Center differential lock/unlock switch
- ⓮ Cruise control
- ⓯ Tire Pressure Warning System reset
- ⓰ Power rearview mirror control
- ⓱ Instrument panel light control
- ⓲ Tilt and telescopic steering control
- ⓳ Roll Sensing of Curtain shield Airbag OFF switch
- ⓴ Toyota park assist switch¹
- ⓵ 115V AC Power outlet main switch
- ⓶ Headlight cleaner¹

¹ If equipped

² Vehicles with navigation system: for details, refer to the “Navigation System Owner’s Manual.”

Instrument cluster



- Unengaged Park warning light
- Low fuel level warning
- Open door warning
- Airbag SRS warning¹
- Master warning¹
- Crawl control indicator¹
- Low Tire Pressure Warning¹
- Roll Sensing of Curtain shield Airbag OFF indicator¹
- PWR mode indicator
- Automatic Transmission second start indicator
- Headlight low/high beam indicator
- Turn signal indicator
- Fog light indicator
- Slip indicator¹
- Low speed four-wheel drive indicator
- Center differential lock indicator
- Cruise control indicator
- Anti-lock Brake System warning¹

Indicator symbols

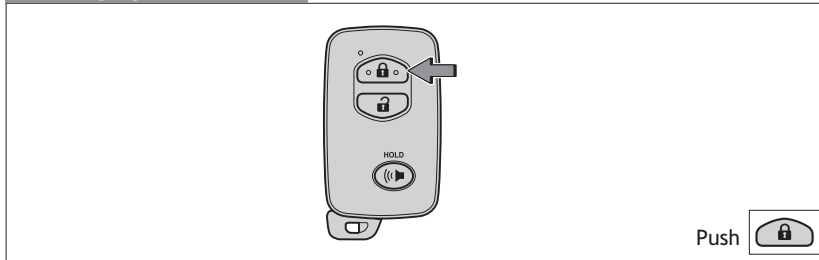
For details, refer to “Indicators and warning lights,” Section 2-2, 2009 Owner’s Manual.

- Brake system warning
- Driver seat belt reminder (alarm will sound if speed is over 12 mph)
- Front passenger seat belt reminder (alarm will sound if speed is over 12 mph)
- Charging system warning¹
- AIR BAG ON and AIR BAG OFF indicator¹
- Pre-Collision System warning light¹
- Malfunction/Check Engine indicator¹

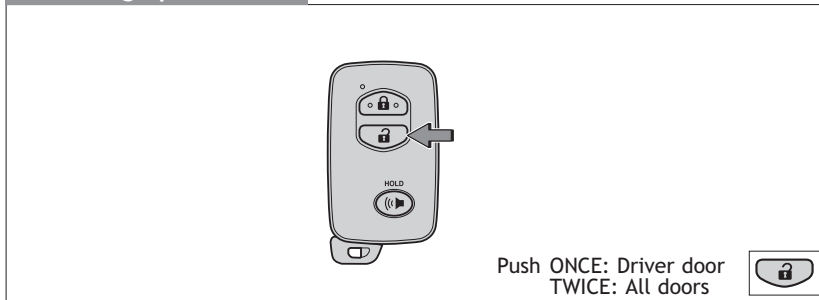
¹ If indicator does not turn off within a few seconds of starting engine, there may be a malfunction. Have vehicle inspected by your Toyota dealer.

Keyless entry

Locking operation

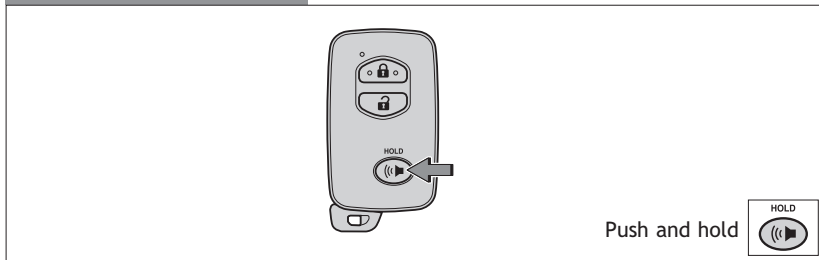


Unlocking operation



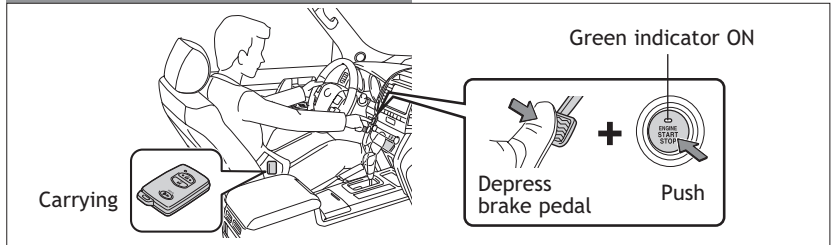
NOTE: If a door is not opened within 60 seconds of unlocking, all doors will relock for safety.

Panic button



Smart Key system

Start function



NOTE: Gear shift lever must be in Park and brake pedal depressed.

Power (without starting engine)

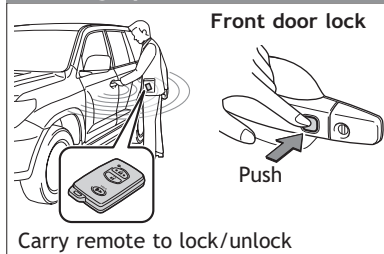
Without depressing the brake pedal, pressing the “ENGINE START STOP” switch will change the operation mode in succession from:

ACCESSORY Accessories such as the radio will operate.

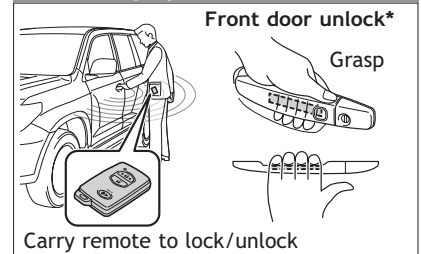
ON Power ON; the engine not running.

OFF All systems OFF.

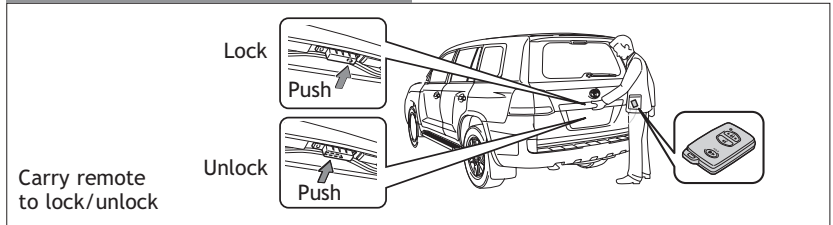
Locking operation



Unlocking operation



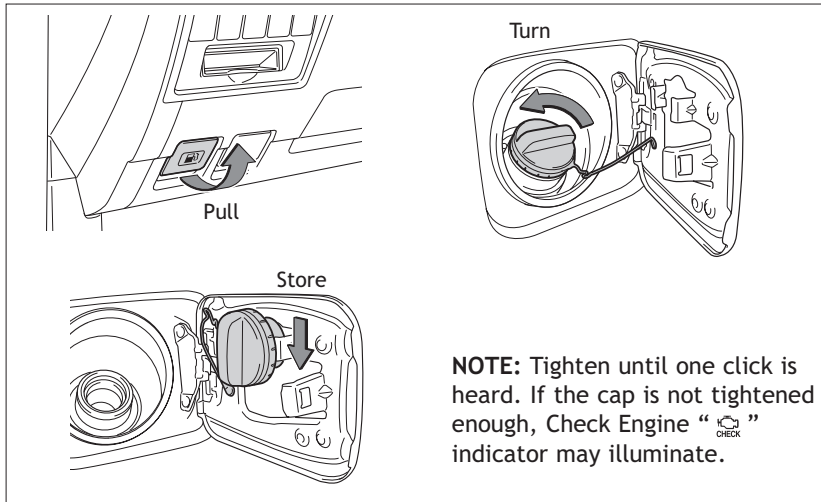
Back door lock/unlock



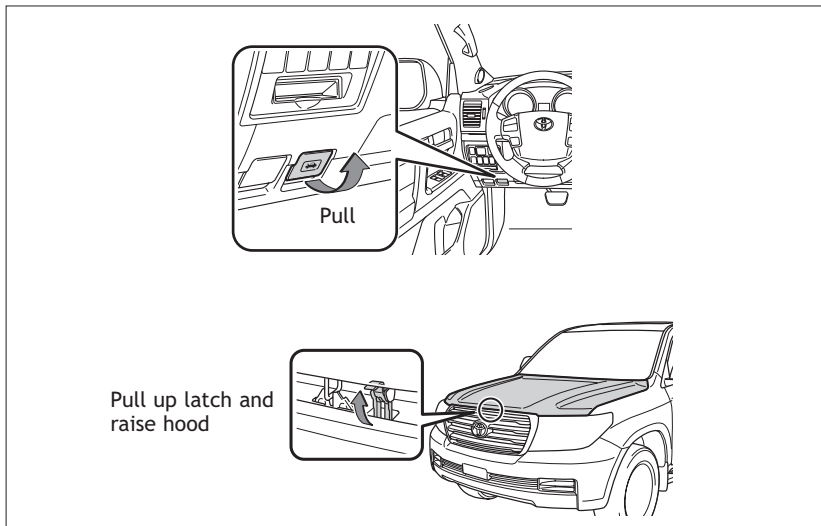
* Driver door unlocking function can be programmed to unlock driver door only, or all doors. Grasping passenger door handle will unlock all doors.

NOTE: Doors may also be locked/unlocked using remote.

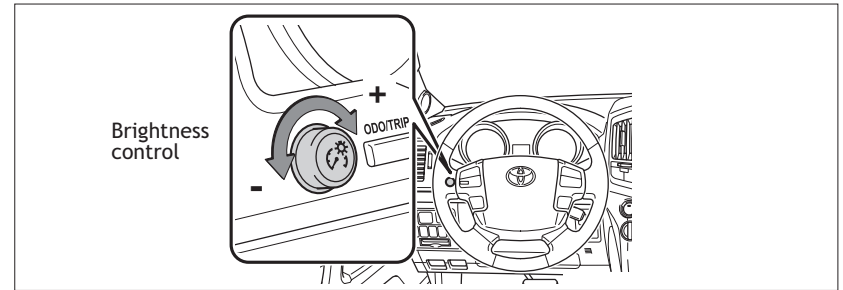
Fuel tank door release and cap



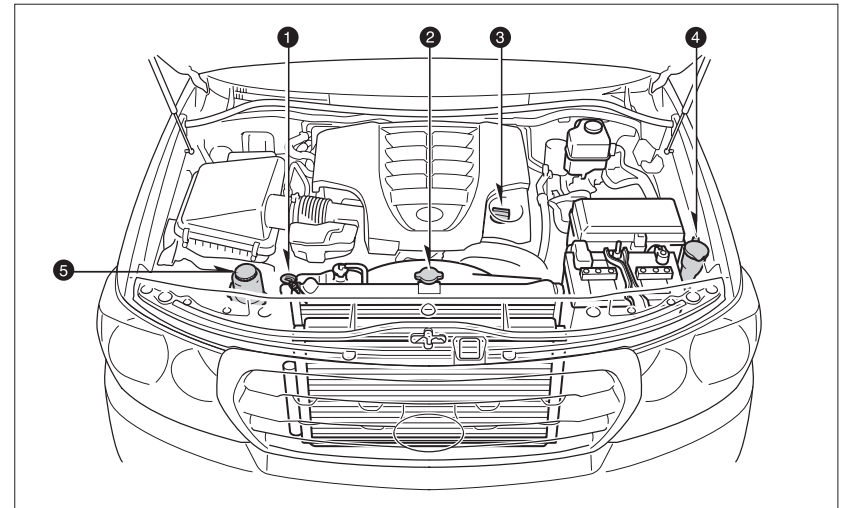
Hood release



Light control-Instrument panel



Engine maintenance

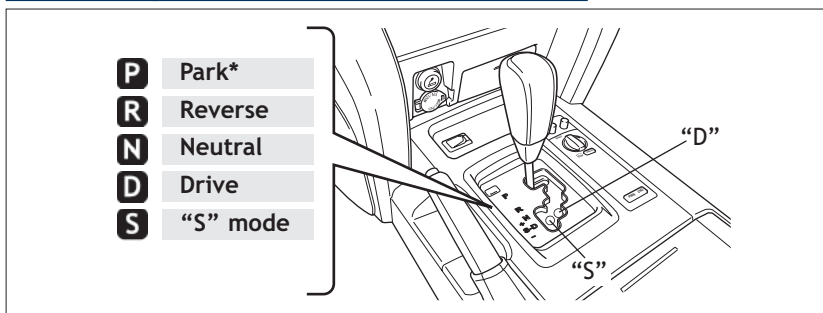


- ① Engine oil level dipstick
- ② Engine coolant reservoir
- ③ Engine oil filler cap
- ④ Windshield washer fluid tank
- ⑤ Power steering fluid reservoir

Note: Regularly scheduled maintenance, including oil changes, will help extend the life of your vehicle and maintain performance. Please refer to the “Owner’s Warranty Information Booklet,” “Scheduled Maintenance Guide” or “Owner’s Manual Supplement.”

FEATURES/OPERATIONS

Automatic Transmission



* The "ENGINE START STOP" switch must be in IGNITION ON mode and the brake pedal depressed to shift from Park.

"S" (Sequential) mode

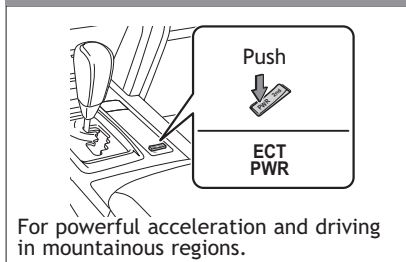
Shift the shift lever to "S" position from "D" position.

Floor shift type:

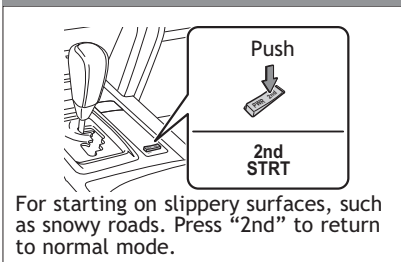
- +: Upshift (push and release)
- : Downshift (pull and release)

Downshifting increases power going uphill, or provides engine braking downhill. For best fuel economy during normal driving conditions, always drive with the shift lever in the "D" position.

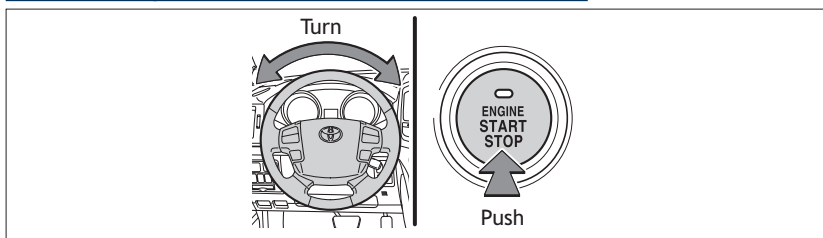
Power mode



Second start mode



Steering lock release



Auto lock functions

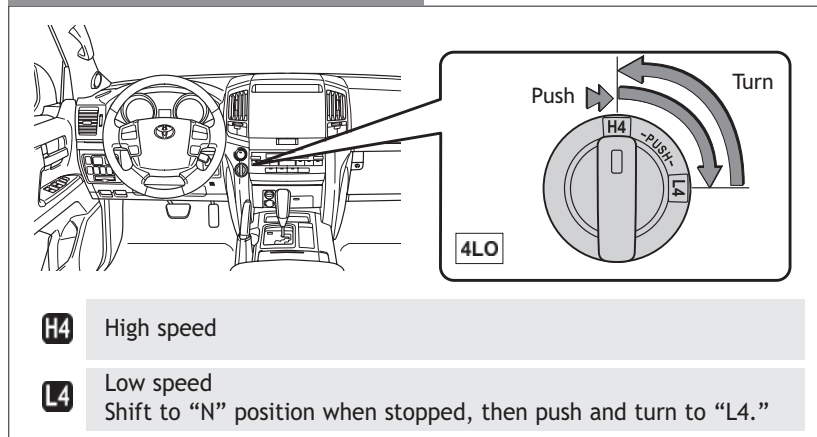
Automatic door locks can be programmed to operate in two different modes, or turned OFF.

- Doors lock when shifting from Park.
- Doors lock when the vehicle speed is approximately 12 mph or higher.
- Doors unlock when shifting into Park.
- Doors unlock when the driver's door is opened within 10 seconds after turning the "ENGINE START STOP" switch OFF.

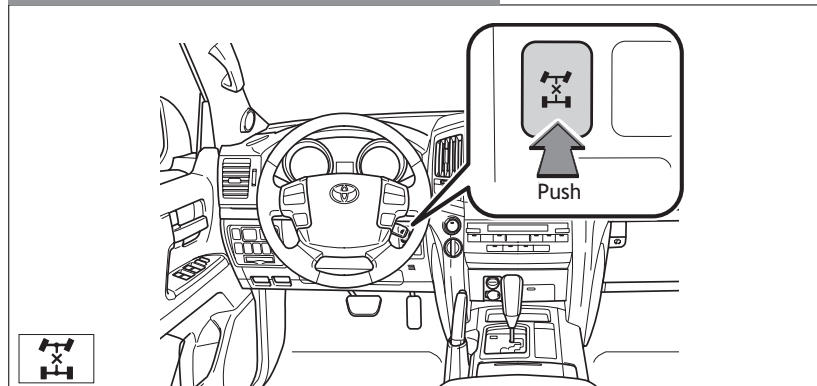
Refer to the *Owner's Manual* for more details.

Four-wheel drive

Four-wheel drive control switch

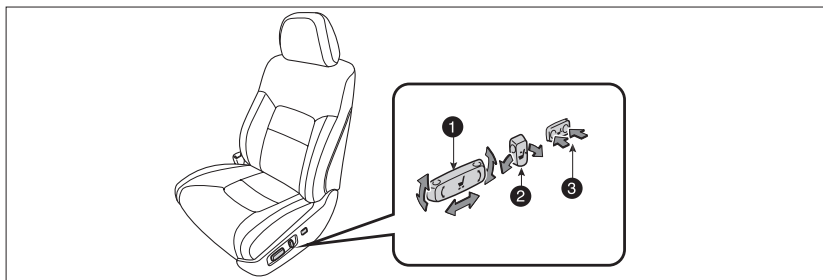


Center differential lock/unlock switch



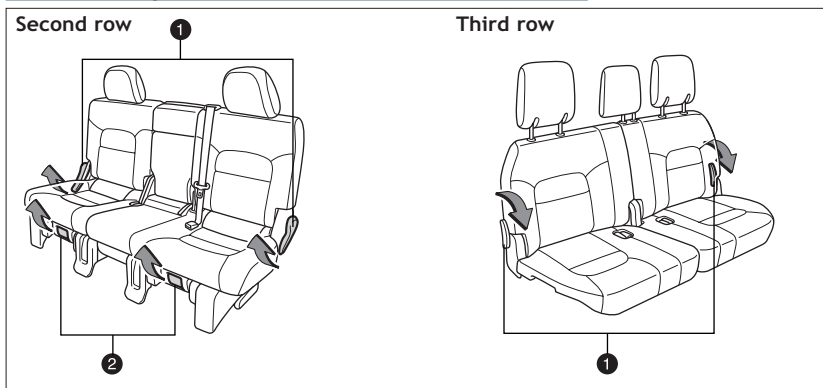
Lock the center differential when your vehicle's wheels get stuck in a ditch or when driving on a slippery or bumpy surface.

Seat adjustments-Front



- ① Seat position, cushion angle and height
- ② Seatback angle
- ③ Lumbar support (driver side only)

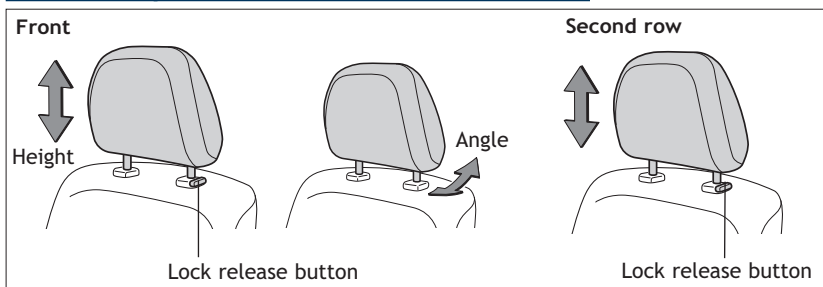
Seat adjustments-Rear



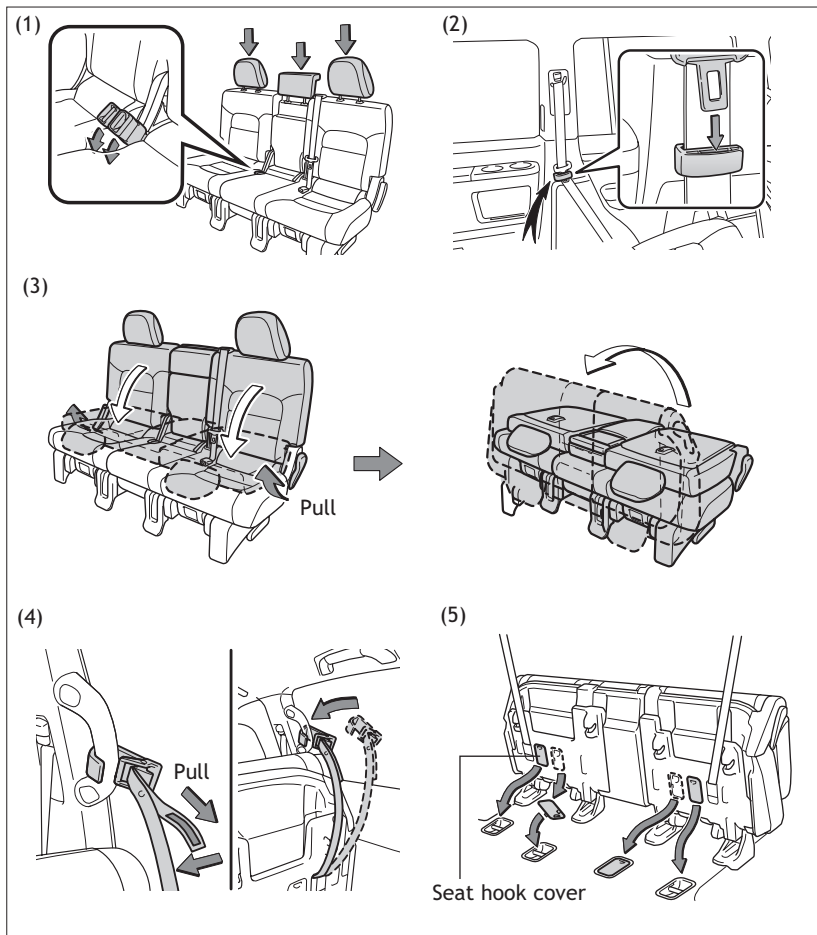
- ① Seatback angle
- ② Seat position

Refer to the *Owner's Manual* for more details.

Seats-Head restraints

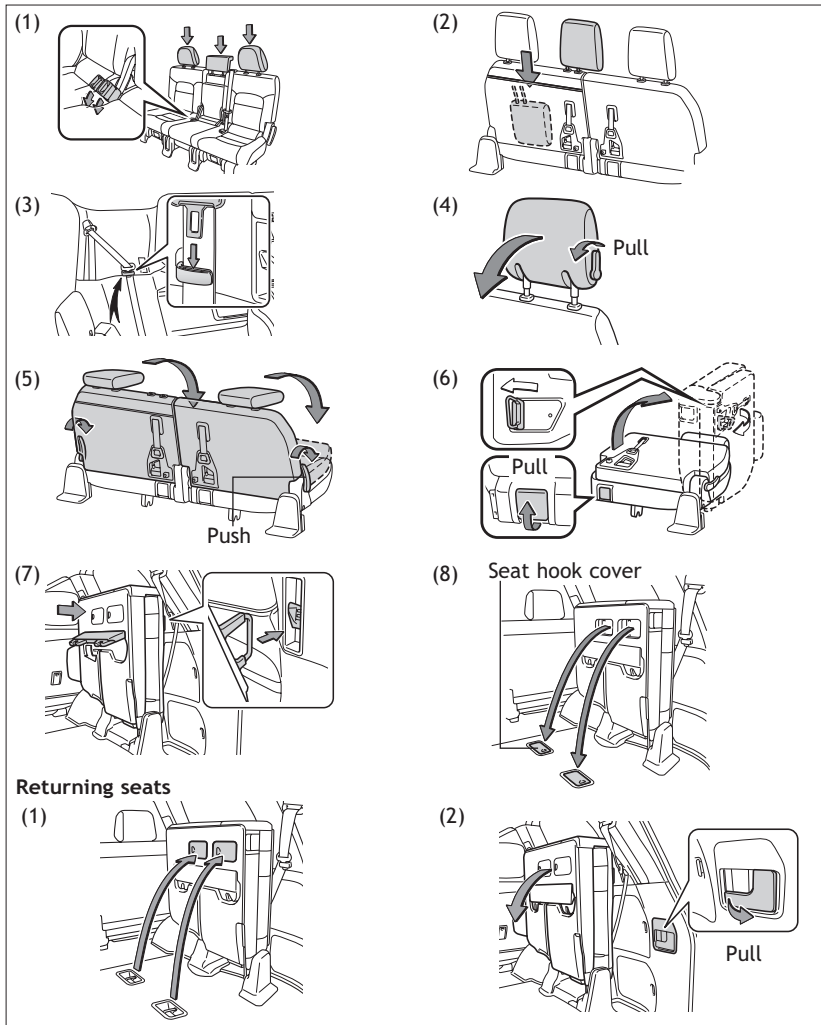


Seats-Tumbling second row seats



- (1) Stow the seat belt buckles and lower the head restraints.
- (2) Hook the seat belt to the seat belt hangers.
- (3) Fold down the seatback and swing the whole seat up and forward.
- (4) Hook the holding strap to the assist grip and secure the seat.
- (5) Install the seat hook covers on the seat hooks.

Seats-Tumbling third row seats



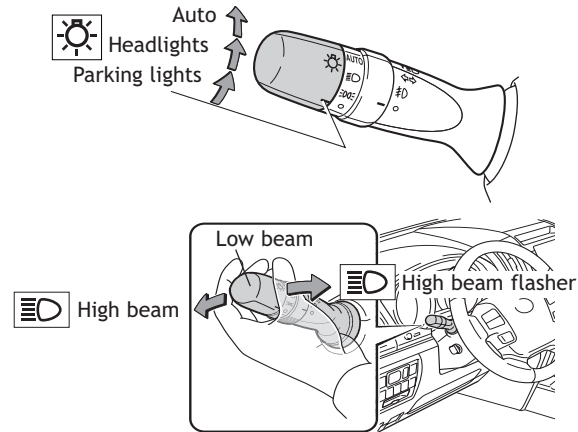
- (1) Stow the seat belt buckles.
- (2) Stow the center head restraint.
- (3) Hook the seat belt to the seat belt hangers.
- (4) Fold down the outer head restraints.
- (5) Fold the seats.
- (6) Lift the seats sideward.
- (7) Lock the seats.
- (8) Install the seat hook covers on the seat hooks.

Returning seats

- (1) Install the seat hook covers into the back of the seat cushions.
- (2) Lower the seats to their original position.

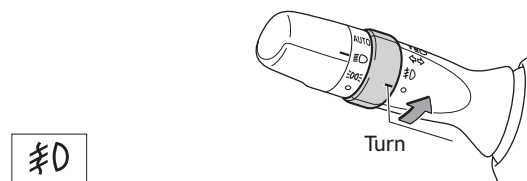
Lights & turn signals

Headlights



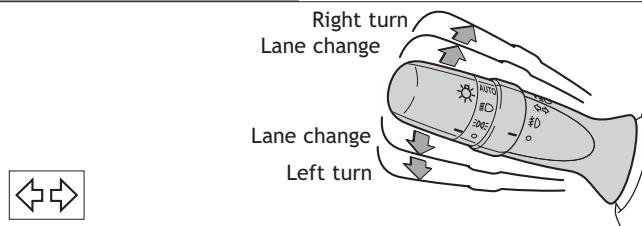
- Daytime Running Light system (DRL) Automatically turns on the turn signal lights at a reduced intensity.
- Automatic light cut off system Automatically turns lights off after a delay of 30 seconds.

Front fog lights



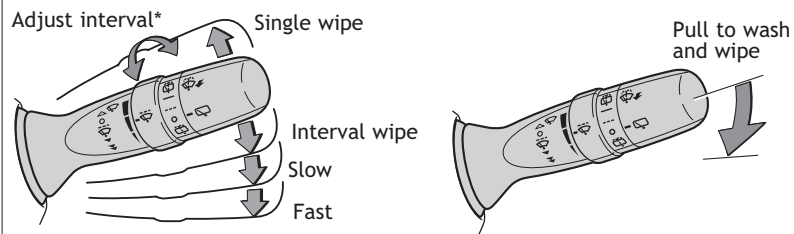
Front fog lights come on only when the headlights are on low beam.

Turn signals



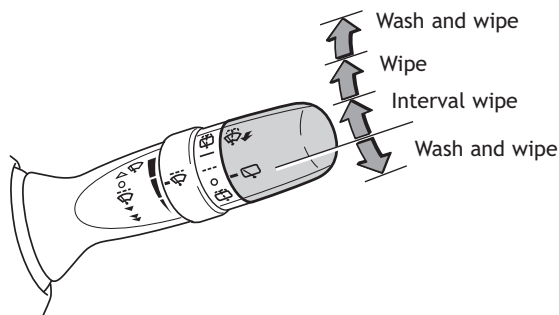
Windshield wipers & washers

Front

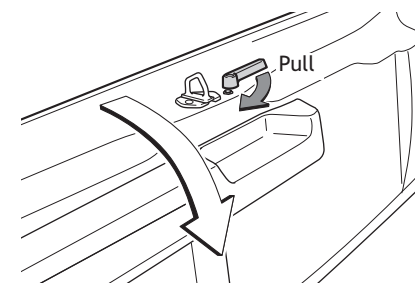
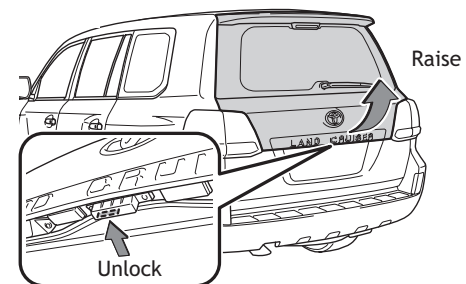


* Intermittent windshield wiper interval adjustment
Rotate to increase/decrease wipe frequency.

Rear



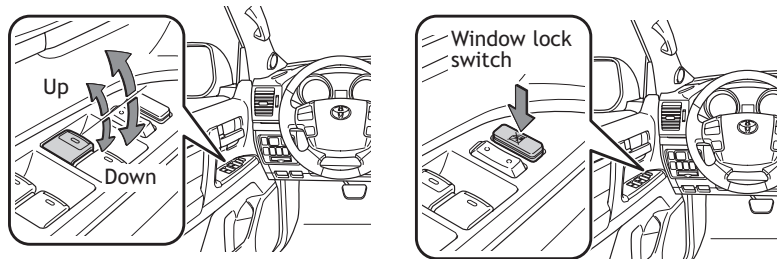
Back door



The back door can be locked and unlocked using the entry function, wireless remote control or door lock switch.

Windows-Power

Driver side



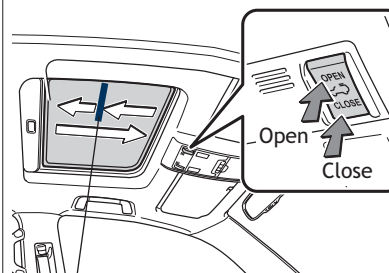
Automatic operation Push the switch completely down or pull it completely up and release to fully open or close. To stop window midway, lightly push the switch in the opposite direction.

Window lock switch Deactivates all passenger windows. Driver's window remains operable.

Moonroof

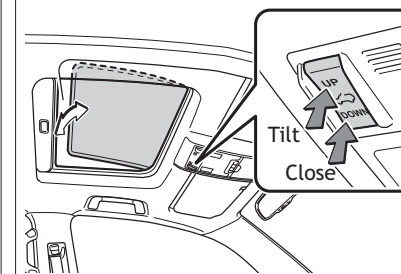
Sliding operation

Push once to open partway;
again to open completely.



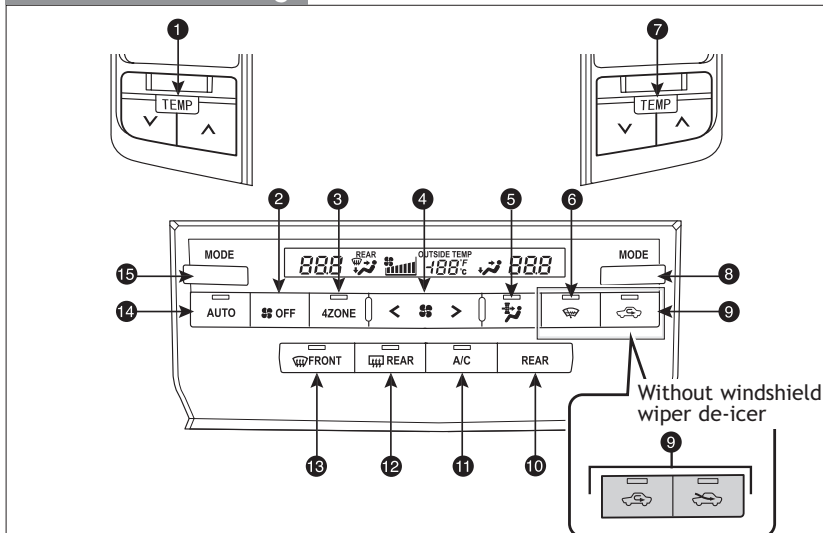
Recommended driving position to minimize wind noise.

Tilting operation



Air Conditioning/Heating

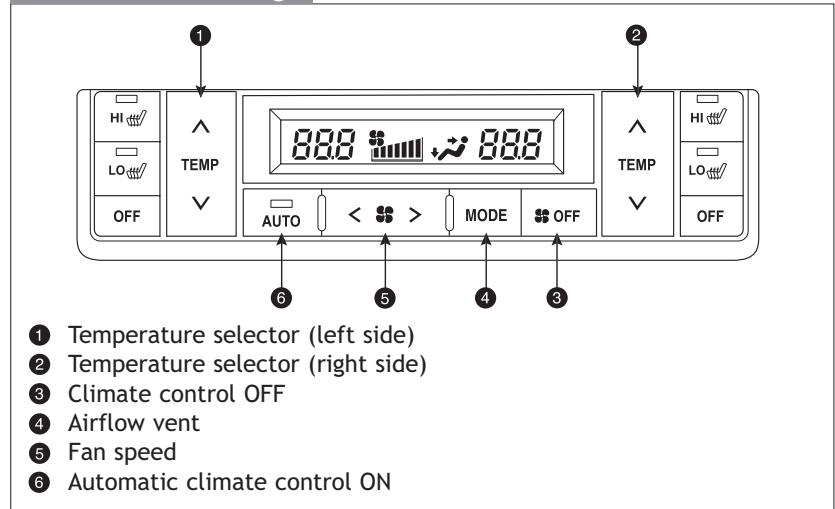
Front Air Conditioning



- 1 Temperature selector (driver side/rear left passenger side*)
- 2 Climate control OFF
- 3 "4ZONE" button
Indicator ON: Separate temperature settings for driver, front passenger and rear passengers.
Indicator OFF: Synchronize temperature settings for driver and all passengers.
- 4 Fan speed (front/rear*)
- 5 Micro dust and pollen removal mode ON/OFF
- 6 Windshield wiper de-icer
- 7 Temperature selector (front and rear right passenger side*)
- 8 Airflow vent (front passenger side/rear passenger side*)
- 9 Fresh or recirculated cabin air
- 10 Rear Air Conditioning operation mode ON/OFF
- 11 Air Conditioning ON/OFF
- 12 Outside rearview mirror/Rear window defogger
- 13 Windshield airflow/defogger (fresh air only)
- 14 Automatic climate control ON
 Adjusting the temperature setting will cause the airflow vents, air intake and fan to adjust automatically.
- 15 Airflow vent (driver side/rear passenger side*)
 In "🌀" mode, use fresh air ("🌀" indicator ON or "🌀" indicator OFF) to reduce window fogging.

* To change the rear seat setting, press the "REAR" button.

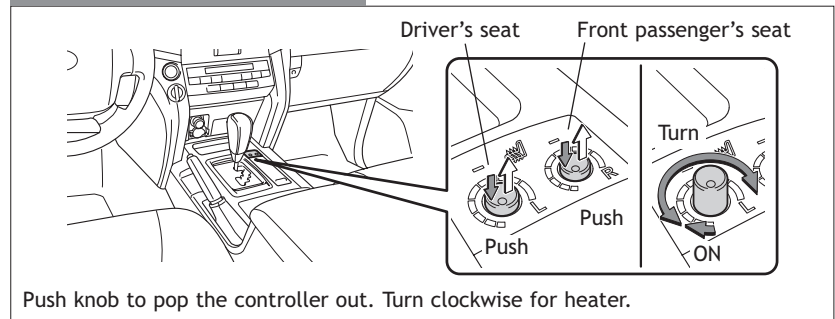
Rear Air Conditioning



- 1 Temperature selector (left side)
- 2 Temperature selector (right side)
- 3 Climate control OFF
- 4 Airflow vent
- 5 Fan speed
- 6 Automatic climate control ON

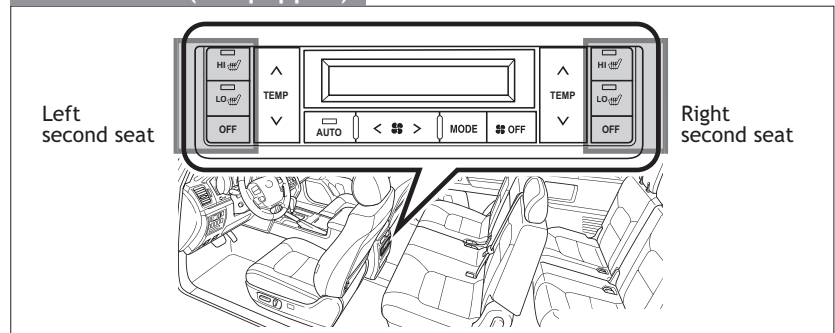
Seat heaters

Front seats

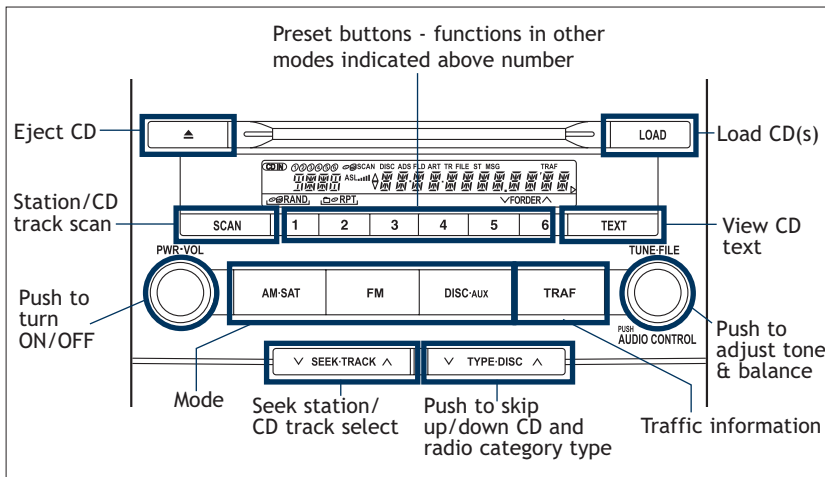


Push knob to pop the controller out. Turn clockwise for heater.

Second seats (if equipped)



Audio



CD PLAYER

To scan tracks on a disc Push and hold “SCAN.” Push again to hold selection.

CD changer

- To load one disc Push “LOAD” and insert one disc.
- To load multiple discs Push and hold “LOAD” until you hear a beep. Insert one disc. Shutter will close and then re-open for next disc.

To select a file (MP3/WMA only) Turn “TUNE·FILE.”

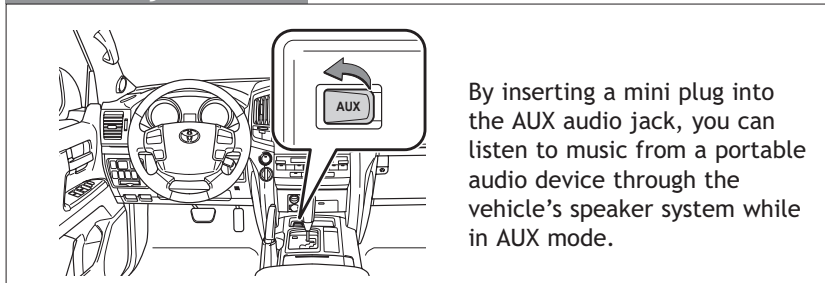
To select a folder (MP3/WMA only) Push the preset button “5” or “6.”

RADIO

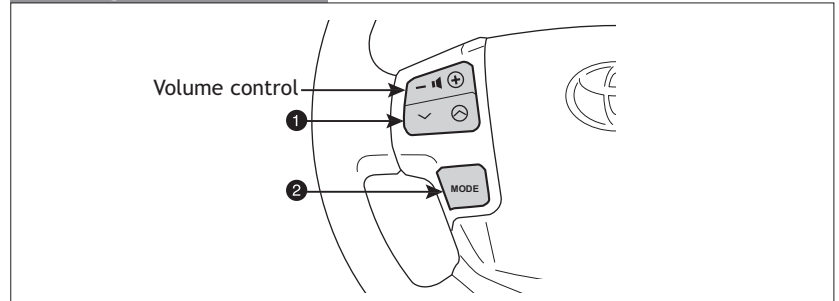
To preset stations Tune in the desired station and hold down a preset button (1-6) until you hear a beep. Push desired preset button (1-6) to select.

To scan stations Push and hold “SCAN” to scan preset stations. Push again to hold selection.

AUX audio jack

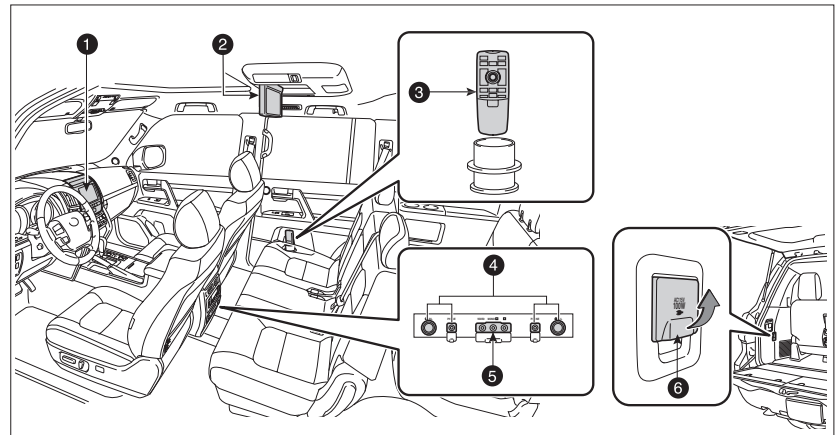


Steering wheel switches



- 1 “V ▲”
-In radio mode Push to select a preset station; push and hold to seek the next strong station.
-In CD mode Push to skip up or down to next/previous track.
- 2 “MODE”
Push to turn audio ON and to select an audio mode. Push and hold to turn audio system OFF.

Rear seat entertainment system (if equipped)

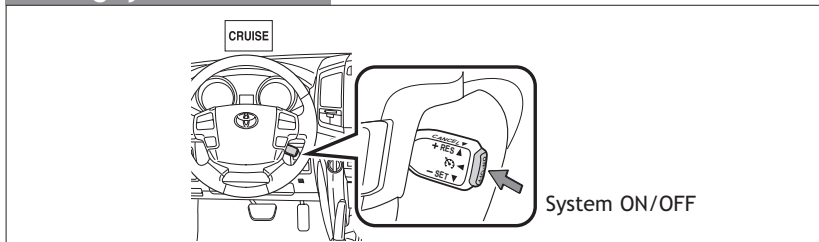


- 1 Front audio system (DVD player)
- 2 DVD screen
- 3 Remote control
- 4 Headphone volume control and headphone jacks
- 5 A/V input adapter
- 6 115V AC Power outlet

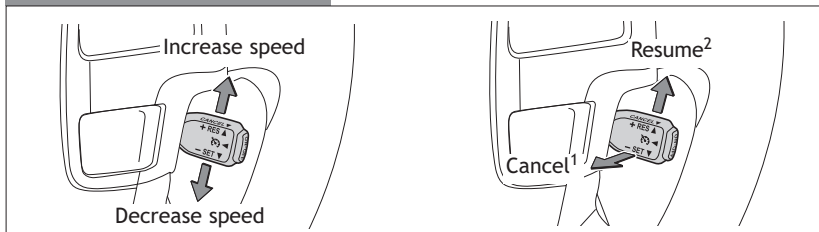
For details, refer to the “Navigation System Owner’s Manual.”

Cruise control

Turning system ON/OFF



Functions



- ¹ The set speed may also be cancelled by depressing the brake pedal.
- ² The set speed may be resumed once vehicle speed exceeds 25 mph.

Crawl control

A diagram of the crawl control speed selection switch. It features a dial with 'Lo', 'Med', and 'Hi' settings. A callout box shows 'Speed : Lo Med Hi' with 'Med' highlighted. Below the dial is an 'ON/OFF Push' button. Icons for a truck and a rocky terrain are also shown.

Low mode: Effective when traveling on rocks and pebbles.

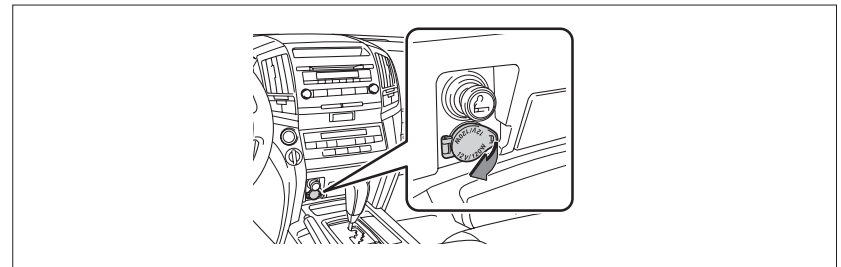
Medium mode: Effective when traveling on snow or descending a rocky slope.

High mode: Effective when ascending a rocky slope, or traveling on snow, dirt, mud, sand, gravel, grass, etc.

Crawl control allows travel on extremely rough off-road surfaces at a fixed low speed without pressing the accelerator or brake pedal.

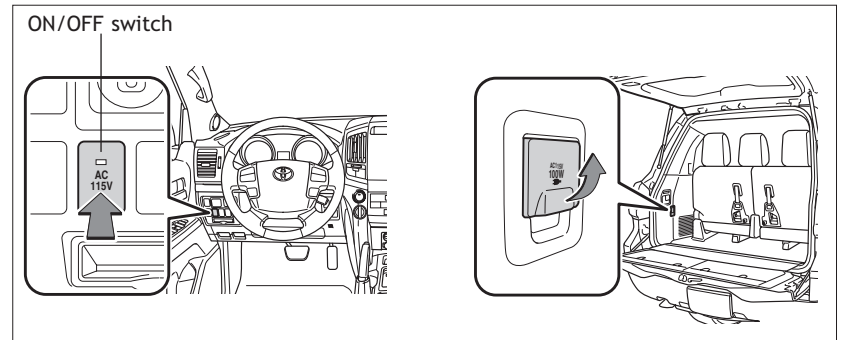
Refer to the *Owner's Manual* for more details.

Power outlets-12V DC



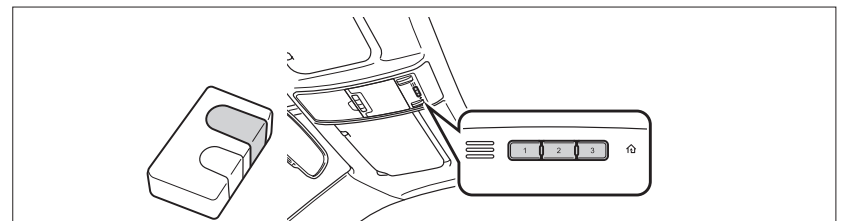
The "ENGINE START STOP" switch must be in ACCESSORY or IGNITION ON mode to be used.

Power outlets-115V AC



The "ENGINE START STOP" switch must be in IGNITION ON mode to be used.

Garage door opener (HomeLink®)*

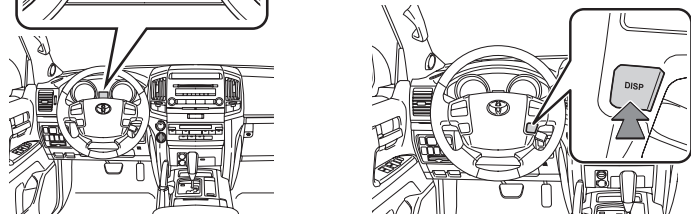
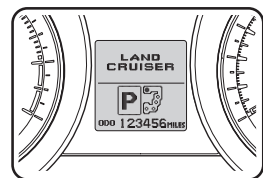


Garage door openers manufactured under license from HomeLink® can be programmed to operate garage doors, estate gates, security lighting, etc.

Refer to "Garage door opener," Section 3-6 in the *Owner's Manual* for more details.

* HomeLink® is a registered trademark of Johnson Controls, Inc.

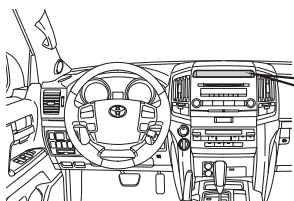
Multi-information display



Push “DISP” to change information in the following:

- (1) Current gas mileage
- (2) Average gas mileage after refueling
- (3) Miles left on remaining fuel
- (4) Average vehicle speed
- (5) Running distance from engine start
- (6) Tire inflation pressure (if equipped)

Clock



H-Hour set
 M-Minute set
 :00-round off minutes

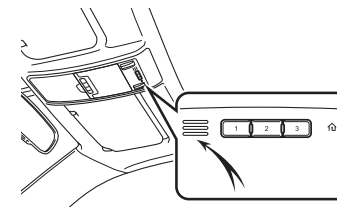
Refer to the *Owner's Manual* for details on adjusting time.

Telephone controls (Bluetooth® (if equipped))

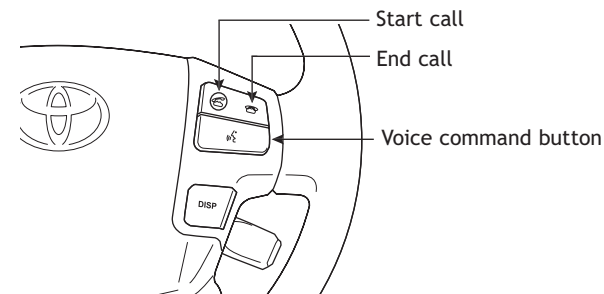
Display



Microphone



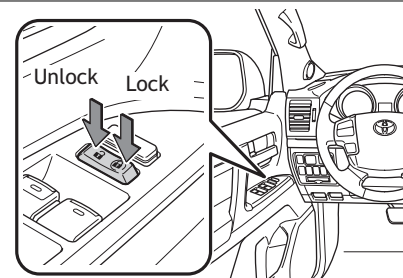
Steering wheel telephone switches



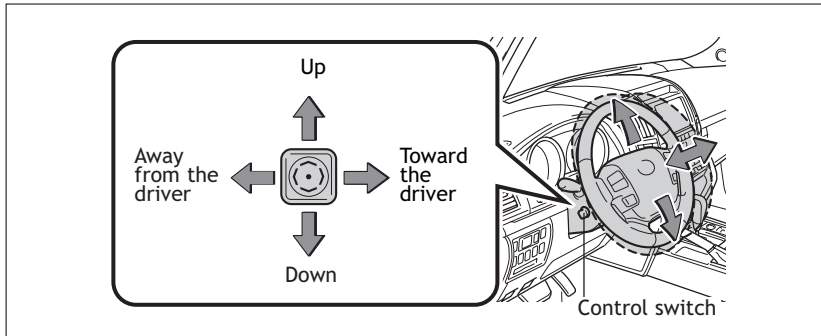
Bluetooth® technology allows dialing or receipt of calls without taking hands from the steering wheel or using a cable to connect the telephone and the system.

Refer to “Hands-free system (for cellular phone),” Section 5 in the *Navigation System Owner's Manual* for more details.

Door locks

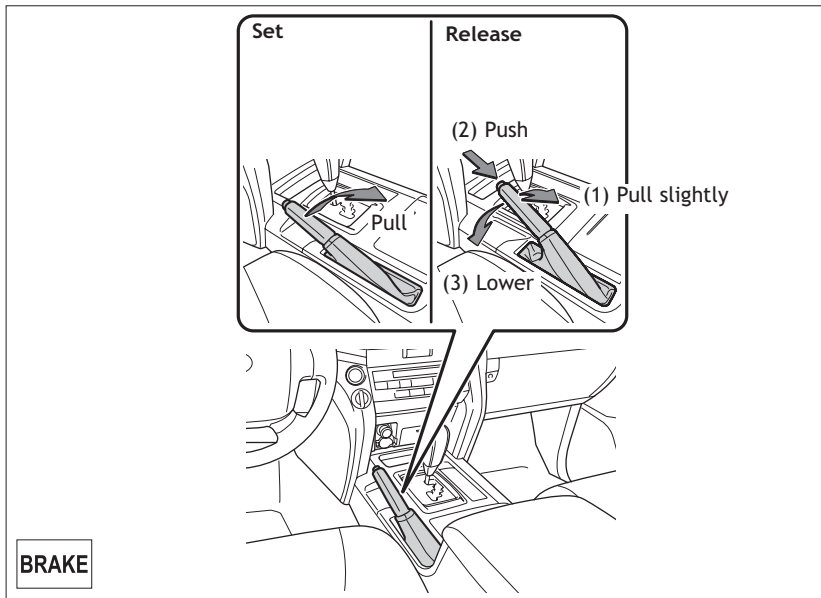


Tilt and telescopic steering wheel

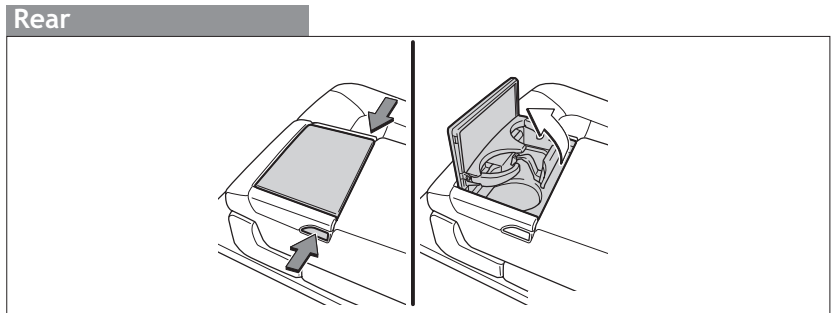
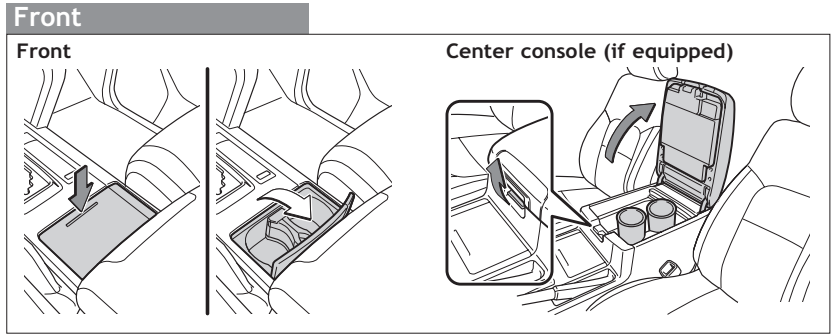


Note: Do not attempt to adjust while the vehicle is in motion.

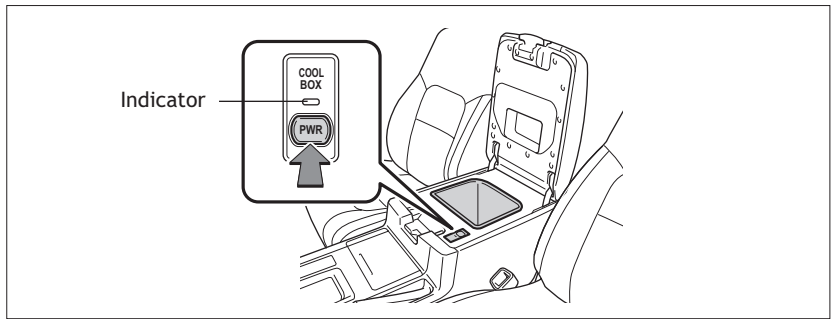
Parking brake



Cup holders



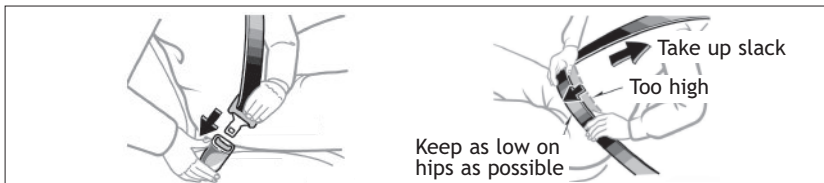
Cool box (if equipped)



Push "PWR" button to turn cool box ON; indicator light will illuminate.

SAFETY AND EMERGENCY FEATURES

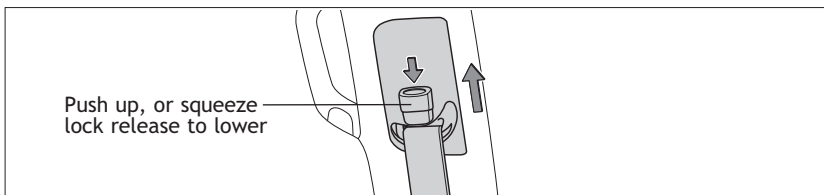
Seat belts



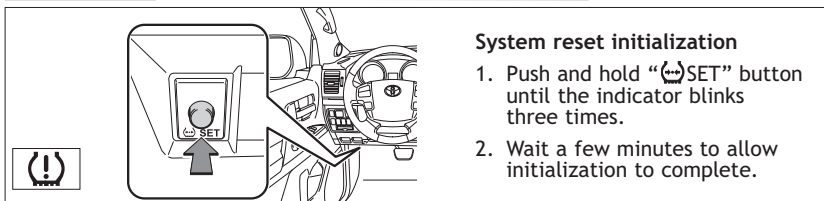
If belt is fully extended, then retracted even slightly, it cannot be re-extended beyond that point, unless fully retracted again. This feature is used to help hold child restraint systems securely.

To find more information about seat belts, and how to install a child restraint system, refer to the *Owner's Manual*.

Seat belts-Shoulder belt anchor



Tire Pressure Monitoring (warning) System



System reset initialization

1. Push and hold “SET” button until the indicator blinks three times.
2. Wait a few minutes to allow initialization to complete.

After adjusting tire pressures, or after tires have been rotated or replaced, turn the ignition switch to “ON” and press and hold the “SET” button until indicator blinks three times. Let the vehicle sit for a few minutes to allow initialization to complete.

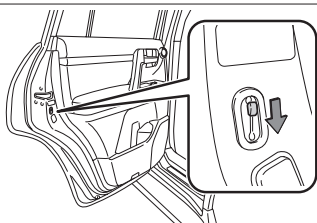
Refer to the load label on the door jamb or the *Owner's Manual* for tire inflation specifications.

If the tire pressure indicator flashes for more than 60 seconds and then remains on, take the vehicle to your local Toyota dealer.

Note: The warning light may come on due to temperature changes or changes in tire pressure from natural air leakage. If the system has not been initialized recently, setting the tire pressures to factory specifications should turn off the light.

Doors-Child safety locks

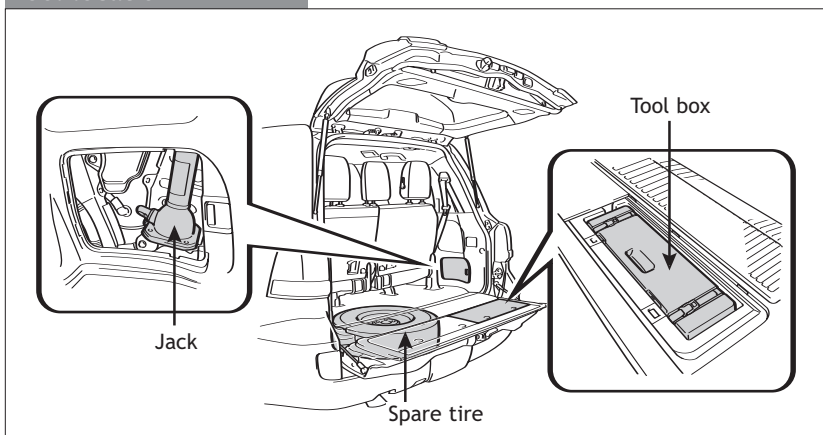
Rear door



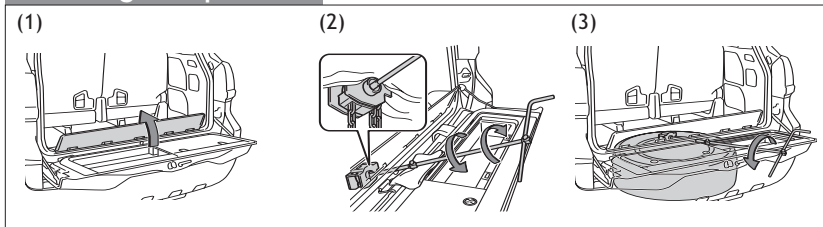
Moving the lever to “LOCK” will allow the door to be opened only from the outside.

Spare tire & tools

Tool location



Removing the spare tire



- (1) Remove the cover.
- (2) Insert the jack handle extension into the lowering screw.
- (3) Lower the spare tire completely to the ground.

Refer to the *Owner's Manual* for tire changing and jack positioning procedures.



Customer Experience Center
1-800-331-4331

MN 00505-QRG09-LC
Printed in the USA 7/08

Download from www.somanuals.com. All Manuals Search And Download.

Free Manuals Download Website

<http://myh66.com>

<http://usermanuals.us>

<http://www.somanuals.com>

<http://www.4manuals.cc>

<http://www.manual-lib.com>

<http://www.404manual.com>

<http://www.luxmanual.com>

<http://aubethermostatmanual.com>

Golf course search by state

<http://golfingnear.com>

Email search by domain

<http://emailbydomain.com>

Auto manuals search

<http://auto.somanuals.com>

TV manuals search

<http://tv.somanuals.com>