



**TRANE®**

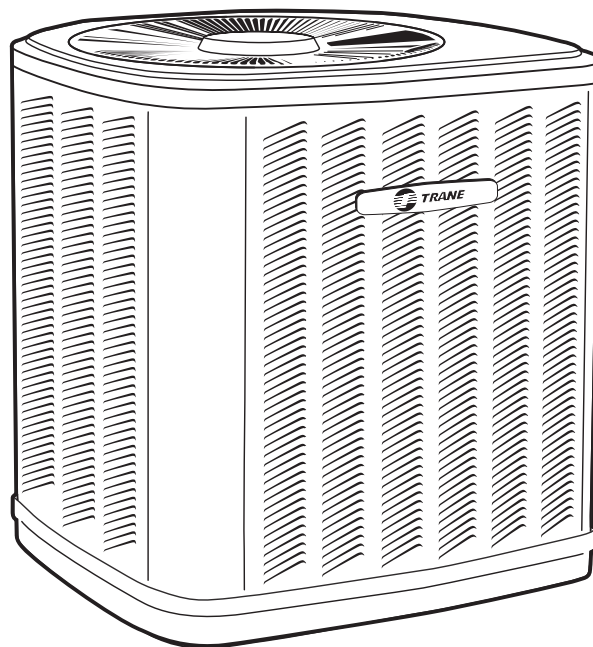
**SS-PRC023-EN**

# Split System Cooling Product & Performance Data

---

**Three Phase  
2TTA3030-060A3/4**

**2½ – 5 Tons**



---

**PUB. NO. 22-1770-01-1205 (EN)**



# Features and Benefits

---

- **Climatuff**<sup>®</sup> compressor
- All aluminum **Spine Fin**<sup>™</sup> coil
- **DuraTuff**<sup>™</sup> base, fast complete drain, weather proof
- **WeatherGuard**<sup>™</sup> fasteners
- Full length control cover
- Glossy corrosion resistant finish
- Internal compressor high/low pressure and temperature protection
- Low pressure switch
- Liquid line filter-drier
- Polyslate gray cabinet
- **Quick-Sess**<sup>™</sup> cabinet, service access and refrigerant connections with full coil protection
- Easy top & fan removal
- R-22 refrigerant
- **5 year limited warranty on compressor, coil and parts (Residential use only)**
- **5 year limited warranty on compressor, coil, and 1 year on parts (Commercial use only)**
- **Extended warranties available**
- 100% line run test
- Low ambient cooling to 55°F as shipped
- Low ambient cooling to 30°F with EDC accessory AY28X079
- Low ambient cooling to 0°F  
See Application Guide XB-APG04-EN

# Contents

---

## Features and Benefits

**2**

## General Data

**4**

Product Specifications

4

A-weighted Sound Power Level [dB(A)]

4

Accessory Description and Usage

5

ARI Standard Capacity Rating Conditions

5

## Model Nomenclature

**7**

## System Ratings

**8**

2TTA3030A3/4

8

2TTA3036A3/4

10

2TTA3042A3/4

13

2TTA3048A3/4

15

2TTA3060A3/4

17

## Performance Data Cooling

**18**

2TTA3030A3/4

18

2TTA3036A3/4

24

2TTA3042A3/4

31

2TTA3048A3/4

36

2TTA3060A3/4

41

## Electrical Data

**43**

## Dimensions

**46**

## Mechanical Specification Options

**47**



# General Data

## Product Specifications

Model No. ①	2TTA3030A3000A	2TTA3030A4000A	2TTA3036A3000A	2TTA3036A4000A
Electrical Data V/Ph/Hz ②	200/230/3/60	460/3/60	200/230/3/60	460/3/60
Min Cir Ampacity	9	5	13	7
Max Fuse Size (Amps)	15	15	20	15
Compressor	CLIMATUFF®	CLIMATUFF®	CLIMATUFF® - SCROLL	CLIMATUFF® - SCROLL
RL Amps - LR Amps	6.8 - 54.9	3.4 - 28	9.6 - 63	4.9 - 31
Outdoor Fan FL Amps	0.7	0.4	1.4	0.7
Fan HP	1/8	1/8	1/6	1/6
Fan Dia (inches)	23.0	23.0	23.0	23.0
Coil	Spine Fin™	Spine Fin™	Spine Fin™	Spine Fin™
Refrigerant R-22	5/08-LB/OZ	5/08-LB/OZ	6/05-LB/OZ	6/05-LB/OZ
Line Size - (in.) O.D. Gas ③	3/4	3/4	7/8	7/8
Line Size - (in.) O.D. Liquid ③	5/16	5/16	3/8	3/8
Dimensions H x W x D (Crated)	38 x 30.1 x 33	38 x 30.1 x 33	38 x 30.1 x 33	38 x 30.1 x 33
Weight - Shipping	225	225	216	219
Weight - Net	197	197	189	192
Start Components	NO	NO	NO	NO
Sound Enclosure	NO	NO	NO	NO
Compressor Sump Heat	YES	YES	YES	YES
<b>Optional Accessories: ④</b>				
Anti-short Cycle Timer	TAYASCT501A	TAYASCT501A	TAYASCT501A	TAYASCT501A
Evaporator Defrost Control A/C	AY28X079	AY28X079	AY28X079	AY28X079
Rubber Isolator Kit	BAYISLT101	BAYISLT101	BAYISLT101	BAYISLT101
Crankcase Heater Kit				
Extreme Condition Mounting Kit	BAYECMT001	BAYECMT001	BAYECMT001	BAYECMT001
Seacoast Kit	BAYSEAC001	BAYSEAC001	BAYSEAC001	BAYSEAC001
Refrigerant Lineset ⑤	TAYREFLN2*	TAYREFLN2*	TAYREFLN3*	TAYREFLN3*

① Certified in accordance with the Unitary Air-Conditioner equipment certification program which is based on ARI Standard 210/240.

② Calculated in accordance with N.E.C. Use only HACR circuit breakers or fuses.

③ Standard line lengths - 60'. Standard lift - 60' Suction and Liquid line.

For Greater lengths and lifts refer to refrigerant piping software Pub# 32-3312-01. (\*denotes latest revision)

④ For accessory description and usage, see page 5.

⑤ \* = 15, 20, 25, 30, 40 and 50 foot lineset available.

## A-weighted Sound Power Level [dB(A)]

MODEL	SOUND POWER LEVEL [dB(A)]	A-WEIGHTED FULL OCTAVE SOUND POWER LEVEL dB - [dB(A)]							
		63	125	250	500	1000	2000	4000	8000
2TTA3030A	78	45.8	56.9	61.7	68.5	71.4	70.3	61.2	54.2
2TTA3036A	76	44.8	60.5	61.4	69.2	72.1	65.2	57.3	51.3
2TTA3042A	79	46.0	60.6	70.4	72.9	72.4	69.5	60.9	51.2
2TTA3048A	79	49.3	57.7	71.0	72.2	72.7	70.5	63.7	53.7
2TTA3060A3	79	53.6	57.5	63.6	73.3	73.1	71.3	63.1	55.9

Note: Tested in accordance with ARI Standard 270.95. (Not listed with ARI)

# General Data

## Product Specifications

Model No. ①	2TTA3042A3000B	2TTA3042A4000B	2TTA3048A3000A	2TTA3048A4000A
Electrical Data V/Ph/Hz ②	200/230/3/60	460/3/60	200/230/3/60	460/3/60
Min Cir Ampacity	13	7	16	9
Max Fuse Size (Amps)	20	15	25	15
Compressor	CLIMATUFF®	CLIMATUFF®	CLIMATUFF®	CLIMATUFF®
RL Amps - LR Amps	9.6 - 86.6	5.1 - 43.1	11.6 - 100.1	6.4 - 49.8
Outdoor Fan FL Amps	1.4	0.7	1.4	0.7
Fan HP	1/6	1/6	1/6	1/6
Fan Dia (inches)	27.6	27.6	27.6	27.6
Coil	Spine Fin™	Spine Fin™	Spine Fin™	Spine Fin™
Refrigerant R-22	6/13-LB/OZ	6/13-LB/OZ	8/14-LB/OZ	8/14-LB/OZ
Line Size - (in.) O.D. Gas ③	7/8	7/8	1-1/8	1-1/8
Line Size - (in.) O.D. Liquid ③	3/8	3/8	3/8	3/8
Dimensions H x W x D (Crated)	38.4 x 35.1 x 38.7	38.4 x 35.1 x 38.7	46.4 x 35.1 x 38.7	46.4 x 35.1 x 38.7
Weight - Shipping	245	246	303	305
Weight - Net	211	213	267	269
Start Components	NO	NO	NO	NO
Sound Enclosure	NO	NO	NO	NO
Compressor Sump Heat	YES	YES	YES	YES
<b>Optional Accessories: ④</b>				
Anti-short Cycle Timer	TAYASCT501A	TAYASCT501A	TAYASCT501A	TAYASCT501A
Evaporator Defrost Control A/C	AY28X079	AY28X079	AY28X079	AY28X079
Rubber Isolator Kit	BAYISLT101	BAYISLT101	BAYISLT101	BAYISLT101
Crankcase Heater Kit	BAYCCHT300	BAYCCHT300		
Extreme Condition Mounting Kit	BAYECMT001	BAYECMT001	BAYECMT001	BAYECMT001
Seacoast Kit	BAYSEAC001	BAYSEAC001	BAYSEAC001	BAYSEAC001
Refrigerant Lineset ⑤	TAYREFLN3*	TAYREFLN3*	TAYREFLN4*	TAYREFLN4*

### Accessory Description and Usage

**Anti-Short Cycle Timer** — Solid state timing device that prevents compressor recycling until 5 minutes have elapsed after satisfying call or power interruptions. Use in area with questionable power delivery, commercial applications, long lineset, etc.

**Evaporator Defrost Control** — SPST Temperature actuated switch that cycles the condenser off as indoor coil reaches freeze-up conditions. Used for low ambient cooling to 30°F with TXV.

**Rubber Isolators** — 5 large rubber donuts to isolate condensing unit from transmitting energy into mounting frame or pad. Use on any application where sound transmission needs to be minimized.

**Hard Start kit** — Start capacitor and relay to assist compressor motor startup. Use in areas with marginal power supply, on long linesets, low ambient conditions, etc.

**Extreme Condition Mount Kit** — Bracket kits to securely mount condensing unit to a frame or pad without removing any panels. Use in areas with high winds, or on commercial roof tops, etc.

### ARI Standard Capacity Rating Conditions

#### ARI STANDARD 210/240 RATING CONDITIONS —

- (A) Cooling 80°F DB, 67°F WB air entering indoor coil, 95°F DB air entering outdoor coil.
- (B) High Temperature Heating 47°F DB, 43°F WB air entering outdoor coil, 70°F DB air entering indoor coil.
- (C) Low Temperature Heating 17°F DB, 15°F WB air entering outdoor coil, 70°F DB air entering indoor coil.
- (D) Rated indoor airflow for heating is the same as for cooling.

**ARI STANDARD 270 RATING CONDITIONS** — (Noise rating numbers are determined with the unit in cooling operation.) Standard Noise Rating number is at 95°F outdoor air.



SPLIT SYSTEM





# General Data

## Product Specifications

Model No. ①	2TTA3060A3000A	2TTA3060A4000A
Electrical Data V/Ph/Hz ②	200/230/3/60	460/3/60
Min Cir Ampacity	23	10
Max Fuse Size (Amps)	40	15
Compressor	CLIMATUFF® - SCROLL	CLIMATUFF® - SCROLL
RL Amps - LR Amps	17.3 - 123	7.7 - 49.5
Outdoor Fan FL Amps	1.2	0.6
Fan HP	1/5	1/5
Fan Dia (inches)	27.6	27.6
Coil	Spine Fin™	Spine Fin™
Refrigerant R-22	8/11-LB/OZ	8/11-LB/OZ
Line Size - (in.) O.D. Gas ③	1-1/8	1-1/8
Line Size - (in.) O.D. Liquid ③	3/8	3/8
Dimensions H x W x D (Crated)	46.4 x 35.1 x 38.7	46.4 x 35.1 x 38.7
Weight - Shipping	292	293
Weight - Net	256	257
Start Components	NO	NO
Sound Enclosure	NO	NO
Compressor Sump Heat	YES	YES
<b>Optional Accessories:</b> ④		
Anti-short Cycle Timer	TAYASCT501A	TAYASCT501A
Evaporator Defrost Control A/C	AY28X079	AY28X079
Rubber Isolator Kit	BAYISLT101	BAYISLT101
Crankcase Heater Kit		
Extreme Condition Mounting Kit	BAYECMT001	BAYECMT001
Seacoast Kit	BAYSEAC001	BAYSEAC001
Refrigerant Lineset ⑤	TAYREFLN4*	TAYREFLN4*

① Certified in accordance with the Unitary Air-Conditioner equipment certification program which is based on ARI Standard 210/240.

② Calculated in accordance with N.E.C. Use only HACR circuit breakers or fuses.

③ Standard line lengths - 60'. Standard lift - 60' Suction and Liquid line.

For Greater lengths and lifts refer to refrigerant piping software Pub# 32-3312-0†. (†denotes latest revision)

④ For accessory description and usage, see page 5.

⑤ \* = 15, 20, 25, 30, 40 and 50 foot lineset available.

# Model Nomenclature

## Outdoor Units

2 T T A 3 0 3 6 A 3 0 0 0 A A

- Refrigerant Type**
  - 2 = R-22
  - 4 = R-410A
- TRANE**
- Product Type**
  - W = Split Heat Pump
  - T = Split Cooling
- Product Family**
  - Z = Leadership – Two Stage
  - X = Leadership
  - R = Replacement/Retail
  - B = Basic
  - A = Light Commercial
- Family SEER**
  - 0 = 10    3 = 13    6 = 16
  - 1 = 11    4 = 14    8 = 18
  - 2 = 12    5 = 15    9 = 19
- Split System Connections 1-6 Tons**
  - 0 = Brazed
- Nominal Capacity in 000s of BTUs**
- Major Design Modifications**
- Power Supply**
  - 1 = 200-230/1/60 or 208-230/1/60
  - 3 = 200-230/3/60
  - 4 = 460/3/60
- Secondary Function**
- Minor Design Modifications**
- Unit Parts Identifier**

## High Efficiency Furnaces

T U D 1 B 0 8 0 A 9 H 3 1 A A

- Furnace Configuration**
  - TU = Upflow / Horizontal
  - TD = Downflow / Horizontal
- Type**
  - D = 80% Premium
  - X = 90% Premium
- Number of Heating Stages**
  - 1 = Single Stage
  - 2 = Two Stage
  - 3 = Three Stage
- Cabinet Width**
  - A = 14.5" Cabinet Width
  - B = 17.5" Cabinet Width
  - C = 21.0" Cabinet Width
  - D = 24.5" Cabinet Width
- Heating Input**
  - 080 = 80,000 BTUH
- Major Design Change**
- Power Supply / Fuel**
  - 9 = 115 Volts / Natural Gas
  - F = 115 Volts / Natural Gas with Integrated iFD Filter
- Airflow Capacity for Cooling**
  - 36 = 3 Ton Standard PSC Motor
  - H3 = 3 Ton High Efficiency Motor
  - V3 = 3 Ton Variable Speed Motor
- Draft Inducer Speeds**
  - 1 = Single Speed
  - 2 = Two Speed
  - V = Variable Speed
- Minor Design Change**
- Service Digit – Not Orderable**

## Air Handlers – Residential

4 T E E 3 F 3 6 A 1 0 0 0 A A

- Refrigerant Type**
  - 4 = R-410A
  - 2 = R-22
- Application**
  - TE = Fully Convertible
  - TG = Semi Convertible
  - TF = Front Return
  - TV = Vertical
- Product Family**
  - E = Leadership – Variable Speed
  - P = Leadership
  - C = Replacement/Retail
  - B = Basic
- Flow Control**
  - 3 = Nonbleed TXV
  - 4 = FCCV\*
- Feature Identifier**
  - 0 = Standard Unit
  - F = Air-Tite™
- Nominal Capacity in 000s of BTUs**
- Major Design Modifications**
- Power Supply**
  - 1 = Single Phase
- Electrical Connection**
  - 0 = Pig Tails
  - B = Circuit Breaker
  - D = Pull Disconnect
- Future Option – Factory Installed Heater Nominal KW Value**
- Minor Design Modifications**
- Unit Parts Identifier**

NOTE: There will be a phase-in of new model numbers for new air handlers over next 2 years.

\*Shipped with R-22 FCCV

## Heat Pump / Cooling Coils

2 T X C B 0 3 6 A C 3 H C A A

- Refrigerant Type**
  - 2 = R-22    4 = R-410A
- Product Family**
  - T = Premium (Heat Pump or Convertible Coil)
  - C = Standard (Cooling Only)
- Coil Design**
  - X = Direct Expansion Evaporator Coil
- Product Family**
  - C = Cased A Coil
  - A = Uncased A Coil
  - F = Cased Horizontal Flat Coil
- Coil Width (Cased / Uncased)**
  - A = 14.5" / 13.3"    C = 21.0" / 19.8"    H = 10.5"
  - B = 17.5" / 16.3"    D = 24.5" / 23.3"
- Refrigerant Line Coupling**
  - 0 = Brazed
- Nominal Capacity in 000s of BTUs**
- Major Design Change**
- Efficiency**
  - C = Standard    S = Hi Efficiency
- Refrigerant Control**
  - 3 = TXV – Non-Bleed
- Coil Circuitry**
  - H = Heat Pump
  - C = Cooling Only
- Airflow Configuration**
  - A = Upflow Only
  - U = Upflow / Downflow
  - H = Horizontal Only
  - C = Convertible – Upflow, Downflow, Left Airflow
  - M = Convertible – Upflow, Downflow, Left or Right Airflow
- Minor Design Change**
- Unit Parts Identifier**



# System Ratings

## 2TTA3030A3/4

### CONDENSING UNIT WITH COOLING COILS

COIL	CFM	TOTAL CAPACITY	SENSIBLE CAPACITY	KW	SEER	EER
2CXAB031AC3	1000	27400	21000	2.42	13.00	11.3
2CXAB036AC3	1000	27400	20400	2.42	13.00	11.3
2CXAB042AC3	1000	28000	21200	2.43	13.25	11.5
2CXAC037AC3	1000	28000	21400	2.43	13.25	11.5
2CXCB031AC3	1000	27400	21000	2.42	13.00	11.3
2CXCB036AC3	1000	27400	20400	2.42	13.00	11.3
2CXCB042AC3	1000	28000	21200	2.43	13.25	11.5
2CXCC037AC3	1000	28000	21400	2.43	13.25	11.5
2TXCB025AS3	900	25400	18400	2.35	12.50	10.8
2TXCB031AC3[T]	1000	27000	19700	2.39	13.25	11.3
2TXCB031AS3	1000	28000	21600	2.43	13.25	11.5
2TXCB036AC3	1000	27400	20400	2.42	13.00	11.3
2TXCB036AS3	1000	28400	21600	2.45	13.50	11.6
2TXCB042AC3	1000	28000	21200	2.43	13.25	11.5
2TXCC037AC3	1000	28000	21400	2.43	13.25	11.5
2TXCC037AS3	1000	28800	22400	2.46	13.50	11.7
2TXFH033AS3	1000	27000	21000	2.41	13.00	11.2
2TXFH041AS3	1000	28000	21400	2.43	13.25	11.5
TXA030C4+TAYTXV-3	1000	26800	20200	2.41	12.75	11.1
TXA031C4+TAYTXV-3	1000	27200	20800	2.43	13.00	11.2
TXA035C4+TAYTXV-3	1000	26800	20200	2.41	12.75	11.1
TXA036C4+TAYTXV-3	1000	27800	21400	2.44	13.25	11.4
TXC030C4+TAYTXV-3	1000	26800	20200	2.41	12.75	11.1
TXC030D4+TAYTXV-3	1000	26800	20200	2.41	12.75	11.1
TXC031C4+TAYTXV-3	1000	27200	20800	2.43	13.00	11.2
TXC031D4+TAYTXV-3	1000	27000	20400	2.41	12.75	11.2
TXC031S3	1000	28000	21600	2.43	13.25	11.5
TXC035C4+TAYTXV-3	1000	26800	20200	2.41	12.75	11.1
TXC035D4+TAYTXV-3	1000	26800	20200	2.41	12.75	11.1
TXC036C4+TAYTXV-3	1000	27800	21400	2.44	13.25	11.4
TXC036D4+TAYTXV-3	1000	27400	20600	2.42	13.00	11.3
TXC036S3	1000	28400	21600	2.45	13.50	11.6
TXC037S3	1000	28800	22400	2.46	13.50	11.7
TXH033A4+TAYTXV-3	1000	27000	21000	2.41	13.00	11.2
TXH041A4+TAYTXV-3	1000	28000	21400	2.43	13.25	11.5

### CONDENSING UNIT WITH AIR HANDLERS

COIL	CFM	TOTAL CAPACITY	SENSIBLE CAPACITY	KW	SEER	EER
2TEC3F30A1	1000	27600	21600	2.46	13.00	11.2
2TEC3F36A1	1000	28000	21800	2.41	13.50	11.6
2TFE3F25B1	820	27400	19900	2.21	14.25	12.4
TWE024P13	1000	27600	21600	2.40	13.25	11.5
TWE030C14+TAYTXV-3	990	26600	20200	2.42	12.50	11.0
TWE030P13	1000	27000	20600	2.43	12.75	11.1
TWE031E13	1020	27800	21400	2.30	14.00	12.1
TWE036C14+TAYTXV-3	1000	27600	21600	2.44	13.00	11.3
TWE036P13	1000	27400	20800	2.45	13.00	11.2
TWE037E13	990	28400	21600	2.27	14.50	12.5
TWE040E13	1000	29600	22800	2.37	14.50	12.5

### CONDENSING UNIT WITH AIR HANDLERS

COIL	CFM	TOTAL CAPACITY	SENSIBLE CAPACITY	KW	SEER	EER
TWG036A14+TAYTXV-3	1000	27000	20600	2.41	13.00	11.2
TWG037A14+TAYTXV-3	880	26400	19400	2.36	13.00	11.2

### CONDENSING UNIT WITH FURNACE AND COILS

COIL	CFM	TOTAL CAPACITY	SENSIBLE CAPACITY	KW	SEER	EER
2CXAB031AC3+DD060R9V3	1000	27800	21400	2.26	14.25	12.3
2CXAB031AC3+DD080R9V3	950	27600	20800	2.24	14.25	12.3
2CXAB031AC3+DY060R9V3	870	27400	20000	2.23	14.25	12.3
2CXAB031AC3+DY080R9V3	890	27400	20200	2.26	14.00	12.1
2CXAB031AC3+UD060R9V3	1040	27800	21600	2.32	14.00	12.0
2CXAB031AC3+UD080R9V3	1000	27800	21400	2.28	14.25	12.2
2CXAB031AC3+UD080R9V4	1000	28000	21400	2.24	14.50	12.5
2CXAB031AC3+UD100R9V3	1040	27800	21600	2.32	14.00	12.0
2CXAB031AC3+UY060R9V3	880	27400	20200	2.23	14.25	12.3
2CXAB031AC3+UY080R9V3	860	27400	19900	2.21	14.50	12.4
2CXAB036AC3+DD060R9V3	1000	28000	20800	2.26	14.50	12.4
2CXAB036AC3+DD080R9V3	950	27800	20400	2.24	14.50	12.4
2CXAB036AC3+DY060R9V3	870	27600	19700	2.23	14.50	12.4
2CXAB036AC3+DY080R9V3	890	27600	19800	2.26	14.25	12.2
2CXAB036AC3+UD060R9V3	1040	28000	21200	2.31	14.00	12.1
2CXAB036AC3+UD080R9V3	1000	28000	20800	2.28	14.25	12.3
2CXAB036AC3+UD080R9V4	1000	28200	21000	2.26	14.50	12.5
2CXAB036AC3+UD100R9V3	1040	28000	21200	2.31	14.00	12.1
2CXAB036AC3+UY060R9V3	880	27600	19700	2.24	14.25	12.3
2CXAB036AC3+UY080R9V3	860	27600	19600	2.21	14.50	12.5
2CXAB042AC3+DD060R9V3	1000	28400	21600	2.27	14.50	12.5
2CXAB042AC3+DD080R9V3	950	28200	21000	2.26	14.50	12.5
2CXAB042AC3+DY060R9V3	870	28000	20200	2.24	14.50	12.5
2CXAB042AC3+DY080R9V3	890	28000	20400	2.28	14.25	12.3
2CXAB042AC3+UD060R9V3	1040	28400	21800	2.33	14.00	12.2
2CXAB042AC3+UD080R9V3	1000	28400	21600	2.29	14.50	12.4
2CXAB042AC3+UD080R9V4	1000	28600	21800	2.29	14.50	12.5
2CXAB042AC3+UD100R9V3	1040	28400	21800	2.33	14.25	12.2
2CXAB042AC3+UY060R9V3	880	28000	20400	2.26	14.50	12.4
2CXAB042AC3+UY080R9V3	860	28000	20200	2.24	14.50	12.5
2CXAC037AC3+DY100R9V4	1060	28800	22400	2.32	14.50	12.4
2CXAC037AC3+UY100R9V4	1050	28800	22400	2.30	14.50	12.5
2CXCB031AC3+DD060R9V3	1000	27800	21400	2.26	14.25	12.3
2CXCB031AC3+DD080R9V3	950	27600	20800	2.24	14.25	12.3
2CXCB031AC3+DY060R9V3	870	27400	20000	2.23	14.25	12.3
2CXCB031AC3+DY080R9V3	890	27400	20200	2.26	14.00	12.1
2CXCB031AC3+UD060R9V3	1040	27800	21600	2.32	14.00	12.0
2CXCB031AC3+UD080R9V3	1000	27800	21400	2.28	14.25	12.2
2CXCB031AC3+UD080R9V4	1000	28000	21400	2.24	14.50	12.5
2CXCB031AC3+UD100R9V3	1040	27800	21600	2.32	14.00	12.0
2CXCB031AC3+UY060R9V3	880	27400	20200	2.23	14.25	12.3
2CXCB031AC3+UY080R9V3	860	27400	19900	2.21	14.50	12.4
2CXCB036AC3+DD060R9V3	1000	28000	20800	2.26	14.50	12.4
2CXCB036AC3+DD080R9V3	950	27800	20400	2.24	14.50	12.4
2CXCB036AC3+DY060R9V3	870	27600	19700	2.23	14.50	12.4





# System Ratings

## 2TTA3030A3/4

### CONDENSING UNIT WITH FURNACE AND COILS

COIL	CFM	TOTAL CAPACITY	SENSIBLE CAPACITY	KW	SEER	EER
2CXC036AC3+*DY080R9V3	890	27600	19800	2.26	14.25	12.2
2CXC036AC3+*UD060R9V3	1040	28000	21200	2.31	14.00	12.1
2CXC036AC3+*UD080R9V3	1000	28000	20800	2.28	14.25	12.3
2CXC036AC3+*UD080R9V4	1000	28200	21000	2.26	14.50	12.5
2CXC036AC3+*UD100R9V3	1040	28000	21200	2.31	14.00	12.1
2CXC036AC3+*UY060R9V3	880	27600	19700	2.24	14.25	12.3
2CXC036AC3+*UY080R9V3	860	27600	19600	2.21	14.50	12.5
2CXC042AC3+*DD060R9V3	1000	28400	21600	2.27	14.50	12.5
2CXC042AC3+*DD080R9V3	950	28200	21000	2.26	14.50	12.5
2CXC042AC3+*DY060R9V3	870	28000	20200	2.24	14.50	12.5
2CXC042AC3+*DY080R9V3	890	28000	20400	2.28	14.25	12.3
2CXC042AC3+*UD060R9V3	1040	28400	21800	2.33	14.00	12.2
2CXC042AC3+*UD080R9V3	1000	28400	21600	2.29	14.50	12.4
2CXC042AC3+*UD080R9V4	1000	28600	21800	2.29	14.50	12.5
2CXC042AC3+*UD100R9V3	1040	28400	21800	2.33	14.25	12.2
2CXC042AC3+*UY060R9V3	880	28000	20400	2.26	14.50	12.4
2CXC042AC3+*UY080R9V3	860	28000	20200	2.24	14.50	12.5
2CXCC037AC3+*DY100R9V4	1060	28800	22400	2.32	14.50	12.4
2CXCC037AC3+*UY100R9V4	1050	28800	22400	2.30	14.50	12.5
2TXCB025AS3+*DD060R9V3	980	26200	19600	2.28	13.25	11.5
2TXCB025AS3+*DD080R9V3	940	26000	19000	2.22	13.50	11.7
2TXCB025AS3+*DY060R9V3	880	25800	18500	2.22	13.50	11.6
2TXCB025AS3+*DY080R9V3	890	25800	18600	2.26	13.00	11.4
2TXCB025AS3+*UD060R9V3	980	26200	19800	2.34	13.00	11.2
2TXCB025AS3+*UD080R9V3	980	26200	19500	2.28	13.25	11.5
2TXCB025AS3+*UD080R9V4	980	26200	19500	2.24	13.50	11.7
2TXCB025AS3+*UD100R9V3	820	25600	18000	2.19	13.50	11.7
2TXCB025AS3+*UY060R9V3	890	25800	18600	2.24	13.25	11.5
2TXCB025AS3+*UY080R9V3	860	25800	18400	2.21	13.50	11.7
2TXCB031AC3+*DD060R9V3	1000	27800	21400	2.26	14.25	12.3
2TXCB031AC3+*DD080R9V3	950	27600	20800	2.24	14.25	12.3
2TXCB031AC3+*DY060R9V3	870	27400	20000	2.23	14.25	12.3
2TXCB031AC3+*DY080R9V3	890	27400	20200	2.26	14.00	12.1
2TXCB031AC3+*UD060R9V3	1040	27800	21600	2.32	14.00	12.0
2TXCB031AC3+*UD080R9V3	1000	27800	21400	2.28	14.25	12.2
2TXCB031AC3+*UD080R9V4	1000	28000	21400	2.24	14.50	12.5
2TXCB031AC3+*UD100R9V3	1040	27800	21600	2.32	14.00	12.0
2TXCB031AC3+*UY060R9V3	880	27400	20200	2.23	14.25	12.3
2TXCB031AC3+*UY080R9V3	860	27400	19900	2.21	14.50	12.4
2TXCB031AS3+*DD060R9V3	1000	28400	21800	2.27	14.50	12.5
2TXCB031AS3+*DD080R9V3	950	28400	21400	2.27	14.50	12.5
2TXCB031AS3+*DY060R9V3	870	28000	20600	2.24	14.50	12.5
2TXCB031AS3+*DY080R9V3	890	28000	20600	2.28	14.25	12.3
2TXCB031AS3+*UD060R9V3	1040	28400	22200	2.33	14.00	12.2
2TXCB031AS3+*UD080R9V3	1000	28400	21800	2.29	14.50	12.4
2TXCB031AS3+*UD080R9V4	1000	28600	22000	2.29	14.50	12.5
2TXCB031AS3+*UD100R9V3	1050	28600	22400	2.34	14.25	12.2
2TXCB031AS3+*UY060R9V3	880	28000	20600	2.26	14.50	12.4
2TXCB031AS3+*UY080R9V3	860	28000	20400	2.24	14.50	12.5
2TXCB036AC3+*DD060R9V3	1000	28000	20800	2.26	14.50	12.4

### CONDENSING UNIT WITH FURNACE AND COILS

COIL	CFM	TOTAL CAPACITY	SENSIBLE CAPACITY	KW	SEER	EER
2TXCB036AC3+*DD080R9V3	950	27800	20400	2.24	14.50	12.4
2TXCB036AC3+*DY060R9V3	870	27600	19700	2.23	14.50	12.4
2TXCB036AC3+*DY080R9V3	890	27600	19800	2.26	14.25	12.2
2TXCB036AC3+*UD060R9V3	1040	28000	21200	2.31	14.00	12.1
2TXCB036AC3+*UD080R9V3	1000	28000	20800	2.28	14.25	12.3
2TXCB036AC3+*UD080R9V4	1000	28200	21000	2.26	14.50	12.5
2TXCB036AC3+*UD100R9V3	1040	28000	21200	2.31	14.00	12.1
2TXCB036AC3+*UY060R9V3	880	27600	19700	2.24	14.25	12.3
2TXCB036AC3+*UY080R9V3	860	27600	19600	2.21	14.50	12.5
2TXCB036AS3+*DD060R9V3	1000	29000	22200	2.32	14.50	12.5
2TXCB036AS3+*DD080R9V3	950	28800	21600	2.30	14.50	12.5
2TXCB036AS3+*DY060R9V3	870	28400	20600	2.27	14.50	12.5
2TXCB036AS3+*DY080R9V3	890	28400	20800	2.27	14.50	12.5
2TXCB036AS3+*UD060R9V3	1030	29000	22400	2.34	14.50	12.4
2TXCB036AS3+*UD080R9V3	1000	29000	22200	2.32	14.50	12.5
2TXCB036AS3+*UD080R9V4	1000	29000	22200	2.32	14.50	12.5
2TXCB036AS3+*UD100R9V3	1030	29000	22400	2.34	14.50	12.4
2TXCB036AS3+*UY060R9V3	880	28400	20800	2.27	14.50	12.5
2TXCB036AS3+*UY080R9V3	860	28400	20600	2.27	14.50	12.5
2TXCB042AC3+*DD060R9V3	1000	28400	21600	2.27	14.50	12.5
2TXCB042AC3+*DD080R9V3	950	28200	21000	2.26	14.50	12.5
2TXCB042AC3+*DY060R9V3	870	28000	20200	2.24	14.50	12.5
2TXCB042AC3+*DY080R9V3	890	28000	20400	2.28	14.25	12.3
2TXCB042AC3+*UD060R9V3	1040	28400	21800	2.33	14.00	12.2
2TXCB042AC3+*UD080R9V3	1000	28400	21600	2.29	14.50	12.4
2TXCB042AC3+*UD080R9V4	1000	28600	21800	2.29	14.50	12.5
2TXCB042AC3+*UD100R9V3	1040	28400	21800	2.33	14.25	12.2
2TXCB042AC3+*UY060R9V3	880	28000	20400	2.26	14.50	12.4
2TXCB042AC3+*UY080R9V3	860	28000	20200	2.24	14.50	12.5
2TXCC037AC3+*DY100R9V4	1060	28800	22400	2.32	14.50	12.4
2TXCC037AC3+*UY100R9V4	1050	28800	22400	2.30	14.50	12.5
2TXCC037AS3+*DY100R9V4	1060	29400	23200	2.35	14.50	12.5
2TXCC037AS3+*UY100R9V4	1050	29400	23200	2.35	14.50	12.5
2TXFH033AS3+*DD060R9V3	990	27600	21400	2.23	14.25	12.4
2TXFH033AS3+*DD080R9V3	960	27600	21200	2.23	14.25	12.4
2TXFH033AS3+*UD060R9V3	860	27200	20200	2.21	14.25	12.3
2TXFH033AS3+*DY080R9V3	880	27200	20200	2.23	14.00	12.2
2TXFH033AS3+*UD060R9V3	1020	27600	21600	2.28	14.00	12.1
2TXFH033AS3+*UD080R9V3	1010	27600	21600	2.24	14.25	12.3
2TXFH033AS3+*UD080R9V4	1000	27800	21600	2.22	14.50	12.5
2TXFH033AS3+*UD100R9V3	1020	27600	21600	2.26	14.00	12.2
2TXFH033AS3+*UY060R9V3	870	27200	20200	2.21	14.25	12.3
2TXFH033AS3+*UY080R9V3	850	27200	20000	2.19	14.50	12.4
2TXFH041AS3+*DD060R9V3	990	28600	21800	2.29	14.50	12.5
2TXFH041AS3+*DD080R9V3	960	28600	21600	2.29	14.50	12.5
2TXFH041AS3+*DY060R9V3	870	28200	20600	2.26	14.50	12.5
2TXFH041AS3+*DY080R9V3	890	28200	20600	2.26	14.50	12.5
2TXFH041AS3+*DY100R9V4	1060	28800	22400	2.32	14.50	12.4
2TXFH041AS3+*UD060R9V3	1020	28600	22000	2.31	14.50	12.4
2TXFH041AS3+*UD080R9V3	1010	28600	21800	2.29	14.50	12.5



# System Ratings

## 2TTA3030A3/4

### CONDENSING UNIT WITH FURNACE AND COILS

COIL	CFM	TOTAL CAPACITY	SENSIBLE CAPACITY	KW	SEER	EER
2TXFH041AS3+*UD080R9V4	1000	28800	22000	2.30	14.50	12.5
2TXFH041AS3+*UD100R9V3	1020	28600	22000	2.31	14.50	12.4
2TXFH041AS3+*UY060R9V3	870	28000	20400	2.24	14.50	12.5
2TXFH041AS3+*UY080R9V3	850	28000	20200	2.24	14.50	12.5
2TXFH041AS3+*UY100R9V4	1050	28800	22400	2.30	14.50	12.5
TXC031S3+*DD060R9V3	1000	28400	21800	2.27	14.50	12.5
TXC031S3+*DD080R9V3	950	28400	21400	2.27	14.50	12.5
TXC031S3+*DY060R9V3	870	28000	20600	2.24	14.50	12.5
TXC031S3+*DY080R9V3	890	28000	20600	2.28	14.25	12.3
TXC031S3+*UD060R9V3	1040	28400	22200	2.33	14.00	12.2
TXC031S3+*UD080R9V3	1000	28400	21800	2.29	14.50	12.4
TXC031S3+*UD080R9V4	1000	28600	22000	2.29	14.50	12.5
TXC031S3+*UD100R9V3	1050	28600	22400	2.34	14.25	12.2
TXC031S3+*UY060R9V3	880	28000	20600	2.26	14.50	12.4
TXC031S3+*UY080R9V3	860	28000	20400	2.24	14.50	12.5
TXC036S3+*DD060R9V3	1000	29000	22200	2.32	14.50	12.5
TXC036S3+*DD080R9V3	950	28800	21600	2.30	14.50	12.5
TXC036S3+*DY060R9V3	870	28400	20600	2.27	14.50	12.5
TXC036S3+*DY080R9V3	890	28400	20800	2.27	14.50	12.5
TXC036S3+*UD060R9V3	1030	29000	22400	2.34	14.50	12.4
TXC036S3+*UD080R9V3	1000	29000	22200	2.32	14.50	12.5
TXC036S3+*UD080R9V4	1000	29000	22200	2.32	14.50	12.5
TXC036S3+*UD100R9V3	1030	29000	22400	2.34	14.50	12.4

### CONDENSING UNIT WITH FURNACE AND COILS

COIL	CFM	TOTAL CAPACITY	SENSIBLE CAPACITY	KW	SEER	EER
TXC036S3+*UY060R9V3	880	28400	20800	2.27	14.50	12.5
TXC036S3+*UY080R9V3	860	28400	20600	2.27	14.50	12.5
TXC037S3+*DY100R9V4	1060	29400	23200	2.35	14.50	12.5
TXC037S3+*UY100R9V4	1050	29400	23200	2.35	14.50	12.5
TXH033A4+TAYTXV-3+*DD060R9V3	990	27600	21400	2.23	14.25	12.4
TXH033A4+TAYTXV-3+*DD080R9V3	960	27600	21200	2.23	14.50	12.4
TXH033A4+TAYTXV-3+*DY060R9V3	860	27200	20200	2.19	14.25	12.4
TXH033A4+TAYTXV-3+*UD060R9V3	1020	27600	21600	2.28	14.00	12.1
TXH033A4+TAYTXV-3+*UD080R9V3	1010	27600	21600	2.24	14.25	12.3
TXH033A4+TAYTXV-3+*UD080R9V4	1000	27800	21600	2.22	14.50	12.5
TXH033A4+TAYTXV-3+*UD100R9V3	1020	27600	21600	2.28	14.00	12.1
TXH033A4+TAYTXV-3+*UY060R9V3	870	27200	20200	2.21	14.25	12.3
TXH041A4+TAYTXV-3+*DD060R9V3	990	28600	21800	2.29	14.50	12.5
TXH041A4+TAYTXV-3+*DD080R9V3	960	28600	21400	2.29	14.50	12.5
TXH041A4+TAYTXV-3+*DY060R9V3	870	28200	20400	2.26	14.50	12.5
TXH041A4+TAYTXV-3+*DY080R9V3	890	28000	20400	2.24	14.50	12.5
TXH041A4+TAYTXV-3+*UD060R9V3	1020	28600	22000	2.31	14.50	12.4
TXH041A4+TAYTXV-3+*UD080R9V3	1010	28600	21800	2.29	14.50	12.5
TXH041A4+TAYTXV-3+*UD080R9V4	1000	28800	22000	2.30	14.50	12.5
TXH041A4+TAYTXV-3+*UD100R9V3	1020	28600	22000	2.31	14.50	12.4
TXH041A4+TAYTXV-3+*UY060R9V3	870	28200	20400	2.26	14.50	12.5
TXH041A4+TAYTXV-3+*UY080R9V3	850	28200	20400	2.26	14.50	12.5

## 2TTA3036A3/4

### CONDENSING UNIT WITH COOLING COILS

COIL	CFM	TOTAL CAPACITY	SENSIBLE CAPACITY	KW	SEER	EER
2CXAB036AC3	1200	33800	24800	3.02	13.00	11.2
2CXAB042AC3	1200	34400	25800	3.02	13.25	11.4
2CXAB048AC3	1200	34800	26200	3.03	13.50	11.5
2CXAC037AC3	1200	34400	26000	3.02	13.25	11.4
2CXAC043AC3	1200	34400	25800	3.02	13.25	11.4
2CXC036AC3	1200	33800	24800	3.02	13.00	11.2
2CXC042AC3	1200	34400	25800	3.02	13.25	11.4
2CXC048AC3	1200	34800	26200	3.03	13.50	11.5
2CXCC037AC3	1200	34400	26000	3.02	13.25	11.4
2CXCC043AC3	1200	34400	25800	3.02	13.25	11.4
2TXCB036AC3[T]	1200	34000	24200	3.01	13.25	11.3
2TXCB036AS3	1200	34800	26400	3.03	13.50	11.5
2TXCB042AC3	1200	34400	25800	3.02	13.25	11.4
2TXCB048AC3	1200	34800	26200	3.03	13.50	11.5
2TXCC037AC3	1200	34400	26000	3.02	13.25	11.4
2TXCC037AS3	1200	35200	27000	3.03	13.50	11.6
2TXCC043AC3	1200	34400	25800	3.02	13.25	11.4
2TXCC054AS3	1200	34600	25800	3.01	13.25	11.5

### CONDENSING UNIT WITH COOLING COILS

COIL	CFM	TOTAL CAPACITY	SENSIBLE CAPACITY	KW	SEER	EER
2TXFH033AS3	1200	32800	25400	3.01	12.75	10.9
2TXFH041AS3	1200	34400	25800	3.02	13.25	11.4
TXA036C4+TYATXV-3	1200	34000	25600	3.01	13.00	11.3
TXA037C4+TYATXV-3	1200	33600	25000	3.00	13.00	11.2
TXA042C4+TYATXV-3	1200	34000	25200	3.01	13.00	11.3
TXA043C4+TYATXV-3	1200	33800	25000	3.02	13.00	11.2
TXC031C4+TYATXV-3	1100	32800	24000	2.95	13.00	11.1
TXC031D4+TYATXV-3	1100	32600	23800	2.96	12.75	11.0
TXC036C4+TYATXV-3	1200	34000	25600	3.01	13.00	11.3
TXC036D4+TYATXV-3	1200	33600	25000	3.00	13.00	11.2
TXC036S3	1200	34800	26400	3.03	13.50	11.5
TXC037C4+TYATXV-3	1200	33600	25000	3.00	13.00	11.2
TXC037S3	1200	35200	27000	3.03	13.50	11.6
TXC042C4+TYATXV-3	1200	34000	25200	3.01	13.00	11.3
TXC043C4+TYATXV-3	1200	33800	25000	3.02	13.00	11.2
TXC054S3	1200	34600	25800	3.01	13.25	11.5
TXH033A4+TYATXV-3	1200	32800	25400	3.01	12.75	10.9
TXH041A4+TYATXV-3	1200	34400	25800	3.02	13.25	11.4



# System Ratings

## 2TTA3036A3/4

### CONDENSING UNIT WITH AIR HANDLERS

COIL	CFM	TOTAL CAPACITY	SENSIBLE CAPACITY	KW	SEER	EER
2TEC3F36A1	1200	34200	26200	2.97	13.25	11.5
2TEC3F42A1	1200	35200	27400	3.06	13.50	11.5
2TFE3F25B1	1030	33400	24400	2.85	13.75	11.7
2TGB3F36A1	1200	34000	26600	3.04	13.00	11.2
2TGB3F42A1	1200	35200	27400	3.09	13.25	11.4
2TGB3F48A1	1200	35200	27000	3.09	13.25	11.4
TWE030P13	1050	32600	23600	2.96	12.75	11.0
TWE031E13	1220	33600	25600	2.95	13.25	11.4
TWE036C14+TYATXV-3	1200	33800	26000	3.02	13.00	11.2
TWE036P13	1200	33600	25200	3.03	12.75	11.1
TWE037E13	1160	34400	25600	2.82	14.25	12.2
TWE040E13	1200	36200	27800	2.90	14.50	12.5
TWE042C14+TYATXV-3	1050	33800	24800	2.96	13.25	11.4
TWE042P13	1200	34200	25600	3.03	13.00	11.3
TWE049E13	1200	36200	27000	2.90	14.50	12.5
TWG042A14+TYATXV-3	1200	32600	24000	2.99	12.75	10.9

### CONDENSING UNIT WITH FURNACE AND COILS

COIL	CFM	TOTAL CAPACITY	SENSIBLE CAPACITY	KW	SEER	EER
2CXAB036AC3+*DD060R9V3	1220	34200	25400	2.92	13.75	11.7
2CXAB036AC3+*DD080R9V3	1130	33800	24400	2.86	13.75	11.8
2CXAB036AC3+*DY060R9V3	1090	33800	24200	2.86	13.75	11.8
2CXAB036AC3+*DY080R9V3	1100	33600	24000	2.90	13.50	11.6
2CXAB036AC3+*UD060R9V3	1200	34000	25000	2.96	13.50	11.5
2CXAB036AC3+*UD080R9V3	1200	34000	25000	2.93	13.50	11.6
2CXAB036AC3+*UD080R9V4	1180	34200	25000	2.83	14.00	12.1
2CXAB036AC3+*UD100R9V3	1250	34000	25400	3.01	13.25	11.3
2CXAB036AC3+*UY060R9V3	1080	33600	24000	2.87	13.75	11.7
2CXAB036AC3+*UY080R9V3	1030	33600	23600	2.82	14.00	11.9
2CXAB042AC3+*DD060R9V3	1220	34600	26200	2.91	13.75	11.9
2CXAB042AC3+*DD080R9V3	1130	34400	25400	2.87	14.00	12.0
2CXAB042AC3+*DY060R9V3	1090	34200	24800	2.85	14.00	12.0
2CXAB042AC3+*DY080R9V3	1100	34200	25000	2.92	13.75	11.7
2CXAB042AC3+*UD060R9V3	1200	34600	26000	2.96	13.50	11.7
2CXAB042AC3+*UD080R9V3	1200	34600	26000	2.93	13.75	11.8
2CXAB042AC3+*UD080R9V4	1180	34800	26000	2.85	14.25	12.2
2CXAB042AC3+*UD100R9V3	1250	34600	26400	3.01	13.25	11.5
2CXAB042AC3+*UY060R9V3	1080	34200	24800	2.87	14.00	11.9
2CXAB042AC3+*UY080R9V3	1030	34000	24400	2.81	14.25	12.1
2CXAB048AC3+*DD060R9V3	1220	35200	26800	2.93	14.00	12.0
2CXAB048AC3+*DD080R9V3	1130	35000	25800	2.87	14.25	12.2
2CXAB048AC3+*DY060R9V3	1090	34800	25400	2.88	14.25	12.1
2CXAB048AC3+*DY080R9V3	1100	34600	25400	2.91	13.75	11.9
2CXAB048AC3+*UD060R9V3	1200	35000	26400	2.97	13.75	11.8
2CXAB048AC3+*UD080R9V3	1200	35000	26400	2.94	14.00	11.9
2CXAB048AC3+*UD080R9V4	1180	35200	26400	2.86	14.50	12.3
2CXAB048AC3+*UD100R9V3	1250	35000	26800	3.02	13.50	11.6
2CXAB048AC3+*UY060R9V3	1080	34600	25200	2.88	14.00	12.0
2CXAB048AC3+*UY080R9V3	1030	34600	24800	2.84	14.25	12.2
2CXCC037AC3+*DY100R9V4	1050	34400	24800	2.82	14.25	12.2
2CXCC043AC3+*DY100R9V4	1050	34200	24600	2.83	14.50	12.1
2CXCC043AC3+*UY100R9V4	1050	34400	24800	2.80	14.50	12.3
2TXCB036AC3+*DD060R9V3	1220	34200	25400	2.92	13.75	11.7
2TXCB036AC3+*DD080R9V3	1130	33800	24400	2.86	13.75	11.8
2TXCB036AC3+*DY060R9V3	1090	33800	24200	2.86	13.75	11.8
2TXCB036AC3+*DY080R9V3	1100	33600	24000	2.90	13.50	11.6
2TXCB036AC3+*UD060R9V3	1200	34000	25000	2.96	13.50	11.5
2TXCB036AC3+*UD080R9V3	1200	34000	25000	2.93	13.50	11.6
2TXCB036AC3+*UD080R9V4	1180	34200	25000	2.83	14.00	12.1
2TXCB036AC3+*UD100R9V3	1250	34000	25400	3.01	13.25	11.3
2TXCB036AC3+*UY060R9V3	1080	33600	24000	2.87	13.75	11.7
2TXCB036AC3+*UY080R9V3	1030	33600	23600	2.82	14.00	11.9
2TXCB036AS3+*DD060R9V3	1220	35200	26800	2.91	14.00	12.1
2TXCB036AS3+*DD080R9V3	1130	35000	26000	2.87	14.25	12.2
2TXCB036AS3+*DY060R9V3	1090	34800	25400	2.85	14.25	12.2



# System Ratings

## 2TTA3036A3/4

### CONDENSING UNIT WITH FURNACE AND COILS

COIL	CFM	TOTAL CAPACITY	SENSIBLE CAPACITY	KW	SEER	EER
2TXCB036AS3+*DY080R9V3	1100	34600	25400	2.91	14.00	11.9
2TXCB036AS3+*UD060R9V3	1200	35000	26400	2.97	13.75	11.8
2TXCB036AS3+*UD080R9V3	1200	35200	26600	2.96	14.00	11.9
2TXCB036AS3+*UD080R9V4	1180	35400	26600	2.85	14.50	12.4
2TXCB036AS3+*UD100R9V3	1250	35000	26800	3.02	13.50	11.6
2TXCB036AS3+*UY060R9V3	1080	34800	25400	2.88	14.00	12.1
2TXCB036AS3+*UY080R9V3	1030	34600	24800	2.81	14.25	12.3
2TXCB042AC3+*DD060R9V3	1220	34600	26200	2.91	13.75	11.9
2TXCB042AC3+*DD080R9V3	1130	34400	25400	2.87	14.00	12.0
2TXCB042AC3+*DY060R9V3	1090	34200	24800	2.85	14.00	12.0
2TXCB042AC3+*DY080R9V3	1100	34200	25000	2.92	13.75	11.7
2TXCB042AC3+*UD060R9V3	1200	34600	26000	2.96	13.50	11.7
2TXCB042AC3+*UD080R9V3	1200	34600	26000	2.93	13.75	11.8
2TXCB042AC3+*UD080R9V4	1180	34800	26000	2.85	14.25	12.2
2TXCB042AC3+*UD100R9V3	1250	34600	26400	3.01	13.25	11.5
2TXCB042AC3+*UY060R9V3	1080	34200	24800	2.87	14.00	11.9
2TXCB042AC3+*UY080R9V3	1030	34000	24400	2.81	14.25	12.1
2TXCB048AC3+*DD060R9V3	1220	35200	26800	2.93	14.00	12.0
2TXCB048AC3+*DD080R9V3	1130	35000	25800	2.87	14.25	12.2
2TXCB048AC3+*DY060R9V3	1090	34800	25400	2.88	14.25	12.1
2TXCB048AC3+*DY080R9V3	1100	34600	25400	2.91	13.75	11.9
2TXCB048AC3+*UD060R9V3	1200	35000	26400	2.97	13.75	11.8
2TXCB048AC3+*UD080R9V3	1200	35000	26400	2.94	14.00	11.9
2TXCB048AC3+*UD080R9V4	1180	35200	26400	2.86	14.50	12.3
2TXCB048AC3+*UD100R9V3	1250	35000	26800	3.02	13.50	11.6
2TXCB048AC3+*UY060R9V3	1080	34600	25200	2.88	14.00	12.0
2TXCB048AC3+*UY080R9V3	1030	34600	24800	2.84	14.25	12.2
2TXCC037AC3+*DY100R9V4	1050	34400	24800	2.82	14.25	12.2
2TXCC037AC3+*UY100R9V4	1050	34400	24800	2.80	14.50	12.3
2TXCC037AS3+*DY100R9V4	1050	35000	25600	2.82	14.50	12.4
2TXCC043AC3+*DY100R9V4	1050	34200	24600	2.83	14.25	12.1
2TXCC054AS3+*DY100R9V4	1050	34400	24600	2.82	14.25	12.2
2TXFH033AS3+*DD060R9V3	1210	33200	25800	2.86	13.50	11.6
2TXFH033AS3+*DD080R9V3	1130	33000	25000	2.84	13.75	11.6
2TXFH033AS3+*DY060R9V3	1070	32800	24400	2.83	13.75	11.6
2TXFH033AS3+*DY080R9V3	1110	32800	24600	2.88	13.25	11.4
2TXFH033AS3+*DY100R9V4	1050	32800	24200	2.80	13.75	11.7
2TXFH033AS3+*UD060R9V3	1210	33000	25600	2.92	13.25	11.3
2TXFH033AS3+*UD080R9V3	1200	33000	25600	2.89	13.50	11.5
2TXFH033AS3+*UD080R9V4	1180	33400	25600	2.81	14.00	11.9
2TXFH033AS3+*UY060R9V3	1070	32800	24400	2.83	13.50	11.6
2TXFH033AS3+*UY080R9V3	1030	32600	23800	2.79	13.75	11.7
2TXFH041AS3+*DD060R9V3	1210	35000	26400	2.87	14.25	12.2
2TXFH041AS3+*DD080R9V3	1140	34800	25800	2.85	14.25	12.2
2TXFH041AS3+*DY060R9V3	1070	34400	24800	2.82	14.25	12.2

### CONDENSING UNIT WITH FURNACE AND COILS

COIL	CFM	TOTAL CAPACITY	SENSIBLE CAPACITY	KW	SEER	EER
2TXFH041AS3+*DY080R9V3	1110	34400	25200	2.89	14.00	11.9
2TXFH041AS3+*DY100R9V4	1060	34400	24800	2.82	14.25	12.2
2TXFH041AS3+*UD060R9V3	1210	34800	26200	2.92	14.00	11.9
2TXFH041AS3+*UD080R9V3	1200	34800	26200	2.90	14.00	12.0
2TXFH041AS3+*UD080R9V4	1180	35000	26200	2.80	14.50	12.5
2TXFH041AS3+*UD100R9V3	1230	34800	26400	2.97	13.75	11.7
2TXFH041AS3+*UY060R9V3	1060	34400	24800	2.84	14.25	12.1
2TXFH041AS3+*UY080R9V3	1030	34400	24600	2.80	14.50	12.3
TXC036S3+*DD060R9V3	1220	35200	26800	2.91	14.00	12.1
TXC036S3+*DD080R9V3	1130	35000	26000	2.87	14.25	12.2
TXC036S3+*DY060R9V3	1090	34800	25400	2.85	14.25	12.2
TXC036S3+*DY080R9V3	1100	34600	25400	2.91	14.00	11.9
TXC036S3+*UD060R9V3	1200	35000	26400	2.97	13.75	11.8
TXC036S3+*UD080R9V3	1200	35200	26600	2.96	14.00	11.9
TXC036S3+*UD080R9V4	1180	35400	26600	2.85	14.50	12.4
TXC036S3+*UD100R9V3	1250	35000	26800	3.02	13.50	11.6
TXC036S3+*UY060R9V3	1080	34800	25400	2.88	14.00	12.1
TXC036S3+*UY080R9V3	1030	34600	24800	2.81	14.25	12.3
TXC037S3+*DY100R9V4	1050	35000	25600	2.82	14.50	12.4
TXC054S3+*DY100R9V4	1050	34400	24600	2.82	14.25	12.2
TXH033A4+TYATXV-3+*DD060R9V3	1210	33200	25800	2.86	13.50	11.6
TXH033A4+TYATXV-3+*DD080R9V3	1130	33000	25000	2.82	13.75	11.7
TXH033A4+TYATXV-3+*DD100R9V5	1180	33400	25600	2.78	14.00	12.0
TXH033A4+TYATXV-3+*DY060R9V3	1070	32800	24400	2.83	13.75	11.6
TXH033A4+TYATXV-3+*DY080R9V3	1110	32800	24600	2.88	13.25	11.4
TXH033A4+TYATXV-3+*DY100R9V4	1050	32800	24200	2.80	13.75	11.7
TXH033A4+TYATXV-3+*UD060R9V3	1210	33000	25600	2.92	13.25	11.3
TXH033A4+TYATXV-3+*UD080R9V3	1200	33200	25600	2.89	13.50	11.5
TXH033A4+TYATXV-3+*UD080R9V4	1180	33400	25600	2.81	14.00	11.9
TXH033A4+TYATXV-3+*UD100R9V5	1210	33400	26000	2.81	14.00	11.9
TXH033A4+TYATXV-3+*UY060R9V3	1070	32800	24400	2.83	13.50	11.6
TXH033A4+TYATXV-3+*UY080R9V3	1030	32800	24000	2.80	13.75	11.7
TXH041A4+TYATXV-3+*DD060R9V3	1210	35000	26400	2.87	14.25	12.2
TXH041A4+TYATXV-3+*DD080R9V3	1140	34800	25800	2.85	14.25	12.2
TXH041A4+TYATXV-3+*DD100R9V5	1180	35000	26200	2.80	14.50	12.5
TXH041A4+TYATXV-3+*DY060R9V3	1070	34400	25000	2.82	14.25	12.2
TXH041A4+TYATXV-3+*DY080R9V3	1110	34400	25200	2.89	14.00	11.9
TXH041A4+TYATXV-3+*DY100R9V4	1060	34400	24800	2.82	14.25	12.2
TXH041A4+TYATXV-3+*UD060R9V3	1210	34800	26200	2.92	14.00	11.9
TXH041A4+TYATXV-3+*UD080R9V3	1200	34800	26200	2.90	14.00	12.0
TXH041A4+TYATXV-3+*UD080R9V4	1180	35000	26200	2.80	14.50	12.5
TXH041A4+TYATXV-3+*UD100R9V3	1230	34800	26400	2.95	13.75	11.8
TXH041A4+TYATXV-3+*UD100R9V5	1210	35200	26600	2.82	14.50	12.5
TXH041A4+TYATXV-3+*UY060R9V3	1060	34400	24800	2.84	14.25	12.1
TXH041A4+TYATXV-3+*UY080R9V3	1030	34400	24600	2.80	14.50	12.3



# System Ratings

## 2TTA3042A3/4

### CONDENSING UNIT WITH COOLING COILS

COIL	CFM	TOTAL CAPACITY	SENSIBLE CAPACITY	KW	SEER	EER
2CXAB042AC3	1250	39000	28200	3.42	13.25	11.4
2CXAB048AC3	1220	39500	28400	3.41	13.50	11.6
2CXAC043AC3	1400	40000	30000	3.51	13.25	11.4
2CXAC049AC3	1400	40500	30400	3.52	13.50	11.5
2CXAD050AC3	1400	40500	30600	3.52	13.50	11.5
2CXCB042AC3	1250	39000	28200	3.42	13.25	11.4
2CXCB048AC3	1220	39500	28400	3.41	13.50	11.6
2CXCC043AC3	1400	40000	30000	3.51	13.25	11.4
2CXCC049AC3	1400	40500	30400	3.52	13.50	11.5
2CXCD050AC3	1400	40500	30600	3.52	13.50	11.5
2TXCB036AS3	1280	40000	29400	3.45	13.50	11.6
2TXCB042AC3[T]	1200	39000	26600	3.36	13.25	11.6
2TXCB048AC3	1220	39500	28400	3.41	13.50	11.6
2TXCC037AS3	1400	41000	31400	3.50	13.75	11.7
2TXCC043AC3	1400	40000	30000	3.51	13.25	11.4
2TXCC049AC3	1400	40500	30400	3.52	13.50	11.5
2TXCC054AS3	1400	40000	29800	3.48	13.25	11.5
2TXCC060AC3	1400	41000	30600	3.50	13.75	11.7
2TXCD050AC3	1400	40500	30600	3.52	13.50	11.5
2TXCD065AS3	1400	40500	29800	3.49	13.50	11.6
2TXFH041AS3	1400	40000	30000	3.51	13.25	11.4
2TXFH054AS3	1400	41500	31400	3.52	13.75	11.8
2TXFH063AS3	1400	42500	32400	3.51	14.25	12.1
TXA042C4+TYATXV-3	1260	39000	28000	3.45	13.00	11.3
TXA048C4+TYATXV-3	1350	39500	29000	3.46	13.25	11.4
TXC036S3	1280	40000	29400	3.45	13.50	11.6
TXC037S3	1400	41000	31400	3.50	13.75	11.7
TXC042C4+TYATXV-3	1260	39000	28000	3.45	13.00	11.3
TXC048C4+TYATXV-3	1350	39500	29000	3.46	13.25	11.4
TXC054S3	1400	40000	29800	3.48	13.25	11.5
TXC065S3	1400	40500	29800	3.49	13.50	11.6
TXH041A4+TYATXV-3	1400	40000	30000	3.51	13.25	11.4
TXH054A4+TYATXV-3	1400	41500	31600	3.52	13.75	11.8
TXH063P3	1400	42500	32400	3.51	14.25	12.1

### CONDENSING UNIT WITH AIR HANDLERS

COIL	CFM	TOTAL CAPACITY	SENSIBLE CAPACITY	KW	SEER	EER
2TEC3F42A1	1400	41000	31800	3.53	13.50	11.6
2TEC3F48A1	1400	41500	31800	3.49	14.00	11.9
2TEP3F48B1	1400	41500	31600	3.52	13.75	11.8
2TGB3F42A1	1400	41000	31800	3.57	13.50	11.5
2TGB3F48A1	1230	40500	29600	3.49	13.50	11.6
TWE037E13	1360	39500	29400	3.35	13.75	11.8
TWE040E13	1400	42000	32200	3.39	14.50	12.4
TWE042P13	1400	40000	29800	3.54	13.25	11.3
TWE048C14+TYATXV-3	1480	40500	31400	3.58	13.25	11.3
TWE048P13	1400	42500	32400	3.51	14.25	12.1
TWE049E13	1410	42000	31200	3.36	14.50	12.5
TWE060P13	1400	42500	32400	3.51	14.25	12.1
TWG048A14+TYATXV-3	1400	40000	30200	3.48	13.50	11.5

### CONDENSING UNIT WITH FURNACE AND COILS

COIL	CFM	TOTAL CAPACITY	SENSIBLE CAPACITY	KW	SEER	EER
2CXAB042AC3+UD080R9V4	1400	40000	30000	3.39	13.75	11.8
2CXAB048AC3+UD080R9V4	1400	41000	31000	3.42	14.00	12.0
2CXAC043AC3+DY100R9V4	1230	39500	28400	3.32	13.75	11.9
2CXAC043AC3+UY100R9V4	1220	39500	28400	3.26	14.00	12.1
2CXAC049AC3+DY100R9V4	1230	40000	28800	3.33	14.00	12.0
2CXAC049AC3+UY100R9V4	1220	40000	28800	3.28	14.25	12.2
2CXAD050AC3+DD120R9V5	1410	41000	31000	3.28	14.50	12.5
2CXAD050AC3+DY120R9V5	1220	40000	28800	3.25	14.25	12.3
2CXAD050AC3+UD120R9V5	1390	41000	30800	3.28	14.50	12.5
2CXAD050AC3+UD140R9V5	1380	41000	30800	3.28	14.50	12.5
2CXAD050AC3+UY120R9V5	1210	40000	28800	3.23	14.50	12.4
2CXCB042AC3+UD080R9V4	1400	40000	30000	3.39	13.75	11.8
2CXCB048AC3+UD080R9V4	1400	41000	31000	3.42	14.00	12.0
2CXCC043AC3+DY100R9V4	1230	39500	28400	3.32	13.75	11.9
2CXCC043AC3+UY100R9V4	1220	39500	28400	3.26	14.00	12.1
2CXCC049AC3+DY100R9V4	1230	40000	28800	3.33	14.00	12.0
2CXCC049AC3+UY100R9V4	1220	40000	28800	3.28	14.25	12.2
2CXCD050AC3+DD120R9V5	1410	41000	31000	3.28	14.50	12.5
2CXCD050AC3+DY120R9V5	1220	40000	28800	3.25	14.25	12.3
2CXCD050AC3+UD120R9V5	1390	41000	30800	3.28	14.50	12.5
2CXCD050AC3+UD140R9V5	1380	41000	30800	3.28	14.50	12.5
2CXCD050AC3+UY120R9V5	1210	40000	28800	3.23	14.50	12.4
2TXCB036AS3+UD080R9V4	1400	41000	31000	3.42	14.00	12.0
2TXCB042AC3+UD080R9V4	1400	40000	30000	3.39	13.75	11.8
2TXCB048AC3+UD080R9V4	1400	41000	31000	3.42	14.00	12.0
2TXCC037AS3+DD100R9V5	1410	41500	31800	3.37	14.50	12.3
2TXCC037AS3+DY100R9V4	1230	40500	29600	3.32	14.25	12.2
2TXCC037AS3+UY100R9V4	1220	41000	29800	3.33	14.50	12.3
2TXCC043AC3+DY100R9V4	1230	39500	28400	3.32	13.75	11.9
2TXCC043AC3+UY100R9V4	1220	39500	28400	3.26	14.00	12.1
2TXCC049AC3+DY100R9V4	1230	40000	28800	3.33	14.00	12.0
2TXCC049AC3+UY100R9V4	1220	40000	28800	3.28	14.25	12.2
2TXCC054AS3+DD100R9V5	1420	40500	30400	3.35	14.00	12.1
2TXCC054AS3+DY100R9V4	1230	39500	28200	3.32	13.75	11.9
2TXCC054AS3+UD100R9V5	1470	41000	31000	3.42	14.00	12.0
2TXCC054AS3+UY100R9V4	1230	40000	28600	3.31	14.00	12.1
2TXCC060AC3+DY100R9V4	1230	40500	29000	3.35	14.25	12.1
2TXCC060AC3+UY100R9V4	1230	40500	29000	3.29	14.50	12.3
2TXCD050AC3+DD120R9V5	1410	41000	31000	3.28	14.50	12.5
2TXCD050AC3+DY120R9V5	1220	40000	28800	3.25	14.25	12.3
2TXCD050AC3+UD120R9V5	1390	41000	30800	3.28	14.50	12.5
2TXCD050AC3+UD140R9V5	1380	41000	30800	3.28	14.50	12.5
2TXCD050AC3+UY120R9V5	1210	40000	28800	3.23	14.50	12.4
2TXCD065AS3+DD120R9V5	1420	41500	30800	3.32	14.50	12.5
2TXCD065AS3+DY120R9V5	1210	40500	28600	3.32	14.25	12.2
2TXCD065AS3+UD120R9V5	1400	41500	30600	3.35	14.50	12.4
2TXCD065AS3+UD140R9V5	1390	41500	30600	3.35	14.50	12.4
2TXCD065AS3+UY120R9V5	1210	40500	28600	3.29	14.50	12.3
2TXFH041AS3+DD100R9V5	1410	40500	30400	3.32	14.25	12.2
2TXFH041AS3+DY120R9V5	1410	40500	30400	3.27	14.50	12.4



# System Ratings

## 2TTA3042A3/4

### CONDENSING UNIT WITH FURNACE AND COILS

COIL	CFM	TOTAL CAPACITY	SENSIBLE CAPACITY	KW	SEER	EER
2TXFH041AS3+*DY100R9V4	1230	39500	28400	3.29	14.00	12.0
2TXFH041AS3+*DY120R9V5	1220	39500	28400	3.26	14.25	12.1
2TXFH041AS3+*UD080R9V4	1400	40500	30400	3.32	14.25	12.2
2TXFH041AS3+*UD100R9V5	1460	40500	30800	3.35	14.25	12.1
2TXFH041AS3+*UD120R9V5	1390	40500	30400	3.29	14.50	12.3
2TXFH041AS3+*UD140R9V5	1380	40500	30200	3.29	14.50	12.3
2TXFH041AS3+*UY100R9V4	1220	40000	28800	3.28	14.25	12.2
2TXFH041AS3+*UY120R9V5	1210	40000	28600	3.25	14.25	12.3
2TXFH054AS3+*DD100R9V5	1420	42000	32000	3.39	14.50	12.4
2TXFH054AS3+*DD120R9V5	1430	42000	32200	3.36	14.50	12.5
2TXFH054AS3+*DY100R9V4	1230	41000	29800	3.36	14.25	12.2
2TXFH054AS3+*DY120R9V5	1210	41000	29600	3.31	14.50	12.4
2TXFH054AS3+*UD080R9V4	1400	42000	31800	3.39	14.50	12.4
2TXFH054AS3+*UD100R9V5	1470	42000	32400	3.41	14.50	12.3
2TXFH054AS3+*UD120R9V5	1410	42000	32000	3.36	14.50	12.5
2TXFH054AS3+*UD140R9V5	1390	42000	31800	3.36	14.50	12.5
2TXFH054AS3+*UY100R9V4	1230	41000	29800	3.31	14.50	12.4
2TXFH054AS3+*UY120R9V5	1210	41000	29600	3.28	14.50	12.5
2TXFH063AS3+*DD100R9V5	1410	43000	32800	3.44	14.50	12.5
2TXFH063AS3+*DD120R9V5	1410	43500	33200	3.48	14.50	12.5
2TXFH063AS3+*DY100R9V4	1230	42000	30600	3.36	14.50	12.5
2TXFH063AS3+*DY120R9V5	1220	42500	30800	3.40	14.50	12.5
2TXFH063AS3+*UD080R9V4	1400	43000	32800	3.44	14.50	12.5
2TXFH063AS3+*UD100R9V5	1460	43500	33600	3.48	14.50	12.5
2TXFH063AS3+*UD120R9V5	1400	43500	33200	3.48	14.50	12.5
2TXFH063AS3+*UD140R9V5	1380	43000	32600	3.44	14.50	12.5
2TXFH063AS3+*UY100R9V4	1220	42500	30800	3.40	14.50	12.5
2TXFH063AS3+*UY120R9V5	1210	42500	30800	3.40	14.50	12.5
TXC036S3+*UD080R9V4	1400	41000	31000	3.42	14.00	12.0
TXC037S3+*DD100R9V5	1410	41500	31800	3.37	14.50	12.3
TXC037S3+*DY100R9V4	1230	40500	29600	3.32	14.25	12.2
TXC037S3+*UY100R9V4	1220	41000	29800	3.33	14.50	12.3
TXC054S3+*DD100R9V5	1420	40500	30400	3.35	14.00	12.1
TXC054S3+*DY100R9V4	1230	39500	28200	3.32	13.75	11.9
TXC054S3+*UD100R9V5	1470	41000	31000	3.42	14.00	12.0
TXC054S3+*UY100R9V4	1230	40000	28600	3.31	14.00	12.1
TXC065S3+*DD120R9V5	1420	41500	30800	3.32	14.50	12.5
TXC065S3+*DY120R9V5	1210	40500	28600	3.32	14.25	12.2
TXC065S3+*UD120R9V5	1400	41500	30600	3.35	14.50	12.4

### CONDENSING UNIT WITH FURNACE AND COILS

COIL	CFM	TOTAL CAPACITY	SENSIBLE CAPACITY	KW	SEER	EER
TXC065S3+*UD140R9V5	1390	41500	30600	3.35	14.50	12.4
TXC065S3+*UY120R9V5	1210	40500	28600	3.29	14.50	12.3
TXH041A4+TYATXV-3+*DD080R9V3	1340	40000	29600	3.39	13.75	11.8
TXH041A4+TYATXV-3+*DD100R9V5	1410	40500	30400	3.32	14.25	12.2
TXH041A4+TYATXV-3+*DD120R9V5	1410	41000	30800	3.31	14.50	12.4
TXH041A4+TYATXV-3+*DY120R9V5	1220	40000	28800	3.31	14.25	12.1
TXH041A4+TYATXV-3+*UD080R9V3	1420	40000	30200	3.45	13.50	11.6
TXH041A4+TYATXV-3+*UD080R9V4	1400	40500	30400	3.32	14.25	12.2
TXH041A4+TYATXV-3+*UD100R9V5	1460	41000	31200	3.39	14.25	12.1
TXH041A4+TYATXV-3+*UD120R9V5	1390	40500	30400	3.27	14.50	12.4
TXH041A4+TYATXV-3+*UD140R9V5	1380	40500	30200	3.29	14.50	12.3
TXH041A4+TYATXV-3+*UY080R9V3	1200	39500	28200	3.29	14.00	12.0
TXH041A4+TYATXV-3+*UY100R9V4	1220	40000	28800	3.28	14.25	12.2
TXH041A4+TYATXV-3+*UY120R9V5	1210	40000	28600	3.25	14.25	12.3
TXH054A4+TYATXV-3+*DD080R9V3	1340	41500	31000	3.43	14.25	12.1
TXH054A4+TYATXV-3+*DD100R9V5	1420	42000	32000	3.39	14.50	12.4
TXH054A4+TYATXV-3+*DD120R9V5	1430	42500	32600	3.40	14.50	12.5
TXH054A4+TYATXV-3+*DY120R9V5	1210	41000	29600	3.31	14.50	12.4
TXH054A4+TYATXV-3+*UD080R9V3	1420	41500	31600	3.52	13.75	11.8
TXH054A4+TYATXV-3+*UD080R9V4	1400	42000	32000	3.39	14.50	12.4
TXH054A4+TYATXV-3+*UD100R9V5	1470	42000	32400	3.41	14.50	12.3
TXH054A4+TYATXV-3+*UD120R9V5	1410	42000	32000	3.36	14.50	12.5
TXH054A4+TYATXV-3+*UD140R9V5	1390	42000	31800	3.36	14.50	12.5
TXH054A4+TYATXV-3+*UY080R9V3	1220	41000	29800	3.36	14.25	12.2
TXH054A4+TYATXV-3+*UY100R9V4	1230	41000	29800	3.31	14.50	12.4
TXH054A4+TYATXV-3+*UY120R9V5	1210	41000	29600	3.28	14.50	12.5
TXH063P3+*DD080R9V3	1340	42500	32000	3.40	14.50	12.5
TXH063P3+*DD100R9V5	1410	43500	33200	3.48	14.50	12.5
TXH063P3+*DD120R9V5	1410	43500	33200	3.48	14.50	12.5
TXH063P3+*DY100R9V4	1230	42000	30600	3.36	14.50	12.5
TXH063P3+*DY120R9V5	1220	42500	30800	3.40	14.50	12.5
TXH063P3+*UD080R9V3	1420	43000	33000	3.52	14.25	12.2
TXH063P3+*UD100R9V5	1460	43500	33800	3.48	14.50	12.5
TXH063P3+*UD120R9V5	1400	43500	33200	3.48	14.50	12.5
TXH063P3+*UD140R9V5	1380	43500	33000	3.48	14.50	12.5
TXH063P3+*UY080R9V3	1210	42000	30400	3.36	14.50	12.5
TXH063P3+*UY100R9V4	1220	42500	30800	3.40	14.50	12.5
TXH063P3+*UY120R9V5	1210	42500	30800	3.40	14.50	12.5



# System Ratings

## 2TTA3048A3/4

### CONDENSING UNIT WITH COOLING COILS

COIL	CFM	TOTAL CAPACITY	SENSIBLE CAPACITY	KW	SEER	EER
2CXAB048AC3	1220	44000	30600	3.89	13.25	11.3
2CXAC049AC3	1600	46000	34600	4.11	13.25	11.2
2CXAC060AC3	1600	47000	35200	4.09	13.50	11.5
2CXAD050AC3	1600	46000	34800	4.07	13.25	11.3
2CXAD061AC3	1600	47000	35000	4.12	13.50	11.4
2CXCB048AC3	1220	44000	30600	3.89	13.25	11.3
2CXCC049AC3	1600	46000	34600	4.11	13.25	11.2
2CXCC060AC3	1600	47000	35200	4.09	13.50	11.5
2CXCD050AC3	1600	46000	34800	4.07	13.25	11.3
2CXCD061AC3	1600	47000	35000	4.12	13.50	11.4
2TXCB048AC3	1220	44000	30600	3.89	13.25	11.3
2TXCC049AC3[T]	1600	46000	32600	4.04	13.25	11.4
2TXCC054AS3	1600	45500	33800	4.06	13.00	11.2
2TXCC060AC3	1600	47000	35000	4.12	13.50	11.4
2TXCD050AC3	1600	46000	34800	4.07	13.25	11.3
2TXCD061AC3	1600	47000	35000	4.12	13.50	11.4
2TXCD065AS3	1600	46500	34200	4.08	13.25	11.4
2TXFH054AS3	1600	47500	36000	4.13	13.50	11.5
2TXFH063AS3	1600	48500	37000	4.11	14.00	11.8
TXA048C4+TYATXV-3	1350	44500	31400	3.97	13.00	11.2
TXA049C4+TYATXV-3	1600	45000	33200	4.05	13.00	11.1
TXA050C4+TYATXV-3	1600	45500	33800	4.10	13.00	11.1
TXA061C5+BAY24X045	1600	46500	34600	4.08	13.25	11.4
TXC048C4+TYATXV-3	1350	44500	31400	3.97	13.00	11.2
TXC049C4+TYATXV-3	1600	45000	33200	4.05	13.00	11.1
TXC050C4+TYATXV-3	1600	45500	33800	4.10	13.00	11.1
TXC054S3	1600	45500	33800	4.06	13.00	11.2
TXC060C5+BAY24X045	1600	46000	34000	4.07	13.25	11.3
TXC061C5+BAY24X045	1600	46500	34600	4.08	13.25	11.4
TXC065S3	1600	46500	34200	4.08	13.25	11.4
TXH054A4+TYATXV-3	1600	47500	36000	4.09	13.50	11.6

### CONDENSING UNIT WITH AIR HANDLERS

COIL	CFM	TOTAL CAPACITY	SENSIBLE CAPACITY	KW	SEER	EER
2TEC3F48A1	1600	47000	35800	4.16	13.25	11.3
2TEP3F48B1	1600	47500	36200	4.09	13.75	11.6
2TEP3F63B1	1600	46500	34800	4.12	13.25	11.3
2TGB3F48A1	1600	47000	35800	4.16	13.25	11.3
TWE042P13	1600	45000	33600	4.13	12.75	10.9
TWE048C14+TYATXV-3	1600	46000	34800	4.14	13.00	11.1
TWE048P13	1600	48000	36600	4.17	13.50	11.5
TWE049E13	1600	47500	35200	4.03	14.00	11.8
TWE060P13	1600	48000	36600	4.17	13.50	11.5
TWE063P13	1660	47500	36000	4.32	13.00	11.0
TWE065E13	1640	47500	35400	3.99	14.00	11.9
TWG048A14+TYATXV-3	1600	45000	33800	4.09	12.75	11.0

### CONDENSING UNIT WITH FURNACE AND COILS

COIL	CFM	TOTAL CAPACITY	SENSIBLE CAPACITY	KW	SEER	EER
2CXAB048AC3+*UD080R9V4	1590	46000	34600	4.07	13.25	11.3
2CXAC049AC3+*DY100R9V4	1450	45000	32800	3.98	13.25	11.3
2CXAC049AC3+*UY100R9V4	1430	45500	33000	3.96	13.50	11.5
2CXAC060AC3+*DY120R9V4	1450	46500	33800	4.01	13.75	11.6
2CXAC060AC3+*UY100R9V4	1430	46500	33600	3.94	13.75	11.8
2CXAD050AC3+*DD120R9V5	1630	46500	35400	3.91	14.00	11.9
2CXAD050AC3+*DY120R9V5	1430	45500	33200	3.89	13.75	11.7
2CXAD050AC3+*UD120R9V5	1630	46500	35400	3.94	14.00	11.8
2CXAD050AC3+*UD140R9V5	1590	46500	35000	3.94	14.00	11.8
2CXAD050AC3+*UY120R9V5	1420	45500	33000	3.86	13.75	11.8
2CXAD061AC3+*DD120R9V5	1630	47500	35600	3.96	14.25	12.0
2CXAD061AC3+*DY120R9V5	1430	46500	33400	3.94	14.00	11.8
2CXAD061AC3+*UD120R9V5	1630	47500	35600	3.99	14.00	11.9
2CXAD061AC3+*UD140R9V5	1590	47500	35200	3.96	14.00	12.0
2CXAD061AC3+*UY120R9V5	1420	46500	33200	3.91	14.00	11.9
2CXCB048AC3+*UD080R9V4	1590	46000	34600	4.07	13.25	11.3
2CXCC049AC3+*DY100R9V4	1450	45000	32800	3.98	13.25	11.3
2CXCC049AC3+*UY100R9V4	1430	45500	33000	3.96	13.50	11.5
2CXCC060AC3+*DY100R9V4	1450	46500	33800	4.01	13.75	11.6
2CXCC060AC3+*UY100R9V4	1430	46500	33600	3.94	13.75	11.8
2CXCD050AC3+*DD120R9V5	1630	46500	35400	3.91	14.00	11.9
2CXCD050AC3+*DY120R9V5	1430	45500	33200	3.89	13.75	11.7
2CXCD050AC3+*UD120R9V5	1630	46500	35400	3.94	14.00	11.8
2CXCD050AC3+*UD140R9V5	1590	46500	35000	3.94	14.00	11.8
2CXCD050AC3+*UY120R9V5	1420	45500	33000	3.86	13.75	11.8
2CXCD061AC3+*DD120R9V5	1630	47500	35600	3.96	14.25	12.0
2CXCD061AC3+*DY120R9V5	1430	46500	33400	3.94	14.00	11.8
2CXCD061AC3+*UD120R9V5	1630	47500	35600	3.99	14.00	11.9
2CXCD061AC3+*UD140R9V5	1590	47500	35200	3.96	14.00	12.0
2CXCD061AC3+*UY120R9V5	1420	46500	33200	3.91	14.00	11.9
2TXCB048AC3+*UD080R9V4	1590	46000	34600	4.07	13.25	11.3
2TXCC049AC3+*DY100R9V4	1450	45000	32800	3.98	13.25	11.3
2TXCC049AC3+*UY100R9V4	1430	45500	33000	3.96	13.50	11.5
2TXCC054AS3+*DD100R9V5	1620	46000	34400	4.00	13.50	11.5
2TXCC054AS3+*DY100R9V4	1450	45000	32400	3.98	13.25	11.3
2TXCC054AS3+*UD100R9V5	1670	46000	34800	4.07	13.25	11.3
2TXCC054AS3+*UY100R9V4	1430	45000	32400	3.91	13.50	11.5
2TXCC060AC3+*DY100R9V4	1450	46000	33200	4.00	13.50	11.5
2TXCC060AC3+*UY100R9V4	1430	46500	33400	3.97	13.75	11.7
2TXCD050AC3+*DD120R9V5	1630	46500	35400	3.91	14.00	11.9
2TXCD050AC3+*DY120R9V5	1430	45500	33200	3.89	13.75	11.7
2TXCD050AC3+*UD120R9V5	1630	46500	35400	3.94	14.00	11.8
2TXCD050AC3+*UD140R9V5	1590	46500	35000	3.94	14.00	11.8
2TXCD050AC3+*UY120R9V5	1420	45500	33000	3.86	13.75	11.8
2TXCD061AC3+*DD120R9V5	1630	47500	35600	3.96	14.25	12.0
2TXCD061AC3+*DY120R9V5	1430	46500	33400	3.94	14.00	11.8
2TXCD061AC3+*UD120R9V5	1630	47500	35600	3.99	14.00	11.9
2TXCD061AC3+*UD140R9V5	1590	47500	35200	3.96	14.00	12.0
2TXCD061AC3+*UY120R9V5	1420	46500	33200	3.91	14.00	11.9
2TXCD065AS3+*DD120R9V5	1630	47000	34800	3.92	14.25	12.0



# System Ratings

## 2TTA3048A3/4

### CONDENSING UNIT WITH FURNACE AND COILS

COIL	CFM	TOTAL CAPACITY	SENSIBLE CAPACITY	KW	SEER	EER
2TXCD065AS3+*DY120R9V5	1430	46000	32600	3.90	13.75	11.8
2TXCD065AS3+*UD120R9V5	1630	47000	34800	3.95	14.00	11.9
2TXCD065AS3+*UD140R9V5	1590	47000	34400	3.95	14.00	11.9
2TXCD065AS3+*UY120R9V5	1420	46000	32600	3.90	14.00	11.8
2TXFH054AS3+*DD100R9V5	1620	47500	36200	4.03	14.00	11.8
2TXFH054AS3+*DD120R9V5	1630	48000	36600	4.00	14.25	12.0
2TXFH054AS3+*DY100R9V4	1450	47000	34400	4.05	13.75	11.6
2TXFH054AS3+*DY120R9V5	1430	47000	34400	3.98	14.00	11.8
2TXFH054AS3+*UD080R9V4	1590	47500	36000	4.03	14.00	11.8
2TXFH054AS3+*UD100R9V5	1670	47500	36600	4.06	13.75	11.7
2TXFH054AS3+*UD120R9V5	1630	48000	36600	4.03	14.00	11.9
2TXFH054AS3+*UD140R9V5	1590	47500	36000	3.99	14.00	11.9
2TXFH054AS3+*UY100R9V4	1430	47000	34400	3.98	14.00	11.8
2TXFH054AS3+*UY120R9V5	1430	47000	34400	3.95	14.00	11.9
2TXFH063AS3+*DD100R9V5	1620	49000	37600	4.02	14.50	12.2
2TXFH063AS3+*DD120R9V5	1630	49500	38000	3.96	14.50	12.5
2TXFH063AS3+*DY100R9V4	1450	48000	35400	4.00	14.25	12.0
2TXFH063AS3+*DY120R9V5	1420	48000	35000	3.93	14.50	12.2
2TXFH063AS3+*UD080R9V4	1590	49000	37200	4.02	14.50	12.2
2TXFH063AS3+*UD100R9V5	1670	49000	38000	4.05	14.25	12.1
2TXFH063AS3+*UD120R9V5	1620	49000	37600	3.98	14.50	12.3
2TXFH063AS3+*UD140R9V5	1590	49000	37200	3.95	14.50	12.4
2TXFH063AS3+*UY100R9V4	1420	48000	35000	3.93	14.50	12.2
2TXFH063AS3+*UY120R9V5	1420	48500	35400	3.94	14.50	12.3
TXC054S3+*DD100R9V5	1620	46000	34400	4.00	13.50	11.5
TXC054S3+*DY100R9V4	1450	45000	32400	3.98	13.25	11.3
TXC054S3+*UD100R9V5	1670	46000	34800	4.07	13.25	11.3

### CONDENSING UNIT WITH FURNACE AND COILS

COIL	CFM	TOTAL CAPACITY	SENSIBLE CAPACITY	KW	SEER	EER
TXC054S3+*UD100R9V5	1670	46000	34800	4.07	13.25	11.3
TXC054S3+*UY100R9V4	1430	45000	32400	3.91	13.50	11.5
TXC065S3+*DD120R9V5	1630	47000	34800	3.92	14.25	12.0
TXC065S3+*DY120R9V5	1430	46000	32600	3.90	13.75	11.8
TXC065S3+*UD120R9V5	1630	47000	34800	3.95	14.00	11.9
TXC065S3+*UD140R9V5	1590	47000	34400	3.95	14.00	11.9
TXC065S3+*UY120R9V5	1420	46000	32600	3.90	14.00	11.8
TXH054A4+*TYATXV-3+*DD100R9V5	1620	47500	36200	4.03	14.00	11.8
TXH054A4+*TYATXV-3+*DD120R9V5	1630	48000	36600	4.00	14.25	12.0
TXH054A4+*TYATXV-3+*DY100R9V4	1450	47000	34400	4.05	13.75	11.6
TXH054A4+*TYATXV-3+*DY120R9V5	1430	47000	34400	3.95	14.00	11.9
TXH054A4+*TYATXV-3+*UD080R9V4	1590	47500	36000	4.03	14.00	11.8
TXH054A4+*TYATXV-3+*UD100R9V5	1670	48000	37000	4.10	13.75	11.7
TXH054A4+*TYATXV-3+*UD120R9V5	1630	48000	36600	4.03	14.00	11.9
TXH054A4+*TYATXV-3+*UD140R9V5	1590	47500	36000	3.96	14.00	12.0
TXH054A4+*TYATXV-3+*UY100R9V4	1430	47000	34400	3.98	14.00	11.8
TXH054A4+*TYATXV-3+*UY120R9V5	1430	47000	34400	3.92	14.00	12.0
TXH063P3+*DD100R9V5	1620	49000	37600	4.02	14.50	12.2
TXH063P3+*DD120R9V5	1630	49500	38000	3.96	14.50	12.5
TXH063P3+*DY100R9V4	1450	48000	35400	4.00	14.25	12.0
TXH063P3+*DY120R9V5	1420	48500	35400	3.98	14.50	12.2
TXH063P3+*UD100R9V5	1670	49500	38500	4.09	14.50	12.1
TXH063P3+*UD120R9V5	1620	49500	38000	4.02	14.50	12.3
TXH063P3+*UD140R9V5	1590	49000	37200	3.95	14.50	12.4
TXH063P3+*UY100R9V4	1420	48000	35000	3.93	14.50	12.2
TXH063P3+*UY120R9V5	1420	48500	35400	3.94	14.50	12.3





# System Ratings

## 2TTA3060A3/4

### CONDENSING UNIT WITH COOLING COILS

COIL	CFM	TOTAL CAPACITY	SENSIBLE CAPACITY	KW	SEER	EER
2CXAC060AC3	1670	57500	40500	5.18	13.25	11.1
2CXAD061AC3	1990	58500	43500	5.32	13.00	11.0
2CXCC060AC3	1670	57500	40500	5.18	13.25	11.1
2CXCD061AC3	1990	58500	43500	5.32	13.00	11.0
2TXCC060AC3	1670	57000	40000	5.18	13.00	11.0
2TXCD061AC3[T]	1900	58500	42000	5.27	13.25	11.1
2TXCD065AS3	2000	58500	42500	5.32	13.00	11.0
2TXFH054AS3	1660	58000	41000	5.18	13.25	11.2
2TXFH063AS3	2000	61000	46500	5.40	13.50	11.3
TXA060C5+BAY24X045	1700	56500	39500	5.18	12.75	10.9
TXA061C5+BAY24X045	1860	57500	41500	5.23	13.00	11.0
TXC060C5+BAY24X045	1700	56500	39500	5.18	12.75	10.9
TXC061C5+BAY24X045	1860	57500	41500	5.23	13.00	11.0
TXC065S3	2000	58500	42500	5.32	13.00	11.0
TXH063P3	2000	61000	46500	5.40	13.50	11.3

### CONDENSING UNIT WITH AIR HANDLERS

COIL	CFM	TOTAL CAPACITY	SENSIBLE CAPACITY	KW	SEER	EER
2TEC3F60A1	1810	58000	41500	5.04	13.50	11.5
2TEP3F48B1	1750	58500	42500	5.27	13.00	11.1
2TEP3F63B1	2000	58000	43000	5.52	12.50	10.5
TWE049E13	2080	59000	44500	5.46	12.75	10.8
TWE060A+BAY24X045	2000	56500	41000	5.23	12.75	10.8
TWE060P13	1750	59000	43000	5.27	13.25	11.2
TWE063P13	2000	58500	43500	5.63	12.25	10.4
TWE065E13	1815	58000	41500	5.13	13.50	11.3

### CONDENSING UNIT WITH FURNACE AND COILS

COIL	CFM	TOTAL CAPACITY	SENSIBLE CAPACITY	KW	SEER	EER
2CXAD061AC3+*DD120R9V5	1630	57500	40000	5.00	13.75	11.5
2CXAD061AC3+*DY120R9V5	1645	57000	39500	5.18	13.00	11.0
2CXAD061AC3+*UD120R9V5	1625	57500	40000	5.04	13.50	11.4
2CXAD061AC3+*UD140R9V5	1595	57000	39500	5.00	13.50	11.4
2CXAD061AC3+*UY120R9V5	1680	57500	40500	5.18	13.25	11.1
2CXCD061AC3+*DD120R9V5	1630	57500	40000	5.00	13.75	11.5
2CXCD061AC3+*DY120R9V5	1645	57000	39500	5.18	13.00	11.0
2CXCD061AC3+*UD120R9V5	1625	57500	40000	5.04	13.50	11.4
2CXCD061AC3+*UD140R9V5	1595	57000	39500	5.00	13.50	11.4
2CXCD061AC3+*UY120R9V5	1680	57500	40500	5.18	13.25	11.1
2TXCD061AC3+*DD120R9V5	1630	57500	40000	5.00	13.75	11.5
2TXCD061AC3+*DY120R9V5	1645	57000	39500	5.18	13.00	11.0
2TXCD061AC3+*UD120R9V5	1625	57500	40000	5.04	13.50	11.4
2TXCD061AC3+*UD140R9V5	1595	57000	39500	5.00	13.50	11.4
2TXCD061AC3+*UY120R9V5	1680	57500	40500	5.18	13.25	11.1
2TXCD065AS3+*DD120R9V5	2020	58500	43000	5.37	12.75	10.9
2TXCD065AS3+*DY120R9V5	1730	57000	40000	5.28	12.75	10.8
2TXCD065AS3+*UD120R9V5	1970	58000	42000	5.37	12.75	10.8
2TXCD065AS3+*UD140R9V5	1960	58000	42000	5.37	12.75	10.8
2TXCD065AS3+*UY120R9V5	1790	57500	40500	5.28	12.75	10.9
2TXFH054AS3+*DD100R9V5	1625	58000	41000	5.09	13.50	11.4
2TXFH054AS3+*DD120R9V5	1635	58500	41500	5.04	13.75	11.6
2TXFH054AS3+*DY120R9V5	1625	57500	40500	5.18	13.00	11.1
2TXFH054AS3+*UD100R9V5	1670	58000	41000	5.13	13.50	11.3
2TXFH054AS3+*UD120R9V5	1630	58000	41000	5.04	13.75	11.5
2TXFH054AS3+*UD140R9V5	1590	58000	40500	5.04	13.75	11.5
2TXFH054AS3+*UY120R9V5	1670	58000	41000	5.18	13.25	11.2
2TXFH063AS3+*DD100R9V5	1625	59500	42000	5.09	14.00	11.7
2TXFH063AS3+*DD120R9V5	1625	60000	42500	5.04	14.25	11.9
2TXFH063AS3+*DY120R9V5	1650	59500	42500	5.22	13.50	11.4
2TXFH063AS3+*UD100R9V5	1675	60000	43000	5.13	13.75	11.7
2TXFH063AS3+*UD120R9V5	1620	60000	42500	5.08	14.00	11.8
2TXFH063AS3+*UD140R9V5	1595	59500	42000	5.00	14.00	11.9
2TXFH063AS3+*UY120R9V5	1680	59500	42500	5.17	13.75	11.5
TXC065S3+*DD120R9V5	2020	58500	43000	5.37	12.75	10.9
TXC065S3+*DY120R9V5	1730	57000	40000	5.28	12.75	10.8
TXC065S3+*UD120R9V5	1970	58000	42000	5.37	12.75	10.8
TXC065S3+*UD140R9V5	1960	58000	42000	5.37	12.75	10.8
TXC065S3+*UY120R9V5	1790	57500	40500	5.28	12.75	10.9



# Performance Data Cooling

## 2TTA3030A3/4

### 2TTA3030A3/4 WITH 2TXCB031AC3 AT 1000 CFM

O.D. D.B.	I.D. W.B.	TOT. CAP.	SENS. CAP. AT ENTERING D.B. TEMP.				TOTAL KW
			72	75	78	80	
85	59	25.3	16.5	19.9	23.2	25.3	2.16
	63	26.3	15.2	18.2	21.3	23.2	2.17
	67	28.4	13.1	15.7	18.3	20.0	2.21
	71	30.6	10.8	13.0	15.2	16.6	2.23
95	59	24.0	16.2	19.5	22.7	24.0	2.34
	63	25.0	14.9	17.9	20.9	22.8	2.35
	67	27.0	12.8	15.4	18.0	19.7	2.39
	71	29.1	10.6	12.8	14.9	16.3	2.41
105	59	22.7	15.8	19.0	22.2	22.7	2.51
	63	23.7	14.5	17.5	20.4	22.3	2.53
	67	25.5	12.5	15.1	17.6	19.2	2.57
	71	27.6	10.4	12.5	14.6	15.9	2.59
115	59	21.5	15.4	18.5	21.5	21.5	2.69
	63	22.4	14.1	17.0	19.8	21.7	2.71
	67	24.1	12.2	14.7	17.1	18.7	2.75
	71	26.0	10.1	12.2	14.2	15.5	2.78

### CORRECTION FACTORS FOR OTHER AIRFLOWS (MULTIPLY DATA BY FACTOR)

AIRFLOW	TOTAL CAPACITY	SENSIBLE CAPACITY
LOW	0.98	0.98
HIGH	1.02	1.02

NOTE: ALL TABLES ABOVE ARE AT ARI RATING CONDITIONS RATED WITH 25 FEET OF REFRIGERANT LINES.  
 \* DRY COIL CONDITION (TOTAL CAPACITY = SENSIBLE CAPACITY)  
 TOTAL CAPACITY, COMP. KW AND APP. DEW PT. ARE VALID ONLY FOR WET COIL. ALL TEMPERATURES IN DEGREES F.

### CORRECTION FACTORS FOR OTHER COMBINATIONS (MULTIPLY DATA BY FACTOR)

INDOOR MODEL	CFM	MBTUH TOT	MBTUH SEN	SYST KW
2CXAB031AC3	NOMINAL	1000	1.00	1.00
	LOW	875	0.98	0.98
	HIGH	1125	1.02	1.01
2CXAB031AC3+*DD060R9V3	NOMINAL	1000	1.00	1.00
	LOW	875	0.98	0.98
	HIGH	1125	1.02	1.01
2CXAB031AC3+*DD080R9V3	NOMINAL	1000	1.00	1.00
	LOW	831	0.98	0.98
	HIGH	1069	1.02	1.01
2CXAB031AC3+*DY060R9V3	NOMINAL	1000	1.00	1.00
	LOW	761	0.98	0.98
	HIGH	979	1.02	1.01
2CXAB031AC3+*DY080R9V3	NOMINAL	1000	1.00	1.00
	LOW	779	0.98	0.98
	HIGH	1001	1.02	1.01
2CXAB031AC3+*UD060R9V3	NOMINAL	1000	1.00	1.00
	LOW	910	0.98	0.98
	HIGH	1170	1.02	1.01
2CXAB031AC3+*UD080R9V3	NOMINAL	1000	1.00	1.00
	LOW	875	0.98	0.98
	HIGH	1125	1.02	1.01
2CXAB031AC3+*UD080R9V4	NOMINAL	1000	1.00	1.00
	LOW	875	0.98	0.98
	HIGH	1125	1.02	1.01
2CXAB031AC3+*UD100R9V3	NOMINAL	1000	1.00	1.00
	LOW	910	0.98	0.98
	HIGH	1170	1.02	1.01
2CXAB031AC3+*UY060R9V3	NOMINAL	1000	1.00	1.00
	LOW	770	0.98	0.98
	HIGH	990	1.02	1.01
2CXAB031AC3+*UY080R9V3	NOMINAL	1000	1.00	1.00
	LOW	753	0.98	0.98
	HIGH	968	1.02	1.01

### CORRECTION FACTORS FOR OTHER COMBINATIONS (MULTIPLY DATA BY FACTOR)

INDOOR MODEL	CFM	MBTUH TOT	MBTUH SEN	SYST KW
2CXAB036AC3	NOMINAL	1000	1.00	1.00
	LOW	875	0.98	0.98
	HIGH	1125	1.02	1.01
2CXAB036AC3+*DD060R9V3	NOMINAL	1000	1.00	1.00
	LOW	875	0.98	0.98
	HIGH	1125	1.02	1.01
2CXAB036AC3+*DD080R9V3	NOMINAL	1000	1.00	1.00
	LOW	831	0.98	0.98
	HIGH	1069	1.02	1.01
2CXAB036AC3+*DY060R9V3	NOMINAL	1000	1.00	1.00
	LOW	761	0.98	0.98
	HIGH	979	1.02	1.01
2CXAB036AC3+*DY080R9V3	NOMINAL	1000	1.00	1.00
	LOW	779	0.98	0.98
	HIGH	1001	1.02	1.01
2CXAB036AC3+*UD060R9V3	NOMINAL	1000	1.00	1.00
	LOW	910	0.98	0.98
	HIGH	1170	1.02	1.01
2CXAB036AC3+*UD080R9V3	NOMINAL	1000	1.00	1.00
	LOW	875	0.98	0.98
	HIGH	1125	1.02	1.01
2CXAB036AC3+*UD080R9V4	NOMINAL	1000	1.00	1.00
	LOW	875	0.98	0.98
	HIGH	1125	1.02	1.01
2CXAB036AC3+*UD100R9V3	NOMINAL	1000	1.00	1.00
	LOW	910	0.98	0.98
	HIGH	1170	1.02	1.01
2CXAB036AC3+*UY060R9V3	NOMINAL	1000	1.00	1.00
	LOW	770	0.98	0.98
	HIGH	990	1.02	1.01
2CXAB036AC3+*UY080R9V3	NOMINAL	1000	1.00	1.00
	LOW	753	0.98	0.98
	HIGH	968	1.02	1.01
2CXAB042AC3	NOMINAL	1000	1.00	1.00
	LOW	875	0.98	0.98
	HIGH	1125	1.02	1.01
2CXAB042AC3+*DD060R9V3	NOMINAL	1000	1.00	1.00
	LOW	875	0.98	0.98
	HIGH	1125	1.02	1.01
2CXAB042AC3+*DD080R9V3	NOMINAL	1000	1.00	1.00
	LOW	831	0.98	0.98
	HIGH	1069	1.02	1.01
2CXAB042AC3+*DY060R9V3	NOMINAL	1000	1.00	1.00
	LOW	761	0.98	0.98
	HIGH	979	1.02	1.01
2CXAB042AC3+*DY080R9V3	NOMINAL	1000	1.00	1.00
	LOW	779	0.98	0.98
	HIGH	1001	1.02	1.01
2CXAB042AC3+*UD060R9V3	NOMINAL	1000	1.00	1.00
	LOW	910	0.98	0.98
	HIGH	1170	1.02	1.01
2CXAB042AC3+*UD080R9V3	NOMINAL	1000	1.00	1.00
	LOW	875	0.98	0.98
	HIGH	1125	1.02	1.01
2CXAB042AC3+*UD080R9V4	NOMINAL	1000	1.00	1.00
	LOW	875	0.98	0.98
	HIGH	1125	1.02	1.01
2CXAB042AC3+*UD100R9V3	NOMINAL	1000	1.00	1.00
	LOW	910	0.98	0.98
	HIGH	1170	1.02	1.01
2CXAB042AC3+*UY060R9V3	NOMINAL	1000	1.00	1.00
	LOW	770	0.98	0.98
	HIGH	990	1.02	1.01



# Performance Data Cooling

## 2TTA3030A3/4

**CORRECTION FACTORS FOR OTHER COMBINATIONS (MULTIPLY DATA BY FACTOR)**

INDOOR MODEL		CFM	MBTUH TOT	MBTUH SEN	SYST KW
2CXAB042AC3+*UY080R9V3	NOMINAL	1000	1.00	1.00	1.00
	LOW	753	0.98	0.98	0.99
	HIGH	968	1.02	1.02	1.01
2CXAC037AC3	NOMINAL	1000	1.00	1.00	1.00
	LOW	875	0.98	0.98	0.99
	HIGH	1125	1.02	1.02	1.01
2CXAC037AC3+*DY100R9V4	NOMINAL	1000	1.00	1.00	1.00
	LOW	928	0.98	0.98	0.99
	HIGH	1193	1.02	1.02	1.01
2CXAC037AC3+*UY100R9V4	NOMINAL	1000	1.00	1.00	1.00
	LOW	919	0.98	0.98	0.99
	HIGH	1181	1.02	1.02	1.01
2CXC031AC3	NOMINAL	1000	1.00	1.00	1.00
	LOW	875	0.98	0.98	0.99
	HIGH	1125	1.02	1.02	1.01
2CXC031AC3+*DD060R9V3	NOMINAL	1000	1.00	1.00	1.00
	LOW	875	0.98	0.98	0.99
	HIGH	1125	1.02	1.02	1.01
2CXC031AC3+*DD080R9V3	NOMINAL	1000	1.00	1.00	1.00
	LOW	831	0.98	0.98	0.99
	HIGH	1069	1.02	1.02	1.01
2CXC031AC3+*DY060R9V3	NOMINAL	1000	1.00	1.00	1.00
	LOW	761	0.98	0.98	0.99
	HIGH	979	1.02	1.02	1.01
2CXC031AC3+*DY080R9V3	NOMINAL	1000	1.00	1.00	1.00
	LOW	779	0.98	0.98	0.99
	HIGH	1001	1.02	1.02	1.01
2CXC031AC3+*UD060R9V3	NOMINAL	1000	1.00	1.00	1.00
	LOW	910	0.98	0.98	0.99
	HIGH	1170	1.02	1.02	1.01
2CXC031AC3+*UD080R9V3	NOMINAL	1000	1.00	1.00	1.00
	LOW	875	0.98	0.98	0.99
	HIGH	1125	1.02	1.02	1.01
2CXC031AC3+*UD080R9V4	NOMINAL	1000	1.00	1.00	1.00
	LOW	875	0.98	0.98	0.99
	HIGH	1125	1.02	1.02	1.01
2CXC031AC3+*UD100R9V3	NOMINAL	1000	1.00	1.00	1.00
	LOW	910	0.98	0.98	0.99
	HIGH	1170	1.02	1.02	1.01
2CXC031AC3+*UY060R9V3	NOMINAL	1000	1.00	1.00	1.00
	LOW	770	0.98	0.98	0.99
	HIGH	990	1.02	1.02	1.01
2CXC031AC3+*UY080R9V3	NOMINAL	1000	1.00	1.00	1.00
	LOW	753	0.98	0.98	0.99
	HIGH	968	1.02	1.02	1.01
2CXC036AC3	NOMINAL	1000	1.00	1.00	1.00
	LOW	875	0.98	0.98	0.99
	HIGH	1125	1.02	1.02	1.01
2CXC036AC3+*DD060R9V3	NOMINAL	1000	1.00	1.00	1.00
	LOW	875	0.98	0.98	0.99
	HIGH	1125	1.02	1.02	1.01
2CXC036AC3+*DD080R9V3	NOMINAL	1000	1.00	1.00	1.00
	LOW	831	0.98	0.98	0.99
	HIGH	1069	1.02	1.02	1.01
2CXC036AC3+*DY060R9V3	NOMINAL	1000	1.00	1.00	1.00
	LOW	761	0.98	0.98	0.99
	HIGH	979	1.02	1.02	1.01
2CXC036AC3+*DY080R9V3	NOMINAL	1000	1.00	1.00	1.00
	LOW	779	0.98	0.98	0.99
	HIGH	1001	1.02	1.02	1.01
2CXC036AC3+*UD060R9V3	NOMINAL	1000	1.00	1.00	1.00
	LOW	910	0.98	0.98	0.99
	HIGH	1170	1.02	1.02	1.01

**CORRECTION FACTORS FOR OTHER COMBINATIONS (MULTIPLY DATA BY FACTOR)**

INDOOR MODEL		CFM	MBTUH TOT	MBTUH SEN	SYST KW
2CXC036AC3+*UD080R9V3	NOMINAL	1000	1.00	1.00	1.00
	LOW	875	0.98	0.98	0.99
	HIGH	1125	1.02	1.02	1.01
2CXC036AC3+*UD080R9V4	NOMINAL	1000	1.00	1.00	1.00
	LOW	875	0.98	0.98	0.99
	HIGH	1125	1.02	1.02	1.01
2CXC036AC3+*UD100R9V3	NOMINAL	1000	1.00	1.00	1.00
	LOW	910	0.98	0.98	0.99
	HIGH	1170	1.02	1.02	1.01
2CXC036AC3+*UY060R9V3	NOMINAL	1000	1.00	1.00	1.00
	LOW	770	0.98	0.98	0.99
	HIGH	990	1.02	1.02	1.01
2CXC036AC3+*UY080R9V3	NOMINAL	1000	1.00	1.00	1.00
	LOW	753	0.98	0.98	0.99
	HIGH	968	1.02	1.02	1.01
2CXC042AC3	NOMINAL	1000	1.00	1.00	1.00
	LOW	875	0.98	0.98	0.99
	HIGH	1125	1.02	1.02	1.01
2CXC042AC3+*DD060R9V3	NOMINAL	1000	1.00	1.00	1.00
	LOW	875	0.98	0.98	0.99
	HIGH	1125	1.02	1.02	1.01
2CXC042AC3+*DD080R9V3	NOMINAL	1000	1.00	1.00	1.00
	LOW	831	0.98	0.98	0.99
	HIGH	1069	1.02	1.02	1.01
2CXC042AC3+*DY060R9V3	NOMINAL	1000	1.00	1.00	1.00
	LOW	761	0.98	0.98	0.99
	HIGH	979	1.02	1.02	1.01
2CXC042AC3+*DY080R9V3	NOMINAL	1000	1.00	1.00	1.00
	LOW	779	0.98	0.98	0.99
	HIGH	1001	1.02	1.02	1.01
2CXC042AC3+*UD060R9V3	NOMINAL	1000	1.00	1.00	1.00
	LOW	910	0.98	0.98	0.99
	HIGH	1170	1.02	1.02	1.01
2CXC042AC3+*UD080R9V3	NOMINAL	1000	1.00	1.00	1.00
	LOW	875	0.98	0.98	0.99
	HIGH	1125	1.02	1.02	1.01
2CXC042AC3+*UD080R9V4	NOMINAL	1000	1.00	1.00	1.00
	LOW	875	0.98	0.98	0.99
	HIGH	1125	1.02	1.02	1.01
2CXC042AC3+*UD100R9V3	NOMINAL	1000	1.00	1.00	1.00
	LOW	910	0.98	0.98	0.99
	HIGH	1170	1.02	1.02	1.01
2CXC042AC3+*UY060R9V3	NOMINAL	1000	1.00	1.00	1.00
	LOW	770	0.98	0.98	0.99
	HIGH	990	1.02	1.02	1.01
2CXC042AC3+*UY080R9V3	NOMINAL	1000	1.00	1.00	1.00
	LOW	753	0.98	0.98	0.99
	HIGH	968	1.02	1.02	1.01
2CXC037AC3	NOMINAL	1000	1.00	1.00	1.00
	LOW	875	0.98	0.98	0.99
	HIGH	1125	1.02	1.02	1.01
2CXC037AC3+*DY100R9V4	NOMINAL	1000	1.00	1.00	1.00
	LOW	928	0.98	0.98	0.99
	HIGH	1193	1.02	1.02	1.01
2CXC037AC3+*UY100R9V4	NOMINAL	1000	1.00	1.00	1.00
	LOW	919	0.98	0.98	0.99
	HIGH	1181	1.02	1.02	1.01
2TEC3F30A1	NOMINAL	1000	1.00	1.00	1.00
	LOW	875	0.98	0.98	0.99
	HIGH	1125	1.02	1.02	1.01
2TEC3F36A1	NOMINAL	1000	1.00	1.00	1.00
	LOW	875	0.98	0.98	0.99
	HIGH	1125	1.02	1.02	1.01



# Performance Data Cooling

## 2TTA3030A3/4

### CORRECTION FACTORS FOR OTHER COMBINATIONS (MULTIPLY DATA BY FACTOR)

INDOOR MODEL		CFM	MBTUH TOT	MBTUH SEN	SYST KW
2TFE3F25B1	NOMINAL	1000	1.00	1.00	1.00
	LOW	718	0.98	0.98	0.99
	HIGH	923	1.02	1.02	1.01
2TXCB025AS3	NOMINAL	1000	1.00	1.00	1.00
	LOW	788	0.98	0.98	0.99
	HIGH	1013	1.02	1.02	1.01
2TXCB025AS3+*DD060R9V3	NOMINAL	1000	1.00	1.00	1.00
	LOW	858	0.98	0.98	0.99
	HIGH	1103	1.02	1.02	1.01
2TXCB025AS3+*DD080R9V3	NOMINAL	1000	1.00	1.00	1.00
	LOW	823	0.98	0.98	0.99
	HIGH	1058	1.02	1.02	1.01
2TXCB025AS3+*DY060R9V3	NOMINAL	1000	1.00	1.00	1.00
	LOW	770	0.98	0.98	0.99
	HIGH	990	1.02	1.02	1.01
2TXCB025AS3+*DY080R9V3	NOMINAL	1000	1.00	1.00	1.00
	LOW	779	0.98	0.98	0.99
	HIGH	1001	1.02	1.02	1.01
2TXCB025AS3+*UD060R9V3	NOMINAL	1000	1.00	1.00	1.00
	LOW	858	0.98	0.98	0.99
	HIGH	1103	1.02	1.02	1.01
2TXCB025AS3+*UD080R9V3	NOMINAL	1000	1.00	1.00	1.00
	LOW	858	0.98	0.98	0.99
	HIGH	1103	1.02	1.02	1.01
2TXCB025AS3+*UD080R9V4	NOMINAL	1000	1.00	1.00	1.00
	LOW	858	0.98	0.98	0.99
	HIGH	1103	1.02	1.02	1.01
2TXCB025AS3+*UD100R9V3	NOMINAL	1000	1.00	1.00	1.00
	LOW	718	0.98	0.98	0.99
	HIGH	923	1.02	1.02	1.01
2TXCB025AS3+*UY060R9V3	NOMINAL	1000	1.00	1.00	1.00
	LOW	779	0.98	0.98	0.99
	HIGH	1001	1.02	1.02	1.01
2TXCB025AS3+*UY080R9V3	NOMINAL	1000	1.00	1.00	1.00
	LOW	753	0.98	0.98	0.99
	HIGH	968	1.02	1.02	1.01
2TXCB031AC3+*DD060R9V3	NOMINAL	1000	1.00	1.00	1.00
	LOW	875	0.98	0.98	0.99
	HIGH	1125	1.02	1.02	1.01
2TXCB031AC3+*DD080R9V3	NOMINAL	1000	1.00	1.00	1.00
	LOW	831	0.98	0.98	0.99
	HIGH	1069	1.02	1.02	1.01
2TXCB031AC3+*DY060R9V3	NOMINAL	1000	1.00	1.00	1.00
	LOW	761	0.98	0.98	0.99
	HIGH	979	1.02	1.02	1.01
2TXCB031AC3+*DY080R9V3	NOMINAL	1000	1.00	1.00	1.00
	LOW	779	0.98	0.98	0.99
	HIGH	1001	1.02	1.02	1.01
2TXCB031AC3+*UD060R9V3	NOMINAL	1000	1.00	1.00	1.00
	LOW	910	0.98	0.98	0.99
	HIGH	1170	1.02	1.02	1.01
2TXCB031AC3+*UD080R9V3	NOMINAL	1000	1.00	1.00	1.00
	LOW	875	0.98	0.98	0.99
	HIGH	1125	1.02	1.02	1.01
2TXCB031AC3+*UD080R9V4	NOMINAL	1000	1.00	1.00	1.00
	LOW	875	0.98	0.98	0.99
	HIGH	1125	1.02	1.02	1.01
2TXCB031AC3+*UD100R9V3	NOMINAL	1000	1.00	1.00	1.00
	LOW	910	0.98	0.98	0.99
	HIGH	1170	1.02	1.02	1.01
2TXCB031AC3+*UY060R9V3	NOMINAL	1000	1.00	1.00	1.00
	LOW	770	0.98	0.98	0.99
	HIGH	990	1.02	1.02	1.01

### CORRECTION FACTORS FOR OTHER COMBINATIONS (MULTIPLY DATA BY FACTOR)

INDOOR MODEL		CFM	MBTUH TOT	MBTUH SEN	SYST KW
2TXCB031AC3+*UY080R9V3	NOMINAL	1000	1.00	1.00	1.00
	LOW	753	0.98	0.98	0.99
	HIGH	968	1.02	1.02	1.01
2TXCB031AS3	NOMINAL	1000	1.00	1.00	1.00
	LOW	875	0.98	0.98	0.99
	HIGH	1125	1.02	1.02	1.01
2TXCB031AS3+*DD060R9V3	NOMINAL	1000	1.00	1.00	1.00
	LOW	875	0.98	0.98	0.99
	HIGH	1125	1.02	1.02	1.01
2TXCB031AS3+*DD080R9V3	NOMINAL	1000	1.00	1.00	1.00
	LOW	831	0.98	0.98	0.99
	HIGH	1069	1.02	1.02	1.01
2TXCB031AS3+*DY060R9V3	NOMINAL	1000	1.00	1.00	1.00
	LOW	761	0.98	0.98	0.99
	HIGH	979	1.02	1.02	1.01
2TXCB031AS3+*DY080R9V3	NOMINAL	1000	1.00	1.00	1.00
	LOW	779	0.98	0.98	0.99
	HIGH	1001	1.02	1.02	1.01
2TXCB031AS3+*UD060R9V3	NOMINAL	1000	1.00	1.00	1.00
	LOW	910	0.98	0.98	0.99
	HIGH	1170	1.02	1.02	1.01
2TXCB031AS3+*UD080R9V3	NOMINAL	1000	1.00	1.00	1.00
	LOW	875	0.98	0.98	0.99
	HIGH	1125	1.02	1.02	1.01
2TXCB031AS3+*UD080R9V4	NOMINAL	1000	1.00	1.00	1.00
	LOW	875	0.98	0.98	0.99
	HIGH	1125	1.02	1.02	1.01
2TXCB031AS3+*UD100R9V3	NOMINAL	1000	1.00	1.00	1.00
	LOW	919	0.98	0.98	0.99
	HIGH	1181	1.02	1.02	1.01
2TXCB031AS3+*UY060R9V3	NOMINAL	1000	1.00	1.00	1.00
	LOW	770	0.98	0.98	0.99
	HIGH	990	1.02	1.02	1.01
2TXCB031AS3+*UY080R9V3	NOMINAL	1000	1.00	1.00	1.00
	LOW	753	0.98	0.98	0.99
	HIGH	968	1.02	1.02	1.01
2TXCB036AC3	NOMINAL	1000	1.00	1.00	1.00
	LOW	875	0.98	0.98	0.99
	HIGH	1125	1.02	1.02	1.01
2TXCB036AC3+*DD060R9V3	NOMINAL	1000	1.00	1.00	1.00
	LOW	875	0.98	0.98	0.99
	HIGH	1125	1.02	1.02	1.01
2TXCB036AC3+*DD080R9V3	NOMINAL	1000	1.00	1.00	1.00
	LOW	831	0.98	0.98	0.99
	HIGH	1069	1.02	1.02	1.01
2TXCB036AC3+*DY060R9V3	NOMINAL	1000	1.00	1.00	1.00
	LOW	761	0.98	0.98	0.99
	HIGH	979	1.02	1.02	1.01
2TXCB036AC3+*DY080R9V3	NOMINAL	1000	1.00	1.00	1.00
	LOW	779	0.98	0.98	0.99
	HIGH	1001	1.02	1.02	1.01
2TXCB036AC3+*UD060R9V3	NOMINAL	1000	1.00	1.00	1.00
	LOW	910	0.98	0.98	0.99
	HIGH	1170	1.02	1.02	1.01
2TXCB036AC3+*UD080R9V3	NOMINAL	1000	1.00	1.00	1.00
	LOW	875	0.98	0.98	0.99
	HIGH	1125	1.02	1.02	1.01
2TXCB036AC3+*UD080R9V4	NOMINAL	1000	1.00	1.00	1.00
	LOW	875	0.98	0.98	0.99
	HIGH	1125	1.02	1.02	1.01
2TXCB036AC3+*UD100R9V3	NOMINAL	1000	1.00	1.00	1.00
	LOW	910	0.98	0.98	0.99
	HIGH	1170	1.02	1.02	1.01



# Performance Data Cooling

## 2TTA3030A3/4

**CORRECTION FACTORS FOR OTHER COMBINATIONS (MULTIPLY DATA BY FACTOR)**

INDOOR MODEL		CFM	MBTUH TOT	MBTUH SEN	SYST KW
2TXCB036AC3+*UY060R9V3	NOMINAL	1000	1.00	1.00	1.00
	LOW	770	0.98	0.98	0.99
	HIGH	990	1.02	1.02	1.01
2TXCB036AC3+*UY080R9V3	NOMINAL	1000	1.00	1.00	1.00
	LOW	753	0.98	0.98	0.99
	HIGH	968	1.02	1.02	1.01
2TXCB036AS3	NOMINAL	1000	1.00	1.00	1.00
	LOW	875	0.98	0.98	0.99
	HIGH	1125	1.02	1.02	1.01
2TXCB036AS3+*DD060R9V3	NOMINAL	1000	1.00	1.00	1.00
	LOW	875	0.98	0.98	0.99
	HIGH	1125	1.02	1.02	1.01
2TXCB036AS3+*DD080R9V3	NOMINAL	1000	1.00	1.00	1.00
	LOW	831	0.98	0.98	0.99
	HIGH	1069	1.02	1.02	1.01
2TXCB036AS3+*DY060R9V3	NOMINAL	1000	1.00	1.00	1.00
	LOW	761	0.98	0.98	0.99
	HIGH	979	1.02	1.02	1.01
2TXCB036AS3+*DY080R9V3	NOMINAL	1000	1.00	1.00	1.00
	LOW	779	0.98	0.98	0.99
	HIGH	1001	1.02	1.02	1.01
2TXCB036AS3+*UD060R9V3	NOMINAL	1000	1.00	1.00	1.00
	LOW	901	0.98	0.98	0.99
	HIGH	1159	1.02	1.02	1.01
2TXCB036AS3+*UD080R9V3	NOMINAL	1000	1.00	1.00	1.00
	LOW	875	0.98	0.98	0.99
	HIGH	1125	1.02	1.02	1.01
2TXCB036AS3+*UD080R9V4	NOMINAL	1000	1.00	1.00	1.00
	LOW	875	0.98	0.98	0.99
	HIGH	1125	1.02	1.02	1.01
2TXCB036AS3+*UD100R9V3	NOMINAL	1000	1.00	1.00	1.00
	LOW	901	0.98	0.98	0.99
	HIGH	1159	1.02	1.02	1.01
2TXCB036AS3+*UY060R9V3	NOMINAL	1000	1.00	1.00	1.00
	LOW	770	0.98	0.98	0.99
	HIGH	990	1.02	1.02	1.01
2TXCB036AS3+*UY080R9V3	NOMINAL	1000	1.00	1.00	1.00
	LOW	753	0.98	0.98	0.99
	HIGH	968	1.02	1.02	1.01
2TXCB042AC3	NOMINAL	1000	1.00	1.00	1.00
	LOW	875	0.98	0.98	0.99
	HIGH	1125	1.02	1.02	1.01
2TXCB042AC3+*DD060R9V3	NOMINAL	1000	1.00	1.00	1.00
	LOW	875	0.98	0.98	0.99
	HIGH	1125	1.02	1.02	1.01
2TXCB042AC3+*DD080R9V3	NOMINAL	1000	1.00	1.00	1.00
	LOW	831	0.98	0.98	0.99
	HIGH	1069	1.02	1.02	1.01
2TXCB042AC3+*DY060R9V3	NOMINAL	1000	1.00	1.00	1.00
	LOW	761	0.98	0.98	0.99
	HIGH	979	1.02	1.02	1.01
2TXCB042AC3+*DY080R9V3	NOMINAL	1000	1.00	1.00	1.00
	LOW	779	0.98	0.98	0.99
	HIGH	1001	1.02	1.02	1.01
2TXCB042AC3+*UD060R9V3	NOMINAL	1000	1.00	1.00	1.00
	LOW	910	0.98	0.98	0.99
	HIGH	1170	1.02	1.02	1.01
2TXCB042AC3+*UD080R9V3	NOMINAL	1000	1.00	1.00	1.00
	LOW	875	0.98	0.98	0.99
	HIGH	1125	1.02	1.02	1.01
2TXCB042AC3+*UD080R9V4	NOMINAL	1000	1.00	1.00	1.00
	LOW	875	0.98	0.98	0.99
	HIGH	1125	1.02	1.02	1.01

**CORRECTION FACTORS FOR OTHER COMBINATIONS (MULTIPLY DATA BY FACTOR)**

INDOOR MODEL		CFM	MBTUH TOT	MBTUH SEN	SYST KW
2TXCB042AC3+*UD100R9V3	NOMINAL	1000	1.00	1.00	1.00
	LOW	910	0.98	0.98	0.99
	HIGH	1170	1.02	1.02	1.01
2TXCB042AC3+*UY060R9V3	NOMINAL	1000	1.00	1.00	1.00
	LOW	770	0.98	0.98	0.99
	HIGH	990	1.02	1.02	1.01
2TXCB042AC3+*UY080R9V3	NOMINAL	1000	1.00	1.00	1.00
	LOW	753	0.98	0.98	0.99
	HIGH	968	1.02	1.02	1.01
2TXCC037AC3	NOMINAL	1000	1.00	1.00	1.00
	LOW	875	0.98	0.98	0.99
	HIGH	1125	1.02	1.02	1.01
2TXCC037AC3+*DY100R9V4	NOMINAL	1000	1.00	1.00	1.00
	LOW	928	0.98	0.98	0.99
	HIGH	1193	1.02	1.02	1.01
2TXCC037AC3+*UY100R9V4	NOMINAL	1000	1.00	1.00	1.00
	LOW	919	0.98	0.98	0.99
	HIGH	1181	1.02	1.02	1.01
2TXCC037AS3	NOMINAL	1000	1.00	1.00	1.00
	LOW	875	0.98	0.98	0.99
	HIGH	1125	1.02	1.02	1.01
2TXCC037AS3+*DY100R9V4	NOMINAL	1000	1.00	1.00	1.00
	LOW	928	0.98	0.98	0.99
	HIGH	1193	1.02	1.02	1.01
2TXCC037AS3+*UY100R9V4	NOMINAL	1000	1.00	1.00	1.00
	LOW	919	0.98	0.98	0.99
	HIGH	1181	1.02	1.02	1.01
2TXFH033AS3	NOMINAL	1000	1.00	1.00	1.00
	LOW	875	0.98	0.98	0.99
	HIGH	1125	1.02	1.02	1.01
2TXFH033AS3+*DD060R9V3	NOMINAL	1000	1.00	1.00	1.00
	LOW	866	0.98	0.98	0.99
	HIGH	1114	1.02	1.02	1.01
2TXFH033AS3+*DD080R9V3	NOMINAL	1000	1.00	1.00	1.00
	LOW	840	0.98	0.98	0.99
	HIGH	1080	1.02	1.02	1.01
2TXFH033AS3+*DY060R9V3	NOMINAL	1000	1.00	1.00	1.00
	LOW	753	0.98	0.98	0.99
	HIGH	968	1.02	1.02	1.01
2TXFH033AS3+*DY080R9V3	NOMINAL	1000	1.00	1.00	1.00
	LOW	770	0.98	0.98	0.99
	HIGH	990	1.02	1.02	1.01
2TXFH033AS3+*UD060R9V3	NOMINAL	1000	1.00	1.00	1.00
	LOW	893	0.98	0.98	0.99
	HIGH	1148	1.02	1.02	1.01
2TXFH033AS3+*UD080R9V3	NOMINAL	1000	1.00	1.00	1.00
	LOW	884	0.98	0.98	0.99
	HIGH	1136	1.02	1.02	1.01
2TXFH033AS3+*UD080R9V4	NOMINAL	1000	1.00	1.00	1.00
	LOW	875	0.98	0.98	0.99
	HIGH	1125	1.02	1.02	1.01
2TXFH033AS3+*UD100R9V3	NOMINAL	1000	1.00	1.00	1.00
	LOW	893	0.98	0.98	0.99
	HIGH	1148	1.02	1.02	1.01
2TXFH033AS3+*UY060R9V3	NOMINAL	1000	1.00	1.00	1.00
	LOW	761	0.98	0.98	0.99
	HIGH	979	1.02	1.02	1.01
2TXFH033AS3+*UY080R9V3	NOMINAL	1000	1.00	1.00	1.00
	LOW	744	0.98	0.98	0.99
	HIGH	956	1.02	1.02	1.01
2TXFH041AS3	NOMINAL	1000	1.00	1.00	1.00
	LOW	875	0.98	0.98	0.99
	HIGH	1125	1.02	1.02	1.01



# Performance Data Cooling

## 2TTA3030A3/4

CORRECTION FACTORS FOR OTHER COMBINATIONS (MULTIPLY DATA BY FACTOR)

INDOOR MODEL		CFM	MBTUH TOT	MBTUH SEN	SYST KW
2TXFH041AS3+*DD060R9V3	NOMINAL	1000	1.00	1.00	1.00
	LOW	866	0.98	0.98	0.99
	HIGH	1114	1.02	1.02	1.01
2TXFH041AS3+*DD080R9V3	NOMINAL	1000	1.00	1.00	1.00
	LOW	840	0.98	0.98	0.99
	HIGH	1080	1.02	1.02	1.01
2TXFH041AS3+*DY060R9V3	NOMINAL	1000	1.00	1.00	1.00
	LOW	761	0.98	0.98	0.99
	HIGH	979	1.02	1.02	1.01
2TXFH041AS3+*DY080R9V3	NOMINAL	1000	1.00	1.00	1.00
	LOW	779	0.98	0.98	0.99
	HIGH	1001	1.02	1.02	1.01
2TXFH041AS3+*DY100R9V4	NOMINAL	1000	1.00	1.00	1.00
	LOW	928	0.98	0.98	0.99
	HIGH	1193	1.02	1.02	1.01
2TXFH041AS3+*UD060R9V3	NOMINAL	1000	1.00	1.00	1.00
	LOW	893	0.98	0.98	0.99
	HIGH	1148	1.02	1.02	1.01
2TXFH041AS3+*UD080R9V3	NOMINAL	1000	1.00	1.00	1.00
	LOW	884	0.98	0.98	0.99
	HIGH	1136	1.02	1.02	1.01
2TXFH041AS3+*UD080R9V4	NOMINAL	1000	1.00	1.00	1.00
	LOW	875	0.98	0.98	0.99
	HIGH	1125	1.02	1.02	1.01
2TXFH041AS3+*UD100R9V3	NOMINAL	1000	1.00	1.00	1.00
	LOW	893	0.98	0.98	0.99
	HIGH	1148	1.02	1.02	1.01
2TXFH041AS3+*UY060R9V3	NOMINAL	1000	1.00	1.00	1.00
	LOW	761	0.98	0.98	0.99
	HIGH	979	1.02	1.02	1.01
2TXFH041AS3+*UY080R9V3	NOMINAL	1000	1.00	1.00	1.00
	LOW	744	0.98	0.98	0.99
	HIGH	956	1.02	1.02	1.01
2TXFH041AS3+*UY100R9V4	NOMINAL	1000	1.00	1.00	1.00
	LOW	919	0.98	0.98	0.99
	HIGH	1181	1.02	1.02	1.01
TWE024P13	NOMINAL	1000	1.00	1.00	1.00
	LOW	875	0.98	0.98	0.99
	HIGH	1125	1.02	1.02	1.01
TWE030C14+TAYTXV-3	NOMINAL	1000	1.00	1.00	1.00
	LOW	866	0.98	0.98	0.99
	HIGH	1114	1.02	1.02	1.01
TWE030P13	NOMINAL	1000	1.00	1.00	1.00
	LOW	875	0.98	0.98	0.99
	HIGH	1125	1.02	1.02	1.01
TWE031E13	NOMINAL	1000	1.00	1.00	1.00
	LOW	893	0.98	0.98	0.99
	HIGH	1148	1.02	1.02	1.01
TWE036C14+TAYTXV-3	NOMINAL	1000	1.00	1.00	1.00
	LOW	875	0.98	0.98	0.99
	HIGH	1125	1.02	1.02	1.01
TWE036C14+TAYTXVH-3	NOMINAL	1000	1.00	1.00	1.00
	LOW	875	0.98	0.98	0.99
	HIGH	1125	1.02	1.02	1.01
TWE036P13	NOMINAL	1000	1.00	1.00	1.00
	LOW	875	0.98	0.98	0.99
	HIGH	1125	1.02	1.02	1.01
TWE037E13	NOMINAL	1000	1.00	1.00	1.00
	LOW	866	0.98	0.98	0.99
	HIGH	1114	1.02	1.02	1.01
TWE040E13	NOMINAL	1000	1.00	1.00	1.00
	LOW	875	0.98	0.98	0.99
	HIGH	1125	1.02	1.02	1.01

CORRECTION FACTORS FOR OTHER COMBINATIONS (MULTIPLY DATA BY FACTOR)

INDOOR MODEL		CFM	MBTUH TOT	MBTUH SEN	SYST KW
TWG036A14+TAYTXV-3	NOMINAL	1000	1.00	1.00	1.00
	LOW	875	0.98	0.98	0.99
	HIGH	1125	1.02	1.02	1.01
TWG036A14+TAYTXVH-3	NOMINAL	1000	1.00	1.00	1.00
	LOW	875	0.98	0.98	0.99
	HIGH	1125	1.02	1.02	1.01
TWG037A14+TAYTXV-3	NOMINAL	1000	1.00	1.00	1.00
	LOW	770	0.98	0.98	0.99
	HIGH	990	1.02	1.02	1.01
TWG037A14+TAYTXVH-3	NOMINAL	1000	1.00	1.00	1.00
	LOW	770	0.98	0.98	0.99
	HIGH	990	1.02	1.02	1.01
TXA030C4+TAYTXV-3	NOMINAL	1000	1.00	1.00	1.00
	LOW	875	0.98	0.98	0.99
	HIGH	1125	1.02	1.02	1.01
TXA031C4+TAYTXV-3	NOMINAL	1000	1.00	1.00	1.00
	LOW	875	0.98	0.98	0.99
	HIGH	1125	1.02	1.02	1.01
TXA031C4+TAYTXVH-3	NOMINAL	1000	1.00	1.00	1.00
	LOW	875	0.98	0.98	0.99
	HIGH	1125	1.02	1.02	1.01
TXA035C4+TAYTXV-3	NOMINAL	1000	1.00	1.00	1.00
	LOW	875	0.98	0.98	0.99
	HIGH	1125	1.02	1.02	1.01
TXA036C4+TAYTXV-3	NOMINAL	1000	1.00	1.00	1.00
	LOW	875	0.98	0.98	0.99
	HIGH	1125	1.02	1.02	1.01
TXA036C4+TAYTXVH-3	NOMINAL	1000	1.00	1.00	1.00
	LOW	875	0.98	0.98	0.99
	HIGH	1125	1.02	1.02	1.01
TXC030C4+TAYTXV-3	NOMINAL	1000	1.00	1.00	1.00
	LOW	875	0.98	0.98	0.99
	HIGH	1125	1.02	1.02	1.01
TXC030D4+TAYTXV-3	NOMINAL	1000	1.00	1.00	1.00
	LOW	875	0.98	0.98	0.99
	HIGH	1125	1.02	1.02	1.01
TXC031C4+TAYTXV-3	NOMINAL	1000	1.00	1.00	1.00
	LOW	875	0.98	0.98	0.99
	HIGH	1125	1.02	1.02	1.01
TXC031C4+TAYTXVH-3	NOMINAL	1000	1.00	1.00	1.00
	LOW	875	0.98	0.98	0.99
	HIGH	1125	1.02	1.02	1.01
TXC031D4+TAYTXV-3	NOMINAL	1000	1.00	1.00	1.00
	LOW	875	0.98	0.98	0.99
	HIGH	1125	1.02	1.02	1.01
TXC031D4+TAYTXVH-3	NOMINAL	1000	1.00	1.00	1.00
	LOW	875	0.98	0.98	0.99
	HIGH	1125	1.02	1.02	1.01
TXC031S3	NOMINAL	1000	1.00	1.00	1.00
	LOW	875	0.98	0.98	0.99
	HIGH	1125	1.02	1.02	1.01
TXC031S3+*DD060R9V3	NOMINAL	1000	1.00	1.00	1.00
	LOW	875	0.98	0.98	0.99
	HIGH	1125	1.02	1.02	1.01
TXC031S3+*DD080R9V3	NOMINAL	1000	1.00	1.00	1.00
	LOW	831	0.98	0.98	0.99
	HIGH	1069	1.02	1.02	1.01
TXC031S3+*DY060R9V3	NOMINAL	1000	1.00	1.00	1.00
	LOW	761	0.98	0.98	0.99
	HIGH	979	1.02	1.02	1.01
TXC031S3+*DY080R9V3	NOMINAL	1000	1.00	1.00	1.00
	LOW	779	0.98	0.98	0.99
	HIGH	1001	1.02	1.02	1.01



# Performance Data Cooling

## 2TTA3030A3/4

### CORRECTION FACTORS FOR OTHER COMBINATIONS (MULTIPLY DATA BY FACTOR)

INDOOR MODEL		CFM	MBTUH TOT	MBTUH SEN	SYST KW
TXC031S3+*UD060R9V3	NOMINAL	1000	1.00	1.00	1.00
	LOW	910	0.98	0.98	0.99
	HIGH	1170	1.02	1.02	1.01
TXC031S3+*UD080R9V3	NOMINAL	1000	1.00	1.00	1.00
	LOW	875	0.98	0.98	0.99
	HIGH	1125	1.02	1.02	1.01
TXC031S3+*UD080R9V4	NOMINAL	1000	1.00	1.00	1.00
	LOW	875	0.98	0.98	0.99
	HIGH	1125	1.02	1.02	1.01
TXC031S3+*UD100R9V3	NOMINAL	1000	1.00	1.00	1.00
	LOW	919	0.98	0.98	0.99
	HIGH	1181	1.02	1.02	1.01
TXC031S3+*UY060R9V3	NOMINAL	1000	1.00	1.00	1.00
	LOW	770	0.98	0.98	0.99
	HIGH	990	1.02	1.02	1.01
TXC031S3+*UY080R9V3	NOMINAL	1000	1.00	1.00	1.00
	LOW	753	0.98	0.98	0.99
	HIGH	968	1.02	1.02	1.01
TXC035C4+TAYTXV-3	NOMINAL	1000	1.00	1.00	1.00
	LOW	875	0.98	0.98	0.99
	HIGH	1125	1.02	1.02	1.01
TXC035D4+TAYTXV-3	NOMINAL	1000	1.00	1.00	1.00
	LOW	875	0.98	0.98	0.99
	HIGH	1125	1.02	1.02	1.01
TXC036C4+TAYTXV-3	NOMINAL	1000	1.00	1.00	1.00
	LOW	875	0.98	0.98	0.99
	HIGH	1125	1.02	1.02	1.01
TXC036C4+TAYTXVH-3	NOMINAL	1000	1.00	1.00	1.00
	LOW	875	0.98	0.98	0.99
	HIGH	1125	1.02	1.02	1.01
TXC036D4+TAYTXV-3	NOMINAL	1000	1.00	1.00	1.00
	LOW	875	0.98	0.98	0.99
	HIGH	1125	1.02	1.02	1.01
TXC036D4+TAYTXVH-3	NOMINAL	1000	1.00	1.00	1.00
	LOW	875	0.98	0.98	0.99
	HIGH	1125	1.02	1.02	1.01
TXC036S3	NOMINAL	1000	1.00	1.00	1.00
	LOW	875	0.98	0.98	0.99
	HIGH	1125	1.02	1.02	1.01
TXC036S3+*DD060R9V3	NOMINAL	1000	1.00	1.00	1.00
	LOW	875	0.98	0.98	0.99
	HIGH	1125	1.02	1.02	1.01
TXC036S3+*DD080R9V3	NOMINAL	1000	1.00	1.00	1.00
	LOW	831	0.98	0.98	0.99
	HIGH	1069	1.02	1.02	1.01
TXC036S3+*DY060R9V3	NOMINAL	1000	1.00	1.00	1.00
	LOW	761	0.98	0.98	0.99
	HIGH	979	1.02	1.02	1.01
TXC036S3+*DY080R9V3	NOMINAL	1000	1.00	1.00	1.00
	LOW	779	0.98	0.98	0.99
	HIGH	1001	1.02	1.02	1.01
TXC036S3+*UD060R9V3	NOMINAL	1000	1.00	1.00	1.00
	LOW	901	0.98	0.98	0.99
	HIGH	1159	1.02	1.02	1.01
TXC036S3+*UD080R9V3	NOMINAL	1000	1.00	1.00	1.00
	LOW	875	0.98	0.98	0.99
	HIGH	1125	1.02	1.02	1.01
TXC036S3+*UD080R9V4	NOMINAL	1000	1.00	1.00	1.00
	LOW	875	0.98	0.98	0.99
	HIGH	1125	1.02	1.02	1.01
TXC036S3+*UD100R9V3	NOMINAL	1000	1.00	1.00	1.00
	LOW	901	0.98	0.98	0.99
	HIGH	1159	1.02	1.02	1.01

### CORRECTION FACTORS FOR OTHER COMBINATIONS (MULTIPLY DATA BY FACTOR)

INDOOR MODEL		CFM	MBTUH TOT	MBTUH SEN	SYST KW
TXC036S3+*UY060R9V3	NOMINAL	1000	1.00	1.00	1.00
	LOW	770	0.98	0.98	0.99
	HIGH	990	1.02	1.02	1.01
TXC036S3+*UY080R9V3	NOMINAL	1000	1.00	1.00	1.00
	LOW	753	0.98	0.98	0.99
	HIGH	968	1.02	1.02	1.01
TXC037S3	NOMINAL	1000	1.00	1.00	1.00
	LOW	875	0.98	0.98	0.99
	HIGH	1125	1.02	1.02	1.01
TXC037S3+*DY100R9V4	NOMINAL	1000	1.00	1.00	1.00
	LOW	928	0.98	0.98	0.99
	HIGH	1193	1.02	1.02	1.01
TXC037S3+*UY100R9V4	NOMINAL	1000	1.00	1.00	1.00
	LOW	919	0.98	0.98	0.99
	HIGH	1181	1.02	1.02	1.01
TXH033A4+TAYTXV-3	NOMINAL	1000	1.00	1.00	1.00
	LOW	875	0.98	0.98	0.99
	HIGH	1125	1.02	1.02	1.01
TXH033A4+TAYTXV-3+*DD060R9V3	NOMINAL	1000	1.00	1.00	1.00
	LOW	866	0.98	0.98	0.99
	HIGH	1114	1.02	1.02	1.01
TXH033A4+TAYTXV-3+*DD080R9V3	NOMINAL	1000	1.00	1.00	1.00
	LOW	840	0.98	0.98	0.99
	HIGH	1080	1.02	1.02	1.01
TXH033A4+TAYTXV-3+*DY060R9V3	NOMINAL	1000	1.00	1.00	1.00
	LOW	753	0.98	0.98	0.99
	HIGH	968	1.02	1.02	1.01
TXH033A4+TAYTXV-3+*UD060R9V3	NOMINAL	1000	1.00	1.00	1.00
	LOW	893	0.98	0.98	0.99
	HIGH	1148	1.02	1.02	1.01
TXH033A4+TAYTXV-3+*UD080R9V3	NOMINAL	1000	1.00	1.00	1.00
	LOW	884	0.98	0.98	0.99
	HIGH	1136	1.02	1.02	1.01
TXH033A4+TAYTXV-3+*UD080R9V4	NOMINAL	1000	1.00	1.00	1.00
	LOW	875	0.98	0.98	0.99
	HIGH	1125	1.02	1.02	1.01
TXH033A4+TAYTXV-3+*UD100R9V3	NOMINAL	1000	1.00	1.00	1.00
	LOW	893	0.98	0.98	0.99
	HIGH	1148	1.02	1.02	1.01
TXH033A4+TAYTXV-3+*UY060R9V3	NOMINAL	1000	1.00	1.00	1.00
	LOW	761	0.98	0.98	0.99
	HIGH	979	1.02	1.02	1.01
TXH033A4+TAYTXVH-3	NOMINAL	1000	1.00	1.00	1.00
	LOW	875	0.98	0.98	0.99
	HIGH	1125	1.02	1.02	1.01
TXH033A4+TAYTXVH-3+*DD060R9V3	NOMINAL	1000	1.00	1.00	1.00
	LOW	866	0.98	0.98	0.99
	HIGH	1114	1.02	1.02	1.01
TXH033A4+TAYTXVH-3+*DD080R9V3	NOMINAL	1000	1.00	1.00	1.00
	LOW	840	0.98	0.98	0.99
	HIGH	1080	1.02	1.02	1.01
TXH033A4+TAYTXVH-3+*DY060R9V3	NOMINAL	1000	1.00	1.00	1.00
	LOW	753	0.98	0.98	0.99
	HIGH	968	1.02	1.02	1.01
TXH033A4+TAYTXVH-3+*UD060R9V3	NOMINAL	1000	1.00	1.00	1.00
	LOW	893	0.98	0.98	0.99
	HIGH	1148	1.02	1.02	1.01
TXH033A4+TAYTXVH-3+*UD080R9V3	NOMINAL	1000	1.00	1.00	1.00
	LOW	884	0.98	0.98	0.99
	HIGH	1136	1.02	1.02	1.01
TXH033A4+TAYTXVH-3+*UD080R9V4	NOMINAL	1000	1.00	1.00	1.00
	LOW	875	0.98	0.98	0.99
	HIGH	1125	1.02	1.02	1.01



# Performance Data Cooling

## 2TTA3030A3/4

**CORRECTION FACTORS FOR OTHER COMBINATIONS (MULTIPLY DATA BY FACTOR)**

INDOOR MODEL		CFM	MBTUH TOT	MBTUH SEN	SYST KW
TXH033A4+TAYTXVH-3+*UD100R9V3	NOMINAL	1000	1.00	1.00	1.00
	LOW	893	0.98	0.98	0.99
	HIGH	1148	1.02	1.02	1.01
TXH033A4+TAYTXVH-3+*UY060R9V3	NOMINAL	1000	1.00	1.00	1.00
	LOW	761	0.98	0.98	0.99
	HIGH	979	1.02	1.02	1.01
TXH041A4+TAYTXV-3	NOMINAL	1000	1.00	1.00	1.00
	LOW	875	0.98	0.98	0.99
	HIGH	1125	1.02	1.02	1.01
TXH041A4+TAYTXV-3+*DD060R9V3	NOMINAL	1000	1.00	1.00	1.00
	LOW	866	0.98	0.98	0.99
	HIGH	1114	1.02	1.02	1.01
TXH041A4+TAYTXV-3+*DD080R9V3	NOMINAL	1000	1.00	1.00	1.00
	LOW	840	0.98	0.98	0.99
	HIGH	1080	1.02	1.02	1.01
TXH041A4+TAYTXV-3+*DY060R9V3	NOMINAL	1000	1.00	1.00	1.00
	LOW	761	0.98	0.98	0.99
	HIGH	979	1.02	1.02	1.01
TXH041A4+TAYTXV-3+*DY080R9V3	NOMINAL	1000	1.00	1.00	1.00
	LOW	779	0.98	0.98	0.99
	HIGH	1001	1.02	1.02	1.01
TXH041A4+TAYTXV-3+*UD060R9V3	NOMINAL	1000	1.00	1.00	1.00
	LOW	779	0.98	0.98	0.99
	HIGH	1001	1.02	1.02	1.01
TXH041A4+TAYTXV-3+*UD060R9V3	NOMINAL	1000	1.00	1.00	1.00
	LOW	893	0.98	0.98	0.99
	HIGH	1148	1.02	1.02	1.01
TXH041A4+TAYTXV-3+*UD080R9V3	NOMINAL	1000	1.00	1.00	1.00
	LOW	884	0.98	0.98	0.99
	HIGH	1136	1.02	1.02	1.01
TXH041A4+TAYTXV-3+*UD080R9V4	NOMINAL	1000	1.00	1.00	1.00
	LOW	875	0.98	0.98	0.99
	HIGH	1125	1.02	1.02	1.01
TXH041A4+TAYTXV-3+*UD100R9V3	NOMINAL	1000	1.00	1.00	1.00
	LOW	893	0.98	0.98	0.99
	HIGH	1148	1.02	1.02	1.01
TXH041A4+TAYTXV-3+*UY060R9V3	NOMINAL	1000	1.00	1.00	1.00
	LOW	761	0.98	0.98	0.99
	HIGH	979	1.02	1.02	1.01

**CORRECTION FACTORS FOR OTHER COMBINATIONS (MULTIPLY DATA BY FACTOR)**

INDOOR MODEL		CFM	MBTUH TOT	MBTUH SEN	SYST KW
TXH041A4+TAYTXV-3+*UY080R9V3	NOMINAL	1000	1.00	1.00	1.00
	LOW	744	0.98	0.98	0.99
	HIGH	956	1.02	1.02	1.01
TXH041A4+TAYTXVH-3	NOMINAL	1000	1.00	1.00	1.00
	LOW	875	0.98	0.98	0.99
	HIGH	1125	1.02	1.02	1.01
TXH041A4+TAYTXVH-3+*DD060R9V3	NOMINAL	1000	1.00	1.00	1.00
	LOW	866	0.98	0.98	0.99
	HIGH	1114	1.02	1.02	1.01
TXH041A4+TAYTXVH-3+*DD080R9V3	NOMINAL	1000	1.00	1.00	1.00
	LOW	840	0.98	0.98	0.99
	HIGH	1080	1.02	1.02	1.01
TXH041A4+TAYTXVH-3+*DY060R9V3	NOMINAL	1000	1.00	1.00	1.00
	LOW	761	0.98	0.98	0.99
	HIGH	979	1.02	1.02	1.01
TXH041A4+TAYTXVH-3+*DY080R9V3	NOMINAL	1000	1.00	1.00	1.00
	LOW	779	0.98	0.98	0.99
	HIGH	1001	1.02	1.02	1.01
TXH041A4+TAYTXVH-3+*UD060R9V3	NOMINAL	1000	1.00	1.00	1.00
	LOW	893	0.98	0.98	0.99
	HIGH	1148	1.02	1.02	1.01
TXH041A4+TAYTXVH-3+*UD080R9V3	NOMINAL	1000	1.00	1.00	1.00
	LOW	884	0.98	0.98	0.99
	HIGH	1136	1.02	1.02	1.01
TXH041A4+TAYTXVH-3+*UD080R9V4	NOMINAL	1000	1.00	1.00	1.00
	LOW	875	0.98	0.98	0.99
	HIGH	1125	1.02	1.02	1.01
TXH041A4+TAYTXVH-3+*UD100R9V3	NOMINAL	1000	1.00	1.00	1.00
	LOW	893	0.98	0.98	0.99
	HIGH	1148	1.02	1.02	1.01
TXH041A4+TAYTXVH-3+*UY060R9V3	NOMINAL	1000	1.00	1.00	1.00
	LOW	761	0.98	0.98	0.99
	HIGH	979	1.02	1.02	1.01
TXH041A4+TAYTXVH-3+*UY080R9V3	NOMINAL	1000	1.00	1.00	1.00
	LOW	744	0.98	0.98	0.99
	HIGH	956	1.02	1.02	1.01

## 2TTA3036A3/4

**2TTA3036A3/4 WITH 2TXCB036AC3 AT 1200 CFM**

O.D. D.B.	I.D. W.B.	TOT. CAP.	SENS. CAP. AT ENTERING D.B. TEMP.				TOTAL KW
			72	75	78	80	
85	59	31.4	20.4	24.6	28.6	31.3	2.67
	63	32.8	18.7	22.5	26.3	28.7	2.69
	67	35.3	16.2	19.4	22.7	24.8	2.73
	71	38.1	13.4	16.1	18.8	20.6	2.76
95	59	30.2	19.9	23.9	27.8	30.2	2.94
	63	31.5	18.2	21.9	25.5	27.9	2.96
	67	34.0	15.7	18.9	22.0	24.1	3.01
	71	36.7	13.0	15.7	18.3	20.0	3.04
105	59	29.0	19.3	23.2	27.0	29.0	3.21
	63	30.3	17.7	21.3	24.8	27.1	3.23
	67	32.6	15.3	18.4	21.4	23.4	3.29
	71	35.2	12.7	15.2	17.7	19.4	3.32
115	59	27.8	18.7	22.5	26.2	27.8	3.48
	63	29.0	17.1	20.6	24.0	26.3	3.51
	67	31.3	14.8	17.8	20.7	22.7	3.56
	71	33.8	12.3	14.7	17.2	18.8	3.60

**CORRECTION FACTORS FOR OTHER AIRFLOWS (MULTIPLY DATA BY FACTOR)**

	AIRFLOW	TOTAL CAPACITY	SENSIBLE CAPACITY
LOW	1050	0.98	0.98
HIGH	1350	1.02	1.02

NOTE: ALL TABLES ABOVE ARE AT ARI RATING CONDITIONS RATED WITH 25 FEET OF REFRIGERANT LINES.  
\* DRY COIL CONDITION (TOTAL CAPACITY = SENSIBLE CAPACITY)  
TOTAL CAPACITY, COMP. KW AND APP. DEW PT. ARE VALID ONLY FOR WET COIL. ALL TEMPERATURES IN DEGREES F.

**CORRECTION FACTORS FOR OTHER COMBINATIONS (MULTIPLY DATA BY FACTOR)**

INDOOR MODEL		CFM	MBTUH TOT	MBTUH SEN	SYST KW
2CXAB036AC3	NOMINAL	1200	1.00	1.00	1.00
	LOW	1050	0.98	0.98	0.99
	HIGH	1350	1.02	1.02	1.01
2CXAB036AC3+*DD060R9V3	NOMINAL	1200	1.00	1.00	1.00
	LOW	1068	0.98	0.98	0.99
	HIGH	1373	1.02	1.02	1.01





# Performance Data Cooling

## 2TTA3036A3/4

**CORRECTION FACTORS FOR OTHER COMBINATIONS (MULTIPLY DATA BY FACTOR)**

INDOOR MODEL		CFM	MBTUH TOT	MBTUH SEN	SYST KW
2CXAB036AC3+*DD080R9V3	NOMINAL	1200	1.00	1.00	1.00
	LOW	989	0.98	0.98	0.99
	HIGH	1271	1.02	1.02	1.01
2CXAB036AC3+*DY060R9V3	NOMINAL	1200	1.00	1.00	1.00
	LOW	954	0.98	0.98	0.99
	HIGH	1226	1.02	1.02	1.01
2CXAB036AC3+*DY080R9V3	NOMINAL	1200	1.00	1.00	1.00
	LOW	963	0.98	0.98	0.99
	HIGH	1238	1.02	1.02	1.01
2CXAB036AC3+*UD060R9V3	NOMINAL	1200	1.00	1.00	1.00
	LOW	1050	0.98	0.98	0.99
	HIGH	1350	1.02	1.02	1.01
2CXAB036AC3+*UD080R9V3	NOMINAL	1200	1.00	1.00	1.00
	LOW	1050	0.98	0.98	0.99
	HIGH	1350	1.02	1.02	1.01
2CXAB036AC3+*UD080R9V4	NOMINAL	1200	1.00	1.00	1.00
	LOW	1033	0.98	0.98	0.99
	HIGH	1328	1.02	1.02	1.01
2CXAB036AC3+*UD100R9V3	NOMINAL	1200	1.00	1.00	1.00
	LOW	1094	0.98	0.98	0.99
	HIGH	1406	1.02	1.02	1.01
2CXAB036AC3+*UY060R9V3	NOMINAL	1200	1.00	1.00	1.00
	LOW	945	0.98	0.98	0.99
	HIGH	1215	1.02	1.02	1.01
2CXAB036AC3+*UY080R9V3	NOMINAL	1200	1.00	1.00	1.00
	LOW	901	0.98	0.98	0.99
	HIGH	1159	1.02	1.02	1.01
2CXAB042AC3	NOMINAL	1200	1.00	1.00	1.00
	LOW	1050	0.98	0.98	0.99
	HIGH	1350	1.02	1.02	1.01
2CXAB042AC3+*DD060R9V3	NOMINAL	1200	1.00	1.00	1.00
	LOW	1068	0.98	0.98	0.99
	HIGH	1373	1.02	1.02	1.01
2CXAB042AC3+*DD080R9V3	NOMINAL	1200	1.00	1.00	1.00
	LOW	989	0.98	0.98	0.99
	HIGH	1271	1.02	1.02	1.01
2CXAB042AC3+*DY060R9V3	NOMINAL	1200	1.00	1.00	1.00
	LOW	954	0.98	0.98	0.99
	HIGH	1226	1.02	1.02	1.01
2CXAB042AC3+*DY080R9V3	NOMINAL	1200	1.00	1.00	1.00
	LOW	963	0.98	0.98	0.99
	HIGH	1238	1.02	1.02	1.01
2CXAB042AC3+*UD060R9V3	NOMINAL	1200	1.00	1.00	1.00
	LOW	1050	0.98	0.98	0.99
	HIGH	1350	1.02	1.02	1.01
2CXAB042AC3+*UD080R9V3	NOMINAL	1200	1.00	1.00	1.00
	LOW	1050	0.98	0.98	0.99
	HIGH	1350	1.02	1.02	1.01
2CXAB042AC3+*UD080R9V4	NOMINAL	1200	1.00	1.00	1.00
	LOW	1033	0.98	0.98	0.99
	HIGH	1328	1.02	1.02	1.01
2CXAB042AC3+*UD100R9V3	NOMINAL	1200	1.00	1.00	1.00
	LOW	1094	0.98	0.98	0.99
	HIGH	1406	1.02	1.02	1.01
2CXAB042AC3+*UY060R9V3	NOMINAL	1200	1.00	1.00	1.00
	LOW	945	0.98	0.98	0.99
	HIGH	1215	1.02	1.02	1.01
2CXAB042AC3+*UY080R9V3	NOMINAL	1200	1.00	1.00	1.00
	LOW	901	0.98	0.98	0.99
	HIGH	1159	1.02	1.02	1.01
2CXAB048AC3	NOMINAL	1200	1.00	1.00	1.00
	LOW	1050	0.98	0.98	0.99
	HIGH	1350	1.02	1.02	1.01

**CORRECTION FACTORS FOR OTHER COMBINATIONS (MULTIPLY DATA BY FACTOR)**

INDOOR MODEL		CFM	MBTUH TOT	MBTUH SEN	SYST KW
2CXAB048AC3+*DD060R9V3	NOMINAL	1200	1.00	1.00	1.00
	LOW	1068	0.98	0.98	0.99
	HIGH	1373	1.02	1.02	1.01
2CXAB048AC3+*DD080R9V3	NOMINAL	1200	1.00	1.00	1.00
	LOW	989	0.98	0.98	0.99
	HIGH	1271	1.02	1.02	1.01
2CXAB048AC3+*DY060R9V3	NOMINAL	1200	1.00	1.00	1.00
	LOW	954	0.98	0.98	0.99
	HIGH	1226	1.02	1.02	1.01
2CXAB048AC3+*DY080R9V3	NOMINAL	1200	1.00	1.00	1.00
	LOW	963	0.98	0.98	0.99
	HIGH	1238	1.02	1.02	1.01
2CXAB048AC3+*UD060R9V3	NOMINAL	1200	1.00	1.00	1.00
	LOW	1050	0.98	0.98	0.99
	HIGH	1350	1.02	1.02	1.01
2CXAB048AC3+*UD080R9V3	NOMINAL	1200	1.00	1.00	1.00
	LOW	1050	0.98	0.98	0.99
	HIGH	1350	1.02	1.02	1.01
2CXAB048AC3+*UD080R9V4	NOMINAL	1200	1.00	1.00	1.00
	LOW	1033	0.98	0.98	0.99
	HIGH	1328	1.02	1.02	1.01
2CXAB048AC3+*UD100R9V3	NOMINAL	1200	1.00	1.00	1.00
	LOW	1094	0.98	0.98	0.99
	HIGH	1406	1.02	1.02	1.01
2CXAB048AC3+*UY060R9V3	NOMINAL	1200	1.00	1.00	1.00
	LOW	945	0.98	0.98	0.99
	HIGH	1215	1.02	1.02	1.01
2CXAB048AC3+*UY080R9V3	NOMINAL	1200	1.00	1.00	1.00
	LOW	901	0.98	0.98	0.99
	HIGH	1159	1.02	1.02	1.01
2CXAC037AC3	NOMINAL	1200	1.00	1.00	1.00
	LOW	1050	0.98	0.98	0.99
	HIGH	1350	1.02	1.02	1.01
2CXAC037AC3+*DY100R9V4	NOMINAL	1200	1.00	1.00	1.00
	LOW	919	0.98	0.98	0.99
	HIGH	1181	1.02	1.02	1.01
2CXAC037AC3+*UY100R9V4	NOMINAL	1200	1.00	1.00	1.00
	LOW	919	0.98	0.98	0.99
	HIGH	1181	1.02	1.02	1.01
2CXAC043AC3	NOMINAL	1200	1.00	1.00	1.00
	LOW	1050	0.98	0.98	0.99
	HIGH	1350	1.02	1.02	1.01
2CXAC043AC3+*DY100R9V4	NOMINAL	1200	1.00	1.00	1.00
	LOW	919	0.98	0.98	0.99
	HIGH	1181	1.02	1.02	1.01
2CXAC043AC3+*UY100R9V4	NOMINAL	1200	1.00	1.00	1.00
	LOW	919	0.98	0.98	0.99
	HIGH	1181	1.02	1.02	1.01
2CXC036AC3	NOMINAL	1200	1.00	1.00	1.00
	LOW	1050	0.98	0.98	0.99
	HIGH	1350	1.02	1.02	1.01
2CXC036AC3+*DD060R9V3	NOMINAL	1200	1.00	1.00	1.00
	LOW	1068	0.98	0.98	0.99
	HIGH	1373	1.02	1.02	1.01
2CXC036AC3+*DD080R9V3	NOMINAL	1200	1.00	1.00	1.00
	LOW	989	0.98	0.98	0.99
	HIGH	1271	1.02	1.02	1.01
2CXC036AC3+*DY060R9V3	NOMINAL	1200	1.00	1.00	1.00
	LOW	954	0.98	0.98	0.99
	HIGH	1226	1.02	1.02	1.01
2CXC036AC3+*DY080R9V3	NOMINAL	1200	1.00	1.00	1.00
	LOW	963	0.98	0.98	0.99
	HIGH	1238	1.02	1.02	1.01



# Performance Data Cooling

## 2TTA3036A3/4

**CORRECTION FACTORS FOR OTHER COMBINATIONS (MULTIPLY DATA BY FACTOR)**

INDOOR MODEL		CFM	MBTUH TOT	MBTUH SEN	SYST KW
2CXCB036AC3+*UD060R9V3	NOMINAL	1200	1.00	1.00	1.00
	LOW	1050	0.98	0.98	0.99
	HIGH	1350	1.02	1.02	1.01
2CXCB036AC3+*UD080R9V3	NOMINAL	1200	1.00	1.00	1.00
	LOW	1050	0.98	0.98	0.99
	HIGH	1350	1.02	1.02	1.01
2CXCB036AC3+*UD080R9V4	NOMINAL	1200	1.00	1.00	1.00
	LOW	1033	0.98	0.98	0.99
	HIGH	1328	1.02	1.02	1.01
2CXCB036AC3+*UD100R9V3	NOMINAL	1200	1.00	1.00	1.00
	LOW	1094	0.98	0.98	0.99
	HIGH	1406	1.02	1.02	1.01
2CXCB036AC3+*UY060R9V3	NOMINAL	1200	1.00	1.00	1.00
	LOW	945	0.98	0.98	0.99
	HIGH	1215	1.02	1.02	1.01
2CXCB036AC3+*UY080R9V3	NOMINAL	1200	1.00	1.00	1.00
	LOW	901	0.98	0.98	0.99
	HIGH	1159	1.02	1.02	1.01
2CXCB042AC3	NOMINAL	1200	1.00	1.00	1.00
	LOW	1050	0.98	0.98	0.99
	HIGH	1350	1.02	1.02	1.01
2CXCB042AC3+*DD060R9V3	NOMINAL	1200	1.00	1.00	1.00
	LOW	1068	0.98	0.98	0.99
	HIGH	1373	1.02	1.02	1.01
2CXCB042AC3+*DD080R9V3	NOMINAL	1200	1.00	1.00	1.00
	LOW	989	0.98	0.98	0.99
	HIGH	1271	1.02	1.02	1.01
2CXCB042AC3+*DY060R9V3	NOMINAL	1200	1.00	1.00	1.00
	LOW	954	0.98	0.98	0.99
	HIGH	1226	1.02	1.02	1.01
2CXCB042AC3+*DY080R9V3	NOMINAL	1200	1.00	1.00	1.00
	LOW	963	0.98	0.98	0.99
	HIGH	1238	1.02	1.02	1.01
2CXCB042AC3+*UD060R9V3	NOMINAL	1200	1.00	1.00	1.00
	LOW	1050	0.98	0.98	0.99
	HIGH	1350	1.02	1.02	1.01
2CXCB042AC3+*UD080R9V3	NOMINAL	1200	1.00	1.00	1.00
	LOW	1050	0.98	0.98	0.99
	HIGH	1350	1.02	1.02	1.01
2CXCB042AC3+*UD080R9V4	NOMINAL	1200	1.00	1.00	1.00
	LOW	1033	0.98	0.98	0.99
	HIGH	1328	1.02	1.02	1.01
2CXCB042AC3+*UD100R9V3	NOMINAL	1200	1.00	1.00	1.00
	LOW	1094	0.98	0.98	0.99
	HIGH	1406	1.02	1.02	1.01
2CXCB042AC3+*UY060R9V3	NOMINAL	1200	1.00	1.00	1.00
	LOW	945	0.98	0.98	0.99
	HIGH	1215	1.02	1.02	1.01
2CXCB042AC3+*UY080R9V3	NOMINAL	1200	1.00	1.00	1.00
	LOW	901	0.98	0.98	0.99
	HIGH	1159	1.02	1.02	1.01
2CXCB048AC3	NOMINAL	1200	1.00	1.00	1.00
	LOW	1050	0.98	0.98	0.99
	HIGH	1350	1.02	1.02	1.01
2CXCB048AC3+*DD060R9V3	NOMINAL	1200	1.00	1.00	1.00
	LOW	1068	0.98	0.98	0.99
	HIGH	1373	1.02	1.02	1.01
2CXCB048AC3+*DD080R9V3	NOMINAL	1200	1.00	1.00	1.00
	LOW	989	0.98	0.98	0.99
	HIGH	1271	1.02	1.02	1.01
2CXCB048AC3+*DY060R9V3	NOMINAL	1200	1.00	1.00	1.00
	LOW	954	0.98	0.98	0.99
	HIGH	1226	1.02	1.02	1.01

**CORRECTION FACTORS FOR OTHER COMBINATIONS (MULTIPLY DATA BY FACTOR)**

INDOOR MODEL		CFM	MBTUH TOT	MBTUH SEN	SYST KW
2CXCB048AC3+*DY080R9V3	NOMINAL	1200	1.00	1.00	1.00
	LOW	963	0.98	0.98	0.99
	HIGH	1238	1.02	1.02	1.01
2CXCB048AC3+*UD060R9V3	NOMINAL	1200	1.00	1.00	1.00
	LOW	1050	0.98	0.98	0.99
	HIGH	1350	1.02	1.02	1.01
2CXCB048AC3+*UD080R9V3	NOMINAL	1200	1.00	1.00	1.00
	LOW	1050	0.98	0.98	0.99
	HIGH	1350	1.02	1.02	1.01
2CXCB048AC3+*UD080R9V4	NOMINAL	1200	1.00	1.00	1.00
	LOW	1033	0.98	0.98	0.99
	HIGH	1328	1.02	1.02	1.01
2CXCB048AC3+*UD100R9V3	NOMINAL	1200	1.00	1.00	1.00
	LOW	1094	0.98	0.98	0.99
	HIGH	1406	1.02	1.02	1.01
2CXCB048AC3+*UY060R9V3	NOMINAL	1200	1.00	1.00	1.00
	LOW	945	0.98	0.98	0.99
	HIGH	1215	1.02	1.02	1.01
2CXCB048AC3+*UY080R9V3	NOMINAL	1200	1.00	1.00	1.00
	LOW	901	0.98	0.98	0.99
	HIGH	1159	1.02	1.02	1.01
2CXCC037AC3	NOMINAL	1200	1.00	1.00	1.00
	LOW	1050	0.98	0.98	0.99
	HIGH	1350	1.02	1.02	1.01
2CXCC037AC3+*DY100R9V4	NOMINAL	1200	1.00	1.00	1.00
	LOW	919	0.98	0.98	0.99
	HIGH	1181	1.02	1.02	1.01
2CXCC037AC3+*UY100R9V4	NOMINAL	1200	1.00	1.00	1.00
	LOW	919	0.98	0.98	0.99
	HIGH	1181	1.02	1.02	1.01
2CXCC043AC3	NOMINAL	1200	1.00	1.00	1.00
	LOW	1050	0.98	0.98	0.99
	HIGH	1350	1.02	1.02	1.01
2CXCC043AC3+*DY100R9V4	NOMINAL	1200	1.00	1.00	1.00
	LOW	919	0.98	0.98	0.99
	HIGH	1181	1.02	1.02	1.01
2CXCC043AC3+*UY100R9V4	NOMINAL	1200	1.00	1.00	1.00
	LOW	919	0.98	0.98	0.99
	HIGH	1181	1.02	1.02	1.01
2TEC3F36A1	NOMINAL	1200	1.00	1.00	1.00
	LOW	1050	0.98	0.98	0.99
	HIGH	1350	1.02	1.02	1.01
2TEC3F42A1	NOMINAL	1200	1.00	1.00	1.00
	LOW	1050	0.98	0.98	0.99
	HIGH	1350	1.02	1.02	1.01
2TFE3F25B1	NOMINAL	1200	1.00	1.00	1.00
	LOW	901	0.98	0.98	0.99
	HIGH	1159	1.02	1.02	1.01
2TGB3F36A1	NOMINAL	1200	1.00	1.00	1.00
	LOW	1050	0.98	0.98	0.99
	HIGH	1350	1.02	1.02	1.01
2TGB3F42A1	NOMINAL	1200	1.00	1.00	1.00
	LOW	1050	0.98	0.98	0.99
	HIGH	1350	1.02	1.02	1.01
2TGB3F48A1	NOMINAL	1200	1.00	1.00	1.00
	LOW	1050	0.98	0.98	0.99
	HIGH	1350	1.02	1.02	1.01
2TXCB036AC3+*DD060R9V3	NOMINAL	1200	1.00	1.00	1.00
	LOW	1068	0.98	0.98	0.99
	HIGH	1373	1.02	1.02	1.01
2TXCB036AC3+*DD080R9V3	NOMINAL	1200	1.00	1.00	1.00
	LOW	989	0.98	0.98	0.99
	HIGH	1271	1.02	1.02	1.01



# Performance Data Cooling

## 2TTA3036A3/4

**CORRECTION FACTORS FOR OTHER COMBINATIONS (MULTIPLY DATA BY FACTOR)**

INDOOR MODEL		CFM	MBTUH TOT	MBTUH SEN	SYST KW
2TXCB036AC3+*DY060R9V3	NOMINAL	1200	1.00	1.00	1.00
	LOW	954	0.98	0.98	0.99
	HIGH	1226	1.02	1.02	1.01
2TXCB036AC3+*DY080R9V3	NOMINAL	1200	1.00	1.00	1.00
	LOW	963	0.98	0.98	0.99
	HIGH	1238	1.02	1.02	1.01
2TXCB036AC3+*UD060R9V3	NOMINAL	1200	1.00	1.00	1.00
	LOW	1050	0.98	0.98	0.99
	HIGH	1350	1.02	1.02	1.01
2TXCB036AC3+*UD080R9V3	NOMINAL	1200	1.00	1.00	1.00
	LOW	1050	0.98	0.98	0.99
	HIGH	1350	1.02	1.02	1.01
2TXCB036AC3+*UD080R9V4	NOMINAL	1200	1.00	1.00	1.00
	LOW	1033	0.98	0.98	0.99
	HIGH	1328	1.02	1.02	1.01
2TXCB036AC3+*UD100R9V3	NOMINAL	1200	1.00	1.00	1.00
	LOW	1094	0.98	0.98	0.99
	HIGH	1406	1.02	1.02	1.01
2TXCB036AC3+*UY060R9V3	NOMINAL	1200	1.00	1.00	1.00
	LOW	945	0.98	0.98	0.99
	HIGH	1215	1.02	1.02	1.01
2TXCB036AC3+*UY080R9V3	NOMINAL	1200	1.00	1.00	1.00
	LOW	901	0.98	0.98	0.99
	HIGH	1159	1.02	1.02	1.01
2TXCB036AS3	NOMINAL	1200	1.00	1.00	1.00
	LOW	1050	0.98	0.98	0.99
	HIGH	1350	1.02	1.02	1.01
2TXCB036AS3+*DD060R9V3	NOMINAL	1200	1.00	1.00	1.00
	LOW	1068	0.98	0.98	0.99
	HIGH	1373	1.02	1.02	1.01
2TXCB036AS3+*DD080R9V3	NOMINAL	1200	1.00	1.00	1.00
	LOW	989	0.98	0.98	0.99
	HIGH	1271	1.02	1.02	1.01
2TXCB036AS3+*DY060R9V3	NOMINAL	1200	1.00	1.00	1.00
	LOW	954	0.98	0.98	0.99
	HIGH	1226	1.02	1.02	1.01
2TXCB036AS3+*DY080R9V3	NOMINAL	1200	1.00	1.00	1.00
	LOW	963	0.98	0.98	0.99
	HIGH	1238	1.02	1.02	1.01
2TXCB036AS3+*UD060R9V3	NOMINAL	1200	1.00	1.00	1.00
	LOW	1050	0.98	0.98	0.99
	HIGH	1350	1.02	1.02	1.01
2TXCB036AS3+*UD080R9V3	NOMINAL	1200	1.00	1.00	1.00
	LOW	1050	0.98	0.98	0.99
	HIGH	1350	1.02	1.02	1.01
2TXCB036AS3+*UD080R9V4	NOMINAL	1200	1.00	1.00	1.00
	LOW	1033	0.98	0.98	0.99
	HIGH	1328	1.02	1.02	1.01
2TXCB036AS3+*UD100R9V3	NOMINAL	1200	1.00	1.00	1.00
	LOW	1094	0.98	0.98	0.99
	HIGH	1406	1.02	1.02	1.01
2TXCB036AS3+*UY060R9V3	NOMINAL	1200	1.00	1.00	1.00
	LOW	945	0.98	0.98	0.99
	HIGH	1215	1.02	1.02	1.01
2TXCB036AS3+*UY080R9V3	NOMINAL	1200	1.00	1.00	1.00
	LOW	901	0.98	0.98	0.99
	HIGH	1159	1.02	1.02	1.01
2TXCB042AC3	NOMINAL	1200	1.00	1.00	1.00
	LOW	1050	0.98	0.98	0.99
	HIGH	1350	1.02	1.02	1.01
2TXCB042AC3+*DD060R9V3	NOMINAL	1200	1.00	1.00	1.00
	LOW	1068	0.98	0.98	0.99
	HIGH	1373	1.02	1.02	1.01

**CORRECTION FACTORS FOR OTHER COMBINATIONS (MULTIPLY DATA BY FACTOR)**

INDOOR MODEL		CFM	MBTUH TOT	MBTUH SEN	SYST KW
2TXCB042AC3+*DD080R9V3	NOMINAL	1200	1.00	1.00	1.00
	LOW	989	0.98	0.98	0.99
	HIGH	1271	1.02	1.02	1.01
2TXCB042AC3+*DY060R9V3	NOMINAL	1200	1.00	1.00	1.00
	LOW	954	0.98	0.98	0.99
	HIGH	1226	1.02	1.02	1.01
2TXCB042AC3+*DY080R9V3	NOMINAL	1200	1.00	1.00	1.00
	LOW	963	0.98	0.98	0.99
	HIGH	1238	1.02	1.02	1.01
2TXCB042AC3+*UD060R9V3	NOMINAL	1200	1.00	1.00	1.00
	LOW	1050	0.98	0.98	0.99
	HIGH	1350	1.02	1.02	1.01
2TXCB042AC3+*UD080R9V3	NOMINAL	1200	1.00	1.00	1.00
	LOW	1050	0.98	0.98	0.99
	HIGH	1350	1.02	1.02	1.01
2TXCB042AC3+*UD080R9V4	NOMINAL	1200	1.00	1.00	1.00
	LOW	1033	0.98	0.98	0.99
	HIGH	1328	1.02	1.02	1.01
2TXCB042AC3+*UD100R9V3	NOMINAL	1200	1.00	1.00	1.00
	LOW	1094	0.98	0.98	0.99
	HIGH	1406	1.02	1.02	1.01
2TXCB042AC3+*UY060R9V3	NOMINAL	1200	1.00	1.00	1.00
	LOW	945	0.98	0.98	0.99
	HIGH	1215	1.02	1.02	1.01
2TXCB042AC3+*UY080R9V3	NOMINAL	1200	1.00	1.00	1.00
	LOW	901	0.98	0.98	0.99
	HIGH	1159	1.02	1.02	1.01
2TXCB048AC3	NOMINAL	1200	1.00	1.00	1.00
	LOW	1050	0.98	0.98	0.99
	HIGH	1350	1.02	1.02	1.01
2TXCB048AC3+*DD060R9V3	NOMINAL	1200	1.00	1.00	1.00
	LOW	1068	0.98	0.98	0.99
	HIGH	1373	1.02	1.02	1.01
2TXCB048AC3+*DD080R9V3	NOMINAL	1200	1.00	1.00	1.00
	LOW	989	0.98	0.98	0.99
	HIGH	1271	1.02	1.02	1.01
2TXCB048AC3+*DY060R9V3	NOMINAL	1200	1.00	1.00	1.00
	LOW	954	0.98	0.98	0.99
	HIGH	1226	1.02	1.02	1.01
2TXCB048AC3+*DY080R9V3	NOMINAL	1200	1.00	1.00	1.00
	LOW	963	0.98	0.98	0.99
	HIGH	1238	1.02	1.02	1.01
2TXCB048AC3+*UD060R9V3	NOMINAL	1200	1.00	1.00	1.00
	LOW	1050	0.98	0.98	0.99
	HIGH	1350	1.02	1.02	1.01
2TXCB048AC3+*UD080R9V3	NOMINAL	1200	1.00	1.00	1.00
	LOW	1050	0.98	0.98	0.99
	HIGH	1350	1.02	1.02	1.01
2TXCB048AC3+*UD080R9V4	NOMINAL	1200	1.00	1.00	1.00
	LOW	1033	0.98	0.98	0.99
	HIGH	1328	1.02	1.02	1.01
2TXCB048AC3+*UD100R9V3	NOMINAL	1200	1.00	1.00	1.00
	LOW	1094	0.98	0.98	0.99
	HIGH	1406	1.02	1.02	1.01
2TXCB048AC3+*UY060R9V3	NOMINAL	1200	1.00	1.00	1.00
	LOW	945	0.98	0.98	0.99
	HIGH	1215	1.02	1.02	1.01
2TXCB048AC3+*UY080R9V3	NOMINAL	1200	1.00	1.00	1.00
	LOW	901	0.98	0.98	0.99
	HIGH	1159	1.02	1.02	1.01
2TXCC037AC3	NOMINAL	1200	1.00	1.00	1.00
	LOW	1050	0.98	0.98	0.99
	HIGH	1350	1.02	1.02	1.01



# Performance Data Cooling

## 2TTA3036A3/4

**CORRECTION FACTORS FOR OTHER COMBINATIONS (MULTIPLY DATA BY FACTOR)**

INDOOR MODEL		CFM	MBTUH TOT	MBTUH SEN	SYST KW
2TXCC037AC3+*DY100R9V4	NOMINAL	1200	1.00	1.00	1.00
	LOW	919	0.98	0.98	0.99
	HIGH	1181	1.02	1.02	1.01
2TXCC037AC3+*UY100R9V4	NOMINAL	1200	1.00	1.00	1.00
	LOW	919	0.98	0.98	0.99
	HIGH	1181	1.02	1.02	1.01
2TXCC037AS3	NOMINAL	1200	1.00	1.00	1.00
	LOW	1050	0.98	0.98	0.99
	HIGH	1350	1.02	1.02	1.01
2TXCC037AS3+*DY100R9V4	NOMINAL	1200	1.00	1.00	1.00
	LOW	919	0.98	0.98	0.99
	HIGH	1181	1.02	1.02	1.01
2TXCC043AC3	NOMINAL	1200	1.00	1.00	1.00
	LOW	1050	0.98	0.98	0.99
	HIGH	1350	1.02	1.02	1.01
2TXCC043AC3+*DY100R9V4	NOMINAL	1200	1.00	1.00	1.00
	LOW	919	0.98	0.98	0.99
	HIGH	1181	1.02	1.02	1.01
2TXCC054AS3	NOMINAL	1200	1.00	1.00	1.00
	LOW	1050	0.98	0.98	0.99
	HIGH	1350	1.02	1.02	1.01
2TXCC054AS3+*DY100R9V4	NOMINAL	1200	1.00	1.00	1.00
	LOW	919	0.98	0.98	0.99
	HIGH	1181	1.02	1.02	1.01
2TXFH033AS3	NOMINAL	1200	1.00	1.00	1.00
	LOW	1050	0.98	0.98	0.99
	HIGH	1350	1.02	1.02	1.01
2TXFH033AS3+*DD060R9V3	NOMINAL	1200	1.00	1.00	1.00
	LOW	1059	0.98	0.98	0.99
	HIGH	1361	1.02	1.02	1.01
2TXFH033AS3+*DD080R9V3	NOMINAL	1200	1.00	1.00	1.00
	LOW	989	0.98	0.98	0.99
	HIGH	1271	1.02	1.02	1.01
2TXFH033AS3+*DY060R9V3	NOMINAL	1200	1.00	1.00	1.00
	LOW	936	0.98	0.98	0.99
	HIGH	1204	1.02	1.02	1.01
2TXFH033AS3+*DY080R9V3	NOMINAL	1200	1.00	1.00	1.00
	LOW	971	0.98	0.98	0.99
	HIGH	1249	1.02	1.02	1.01
2TXFH033AS3+*DY100R9V4	NOMINAL	1200	1.00	1.00	1.00
	LOW	919	0.98	0.98	0.99
	HIGH	1181	1.02	1.02	1.01
2TXFH033AS3+*UD060R9V3	NOMINAL	1200	1.00	1.00	1.00
	LOW	1059	0.98	0.98	0.99
	HIGH	1361	1.02	1.02	1.01
2TXFH033AS3+*UD080R9V3	NOMINAL	1200	1.00	1.00	1.00
	LOW	1050	0.98	0.98	0.99
	HIGH	1350	1.02	1.02	1.01
2TXFH033AS3+*UD080R9V4	NOMINAL	1200	1.00	1.00	1.00
	LOW	1033	0.98	0.98	0.99
	HIGH	1328	1.02	1.02	1.01
2TXFH033AS3+*UY060R9V3	NOMINAL	1200	1.00	1.00	1.00
	LOW	936	0.98	0.98	0.99
	HIGH	1204	1.02	1.02	1.01
2TXFH033AS3+*UY080R9V3	NOMINAL	1200	1.00	1.00	1.00
	LOW	901	0.98	0.98	0.99
	HIGH	1159	1.02	1.02	1.01
2TXFH041AS3	NOMINAL	1200	1.00	1.00	1.00
	LOW	1050	0.98	0.98	0.99
	HIGH	1350	1.02	1.02	1.01
2TXFH041AS3+*DD060R9V3	NOMINAL	1200	1.00	1.00	1.00
	LOW	1059	0.98	0.98	0.99
	HIGH	1361	1.02	1.02	1.01

**CORRECTION FACTORS FOR OTHER COMBINATIONS (MULTIPLY DATA BY FACTOR)**

INDOOR MODEL		CFM	MBTUH TOT	MBTUH SEN	SYST KW
2TXFH041AS3+*DD080R9V3	NOMINAL	1200	1.00	1.00	1.00
	LOW	998	0.98	0.98	0.99
	HIGH	1283	1.02	1.02	1.01
2TXFH041AS3+*DY060R9V3	NOMINAL	1200	1.00	1.00	1.00
	LOW	936	0.98	0.98	0.99
	HIGH	1204	1.02	1.02	1.01
2TXFH041AS3+*DY080R9V3	NOMINAL	1200	1.00	1.00	1.00
	LOW	971	0.98	0.98	0.99
	HIGH	1249	1.02	1.02	1.01
2TXFH041AS3+*DY100R9V4	NOMINAL	1200	1.00	1.00	1.00
	LOW	928	0.98	0.98	0.99
	HIGH	1193	1.02	1.02	1.01
2TXFH041AS3+*UD060R9V3	NOMINAL	1200	1.00	1.00	1.00
	LOW	1059	0.98	0.98	0.99
	HIGH	1361	1.02	1.02	1.01
2TXFH041AS3+*UD080R9V3	NOMINAL	1200	1.00	1.00	1.00
	LOW	1050	0.98	0.98	0.99
	HIGH	1350	1.02	1.02	1.01
2TXFH041AS3+*UD080R9V4	NOMINAL	1200	1.00	1.00	1.00
	LOW	1033	0.98	0.98	0.99
	HIGH	1328	1.02	1.02	1.01
2TXFH041AS3+*UD100R9V3	NOMINAL	1200	1.00	1.00	1.00
	LOW	1076	0.98	0.98	0.99
	HIGH	1384	1.02	1.02	1.01
2TXFH041AS3+*UY060R9V3	NOMINAL	1200	1.00	1.00	1.00
	LOW	928	0.98	0.98	0.99
	HIGH	1193	1.02	1.02	1.01
2TXFH041AS3+*UY080R9V3	NOMINAL	1200	1.00	1.00	1.00
	LOW	901	0.98	0.98	0.99
	HIGH	1159	1.02	1.02	1.01
TWE030P13	NOMINAL	1200	1.00	1.00	1.00
	LOW	919	0.98	0.98	0.99
	HIGH	1181	1.02	1.02	1.01
TWE031E13	NOMINAL	1200	1.00	1.00	1.00
	LOW	1068	0.98	0.98	0.99
	HIGH	1373	1.02	1.02	1.01
TWE036C14+TAYTXVH-3	NOMINAL	1200	1.00	1.00	1.00
	LOW	1050	0.98	0.98	0.99
	HIGH	1350	1.02	1.02	1.01
TWE036C14+TYATXV-3	NOMINAL	1200	1.00	1.00	1.00
	LOW	1050	0.98	0.98	0.99
	HIGH	1350	1.02	1.02	1.01
TWE036P13	NOMINAL	1200	1.00	1.00	1.00
	LOW	1050	0.98	0.98	0.99
	HIGH	1350	1.02	1.02	1.01
TWE037E13	NOMINAL	1200	1.00	1.00	1.00
	LOW	1015	0.98	0.98	0.99
	HIGH	1305	1.02	1.02	1.01
TWE040E13	NOMINAL	1200	1.00	1.00	1.00
	LOW	1050	0.98	0.98	0.99
	HIGH	1350	1.02	1.02	1.01
TWE042C14+TAYTXVH-3	NOMINAL	1200	1.00	1.00	1.00
	LOW	919	0.98	0.98	0.99
	HIGH	1181	1.02	1.02	1.01
TWE042C14+TYATXV-3	NOMINAL	1200	1.00	1.00	1.00
	LOW	919	0.98	0.98	0.99
	HIGH	1181	1.02	1.02	1.01
TWE042P13	NOMINAL	1200	1.00	1.00	1.00
	LOW	1050	0.98	0.98	0.99
	HIGH	1350	1.02	1.02	1.01
TWE049E13	NOMINAL	1200	1.00	1.00	1.00
	LOW	1050	0.98	0.98	0.99
	HIGH	1350	1.02	1.02	1.01



# Performance Data Cooling

## 2TTA3036A3/4

**CORRECTION FACTORS FOR OTHER COMBINATIONS (MULTIPLY DATA BY FACTOR)**

INDOOR MODEL		CFM	MBTUH TOT	MBTUH SEN	SYST KW
TWG042A14+TYATXV-3	NOMINAL	1200	1.00	1.00	1.00
	LOW	1050	0.98	0.98	0.99
	HIGH	1350	1.02	1.02	1.01
TXA036C4+TAYTXVH-3	NOMINAL	1200	1.00	1.00	1.00
	LOW	1050	0.98	0.98	0.99
	HIGH	1350	1.02	1.02	1.01
TXA036C4+TYATXV-3	NOMINAL	1200	1.00	1.00	1.00
	LOW	1050	0.98	0.98	0.99
	HIGH	1350	1.02	1.02	1.01
TXA037C4+TAYTXVH-3	NOMINAL	1200	1.00	1.00	1.00
	LOW	1050	0.98	0.98	0.99
	HIGH	1350	1.02	1.02	1.01
TXA037C4+TYATXV-3	NOMINAL	1200	1.00	1.00	1.00
	LOW	1050	0.98	0.98	0.99
	HIGH	1350	1.02	1.02	1.01
TXA042C4+TAYTXVH-3	NOMINAL	1200	1.00	1.00	1.00
	LOW	1050	0.98	0.98	0.99
	HIGH	1350	1.02	1.02	1.01
TXA042C4+TYATXV-3	NOMINAL	1200	1.00	1.00	1.00
	LOW	1050	0.98	0.98	0.99
	HIGH	1350	1.02	1.02	1.01
TXA043C4+TAYTXVH-3	NOMINAL	1200	1.00	1.00	1.00
	LOW	1050	0.98	0.98	0.99
	HIGH	1350	1.02	1.02	1.01
TXA043C4+TYATXV-3	NOMINAL	1200	1.00	1.00	1.00
	LOW	1050	0.98	0.98	0.99
	HIGH	1350	1.02	1.02	1.01
TXC031C4+TAYTXVH-3	NOMINAL	1200	1.00	1.00	1.00
	LOW	963	0.98	0.98	0.99
	HIGH	1238	1.02	1.02	1.01
TXC031C4+TYATXV-3	NOMINAL	1200	1.00	1.00	1.00
	LOW	963	0.98	0.98	0.99
	HIGH	1238	1.02	1.02	1.01
TXC031D4+TAYTXVH-3	NOMINAL	1200	1.00	1.00	1.00
	LOW	963	0.98	0.98	0.99
	HIGH	1238	1.02	1.02	1.01
TXC031D4+TYATXV-3	NOMINAL	1200	1.00	1.00	1.00
	LOW	963	0.98	0.98	0.99
	HIGH	1238	1.02	1.02	1.01
TXC036C4+TAYTXVH-3	NOMINAL	1200	1.00	1.00	1.00
	LOW	1050	0.98	0.98	0.99
	HIGH	1350	1.02	1.02	1.01
TXC036C4+TYATXV-3	NOMINAL	1200	1.00	1.00	1.00
	LOW	1050	0.98	0.98	0.99
	HIGH	1350	1.02	1.02	1.01
TXC036D4+TAYTXVH-3	NOMINAL	1200	1.00	1.00	1.00
	LOW	1050	0.98	0.98	0.99
	HIGH	1350	1.02	1.02	1.01
TXC036D4+TYATXV-3	NOMINAL	1200	1.00	1.00	1.00
	LOW	1050	0.98	0.98	0.99
	HIGH	1350	1.02	1.02	1.01
TXC036S3	NOMINAL	1200	1.00	1.00	1.00
	LOW	1050	0.98	0.98	0.99
	HIGH	1350	1.02	1.02	1.01
TXC036S3+*DD060R9V3	NOMINAL	1200	1.00	1.00	1.00
	LOW	1068	0.98	0.98	0.99
	HIGH	1373	1.02	1.02	1.01
TXC036S3+*DD080R9V3	NOMINAL	1200	1.00	1.00	1.00
	LOW	989	0.98	0.98	0.99
	HIGH	1271	1.02	1.02	1.01
TXC036S3+*DY060R9V3	NOMINAL	1200	1.00	1.00	1.00
	LOW	954	0.98	0.98	0.99
	HIGH	1226	1.02	1.02	1.01

**CORRECTION FACTORS FOR OTHER COMBINATIONS (MULTIPLY DATA BY FACTOR)**

INDOOR MODEL		CFM	MBTUH TOT	MBTUH SEN	SYST KW
TXC036S3+*DY080R9V3	NOMINAL	1200	1.00	1.00	1.00
	LOW	963	0.98	0.98	0.99
	HIGH	1238	1.02	1.02	1.01
TXC036S3+*UD060R9V3	NOMINAL	1200	1.00	1.00	1.00
	LOW	1050	0.98	0.98	0.99
	HIGH	1350	1.02	1.02	1.01
TXC036S3+*UD080R9V3	NOMINAL	1200	1.00	1.00	1.00
	LOW	1050	0.98	0.98	0.99
	HIGH	1350	1.02	1.02	1.01
TXC036S3+*UD080R9V4	NOMINAL	1200	1.00	1.00	1.00
	LOW	1033	0.98	0.98	0.99
	HIGH	1328	1.02	1.02	1.01
TXC036S3+*UD100R9V3	NOMINAL	1200	1.00	1.00	1.00
	LOW	1094	0.98	0.98	0.99
	HIGH	1406	1.02	1.02	1.01
TXC036S3+*UY060R9V3	NOMINAL	1200	1.00	1.00	1.00
	LOW	945	0.98	0.98	0.99
	HIGH	1215	1.02	1.02	1.01
TXC036S3+*UY080R9V3	NOMINAL	1200	1.00	1.00	1.00
	LOW	901	0.98	0.98	0.99
	HIGH	1159	1.02	1.02	1.01
TXC037C4+TAYTXVH-3	NOMINAL	1200	1.00	1.00	1.00
	LOW	1050	0.98	0.98	0.99
	HIGH	1350	1.02	1.02	1.01
TXC037C4+TYATXV-3	NOMINAL	1200	1.00	1.00	1.00
	LOW	1050	0.98	0.98	0.99
	HIGH	1350	1.02	1.02	1.01
TXC037S3	NOMINAL	1200	1.00	1.00	1.00
	LOW	1050	0.98	0.98	0.99
	HIGH	1350	1.02	1.02	1.01
TXC037S3+*DY100R9V4	NOMINAL	1200	1.00	1.00	1.00
	LOW	919	0.98	0.98	0.99
	HIGH	1181	1.02	1.02	1.01
TXC042C4+TAYTXVH-3	NOMINAL	1200	1.00	1.00	1.00
	LOW	1050	0.98	0.98	0.99
	HIGH	1350	1.02	1.02	1.01
TXC042C4+TYATXV-3	NOMINAL	1200	1.00	1.00	1.00
	LOW	1050	0.98	0.98	0.99
	HIGH	1350	1.02	1.02	1.01
TXC043C4+TAYTXVH-3	NOMINAL	1200	1.00	1.00	1.00
	LOW	1050	0.98	0.98	0.99
	HIGH	1350	1.02	1.02	1.01
TXC043C4+TYATXV-3	NOMINAL	1200	1.00	1.00	1.00
	LOW	1050	0.98	0.98	0.99
	HIGH	1350	1.02	1.02	1.01
TXC054S3	NOMINAL	1200	1.00	1.00	1.00
	LOW	1050	0.98	0.98	0.99
	HIGH	1350	1.02	1.02	1.01
TXC054S3+*DY100R9V4	NOMINAL	1200	1.00	1.00	1.00
	LOW	919	0.98	0.98	0.99
	HIGH	1181	1.02	1.02	1.01
TXH033A4+TAYTXVH-3+*DD060R9V3	NOMINAL	1200	1.00	1.00	1.00
	LOW	1059	0.98	0.98	0.99
	HIGH	1361	1.02	1.02	1.01
TXH033A4+TAYTXVH-3+*DD080R9V3	NOMINAL	1200	1.00	1.00	1.00
	LOW	989	0.98	0.98	0.99
	HIGH	1271	1.02	1.02	1.01
TXH033A4+TAYTXVH-3+*DD100R9V5	NOMINAL	1200	1.00	1.00	1.00
	LOW	1033	0.98	0.98	0.99
	HIGH	1328	1.02	1.02	1.01
TXH033A4+TAYTXVH-3+*DY060R9V3	NOMINAL	1200	1.00	1.00	1.00
	LOW	936	0.98	0.98	0.99
	HIGH	1204	1.02	1.02	1.01



# Performance Data Cooling

## 2TTA3036A3/4

**CORRECTION FACTORS FOR OTHER COMBINATIONS (MULTIPLY DATA BY FACTOR)**

INDOOR MODEL		CFM	MBTUH TOT	MBTUH SEN	SYST KW
TXH033A4+TAYTXVH-3+*DY080R9V3	NOMINAL	1200	1.00	1.00	1.00
	LOW	971	0.98	0.98	0.99
	HIGH	1249	1.02	1.02	1.01
TXH033A4+TAYTXVH-3+*DY100R9V4	NOMINAL	1200	1.00	1.00	1.00
	LOW	919	0.98	0.98	0.99
	HIGH	1181	1.02	1.02	1.01
TXH033A4+TAYTXVH-3+*UD060R9V3	NOMINAL	1200	1.00	1.00	1.00
	LOW	1059	0.98	0.98	0.99
	HIGH	1361	1.02	1.02	1.01
TXH033A4+TAYTXVH-3+*UD080R9V3	NOMINAL	1200	1.00	1.00	1.00
	LOW	1050	0.98	0.98	0.99
	HIGH	1350	1.02	1.02	1.01
TXH033A4+TAYTXVH-3+*UD080R9V4	NOMINAL	1200	1.00	1.00	1.00
	LOW	1033	0.98	0.98	0.99
	HIGH	1328	1.02	1.02	1.01
TXH033A4+TAYTXVH-3+*UD100R9V5	NOMINAL	1200	1.00	1.00	1.00
	LOW	1059	0.98	0.98	0.99
	HIGH	1361	1.02	1.02	1.01
TXH033A4+TAYTXVH-3+*UY060R9V3	NOMINAL	1200	1.00	1.00	1.00
	LOW	936	0.98	0.98	0.99
	HIGH	1204	1.02	1.02	1.01
TXH033A4+TAYTXVH-3+*UY080R9V3	NOMINAL	1200	1.00	1.00	1.00
	LOW	901	0.98	0.98	0.99
	HIGH	1159	1.02	1.02	1.01
TXH033A4+TYATXV-3	NOMINAL	1200	1.00	1.00	1.00
	LOW	1050	0.98	0.98	0.99
	HIGH	1350	1.02	1.02	1.01
TXH033A4+TYATXV-3+*DD060R9V3	NOMINAL	1200	1.00	1.00	1.00
	LOW	1059	0.98	0.98	0.99
	HIGH	1361	1.02	1.02	1.01
TXH033A4+TYATXV-3+*DD080R9V3	NOMINAL	1200	1.00	1.00	1.00
	LOW	989	0.98	0.98	0.99
	HIGH	1271	1.02	1.02	1.01
TXH033A4+TYATXV-3+*DD100R9V5	NOMINAL	1200	1.00	1.00	1.00
	LOW	1033	0.98	0.98	0.99
	HIGH	1328	1.02	1.02	1.01
TXH033A4+TYATXV-3+*DY060R9V3	NOMINAL	1200	1.00	1.00	1.00
	LOW	936	0.98	0.98	0.99
	HIGH	1204	1.02	1.02	1.01
TXH033A4+TYATXV-3+*DY080R9V3	NOMINAL	1200	1.00	1.00	1.00
	LOW	971	0.98	0.98	0.99
	HIGH	1249	1.02	1.02	1.01
TXH033A4+TYATXV-3+*DY100R9V4	NOMINAL	1200	1.00	1.00	1.00
	LOW	919	0.98	0.98	0.99
	HIGH	1181	1.02	1.02	1.01
TXH033A4+TYATXV-3+*UD060R9V3	NOMINAL	1200	1.00	1.00	1.00
	LOW	1059	0.98	0.98	0.99
	HIGH	1361	1.02	1.02	1.01
TXH033A4+TYATXV-3+*UD080R9V3	NOMINAL	1200	1.00	1.00	1.00
	LOW	1050	0.98	0.98	0.99
	HIGH	1350	1.02	1.02	1.01
TXH033A4+TYATXV-3+*UD080R9V4	NOMINAL	1200	1.00	1.00	1.00
	LOW	1033	0.98	0.98	0.99
	HIGH	1328	1.02	1.02	1.01
TXH033A4+TYATXV-3+*UD100R9V5	NOMINAL	1200	1.00	1.00	1.00
	LOW	1059	0.98	0.98	0.99
	HIGH	1361	1.02	1.02	1.01
TXH033A4+TYATXV-3+*UY060R9V3	NOMINAL	1200	1.00	1.00	1.00
	LOW	936	0.98	0.98	0.99
	HIGH	1204	1.02	1.02	1.01
TXH033A4+TYATXV-3+*UY080R9V3	NOMINAL	1200	1.00	1.00	1.00
	LOW	901	0.98	0.98	0.99
	HIGH	1159	1.02	1.02	1.01

**CORRECTION FACTORS FOR OTHER COMBINATIONS (MULTIPLY DATA BY FACTOR)**

INDOOR MODEL		CFM	MBTUH TOT	MBTUH SEN	SYST KW
TXH041A4+TAYTXVH-3	NOMINAL	1200	1.00	1.00	1.00
	LOW	1050	0.98	0.98	0.99
	HIGH	1350	1.02	1.02	1.01
TXH041A4+TAYTXVH-3+*DD060R9V3	NOMINAL	1200	1.00	1.00	1.00
	LOW	1059	0.98	0.98	0.99
	HIGH	1361	1.02	1.02	1.01
TXH041A4+TAYTXVH-3+*DD080R9V3	NOMINAL	1200	1.00	1.00	1.00
	LOW	998	0.98	0.98	0.99
	HIGH	1283	1.02	1.02	1.01
TXH041A4+TAYTXVH-3+*DD100R9V5	NOMINAL	1200	1.00	1.00	1.00
	LOW	1033	0.98	0.98	0.99
	HIGH	1328	1.02	1.02	1.01
TXH041A4+TAYTXVH-3+*DY060R9V3	NOMINAL	1200	1.00	1.00	1.00
	LOW	936	0.98	0.98	0.99
	HIGH	1204	1.02	1.02	1.01
TXH041A4+TAYTXVH-3+*DY080R9V3	NOMINAL	1200	1.00	1.00	1.00
	LOW	971	0.98	0.98	0.99
	HIGH	1249	1.02	1.02	1.01
TXH041A4+TAYTXVH-3+*DY100R9V4	NOMINAL	1200	1.00	1.00	1.00
	LOW	928	0.98	0.98	0.99
	HIGH	1193	1.02	1.02	1.01
TXH041A4+TAYTXVH-3+*UD060R9V3	NOMINAL	1200	1.00	1.00	1.00
	LOW	1059	0.98	0.98	0.99
	HIGH	1361	1.02	1.02	1.01
TXH041A4+TAYTXVH-3+*UD080R9V3	NOMINAL	1200	1.00	1.00	1.00
	LOW	1050	0.98	0.98	0.99
	HIGH	1350	1.02	1.02	1.01
TXH041A4+TAYTXVH-3+*UD080R9V4	NOMINAL	1200	1.00	1.00	1.00
	LOW	1033	0.98	0.98	0.99
	HIGH	1328	1.02	1.02	1.01
TXH041A4+TAYTXVH-3+*UD100R9V3	NOMINAL	1200	1.00	1.00	1.00
	LOW	1076	0.98	0.98	0.99
	HIGH	1384	1.02	1.02	1.01
TXH041A4+TAYTXVH-3+*UD100R9V5	NOMINAL	1200	1.00	1.00	1.00
	LOW	1059	0.98	0.98	0.99
	HIGH	1361	1.02	1.02	1.01
TXH041A4+TAYTXVH-3+*UY060R9V3	NOMINAL	1200	1.00	1.00	1.00
	LOW	928	0.98	0.98	0.99
	HIGH	1193	1.02	1.02	1.01
TXH041A4+TAYTXVH-3+*UY080R9V3	NOMINAL	1200	1.00	1.00	1.00
	LOW	901	0.98	0.98	0.99
	HIGH	1159	1.02	1.02	1.01
TXH041A4+TYATXV-3	NOMINAL	1200	1.00	1.00	1.00
	LOW	1050	0.98	0.98	0.99
	HIGH	1350	1.02	1.02	1.01
TXH041A4+TYATXV-3+*DD060R9V3	NOMINAL	1200	1.00	1.00	1.00
	LOW	1059	0.98	0.98	0.99
	HIGH	1361	1.02	1.02	1.01
TXH041A4+TYATXV-3+*DD080R9V3	NOMINAL	1200	1.00	1.00	1.00
	LOW	998	0.98	0.98	0.99
	HIGH	1283	1.02	1.02	1.01
TXH041A4+TYATXV-3+*DD100R9V5	NOMINAL	1200	1.00	1.00	1.00
	LOW	1033	0.98	0.98	0.99
	HIGH	1328	1.02	1.02	1.01
TXH041A4+TYATXV-3+*DY060R9V3	NOMINAL	1200	1.00	1.00	1.00
	LOW	936	0.98	0.98	0.99
	HIGH	1204	1.02	1.02	1.01
TXH041A4+TYATXV-3+*DY080R9V3	NOMINAL	1200	1.00	1.00	1.00
	LOW	971	0.98	0.98	0.99
	HIGH	1249	1.02	1.02	1.01
TXH041A4+TYATXV-3+*DY100R9V4	NOMINAL	1200	1.00	1.00	1.00
	LOW	928	0.98	0.98	0.99
	HIGH	1193	1.02	1.02	1.01



# Performance Data Cooling

## 2TTA3036A3/4

### CORRECTION FACTORS FOR OTHER COMBINATIONS (MULTIPLY DATA BY FACTOR)

INDOOR MODEL		CFM	MBTUH TOT	MBTUH SEN	SYST KW
TXH041A4+TYATXV-3+*UD060R9V3	NOMINAL	1200	1.00	1.00	1.00
	LOW	1059	0.98	0.98	0.99
	HIGH	1361	1.02	1.02	1.01
TXH041A4+TYATXV-3+*UD080R9V3	NOMINAL	1200	1.00	1.00	1.00
	LOW	1050	0.98	0.98	0.99
	HIGH	1350	1.02	1.02	1.01
TXH041A4+TYATXV-3+*UD080R9V4	NOMINAL	1200	1.00	1.00	1.00
	LOW	1033	0.98	0.98	0.99
	HIGH	1328	1.02	1.02	1.01
TXH041A4+TYATXV-3+*UD100R9V3	NOMINAL	1200	1.00	1.00	1.00
	LOW	1076	0.98	0.98	0.99
	HIGH	1384	1.02	1.02	1.01

### CORRECTION FACTORS FOR OTHER COMBINATIONS (MULTIPLY DATA BY FACTOR)

INDOOR MODEL		CFM	MBTUH TOT	MBTUH SEN	SYST KW
TXH041A4+TYATXV-3+*UD100R9V5	NOMINAL	1200	1.00	1.00	1.00
	LOW	1059	0.98	0.98	0.99
	HIGH	1361	1.02	1.02	1.01
TXH041A4+TYATXV-3+*UY060R9V3	NOMINAL	1200	1.00	1.00	1.00
	LOW	928	0.98	0.98	0.99
	HIGH	1193	1.02	1.02	1.01
TXH041A4+TYATXV-3+*UY080R9V3	NOMINAL	1200	1.00	1.00	1.00
	LOW	901	0.98	0.98	0.99
	HIGH	1159	1.02	1.02	1.01

## 2TTA3042A3/4

### 2TTA3042A3/4 WITH 2TXCB042AC3 AT 1199 CFM

O.D. D.B.	I.D. W.B.	TOT. CAP.	SENS. CAP. AT ENTERING D.B. TEMP.				TOTAL KW
			72	75	78	80	
85	59	36.8	22.6	27.2	31.7	34.7	3.06
	63	38.3	20.7	24.9	29.1	31.8	3.08
	67	41.3	17.9	21.5	25.1	27.4	3.13
	71	44.6	14.8	17.9	20.8	22.8	3.16
95	59	34.7	21.8	26.2	30.6	33.4	3.29
	63	36.1	20.0	24.1	28.1	30.7	3.31
	67	39.0	17.3	20.8	24.2	26.5	3.36
	71	42.1	14.3	17.2	20.1	22.0	3.39
105	59	32.6	21.0	25.2	29.4	32.1	3.51
	63	34.0	19.2	23.1	27.0	29.5	3.54
	67	36.6	16.6	20.0	23.3	25.4	3.60
	71	39.5	13.8	16.6	19.3	21.1	3.63
115	59	30.5	20.1	24.1	28.1	30.5	3.74
	63	31.8	18.4	22.1	25.8	28.2	3.77
	67	34.3	15.9	19.1	22.3	24.3	3.83
	71	37.0	13.2	15.8	18.5	20.2	3.86

### CORRECTION FACTORS FOR OTHER AIRFLOWS (MULTIPLY DATA BY FACTOR)

AIRFLOW	TOTAL CAPACITY	SENSIBLE CAPACITY
LOW	1049	0.98
HIGH	1349	1.02

NOTE: ALL TABLES ABOVE ARE AT ARI RATING CONDITIONS RATED WITH 25 FEET OF REFRIGERANT LINES.  
\* DRY COIL CONDITION (TOTAL CAPACITY = SENSIBLE CAPACITY)  
TOTAL CAPACITY, COMP. KW AND APP. DEW PT. ARE VALID ONLY FOR WET COIL. ALL TEMPERATURES IN DEGREES F.

### CORRECTION FACTORS FOR OTHER COMBINATIONS (MULTIPLY DATA BY FACTOR)

INDOOR MODEL		CFM	MBTUH TOT	MBTUH SEN	SYST KW
2CXAB042AC3	NOMINAL	1199	1.00	1.00	1.00
	LOW	1094	0.98	0.98	0.99
	HIGH	1406	1.02	1.02	1.01
2CXAB042AC3+*UD080R9V4	NOMINAL	1199	1.00	1.00	1.00
	LOW	1225	0.98	0.98	0.99
	HIGH	1575	1.02	1.02	1.01
2CXAB048AC3	NOMINAL	1199	1.00	1.00	1.00
	LOW	1068	0.98	0.98	0.99
	HIGH	1373	1.02	1.02	1.01

### CORRECTION FACTORS FOR OTHER COMBINATIONS (MULTIPLY DATA BY FACTOR)

INDOOR MODEL		CFM	MBTUH TOT	MBTUH SEN	SYST KW
2CXAB048AC3+*UD080R9V4	NOMINAL	1199	1.00	1.00	1.00
	LOW	1225	0.98	0.98	0.99
	HIGH	1575	1.02	1.02	1.01
2CXAC043AC3	NOMINAL	1199	1.00	1.00	1.00
	LOW	1225	0.98	0.98	0.99
	HIGH	1575	1.02	1.02	1.01
2CXAC043AC3+*DY100R9V4	NOMINAL	1199	1.00	1.00	1.00
	LOW	1076	0.98	0.98	0.99
	HIGH	1384	1.02	1.02	1.01
2CXAC043AC3+*UY100R9V4	NOMINAL	1199	1.00	1.00	1.00
	LOW	1068	0.98	0.98	0.99
	HIGH	1373	1.02	1.02	1.01
2CXAC049AC3	NOMINAL	1199	1.00	1.00	1.00
	LOW	1225	0.98	0.98	0.99
	HIGH	1575	1.02	1.02	1.01
2CXAC049AC3+*DY100R9V4	NOMINAL	1199	1.00	1.00	1.00
	LOW	1076	0.98	0.98	0.99
	HIGH	1384	1.02	1.02	1.01
2CXAC049AC3+*UY100R9V4	NOMINAL	1199	1.00	1.00	1.00
	LOW	1068	0.98	0.98	0.99
	HIGH	1373	1.02	1.02	1.01
2CXAD050AC3	NOMINAL	1199	1.00	1.00	1.00
	LOW	1225	0.98	0.98	0.99
	HIGH	1575	1.02	1.02	1.01
2CXAD050AC3+*DD120R9V5	NOMINAL	1199	1.00	1.00	1.00
	LOW	1234	0.98	0.98	0.99
	HIGH	1586	1.02	1.02	1.01
2CXAD050AC3+*DY120R9V5	NOMINAL	1199	1.00	1.00	1.00
	LOW	1068	0.98	0.98	0.99
	HIGH	1373	1.02	1.02	1.01
2CXAD050AC3+*UD120R9V5	NOMINAL	1199	1.00	1.00	1.00
	LOW	1216	0.98	0.98	0.99
	HIGH	1564	1.02	1.02	1.01
2CXAD050AC3+*UD140R9V5	NOMINAL	1199	1.00	1.00	1.00
	LOW	1208	0.98	0.98	0.99
	HIGH	1553	1.02	1.02	1.01
2CXAD050AC3+*UY120R9V5	NOMINAL	1199	1.00	1.00	1.00
	LOW	1059	0.98	0.98	0.99
	HIGH	1361	1.02	1.02	1.01



# Performance Data Cooling

## 2TTA3042A3/4

**CORRECTION FACTORS FOR OTHER COMBINATIONS (MULTIPLY DATA BY FACTOR)**

INDOOR MODEL		CFM	MBTUH TOT	MBTUH SEN	SYST KW
2CXCB042AC3	NOMINAL	1199	1.00	1.00	1.00
	LOW	1094	0.98	0.98	0.99
	HIGH	1406	1.02	1.02	1.01
2CXCB042AC3+*UD080R9V4	NOMINAL	1199	1.00	1.00	1.00
	LOW	1225	0.98	0.98	0.99
	HIGH	1575	1.02	1.02	1.01
2CXCB048AC3	NOMINAL	1199	1.00	1.00	1.00
	LOW	1068	0.98	0.98	0.99
	HIGH	1373	1.02	1.02	1.01
2CXCB048AC3+*UD080R9V4	NOMINAL	1199	1.00	1.00	1.00
	LOW	1225	0.98	0.98	0.99
	HIGH	1575	1.02	1.02	1.01
2CXCC043AC3	NOMINAL	1199	1.00	1.00	1.00
	LOW	1225	0.98	0.98	0.99
	HIGH	1575	1.02	1.02	1.01
2CXCC043AC3+*DY100R9V4	NOMINAL	1199	1.00	1.00	1.00
	LOW	1076	0.98	0.98	0.99
	HIGH	1384	1.02	1.02	1.01
2CXCC043AC3+*UY100R9V4	NOMINAL	1199	1.00	1.00	1.00
	LOW	1068	0.98	0.98	0.99
	HIGH	1373	1.02	1.02	1.01
2CXCC049AC3	NOMINAL	1199	1.00	1.00	1.00
	LOW	1225	0.98	0.98	0.99
	HIGH	1575	1.02	1.02	1.01
2CXCC049AC3+*DY100R9V4	NOMINAL	1199	1.00	1.00	1.00
	LOW	1076	0.98	0.98	0.99
	HIGH	1384	1.02	1.02	1.01
2CXCC049AC3+*UY100R9V4	NOMINAL	1199	1.00	1.00	1.00
	LOW	1068	0.98	0.98	0.99
	HIGH	1373	1.02	1.02	1.01
2CXCD050AC3	NOMINAL	1199	1.00	1.00	1.00
	LOW	1225	0.98	0.98	0.99
	HIGH	1575	1.02	1.02	1.01
2CXCD050AC3+*DD120R9V5	NOMINAL	1199	1.00	1.00	1.00
	LOW	1234	0.98	0.98	0.99
	HIGH	1586	1.02	1.02	1.01
2CXCD050AC3+*DY120R9V5	NOMINAL	1199	1.00	1.00	1.00
	LOW	1068	0.98	0.98	0.99
	HIGH	1373	1.02	1.02	1.01
2CXCD050AC3+*UD120R9V5	NOMINAL	1199	1.00	1.00	1.00
	LOW	1216	0.98	0.98	0.99
	HIGH	1564	1.02	1.02	1.01
2CXCD050AC3+*UD140R9V5	NOMINAL	1199	1.00	1.00	1.00
	LOW	1208	0.98	0.98	0.99
	HIGH	1553	1.02	1.02	1.01
2CXCD050AC3+*UY120R9V5	NOMINAL	1199	1.00	1.00	1.00
	LOW	1059	0.98	0.98	0.99
	HIGH	1361	1.02	1.02	1.01
2TEC3F42A1	NOMINAL	1199	1.00	1.00	1.00
	LOW	1225	0.98	0.98	0.99
	HIGH	1575	1.02	1.02	1.01
2TEC3F48A1	NOMINAL	1199	1.00	1.00	1.00
	LOW	1225	0.98	0.98	0.99
	HIGH	1575	1.02	1.02	1.01
2TEP3F48B1	NOMINAL	1199	1.00	1.00	1.00
	LOW	1225	0.98	0.98	0.99
	HIGH	1575	1.02	1.02	1.01
2TGB3F42A1	NOMINAL	1199	1.00	1.00	1.00
	LOW	1225	0.98	0.98	0.99
	HIGH	1575	1.02	1.02	1.01
2TGB3F48A1	NOMINAL	1199	1.00	1.00	1.00
	LOW	1076	0.98	0.98	0.99
	HIGH	1384	1.02	1.02	1.01

**CORRECTION FACTORS FOR OTHER COMBINATIONS (MULTIPLY DATA BY FACTOR)**

INDOOR MODEL		CFM	MBTUH TOT	MBTUH SEN	SYST KW
2TXCB036AS3	NOMINAL	1199	1.00	1.00	1.00
	LOW	1120	0.98	0.98	0.99
	HIGH	1440	1.02	1.02	1.01
2TXCB036AS3+*UD080R9V4	NOMINAL	1199	1.00	1.00	1.00
	LOW	1225	0.98	0.98	0.99
	HIGH	1575	1.02	1.02	1.01
2TXCB042AC3+*UD080R9V4	NOMINAL	1199	1.00	1.00	1.00
	LOW	1225	0.98	0.98	0.99
	HIGH	1575	1.02	1.02	1.01
2TXCB048AC3	NOMINAL	1199	1.00	1.00	1.00
	LOW	1068	0.98	0.98	0.99
	HIGH	1373	1.02	1.02	1.01
2TXCB048AC3+*UD080R9V4	NOMINAL	1199	1.00	1.00	1.00
	LOW	1225	0.98	0.98	0.99
	HIGH	1575	1.02	1.02	1.01
2TXCC037AS3	NOMINAL	1199	1.00	1.00	1.00
	LOW	1225	0.98	0.98	0.99
	HIGH	1575	1.02	1.02	1.01
2TXCC037AS3+*DD100R9V5	NOMINAL	1199	1.00	1.00	1.00
	LOW	1234	0.98	0.98	0.99
	HIGH	1586	1.02	1.02	1.01
2TXCC037AS3+*DY100R9V4	NOMINAL	1199	1.00	1.00	1.00
	LOW	1076	0.98	0.98	0.99
	HIGH	1384	1.02	1.02	1.01
2TXCC037AS3+*UY100R9V4	NOMINAL	1199	1.00	1.00	1.00
	LOW	1068	0.98	0.98	0.99
	HIGH	1373	1.02	1.02	1.01
2TXCC043AC3	NOMINAL	1199	1.00	1.00	1.00
	LOW	1225	0.98	0.98	0.99
	HIGH	1575	1.02	1.02	1.01
2TXCC043AC3+*DY100R9V4	NOMINAL	1199	1.00	1.00	1.00
	LOW	1076	0.98	0.98	0.99
	HIGH	1384	1.02	1.02	1.01
2TXCC043AC3+*UY100R9V4	NOMINAL	1199	1.00	1.00	1.00
	LOW	1068	0.98	0.98	0.99
	HIGH	1373	1.02	1.02	1.01
2TXCC049AC3	NOMINAL	1199	1.00	1.00	1.00
	LOW	1225	0.98	0.98	0.99
	HIGH	1575	1.02	1.02	1.01
2TXCC049AC3+*DY100R9V4	NOMINAL	1199	1.00	1.00	1.00
	LOW	1076	0.98	0.98	0.99
	HIGH	1384	1.02	1.02	1.01
2TXCC049AC3+*UY100R9V4	NOMINAL	1199	1.00	1.00	1.00
	LOW	1068	0.98	0.98	0.99
	HIGH	1373	1.02	1.02	1.01
2TXCC054AS3	NOMINAL	1199	1.00	1.00	1.00
	LOW	1225	0.98	0.98	0.99
	HIGH	1575	1.02	1.02	1.01
2TXCC054AS3+*DD100R9V5	NOMINAL	1199	1.00	1.00	1.00
	LOW	1243	0.98	0.98	0.99
	HIGH	1598	1.02	1.02	1.01
2TXCC054AS3+*DY100R9V4	NOMINAL	1199	1.00	1.00	1.00
	LOW	1076	0.98	0.98	0.99
	HIGH	1384	1.02	1.02	1.01
2TXCC054AS3+*UD100R9V5	NOMINAL	1199	1.00	1.00	1.00
	LOW	1286	0.98	0.98	0.99
	HIGH	1654	1.02	1.02	1.01
2TXCC054AS3+*UY100R9V4	NOMINAL	1199	1.00	1.00	1.00
	LOW	1076	0.98	0.98	0.99
	HIGH	1384	1.02	1.02	1.01
2TXCC060AC3	NOMINAL	1199	1.00	1.00	1.00
	LOW	1225	0.98	0.98	0.99
	HIGH	1575	1.02	1.02	1.01





# Performance Data Cooling

## 2TTA3042A3/4

**CORRECTION FACTORS FOR OTHER COMBINATIONS (MULTIPLY DATA BY FACTOR)**

INDOOR MODEL		CFM	MBTUH TOT	MBTUH SEN	SYST KW
2TXCC060AC3+*DY100R9V4	NOMINAL	1199	1.00	1.00	1.00
	LOW	1076	0.98	0.98	0.99
	HIGH	1384	1.02	1.02	1.01
2TXCC060AC3+*UY100R9V4	NOMINAL	1199	1.00	1.00	1.00
	LOW	1076	0.98	0.98	0.99
	HIGH	1384	1.02	1.02	1.01
2TXCD050AC3	NOMINAL	1199	1.00	1.00	1.00
	LOW	1225	0.98	0.98	0.99
	HIGH	1575	1.02	1.02	1.01
2TXCD050AC3+*DD120R9V5	NOMINAL	1199	1.00	1.00	1.00
	LOW	1234	0.98	0.98	0.99
	HIGH	1586	1.02	1.02	1.01
2TXCD050AC3+*DY120R9V5	NOMINAL	1199	1.00	1.00	1.00
	LOW	1068	0.98	0.98	0.99
	HIGH	1373	1.02	1.02	1.01
2TXCD050AC3+*UD120R9V5	NOMINAL	1199	1.00	1.00	1.00
	LOW	1216	0.98	0.98	0.99
	HIGH	1564	1.02	1.02	1.01
2TXCD050AC3+*UD140R9V5	NOMINAL	1199	1.00	1.00	1.00
	LOW	1208	0.98	0.98	0.99
	HIGH	1553	1.02	1.02	1.01
2TXCD050AC3+*UY120R9V5	NOMINAL	1199	1.00	1.00	1.00
	LOW	1059	0.98	0.98	0.99
	HIGH	1361	1.02	1.02	1.01
2TXCD065AS3	NOMINAL	1199	1.00	1.00	1.00
	LOW	1225	0.98	0.98	0.99
	HIGH	1575	1.02	1.02	1.01
2TXCD065AS3+*DD120R9V5	NOMINAL	1199	1.00	1.00	1.00
	LOW	1243	0.98	0.98	0.99
	HIGH	1598	1.02	1.02	1.01
2TXCD065AS3+*DY120R9V5	NOMINAL	1199	1.00	1.00	1.00
	LOW	1059	0.98	0.98	0.99
	HIGH	1361	1.02	1.02	1.01
2TXCD065AS3+*UD120R9V5	NOMINAL	1199	1.00	1.00	1.00
	LOW	1225	0.98	0.98	0.99
	HIGH	1575	1.02	1.02	1.01
2TXCD065AS3+*UD140R9V5	NOMINAL	1199	1.00	1.00	1.00
	LOW	1216	0.98	0.98	0.99
	HIGH	1564	1.02	1.02	1.01
2TXCD065AS3+*UY120R9V5	NOMINAL	1199	1.00	1.00	1.00
	LOW	1059	0.98	0.98	0.99
	HIGH	1361	1.02	1.02	1.01
2TXFH041AS3	NOMINAL	1199	1.00	1.00	1.00
	LOW	1225	0.98	0.98	0.99
	HIGH	1575	1.02	1.02	1.01
2TXFH041AS3+*DD100R9V5	NOMINAL	1199	1.00	1.00	1.00
	LOW	1234	0.98	0.98	0.99
	HIGH	1586	1.02	1.02	1.01
2TXFH041AS3+*DD120R9V5	NOMINAL	1199	1.00	1.00	1.00
	LOW	1234	0.98	0.98	0.99
	HIGH	1586	1.02	1.02	1.01
2TXFH041AS3+*DY100R9V4	NOMINAL	1199	1.00	1.00	1.00
	LOW	1076	0.98	0.98	0.99
	HIGH	1384	1.02	1.02	1.01
2TXFH041AS3+*DY120R9V5	NOMINAL	1199	1.00	1.00	1.00
	LOW	1068	0.98	0.98	0.99
	HIGH	1373	1.02	1.02	1.01
2TXFH041AS3+*UD080R9V4	NOMINAL	1199	1.00	1.00	1.00
	LOW	1225	0.98	0.98	0.99
	HIGH	1575	1.02	1.02	1.01
2TXFH041AS3+*UD100R9V5	NOMINAL	1199	1.00	1.00	1.00
	LOW	1278	0.98	0.98	0.99
	HIGH	1643	1.02	1.02	1.01

**CORRECTION FACTORS FOR OTHER COMBINATIONS (MULTIPLY DATA BY FACTOR)**

INDOOR MODEL		CFM	MBTUH TOT	MBTUH SEN	SYST KW
2TXFH041AS3+*UD120R9V5	NOMINAL	1199	1.00	1.00	1.00
	LOW	1216	0.98	0.98	0.99
	HIGH	1564	1.02	1.02	1.01
2TXFH041AS3+*UD140R9V5	NOMINAL	1199	1.00	1.00	1.00
	LOW	1208	0.98	0.98	0.99
	HIGH	1553	1.02	1.02	1.01
2TXFH041AS3+*UY100R9V4	NOMINAL	1199	1.00	1.00	1.00
	LOW	1068	0.98	0.98	0.99
	HIGH	1373	1.02	1.02	1.01
2TXFH041AS3+*UY120R9V5	NOMINAL	1199	1.00	1.00	1.00
	LOW	1059	0.98	0.98	0.99
	HIGH	1361	1.02	1.02	1.01
2TXFH054AS3	NOMINAL	1199	1.00	1.00	1.00
	LOW	1225	0.98	0.98	0.99
	HIGH	1575	1.02	1.02	1.01
2TXFH054AS3+*DD100R9V5	NOMINAL	1199	1.00	1.00	1.00
	LOW	1243	0.98	0.98	0.99
	HIGH	1598	1.02	1.02	1.01
2TXFH054AS3+*DD120R9V5	NOMINAL	1199	1.00	1.00	1.00
	LOW	1251	0.98	0.98	0.99
	HIGH	1609	1.02	1.02	1.01
2TXFH054AS3+*DY100R9V4	NOMINAL	1199	1.00	1.00	1.00
	LOW	1076	0.98	0.98	0.99
	HIGH	1384	1.02	1.02	1.01
2TXFH054AS3+*DY120R9V5	NOMINAL	1199	1.00	1.00	1.00
	LOW	1059	0.98	0.98	0.99
	HIGH	1361	1.02	1.02	1.01
2TXFH054AS3+*UD080R9V4	NOMINAL	1199	1.00	1.00	1.00
	LOW	1225	0.98	0.98	0.99
	HIGH	1575	1.02	1.02	1.01
2TXFH054AS3+*UD100R9V5	NOMINAL	1199	1.00	1.00	1.00
	LOW	1286	0.98	0.98	0.99
	HIGH	1654	1.02	1.02	1.01
2TXFH054AS3+*UD120R9V5	NOMINAL	1199	1.00	1.00	1.00
	LOW	1234	0.98	0.98	0.99
	HIGH	1586	1.02	1.02	1.01
2TXFH054AS3+*UD140R9V5	NOMINAL	1199	1.00	1.00	1.00
	LOW	1216	0.98	0.98	0.99
	HIGH	1564	1.02	1.02	1.01
2TXFH054AS3+*UY100R9V4	NOMINAL	1199	1.00	1.00	1.00
	LOW	1076	0.98	0.98	0.99
	HIGH	1384	1.02	1.02	1.01
2TXFH054AS3+*UY120R9V5	NOMINAL	1199	1.00	1.00	1.00
	LOW	1059	0.98	0.98	0.99
	HIGH	1361	1.02	1.02	1.01
2TXFH063AS3	NOMINAL	1199	1.00	1.00	1.00
	LOW	1225	0.98	0.98	0.99
	HIGH	1575	1.02	1.02	1.01
2TXFH063AS3+*DD100R9V5	NOMINAL	1199	1.00	1.00	1.00
	LOW	1234	0.98	0.98	0.99
	HIGH	1586	1.02	1.02	1.01
2TXFH063AS3+*DD120R9V5	NOMINAL	1199	1.00	1.00	1.00
	LOW	1234	0.98	0.98	0.99
	HIGH	1586	1.02	1.02	1.01
2TXFH063AS3+*DY100R9V4	NOMINAL	1199	1.00	1.00	1.00
	LOW	1076	0.98	0.98	0.99
	HIGH	1384	1.02	1.02	1.01
2TXFH063AS3+*DY120R9V5	NOMINAL	1199	1.00	1.00	1.00
	LOW	1068	0.98	0.98	0.99
	HIGH	1373	1.02	1.02	1.01
2TXFH063AS3+*UD080R9V4	NOMINAL	1199	1.00	1.00	1.00
	LOW	1225	0.98	0.98	0.99
	HIGH	1575	1.02	1.02	1.01



# Performance Data Cooling

## 2TTA3042A3/4

**CORRECTION FACTORS FOR OTHER COMBINATIONS (MULTIPLY DATA BY FACTOR)**

INDOOR MODEL		CFM	MBTUH TOT	MBTUH SEN	SYST KW
2TXFH063AS3+*UD100R9V5	NOMINAL	1199	1.00	1.00	1.00
	LOW	1278	0.98	0.98	0.99
	HIGH	1643	1.02	1.02	1.01
2TXFH063AS3+*UD120R9V5	NOMINAL	1199	1.00	1.00	1.00
	LOW	1225	0.98	0.98	0.99
	HIGH	1575	1.02	1.02	1.01
2TXFH063AS3+*UD140R9V5	NOMINAL	1199	1.00	1.00	1.00
	LOW	1208	0.98	0.98	0.99
	HIGH	1553	1.02	1.02	1.01
2TXFH063AS3+*UY100R9V4	NOMINAL	1199	1.00	1.00	1.00
	LOW	1068	0.98	0.98	0.99
	HIGH	1373	1.02	1.02	1.01
2TXFH063AS3+*UY120R9V5	NOMINAL	1199	1.00	1.00	1.00
	LOW	1059	0.98	0.98	0.99
	HIGH	1361	1.02	1.02	1.01
TWE037E13	NOMINAL	1199	1.00	1.00	1.00
	LOW	1190	0.98	0.98	0.99
	HIGH	1530	1.02	1.02	1.01
TWE040E13	NOMINAL	1199	1.00	1.00	1.00
	LOW	1225	0.98	0.98	0.99
	HIGH	1575	1.02	1.02	1.01
TWE042P13	NOMINAL	1199	1.00	1.00	1.00
	LOW	1225	0.98	0.98	0.99
	HIGH	1575	1.02	1.02	1.01
TWE048C14+TAYTXVH-3	NOMINAL	1199	1.00	1.00	1.00
	LOW	1295	0.98	0.98	0.99
	HIGH	1665	1.02	1.02	1.01
TWE048C14+TYATXV-3	NOMINAL	1199	1.00	1.00	1.00
	LOW	1295	0.98	0.98	0.99
	HIGH	1665	1.02	1.02	1.01
TWE048P13	NOMINAL	1199	1.00	1.00	1.00
	LOW	1225	0.98	0.98	0.99
	HIGH	1575	1.02	1.02	1.01
TWE049E13	NOMINAL	1199	1.00	1.00	1.00
	LOW	1234	0.98	0.98	0.99
	HIGH	1586	1.02	1.02	1.01
TWE060P13	NOMINAL	1199	1.00	1.00	1.00
	LOW	1225	0.98	0.98	0.99
	HIGH	1575	1.02	1.02	1.01
TGW048A14+TAYTXVH-3	NOMINAL	1199	1.00	1.00	1.00
	LOW	1225	0.98	0.98	0.99
	HIGH	1575	1.02	1.02	1.01
TGW048A14+TYATXV-3	NOMINAL	1199	1.00	1.00	1.00
	LOW	1225	0.98	0.98	0.99
	HIGH	1575	1.02	1.02	1.01
TXA042C4+TAYTXVH-3	NOMINAL	1199	1.00	1.00	1.00
	LOW	1103	0.98	0.98	0.99
	HIGH	1418	1.02	1.02	1.01
TXA042C4+TYATXV-3	NOMINAL	1199	1.00	1.00	1.00
	LOW	1103	0.98	0.98	0.99
	HIGH	1418	1.02	1.02	1.01
TXA048C4+TAYTXVH-3	NOMINAL	1199	1.00	1.00	1.00
	LOW	1181	0.98	0.98	0.99
	HIGH	1519	1.02	1.02	1.01
TXA048C4+TYATXV-3	NOMINAL	1199	1.00	1.00	1.00
	LOW	1181	0.98	0.98	0.99
	HIGH	1519	1.02	1.02	1.01
TXC036S3	NOMINAL	1199	1.00	1.00	1.00
	LOW	1120	0.98	0.98	0.99
	HIGH	1440	1.02	1.02	1.01
TXC036S3+*UD080R9V4	NOMINAL	1199	1.00	1.00	1.00
	LOW	1225	0.98	0.98	0.99
	HIGH	1575	1.02	1.02	1.01

**CORRECTION FACTORS FOR OTHER COMBINATIONS (MULTIPLY DATA BY FACTOR)**

INDOOR MODEL		CFM	MBTUH TOT	MBTUH SEN	SYST KW
TXC037S3	NOMINAL	1199	1.00	1.00	1.00
	LOW	1225	0.98	0.98	0.99
	HIGH	1575	1.02	1.02	1.01
TXC037S3+*DD100R9V5	NOMINAL	1199	1.00	1.00	1.00
	LOW	1234	0.98	0.98	0.99
	HIGH	1586	1.02	1.02	1.01
TXC037S3+*DY100R9V4	NOMINAL	1199	1.00	1.00	1.00
	LOW	1076	0.98	0.98	0.99
	HIGH	1384	1.02	1.02	1.01
TXC037S3+*UY100R9V4	NOMINAL	1199	1.00	1.00	1.00
	LOW	1068	0.98	0.98	0.99
	HIGH	1373	1.02	1.02	1.01
TXC042C4+TAYTXVH-3	NOMINAL	1199	1.00	1.00	1.00
	LOW	1103	0.98	0.98	0.99
	HIGH	1418	1.02	1.02	1.01
TXC042C4+TYATXV-3	NOMINAL	1199	1.00	1.00	1.00
	LOW	1103	0.98	0.98	0.99
	HIGH	1418	1.02	1.02	1.01
TXC048C4+TAYTXVH-3	NOMINAL	1199	1.00	1.00	1.00
	LOW	1181	0.98	0.98	0.99
	HIGH	1519	1.02	1.02	1.01
TXC048C4+TYATXV-3	NOMINAL	1199	1.00	1.00	1.00
	LOW	1181	0.98	0.98	0.99
	HIGH	1519	1.02	1.02	1.01
TXC054S3	NOMINAL	1199	1.00	1.00	1.00
	LOW	1225	0.98	0.98	0.99
	HIGH	1575	1.02	1.02	1.01
TXC054S3+*DD100R9V5	NOMINAL	1199	1.00	1.00	1.00
	LOW	1243	0.98	0.98	0.99
	HIGH	1598	1.02	1.02	1.01
TXC054S3+*DY100R9V4	NOMINAL	1199	1.00	1.00	1.00
	LOW	1076	0.98	0.98	0.99
	HIGH	1384	1.02	1.02	1.01
TXC054S3+*UD100R9V5	NOMINAL	1199	1.00	1.00	1.00
	LOW	1286	0.98	0.98	0.99
	HIGH	1654	1.02	1.02	1.01
TXC054S3+*UY100R9V4	NOMINAL	1199	1.00	1.00	1.00
	LOW	1076	0.98	0.98	0.99
	HIGH	1384	1.02	1.02	1.01
TXC065S3	NOMINAL	1199	1.00	1.00	1.00
	LOW	1225	0.98	0.98	0.99
	HIGH	1575	1.02	1.02	1.01
TXC065S3+*DD120R9V5	NOMINAL	1199	1.00	1.00	1.00
	LOW	1243	0.98	0.98	0.99
	HIGH	1598	1.02	1.02	1.01
TXC065S3+*DY120R9V5	NOMINAL	1199	1.00	1.00	1.00
	LOW	1059	0.98	0.98	0.99
	HIGH	1361	1.02	1.02	1.01
TXC065S3+*UD120R9V5	NOMINAL	1199	1.00	1.00	1.00
	LOW	1225	0.98	0.98	0.99
	HIGH	1575	1.02	1.02	1.01
TXC065S3+*UD140R9V5	NOMINAL	1199	1.00	1.00	1.00
	LOW	1216	0.98	0.98	0.99
	HIGH	1564	1.02	1.02	1.01
TXC065S3+*UY120R9V5	NOMINAL	1199	1.00	1.00	1.00
	LOW	1059	0.98	0.98	0.99
	HIGH	1361	1.02	1.02	1.01
TXH041A4+TAYTXVH-3	NOMINAL	1199	1.00	1.00	1.00
	LOW	1225	0.98	0.98	0.99
	HIGH	1575	1.02	1.02	1.01
TXH041A4+TAYTXVH-3+*DD080R9V3	NOMINAL	1199	1.00	1.00	1.00
	LOW	1173	0.98	0.98	0.99
	HIGH	1508	1.02	1.02	1.01



# Performance Data Cooling

## 2TTA3042A3/4

### CORRECTION FACTORS FOR OTHER COMBINATIONS (MULTIPLY DATA BY FACTOR)

INDOOR MODEL		CFM	MBTUH TOT	MBTUH SEN	SYST KW
TXH041A4+TAYTXVH-3+*DD100R9V5	NOMINAL	1199	1.00	1.00	1.00
	LOW	1234	0.98	0.98	0.99
	HIGH	1586	1.02	1.02	1.01
TXH041A4+TAYTXVH-3+*DD120R9V5	NOMINAL	1199	1.00	1.00	1.00
	LOW	1234	0.98	0.98	0.99
	HIGH	1586	1.02	1.02	1.01
TXH041A4+TAYTXVH-3+*DY120R9V5	NOMINAL	1199	1.00	1.00	1.00
	LOW	1068	0.98	0.98	0.99
	HIGH	1373	1.02	1.02	1.01
TXH041A4+TAYTXVH-3+*UD080R9V3	NOMINAL	1199	1.00	1.00	1.00
	LOW	1243	0.98	0.98	0.99
	HIGH	1598	1.02	1.02	1.01
TXH041A4+TAYTXVH-3+*UD080R9V4	NOMINAL	1199	1.00	1.00	1.00
	LOW	1225	0.98	0.98	0.99
	HIGH	1575	1.02	1.02	1.01
TXH041A4+TAYTXVH-3+*UD100R9V5	NOMINAL	1199	1.00	1.00	1.00
	LOW	1278	0.98	0.98	0.99
	HIGH	1643	1.02	1.02	1.01
TXH041A4+TAYTXVH-3+*UD120R9V5	NOMINAL	1199	1.00	1.00	1.00
	LOW	1216	0.98	0.98	0.99
	HIGH	1564	1.02	1.02	1.01
TXH041A4+TAYTXVH-3+*UD140R9V5	NOMINAL	1199	1.00	1.00	1.00
	LOW	1208	0.98	0.98	0.99
	HIGH	1553	1.02	1.02	1.01
TXH041A4+TAYTXVH-3+*UY080R9V3	NOMINAL	1199	1.00	1.00	1.00
	LOW	1050	0.98	0.98	0.99
	HIGH	1350	1.02	1.02	1.01
TXH041A4+TAYTXVH-3+*UY100R9V4	NOMINAL	1199	1.00	1.00	1.00
	LOW	1068	0.98	0.98	0.99
	HIGH	1373	1.02	1.02	1.01
TXH041A4+TAYTXVH-3+*UY120R9V5	NOMINAL	1199	1.00	1.00	1.00
	LOW	1059	0.98	0.98	0.99
	HIGH	1361	1.02	1.02	1.01
TXH041A4+TYATXV-3	NOMINAL	1199	1.00	1.00	1.00
	LOW	1225	0.98	0.98	0.99
	HIGH	1575	1.02	1.02	1.01
TXH041A4+TYATXV-3+*DD080R9V3	NOMINAL	1199	1.00	1.00	1.00
	LOW	1173	0.98	0.98	0.99
	HIGH	1508	1.02	1.02	1.01
TXH041A4+TYATXV-3+*DD100R9V5	NOMINAL	1199	1.00	1.00	1.00
	LOW	1234	0.98	0.98	0.99
	HIGH	1586	1.02	1.02	1.01
TXH041A4+TYATXV-3+*DD120R9V5	NOMINAL	1199	1.00	1.00	1.00
	LOW	1234	0.98	0.98	0.99
	HIGH	1586	1.02	1.02	1.01
TXH041A4+TYATXV-3+*DY120R9V5	NOMINAL	1199	1.00	1.00	1.00
	LOW	1068	0.98	0.98	0.99
	HIGH	1373	1.02	1.02	1.01
TXH041A4+TYATXV-3+*UD080R9V3	NOMINAL	1199	1.00	1.00	1.00
	LOW	1243	0.98	0.98	0.99
	HIGH	1598	1.02	1.02	1.01
TXH041A4+TYATXV-3+*UD080R9V4	NOMINAL	1199	1.00	1.00	1.00
	LOW	1225	0.98	0.98	0.99
	HIGH	1575	1.02	1.02	1.01
TXH041A4+TYATXV-3+*UD100R9V5	NOMINAL	1199	1.00	1.00	1.00
	LOW	1278	0.98	0.98	0.99
	HIGH	1643	1.02	1.02	1.01
TXH041A4+TYATXV-3+*UD120R9V5	NOMINAL	1199	1.00	1.00	1.00
	LOW	1216	0.98	0.98	0.99
	HIGH	1564	1.02	1.02	1.01
TXH041A4+TYATXV-3+*UD140R9V5	NOMINAL	1199	1.00	1.00	1.00
	LOW	1208	0.98	0.98	0.99
	HIGH	1553	1.02	1.02	1.01

### CORRECTION FACTORS FOR OTHER COMBINATIONS (MULTIPLY DATA BY FACTOR)

INDOOR MODEL		CFM	MBTUH TOT	MBTUH SEN	SYST KW
TXH041A4+TYATXV-3+*UY080R9V3	NOMINAL	1199	1.00	1.00	1.00
	LOW	1050	0.98	0.98	0.99
	HIGH	1350	1.02	1.02	1.01
TXH041A4+TYATXV-3+*UY100R9V4	NOMINAL	1199	1.00	1.00	1.00
	LOW	1068	0.98	0.98	0.99
	HIGH	1373	1.02	1.02	1.01
TXH041A4+TYATXV-3+*UY120R9V5	NOMINAL	1199	1.00	1.00	1.00
	LOW	1059	0.98	0.98	0.99
	HIGH	1361	1.02	1.02	1.01
TXH054A4+TAYTXVH-3	NOMINAL	1199	1.00	1.00	1.00
	LOW	1225	0.98	0.98	0.99
	HIGH	1575	1.02	1.02	1.01
TXH054A4+TAYTXVH-3+*DD080R9V3	NOMINAL	1199	1.00	1.00	1.00
	LOW	1173	0.98	0.98	0.99
	HIGH	1508	1.02	1.02	1.01
TXH054A4+TAYTXVH-3+*DD100R9V5	NOMINAL	1199	1.00	1.00	1.00
	LOW	1243	0.98	0.98	0.99
	HIGH	1598	1.02	1.02	1.01
TXH054A4+TAYTXVH-3+*DD120R9V5	NOMINAL	1199	1.00	1.00	1.00
	LOW	1251	0.98	0.98	0.99
	HIGH	1609	1.02	1.02	1.01
TXH054A4+TAYTXVH-3+*DY120R9V5	NOMINAL	1199	1.00	1.00	1.00
	LOW	1059	0.98	0.98	0.99
	HIGH	1361	1.02	1.02	1.01
TXH054A4+TAYTXVH-3+*UD080R9V3	NOMINAL	1199	1.00	1.00	1.00
	LOW	1243	0.98	0.98	0.99
	HIGH	1598	1.02	1.02	1.01
TXH054A4+TAYTXVH-3+*UD080R9V4	NOMINAL	1199	1.00	1.00	1.00
	LOW	1225	0.98	0.98	0.99
	HIGH	1575	1.02	1.02	1.01
TXH054A4+TAYTXVH-3+*UD100R9V5	NOMINAL	1199	1.00	1.00	1.00
	LOW	1286	0.98	0.98	0.99
	HIGH	1654	1.02	1.02	1.01
TXH054A4+TAYTXVH-3+*UD120R9V5	NOMINAL	1199	1.00	1.00	1.00
	LOW	1234	0.98	0.98	0.99
	HIGH	1586	1.02	1.02	1.01
TXH054A4+TAYTXVH-3+*UD140R9V5	NOMINAL	1199	1.00	1.00	1.00
	LOW	1216	0.98	0.98	0.99
	HIGH	1564	1.02	1.02	1.01
TXH054A4+TAYTXVH-3+*UY080R9V3	NOMINAL	1199	1.00	1.00	1.00
	LOW	1068	0.98	0.98	0.99
	HIGH	1373	1.02	1.02	1.01
TXH054A4+TAYTXVH-3+*UY100R9V4	NOMINAL	1199	1.00	1.00	1.00
	LOW	1076	0.98	0.98	0.99
	HIGH	1384	1.02	1.02	1.01
TXH054A4+TAYTXVH-3+*UY120R9V5	NOMINAL	1199	1.00	1.00	1.00
	LOW	1059	0.98	0.98	0.99
	HIGH	1361	1.02	1.02	1.01
TXH054A4+TYATXV-3	NOMINAL	1199	1.00	1.00	1.00
	LOW	1225	0.98	0.98	0.99
	HIGH	1575	1.02	1.02	1.01
TXH054A4+TYATXV-3+*DD080R9V3	NOMINAL	1199	1.00	1.00	1.00
	LOW	1173	0.98	0.98	0.99
	HIGH	1508	1.02	1.02	1.01
TXH054A4+TYATXV-3+*DD100R9V5	NOMINAL	1199	1.00	1.00	1.00
	LOW	1243	0.98	0.98	0.99
	HIGH	1598	1.02	1.02	1.01
TXH054A4+TYATXV-3+*DD120R9V5	NOMINAL	1199	1.00	1.00	1.00
	LOW	1251	0.98	0.98	0.99
	HIGH	1609	1.02	1.02	1.01
TXH054A4+TYATXV-3+*DY120R9V5	NOMINAL	1199	1.00	1.00	1.00
	LOW	1059	0.98	0.98	0.99
	HIGH	1361	1.02	1.02	1.01



# Performance Data Cooling

## 2TTA3042A3/4

### CORRECTION FACTORS FOR OTHER COMBINATIONS (MULTIPLY DATA BY FACTOR)

INDOOR MODEL		CFM	MBTUH TOT	MBTUH SEN	SYST KW
TXH054A4+TYATXV-3+*UD080R9V3	NOMINAL	1199	1.00	1.00	1.00
	LOW	1243	0.98	0.98	0.99
	HIGH	1598	1.02	1.02	1.01
TXH054A4+TYATXV-3+*UD080R9V4	NOMINAL	1199	1.00	1.00	1.00
	LOW	1225	0.98	0.98	0.99
	HIGH	1575	1.02	1.02	1.01
TXH054A4+TYATXV-3+*UD100R9V5	NOMINAL	1199	1.00	1.00	1.00
	LOW	1286	0.98	0.98	0.99
	HIGH	1654	1.02	1.02	1.01
TXH054A4+TYATXV-3+*UD120R9V5	NOMINAL	1199	1.00	1.00	1.00
	LOW	1234	0.98	0.98	0.99
	HIGH	1586	1.02	1.02	1.01
TXH054A4+TYATXV-3+*UD140R9V5	NOMINAL	1199	1.00	1.00	1.00
	LOW	1216	0.98	0.98	0.99
	HIGH	1564	1.02	1.02	1.01
TXH054A4+TYATXV-3+*UY080R9V3	NOMINAL	1199	1.00	1.00	1.00
	LOW	1068	0.98	0.98	0.99
	HIGH	1373	1.02	1.02	1.01
TXH054A4+TYATXV-3+*UY100R9V4	NOMINAL	1199	1.00	1.00	1.00
	LOW	1076	0.98	0.98	0.99
	HIGH	1384	1.02	1.02	1.01
TXH054A4+TYATXV-3+*UY120R9V5	NOMINAL	1199	1.00	1.00	1.00
	LOW	1059	0.98	0.98	0.99
	HIGH	1361	1.02	1.02	1.01
TXH063P3	NOMINAL	1199	1.00	1.00	1.00
	LOW	1225	0.98	0.98	0.99
	HIGH	1575	1.02	1.02	1.01
TXH063P3+*DD080R9V3	NOMINAL	1199	1.00	1.00	1.00
	LOW	1173	0.98	0.98	0.99
	HIGH	1508	1.02	1.02	1.01
TXH063P3+*DD100R9V5	NOMINAL	1199	1.00	1.00	1.00
	LOW	1234	0.98	0.98	0.99
	HIGH	1586	1.02	1.02	1.01

### CORRECTION FACTORS FOR OTHER COMBINATIONS (MULTIPLY DATA BY FACTOR)

INDOOR MODEL		CFM	MBTUH TOT	MBTUH SEN	SYST KW
TXH063P3+*DD120R9V5	NOMINAL	1199	1.00	1.00	1.00
	LOW	1234	0.98	0.98	0.99
	HIGH	1586	1.02	1.02	1.01
TXH063P3+*DY100R9V4	NOMINAL	1199	1.00	1.00	1.00
	LOW	1076	0.98	0.98	0.99
	HIGH	1384	1.02	1.02	1.01
TXH063P3+*DY120R9V5	NOMINAL	1199	1.00	1.00	1.00
	LOW	1068	0.98	0.98	0.99
	HIGH	1373	1.02	1.02	1.01
TXH063P3+*UD080R9V3	NOMINAL	1199	1.00	1.00	1.00
	LOW	1243	0.98	0.98	0.99
	HIGH	1598	1.02	1.02	1.01
TXH063P3+*UD100R9V5	NOMINAL	1199	1.00	1.00	1.00
	LOW	1278	0.98	0.98	0.99
	HIGH	1643	1.02	1.02	1.01
TXH063P3+*UD120R9V5	NOMINAL	1199	1.00	1.00	1.00
	LOW	1225	0.98	0.98	0.99
	HIGH	1575	1.02	1.02	1.01
TXH063P3+*UD140R9V5	NOMINAL	1199	1.00	1.00	1.00
	LOW	1208	0.98	0.98	0.99
	HIGH	1553	1.02	1.02	1.01
TXH063P3+*UY080R9V3	NOMINAL	1199	1.00	1.00	1.00
	LOW	1059	0.98	0.98	0.99
	HIGH	1361	1.02	1.02	1.01
TXH063P3+*UY100R9V4	NOMINAL	1199	1.00	1.00	1.00
	LOW	1068	0.98	0.98	0.99
	HIGH	1373	1.02	1.02	1.01
TXH063P3+*UY120R9V5	NOMINAL	1199	1.00	1.00	1.00
	LOW	1059	0.98	0.98	0.99
	HIGH	1361	1.02	1.02	1.01

## 2TTA3048A3/4

### 2TTA3048A3/4 WITH 2TXCC049AC3 AT 1600 CFM

O.D. D.B.	I.D. W.B.	TOT. CAP.	SENS. CAP. AT ENTERING D.B. TEMP.			TOTAL KW	
			72	75	78		
85	59	43.1	27.7	33.3	38.9	42.5	3.65
	63	44.9	25.4	30.6	35.6	39.0	3.67
	67	48.4	21.9	26.4	30.8	33.6	3.73
	71	52.3	18.2	21.9	25.5	27.9	3.77
95	59	40.9	26.9	32.3	37.7	40.9	3.94
	63	42.6	24.7	29.7	34.6	37.8	3.97
	67	46.0	21.3	25.6	29.8	32.6	4.04
	71	49.6	17.7	21.2	24.7	27.1	4.07
105	59	38.7	26.0	31.3	36.4	38.7	4.24
	63	40.4	23.8	28.7	33.4	36.5	4.27
	67	43.5	20.6	24.7	28.8	31.5	4.34
	71	47.0	17.1	20.5	23.9	26.2	4.38
115	59	36.5	25.0	30.1	35.1	36.5	4.53
	63	38.1	23.0	27.6	32.2	35.2	4.56
	67	41.0	19.8	23.8	27.8	30.4	4.64
	71	44.3	16.4	19.8	23.0	25.2	4.68

### CORRECTION FACTORS FOR OTHER AIRFLOWS (MULTIPLY DATA BY FACTOR)

	AIRFLOW	TOTAL CAPACITY	SENSIBLE CAPACITY
LOW	1400	0.98	0.98
HIGH	1800	1.02	1.02

NOTE: ALL TABLES ABOVE ARE AT ARI RATING CONDITIONS RATED WITH 25 FEET OF REFRIGERANT LINES.  
\* DRY COIL CONDITION (TOTAL CAPACITY = SENSIBLE CAPACITY)  
TOTAL CAPACITY, COMP. KW AND APP. DEW PT. ARE VALID ONLY FOR WET COIL. ALL TEMPERATURES IN DEGREES F.

### CORRECTION FACTORS FOR OTHER COMBINATIONS (MULTIPLY DATA BY FACTOR)

INDOOR MODEL		CFM	MBTUH TOT	MBTUH SEN	SYST KW
2CXAB048AC3	NOMINAL	1600	1.00	1.00	1.00
	LOW	1068	0.98	0.98	0.99
	HIGH	1373	1.02	1.02	1.01
2CXAB048AC3+*UD080R9V4	NOMINAL	1600	1.00	1.00	1.00
	LOW	1391	0.98	0.98	0.99
	HIGH	1789	1.02	1.02	1.01
2CXAC049AC3	NOMINAL	1600	1.00	1.00	1.00
	LOW	1400	0.98	0.98	0.99
	HIGH	1800	1.02	1.02	1.01



# Performance Data Cooling

## 2TTA3048A3/4

**CORRECTION FACTORS FOR OTHER COMBINATIONS (MULTIPLY DATA BY FACTOR)**

INDOOR MODEL		CFM	MBTUH TOT	MBTUH SEN	SYST KW
2CXAC049AC3+*DY100R9V4	NOMINAL	1600	1.00	1.00	1.00
	LOW	1269	0.98	0.98	0.99
	HIGH	1631	1.02	1.02	1.01
2CXAC049AC3+*UY100R9V4	NOMINAL	1600	1.00	1.00	1.00
	LOW	1251	0.98	0.98	0.99
	HIGH	1609	1.02	1.02	1.01
2CXAC060AC3	NOMINAL	1600	1.00	1.00	1.00
	LOW	1400	0.98	0.98	0.99
	HIGH	1800	1.02	1.02	1.01
2CXAC060AC3+*DY100R9V4	NOMINAL	1600	1.00	1.00	1.00
	LOW	1269	0.98	0.98	0.99
	HIGH	1631	1.02	1.02	1.01
2CXAC060AC3+*UY100R9V4	NOMINAL	1600	1.00	1.00	1.00
	LOW	1251	0.98	0.98	0.99
	HIGH	1609	1.02	1.02	1.01
2CXAD050AC3	NOMINAL	1600	1.00	1.00	1.00
	LOW	1400	0.98	0.98	0.99
	HIGH	1800	1.02	1.02	1.01
2CXAD050AC3+*DD120R9V5	NOMINAL	1600	1.00	1.00	1.00
	LOW	1426	0.98	0.98	0.99
	HIGH	1834	1.02	1.02	1.01
2CXAD050AC3+*DY120R9V5	NOMINAL	1600	1.00	1.00	1.00
	LOW	1251	0.98	0.98	0.99
	HIGH	1609	1.02	1.02	1.01
2CXAD050AC3+*UD120R9V5	NOMINAL	1600	1.00	1.00	1.00
	LOW	1426	0.98	0.98	0.99
	HIGH	1834	1.02	1.02	1.01
2CXAD050AC3+*UD140R9V5	NOMINAL	1600	1.00	1.00	1.00
	LOW	1391	0.98	0.98	0.99
	HIGH	1789	1.02	1.02	1.01
2CXAD050AC3+*UY120R9V5	NOMINAL	1600	1.00	1.00	1.00
	LOW	1243	0.98	0.98	0.99
	HIGH	1598	1.02	1.02	1.01
2CXAD061AC3	NOMINAL	1600	1.00	1.00	1.00
	LOW	1400	0.98	0.98	0.99
	HIGH	1800	1.02	1.02	1.01
2CXAD061AC3+*DD120R9V5	NOMINAL	1600	1.00	1.00	1.00
	LOW	1426	0.98	0.98	0.99
	HIGH	1834	1.02	1.02	1.01
2CXAD061AC3+*DY120R9V5	NOMINAL	1600	1.00	1.00	1.00
	LOW	1251	0.98	0.98	0.99
	HIGH	1609	1.02	1.02	1.01
2CXAD061AC3+*UD120R9V5	NOMINAL	1600	1.00	1.00	1.00
	LOW	1426	0.98	0.98	0.99
	HIGH	1834	1.02	1.02	1.01
2CXAD061AC3+*UD140R9V5	NOMINAL	1600	1.00	1.00	1.00
	LOW	1391	0.98	0.98	0.99
	HIGH	1789	1.02	1.02	1.01
2CXAD061AC3+*UY120R9V5	NOMINAL	1600	1.00	1.00	1.00
	LOW	1243	0.98	0.98	0.99
	HIGH	1598	1.02	1.02	1.01
2CXCB048AC3	NOMINAL	1600	1.00	1.00	1.00
	LOW	1068	0.98	0.98	0.99
	HIGH	1373	1.02	1.02	1.01
2CXCB048AC3+*UD080R9V4	NOMINAL	1600	1.00	1.00	1.00
	LOW	1391	0.98	0.98	0.99
	HIGH	1789	1.02	1.02	1.01
2CXCC049AC3	NOMINAL	1600	1.00	1.00	1.00
	LOW	1400	0.98	0.98	0.99
	HIGH	1800	1.02	1.02	1.01
2CXCC049AC3+*DY100R9V4	NOMINAL	1600	1.00	1.00	1.00
	LOW	1269	0.98	0.98	0.99
	HIGH	1631	1.02	1.02	1.01

**CORRECTION FACTORS FOR OTHER COMBINATIONS (MULTIPLY DATA BY FACTOR)**

INDOOR MODEL		CFM	MBTUH TOT	MBTUH SEN	SYST KW
2CXCC049AC3+*UY100R9V4	NOMINAL	1600	1.00	1.00	1.00
	LOW	1251	0.98	0.98	0.99
	HIGH	1609	1.02	1.02	1.01
2CXCC060AC3	NOMINAL	1600	1.00	1.00	1.00
	LOW	1400	0.98	0.98	0.99
	HIGH	1800	1.02	1.02	1.01
2CXCC060AC3+*DY100R9V4	NOMINAL	1600	1.00	1.00	1.00
	LOW	1269	0.98	0.98	0.99
	HIGH	1631	1.02	1.02	1.01
2CXCC060AC3+*UY100R9V4	NOMINAL	1600	1.00	1.00	1.00
	LOW	1251	0.98	0.98	0.99
	HIGH	1609	1.02	1.02	1.01
2CXCD050AC3	NOMINAL	1600	1.00	1.00	1.00
	LOW	1400	0.98	0.98	0.99
	HIGH	1800	1.02	1.02	1.01
2CXCD050AC3+*DD120R9V5	NOMINAL	1600	1.00	1.00	1.00
	LOW	1426	0.98	0.98	0.99
	HIGH	1834	1.02	1.02	1.01
2CXCD050AC3+*DY120R9V5	NOMINAL	1600	1.00	1.00	1.00
	LOW	1251	0.98	0.98	0.99
	HIGH	1609	1.02	1.02	1.01
2CXCD050AC3+*UD120R9V5	NOMINAL	1600	1.00	1.00	1.00
	LOW	1426	0.98	0.98	0.99
	HIGH	1834	1.02	1.02	1.01
2CXCD050AC3+*UD140R9V5	NOMINAL	1600	1.00	1.00	1.00
	LOW	1391	0.98	0.98	0.99
	HIGH	1789	1.02	1.02	1.01
2CXCD050AC3+*UY120R9V5	NOMINAL	1600	1.00	1.00	1.00
	LOW	1243	0.98	0.98	0.99
	HIGH	1598	1.02	1.02	1.01
2CXCD061AC3	NOMINAL	1600	1.00	1.00	1.00
	LOW	1400	0.98	0.98	0.99
	HIGH	1800	1.02	1.02	1.01
2CXCD061AC3+*DD120R9V5	NOMINAL	1600	1.00	1.00	1.00
	LOW	1426	0.98	0.98	0.99
	HIGH	1834	1.02	1.02	1.01
2CXCD061AC3+*DY120R9V5	NOMINAL	1600	1.00	1.00	1.00
	LOW	1251	0.98	0.98	0.99
	HIGH	1609	1.02	1.02	1.01
2CXCD061AC3+*UD120R9V5	NOMINAL	1600	1.00	1.00	1.00
	LOW	1426	0.98	0.98	0.99
	HIGH	1834	1.02	1.02	1.01
2CXCD061AC3+*UD140R9V5	NOMINAL	1600	1.00	1.00	1.00
	LOW	1391	0.98	0.98	0.99
	HIGH	1789	1.02	1.02	1.01
2CXCD061AC3+*UY120R9V5	NOMINAL	1600	1.00	1.00	1.00
	LOW	1243	0.98	0.98	0.99
	HIGH	1598	1.02	1.02	1.01
2TEC3F48A1	NOMINAL	1600	1.00	1.00	1.00
	LOW	1400	0.98	0.98	0.99
	HIGH	1800	1.02	1.02	1.01
2TEP3F48B1	NOMINAL	1600	1.00	1.00	1.00
	LOW	1400	0.98	0.98	0.99
	HIGH	1800	1.02	1.02	1.01
2TEP3F63B1	NOMINAL	1600	1.00	1.00	1.00
	LOW	1400	0.98	0.98	0.99
	HIGH	1800	1.02	1.02	1.01
2TGB3F48A1	NOMINAL	1600	1.00	1.00	1.00
	LOW	1400	0.98	0.98	0.99
	HIGH	1800	1.02	1.02	1.01
2TXCB048AC3	NOMINAL	1600	1.00	1.00	1.00
	LOW	1068	0.98	0.98	0.99
	HIGH	1373	1.02	1.02	1.01



# Performance Data Cooling

## 2TTA3048A3/4

**CORRECTION FACTORS FOR OTHER COMBINATIONS (MULTIPLY DATA BY FACTOR)**

INDOOR MODEL		CFM	MBTUH TOT	MBTUH SEN	SYST KW
2TXCB048AC3+*UD080R9V4	NOMINAL	1600	1.00	1.00	1.00
	LOW	1391	0.98	0.98	0.99
	HIGH	1789	1.02	1.02	1.01
2TXCC049AC3+*DY100R9V4	NOMINAL	1600	1.00	1.00	1.00
	LOW	1269	0.98	0.98	0.99
	HIGH	1631	1.02	1.02	1.01
2TXCC049AC3+*UY100R9V4	NOMINAL	1600	1.00	1.00	1.00
	LOW	1251	0.98	0.98	0.99
	HIGH	1609	1.02	1.02	1.01
2TXCC054AS3	NOMINAL	1600	1.00	1.00	1.00
	LOW	1400	0.98	0.98	0.99
	HIGH	1800	1.02	1.02	1.01
2TXCC054AS3+*DD100R9V5	NOMINAL	1600	1.00	1.00	1.00
	LOW	1418	0.98	0.98	0.99
	HIGH	1823	1.02	1.02	1.01
2TXCC054AS3+*DY100R9V4	NOMINAL	1600	1.00	1.00	1.00
	LOW	1269	0.98	0.98	0.99
	HIGH	1631	1.02	1.02	1.01
2TXCC054AS3+*UD100R9V5	NOMINAL	1600	1.00	1.00	1.00
	LOW	1461	0.98	0.98	0.99
	HIGH	1879	1.02	1.02	1.01
2TXCC054AS3+*UY100R9V4	NOMINAL	1600	1.00	1.00	1.00
	LOW	1251	0.98	0.98	0.99
	HIGH	1609	1.02	1.02	1.01
2TXCC060AC3	NOMINAL	1600	1.00	1.00	1.00
	LOW	1400	0.98	0.98	0.99
	HIGH	1800	1.02	1.02	1.01
2TXCC060AC3+*DY100R9V4	NOMINAL	1600	1.00	1.00	1.00
	LOW	1269	0.98	0.98	0.99
	HIGH	1631	1.02	1.02	1.01
2TXCC060AC3+*UY100R9V4	NOMINAL	1600	1.00	1.00	1.00
	LOW	1251	0.98	0.98	0.99
	HIGH	1609	1.02	1.02	1.01
2TXCD050AC3	NOMINAL	1600	1.00	1.00	1.00
	LOW	1400	0.98	0.98	0.99
	HIGH	1800	1.02	1.02	1.01
2TXCD050AC3+*DD120R9V5	NOMINAL	1600	1.00	1.00	1.00
	LOW	1426	0.98	0.98	0.99
	HIGH	1834	1.02	1.02	1.01
2TXCD050AC3+*DY120R9V5	NOMINAL	1600	1.00	1.00	1.00
	LOW	1251	0.98	0.98	0.99
	HIGH	1609	1.02	1.02	1.01
2TXCD050AC3+*UD120R9V5	NOMINAL	1600	1.00	1.00	1.00
	LOW	1426	0.98	0.98	0.99
	HIGH	1834	1.02	1.02	1.01
2TXCD050AC3+*UD140R9V5	NOMINAL	1600	1.00	1.00	1.00
	LOW	1391	0.98	0.98	0.99
	HIGH	1789	1.02	1.02	1.01
2TXCD050AC3+*UY120R9V5	NOMINAL	1600	1.00	1.00	1.00
	LOW	1243	0.98	0.98	0.99
	HIGH	1598	1.02	1.02	1.01
2TXCD061AC3	NOMINAL	1600	1.00	1.00	1.00
	LOW	1400	0.98	0.98	0.99
	HIGH	1800	1.02	1.02	1.01
2TXCD061AC3+*DD120R9V5	NOMINAL	1600	1.00	1.00	1.00
	LOW	1426	0.98	0.98	0.99
	HIGH	1834	1.02	1.02	1.01
2TXCD061AC3+*DY120R9V5	NOMINAL	1600	1.00	1.00	1.00
	LOW	1251	0.98	0.98	0.99
	HIGH	1609	1.02	1.02	1.01
2TXCD061AC3+*UD120R9V5	NOMINAL	1600	1.00	1.00	1.00
	LOW	1426	0.98	0.98	0.99
	HIGH	1834	1.02	1.02	1.01

**CORRECTION FACTORS FOR OTHER COMBINATIONS (MULTIPLY DATA BY FACTOR)**

INDOOR MODEL		CFM	MBTUH TOT	MBTUH SEN	SYST KW
2TXCD061AC3+*UD140R9V5	NOMINAL	1600	1.00	1.00	1.00
	LOW	1391	0.98	0.98	0.99
	HIGH	1789	1.02	1.02	1.01
2TXCD061AC3+*UY120R9V5	NOMINAL	1600	1.00	1.00	1.00
	LOW	1243	0.98	0.98	0.99
	HIGH	1598	1.02	1.02	1.01
2TXCD065AS3	NOMINAL	1600	1.00	1.00	1.00
	LOW	1400	0.98	0.98	0.99
	HIGH	1800	1.02	1.02	1.01
2TXCD065AS3+*DD120R9V5	NOMINAL	1600	1.00	1.00	1.00
	LOW	1426	0.98	0.98	0.99
	HIGH	1834	1.02	1.02	1.01
2TXCD065AS3+*DY120R9V5	NOMINAL	1600	1.00	1.00	1.00
	LOW	1251	0.98	0.98	0.99
	HIGH	1609	1.02	1.02	1.01
2TXCD065AS3+*UD120R9V5	NOMINAL	1600	1.00	1.00	1.00
	LOW	1426	0.98	0.98	0.99
	HIGH	1834	1.02	1.02	1.01
2TXCD065AS3+*UD140R9V5	NOMINAL	1600	1.00	1.00	1.00
	LOW	1391	0.98	0.98	0.99
	HIGH	1789	1.02	1.02	1.01
2TXCD065AS3+*UY120R9V5	NOMINAL	1600	1.00	1.00	1.00
	LOW	1243	0.98	0.98	0.99
	HIGH	1598	1.02	1.02	1.01
2TXFH054AS3	NOMINAL	1600	1.00	1.00	1.00
	LOW	1400	0.98	0.98	0.99
	HIGH	1800	1.02	1.02	1.01
2TXFH054AS3+*DD100R9V5	NOMINAL	1600	1.00	1.00	1.00
	LOW	1418	0.98	0.98	0.99
	HIGH	1823	1.02	1.02	1.01
2TXFH054AS3+*DD120R9V5	NOMINAL	1600	1.00	1.00	1.00
	LOW	1426	0.98	0.98	0.99
	HIGH	1834	1.02	1.02	1.01
2TXFH054AS3+*DY100R9V4	NOMINAL	1600	1.00	1.00	1.00
	LOW	1269	0.98	0.98	0.99
	HIGH	1631	1.02	1.02	1.01
2TXFH054AS3+*DY120R9V5	NOMINAL	1600	1.00	1.00	1.00
	LOW	1251	0.98	0.98	0.99
	HIGH	1609	1.02	1.02	1.01
2TXFH054AS3+*UD080R9V4	NOMINAL	1600	1.00	1.00	1.00
	LOW	1391	0.98	0.98	0.99
	HIGH	1789	1.02	1.02	1.01
2TXFH054AS3+*UD100R9V5	NOMINAL	1600	1.00	1.00	1.00
	LOW	1461	0.98	0.98	0.99
	HIGH	1879	1.02	1.02	1.01
2TXFH054AS3+*UD120R9V5	NOMINAL	1600	1.00	1.00	1.00
	LOW	1426	0.98	0.98	0.99
	HIGH	1834	1.02	1.02	1.01
2TXFH054AS3+*UD140R9V5	NOMINAL	1600	1.00	1.00	1.00
	LOW	1391	0.98	0.98	0.99
	HIGH	1789	1.02	1.02	1.01
2TXFH054AS3+*UY100R9V4	NOMINAL	1600	1.00	1.00	1.00
	LOW	1251	0.98	0.98	0.99
	HIGH	1609	1.02	1.02	1.01
2TXFH054AS3+*UY120R9V5	NOMINAL	1600	1.00	1.00	1.00
	LOW	1251	0.98	0.98	0.99
	HIGH	1609	1.02	1.02	1.01
2TXFH063AS3	NOMINAL	1600	1.00	1.00	1.00
	LOW	1400	0.98	0.98	0.99
	HIGH	1800	1.02	1.02	1.01
2TXFH063AS3+*DD100R9V5	NOMINAL	1600	1.00	1.00	1.00
	LOW	1418	0.98	0.98	0.99
	HIGH	1823	1.02	1.02	1.01



# Performance Data Cooling

## 2TTA3048A3/4

**CORRECTION FACTORS FOR OTHER COMBINATIONS (MULTIPLY DATA BY FACTOR)**

INDOOR MODEL		CFM	MBTUH TOT	MBTUH SEN	SYST KW
2TXFH063AS3+*DD120R9V5	NOMINAL	1600	1.00	1.00	1.00
	LOW	1426	0.98	0.98	0.99
	HIGH	1834	1.02	1.02	1.01
2TXFH063AS3+*DY100R9V4	NOMINAL	1600	1.00	1.00	1.00
	LOW	1269	0.98	0.98	0.99
	HIGH	1631	1.02	1.02	1.01
2TXFH063AS3+*DY120R9V5	NOMINAL	1600	1.00	1.00	1.00
	LOW	1243	0.98	0.98	0.99
	HIGH	1598	1.02	1.02	1.01
2TXFH063AS3+*UD080R9V4	NOMINAL	1600	1.00	1.00	1.00
	LOW	1391	0.98	0.98	0.99
	HIGH	1789	1.02	1.02	1.01
2TXFH063AS3+*UD100R9V5	NOMINAL	1600	1.00	1.00	1.00
	LOW	1461	0.98	0.98	0.99
	HIGH	1879	1.02	1.02	1.01
2TXFH063AS3+*UD120R9V5	NOMINAL	1600	1.00	1.00	1.00
	LOW	1418	0.98	0.98	0.99
	HIGH	1823	1.02	1.02	1.01
2TXFH063AS3+*UD140R9V5	NOMINAL	1600	1.00	1.00	1.00
	LOW	1391	0.98	0.98	0.99
	HIGH	1789	1.02	1.02	1.01
2TXFH063AS3+*UY100R9V4	NOMINAL	1600	1.00	1.00	1.00
	LOW	1243	0.98	0.98	0.99
	HIGH	1598	1.02	1.02	1.01
2TXFH063AS3+*UY120R9V5	NOMINAL	1600	1.00	1.00	1.00
	LOW	1243	0.98	0.98	0.99
	HIGH	1598	1.02	1.02	1.01
TWE042P13	NOMINAL	1600	1.00	1.00	1.00
	LOW	1400	0.98	0.98	0.99
	HIGH	1800	1.02	1.02	1.01
TWE048C14+TAYTXVH-3	NOMINAL	1600	1.00	1.00	1.00
	LOW	1400	0.98	0.98	0.99
	HIGH	1800	1.02	1.02	1.01
TWE048C14+TYATXV-3	NOMINAL	1600	1.00	1.00	1.00
	LOW	1400	0.98	0.98	0.99
	HIGH	1800	1.02	1.02	1.01
TWE048P13	NOMINAL	1600	1.00	1.00	1.00
	LOW	1400	0.98	0.98	0.99
	HIGH	1800	1.02	1.02	1.01
TWE049E13	NOMINAL	1600	1.00	1.00	1.00
	LOW	1400	0.98	0.98	0.99
	HIGH	1800	1.02	1.02	1.01
TWE060P13	NOMINAL	1600	1.00	1.00	1.00
	LOW	1400	0.98	0.98	0.99
	HIGH	1800	1.02	1.02	1.01
TWE063P13	NOMINAL	1600	1.00	1.00	1.00
	LOW	1453	0.98	0.98	0.99
	HIGH	1868	1.02	1.02	1.01
TWE065E13	NOMINAL	1600	1.00	1.00	1.00
	LOW	1435	0.98	0.98	0.99
	HIGH	1845	1.02	1.02	1.01
TWG048A14+TAYTXVH-3	NOMINAL	1600	1.00	1.00	1.00
	LOW	1400	0.98	0.98	0.99
	HIGH	1800	1.02	1.02	1.01
TWG048A14+TYATXV-3	NOMINAL	1600	1.00	1.00	1.00
	LOW	1400	0.98	0.98	0.99
	HIGH	1800	1.02	1.02	1.01
TXA048C4+TAYTXVH-3	NOMINAL	1600	1.00	1.00	1.00
	LOW	1181	0.98	0.98	0.99
	HIGH	1519	1.02	1.02	1.01
TXA048C4+TYATXV-3	NOMINAL	1600	1.00	1.00	1.00
	LOW	1181	0.98	0.98	0.99
	HIGH	1519	1.02	1.02	1.01

**CORRECTION FACTORS FOR OTHER COMBINATIONS (MULTIPLY DATA BY FACTOR)**

INDOOR MODEL		CFM	MBTUH TOT	MBTUH SEN	SYST KW
TXA049C4+TAYTXVH-3	NOMINAL	1600	1.00	1.00	1.00
	LOW	1400	0.98	0.98	0.99
	HIGH	1800	1.02	1.02	1.01
TXA049C4+TYATXV-3	NOMINAL	1600	1.00	1.00	1.00
	LOW	1400	0.98	0.98	0.99
	HIGH	1800	1.02	1.02	1.01
TXA050C4+TAYTXVH-3	NOMINAL	1600	1.00	1.00	1.00
	LOW	1400	0.98	0.98	0.99
	HIGH	1800	1.02	1.02	1.01
TXA050C4+TYATXV-3	NOMINAL	1600	1.00	1.00	1.00
	LOW	1400	0.98	0.98	0.99
	HIGH	1800	1.02	1.02	1.01
TXA061C5+BAY24X045	NOMINAL	1600	1.00	1.00	1.00
	LOW	1400	0.98	0.98	0.99
	HIGH	1800	1.02	1.02	1.01
TXC048C4+TAYTXVH-3	NOMINAL	1600	1.00	1.00	1.00
	LOW	1181	0.98	0.98	0.99
	HIGH	1519	1.02	1.02	1.01
TXC048C4+TYATXV-3	NOMINAL	1600	1.00	1.00	1.00
	LOW	1181	0.98	0.98	0.99
	HIGH	1519	1.02	1.02	1.01
TXC049C4+TAYTXVH-3	NOMINAL	1600	1.00	1.00	1.00
	LOW	1400	0.98	0.98	0.99
	HIGH	1800	1.02	1.02	1.01
TXC049C4+TYATXV-3	NOMINAL	1600	1.00	1.00	1.00
	LOW	1400	0.98	0.98	0.99
	HIGH	1800	1.02	1.02	1.01
TXC050C4+TAYTXVH-3	NOMINAL	1600	1.00	1.00	1.00
	LOW	1400	0.98	0.98	0.99
	HIGH	1800	1.02	1.02	1.01
TXC050C4+TYATXV-3	NOMINAL	1600	1.00	1.00	1.00
	LOW	1400	0.98	0.98	0.99
	HIGH	1800	1.02	1.02	1.01
TXC054S3	NOMINAL	1600	1.00	1.00	1.00
	LOW	1400	0.98	0.98	0.99
	HIGH	1800	1.02	1.02	1.01
TXC054S3+*DD100R9V5	NOMINAL	1600	1.00	1.00	1.00
	LOW	1418	0.98	0.98	0.99
	HIGH	1823	1.02	1.02	1.01
TXC054S3+*DY100R9V4	NOMINAL	1600	1.00	1.00	1.00
	LOW	1269	0.98	0.98	0.99
	HIGH	1631	1.02	1.02	1.01
TXC054S3+*UD100R9V5	NOMINAL	1600	1.00	1.00	1.00
	LOW	1461	0.98	0.98	0.99
	HIGH	1879	1.02	1.02	1.01
TXC054S3+*UY100R9V4	NOMINAL	1600	1.00	1.00	1.00
	LOW	1251	0.98	0.98	0.99
	HIGH	1609	1.02	1.02	1.01
TXC060C5+BAY24X045	NOMINAL	1600	1.00	1.00	1.00
	LOW	1400	0.98	0.98	0.99
	HIGH	1800	1.02	1.02	1.01
TXC061C5+BAY24X045	NOMINAL	1600	1.00	1.00	1.00
	LOW	1400	0.98	0.98	0.99
	HIGH	1800	1.02	1.02	1.01
TXC065S3	NOMINAL	1600	1.00	1.00	1.00
	LOW	1400	0.98	0.98	0.99
	HIGH	1800	1.02	1.02	1.01
TXC065S3+*DD120R9V5	NOMINAL	1600	1.00	1.00	1.00
	LOW	1426	0.98	0.98	0.99
	HIGH	1834	1.02	1.02	1.01
TXC065S3+*DY120R9V5	NOMINAL	1600	1.00	1.00	1.00
	LOW	1251	0.98	0.98	0.99
	HIGH	1609	1.02	1.02	1.01



# Performance Data Cooling

## 2TTA3048A3/4

**CORRECTION FACTORS FOR OTHER COMBINATIONS (MULTIPLY DATA BY FACTOR)**

INDOOR MODEL		CFM	MBTUH TOT	MBTUH SEN	SYST KW
TXC065S3+*UD120R9V5	NOMINAL	1600	1.00	1.00	1.00
	LOW	1426	0.98	0.98	0.99
	HIGH	1834	1.02	1.02	1.01
TXC065S3+*UD140R9V5	NOMINAL	1600	1.00	1.00	1.00
	LOW	1391	0.98	0.98	0.99
	HIGH	1789	1.02	1.02	1.01
TXC065S3+*UY120R9V5	NOMINAL	1600	1.00	1.00	1.00
	LOW	1243	0.98	0.98	0.99
	HIGH	1598	1.02	1.02	1.01
TXH054A4+TAYTXVH-3	NOMINAL	1600	1.00	1.00	1.00
	LOW	1400	0.98	0.98	0.99
	HIGH	1800	1.02	1.02	1.01
TXH054A4+TAYTXVH-3+*DD100R9V5	NOMINAL	1600	1.00	1.00	1.00
	LOW	1418	0.98	0.98	0.99
	HIGH	1823	1.02	1.02	1.01
TXH054A4+TAYTXVH-3+*DD120R9V5	NOMINAL	1600	1.00	1.00	1.00
	LOW	1426	0.98	0.98	0.99
	HIGH	1834	1.02	1.02	1.01
TXH054A4+TAYTXVH-3+*DY100R9V4	NOMINAL	1600	1.00	1.00	1.00
	LOW	1269	0.98	0.98	0.99
	HIGH	1631	1.02	1.02	1.01
TXH054A4+TAYTXVH-3+*DY120R9V5	NOMINAL	1600	1.00	1.00	1.00
	LOW	1251	0.98	0.98	0.99
	HIGH	1609	1.02	1.02	1.01
TXH054A4+TAYTXVH-3+*UD080R9V4	NOMINAL	1600	1.00	1.00	1.00
	LOW	1391	0.98	0.98	0.99
	HIGH	1789	1.02	1.02	1.01
TXH054A4+TAYTXVH-3+*UD100R9V5	NOMINAL	1600	1.00	1.00	1.00
	LOW	1461	0.98	0.98	0.99
	HIGH	1879	1.02	1.02	1.01
TXH054A4+TAYTXVH-3+*UD120R9V5	NOMINAL	1600	1.00	1.00	1.00
	LOW	1426	0.98	0.98	0.99
	HIGH	1834	1.02	1.02	1.01
TXH054A4+TAYTXVH-3+*UD140R9V5	NOMINAL	1600	1.00	1.00	1.00
	LOW	1391	0.98	0.98	0.99
	HIGH	1789	1.02	1.02	1.01
TXH054A4+TAYTXVH-3+*UY100R9V4	NOMINAL	1600	1.00	1.00	1.00
	LOW	1251	0.98	0.98	0.99
	HIGH	1609	1.02	1.02	1.01
TXH054A4+TAYTXVH-3+*UY120R9V5	NOMINAL	1600	1.00	1.00	1.00
	LOW	1251	0.98	0.98	0.99
	HIGH	1609	1.02	1.02	1.01
TXH054A4+TYATXV-3	NOMINAL	1600	1.00	1.00	1.00
	LOW	1400	0.98	0.98	0.99
	HIGH	1800	1.02	1.02	1.01
TXH054A4+TYATXV-3+*DD100R9V5	NOMINAL	1600	1.00	1.00	1.00
	LOW	1418	0.98	0.98	0.99
	HIGH	1823	1.02	1.02	1.01
TXH054A4+TYATXV-3+*DD120R9V5	NOMINAL	1600	1.00	1.00	1.00
	LOW	1426	0.98	0.98	0.99
	HIGH	1834	1.02	1.02	1.01

**CORRECTION FACTORS FOR OTHER COMBINATIONS (MULTIPLY DATA BY FACTOR)**

INDOOR MODEL		CFM	MBTUH TOT	MBTUH SEN	SYST KW
TXH054A4+TYATXV-3+*DY100R9V4	NOMINAL	1600	1.00	1.00	1.00
	LOW	1269	0.98	0.98	0.99
	HIGH	1631	1.02	1.02	1.01
TXH054A4+TYATXV-3+*DY120R9V5	NOMINAL	1600	1.00	1.00	1.00
	LOW	1251	0.98	0.98	0.99
	HIGH	1609	1.02	1.02	1.01
TXH054A4+TYATXV-3+*UD080R9V4	NOMINAL	1600	1.00	1.00	1.00
	LOW	1391	0.98	0.98	0.99
	HIGH	1789	1.02	1.02	1.01
TXH054A4+TYATXV-3+*UD100R9V5	NOMINAL	1600	1.00	1.00	1.00
	LOW	1461	0.98	0.98	0.99
	HIGH	1879	1.02	1.02	1.01
TXH054A4+TYATXV-3+*UD120R9V5	NOMINAL	1600	1.00	1.00	1.00
	LOW	1426	0.98	0.98	0.99
	HIGH	1834	1.02	1.02	1.01
TXH054A4+TYATXV-3+*UD140R9V5	NOMINAL	1600	1.00	1.00	1.00
	LOW	1391	0.98	0.98	0.99
	HIGH	1789	1.02	1.02	1.01
TXH054A4+TYATXV-3+*UY100R9V4	NOMINAL	1600	1.00	1.00	1.00
	LOW	1251	0.98	0.98	0.99
	HIGH	1609	1.02	1.02	1.01
TXH054A4+TYATXV-3+*UY120R9V5	NOMINAL	1600	1.00	1.00	1.00
	LOW	1251	0.98	0.98	0.99
	HIGH	1609	1.02	1.02	1.01
TXH063P3+*DD100R9V5	NOMINAL	1600	1.00	1.00	1.00
	LOW	1418	0.98	0.98	0.99
	HIGH	1823	1.02	1.02	1.01
TXH063P3+*DD120R9V5	NOMINAL	1600	1.00	1.00	1.00
	LOW	1426	0.98	0.98	0.99
	HIGH	1834	1.02	1.02	1.01
TXH063P3+*DY100R9V4	NOMINAL	1600	1.00	1.00	1.00
	LOW	1269	0.98	0.98	0.99
	HIGH	1631	1.02	1.02	1.01
TXH063P3+*DY120R9V5	NOMINAL	1600	1.00	1.00	1.00
	LOW	1243	0.98	0.98	0.99
	HIGH	1598	1.02	1.02	1.01
TXH063P3+*UD100R9V5	NOMINAL	1600	1.00	1.00	1.00
	LOW	1461	0.98	0.98	0.99
	HIGH	1879	1.02	1.02	1.01
TXH063P3+*UD120R9V5	NOMINAL	1600	1.00	1.00	1.00
	LOW	1418	0.98	0.98	0.99
	HIGH	1823	1.02	1.02	1.01
TXH063P3+*UD140R9V5	NOMINAL	1600	1.00	1.00	1.00
	LOW	1391	0.98	0.98	0.99
	HIGH	1789	1.02	1.02	1.01
TXH063P3+*UY100R9V4	NOMINAL	1600	1.00	1.00	1.00
	LOW	1243	0.98	0.98	0.99
	HIGH	1598	1.02	1.02	1.01
TXH063P3+*UY120R9V5	NOMINAL	1600	1.00	1.00	1.00
	LOW	1243	0.98	0.98	0.99
	HIGH	1598	1.02	1.02	1.01





# Performance Data Cooling

## 2TTA3060A3/4

### 2TTA3060A3/4 WITH 2TXCD061AC3 AT 1900 CFM

O.D. D.B.	I.D. W.B.	TOT. CAP.	SENS. CAP. AT ENTERING D.B. TEMP.				TOTAL KW
			72	75	78	80	
85	59	54.2	35.0	42.0	49.0	53.6	4.66
	63	56.5	32.1	38.6	45.0	49.1	4.68
	67	60.9	27.7	33.3	38.8	42.4	4.76
	71	65.7	23.0	27.6	32.2	35.2	4.81
95	59	52.0	34.7	41.7	48.6	52.0	5.15
	63	54.2	31.8	38.3	44.6	48.8	5.18
	67	58.5	27.5	33.0	38.5	42.1	5.27
	71	63.1	22.8	27.4	31.9	34.9	5.32
105	59	49.9	34.3	41.3	48.1	49.9	5.65
	63	52.0	31.5	37.9	44.1	48.3	5.68
	67	56.0	27.2	32.7	38.1	41.6	5.78
	71	60.5	22.5	27.1	31.6	34.5	5.83
115	59	47.7	33.9	40.7	47.5	47.7	6.14
	63	49.8	31.1	37.4	43.6	47.6	6.18
	67	53.6	26.8	32.2	37.6	41.1	6.29
	71	57.9	22.2	26.7	31.2	34.1	6.34

### CORRECTION FACTORS FOR OTHER AIRFLOWS (MULTIPLY DATA BY FACTOR)

AIRFLOW	TOTAL CAPACITY	SENSIBLE CAPACITY
LOW	1663	0.98
HIGH	2138	1.02

NOTE: ALL TABLES ABOVE ARE AT ARI RATING CONDITIONS RATED WITH 25 FEET OF REFRIGERANT LINES.  
 \* DRY COIL CONDITION (TOTAL CAPACITY = SENSIBLE CAPACITY)  
 TOTAL CAPACITY, COMP. KW AND APP. DEW PT. ARE VALID ONLY FOR WET COIL. ALL TEMPERATURES IN DEGREES F.

### CORRECTION FACTORS FOR OTHER COMBINATIONS (MULTIPLY DATA BY FACTOR)

INDOOR MODEL	CFM	MBTUH TOT	MBTUH SEN	SYST KW
2CXAC060AC3	NOMINAL	1900	1.00	1.00
	LOW	1461	0.98	0.98
	HIGH	1879	1.02	1.01
2CXAD061AC3	NOMINAL	1900	1.00	1.00
	LOW	1741	0.98	0.98
	HIGH	2239	1.02	1.01
2CXAD061AC3+*DD120R9V5	NOMINAL	1900	1.00	1.00
	LOW	1425	0.98	0.98
	HIGH	1832	1.02	1.01
2CXAD061AC3+*DY120R9V5	NOMINAL	1900	1.00	1.00
	LOW	1439	0.98	0.98
	HIGH	1850	1.02	1.01
2CXAD061AC3+*UD120R9V5	NOMINAL	1900	1.00	1.00
	LOW	1422	0.98	0.98
	HIGH	1828	1.02	1.01
2CXAD061AC3+*UD140R9V5	NOMINAL	1900	1.00	1.00
	LOW	1395	0.98	0.98
	HIGH	1793	1.02	1.01
2CXAD061AC3+*UY120R9V5	NOMINAL	1900	1.00	1.00
	LOW	1469	0.98	0.98
	HIGH	1889	1.02	1.01
2CXCC060AC3	NOMINAL	1900	1.00	1.00
	LOW	1461	0.98	0.98
	HIGH	1879	1.02	1.01
2CXCD061AC3	NOMINAL	1900	1.00	1.00
	LOW	1741	0.98	0.98
	HIGH	2239	1.02	1.01
2CXCD061AC3+*DD120R9V5	NOMINAL	1900	1.00	1.00
	LOW	1425	0.98	0.98
	HIGH	1832	1.02	1.01
2CXCD061AC3+*DY120R9V5	NOMINAL	1900	1.00	1.00
	LOW	1439	0.98	0.98
	HIGH	1850	1.02	1.01

### CORRECTION FACTORS FOR OTHER COMBINATIONS (MULTIPLY DATA BY FACTOR)

INDOOR MODEL	CFM	MBTUH TOT	MBTUH SEN	SYST KW
2CXCD061AC3+*UD120R9V5	NOMINAL	1900	1.00	1.00
	LOW	1422	0.98	0.98
	HIGH	1828	1.02	1.01
2CXCD061AC3+*UD140R9V5	NOMINAL	1900	1.00	1.00
	LOW	1395	0.98	0.98
	HIGH	1793	1.02	1.01
2CXCD061AC3+*UY120R9V5	NOMINAL	1900	1.00	1.00
	LOW	1469	0.98	0.98
	HIGH	1889	1.02	1.01
2TEC3F60A1	NOMINAL	1900	1.00	1.00
	LOW	1584	0.98	0.98
	HIGH	2036	1.02	1.01
2TEP3F48B1	NOMINAL	1900	1.00	1.00
	LOW	1531	0.98	0.98
	HIGH	1969	1.02	1.01
2TEP3F63B1	NOMINAL	1900	1.00	1.00
	LOW	1750	0.98	0.98
	HIGH	2250	1.02	1.01
2TXCC060AC3	NOMINAL	1900	1.00	1.00
	LOW	1461	0.98	0.98
	HIGH	1879	1.02	1.01
2TXCD061AC3+*DD120R9V5	NOMINAL	1900	1.00	1.00
	LOW	1425	0.98	0.98
	HIGH	1832	1.02	1.01
2TXCD061AC3+*DY120R9V5	NOMINAL	1900	1.00	1.00
	LOW	1439	0.98	0.98
	HIGH	1850	1.02	1.01
2TXCD061AC3+*UD120R9V5	NOMINAL	1900	1.00	1.00
	LOW	1422	0.98	0.98
	HIGH	1828	1.02	1.01
2TXCD061AC3+*UD140R9V5	NOMINAL	1900	1.00	1.00
	LOW	1395	0.98	0.98
	HIGH	1793	1.02	1.01
2TXCD061AC3+*UY120R9V5	NOMINAL	1900	1.00	1.00
	LOW	1469	0.98	0.98
	HIGH	1889	1.02	1.01
2TXCD065AS3	NOMINAL	1900	1.00	1.00
	LOW	1750	0.98	0.98
	HIGH	2250	1.02	1.01
2TXCD065AS3+*DD120R9V5	NOMINAL	1900	1.00	1.00
	LOW	1768	0.98	0.98
	HIGH	2273	1.02	1.01
2TXCD065AS3+*DY120R9V5	NOMINAL	1900	1.00	1.00
	LOW	1514	0.98	0.98
	HIGH	1946	1.02	1.01
2TXCD065AS3+*UD120R9V5	NOMINAL	1900	1.00	1.00
	LOW	1724	0.98	0.98
	HIGH	2216	1.02	1.01
2TXCD065AS3+*UD140R9V5	NOMINAL	1900	1.00	1.00
	LOW	1715	0.98	0.98
	HIGH	2205	1.02	1.01
2TXCD065AS3+*UY120R9V5	NOMINAL	1900	1.00	1.00
	LOW	1566	0.98	0.98
	HIGH	2014	1.02	1.01
2TXFH054AS3	NOMINAL	1900	1.00	1.00
	LOW	1453	0.98	0.98
	HIGH	1868	1.02	1.01
2TXFH054AS3+*DD100R9V5	NOMINAL	1900	1.00	1.00
	LOW	1420	0.98	0.98
	HIGH	1826	1.02	1.01
2TXFH054AS3+*DD120R9V5	NOMINAL	1900	1.00	1.00
	LOW	1430	0.98	0.98
	HIGH	1838	1.02	1.01



# Performance Data Cooling

## 2TTA3060A3/4

**CORRECTION FACTORS FOR OTHER COMBINATIONS (MULTIPLY DATA BY FACTOR)**

INDOOR MODEL		CFM	MBTUH TOT	MBTUH SEN	SYST KW
2TXFH054AS3+*DY120R9V5	NOMINAL	1900	1.00	1.00	1.00
	LOW	1422	0.98	0.98	0.99
	HIGH	1828	1.02	1.02	1.01
2TXFH054AS3+*UD100R9V5	NOMINAL	1900	1.00	1.00	1.00
	LOW	1461	0.98	0.98	0.99
	HIGH	1879	1.02	1.02	1.01
2TXFH054AS3+*UD120R9V5	NOMINAL	1900	1.00	1.00	1.00
	LOW	1427	0.98	0.98	0.99
	HIGH	1835	1.02	1.02	1.01
2TXFH054AS3+*UD140R9V5	NOMINAL	1900	1.00	1.00	1.00
	LOW	1392	0.98	0.98	0.99
	HIGH	1790	1.02	1.02	1.01
2TXFH054AS3+*UY120R9V5	NOMINAL	1900	1.00	1.00	1.00
	LOW	1461	0.98	0.98	0.99
	HIGH	1879	1.02	1.02	1.01
2TXFH063AS3	NOMINAL	1900	1.00	1.00	1.00
	LOW	1750	0.98	0.98	0.99
	HIGH	2250	1.02	1.02	1.01
2TXFH063AS3+*DD100R9V5	NOMINAL	1900	1.00	1.00	1.00
	LOW	1421	0.98	0.98	0.99
	HIGH	1827	1.02	1.02	1.01
2TXFH063AS3+*DD120R9V5	NOMINAL	1900	1.00	1.00	1.00
	LOW	1423	0.98	0.98	0.99
	HIGH	1829	1.02	1.02	1.01
2TXFH063AS3+*DY120R9V5	NOMINAL	1900	1.00	1.00	1.00
	LOW	1442	0.98	0.98	0.99
	HIGH	1854	1.02	1.02	1.01
2TXFH063AS3+*UD100R9V5	NOMINAL	1900	1.00	1.00	1.00
	LOW	1465	0.98	0.98	0.99
	HIGH	1883	1.02	1.02	1.01
2TXFH063AS3+*UD120R9V5	NOMINAL	1900	1.00	1.00	1.00
	LOW	1419	0.98	0.98	0.99
	HIGH	1825	1.02	1.02	1.01
2TXFH063AS3+*UD140R9V5	NOMINAL	1900	1.00	1.00	1.00
	LOW	1395	0.98	0.98	0.99
	HIGH	1793	1.02	1.02	1.01
2TXFH063AS3+*UY120R9V5	NOMINAL	1900	1.00	1.00	1.00
	LOW	1469	0.98	0.98	0.99
	HIGH	1889	1.02	1.02	1.01
TWE049E13	NOMINAL	1900	1.00	1.00	1.00
	LOW	1820	0.98	0.98	0.99
	HIGH	2340	1.02	1.02	1.01
TWE060A+BAY24X045	NOMINAL	1900	1.00	1.00	1.00
	LOW	1750	0.98	0.98	0.99
	HIGH	2250	1.02	1.02	1.01

**CORRECTION FACTORS FOR OTHER COMBINATIONS (MULTIPLY DATA BY FACTOR)**

INDOOR MODEL		CFM	MBTUH TOT	MBTUH SEN	SYST KW
TWE060P13	NOMINAL	1900	1.00	1.00	1.00
	LOW	1531	0.98	0.98	0.99
	HIGH	1969	1.02	1.02	1.01
TWE063P13	NOMINAL	1900	1.00	1.00	1.00
	LOW	1750	0.98	0.98	0.99
	HIGH	2250	1.02	1.02	1.01
TWE065E13	NOMINAL	1900	1.00	1.00	1.00
	LOW	1588	0.98	0.98	0.99
	HIGH	2042	1.02	1.02	1.01
TXA060C5+BAY24X045	NOMINAL	1900	1.00	1.00	1.00
	LOW	1488	0.98	0.98	0.99
	HIGH	1913	1.02	1.02	1.01
TXA061C5+BAY24X045	NOMINAL	1900	1.00	1.00	1.00
	LOW	1628	0.98	0.98	0.99
	HIGH	2093	1.02	1.02	1.01
TXC060C5+BAY24X045	NOMINAL	1900	1.00	1.00	1.00
	LOW	1488	0.98	0.98	0.99
	HIGH	1913	1.02	1.02	1.01
TXC061C5+BAY24X045	NOMINAL	1900	1.00	1.00	1.00
	LOW	1628	0.98	0.98	0.99
	HIGH	2093	1.02	1.02	1.01
TXC065S3	NOMINAL	1900	1.00	1.00	1.00
	LOW	1750	0.98	0.98	0.99
	HIGH	2250	1.02	1.02	1.01
TXC065S3+*DD120R9V5	NOMINAL	1900	1.00	1.00	1.00
	LOW	1768	0.98	0.98	0.99
	HIGH	2273	1.02	1.02	1.01
TXC065S3+*DY120R9V5	NOMINAL	1900	1.00	1.00	1.00
	LOW	1514	0.98	0.98	0.99
	HIGH	1946	1.02	1.02	1.01
TXC065S3+*UD120R9V5	NOMINAL	1900	1.00	1.00	1.00
	LOW	1724	0.98	0.98	0.99
	HIGH	2216	1.02	1.02	1.01
TXC065S3+*UD140R9V5	NOMINAL	1900	1.00	1.00	1.00
	LOW	1715	0.98	0.98	0.99
	HIGH	2205	1.02	1.02	1.01
TXC065S3+*UY120R9V5	NOMINAL	1900	1.00	1.00	1.00
	LOW	1566	0.98	0.98	0.99
	HIGH	2014	1.02	1.02	1.01
TXH063P3	NOMINAL	1900	1.00	1.00	1.00
	LOW	1750	0.98	0.98	0.99
	HIGH	2250	1.02	1.02	1.01

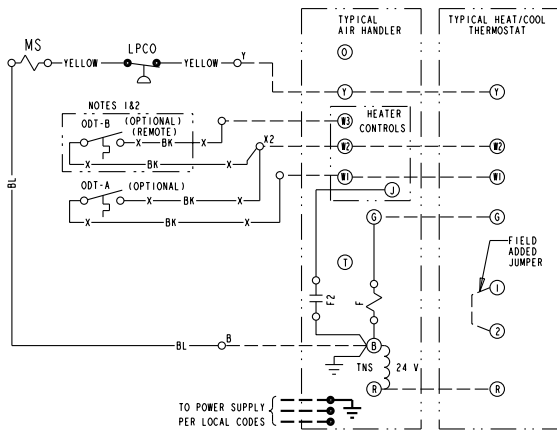
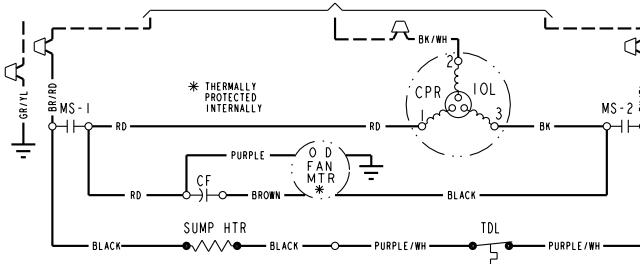
# Electrical Data

## Schematic Diagrams

(SEE LEGEND)

### 2TTA3030,048A3000A 2TTA3042A3000B

TO POWER SUPPLY PER UNIT NAMEPLATE AND LOCAL CODES



**NOTES:**

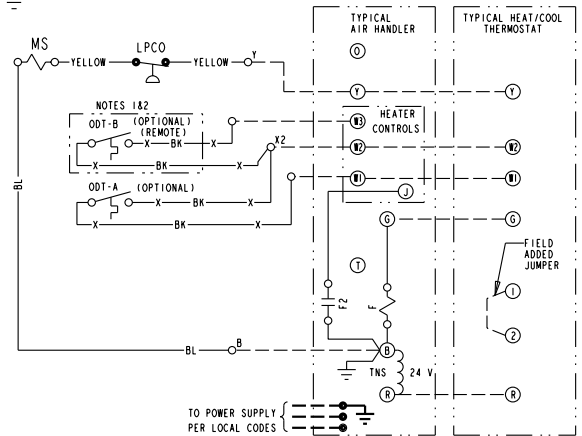
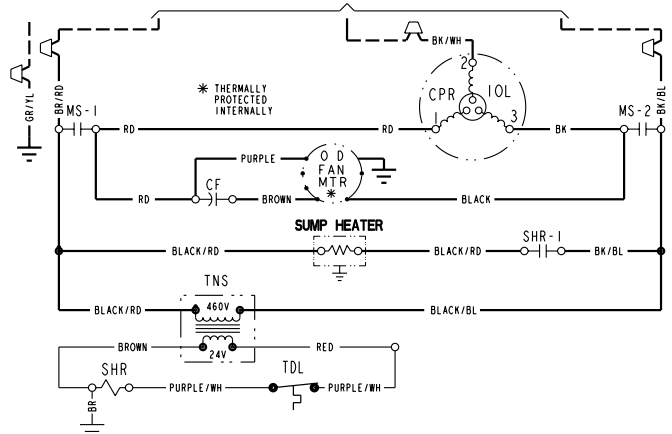
1. IF ODT-B IS NOT USED, ADD JUMPER BETWEEN W2 & W3 AT AIR HANDLER.  
IF USED, ODT-B MUST BE MOUNTED REMOTE OF CONTROL BOX IN AN APPROVED WEATHER PROOF ENCLOSURE.
2. IF ODT-A IS NOT USED, ADD JUMPER BETWEEN W1 & W2 AT AIR HANDLER.
3. LOW VOLTAGE (24 V.) FIELD WIRING MUST BE 18 AWG MIN.

<p><b>⚠ WARNING</b> HAZARDOUS VOLTAGE! DISCONNECT ALL ELECTRIC POWER INCLUDING REMOTE DISCONNECTS BEFORE SERVICING. FAILURE TO DISCONNECT POWER BEFORE SERVICING CAN CAUSE SEVERE PERSONAL INJURY OR DEATH!</p>	<p><b>⚠ CAUTION</b> USE COPPER CONDUCTORS ONLY! UNIT TERMINALS ARE NOT DESIGNED TO ACCEPT OTHER TYPES OF CONDUCTORS. FAILURE TO DO SO MAY CAUSE DAMAGE TO THE EQUIPMENT!</p>
---	--

**NOTE**  
THREE PHASE MOTOR (S) FACTORY SUPPLIED IN THIS EQUIPMENT PROTECTED UNDER PRIMARY SINGLE-PHASE CONDITIONS.

### 2TTA3030,036,048A4000A 2TTA3042A4000B

TO POWER SUPPLY PER UNIT NAMEPLATE AND LOCAL CODES



**NOTES:**

1. IF ODT-B IS NOT USED, ADD JUMPER BETWEEN W2 & W3 AT AIR HANDLER.  
IF USED, ODT-B MUST BE MOUNTED REMOTE OF CONTROL BOX IN AN APPROVED WEATHER PROOF ENCLOSURE.
2. IF ODT-A IS NOT USED, ADD JUMPER BETWEEN W1 & W2 AT AIR HANDLER.
3. LOW VOLTAGE (24 V.) FIELD WIRING MUST BE 18 AWG MIN.

<p><b>⚠ WARNING</b> HAZARDOUS VOLTAGE! DISCONNECT ALL ELECTRIC POWER INCLUDING REMOTE DISCONNECTS BEFORE SERVICING. FAILURE TO DISCONNECT POWER BEFORE SERVICING CAN CAUSE SEVERE PERSONAL INJURY OR DEATH!</p>	<p><b>⚠ CAUTION</b> USE COPPER CONDUCTORS ONLY! UNIT TERMINALS ARE NOT DESIGNED TO ACCEPT OTHER TYPES OF CONDUCTORS. FAILURE TO DO SO MAY CAUSE DAMAGE TO THE EQUIPMENT!</p>
---	--

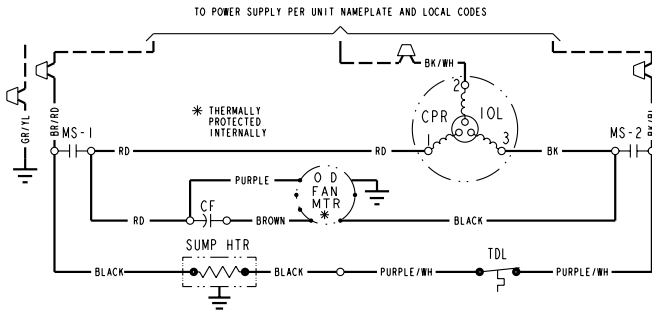
**NOTE**  
THREE PHASE MOTOR (S) FACTORY SUPPLIED IN THIS EQUIPMENT PROTECTED UNDER PRIMARY SINGLE-PHASE CONDITIONS.

# Electrical Data

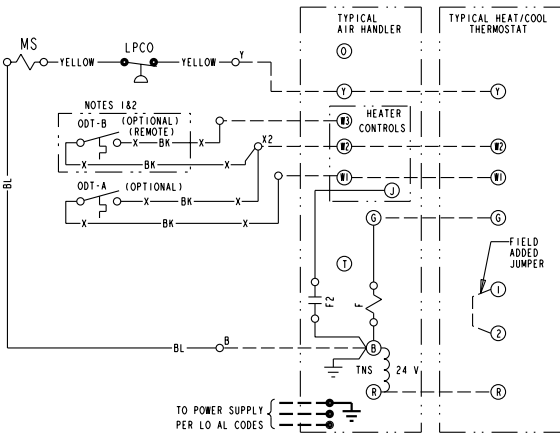
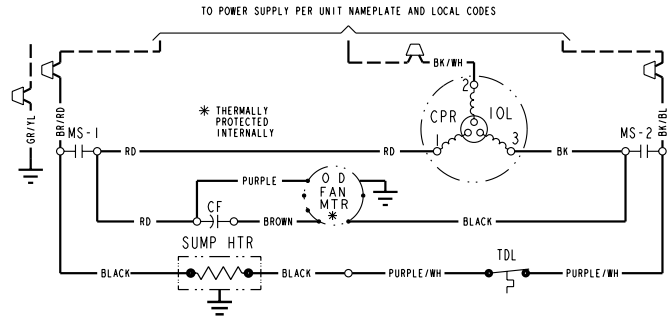
## Schematic Diagrams

(SEE LEGEND)

### 2TTA3036A3000A



### 2TTA3060A3000A

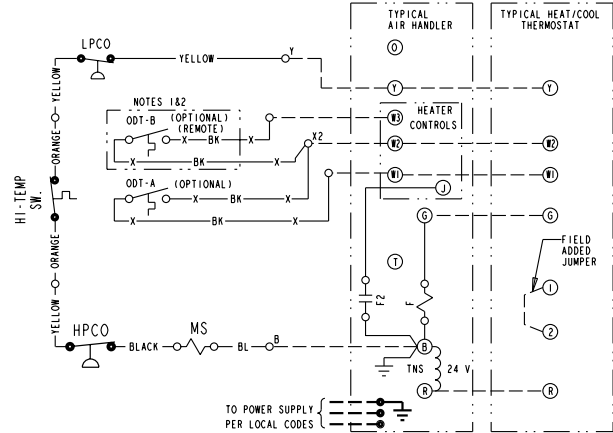


**NOTES:**

- IF ODT-B IS NOT USED, ADD JUMPER BETWEEN W2 & W3 AT AIR HANDLER. IF USED, ODT-B MUST BE MOUNTED REMOTE OF CONTROL BOX IN AN APPROVED WEATHER PROOF ENCLOSURE.
- IF ODT-A IS NOT USED, ADD JUMPER BETWEEN W1 & W2 AT AIR HANDLER.
- LOW VOLTAGE (24 V.) FIELD WIRING MUST BE 18 AWG MIN.

<p><b>⚠ WARNING</b> HAZARDOUS VOLTAGE! DISCONNECT ALL ELECTRIC POWER INCLUDING REMOTE DISCONNECTS BEFORE SERVICING. FAILURE TO DISCONNECT POWER BEFORE SERVICING CAN CAUSE SEVERE PERSONAL INJURY OR DEATH!</p>	<p><b>⚠ CAUTION</b> USE COPPER CONDUCTORS ONLY! UNIT TERMINALS ARE NOT DESIGNED TO ACCEPT OTHER TYPES OF CONDUCTORS. FAILURE TO DO SO MAY CAUSE DAMAGE TO THE EQUIPMENT!</p>
---	--

**NOTE**  
THREE PHASE MOTOR (S) FACTORY SUPPLIED IN THIS EQUIPMENT PROTECTED UNDER PRIMARY SINGLE-PHASE CONDITIONS.



**NOTES:**

- IF ODT-B IS NOT USED, ADD JUMPER BETWEEN W2 & W3 AT AIR HANDLER. IF USED, ODT-B MUST BE MOUNTED REMOTE OF CONTROL BOX IN AN APPROVED WEATHER PROOF ENCLOSURE.
- IF ODT-A IS NOT USED, ADD JUMPER BETWEEN W1 & W2 AT AIR HANDLER.
- LOW VOLTAGE (24 V.) FIELD WIRING MUST BE 18 AWG MIN.

<p><b>⚠ WARNING</b> HAZARDOUS VOLTAGE! DISCONNECT ALL ELECTRIC POWER INCLUDING REMOTE DISCONNECTS BEFORE SERVICING. FAILURE TO DISCONNECT POWER BEFORE SERVICING CAN CAUSE SEVERE PERSONAL INJURY OR DEATH!</p>	<p><b>⚠ CAUTION</b> USE COPPER CONDUCTORS ONLY! UNIT TERMINALS ARE NOT DESIGNED TO ACCEPT OTHER TYPES OF CONDUCTORS. FAILURE TO DO SO MAY CAUSE DAMAGE TO THE EQUIPMENT!</p>
---	--

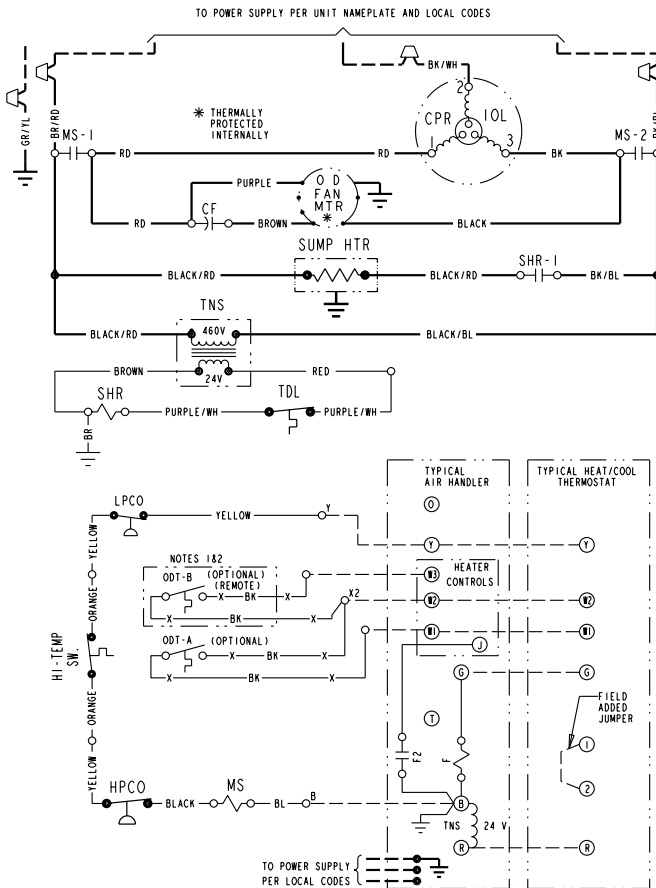
**NOTE**  
THREE PHASE MOTOR (S) FACTORY SUPPLIED IN THIS EQUIPMENT PROTECTED UNDER PRIMARY SINGLE-PHASE CONDITIONS.

# Electrical Data

## Schematic Diagrams

(SEE LEGEND)

### 2TTA3060A4000A



**NOTES:**

- IF ODT-B IS NOT USED, ADD JUMPER BETWEEN W2 & W3 AT AIR HANDLER. IF USED, ODT-B MUST BE MOUNTED REMOTE OF CONTROL BOX IN AN APPROVED WEATHER PROOF ENCLOSURE.
- IF ODT-A IS NOT USED, ADD JUMPER BETWEEN W1 & W2 AT AIR HANDLER.
- LOW VOLTAGE (24 V.) FIELD WIRING MUST BE 18 AWG MIN.

<p><b>⚠ WARNING</b> HAZARDOUS VOLTAGE! DISCONNECT ALL ELECTRIC POWER INCLUDING REMOTE DISCONNECTS BEFORE SERVICING. FAILURE TO DISCONNECT POWER BEFORE SERVICING CAN CAUSE SEVERE PERSONAL INJURY OR DEATH!</p>	<p><b>⚠ CAUTION</b> USE COPPER CONDUCTORS ONLY! UNIT TERMINALS ARE NOT DESIGNED TO ACCEPT OTHER TYPES OF CONDUCTORS. FAILURE TO DO SO MAY CAUSE DAMAGE TO THE EQUIPMENT!</p>
---	--

**NOTE**  
THREE PHASE MOTOR (S) FACTORY SUPPLIED IN THIS EQUIPMENT PROTECTED UNDER PRIMARY SINGLE-PHASE CONDITIONS.

## LEGEND

COLOR OF WIRE					
BK/BL	BLACK WIRE WITH BLUE MARKER				
COLOR OF MARKER					
BK	BLACK	OR	ORANGE	YL	YELLOW
BL	BLUE	RD	RED	GR	GREEN
BR	BROWN	WH	WHITE	PR	PURPLE

## SYMBOLS

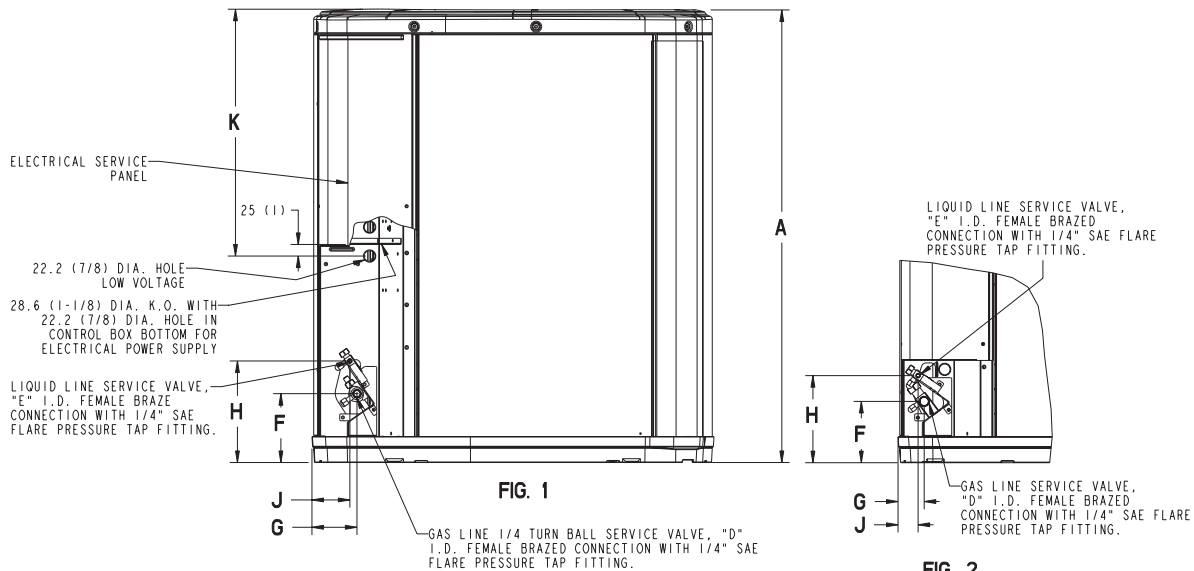
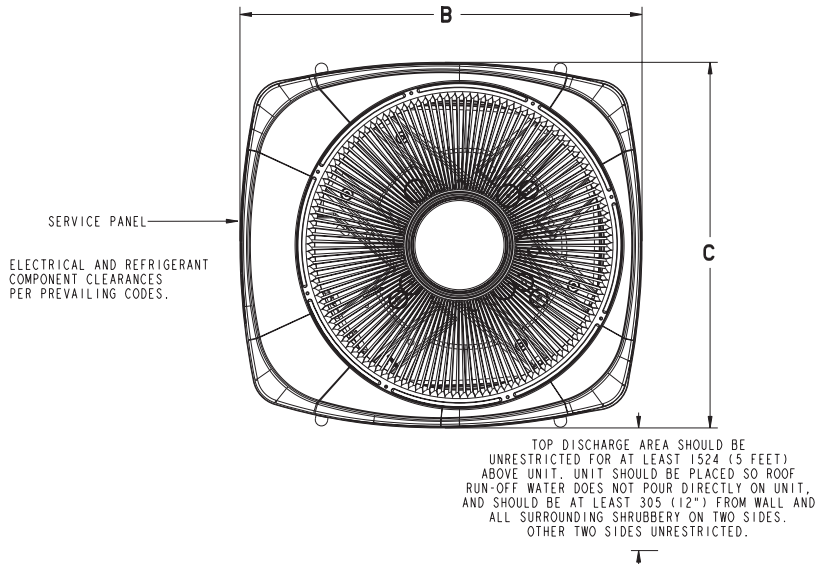
	24 V.	}	FACTORY WIRING
	LINE V.		
	24 V.	}	FIELD WIRING
	LINE V.		
	FIELD INSTALLED FACTORY WIRING		
	GROUND		
	JUNCTION		
	WIRE NUT OR CONNECTOR		
	COIL		
	CAPACITOR		
	RELAY CONTACT (N.O.)		
	RELAY CONTACT (N.C.)		
	THERMISTOR		
	INTERNAL OVERLOAD PROTECTOR		
	PRESSURE ACTUATED SWITCH		
	TEMP. ACTUATED SWITCH		
	POL. PLUG FEMALE HOUSING (MALE TERM.)		
	POL. PLUG MALE HOUSING (FEMALE TERM.)		
	RESISTOR OR HEATING ELEMENT		
	MOTOR WINDING		
	TERMINAL		

CA	COOLING ANTICIPATOR	LPCO	LOW PRESSURE CUTOFF SW.
CBS	COIL BOTTOM SENSOR	MS	COMPRESSOR MOTOR CONTACTOR
CF	FAN CAPACITOR	ODA	OUTDOOR ANTICIPATOR
CN	WIRE CONNECTOR	OFT	OUTDOOR FAN THERMOSTAT
CPR	COMPRESSOR	ODS	OUTDOOR TEMPERATURE SENSOR
CR	RUN CAPACITOR	ODT	OUTDOOR THERMOSTAT
CS	STARTING CAPACITOR	RHS	RESISTANCE HEAT SWITCH
CSR	CAPACITOR SWITCHING RELAY	SC	SWITCHOVER VALVE SOLENOID
DFC	DEFROST CONTROL	SHR	SUMP HEAT RELAY
F	INDOOR FAN RELAY	SM	SYSTEM "ON-OFF" SWITCH
HA	HEATING ANTICIPATOR	TDL	DISCHARGE LINE THERMOSTAT
HPCO	HIGH PRESSURE CUTOFF SW.	TNS	TRANSFORMER
IOL	INTERNAL OVERLOAD PROTECTOR	TSH	HEATING-COOLING THERMOSTAT

# Dimensions

## 2TTA3 Outline Drawing

NOTE: ALL DIMENSIONS ARE IN MM (INCHES)



MODELS	BASE	FIG.	A	B	C	D	E	F	G	H	J	K
2TTA3030A	3	2	832 (32-3/4)	829 (32-5/8)	756 (29-3/4)	3/4	5/16	137 (5-3/8)	86 (3-3/8)	210 (8-1/4)	79 (3-1/8)	508 (20)
2TTA3036A	3	2	832 (32-3/4)	829 (32-5/8)	756 (29-3/4)	7/8	3/8	137 (5-3/8)	86 (3-3/8)	210 (8-1/4)	79 (3-1/8)	508 (20)
2TTA3042A	4	1	841 (33-1/8)	946 (37-1/4)	870 (34-1/4)	7/8	3/8	152 (6)	98 (3-7/8)	219 (8-5/8)	86 (3-3/8)	508 (20)
2TTA3048A	4	1	1045 (41-1/8)	946 (37-1/4)	870 (34-1/4)	1-1/8	3/8	152 (6)	98 (3-7/8)	219 (8-5/8)	86 (3-3/8)	508 (20)
2TTA3060A	4	1	1045 (41-1/8)	946 (37-1/4)	870 (34-1/4)	1-1/8	3/8	152 (6)	98 (3-7/8)	219 (8-5/8)	86 (3-3/8)	508 (20)

From Dwg. 21D153074 Rev. 10

# Mechanical Specification Options

---

## General

The 2TTA3 shall be fully charged from the factory for matched indoor section and up to 15 feet of piping. This unit must be designed to operate at outdoor ambient temperatures as high as 115°F. Cooling capacities shall be matched with a wide selection of air handlers and furnace coils that are ARI certified. The unit shall be UL listed. Exterior must be designed for outdoor application.

## Casing

Unit casing is constructed of heavy gauge, galvanized steel and painted with a weather-resistant powder paint. Corrosion and weatherproof CMBP-G30 DuraTuff™ base.

## Refrigerant Controls

Refrigeration system controls include condenser fan and compressor contactor. High and low pressure controls are inherent to the compressor. Another standard feature is the liquid line dryer.

## Compressor

The Climatuff<sup>®</sup> compressor features internal over temperature and pressure protector, total dipped hermetic motor and thermostatically controlled sump heater. Other features include: roto lock suction and discharge refrigeration connections, centrifugal oil pump, and low vibration and noise. The Climatuff<sup>®</sup> compressor is standard with a 5 year limited warranty.

## Condenser Coil

The Spine Fin™ coil shall be continuously wrapped, corrosion resistant all aluminum with minimum brazed joints. This coil is 3/8 inch O.D. seamless aluminum glued to a continuous aluminum fin. Coils are lab tested to withstand 2,000 pounds of pressure per square inch. The outdoor coil provides low airflow resistance and efficient heat transfer. The coil is protected on all four sides by louvered panels and has a 5 year limited warranty.

## Low Ambient Cooling

As manufactured, this unit has a cooling capability to 55°F. The addition of an evaporator defrost control with TXV permits low ambient cooling to 30°F.

## Accessories

**Thermostats** — Heating/Cooling (manual and automatic changeover). Sub-base to match thermostat and locking thermostat cover.

**Evaporator Defrost Control** — See Low Ambient Cooling.

**Outdoor Thermostat** — Supplemental heat outdoor ambient lockout from 46 to -10°F.



Trane  
A business of  
American Standard Companies  
[www.trane.com](http://www.trane.com)

---

Literature Order Number	SS-PRC023-EN	P.I.
File Number	PL-UN-2TTA-SSC-PRC-EN	12/05
Supersedes	New	
Stocking Location	Electronic Only	

---

*Trane has a policy of continuous product and product data improvement and it reserves the right to change design and specifications without notice.*



## Free Manuals Download Website

<http://myh66.com>

<http://usermanuals.us>

<http://www.somanuals.com>

<http://www.4manuals.cc>

<http://www.manual-lib.com>

<http://www.404manual.com>

<http://www.luxmanual.com>

<http://aubethermostatmanual.com>

Golf course search by state

<http://golfingnear.com>

Email search by domain

<http://emailbydomain.com>

Auto manuals search

<http://auto.somanuals.com>

TV manuals search

<http://tv.somanuals.com>