

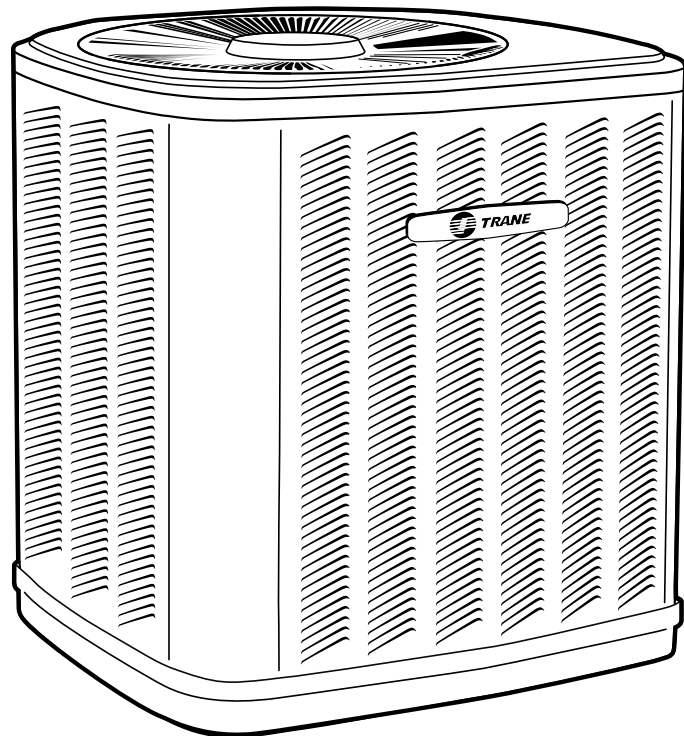


TRANE®

Split System Heat Pump Product & Performance Data

XB 13
2TWB3018-060

1½ – 5 Tons



PUB. NO. 22-1771-04



Features and Benefits

- **Climatuff**® compressor
- All aluminum **Spine Fin**™ coil
- **DuraTuff**™ base, fast complete drain, weather proof
- Polyslate gray cabinet high gloss with fan motor cover
- **Quick-Sess**™ cabinet, easy service access and refrigerant connections with full coil protection
- Corrosion resistant finish and fasteners
- Internal high/low pressure and temperature protection
- Liquid line filter-drier
- Easy single side service
- Compressor sump heat all models
- Demand Defrost Control
- Easy top & fan removal
- R-22 refrigerant (**Not Factory Supplied**)
- 100% line run test
- Low ambient cooling to 55°F as shipped
- Low ambient cooling to 40°F with EDC accessory AY28X084
- Low ambient cooling to 30°F with EDC accessory AY28X084 and TXV
- **Extended warranties available**

Contents

Features and Benefits	2
General Data	4
Product Specifications	4
A-weighted Sound Power Level [dB(A)]	4
Accessory Description and Usage	5
AHRI Standard Capacity Rating Conditions	5
Model Nomenclature	6
Electrical Data	7
Dimensions	9
Mechanical Specification Options	10



General Data

Product Specifications

Model No. ①	2TWB3018A1	2TWB3024A1	2TWB3030A1	2TWB3036A1
Electrical Data V/Ph/Hz ②	200/230/1/60	200/230/1/60	200/230/1/60	200/230/1/60
Min Cir Ampacity	8	12	13	19
Max Fuse Size (Amps)	15	20	20	30
Compressor	CLIMATUFF®	CLIMATUFF®	CLIMATUFF®	CLIMATUFF®
RL Amps - LR Amps	5.9 - 38.6	8.7 - 57.8	9.5 - 63	14.1 - 90.8
Outdoor Fan FL Amps	0.6	1.3	0.9	1.4
Fan HP	1/15	1/4	1/8	1/6
Fan Dia (inches)	19.0	19.0	23.0	27.6
Coil	Spine Fin™	Spine Fin™	Spine Fin™	Spine Fin™
Refrigerant R-22 (Not Factory Supplied)	5/10-LB/OZ	5/11-LB/OZ	6/07-LB/OZ	7/06-LB/OZ
Line Size - (in.) O.D. Gas ③	5/8	3/4	3/4	7/8
Line Size - (in.) O.D. Liquid ③	1/4	5/16	5/16	3/8
Dimensions H x W x D (Crated)	37.2 x 26.7 x 30	37.2 x 26.7 x 30	42 x 30.1 x 33	42.4 x 35.1 x 38.7
Weight - Shipping	202	205	240	291
Weight - Net	182	184	212	256
Start Components	YES	YES	YES	YES
Sound Enclosure	NO	NO	NO	YES
Compressor Sump Heat	YES	YES	YES	YES
Optional Accessories: ④				
Anti-short Cycle Timer	TAYASCT501A	TAYASCT501A	TAYASCT501A	TAYASCT501A
Evaporator Defrost Control A/C	AY28X084	AY28X084	AY28X084	AY28X084
Rubber Isolator Kit	BAYISLT101	BAYISLT101	BAYISLT101	BAYISLT101
Snow Leg-Base & Cap 4" High	BAYLEGS002	BAYLEGS002	BAYLEGS002	BAYLEGS002
Snow Leg-4" Extension	BAYLEGS003	BAYLEGS003	BAYLEGS003	BAYLEGS003
Extreme Condition Mounting Kit	BAYECMT023	BAYECMT023	BAYECMT023	BAYECMT004
Refrigerant Lineset ⑤	TAYREFLN1*	TAYREFLN2*	TAYREFLN2*	TAYREFLN3*

① Certified in accordance with the Air-Source Unitary Heat Pump equipment certification program which is based on AHRI Standard 210/240.

② Calculated in accordance with N.E.C. Use only HACR circuit breakers or fuses.

③ Standard line lengths - 60', Standard lift - 60' Suction and Liquid line.

For Greater lengths and lifts refer to refrigerant piping software Pub# 32-3312-01. (*denotes latest revision)

④ For accessory description and usage, see page 5.

⑤ * = 15, 20, 25, 30, 40 and 50 foot lineset available.

A-weighted Sound Power Level [dB(A)]

MODEL	SOUND POWER LEVEL [dB(A)]	A-WEIGHTED FULL OCTAVE SOUND POWER LEVEL dB - [dB(A)]							
		63	125	250	500	1000	2000	4000	8000
2TWB3018A1	74	43.5	52.1	57.0	65.5	67.3	66.8	62.1	55.4
2TWB3024A1	79	51.3	56.1	61.7	71.5	73.1	71.8	64.3	55.8
2TWB3030A1	79	43.8	58.8	62.2	69.2	72.1	71.4	62.5	56.8
2TWB3036A1	79	47.1	60.4	67.8	73.5	73.7	71.6	63.8	51.4
2TWB3042A1	80	48.6	59.9	66.9	73.0	75.2	70.3	64.4	55.2
2TWB3048A1	78	45.4	58.8	66.1	72.5	72.5	69.8	63.0	52.5
2TWB3060A1	79	46.7	55.2	66.5	73.5	73.8	71.8	65.8	56.7

Note: Tested in accordance with AHRI Standard 270.95. (Not listed with AHRI)

General Data

Product Specifications

Model No. ①	2TWB3042A1	2TWB3048A1	2TWB3060A1
Electrical Data V/Ph/Hz ②	200/230/1/60	200/230/1/60	208/230/1/60
Min Cir Ampacity	21	25	32
Max Fuse Size (Amps)	35	40	50
Compressor	CLIMATUFF®	CLIMATUFF®	CLIMATUFF® - SCROLL
RL Amps - LR Amps	15.4 - 93.5	18.6 - 93.4	25.0 - 148
Outdoor Fan FL Amps	1.4	1.4	1.2
Fan HP	1/6	1/5	1/5
Fan Dia (inches)	27.6	27.6	27.6
Coil	Spine Fin™	Spine Fin™	Spine Fin™
Refrigerant R-22 (Not Factory Supplied)	9/09-LB/OZ	9/09-LB/OZ	9/08-LB/OZ
Line Size - (in.) O.D. Gas ③	7/8	1-1/8	1-1/8
Line Size - (in.) O.D. Liquid ③	3/8	3/8	3/8
Dimensions H x W x D (Crated)	46.4 x 35.1 x 38.7	46.4 x 35.1 x 38.7	46.4 x 35.1 x 38.7
Weight - Shipping	308	312	291
Weight - Net	272	276	255
Start Components	YES	YES	NO
Sound Enclosure	YES	YES	NO
Compressor Sump Heat	YES	YES	YES
Optional Accessories: ④			
Anti-short Cycle Timer	TAYASCT501A	TAYASCT501A	TAYASCT501A
Evaporator Defrost Control A/C	AY28X084	AY28X084	AY28X084
Rubber Isolator Kit	BAYISLT101	BAYISLT101	BAYISLT101
Snow Leg-Base & Cap 4" High	BAYLEGS002	BAYLEGS002	BAYLEGS002
Snow Leg-4" Extension	BAYLEGS003	BAYLEGS003	BAYLEGS003
Extreme Condition Mounting Kit	BAYECMT004	BAYECMT004	BAYECMT004
Refrigerant Lineset ⑤	TAYREFLN3*	TAYREFLN4*	TAYREFLN4*

Accessory Description and Usage

Anti-Short Cycle Timer — Solid state timing device that prevents compressor recycling until 5 minutes have elapsed after satisfying call or power interruptions. Use in area with questionable power delivery, commercial applications, long lineset, etc.

Evaporator Defrost Control — SPST Temperature actuated switch that cycles the condenser off as indoor coil reaches freeze-up conditions. Used for low ambient cooling to 30°F with TXV.

Rubber Isolators — 5 large rubber donuts to isolate condensing unit from transmitting energy into mounting frame or pad. Use on any application where sound transmission needs to be minimized.

Hard Start kit — Start capacitor and relay to assist compressor motor startup. Use in areas with marginal power supply, on long linesets, low ambient conditions, etc.

Extreme Condition Mount Kit — Bracket kits to securely mount condensing unit to a frame or pad without removing any panels. Use in areas with high winds, or on commercial roof tops, etc.

AHRI Standard Capacity Rating Conditions

AHRI STANDARD 210/240 RATING CONDITIONS —

- (A) Cooling 80°F DB, 67°F WB air entering indoor coil, 95°F DB air entering outdoor coil.
- (B) High Temperature Heating 47°F DB, 43°F WB air entering outdoor coil, 70°F DB air entering indoor coil.
- (C) Low Temperature Heating 17°F DB, 15°F WB air entering outdoor coil, 70°F DB air entering indoor coil.
- (D) Rated indoor airflow for heating is the same as for cooling.

AHRI STANDARD 270 RATING CONDITIONS — (Noise rating numbers are determined with the unit in cooling operation.) Standard Noise Rating number is at 95°F outdoor air.



SPLIT SYSTEM



Model Nomenclature

Outdoor Units

2 T W B 3 0 3 6 A 1 0 0 0 A

- Refrigerant Type**
 - 2 = R-22
 - 4 = R-410A
- TRANE**
- Product Type**
 - W = Split Heat Pump
 - T = Split Cooling
- Product Family**
 - Z = Leadership – Two Stage
 - X = Leadership
 - R = Replacement/Retail
 - B = Basic
 - A = Light Commercial
- Family SEER**
 - 0 = 10 3 = 13 6 = 16
 - 1 = 11 4 = 14 8 = 18
 - 2 = 12 5 = 15 9 = 19
- Split System Connections 1-6 Tons**
 - 0 = Brazed
- Nominal Capacity in 000s of BTUs**
- Major Design Modifications**
- Power Supply**
 - 1 = 200-230/1/60 or 208-230/1/60
 - 3 = 200-230/3/60
 - 4 = 460/3/60
- Secondary Function**
- Minor Design Modifications**
- Unit Parts Identifier**

High Efficiency Furnaces

T U D 1 B 0 8 0 A 9 H 3 1 A A

- Furnace Configuration**
 - TU = Upflow / Horizontal
 - TD = Downflow / Horizontal
- Type**
 - D = 80% Premium
 - X = 90% Premium
- Number of Heating Stages**
 - 1 = Single Stage
 - 2 = Two Stage
 - 3 = Three Stage
- Cabinet Width**
 - A = 14.5" Cabinet Width
 - B = 17.5" Cabinet Width
 - C = 21.0" Cabinet Width
 - D = 24.5" Cabinet Width
- Heating Input**
 - 080 = 80,000 BTUH
- Major Design Change**
- Power Supply / Fuel**
 - 9 = 115 Volts / Natural Gas
 - F = 115 Volts / Natural Gas with Integrated iFD Filter
- Airflow Capacity for Cooling**
 - 36 = 3 Ton Standard PSC Motor
 - H3 = 3 Ton High Efficiency Motor
 - V3 = 3 Ton Variable Speed Motor
- Draft Inducer Speeds**
 - 1 = Single Speed
 - 2 = Two Speed
 - V = Variable Speed
- Minor Design Change**
- Service Digit – Not Orderable**

Air Handlers – Residential

4 T E E 3 F 3 6 A 1 0 0 0 A

- Refrigerant Type**
 - 4 = R-410A
 - 2 = R-22
- Application**
 - TE = Fully Convertible
 - TG = Semi Convertible
 - TF = Front Return
 - TV = Vertical
- Product Family**
 - E = Leadership – Variable Speed
 - P = Leadership
 - C = Replacement/Retail
 - B = Basic
- Flow Control**
 - 3 = Nonbleed TXV
 - 4 = FCCV*
- Feature Identifier**
 - 0 = Standard Unit
 - F = Air-Tite™
- Nominal Capacity in 000s of BTUs**
- Major Design Modifications**
- Power Supply**
 - 1 = Single Phase
- Electrical Connection**
 - 0 = Pig Tails
 - B = Circuit Breaker
 - D = Pull Disconnect
- Future Option – Factory Installed Heater Nominal KW Value**
- Minor Design Modifications**
- Unit Parts Identifier**

NOTE: There will be a phase-in of new model numbers for new air handlers over next 2 years.

*Shipped with R-22 FCCV

Heat Pump / Cooling Coils

2 T X C B 0 3 6 A C 3 H C A A

- Refrigerant Type**
 - 2 = R-22
 - 4 = R-410A
- Product Family**
 - T = Premium (Heat Pump or Convertible Coil)
 - C = Standard (Cooling Only)
- Coil Design**
 - X = Direct Expansion Evaporator Coil
- Product Family**
 - C = Cased A Coil
 - A = Uncased A Coil
 - F = Cased Horizontal Flat Coil
- Coil Width (Cased / Uncased)**
 - A = 14.5" / 13.3" C = 21.0" / 19.8" H = 10.5"
 - B = 17.5" / 16.3" D = 24.5" / 23.3"
- Refrigerant Line Coupling**
 - 0 = Brazed
- Nominal Capacity in 000s of BTUs**
- Major Design Change**
- Efficiency**
 - C = Standard
 - S = Hi Efficiency
- Refrigerant Control**
 - 3 = TXV – Non-Bleed
- Coil Circuitry**
 - H = Heat Pump
 - C = Cooling Only
- Airflow Configuration**
 - A = Upflow Only
 - U = Upflow / Downflow
 - H = Horizontal Only
 - C = Convertible – Upflow, Downflow, Left Airflow
 - M = Convertible – Upflow, Downflow, Left or Right Airflow
- Minor Design Change**
- Unit Parts Identifier**

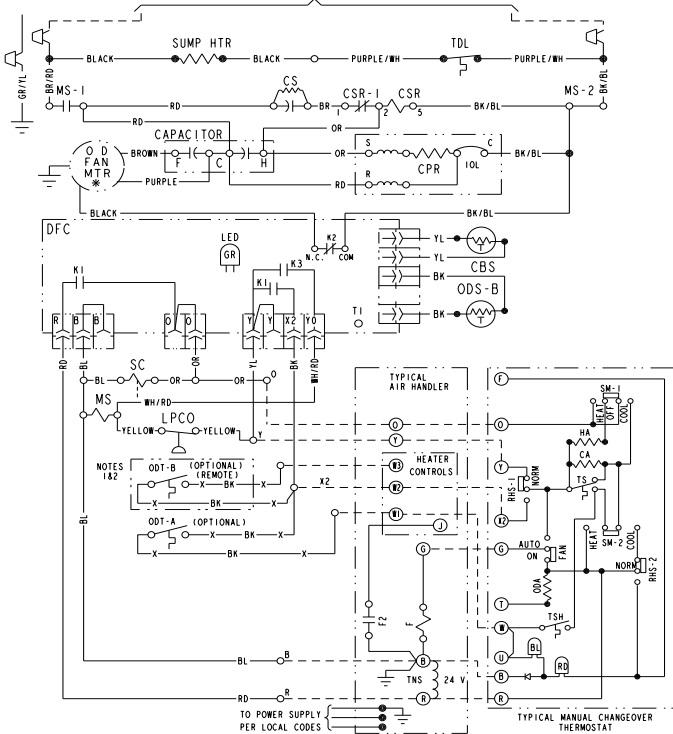
Electrical Data

Schematic Diagrams

(SEE LEGEND)

2TWB3018,024,030,036,042A

TO POWER SUPPLY PER UNIT NAMEPLATE AND LOCAL CODES



NOTES:

- IF ODT-B IS NOT USED, ADD JUMPER BETWEEN W2 & W3 AT AIR HANDLER.
IF USED, ODT-B MUST BE MOUNTED REMOTE OF CONTROL BOX IN AN APPROVED WEATHER PROOF ENCLOSURE.
- IF ODT-A IS NOT USED, ADD JUMPER BETWEEN W1 & W2 AT AIR HANDLER.
- LOW VOLTAGE (24 V.) FIELD WIRING MUST BE 18 AWG MIN.

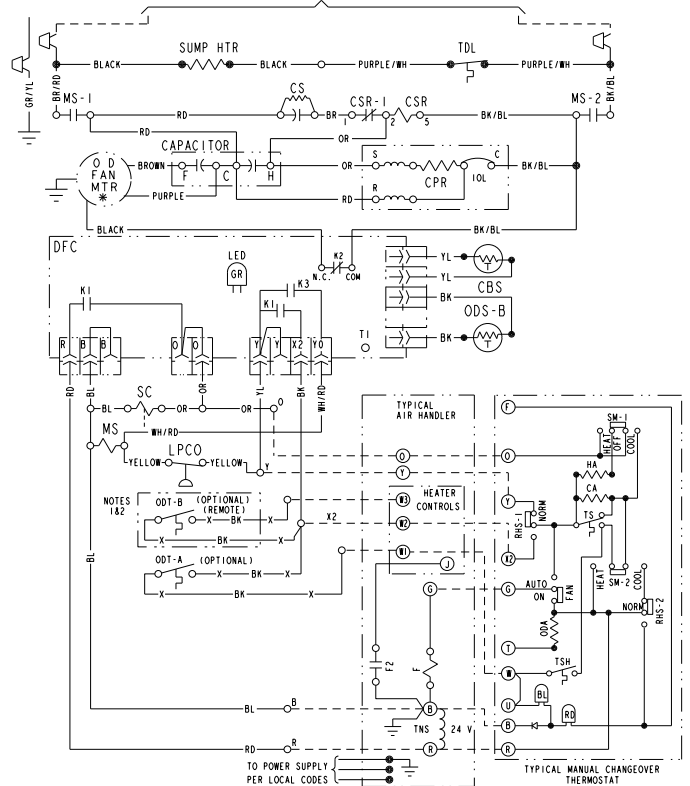
<p>⚠ WARNING HAZARDOUS VOLTAGE! DISCONNECT ALL ELECTRIC POWER INCLUDING REMOTE DISCONNECTS BEFORE SERVICING. FAILURE TO DISCONNECT POWER BEFORE SERVICING CAN CAUSE SEVERE PERSONAL INJURY OR DEATH!</p>	<p>⚠ CAUTION USE COPPER CONDUCTORS ONLY! UNIT TERMINALS ARE NOT DESIGNED TO ACCEPT OTHER TYPES OF CONDUCTORS. FAILURE TO DO SO MAY CAUSE DAMAGE TO THE EQUIPMENT!</p>
---	--

FOR CANADIAN INSTALLATIONS
POUR INSTALLATIONS CANADIENNES
CAUTION: NOT SUITABLE FOR USE ON SYSTEMS EXCEEDING 150V-TO-GROUND.
ATTENTION: NE CONVIENT PAS AUX INSTALLATIONS DE PLUS DE 150 V A LA TERRE.

Printed from D155595P01

2TWB3048A

TO POWER SUPPLY PER UNIT NAMEPLATE AND LOCAL CODES



NOTES:

- IF ODT-B IS NOT USED, ADD JUMPER BETWEEN W2 & W3 AT AIR HANDLER.
IF USED, ODT-B MUST BE MOUNTED REMOTE OF CONTROL BOX IN AN APPROVED WEATHER PROOF ENCLOSURE.
- IF ODT-A IS NOT USED, ADD JUMPER BETWEEN W1 & W2 AT AIR HANDLER.
- LOW VOLTAGE (24 V.) FIELD WIRING MUST BE 18 AWG MIN.

<p>⚠ WARNING HAZARDOUS VOLTAGE! DISCONNECT ALL ELECTRIC POWER INCLUDING REMOTE DISCONNECTS BEFORE SERVICING. FAILURE TO DISCONNECT POWER BEFORE SERVICING CAN CAUSE SEVERE PERSONAL INJURY OR DEATH!</p>	<p>⚠ CAUTION USE COPPER CONDUCTORS ONLY! UNIT TERMINALS ARE NOT DESIGNED TO ACCEPT OTHER TYPES OF CONDUCTORS. FAILURE TO DO SO MAY CAUSE DAMAGE TO THE EQUIPMENT!</p>
---	--

FOR CANADIAN INSTALLATIONS
POUR INSTALLATIONS CANADIENNES
CAUTION: NOT SUITABLE FOR USE ON SYSTEMS EXCEEDING 150V-TO-GROUND.
ATTENTION: NE CONVIENT PAS AUX INSTALLATIONS DE PLUS DE 150 V A LA TERRE.

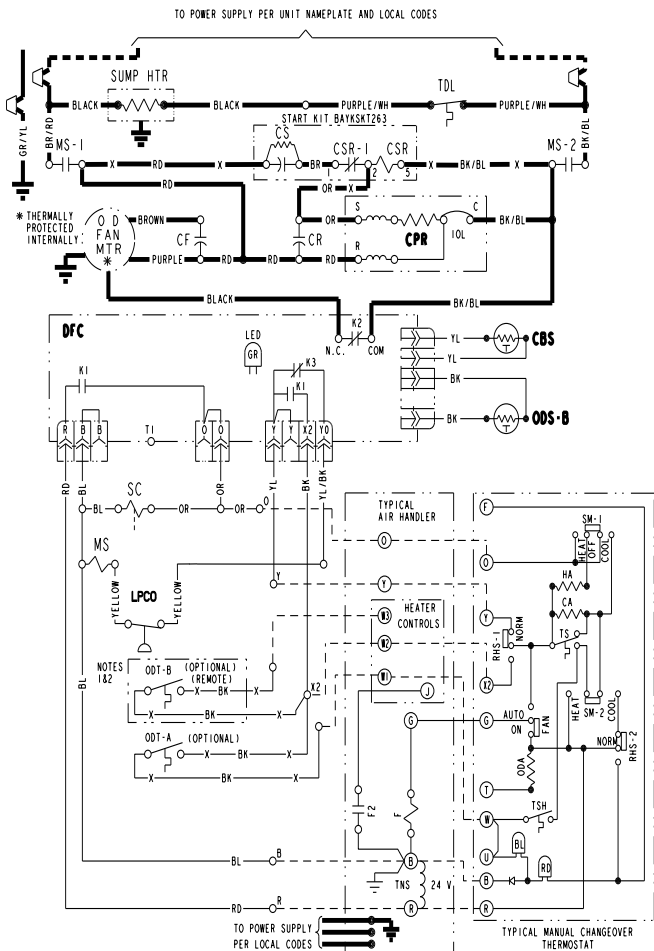
Printed from D155596P01



Electrical Data

Schematic Diagrams

2TWB3060A



LEGEND

COLOR OF WIRE		
BK/BL	BLACK WIRE WITH BLUE MARKER	
COLOR OF MARKER		
BK	BLACK	OR ORANGE
BL	BLUE	RD RED
BR	BROWN	WH WHITE
		YL YELLOW
		GR GREEN
		PR PURPLE

SYMBOLS

—	24 V.	} FACTORY WIRING
—	LINE V.	
- - -	24 V.	} FIELD WIRING
- - -	LINE V.	
-X-	FIELD INSTALLED FACTORY WIRING	
⊥	GROUND	
•	JUNCTION	
⊕	WIRE NUT OR CONNECTOR	
⌒	COIL	
⊥	CAPACITOR	
⊥	RELAY CONTACT (N.O.)	
⊥	RELAY CONTACT (N.C.)	
⊕	THERMISTOR	
⊕	INTERNAL OVERLOAD PROTECTOR	
⊕	PRESSURE ACTUATED SWITCH	
⊕	TEMP. ACTUATED SWITCH	
⊕	POL. PLUG FEMALE HOUSING (MALE TERM.)	
⊕	POL. PLUG MALE HOUSING (FEMALE TERM.)	
⊕	RESISTOR OR HEATING ELEMENT	
⊕	MOTOR WINDING	
○	TERMINAL	

- | | |
|---------------------------------|--------------------------------|
| CA COOLING ANTICIPATOR | LPCO LOW PRESSURE CUTOUT SW. |
| CBS COIL BOTTOM SENSOR | MS COMPRESSOR MOTOR CONTACTOR |
| CF FAN CAPACITOR | ODA OUTDOOR ANTICIPATOR |
| CN WIRE CONNECTOR | OFT OUTDOOR FAN THERMOSTAT |
| CPR COMPRESSOR | ODS OUTDOOR TEMPERATURE SENSOR |
| CR RUN CAPACITOR | ODT OUTDOOR THERMOSTAT |
| CS STARTING CAPACITOR | RHS RESISTANCE HEAT SWITCH |
| CSR CAPACITOR SWITCHING RELAY | SC SWITCHOVER VALVE SOLENOID |
| DFC DEFOST CONTROL | SM SYSTEM "ON-OFF" SWITCH |
| F INDOOR FAN RELAY | TDL DISCHARGE LINE THERMOSTAT |
| HA HEATING ANTICIPATOR | TNS TRANSFORMER |
| HPCO HIGH PRESSURE CUTOUT SW. | TS HEATING-COOLING THERMOSTAT |
| IOL INTERNAL OVERLOAD PROTECTOR | TSH HEATING THERMOSTAT |

- NOTES:
- IF ODT-B IS NOT USED, ADD JUMPER BETWEEN W2 & W3 AT AIR HANDLER.
 - IF ODT-A IS NOT USED, ADD JUMPER BETWEEN W1 & W2 AT AIR HANDLER.
 - LOW VOLTAGE (24 V.) FIELD WIRING MUST BE 18 AWG MIN.

FOR CANADIAN INSTALLATIONS
POUR INSTALLATIONS CANADIENNES

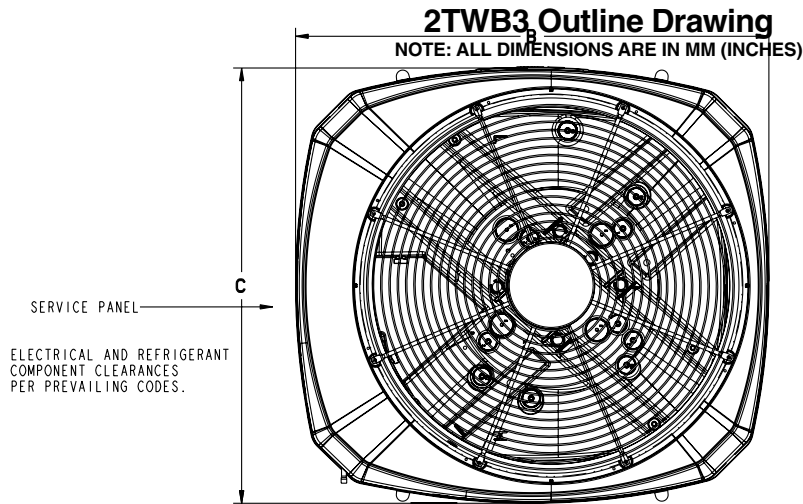
CAUTION: NOT SUITABLE FOR USE ON SYSTEMS EXCEEDING 150V-TO-GROUND.
ATTENTION: NE CONVIENT PAS AUX INSTALLATIONS DE PLUS DE 150 V A LA TERRE.

⚠ WARNING	⚠ CAUTION
HAZARDOUS VOLTAGE!	USE COPPER CONDUCTORS ONLY!
DISCONNECT ALL ELECTRIC POWER INCLUDING REMOTE DISCONNECTS BEFORE SERVICING.	UNIT TERMINALS ARE NOT DESIGNED TO ACCEPT OTHER TYPES OF CONDUCTORS.
FAILURE TO DISCONNECT POWER BEFORE SERVICING CAN CAUSE SEVERE PERSONAL INJURY OR DEATH!	FAILURE TO DO SO MAY CAUSE DAMAGE TO THE EQUIPMENT!

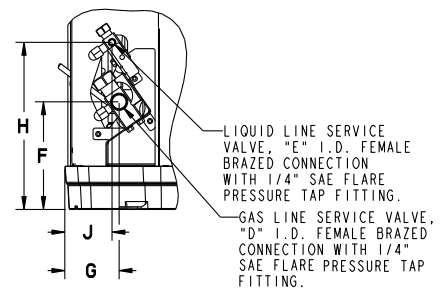
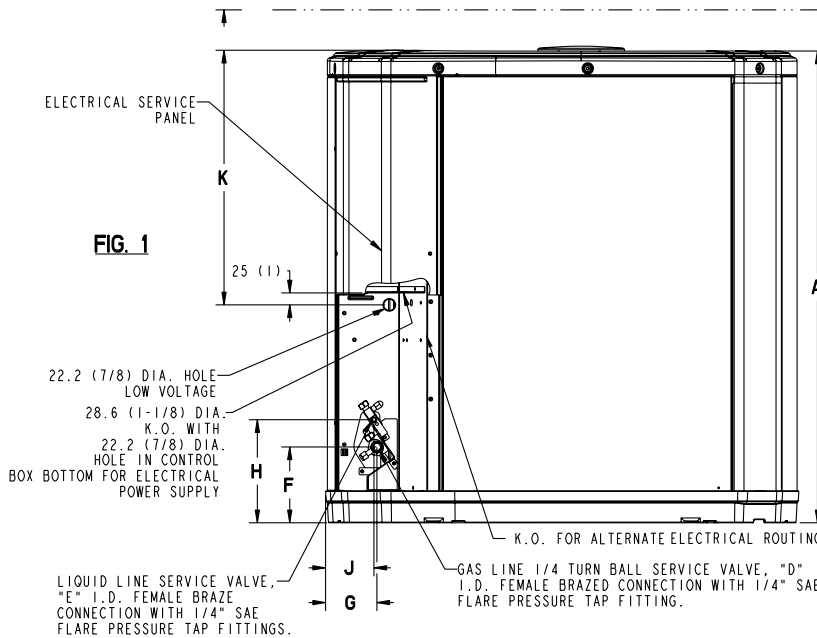
- | | |
|---------------------------------|--------------------------------|
| CA COOLING ANTICIPATOR | LPCO LOW PRESSURE CUTOUT SW. |
| CBS COIL BOTTOM SENSOR | MS COMPRESSOR MOTOR CONTACTOR |
| CF FAN CAPACITOR | ODA OUTDOOR ANTICIPATOR |
| CN WIRE CONNECTOR | OFT OUTDOOR FAN THERMOSTAT |
| CPR COMPRESSOR | ODS OUTDOOR TEMPERATURE SENSOR |
| CR RUN CAPACITOR | ODT OUTDOOR THERMOSTAT |
| CS STARTING CAPACITOR | RHS RESISTANCE HEAT SWITCH |
| CSR CAPACITOR SWITCHING RELAY | SC SWITCHOVER VALVE SOLENOID |
| DFC DEFOST CONTROL | SM SYSTEM "ON-OFF" SWITCH |
| F INDOOR FAN RELAY | TDL DISCHARGE LINE THERMOSTAT |
| HA HEATING ANTICIPATOR | TNS TRANSFORMER |
| HPCO HIGH PRESSURE CUTOUT SW. | TS HEATING-COOLING THERMOSTAT |
| IOL INTERNAL OVERLOAD PROTECTOR | TSH HEATING THERMOSTAT |

COLOR OF WIRE		
BK/BL	BLACK WIRE WITH BLUE MARKER	
COLOR OF MARKER		
BK	BLACK	OR ORANGE
BL	BLUE	RD RED
BR	BROWN	WH WHITE
		YL YELLOW
		GR GREEN
		PR PURPLE

Dimensions



TOP DISCHARGE AREA SHOULD BE UNRESTRICTED FOR AT LEAST 1524 (5 FEET) ABOVE UNIT. UNIT SHOULD BE PLACED SO ROOF RUN-OFF WATER DOES NOT POUR DIRECTLY ON UNIT, AND SHOULD BE AT LEAST 305 (12") FROM WALL AND ALL SURROUNDING SHRUBBERY ON TWO SIDES. OTHER TWO SIDES UNRESTRICTED.



MODELS	BASE	FIG.	A	B	C	D	E	F	G	H	J	K
2TWB3018A	2	2	832 (32-3/4)	724 (28-1/2)	651 (25-5/8)	5/8	1/4	127 (5)	57 (2-1/4)	181 (7-1/8)	44 (1-3/4)	457 (18)
2TWB3024A	2	1	832 (32-3/4)	724 (28-1/2)	651 (25-5/8)	3/4	5/16	137 (5-3/8)	65 (2-5/8)	210 (8-1/4)	57 (2-1/4)	457 (18)
2TWB3030A	3	1	933 (36-3/4)	829 (32-5/8)	756 (29-3/4)	3/4	5/16	143 (5-5/8)	92 (3-5/8)	210 (8-1/4)	79 (3-1/8)	508 (20)
2TWB3036A	4	1	943 (37-1/8)	946 (37-1/4)	870 (34-1/4)	7/8	3/8	152 (6)	98 (3-7/8)	219 (8-5/8)	86 (3-3/8)	508 (20)
2TWB3042A	4	1	1045 (41-1/8)	946 (37-1/4)	870 (34-1/4)	7/8	3/8	152 (6)	98 (3-7/8)	219 (8-5/8)	86 (3-3/8)	508 (20)
2TWB3048A	4	1	1045 (41-1/8)	946 (37-1/4)	870 (34-1/4)	1-1/8	3/8	152 (6)	98 (3-7/8)	219 (8-5/8)	86 (3-3/8)	508 (20)
2TWB3060A	4	1	1045 (41-1/8)	946 (37-1/4)	870 (34-1/4)	1-1/8	3/8	152 (6)	98 (3-7/8)	219 (8-5/8)	86 (3-3/8)	508 (20)



Mechanical Specification Options

General

The 2TWB3 is designed to operate at outdoor ambient temperatures as high as 115°F. Cooling capacities are matched with a wide selection of air handlers and furnace coils that are AHRI certified. The unit is certified to UL 1995. Exterior is designed for outdoor application.

Casing

Unit casing is constructed of heavy gauge, G90 galvanized steel and painted with a weather-resistant powder paint on all louvers, panels, prepaint on all other panels. Corrosion and weatherproof CMBP-G30 DuraTuff™ base.

Refrigerant Controls

Refrigeration system controls include condenser fan, compressor contactor and low pressure switch. High and low pressure controls are inherent to the compressor. A factory installed liquid line drier is standard.

Compressor

The Climatuff® compressor features internal over temperature and pressure protection and total dipped hermetic motor. Other features include: roto lock suction and discharge refrigerant connections, centrifugal oil pump and low vibration and noise.

Condenser Coil

The outdoor coil provides low airflow resistance and efficient heat transfer. The coil is protected on all four sides by louvered panels.

Low Ambient Cooling

As manufactured, this unit has a cooling capability to 55°F. The addition of an evaporator defrost control permits operation to 40° F. The addition of an evaporator defrost control with TXV permits low ambient cooling to 30° F.

Accessories

Thermostats — Cooling only and heat/cooling (manual and automatic changeover). Sub-base to match thermostat and locking thermostat cover.

Evaporator Defrost Control — See Low Ambient Cooling.



Trane
www.trane.com

01/11

Trane has a policy of continuous product and product data improvement and it reserves the right to change design and specifications without notice.

Free Manuals Download Website

<http://myh66.com>

<http://usermanuals.us>

<http://www.somanuals.com>

<http://www.4manuals.cc>

<http://www.manual-lib.com>

<http://www.404manual.com>

<http://www.luxmanual.com>

<http://aubethermostatmanual.com>

Golf course search by state

<http://golfingnear.com>

Email search by domain

<http://emailbydomain.com>

Auto manuals search

<http://auto.somanuals.com>

TV manuals search

<http://tv.somanuals.com>