



Insight™

Ducted Air Handler

Cooling Only Split System Air Conditioning
30 to 50 MBh - 50 Hz



Air Handler Models

TWE030C
TWE040C
TWE050C

Condensing Models

TTB524-536C
TTA030-060C

TWE5-PRC000-EN
April 1999



Table of Contents

Features and Benefits	3
System Performance	4
Model Nomenclature	5
Product Data	
TWE	6
TTB	7
TTA	9
Performance Data	
TTB/TWE	10
TTA/TWE	14
Supplementary Heaters	23
System Wiring Diagram	24
Dimensional Data	25
Mechanical Specifications	29

Features and Benefits



TWE

AIR HANDLING UNITS

Features

- Ships horizontal
- Six way convertibility- horizontal (left and right), upflow, downflow (front and rear access)
- Electrical, refrigerant, condensate and blower access convertible to either side
- Corrosion resistant galvanized steel with attractive finish
- Internally enhanced finned coil tubes
- Direct drive motor
- Standard filters
- Multi-speed blower
- 220 volt primary and 24 volt secondary transformer
- Insulated cabinet
- External access to heater circuit breakers
- Start kits are not required
- Built-in indoor fan delay function for increased efficiency. No kit required.

New Features

- Improved filter access and latch - Eliminate current T-bar and shipping bracket.
- Provision for 1 1/8" thick field supplied electrostatic filter
- Reversible Duct Flanges - Fits up to 1 1/2" duct board
- Improve controls access with control box mounted next to blower.
- 40 VA transformer with 5 amp automotive style fuse on 3 tons and less
- 5 Amp automotive style fuse replaces Bussman "red cap" fuse on 3.5 to 5 ton models
- Blower mounting brackets improved - Front access to screw with power driver
- Improved bottom carton cushioning
- 1" thick foil faced insulation for all models



TTB



TTA

CONDENSING UNITS

Features:

- Vertical Air Discharge
- High Efficiency TRANE Climatuff® Compressor
- Powder Paint finish
- Brazed or flare connections

Benefits:

- Flexibility in application
- Quality and reliability
- Uniform covering for a smooth, attractive and corrosion-resistant finish



System Performance

Outdoor Unit	Indoor Unit	*MBh	95° F Indoor		CMH
			kW	CFM	
Ducted Air Handlers					
TTB524CA00A	TWE030CA40B	25.8	6.9	900	1520
TTB530CA00A	TWE030CA40C	30.8	8.4	1000	1689
TTB530CA00A	TWE040CA40C	32.4	9.5	1200	2038
TTB536CA00A	TWE040CA40C	39.0	10.1	1200	2038
TTA030CD00A†	TWE030CA40B	30.5	8.9	1000	1689
TTA030CD00A†	TWE040CA40C	32.5	9.4	1125	1900
TTA040CD00A†	TWE040CA40C	41.0	12.0	1325	2238
TTA040CD00A†	TWE050CA50D	43.9	12.8	1600	2703
TTA050CD00A†	TWE050CA50D	52.7	15.4	1800	3040
TTA060CD00A†	TWE050CA50D	62.8	18.4	1800	3040

†Outdoor: 380-415/50/3, Indoor: 220-240/50/1

*Cooling capacity is based on 94°F outside ambient, 80°F DB/67°F WB air on coil.



Model Nomenclature

TW E 0 30 C A 4 0 A 0
1,2 3 4 5,6 7 8 9 10 11 12

Digit 1,2 - Product Type

TW = Split System Component
Heat Pump Compatible

Digit 3 - Airflow Configuration

E = Convertible

Digit 4 - Refrigerant Connections

0 = Brazed

5 = Flare

Digits 5,6 - Nominal Capacity

30 = 30 MBh

40 = 40 MBh

50 = 50 MBh

Digit 7

C = Development Sequence

Digit 8 - Voltage

A = 220/1/50

Digit 9 - Refrigerant Flow Control

4 = Accutron Flow Control/
Check Valve

5 = Bleed TXV

Digit 10 - Not Used

Digit 11 - Minor Design Change

Digit 12 - Service Digit



Product Data

Table 1 — TWE Product Specifications

Model	TWE030CA40B	TWE040CA40C	TWE050CA50D
Power Conn.— Volts/Ph/Hz	220/1/50	220/1/50	220/1/50
Indoor Coil - Type	Plate Fin	Plate Fin	Plate Fin
Rows	3	3	3
Fins per inch (Fins per 25.4mm)	14	14	14
Face Area ft ² -(m ²)	3.21 (.30)	5.04 (.47)	6.19 (.58)
Tube Size in. (mm)	³ / ₈ (9.52)	³ / ₈ (9.52)	³ / ₈ (9.52)
Refrigerant Control	FCCV	FCCV	FCCV
Drain Conn. Size in. (mm)	³ / ₄ NPT	³ / ₄ NPT	³ / ₄ NPT
Duct Connections	SEE OUTLINE DRAWING		
Indoor Fan - Type	Centrifugal	Centrifugal	Centrifugal
No. Used	1	1	1
Diameter in. (mm)	10.0 (254.0)	10.0 (254.0)	11.0 (279.4)
Width in. (mm)	8.0 (203.2)	10.0 (254.0)	10.0 (254.0)
Type Drive - No. Speeds	Direct - 3	Direct - 3	Direct - 3
Airflow (High)	SEE FAN PERFORMANCE TABLE		
CFM @ 0.0 in. w.g.	SEE FAN PERFORMANCE TABLE		
CMH @ 0.0 mm w.g.	SEE FAN PERFORMANCE TABLE		
No. Motors - HP	1 - ¹ / ₃	1 - ¹ / ₃	1 - ³ / ₄
Motor RPM	1000	900	900
Volts/Ph/Hz	220/1/50	220/1/50	220/1/50
F.L. Amps	2.6	2.1	4.5
L.R. Amps	3.3	4.2	10.1
Filters			
Vertical Applications			
Filter Furnished	Yes	Yes	Yes
Type Furnished	Throwaway	Throwaway	High Velocity
No.-Size-Thickness	1 - 20 x 20 - 1	1 - 20 x 20 - 1	1 - 2 2 x 20 - 1
Horizontal Applications			
Filter Furnished	No	No	No
Type Recommended	SEE NOTE BELOW		
No.-Size-Thickness	SEE NOTE BELOW		
Refrigerant Line Size			
Line Size ID Gas in. (mm)	⁷ / ₈ (22.23)	1 ¹ / ₈ (28.56)	1 ¹ / ₈ (28.56)
Line Size ID Liquid in. (mm)	³ / ₈ (9.52)	³ / ₈ (9.52)	³ / ₈ (9.52)
Dimensions (H x W x D)			
Crated - in.	44.5 x 24.0 x 23.5	53.25 x 26.0 x 23.5	59.5 x 26.0 x 23.5
- (mm)	(1130 x 610 x 597)	(1353 x 660 x 597)	(1511 x 660 x 597)
Uncrated - in.	43.0 x 21.5 x 21.0	52.0 x 23.5 x 21.0	58.0 x 23.5 x 21.0
- (mm)	(1092 x 546 x 533)	(1321 x 597x 533)	(1473 x 597 x 533)
Weight lbs. (kg)			
Shipping	125 (56.7)	165 (74.8)	198 (898)
Net	115 (52.2)	150 (68.0)	183 (83.0)

Minimum filter size for horizontal applications based on airflow selection and calculated as follows:
 Low Velocity Filter: Face Area (ft²) = CFM/300
 High Velocity Filter: Face Area (ft²) = CFM/500



Product Data

Table 2 — TTB5 Product Specifications^{1,2}

Model	TTB524CA00A	TTB530CA00A
Power Conn. — Volts/Ph/Hz	200-230/1/50	200-230/1/50
Min. Brch. Cir. Ampacity ³	19	20
Br. Cir. Max. (Amps)	30	30
Prot. Rtg. Recmd. (Amps)	30	30
Compressor Type	Climatuff® Reciprocating	Climatuff® Reciprocating
No. Used - No. Speeds	1 — 1	1 — 1
Volts/Ph/Hz	200-230/1/50	200-230/1/50
R.L. Amps - L.R. Amps	13.9 — 60	13.9 — 79
Voltage Utilization Range	180-253	180-253
Brch. Cir. Selec. Cur. Amps	13.9	14.9
Outdoor Fan - Type	Propeller	Propeller
Dia. - in. (mm) - No. Used	18 (457) — 1	18 (457) — 1
Type Drive - No. Speeds	Direct — 1	Direct — 1
CFM @ 0.0 in. w.g. ⁴	1925	2225
CMH @ 0.0 mm w.g.	908	1050
No. Motors	1	1
Motor HP (W)	1/6 (124)	1/6 (124)
Motor Speed RPM	1100	1100
Volts/Ph/Hz	200-230/1/50	200-230/1/50
F.L. Amps	1.30	1.30
Outdoor Coil - Type	Spine Fin™	Spine Fin™
Rows - Fins/in. (Fins/mm)	1 — 24 (1)	1 — 24 (1)
Face Area - ft ² (m ²)	10.96 (1.02)	14.93 (1.39)
Tube Size - in. (mm)	3/8 (10)	3/8 (10)
Refrigerant		
R-22 ⁵ - lbs. (kg)	4 lbs, 15 oz. (2.24)	6 lbs, 11 oz. (3.03)
Factory Supplied	Yes	Yes
Line Size - O.D. Gas ⁶ - in. (mm)	3/4 (20)	3/4 (20)
Line Size - O.D. Liq. ⁶ - in. (mm)	5/16 (8)	5/16 (8)
Dimensions (H x W x D)		
Crated - in.	26 ³ / ₈ x 26 ⁷ / ₈ x 26 ⁷ / ₈	33 ³ / ₈ x 26 ⁷ / ₈ x 26 ⁷ / ₈
- (mm)	(670 x 683 x 683)	(848 x 683 x 683)
Uncrated	See Outline Dwg.	See Outline Dwg.
Weight lbs. (kg)		
Shipping	176 (79.8)	184 (83.5)
Net	166 (75.3)	174 (78.9)

Notes:

¹Rated in accordance with ARI Standard 210/240.

²Rated in accordance with ARI Standard 270.

³Calculated in accordance with National Electric Code. Suitable for use with HACR circuit breakers or fuses.

⁴Standard air — dry coil — outdoor.

⁵This value approximate. For more precise value see unit nameplate and service instructions.

⁶Max. linear length 80 ft.; max. lift — suction 60 ft.; max. lift — liquid 60 ft. Max. length of precharged tubing 50 ft. For greater length refer to Refrigerant Piping Manual Pub. No. 32-3009.



Product Data

Table 3 — TT5 Product Specifications^{1,2}

Model	TTB536CA00A
Power Conn. - Volts/Ph/Hz	200-230/1/50
Min. Brch. Cir. Ampacity ³	24
Br. Cir. Max. (Amps)	40
Prot. Rtg. Recmd. (Amps)	40
Compressor Type	Climatuff® Reciprocating
No. Used - No. Speeds	1 — 1
Volts/Ph/Hz	200-230/1/50
R.L. Amps - L.R. Amps	17.6 — 95
Voltage Utilization Range	180-253
Brch. Cir. Selec. Cur. Amps	17.6
Outdoor Fan - Type	Propeller
Dia. in. (mm) - No. Used	18 (457) — 1
Type Drive - No. Speeds	Direct — 1
CFM @ 0.0 in. w.g. ⁴	2225
CMH @ 0.0 mm w.g.	1050
No. Motors	1
Motors HP (W)	1/6 (124)
Motor Speed RPM	1100
Volts/Ph/Hz	200-230/1/50
F.L. Amps	1.30
Outdoor Coil - Type	Spine Fin™
Rows - Fins/in. (Fins/mm)	1 — 24 (1)
Face Area - ft ² (m ²)	14.93 (1.39)
Tube Size - in. (mm)	3/8 (10)
Refrigerant	
R-22 ⁵ - lbs. (kg)	6 lbs, 11 oz. (3.03)
Factory Supplied	Yes
Line Size - O.D. Gas ⁶ - in. (mm)	3/4 (20)
Line Size - O.D. Liq. ⁶ - in. (mm)	5/16 (8)
Dimensions (H x W x D)	
Crated - in.	33 ³ / ₈ x 26 ⁷ / ₈ x 26 ⁷ / ₈
- (mm)	(848 x 683 x 683)
Uncrated	See Outline Dwg.
Weight lbs. (kg)	
Shipping	203 (92.1)
Net	193 (87.5)

Notes:

¹Rated in accordance with ARI Standard 210/240.

²Rated in accordance with ARI Standard 270.

³Calculated in accordance with National Electric Code. Suitable for use with HACR circuit breakers or fuses.

⁴Standard air — dry coil — outdoor.

⁵This value approximate. For more precise value see unit nameplate and service instructions.

⁶Max. linear length 80 ft.; max. lift — suction 60 ft.; max. lift — liquid 60 ft. Max. length of precharged tubing 50 ft. For greater length refer to Refrigerant Piping Manual Pub. No. 32-3009.



Product Data

Table 4 — TTA Product Specifications

Model	TTA030CD00A	TTA040CD00A	TTA050CD00A	TTA060CD00A
Power Conn. - Volts/Ph/Hz	380-415/3/50	380-415/3/50	380-415/3/50	380-415/3/50
Fuse Size - max. amps	Per Local Codes	Per Local Codes	Per Local Codes	Per Local Codes
Compressor - Type	Climatuff® Reciprocating			
No. Used - No. Speeds	1 - 1	1 - 1	1 - 1	1 - 1
Volts/Ph/Hz	380-415/3/50	380-415/3/50	380-415/3/50	380-415/3/50
F.L. Amps ¹	5.0	7.0	9.0	10.6
L.R. Amps	51.0	51.0	71.0	64.0
Outdoor Fan - Type	Propeller	Propeller	Propeller	Propeller
No. Used	1	1	1	1
Diameter in. (mm)	18 (457)	18 (457)	22 (559)	26 (660)
Type Drive - No. Speeds	Direct-1	Direct-1	Direct-1	Direct-1
CFM @ 0.0 in. w.g.	1815	1845	2225	4250
CMH @ 0.0 mm w.g.	3083	3134	3780	7220
No. Motors - HP	1 - 1/4	1 - 1/4	1 - 1/3	1 - 1/3
Motor Speed (RPM)	1 (900)	1 (900)	1 (690)	1 (690)
Volts/Ph/Hz	400/1/50	400/1/50	400/1/50	400/1/50
F.L. Amps	0.80	0.80	1.00	1.70
Outdoor Coil - Type	Spine Fin™	Spine Fin™	Spine Fin™	Spine Fin™
No. Rows - Fins/in.	1 - 24	1 - 24	1 - 24	1 - 24
Face Area ft ² (m ²)	12.22 (1.14)	16.84 (1.57)	25.50 (2.37)	35.39 (3.29)
Tube Size in. (mm)	3/8 (9.52)	3/8 (9.52)	3/8 (9.52)	3/8 (9.52)
Refrigerant				
R-22 ² - lbs. (kg)	5 lbs, 12 oz. (2.61)	7 lbs, 2 oz. (3.23)	9 lbs, 2 oz. (4.14)	13 lbs, 0 oz. (5.90)
Line Size - OD Gas in. (mm)	7/8 (22.3)	1 1/8 (28.6)	1 1/8 (28.6)	1 1/8 (28.6)
Line Size - OD Liq. in. (mm)	3/8 (9.52)	3/8 (9.52)	3/8 (9.52)	3/8 (9.52)
Dimensions (H x W x D)				
Crated - in.	25.0 x 30.0 x 26.5	33.3 x 30.0 x 26.5	41.3 x 34.8 x 31.3	45.5 x 41.0 x 37.0
- (mm)	(635 x 762 x 673)	(846 x 762 x 673)	(1049 x 884 x 795)	(1156 x 1041 x 940)
Uncrated - in.	24.3 x 28.3 x 24.6	32.8 x 28.3 x 24.6	40.6 x 32.9 x 28.8	44.8 x 38.9 x 34.8
- (mm)	(617 x 719 x 625)	(833 x 719 x 625)	(1031 x 836 x 732)	(1138 x 988 x 884)
Weight- lbs. (kg)				
Shipping	190.0 (86.2)	211.0 (95.7)	254.0 (115.2)	333.0 (151.0)
Net	181.0 (82.1)	200.0 (90.7)	239.0 (108.4)	314.0 (142.0)

¹At ARI system rating conditions of 80° F-DB/67° F-WB indoor & 95° F-DB outdoor.

²Rated for 25 feet (7.5 meters) of evacuated refrigerant piping.



Performance Data Cooling

English Units

TTB524CA00A WITH TWE030CA40B AT 900 CFM

GROSS CAPACITY IN BTU/H x 1000

O.D. D.B.	I.D. W.B.	TOTAL CAP.	SENS. CAP. AT ENTERING D.B. TEMP.					COMPR. KW
			72	74	76	78	80	
85	59	22.9	20.9	22.6	23.4*	24.0*	24.6*	1.90
	63	24.7	17.6	19.3	21.0	22.7	24.4	1.97
	67	26.6	13.9	15.6	17.3	19.0	20.7	2.04
	71	28.6	10.2	11.9	13.6	15.3	17.0	2.11
90	59	22.6	20.7	22.4	23.1*	23.8*	24.3*	2.01
	63	24.4	17.4	19.1	20.8	22.5	24.2	2.07
	67	26.2	13.8	15.5	17.2	18.9	20.6	2.14
	71	28.1	10.0	11.7	13.4	15.1	16.8	2.21
95	59	22.3	20.6	22.3*	22.9*	23.5*	24.0*	2.11
	63	24.0	17.3	19.0	20.7	22.4	24.0*	2.18
	67	25.8	13.6	15.3	17.0	18.7	20.4	2.25
	71	27.7	9.9	11.6	13.3	15.0	16.7	2.32
100	59	21.5	20.2	21.7*	22.3*	22.8*	23.4*	2.20
	63	23.2	16.9	18.6	20.3	22.0	23.4*	2.26
	67	24.9	13.2	14.9	16.6	18.4	20.1	2.33
	71	26.7	9.5	11.2	12.9	14.6	16.3	2.40
105	59	20.8	19.9	21.1*	21.6*	22.2*	22.7*	2.29
	63	22.4	16.6	18.3	20.0	21.7	22.7*	2.35
	67	24.0	12.9	14.6	16.3	18.0	19.7	2.41
	71	25.7	9.1	10.8	12.5	14.2	15.9	2.48
115	59	19.3	19.2	19.8*	20.3*	20.8*	21.3*	2.47
	63	20.7	15.9	17.6	19.3	20.8*	21.3*	2.53
	67	22.2	12.2	13.9	15.6	17.3	19.0	2.58
	71	23.8	8.4	10.1	11.8	13.5	15.2	2.64

CORRECTION FACTORS - OTHER AIRFLOWS (MULTIPLY OR ADD AS INDICATED)

AIRFLOW	775	1025	AIRFLOW	775	1025
TOTAL CAP.	X0.98	X1.01	SENS. CAP.	X0.94	X1.06
COMPR. KW	X0.99	X1.01			

VALUES AT 95/80/67 RATING CONDITIONS
GROSS CAPACITY = 25800 BTUH
AIRFLOW = 900 CFM
COMPRESSOR POWER = 2245 WATTS
I.D. FAN POWER = 425 WATTS
O.D. FAN POWER = 165 WATTS
S.E.E.R. = 8.71 BTUH/WATT
E.E.R. = 9.10 BTUH/WATT

NOTE: RATED WITH 25 FEET OF 3/4 SUCTION AND 5/16 LIQUID LINE

TTB530CA00A WITH TWE030CA40B AT 1000 CFM

GROSS CAPACITY IN BTU/H x 1000

O.D. D.B.	I.D. W.B.	TOTAL CAP.	SENS. CAP. AT ENTERING D.B. TEMP.					COMPR. KW
			72	74	76	78	80	
85	59	27.4	24.2	26.1	27.6*	28.3*	29.0*	2.05
	63	29.5	20.5	22.4	24.3	26.2	28.1	2.12
	67	31.6	16.5	18.4	20.2	22.1	24.0	2.20
	71	33.9	12.3	14.2	16.1	18.0	19.8	2.28
90	59	27.1	24.1	25.9	27.3*	28.0*	28.7*	2.15
	63	29.1	20.4	22.3	24.1	26.0	27.9	2.23
	67	31.2	16.3	18.2	20.1	21.9	23.8	2.31
	71	33.4	12.1	14.0	15.9	17.8	19.7	2.39
95	59	26.7	23.9	25.8	27.0*	27.7*	28.4*	2.25
	63	28.7	20.2	22.1	24.0	25.9	27.7	2.33
	67	30.8	16.1	18.0	19.9	21.8	23.7	2.41
	71	33.0	11.9	13.8	15.7	17.6	19.5	2.49
100	59	25.8	23.5	25.4	26.3*	27.0*	27.6*	2.34
	63	27.8	19.8	21.7	23.6	25.4	27.3	2.42
	67	29.8	15.7	17.6	19.5	21.4	23.2	2.50
	71	31.9	11.5	13.4	15.3	17.2	19.1	2.58
105	59	25.0	23.1	25.0	25.6*	26.3*	26.6*	2.43
	63	26.8	19.4	21.3	23.1	25.0	26.9*	2.51
	67	28.8	15.3	17.2	19.1	20.9	22.8	2.59
	71	30.8	11.1	13.0	14.9	16.8	18.6	2.67
115	59	23.2	22.3	23.5*	24.2*	24.7*	25.3*	2.62
	63	25.0	18.6	20.4	22.3	24.2	25.3*	2.69
	67	26.7	14.5	16.3	18.2	20.1	22.0	2.77
	71	28.6	10.3	12.2	14.0	15.9	17.8	2.84

CORRECTION FACTORS - OTHER AIRFLOWS (MULTIPLY OR ADD AS INDICATED)

AIRFLOW	1000	1000	AIRFLOW	1000	1000
TOTAL CAP.	X1.00	X1.00	SENS. CAP.	X1.00	X1.00
COMPR. KW	X1.00	X1.00			

VALUES AT 95/80/67 RATING CONDITIONS

GROSS CAPACITY = 30800 BTUH
AIRFLOW = 1000 CFM
COMPRESSOR POWER = 2410 WATTS
I.D. FAN POWER = 440 WATTS
O.D. FAN POWER = 170 WATTS
S.E.E.R. = 9.80 BTUH/WATT
E.E.R. = 10.20 BTUH/WATT

NOTE: RATED WITH 25 FEET OF 3/4 SUCTION AND 5/16 LIQUID LINE



Performance Data Cooling

Metric Units

TTB524CA00A WITH TWE030CA40B AT 1528 CMH GROSS CAPACITY IN KILOWATTS

O.D. D.B.	I.D. W.B.	TOTAL CAP.	SENS. CAP. AT ENTERING D.B. TEMP.				COMPR. KW	
			22.2	23.3	24.4	25.6		26.7
29.4	15.0	6.7	6.1	6.6	6.9*	7.0*	7.2*	1.90
	17.2	7.2	5.2	5.7	6.2	6.7	7.1	1.97
	19.4	7.8	4.1	4.6	5.1	5.6	6.1	2.04
	21.7	8.4	3.0	3.5	4.0	4.5	5.0	2.11
32.2	15.0	6.6	6.1	6.6	6.8*	7.0*	7.1*	2.01
	17.2	7.1	5.1	5.6	6.1	6.6	7.1	2.07
	19.4	7.7	4.0	4.5	5.0	5.5	6.0	2.14
	21.7	8.2	2.9	3.4	3.9	4.4	4.9	2.21
35.0	15.0	6.5	6.0	6.5*	6.7*	6.9*	7.0*	2.11
	17.2	7.0	5.1	5.6	6.1	6.6	7.0	2.18
	19.4	7.6	4.0	4.5	5.0	5.5	6.0	2.25
	21.7	8.1	2.9	3.4	3.9	4.4	4.9	2.32
37.8	15.0	6.3	5.9	6.4*	6.5*	6.7*	6.9*	2.20
	17.2	6.8	5.0	5.4	5.9	6.4	6.9	2.26
	19.4	7.3	3.9	4.4	4.9	5.4	5.9	2.33
	21.7	7.8	2.8	3.3	3.8	4.3	4.8	2.40
40.6	15.0	6.1	5.8	6.2*	6.3*	6.5*	6.7*	2.29
	17.2	6.6	4.9	5.4	5.9	6.4	6.7	2.35
	19.4	7.0	3.8	4.3	4.8	5.3	5.8	2.41
	21.7	7.5	2.7	3.2	3.7	4.2	4.7	2.48
46.1	15.0	5.7	5.6	5.8*	5.9*	6.1*	6.2*	2.47
	17.2	6.1	4.7	5.2	5.7	6.1	6.2	2.53
	19.4	6.5	3.6	4.1	4.6	5.1	5.6	2.58
	21.7	7.0	2.5	3.0	3.5	4.0	4.5	2.64

CORRECTION FACTORS - OTHER AIRFLOWS (MULTIPLY OR ADD AS INDICATED)

AIRFLOW	0.368	0.486	AIRFLOW	0.368	0.486
TOTAL CAP.	X0.98	X1.01	SENS. CAP.	X0.94	X1.06
COMPR. KW	X0.99	X1.01			

VALUES AT ARI RATING CONDITIONS
GROSS CAPACITY = 7.54 KW
AIRFLOW = 0.42 CMS
AIRFLOW = 900. CFM
COMPRESSOR POWER = 2245 WATTS
I.D. FAN POWER = 425 WATTS
O.D. FAN POWER = 165 WATTS
COP = 2.67
EER = 9.10 BTU/WATT

NOTE: RATED WITH 7.62 METERS OF 3/4 IN. SUCTION AND 5/16 IN. LIQUID LINES

TTB530CA00A WITH TWE030CA40B AT 1700 CMH GROSS CAPACITY IN KILOWATTS

O.D. D.B.	I.D. W.B.	TOTAL CAP.	SENS. CAP. AT ENTERING D.B. TEMP.				COMPR. KW	
			22.2	23.3	24.4	25.6		26.7
29.4	15.0	8.0	7.1	7.6	8.1*	8.3*	8.5*	2.05
	17.2	8.6	6.0	6.6	7.1	7.7	8.2	2.12
	19.4	9.3	4.8	5.4	5.9	6.5	7.0	2.20
	21.7	9.9	3.6	4.2	4.7	5.3	5.8	2.28
32.2	15.0	7.9	7.1	7.6	8.0*	8.2*	8.4*	2.15
	17.2	8.5	6.0	6.5	7.1	7.6	8.2	2.23
	19.4	9.1	4.8	5.3	5.9	6.4	7.0	2.31
	21.7	9.8	3.5	4.1	4.7	5.2	5.8	2.39
35.0	15.0	7.8	7.0	7.6	7.9*	8.1*	8.3*	2.25
	17.2	8.4	5.9	6.5	7.0	7.6	8.1	2.33
	19.4	9.0	4.7	5.3	5.8	6.4	6.9	2.41
	21.7	9.7	3.5	4.0	4.6	5.2	5.7	2.49
37.8	15.0	7.6	6.9	7.4	7.7*	7.9*	8.1*	2.34
	17.2	8.1	5.8	6.4	6.9	7.4	8.0	2.42
	19.4	8.7	4.6	5.2	5.7	6.3	6.8	2.50
	21.7	9.3	3.4	3.9	4.5	5.0	5.6	2.58
40.6	15.0	7.3	6.8	7.3*	7.5*	7.7*	2.0*	2.43
	17.2	7.9	5.7	6.2	6.8	7.3	7.9	2.51
	19.4	8.4	4.5	5.0	5.6	6.1	6.7	2.59
	21.7	9.0	3.3	3.8	4.4	4.9	5.4	2.67
46.1	15.0	6.8	6.5	6.9*	7.1*	7.2*	7.4*	2.62
	17.2	7.3	5.4	6.0	6.5	7.1	7.4	2.69
	19.4	7.8	4.2	4.8	5.3	5.9	6.4	2.77
	21.7	8.4	3.0	3.6	4.1	4.7	5.2	2.84

CORRECTION FACTORS - OTHER AIRFLOWS (MULTIPLY OR ADD AS INDICATED)

AIRFLOW	0.472	0.472	AIRFLOW	0.472	0.472
TOTAL CAP.	X1.00	X1.00	SENS. CAP.	X1.00	X1.00
COMPR. KW	X1.00	X1.00			

VALUES AT ARI RATING CONDITIONS
GROSS CAPACITY = 9.02 KW
AIRFLOW = 0.47 CMS
AIRFLOW = 1000. CFM
COMPRESSOR POWER = 2410 WATTS
I.D. FAN POWER = 440 WATTS
O.D. FAN POWER = 170 WATTS
COP = 2.99
EER = 10.20 BTU/WATT

NOTE: RATED WITH 7.62 METERS OF 3/4 IN. SUCTION AND 5/16 IN. LIQUID LINES



Performance Data Cooling

English Units

TTB530CA00A WITH TWE040CA40C AT 1200 CFM GROSS CAPACITY IN BTU/H x 1000

O.D. D.B.	I.D. W.B.	TOTAL CAP.	SENS. CAP. AT ENTERING D.B. TEMP.					COMPR. KW
			72	74	76	78	80	
85	59	29.1	27.5	29.3*	30.1*	30.8*	31.5*	2.18
	63	31.2	22.9	25.2	27.5	29.9	31.5*	2.26
	67	33.4	17.8	20.2	22.5	24.8	27.1	2.34
	71	35.7	12.7	15.0	17.4	19.7	22.0	2.42
90	59	28.7	27.3	29.0*	29.7*	30.4*	31.1*	2.29
	63	30.8	22.7	25.0	27.3	29.7	31.1*	2.37
	67	32.9	17.6	20.0	22.3	24.6	26.9	2.45
	71	35.1	12.5	14.8	17.2	19.5	21.8	2.54
95	59	28.3	27.1	28.6*	29.4*	30.1*	30.7*	2.40
	63	30.3	22.5	24.8	27.1	29.5	30.7*	2.48
	67	32.4	17.4	19.8	22.1	24.4	26.7	2.56
	71	34.6	12.3	14.6	16.9	19.3	21.6	2.65
100	59	27.4	26.7	27.9*	28.6*	29.2*	29.9*	2.49
	63	29.3	22.1	24.4	26.7	29.0	29.9*	2.57
	67	31.3	17.0	19.3	21.7	24.0	26.3	2.65
	71	33.4	11.9	14.2	16.5	18.8	21.2	2.74
105	59	26.5	26.3	27.1*	27.8*	28.4*	29.0*	2.58
	63	28.3	21.7	24.0	26.3	28.4*	29.0*	2.66
	67	30.2	16.6	18.9	21.2	23.6	25.9	2.74
	71	32.2	11.4	13.8	16.1	18.4	20.7	2.83
115	59	24.6	24.8*	25.5*	26.1*	26.7*	27.3*	2.76
	63	26.3	20.8	23.1	25.5	26.7*	27.3*	2.84
	67	28.1	15.7	18.1	20.4	22.7	25.0	2.92
	71	29.9	10.6	12.9	15.2	17.6	19.9	3.01

CORRECTION FACTORS - OTHER AIRFLOWS (MULTIPLY OR ADD AS INDICATED)

AIRFLOW	1200	1200	AIRFLOW	1200	1200
TOTAL CAP.	X1.00	X1.00	SENS. CAP.	X1.00	X1.00
COMPR. KW	X1.00	X1.00			

VALUES AT 95/80/67 RATING CONDITIONS

GROSS CAPACITY = 32400 BTUH
AIRFLOW = 1200 CFM
COMPRESSOR POWER = 2562 WATTS
I.D. FAN POWER = 325 WATTS
O.D. FAN POWER = 170 WATTS
S.E.E.R. = 10.82 BTUH/WATT
E.E.R. = 10.60 BTUH/WATT

NOTE: RATED WITH 25 FEET OF 3/4 SUCTION AND 5/16 LIQUID LINE

TTB536CA00A WITH TWE040CA40C AT 1200 CFM GROSS CAPACITY IN BTU/H x 1000

O.D. D.B.	I.D. W.B.	TOTAL CAP.	SENS. CAP. AT ENTERING D.B. TEMP.					COMPR. KW
			72	74	76	78	80	
85	59	35.2	30.5	32.8	35.2	36.0*	36.9*	2.61
	63	37.8	25.9	28.3	30.6	32.9	35.3	2.72
	67	40.5	20.9	23.2	25.5	27.9	30.2	2.83
	71	43.3	15.7	18.0	20.4	22.7	25.0	2.94
90	59	34.6	30.2	32.5	34.7*	35.5*	36.4*	2.75
	63	37.1	25.6	27.9	30.3	32.6	35.0	2.85
	67	39.8	20.5	22.9	25.2	27.6	29.9	2.96
	71	42.5	15.4	17.7	20.0	22.4	24.7	3.08
95	59	33.9	29.9	32.2	34.1*	35.0*	35.8*	2.88
	63	36.4	25.3	27.6	30.0	32.3	34.6	2.99
	67	39.0	20.2	22.6	24.9	27.2	29.6	3.10
	71	41.7	15.0	17.4	19.7	22.1	24.4	3.21
100	59	32.7	29.3	31.7	33.2*	34.0*	34.8*	2.98
	63	35.1	24.7	27.1	29.4	31.7	34.1	3.09
	67	37.6	19.7	22.0	24.3	26.7	29.0	3.20
	71	40.2	14.5	16.8	19.2	21.5	23.8	3.31
105	59	31.5	28.8	31.1	32.2*	33.0*	33.7*	3.08
	63	33.8	24.2	26.5	28.8	31.2	33.5	3.18
	67	36.2	19.1	21.4	23.8	26.1	28.4	3.29
	71	38.7	13.9	16.2	18.6	20.9	23.3	3.40
115	59	29.1	27.6	29.4*	30.2*	30.9*	31.6*	3.29
	63	31.2	23.0	25.4	27.7	30.0	31.6*	3.38
	67	33.4	18.0	20.3	22.6	25.0	27.3	3.48
	71	35.7	12.8	15.1	17.5	19.8	22.1	3.59

CORRECTION FACTORS - OTHER AIRFLOWS (MULTIPLY OR ADD AS INDICATED)

AIRFLOW	1200	1200	AIRFLOW	1200	1200
TOTAL CAP.	X1.00	X1.00	SENS. CAP.	X1.00	X1.00
COMPR. KW	X1.00	X1.00			

VALUES AT 95/80/67 RATING CONDITIONS

GROSS CAPACITY = 39000 BTUH
AIRFLOW = 1200 CFM
COMPRESSOR POWER = 3099 WATTS
I.D. FAN POWER = 325 WATTS
O.D. FAN POWER = 170 WATTS
S.E.E.R. = 10.95 BTUH/WATT
E.E.R. = 10.85 BTUH/WATT

NOTE: RATED WITH 25 FEET OF 3/4 SUCTION AND 5/16 LIQUID LINE



Performance Data Cooling

Metric Units

TTB530CA00A WITH TWE040CA40C AT 2039 CMH GROSS CAPACITY IN KILOWATTS

O.D. D.B.	I.D. W.B.	TOTAL CAP.	SENS. CAP. AT ENTERING D.B. TEMP.					COMPR. KW
			22.2	23.3	24.4	25.6	26.7	
29.4	15.0	8.5	8.1	8.6*	8.8*	9.0*	9.2*	2.18
	17.2	9.1	6.7	7.4	8.1	8.8	9.2*	2.26
	19.4	9.8	5.2	5.9	6.6	7.3	7.9	2.34
	21.7	10.5	3.7	4.4	5.1	5.8	6.4	2.42
32.2	15.0	8.4	8.0	8.5*	8.7*	8.9*	9.1*	2.29
	17.2	9.0	6.7	7.3	8.0	8.7	9.1*	2.37
	19.4	9.6	5.2	5.9	6.5	7.2	7.9	2.45
	21.7	10.3	3.7	4.3	5.0	5.7	6.4	2.54
35.0	15.0	8.3	7.9	8.4*	8.6*	8.8*	9.0*	2.40
	17.2	8.9	6.6	7.3	7.9	8.6	9.0*	2.48
	19.4	9.5	5.1	5.8	6.5	7.1	7.8	2.56
	21.7	10.1	3.6	4.3	5.0	5.7	6.3	2.65
37.8	15.0	8.0	7.8	8.2*	8.4*	8.6*	8.8*	2.49
	17.2	8.6	6.5	7.1	7.8	8.5	8.8*	2.57
	19.4	9.2	5.0	5.7	6.4	7.0	7.7	2.65
	21.7	9.8	3.5	4.2	4.8	5.5	6.2	2.74
40.6	15.0	7.8	7.7	7.9*	8.1*	8.3*	8.5*	2.58
	17.2	8.3	6.4	7.0	7.7	8.3*	8.5*	2.66
	19.4	8.8	4.9	5.5	6.2	6.9	7.6	2.74
	21.7	9.4	3.3	4.0	4.7	5.4	6.1	2.83
46.1	15.0	7.2	7.3*	7.5*	7.6*	7.8*	8.0*	2.76
	17.2	7.7	6.1	6.8	7.5	7.8	8.0	2.84
	19.4	8.2	4.6	5.3	6.0	6.7	7.3	2.92
	21.7	8.8	3.1	3.8	4.5	5.2	5.8	3.01

CORRECTION FACTORS - OTHER AIRFLOWS (MULTIPLY OR ADD AS INDICATED)

AIRFLOW	566	566	AIRFLOW	566	566
TOTAL CAP.	X1.00	X1.00	SENS. CAP.	X1.00	X1.00
COMPR. KW	X1.00	X1.00			

VALUES AT ARI RATING CONDITIONS

GROSS CAPACITY = 9.48 KW
 AIRFLOW = 0.57 CMS
 COMPRESSOR POWER = 2562 WATTS
 I.D. FAN POWER = 325 WATTS
 O.D. FAN POWER = 170 WATTS
 COP = 3.11
 EER = 10.60 BTU/WATT

NOTE: RATED WITH 7.62 METERS OF 3/4 IN. SUCTION AND 5/16 IN. LIQUID LINES

TTB536CA00A WITH TWE040CA40C AT 2039 CMH GROSS CAPACITY IN KILOWATTS

O.D. D.B.	I.D. W.B.	TOTAL CAP.	SENS. CAP. AT ENTERING D.B. TEMP.					COMPR. KW
			22.2	23.3	24.4	25.6	26.7	
29.4	15.0	10.3	8.9	9.6	10.3	10.5*	10.8*	2.61
	17.2	11.1	7.6	8.3	9.0	9.6	10.3	2.72
	19.4	11.9	6.1	6.8	7.5	8.2	8.8	2.83
	21.7	12.7	4.6	5.3	6.0	6.7	7.3	2.94
32.2	15.0	10.1	8.8	9.5	10.2*	10.4*	10.7*	2.75
	17.2	10.9	7.5	8.2	8.9	9.6	10.3	2.85
	19.4	11.7	6.0	6.7	7.4	8.1	8.8	2.96
	21.7	12.5	4.5	5.2	5.9	6.6	7.2	3.08
35.0	15.0	9.9	8.8	9.4	10.0*	10.3*	10.5*	2.88
	17.2	10.7	7.4	8.1	8.8	9.5	10.1	2.99
	19.4	11.4	5.9	6.6	7.3	8.0	8.7	3.10
	21.7	12.2	4.4	5.1	5.8	6.5	7.1	3.21
37.8	15.0	9.6	8.6	9.3	9.7*	10.0*	10.2*	2.98
	17.2	10.3	7.2	7.9	8.6	9.3	10.0	3.09
	19.4	11.0	5.8	6.4	7.1	7.8	8.5	3.20
	21.7	11.8	4.2	4.9	5.6	6.3	7.0	3.31
40.6	15.0	9.2	8.4	9.1	9.4*	9.7*	9.9*	3.08
	17.2	9.9	7.1	7.8	8.4	9.1	9.8	3.18
	19.4	10.6	5.6	6.3	7.0	7.6	8.3	3.29
	21.7	11.3	4.1	4.7	5.4	6.1	6.8	3.40
46.1	15.0	8.5	8.1	8.6*	8.8*	9.1*	9.3*	3.29
	17.2	9.1	6.7	7.4	8.1	8.8	9.3*	3.38
	19.4	9.8	5.3	5.9	6.6	7.3	8.0	3.48
	21.7	10.5	3.8	4.4	5.1	5.8	6.5	3.59

CORRECTION FACTORS - OTHER AIRFLOWS (MULTIPLY OR ADD AS INDICATED)

AIRFLOW	566	566	AIRFLOW	566	566
TOTAL CAP.	X1.00	X1.00	SENS. CAP.	X1.00	X1.00
COMPR. KW	X1.00	X1.00			

VALUES AT ARI RATING CONDITIONS

GROSS CAPACITY = 11.41 KW
 AIRFLOW = 0.57 CMS
 COMPRESSOR POWER = 3099 WATTS
 I.D. FAN POWER = 325 WATTS
 O.D. FAN POWER = 170 WATTS
 COP = 3.18
 EER = 10.85 BTU/WATT

NOTE: RATED WITH 7.62 METERS OF 3/4 IN. SUCTION AND 5/16 IN. LIQUID LINES



Performance Data Cooling

English Units

TTA030CD WITH TWE030CA4 AT 1000 CFM

GROSS CAPACITY IN BTU/H x 1000

O.D. D.B.	I.D. W.B.	TOTAL CAP.	SENS. CAP. AT ENTERING D.B. TEMP.					COMPR. KW
			72	74	76	78	80	
85	59	27.3	21.8	23.5	25.2	26.9	27.9*	2.27
	63	29.5	18.5	20.2	21.9	23.6	25.3	2.35
	67	31.7	14.9	16.6	18.3	20.0	21.7	2.43
	71	34.1	11.2	12.9	14.6	16.3	18.0	2.51
90	59	26.8	21.6	23.3	25.0	26.7	27.5*	2.38
	63	28.9	18.3	20.0	21.7	23.4	25.1	2.46
	67	31.1	14.7	16.4	18.1	19.8	21.5	2.54
	71	33.4	10.9	12.6	14.3	16.0	17.7	2.63
95	59	26.3	21.4	23.1	24.8	26.4*	27.1*	2.49
	63	28.3	18.1	19.8	21.5	23.2	24.9	2.57
	67	30.5	14.4	16.1	17.8	19.5	21.2	2.65
	71	32.7	10.7	12.4	14.1	15.8	17.5	2.74
100	59	25.6	21.1	22.8	24.5	25.9*	26.5*	2.61
	63	27.6	17.8	19.5	21.2	22.9	24.6	2.69
	67	29.7	14.1	15.8	17.5	19.2	20.9	2.77
	71	31.8	10.4	12.1	13.8	15.5	17.2	2.85
105	59	24.9	20.8	22.5	24.2	25.3*	26.0*	2.73
	63	26.9	17.5	19.2	20.9	22.6	24.3	2.80
	67	28.9	13.8	15.5	17.2	18.9	20.6	2.88
	71	31.0	10.1	11.8	13.5	15.2	16.9	2.96
115	59	23.6	20.2	21.9	23.7*	24.2*	24.8*	2.97
	63	25.4	16.9	18.6	20.3	22.0	23.7	3.04
	67	27.3	13.2	14.9	16.6	18.3	20.0	3.11
	71	29.2	9.5	11.2	12.9	14.6	16.3	3.19

CORRECTION FACTORS - OTHER AIRFLOWS (MULTIPLY OR ADD AS INDICATED)

AIRFLOW	975	1275	AIRFLOW	975	1275
TOTAL CAP.	X0.98	X1.01	SENS. CAP.	X0.94	X1.06
COMPR. KW	X0.99	X1.01			

VALUES AT 95/80/67 RATING CONDITIONS

GROSS CAPACITY = 32500 BTUH
AIRFLOW = 1125 CFM
COMPRESSOR POWER = 2733 WATTS
I.D. FAN POWER = 290 WATTS
O.D. FAN POWER = 227 WATTS
E.E.R. = 9.60 BTUH/WATT

NOTE: RATED WITH 25 FEET OF 7/8 SUCTION AND 3/8 LIQUID LINE

* DRY COIL CONDITION (TOTAL CAPACITY = SENSIBLE CAPACITY)
TOTAL CAPACITY AND COMP. KW ARE VALID ONLY FOR WET COIL
ALL TEMPERATURES IN DEGREES F

TTA030CD WITH TWE040CA4-B AT 1125 CFM

GROSS CAPACITY IN BTU/H x 1000

O.D. D.B.	I.D. W.B.	TOTAL CAP.	SENS. CAP. AT ENTERING D.B. TEMP.					COMPR. KW
			72	74	76	78	80	
85	59	29.4	24.8	26.8	28.9	30.0*	30.7*	2.34
	63	31.7	20.9	22.9	24.9	27.0	29.0	2.42
	67	34.0	16.5	18.5	20.6	22.6	24.6	2.50
	71	36.5	12.1	14.1	16.1	18.1	20.2	2.59
90	59	28.8	24.6	26.6	28.6	29.5*	30.2*	2.45
	63	31.0	20.6	22.6	24.6	26.7	28.7	2.53
	67	33.3	16.2	18.2	20.3	22.3	24.3	2.62
	71	35.6	11.8	13.8	15.8	17.8	19.9	2.71
95	59	28.2	24.3	26.3	28.3*	29.0*	29.7*	2.57
	63	30.3	20.3	22.3	24.4	26.4	28.4	2.65
	67	32.5	15.9	18.0	20.0	22.0	24.0	2.73
	71	34.8	11.5	13.5	15.5	17.6	19.6	2.82
100	59	27.4	23.9	26.0	27.7*	28.3*	29.0*	2.69
	63	29.4	20.0	22.0	24.0	26.0	28.1	2.77
	67	31.5	15.6	17.6	19.6	21.7	23.7	2.85
	71	33.8	11.1	13.1	15.2	17.2	19.2	2.94
105	59	26.6	23.6	25.6	27.0*	27.6*	28.3*	2.81
	63	28.5	19.6	21.6	23.7	25.7	27.7	2.89
	67	30.6	15.2	17.3	19.3	21.3	23.3	2.97
	71	32.7	10.8	12.8	14.8	16.8	18.9	3.05
115	59	25.0	22.9	25.0	25.7*	26.3*	26.9*	3.06
	63	26.8	18.9	21.0	23.0	25.0	26.9*	3.13
	67	28.7	14.5	16.6	18.6	20.6	22.6	3.20
	71	30.6	10.0	12.1	14.1	16.1	18.2	3.28

CORRECTION FACTORS - OTHER AIRFLOWS (MULTIPLY OR ADD AS INDICATED)

AIRFLOW	975	1275	AIRFLOW	975	1275
TOTAL CAP.	X0.98	X1.01	SENS. CAP.	X0.94	X1.06
COMPR. KW	X0.99	X1.01			

VALUES AT 95/80/67 RATING CONDITIONS

GROSS CAPACITY = 32500 BTUH
AIRFLOW = 1125 CFM
COMPRESSOR POWER = 2733 WATTS
I.D. FAN POWER = 290 WATTS
O.D. FAN POWER = 227 WATTS
E.E.R. = 9.60 BTUH/WATT

NOTE: RATED WITH 25 FEET OF 7/8 SUCTION AND 3/8 LIQUID LINE

* DRY COIL CONDITION (TOTAL CAPACITY = SENSIBLE CAPACITY)
TOTAL CAPACITY AND COMP. KW ARE VALID ONLY FOR WET COIL
ALL TEMPERATURES IN DEGREES F



Performance Data Cooling

Metric Units

TTA030CD00A WITH TWE030CA40B AT 1700 CMH GROSS CAPACITY IN KILOWATTS

O.D. D.B.	I.D. W.B.	TOTAL CAP.	SENS. CAP. AT ENTERING D.B. TEMP.					COMPR. KW
			22.2	23.3	24.4	25.6	26.7	
29.4	15.0	8.0	6.4	6.9	7.4	7.9	8.2*	2.27
	17.2	8.6	5.4	5.9	6.4	6.9	7.4	2.35
	19.4	9.3	4.4	4.9	5.4	5.9	6.4	2.43
	21.7	10.0	3.3	3.8	4.3	4.8	5.3	2.51
32.2	15.0	7.9	6.3	6.8	7.3	7.8	8.1*	2.38
	17.2	8.5	5.4	5.9	6.4	6.9	7.4	2.46
	19.4	9.1	4.3	4.8	5.3	5.8	6.3	2.54
	21.7	9.8	3.2	3.7	4.2	4.7	5.2	2.63
35.0	15.0	7.7	6.3	6.8	7.3	7.7*	7.9*	2.49
	17.2	8.3	5.3	5.8	6.3	6.8	7.3	2.57
	19.4	8.9	4.2	4.7	5.2	5.7	6.2	2.65
	21.7	9.6	3.1	3.6	4.1	4.6	5.1	2.74
37.8	15.0	7.5	6.2	6.7	7.2	7.6*	7.8*	2.61
	17.2	8.1	5.2	5.7	6.2	6.7	7.2	2.69
	19.4	8.7	4.1	4.6	5.1	5.6	6.1	2.77
	21.7	9.3	3.0	3.5	4.0	4.5	5.0	2.85
40.6	15.0	7.3	6.1	6.6	7.1	7.4*	7.6*	2.73
	17.2	7.9	5.1	5.6	6.1	6.6	7.1	2.80
	19.4	8.5	4.0	4.5	5.0	5.5	6.0	2.88
	21.7	9.1	3.0	3.5	4.0	4.5	5.0	2.96
46.1	15.0	6.9	5.9	6.4	6.9*	7.1*	7.3*	2.97
	17.2	7.4	5.0	5.4	5.9	6.4	6.9	3.04
	19.4	8.0	3.9	4.4	4.9	5.4	5.9	3.11
	21.7	8.6	2.8	3.3	3.8	4.3	4.8	3.19

CORRECTION FACTORS - OTHER AIRFLOWS (MULTIPLY OR ADD AS INDICATED)

AIRFLOW	975	1275	AIRFLOW	975	1275
TOTAL CAP.	X0.98	X1.01	SENS. CAP.	X0.94	X1.06
COMPR. KW	X0.99	X1.01			

VALUES AT 95/80/67 RATING CONDITIONS

GROSS CAPACITY = 8.94 KW
 AIRFLOW = 0.57 CMS
 COMPRESSOR POWER = 2653 WATTS
 I.D. FAN POWER = 430 WATTS
 O.D. FAN POWER = 227 WATTS
 EER = 8.75 BTU/WATT

NOTE: RATED WITH 7.62 METERS OF 7/8 IN. SUCTION AND 7/8 IN. LIQUID LINES

* DRY COIL CONDITION (TOTAL CAPACITY = SENSIBLE CAPACITY)
 TOTAL CAPACITY AND COMP. KW ARE VALID ONLY FOR WET COIL
 ALL TEMPERATURES IN DEGREES F

TTA030CD00A WITH TWE040CA40C AT 1911 CMH GROSS CAPACITY IN KILOWATTS

O.D. D.B.	I.D. W.B.	TOTAL CAP.	SENS. CAP. AT ENTERING D.B. TEMP.					COMPR. KW
			22.2	23.3	24.4	25.6	26.7	
29.4	15.0	8.6	7.3	7.9	8.5	8.8*	9.0*	2.34
	17.2	9.3	6.1	6.7	7.3	7.9	8.5	2.42
	19.4	10.0	4.8	5.4	6.0	6.6	7.2	2.50
	21.7	10.7	3.5	4.1	4.7	5.3	5.9	2.59
32.2	15.0	8.4	7.2	7.8	8.4	8.6*	8.8*	2.45
	17.2	9.1	6.0	6.6	7.2	7.8	8.4	2.53
	19.4	9.8	4.7	5.3	5.9	6.5	7.1	2.62
	21.7	10.4	3.5	4.0	4.6	5.2	5.8	2.71
35.0	15.0	8.3	7.1	7.7	8.3*	8.5*	8.7*	2.57
	17.2	8.9	5.9	6.5	7.1	7.7	8.3	2.65
	19.4	9.5	4.7	5.3	5.9	6.4	7.0	2.73
	21.7	10.2	3.4	4.0	4.5	5.2	5.7	2.82
37.8	15.0	8.0	7.0	7.6	8.1*	8.3*	8.5*	2.69
	17.2	8.6	5.9	6.4	7.0	7.6	8.2	2.77
	19.4	9.2	4.6	5.2	5.7	6.4	6.9	2.85
	21.7	9.9	3.3	3.8	4.5	5.0	5.6	2.94
40.6	15.0	7.8	6.9	7.5	7.9*	8.1*	8.3*	2.81
	17.2	8.4	5.7	6.3	6.9	7.5	8.1	2.89
	19.4	9.0	4.5	5.1	5.7	6.2	6.8	2.97
	21.7	9.6	3.2	3.8	4.3	4.9	5.5	3.05
46.1	15.0	7.3	6.7	7.3	7.5*	7.7*	7.9*	3.06
	17.2	7.9	5.5	6.2	6.7	7.3	7.9*	3.13
	19.4	8.4	4.2	4.9	5.4	6.0	6.6	3.20
	21.7	9.0	2.9	3.5	4.1	4.7	5.3	3.28

CORRECTION FACTORS - OTHER AIRFLOWS (MULTIPLY OR ADD AS INDICATED)

AIRFLOW	975	1275	AIRFLOW	975	1275
TOTAL CAP.	X0.98	X1.01	SENS. CAP.	X0.94	X1.06
COMPR. KW	X0.99	X1.01			

VALUES AT 95/80/67 RATING CONDITIONS

GROSS CAPACITY = 9.5 KW
 AIRFLOW = 1913 CMH
 COMPRESSOR POWER = 2653 WATTS
 I.D. FAN POWER = 430 WATTS
 O.D. FAN POWER = 227 WATTS
 EER = 8.75 BTU/WATT

NOTE: RATED WITH 7.62 METERS OF 7/8 IN. SUCTION AND 7/8 IN. LIQUID LINES

* DRY COIL CONDITION (TOTAL CAPACITY = SENSIBLE CAPACITY)
 TOTAL CAPACITY AND COMP. KW ARE VALID ONLY FOR WET COIL
 ALL TEMPERATURES IN DEGREES F



Performance Data Cooling

English Units

TTA040CD WITH TWE040CA4B AT 1325 CFM

GROSS CAPACITY IN BTU/H x 1000

O.D. D.B.	I.D. W.B.	GROSS CAP.	SENS. CAP. AT ENTERING D.B. TEMP.					COMPR. KW
			72	74	76	78	80	
85	59	36.9	29.5	31.8	34.1	36.4	37.7*	3.24
	63	39.7	25.0	27.3	29.6	31.9	34.2	3.37
	67	42.6	20.0	22.3	24.6	26.9	29.3	3.51
	71	45.6	14.9	17.2	19.6	21.9	24.2	3.64
90	59	36.2	29.2	31.5	33.8	36.1	37.1*	3.39
	63	38.9	24.7	27.0	29.3	31.6	33.9	3.53
	67	41.7	19.7	22.0	24.3	26.6	28.9	3.66
	71	44.6	14.6	16.9	19.2	21.5	23.8	3.81
95	59	35.4	28.9	31.2	33.5	35.6*	36.5*	3.54
	63	38.0	24.3	26.6	29.0	31.3	33.6	3.68
	67	40.8	19.3	21.7	24.0	26.3	28.6	3.82
	71	43.6	14.2	16.6	18.9	21.2	23.5	3.97
100	59	34.5	28.5	30.8	33.1	34.9*	35.7*	3.70
	63	37.0	23.9	26.2	28.5	30.9	33.2	3.84
	67	39.7	18.9	21.2	23.5	25.9	28.2	3.99
	71	42.4	13.8	16.1	18.4	20.7	23.1	4.14
105	59	33.5	28.1	30.4	32.7	34.1*	34.9*	3.85
	63	36.0	23.5	25.8	28.1	30.4	32.8	4.00
	67	38.6	18.5	20.8	23.1	25.4	27.7	4.15
	71	41.2	13.4	15.7	18.0	20.3	22.6	4.31
115	59	31.6	27.3	29.6	31.8*	32.5*	33.3*	4.17
	63	33.9	22.7	25.0	27.3	29.6	31.9	4.32
	67	36.3	17.7	20.0	22.3	24.6	26.9	4.48
	71	38.8	12.6	14.9	17.2	19.5	21.8	4.65

CORRECTION FACTORS - OTHER AIRFLOWS (MULTIPLY OR ADD AS INDICATED)

AIRFLOW	1150	1500	AIRFLOW	1150	1500
TOTAL CAP.	X0.98	X1.02	SENS. CAP.	X0.94	X1.06
COMPR. KW	X0.99	X1.01			

VALUES AT 95/80/67 RATING CONDITIONS

GROSS CAPACITY = 40800 BTUH
AIRFLOW = 1325 CFM
COMPRESSOR POWER = 3820 WATTS
I.D. FAN POWER = 380 WATTS
O.D. FAN POWER = 197 WATTS
E.E.R. = 9.00 BTUH/WATT

NOTE: RATED WITH 25 FEET OF 1-1/8" SUCTION AND 3/8" LIQUID LINE

* DRY COIL CONDITION (TOTAL CAPACITY = SENSIBLE CAPACITY)
TOTAL CAPACITY AND COMP. KW ARE VALID ONLY FOR WET COIL
ALL TEMPERATURES IN DEGREES F

TTA040CD WITH TWE050CA5C AT 1600 CFM

GROSS CAPACITY IN BTU/H x 1000

O.D. D.B.	I.D. W.B.	GROSS CAP.	SENS. CAP. AT ENTERING D.B. TEMP.					COMPR. KW
			72	74	76	78	80	
85	59	40.5	34.2	37.0	39.9	41.3*	42.2*	3.16
	63	43.4	28.6	31.5	34.3	37.1	39.9	3.29
	67	46.4	22.5	25.3	28.1	31.0	33.8	3.43
	71	49.5	16.2	19.1	21.9	24.7	27.5	3.57
90	59	39.4	33.8	36.6	39.4	40.4*	41.3*	3.29
	63	42.2	28.2	31.0	33.8	36.7	39.5	3.42
	67	45.1	22.0	24.9	27.7	30.5	33.3	3.57
	71	48.2	15.8	18.6	21.4	24.2	27.1	3.71
95	59	38.4	33.3	36.2	38.7*	39.6*	40.4*	3.42
	63	41.1	27.7	30.6	33.4	36.2	39.0	3.56
	67	43.9	21.6	24.4	27.2	30.0	32.9	3.70
	71	46.8	15.3	18.1	21.0	23.8	26.6	3.85
100	59	37.3	32.9	35.7	37.7*	38.6*	39.5*	3.55
	63	39.9	27.3	30.1	32.9	35.7	38.5	3.69
	67	42.6	21.1	23.9	26.7	29.6	32.4	3.84
	71	45.4	14.8	17.7	20.5	23.3	26.1	4.00
105	59	36.1	32.4	35.2	36.8*	37.7*	38.5*	3.69
	63	38.7	26.8	29.6	32.4	35.2	38.1	3.83
	67	41.3	20.6	23.5	26.3	29.1	31.9	3.98
	71	44.0	14.4	17.2	20.0	22.8	25.6	4.14
115	59	33.9	31.5	34.1*	34.9*	35.7*	36.5*	3.96
	63	36.2	25.8	28.7	31.5	34.3	36.5*	4.11
	67	38.7	19.7	22.5	25.3	28.1	31.0	4.26
	71	41.2	13.4	16.2	19.1	21.9	24.7	4.42

CORRECTION FACTORS - OTHER AIRFLOWS (MULTIPLY OR ADD AS INDICATED)

AIRFLOW	1375	1775	AIRFLOW	1375	1775
TOTAL CAP.	X0.98	X1.01	SENS. CAP.	X0.93	X1.05
COMPR. KW	X0.99	X1.01			

VALUES AT 95/80/67 RATING CONDITIONS

GROSS CAPACITY = 43900 BTUH
AIRFLOW = 1570 CFM
COMPRESSOR POWER = 3720 WATTS
I.D. FAN POWER = 530 WATTS
O.D. FAN POWER = 197 WATTS
E.E.R. = 9.45 BTUH/WATT

NOTE: RATED WITH 25 FEET OF 1-1/8" SUCTION AND 3/8" LIQUID LINE

* DRY COIL CONDITION (TOTAL CAPACITY = SENSIBLE CAPACITY)
TOTAL CAPACITY AND COMP. KW ARE VALID ONLY FOR WET COIL
ALL TEMPERATURES IN DEGREES F



Performance Data Cooling

Metric Units

TTA040CD00A WITH TWE040CA40C AT 2250 CMH GROSS CAPACITY IN KILOWATTS

O.D. D.B.	I.D. W.B.	TOTAL CAP.	SENS. CAP. AT ENTERING D.B. TEMP.					COMPR. KW
			22.2	23.3	24.4	25.6	26.7	
29.4	15.0	10.8	8.6	9.3	10.0	10.7	11.0*	3.24
	17.2	11.6	7.3	8.0	8.7	9.3	10.0	3.37
	19.4	12.5	5.9	6.5	7.2	7.9	8.6	3.51
	21.7	13.4	4.4	5.0	5.7	6.4	7.1	3.64
32.2	15.0	10.6	8.6	9.2	9.9	10.6	10.9*	3.39
	17.2	11.4	7.2	7.9	8.6	9.3	9.9	3.53
	19.4	12.2	5.8	6.4	7.1	7.8	8.5	3.66
	21.7	13.1	4.3	5.0	5.6	6.3	7.0	3.81
35.0	15.0	10.4	8.5	9.1	9.8	10.4*	10.7*	3.54
	17.2	11.1	7.1	7.8	8.5	9.2	9.8	3.68
	19.4	12.0	5.7	6.4	7.0	7.7	8.4	3.82
	21.7	12.8	4.2	4.9	5.5	6.2	6.9	3.97
37.8	15.0	10.1	8.4	9.0	9.7	10.2*	10.5*	3.70
	17.2	10.8	7.0	7.7	8.4	9.1	9.7	3.84
	19.4	11.6	5.5	6.2	6.9	7.6	8.3	3.99
	21.7	12.4	4.0	4.7	5.4	6.1	6.8	4.14
40.6	15.0	9.8	8.2	8.9	9.6*	10.0*	10.2*	3.85
	17.2	10.5	6.9	7.6	8.2	8.9	9.6	4.00
	19.4	11.3	5.4	6.1	6.8	7.4	8.1	4.15
	21.7	12.1	3.9	4.6	5.3	5.9	6.6	4.31
46.1	15.0	9.3	8.0	8.7	9.3*	9.5*	9.8*	4.17
	17.2	9.9	6.7	7.3	8.0	8.7	9.3	4.32
	19.4	10.6	5.2	5.9	6.5	7.2	7.9	4.48
	21.7	11.4	3.7	4.4	5.0	5.7	6.4	4.65

CORRECTION FACTORS - OTHER AIRFLOWS (MULTIPLY OR ADD AS INDICATED)

AIRFLOW	1150	1500	AIRFLOW	1150	1500
TOTAL CAP.	X0.98	X1.02	SENS. CAP.	X0.94	X1.06
COMPR. KW	X0.99	X1.01			

VALUES AT 95/80/67 RATING CONDITIONS

GROSS CAPACITY = 12.0 KW
 AIRFLOW = 2253 CMS
 COMPRESSOR POWER = 3820 WATTS
 I.D. FAN POWER = 380 WATTS
 O.D. FAN POWER = 197 WATTS
 EER = 9.00 BTU/WATT

NOTE: RATED WITH 7.62 METERS OF 1-1/8 IN. SUCTION AND 3/8 IN. LIQUID LINES

* DRY COIL CONDITION (TOTAL CAPACITY = SENSIBLE CAPACITY)
 TOTAL CAPACITY AND COMP. KW ARE VALID ONLY FOR WET COIL
 ALL TEMPERATURES IN DEGREES F

TTA040CD00A WITH TWE050CA50D AT 2717 CMH GROSS CAPACITY IN KILOWATTS

O.D. D.B.	I.D. W.B.	TOTAL CAP.	SENS. CAP. AT ENTERING D.B. TEMP.					COMPR. KW
			22.2	23.3	24.4	25.6	26.7	
29.4	15.0	11.9	10.0	10.8	11.7	12.1*	12.4*	3.16
	17.2	12.7	8.4	9.2	10.0	10.9	11.7	3.29
	19.4	13.6	6.6	7.4	8.2	9.1	9.9	3.43
	21.7	14.5	4.7	5.6	6.4	7.2	8.1	3.57
32.2	15.0	11.5	9.9	10.7	11.5	11.8*	12.1*	3.29
	17.2	12.4	8.3	9.1	9.9	10.8	11.6	3.42
	19.4	13.2	6.4	7.3	8.1	8.9	9.8	3.57
	21.7	14.1	4.6	5.4	6.3	7.1	7.9	3.71
35.0	15.0	11.3	9.8	10.6	11.3*	11.6*	11.8*	3.42
	17.2	12.0	8.1	9.0	9.8	10.6	11.4	3.56
	19.4	12.9	6.3	7.1	8.0	8.8	9.6	3.70
	21.7	13.7	4.5	5.3	6.2	7.0	7.8	3.85
37.8	15.0	10.9	9.6	10.5	11.0*	11.3*	11.6*	3.55
	17.2	11.7	8.0	8.8	9.6	10.5	11.3	3.69
	19.4	12.5	6.2	7.0	7.8	8.7	9.5	3.84
	21.7	13.3	4.3	5.2	6.0	6.8	7.6	4.00
40.6	15.0	10.6	9.5	10.3	10.8*	11.0*	11.3*	3.69
	17.2	11.3	7.9	8.7	9.5	10.3	11.2	3.83
	19.4	12.1	6.0	6.9	7.7	8.5	9.3	3.98
	21.7	12.9	4.2	5.0	5.9	6.7	7.5	4.14
46.1	15.0	9.9	9.2	10.0*	10.2*	10.5*	10.7*	3.96
	17.2	10.6	7.6	8.4	9.2	10.0	10.7	4.11
	19.4	11.3	5.8	6.6	7.4	8.2	9.1	4.26
	21.7	12.1	3.9	4.7	5.6	6.4	7.2	4.42

CORRECTION FACTORS - OTHER AIRFLOWS (MULTIPLY OR ADD AS INDICATED)

AIRFLOW	1375	1775	AIRFLOW	1375	1775
TOTAL CAP.	X0.98	X1.01	SENS. CAP.	X0.93	X1.05
COMPR. KW	X0.99	X1.01			

VALUES AT 95/80/67 RATING CONDITIONS

GROSS CAPACITY = 12.0 KW
 AIRFLOW = 2253 CMS
 COMPRESSOR POWER = 3720 WATTS
 I.D. FAN POWER = 380 WATTS
 O.D. FAN POWER = 197 WATTS
 EER = 9.00 BTU/WATT

NOTE: RATED WITH 7.62 METERS OF 1-1/8 IN. SUCTION AND 3/8 IN. LIQUID LINES

* DRY COIL CONDITION (TOTAL CAPACITY = SENSIBLE CAPACITY)
 TOTAL CAPACITY AND COMP. KW ARE VALID ONLY FOR WET COIL
 ALL TEMPERATURES IN DEGREES F



Performance Data Cooling

English Units

TTA050CD WITH TWE050CA5C AT 1800 CFM

GROSS CAPACITY IN BTU/H x 1000

O.D. D.B.	I.D. W.B.	GROSS CAP.	SENS. CAP. AT ENTERING D.B. TEMP.					COMPR. KW
			72	74	76	78	80	
85	59	48.8	39.4	42.5	45.6	48.7	49.9*	3.62
	63	52.1	33.2	36.3	39.4	42.5	45.6	3.75
	67	55.5	26.3	29.4	32.5	35.6	38.7	3.89
	71	59.0	19.3	22.4	25.5	28.6	31.7	4.03
90	59	47.6	38.9	42.0	45.1	47.9*	48.9*	3.77
	63	50.8	32.7	35.8	38.9	42.0	45.1	3.91
	67	54.1	25.8	28.9	32.0	35.1	38.2	4.05
	71	57.5	18.8	21.9	25.0	28.1	31.2	4.19
95	59	46.4	38.4	41.5	44.6	47.0*	47.9*	3.93
	63	49.5	32.1	35.3	38.4	41.5	44.6	4.07
	67	52.7	25.3	28.4	31.5	34.6	37.7	4.21
	71	56.0	18.3	21.4	24.5	27.6	30.7	4.35
100	59	45.1	37.8	40.9	44.0	45.9*	46.8*	4.09
	63	48.1	31.6	34.7	37.8	40.9	44.0	4.23
	67	51.2	24.7	27.8	30.9	34.0	37.1	4.37
	71	54.4	17.7	20.8	23.9	27.0	30.1	4.51
105	59	43.8	37.3	40.4	43.5	44.8*	45.7*	4.25
	63	46.7	31.0	34.1	37.2	40.3	43.4	4.38
	67	49.6	24.2	27.3	30.4	33.5	36.6	4.52
	71	52.7	17.2	20.3	23.4	26.5	29.6	4.67
115	59	41.2	36.2	39.3	41.6*	42.5*	43.4*	4.57
	63	43.8	29.9	33.0	36.1	39.2	42.3	4.71
	67	46.6	23.0	26.1	29.2	32.3	35.4	4.84
	71	49.4	16.1	19.2	22.3	25.4	28.5	4.98

CORRECTION FACTORS - OTHER AIRFLOWS (MULTIPLY OR ADD AS INDICATED)

AIRFLOW	1525	1975	AIRFLOW	1525	1975
TOTAL CAP.	X0.98	X1.01	SENS. CAP.	X0.93	X1.04
COMPR. KW	X0.99	X1.01			

VALUES AT 95/80/67 RATING CONDITIONS

GROSS CAPACITY = 52500 BTUH
AIRFLOW = 1750 CFM
COMPRESSOR POWER = 4202 WATTS
I.D. FAN POWER = 730 WATTS
O.D. FAN POWER = 202 WATTS
E.E.R. = 9.75 BTUH/WATT

NOTE: RATED WITH 25 FEET OF 1-1/8 SUCTION AND 3/8 LIQUID LINE

* DRY COIL CONDITION (TOTAL CAPACITY = SENSIBLE CAPACITY)
TOTAL CAPACITY AND COMP. KW ARE VALID ONLY FOR WET COIL
ALL TEMPERATURES IN DEGREES F

TTA060CD WITH TWE050CA5C AT 1800 CFM

GROSS CAPACITY IN BTU/H x 1000

O.D. D.B.	I.D. W.B.	GROSS CAP.	SENS. CAP. AT ENTERING D.B. TEMP.					COMPR. KW
			72	74	76	78	80	
85	59	57.5	43.6	46.8	49.9	53.0	56.2	4.71
	63	61.6	37.4	40.6	43.7	46.8	50.0	4.87
	67	65.8	30.6	33.7	36.8	40.0	43.1	5.04
	71	70.2	23.5	26.7	29.8	32.9	36.1	5.22
90	59	56.2	43.0	46.2	49.3	52.5	55.6	4.90
	63	60.2	36.9	40.0	43.1	46.3	49.4	5.06
	67	64.3	30.0	33.1	36.2	39.4	42.5	5.23
	71	68.6	22.9	26.1	29.2	32.3	35.5	5.40
95	59	54.9	42.5	45.6	48.7	51.9	55.0*	5.09
	63	58.8	36.3	39.4	42.5	45.7	48.8	5.25
	67	62.8	29.4	32.5	35.7	38.8	41.9	5.42
	71	66.9	22.3	25.5	28.6	31.7	34.9	5.59
100	59	53.5	41.9	45.0	48.1	51.3	54.0*	5.31
	63	57.3	35.7	38.8	41.9	45.1	48.2	5.47
	67	61.2	28.8	31.9	35.0	38.2	41.3	5.63
	71	65.2	21.7	24.9	28.0	31.1	34.3	5.79
105	59	52.2	41.3	44.4	47.5	50.7	52.9*	5.53
	63	55.8	35.0	38.2	41.3	44.5	47.6	5.68
	67	59.6	28.2	31.3	34.4	37.6	40.7	5.84
	71	63.5	21.1	24.2	27.4	30.5	33.7	6.00
115	59	49.4	40.1	43.2	46.3	49.4*	50.6*	5.98
	63	52.8	33.8	37.0	40.1	43.2	46.4	6.12
	67	56.4	26.9	30.1	33.2	36.3	39.5	6.26
	71	60.0	19.9	23.0	26.2	29.3	32.4	6.41

CORRECTION FACTORS - OTHER AIRFLOWS (MULTIPLY OR ADD AS INDICATED)

AIRFLOW	1525	1975	AIRFLOW	1525	1975
TOTAL CAP.	X0.98	X1.01	SENS. CAP.	X0.94	X1.04
COMPR. KW	X0.98	X1.01			

VALUES AT 95/80/67 RATING CONDITIONS

GROSS CAPACITY = 62500 BTUH
AIRFLOW = 1750 CFM
COMPRESSOR POWER = 5402 WATTS
I.D. FAN POWER = 730 WATTS
O.D. FAN POWER = 386 WATTS
E.E.R. = 9.15 BTUH/WATT

NOTE: RATED WITH 25 FEET OF 1-1/8 SUCTION AND 3/8 LIQUID LINE

* DRY COIL CONDITION (TOTAL CAPACITY = SENSIBLE CAPACITY)
TOTAL CAPACITY AND COMP. KW ARE VALID ONLY FOR WET COIL
ALL TEMPERATURES IN DEGREES F



Performance Data Cooling

Metric Units

TTA050CD WITH TWE050CA5C AT 3056 CMH GROSS CAPACITY IN KILOWATTS

O.D. D.B.	I.D. W.B.	TOTAL CAP.	SENS. CAP. AT ENTERING D.B. TEMP.					COMPR. KW
			22.2	23.3	24.4	25.6	26.7	
29.4	15.0	14.3	11.5	12.5	13.4	14.3	14.6*	3.62
	17.2	15.3	9.7	10.6	11.5	12.5	13.4	3.75
	19.4	16.3	7.7	8.6	9.5	10.4	11.3	3.89
	21.7	17.3	5.7	6.6	7.5	8.4	9.3	4.03
32.2	15.0	13.9	11.4	12.3	13.2	14.0*	14.3*	3.77
	17.2	14.9	9.6	10.5	11.4	12.3	13.2	3.91
	19.4	15.9	7.6	8.5	9.4	10.3	11.2	4.05
	21.7	16.8	5.5	6.4	7.3	8.2	9.1	4.19
35.0	15.0	13.6	11.3	12.2	13.1	13.8*	14.0*	3.93
	17.2	14.5	9.4	10.3	11.3	12.2	13.1	4.07
	19.4	15.4	7.4	8.3	9.2	10.1	11.0	4.21
	21.7	16.4	5.4	6.3	7.2	8.1	9.0	4.35
37.8	15.0	13.2	11.1	12.0	12.9	13.4*	13.7*	4.09
	17.2	14.1	9.3	10.2	11.1	12.0	12.9	4.23
	19.4	15.0	7.2	8.1	9.1	10.0	10.9	4.37
	21.7	15.9	5.2	6.1	7.0	7.9	8.8	4.51
40.6	15.0	12.8	10.9	11.8	12.7	13.1*	13.4*	4.25
	17.2	13.7	9.1	10.0	10.9	11.8	12.7	4.38
	19.4	14.5	7.1	8.0	8.9	9.8	10.7	4.52
	21.7	15.4	5.0	5.9	6.9	7.8	8.7	4.67
46.1	15.0	12.1	10.6	11.5	12.2*	12.5*	12.7*	4.57
	17.2	12.8	8.8	9.7	10.6	11.5	12.4	4.71
	19.4	13.7	6.7	7.6	8.6	9.5	10.4	4.84
	21.7	14.5	4.7	5.6	6.5	7.4	8.4	4.98

CORRECTION FACTORS - OTHER AIRFLOWS (MULTIPLY OR ADD AS INDICATED)

AIRFLOW	1525	1975	AIRFLOW	1525	1975
TOTAL CAP.	X0.98	X1.01	SENS. CAP.	X0.93	X1.04
COMPR. KW	X0.99	X1.01			

VALUES AT 95/80/67 RATING CONDITIONS

GROSS CAPACITY = 14.6 KW
AIRFLOW = 3056 CMH
COMPRESSOR POWER = 4202 WATTS
I.D. FAN POWER = 730 WATTS
O.D. FAN POWER = 202 WATTS
EER = 9.75 BTU/WATT

NOTE: RATED WITH 7.62 METERS OF 1-1/8 IN. SUCTION AND 3/8 IN. LIQUID LINES

* DRY COIL CONDITION (TOTAL CAPACITY = SENSIBLE CAPACITY)
TOTAL CAPACITY AND COMP. KW ARE VALID ONLY FOR WET COIL
ALL TEMPERATURES IN DEGREES F

TTA060CD WITH TWE050CA5C AT 3056 CMH GROSS CAPACITY IN KILOWATTS

O.D. D.B.	I.D. W.B.	TOTAL CAP.	SENS. CAP. AT ENTERING D.B. TEMP.					COMPR. KW
			22.2	23.3	24.4	25.6	26.7	
29.4	15.0	16.8	12.8	13.7	14.6	15.5	16.5	4.71
	17.2	18.0	11.0	11.9	12.8	13.7	14.7	4.87
	19.4	19.3	9.0	9.9	10.8	11.7	12.6	5.04
	21.7	20.6	6.9	7.8	8.7	9.6	10.6	5.22
32.2	15.0	16.5	12.6	13.5	14.4	15.4	16.3	4.90
	17.2	17.6	10.8	11.7	12.6	13.6	14.5	5.06
	19.4	18.8	8.8	9.7	10.6	11.5	12.5	5.23
	21.7	20.1	6.7	7.6	8.6	9.5	10.4	5.40
35.0	15.0	16.1	12.5	13.4	14.3	15.2	16.1*	5.09
	17.2	17.2	10.6	11.5	12.5	13.4	14.3	5.25
	19.4	18.4	8.6	9.5	10.5	11.4	12.3	5.42
	21.7	19.6	6.5	7.5	8.4	9.3	10.2	5.59
37.8	15.0	15.7	12.3	13.2	14.1	15.0	15.8*	5.31
	17.2	16.8	10.5	11.4	12.3	13.2	14.1	5.47
	19.4	17.9	8.4	9.3	10.3	11.2	12.1	5.63
	21.7	19.1	6.4	7.3	8.2	9.1	10.0	5.79
40.6	15.0	15.3	12.1	13.0	13.9	14.9	15.5*	5.53
	17.2	16.3	10.3	11.2	12.1	13.0	13.9	5.68
	19.4	17.5	8.3	9.2	10.1	11.0	11.9	5.84
	21.7	18.6	6.2	7.1	8.0	8.9	9.9	6.00
46.1	15.0	14.5	11.7	12.7	13.6	14.5*	14.8*	5.98
	17.2	15.5	9.9	10.8	11.7	12.7	13.6	6.12
	19.4	16.5	7.9	8.8	9.7	10.6	11.6	6.26
	21.7	17.6	5.8	6.7	7.7	8.6	9.5	6.41

CORRECTION FACTORS - OTHER AIRFLOWS (MULTIPLY OR ADD AS INDICATED)

AIRFLOW	1525	1975	AIRFLOW	1525	1975
TOTAL CAP.	X0.98	X1.01	SENS. CAP.	X0.94	X1.04
COMPR. KW	X0.98	X1.01			

VALUES AT 95/80/67 RATING CONDITIONS

GROSS CAPACITY = 14.6 KW
AIRFLOW = 3056 CMH
COMPRESSOR POWER = 4202 WATTS
I.D. FAN POWER = 730 WATTS
O.D. FAN POWER = 202 WATTS
EER = 9.75 BTU/WATT

NOTE: RATED WITH 7.62 METERS OF 1-1/8 IN. SUCTION AND 3/8 IN. LIQUID LINES

* DRY COIL CONDITION (TOTAL CAPACITY = SENSIBLE CAPACITY)
TOTAL CAPACITY AND COMP. KW ARE VALID ONLY FOR WET COIL
ALL TEMPERATURES IN DEGREES F



Performance Data

Evaporator Fan Performance

BLOWER PERFORMANCE — TWE030CA40B — WET COIL

EXTERNAL STATIC PRESSURE INCHES OF WATER (PASCALS)								
UPFLOW & DOWNFLOW (See Notes)					HORIZONTAL; NO FILTER (See Notes)			
220 VOLTS								
CFM	CMH	HI	MED	LO	HI	MED	LO	
600	1018.8			0.72 (179.4)				0.71 (176.9)
650	1103.7			0.62 (154.4)				0.61 (152.0)
700	1188.6		0.86 (214.2)	0.51 (127.0)		0.84 (209.2)	0.50 (124.6)	
750	1273.5		0.75 (186.8)	0.40 (99.6)		0.72 (179.4)	0.39 (97.1)	
800	1358.4	0.89 (221.7)	0.65 (161.9)	0.29 (72.2)	0.87 (216.7)	0.62 (154.4)	0.28 (69.7)	
850	1443.3	0.81 (201.8)	0.54 (134.5)	0.18 (44.8)	0.79 (196.8)	0.51 (127.0)	0.17 (42.3)	
900	1528.2	0.72 (179.4)	0.43 (107.1)	0.06 (14.9)	0.69 (171.9)	0.40 (99.6)	0.08 (19.9)	
950	1613.1	0.63 (156.9)	0.32 (79.7)		0.61 (152.0)	0.30 (74.7)		
1000	1698.0	0.53 (132.0)	0.21 (52.3)		0.51 (127.0)	0.17 (42.3)		
1050	1782.9	0.42 (104.6)	0.10 (24.9)		0.40 (99.6)	0.02 (5.0)		
1100	1867.8	0.31 (77.2)			0.31 (77.2)			
1150	1952.7	0.20 (49.8)			0.22 (54.8)			
1200	2037.6	0.08 (19.9)			0.10 (24.9)			

NOTES:

Vertical: With filter, no horizontal drip tray. Subtract 0.06" W.G. for downflow.
Horizontal: As shipped, but without filter. Subtract 0.05" W.G. for horizontal left.

BLOWER PERFORMANCE — TWE040CA40C — WET COIL

EXTERNAL STATIC PRESSURE INCHES OF WATER (PASCALS)								
UPFLOW & DOWNFLOW (See Notes)					HORIZONTAL; NO FILTER (See Notes)			
220 VOLTS								
CFM	CMH	HI	MED	LO	HI	MED	LO	
700	1188.6		0.58 (144.5)					
750	1273.5		0.61 (152.0)	0.55 (137.0)				
800	1358.4	0.61 (152.0)	0.58 (144.5)	0.52 (129.5)			0.58 (144.5)	
850	1443.3	0.57 (142.0)	0.54 (134.5)	0.48 (119.6)			0.52 (129.5)	
900	1528.2	0.53 (132.0)	0.51 (127.0)	0.44 (109.6)			0.49 (122.1)	
950	1613.1	0.49 (122.1)	0.47 (117.1)	0.40 (99.6)		0.57 (142.0)	0.45 (112.1)	
1000	1698.0	0.45 (112.1)	0.43 (107.1)	0.34 (84.7)	0.53 (132.0)	0.50 (124.6)	0.40 (99.6)	
1050	1782.9	0.40 (99.6)	0.38 (94.7)	0.28 (69.7)	0.48 (119.6)	0.45 (112.1)	0.35 (87.2)	
1100	1867.8	0.36 (89.7)	0.34 (84.7)	0.22 (54.8)	0.43 (107.1)	0.40 (99.6)	0.30 (74.7)	
1150	1952.7	0.31 (77.2)	0.29 (72.2)	0.15 (37.4)	0.39 (97.1)	0.37 (92.2)	0.22 (54.8)	
1200	2037.6	0.26 (64.8)	0.24 (59.8)	0.08 (19.9)	0.35 (87.2)	0.32 (79.7)	0.17 (42.3)	
1250	2122.5	0.21 (52.3)	0.18 (44.8)	0.00 (0.0)	0.31 (77.2)	0.28 (69.7)	0.10 (24.9)	
1300	2207.4	0.17 (42.3)	0.13 (32.4)	0.26 (64.8)	0.22 (54.8)	0.01 (2.5)		
1350	2292.3	0.11 (27.4)	0.07 (17.4)		0.21 (52.3)	0.18 (44.8)		
1400	2377.2	0.06 (14.9)	0.01 (2.5)		0.15 (37.4)	0.12 (29.9)		
1450	2462.1	0.01 (2.5)			0.11 (27.4)	0.08 (19.9)		
1500	2547.0	0.00			0.05 (12.5)	0.02 (5.0)		

NOTES:

Vertical: With filter, no horizontal drip tray. Small apex baffle. Subtract 0.06" W.G. for downflow.
Horizontal: As shipped, but without filter. Subtract 0.05" W.G. for horizontal left.



Performance Data

BLOWER PERFORMANCE — TWE050CA50D — WET COIL

		EXTERNAL STATIC PRESSURE INCHES OF WATER (PASCALS)						
		UPFLOW & DOWNFLOW (See Notes)			HORIZONTAL; NO FILTER (See Notes)			
		220 VOLTS			220 VOLTS			
CFM	CMH	HI	MED	LO	HI	MED	LO	
900	1528.2							
950	1613.1			0.63 (156.9)				
1000	1698.0			0.61 (152.0)			0.62 (154.4)	
1050	1782.9			0.58 (144.5)			0.60 (149.5)	
1100	1867.8			0.54 (134.5)			0.57 (142.0)	
1150	1952.7			0.50 (124.6)			0.53 (132.0)	
1200	2037.6			0.45 (112.1)			0.49 (122.1)	
1250	2122.5		0.61 (152.0)	0.39 (97.1)		0.64 (159.4)	0.44 (109.6)	
1300	2207.4	0.59 (147.0)	0.57 (142.0)	0.33 (82.2)	0.62 (154.4)	0.61 (152.0)	0.38 (94.7)	
1350	2292.3	0.56 (139.5)	0.53 (132.0)	0.26 (64.8)	0.59 (147.0)	0.58 (144.5)	0.32 (79.7)	
1400	2377.2	0.52 (129.5)	0.49 (122.1)	0.18 (44.8)	0.56 (139.5)	0.55 (137.0)	0.25 (62.3)	
1450	2462.1	0.48 (119.6)	0.45 (112.1)	0.10 (24.9)	0.52 (129.5)	0.52 (129.5)	0.18 (44.8)	
1500	2547.0	0.44 (109.6)	0.40 (99.6)	0.01 (2.5)	0.49 (122.1)	0.48 (119.6)	0.11 (27.4)	
1550	2631.9	0.40 (99.6)	0.35 (87.2)		0.47 (117.1)	0.44 (109.6)	0.00 (0.0)	
1600	2716.8	0.35 (87.2)	0.30 (74.7)		0.45 (112.1)	0.40 (99.6)		
1650	2801.7	0.31 (77.2)	0.25 (62.3)		0.41 (102.1)	0.35 (87.2)		
1700	2886.6	0.26 (64.8)	0.20 (49.8)		0.36 (89.7)	0.28 (69.7)		
1750	2971.5	0.21 (52.3)	0.14 (34.9)		0.30 (74.7)	0.20 (49.8)		
1800	3056.4	0.16 (39.9)	0.08 (19.9)		0.24 (59.8)	0.13 (32.4)		
1850	3141.3	0.11 (27.4)	0.02 (5.0)		0.17 (42.3)	0.07 (17.4)		
1900	3226.2	0.05 (12.5)			0.10 (24.9)	0.01 (2.5)		
1950	3311.1				0.02 (5.0)			

NOTES:

Vertical: With filter, no horizontal drip tray. Small apex baffle
 Subtract 0.06" W.G. for downflow.

Horizontal: As shipped, but without filter. Subtract 0.05" W.G for horizontal left.



Performance Data

Air Pressure Drop (Inches) - Electric Heaters

PRESSURE DROP FOR ELECTRIC HEATERS IN AIR HANDLER MODELS

		NUMBER OF RACKS									
		1		2		3		4		5	
AIRFLOW CFM	AIRFLOW CMH	AIR PRESSURE DROP IN. W.G. (PASCALS)									
600	1018.8	0.01	(2.5)	0.02	(5.0)	0.02	(5.0)				
700	1188.6	0.01	(2.5)	0.02	(5.0)	0.02	(5.0)				
800	1358.4	0.02	(5.0)	0.03	(7.5)	0.03	(7.5)	0.04	(10.0)		
900	1528.2	0.03	(7.5)	0.03	(7.5)	0.04	(10.0)	0.05	(12.5)		
1000	1698.0	0.04	(10.0)	0.04	(10.0)	0.05	(12.5)	0.06	(14.9)		
1100	1867.8	0.04	(10.0)	0.05	(12.5)	0.06	(14.9)	0.07	(17.4)	0.08	(19.9)
1200	2037.6	0.05	(12.5)	0.06	(14.9)	0.07	(17.4)	0.08	(19.9)	0.09	(22.4)
1300	2207.4	0.06	(14.9)	0.07	(17.4)	0.08	(19.9)	0.09	(22.4)	0.11	(27.4)
1400	2377.2	0.07	(17.4)	0.08	(19.9)	0.10	(24.9)	0.11	(27.4)	0.13	(32.4)
1500	2547.0	0.08	(19.9)	0.09	(22.4)	0.11	(27.4)	0.13	(32.4)	0.15	(37.4)
1600	2716.8	0.09	(22.4)	0.10	(24.9)	0.12	(29.9)	0.15	(37.4)	0.17	(42.3)
1700	2886.6	0.10	(24.9)	0.11	(27.4)	0.14	(34.9)	0.17	(42.3)	0.19	(47.3)
1800	3056.4	0.11	(27.4)	0.13	(32.4)	0.16	(39.9)	0.19	(47.3)	0.21	(52.3)
1900	3226.2	0.13	(32.4)	0.15	(37.4)	0.18	(44.8)	0.21	(52.3)	0.23	(57.3)
2000	3396.0	0.14	(34.9)	0.17	(42.3)	0.20	(49.8)	0.23	(57.3)	0.26	(64.8)

NOTES:

1. See Product Data or Air Handler nameplate for approved combinations of Air Handlers and Heaters.
2. Heater model numbers may have additional suffix digits.

HEATER RACKS	
HEATER MODEL NO.	NO. OF RACKS
BAY96X1405	1
BAY96X1406	2
BAY96X1408	2
BAY96X1410	2
BAY96X1411	3
BAY96X1415	3
BAY96X1419	4
BAY96X1421	4
BAY96X1426	5
BAY96X3411	3
BAY96X3415	3



Supplementary Heaters

THESE AIR HANDLERS ARE CONVERTIBLE AND MOTOR SPEED TAPS VARY BY THE UNIT ORIENTATION.

TWE030C-HEATER MODEL NUMBER BAY96X

Unit		1405	1406	1408,F	1410,F	1410A	1411	1411A	1415	1419	1421	3411	3415
Position	Application	4.0 KW	4.8 KW	6.4 KW	8.0 KW	8.8 KW	8.8 KW	8.8 KW	12.8 KW	16.0 KW	17.6 KW	8.8 KW	12.8 KW
Vertical	A/C or Elec. Furnace	L	L	L	L	L	L	L	L	L	L	L	L
Upflow	Heat Pump	L	L	L	L	L	L	L	L	M	M	L	L
Vertical	A/C or Elec. Furnace	L	L	L	L	L	L	L	L	L	L	L	L
Downflow	Heat Pump	L	L	L	L	L	L	L	L	H	H	L	H
Horizontal	A/C or Elec. Furnace	L	L	L	L	L	L	L	L	L	L	L	L
Left	Heat Pump	L	L	L	L	L	L	L	L	M	M	L	L
Horizontal	A/C or Elec. Furnace	L	L	L	L	L	L	L	L	L	L	L	L
Right	Heat Pump	L	L	L	L	L	L	L	L	H	H	L	L

(L) Low, (M) Medium, (H) High indicate minimum heating speed setting for blower/motor operation. 1414 and 1426 not approved for this model.

TWE040C-HEATER MODEL NUMBER BAY96X

Unit		1405	1406	1408,F	1410,F	1410A	1411	1411A	1415	1419	1421	3411	3415
Position	Application	4.0 KW	4.8 KW	6.4 KW	8.0 KW	8.8 KW	8.8 KW	8.8 KW	12.8 KW	16.0 KW	17.6 KW	8.8 KW	12.8 KW
Vertical	A/C or Elec. Furnace	L	L	L	L	L	L	L	L	L	L	L	L
Upflow	Heat Pump	L	L	L	L	L	M	M	H	H	H	M	M
Vertical	A/C or Elec. Furnace	L	L	L	L	L	L	L	L	L	L	L	L
Downflow	Heat Pump	L	L	L	L	L	L	L	H	H	H	L	L
Horizontal	A/C or Elec. Furnace	L	L	L	L	L	L	L	L	L	L	L	L
Left	Heat Pump	L	L	L	L	L	L	L	H	H	H	L	L
Horizontal	A/C or Elec. Furnace	L	L	L	L	L	L	L	L	L	L	L	L
Right	Heat Pump	L	L	L	L	L	L	L	H	H	H	L	L

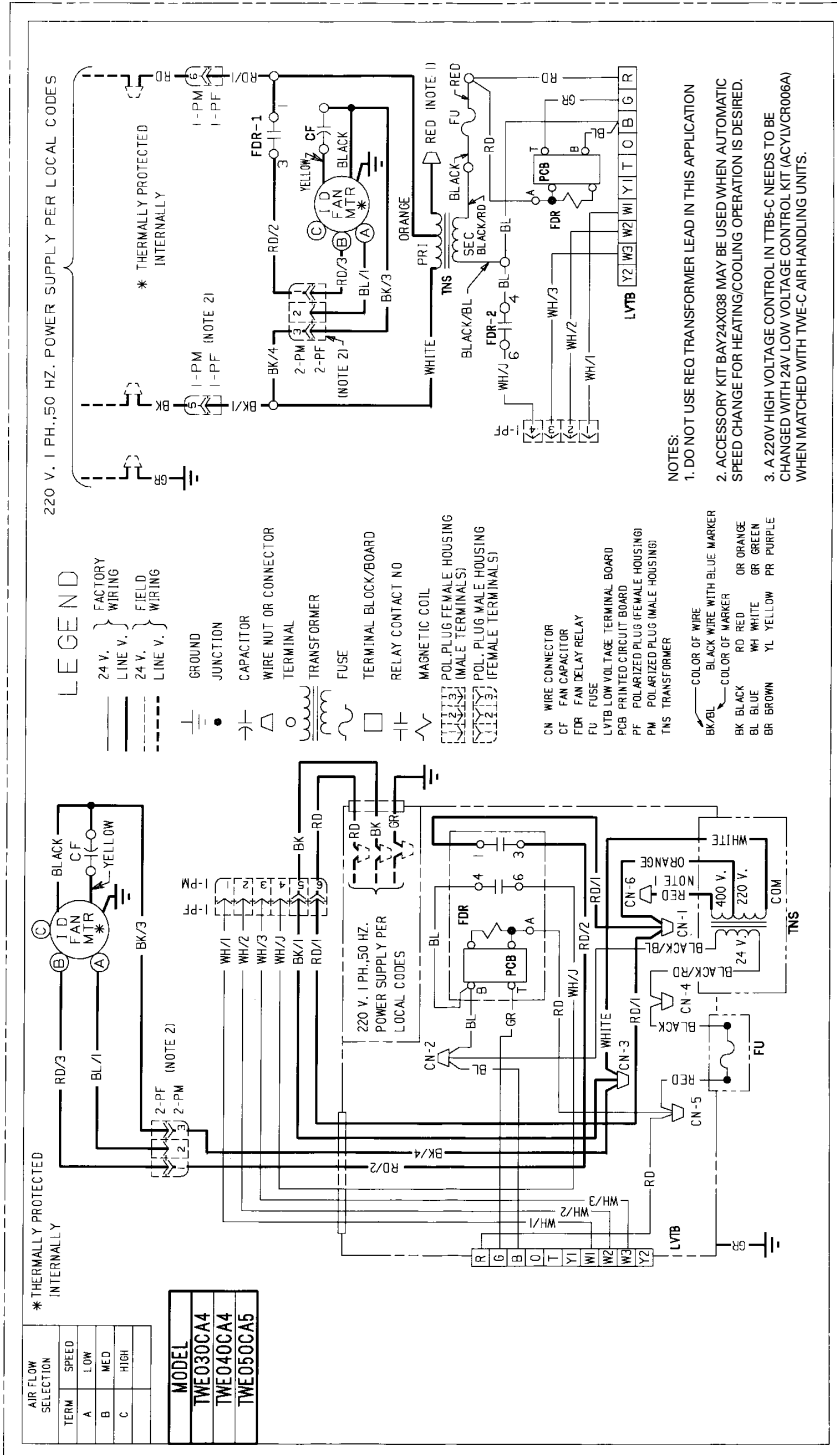
(L) Low, (M) Medium, (H) High indicate minimum heating speed setting for blower/motor operation. 1414 not approved for this model.

TWE050C-HEATER MODEL NUMBER BAY96X

Unit		1405	1406	1408,F	1410,F	1410A	1415	1419	1421	1426	3415
Position	Application	4.0 KW	4.8 KW	6.4 KW	8.0 KW	8.8 KW	12.8 KW	16.0 KW	17.6 KW	21.6 KW	12.8 KW
Vertical	A/C or Elec. Furnace	—	—	L	L	L	L	L	L	L	L
Upflow	Heat Pump	L	L	L	L	L	L	M	M	H	L
Vertical	A/C or Elec. Furnace	—	—	L	L	L	L	L	L	L	L
Downflow	Heat Pump	L	L	L	L	L	L	H	H	H	L
Horizontal	A/C or Elec. Furnace	—	—	L	L	L	L	L	L	L	L
Left	Heat Pump	L	L	L	L	L	L	H	H	H	L
Horizontal	A/C or Elec. Furnace	—	—	L	L	L	L	L	L	L	L
Right	Heat Pump	L	L	L	L	L	L	M	M	H	L

(L) Low, (M) Medium, (H) High indicate minimum heating speed setting for blower/motor operation. 14141,A & 1414 not approved for this model.

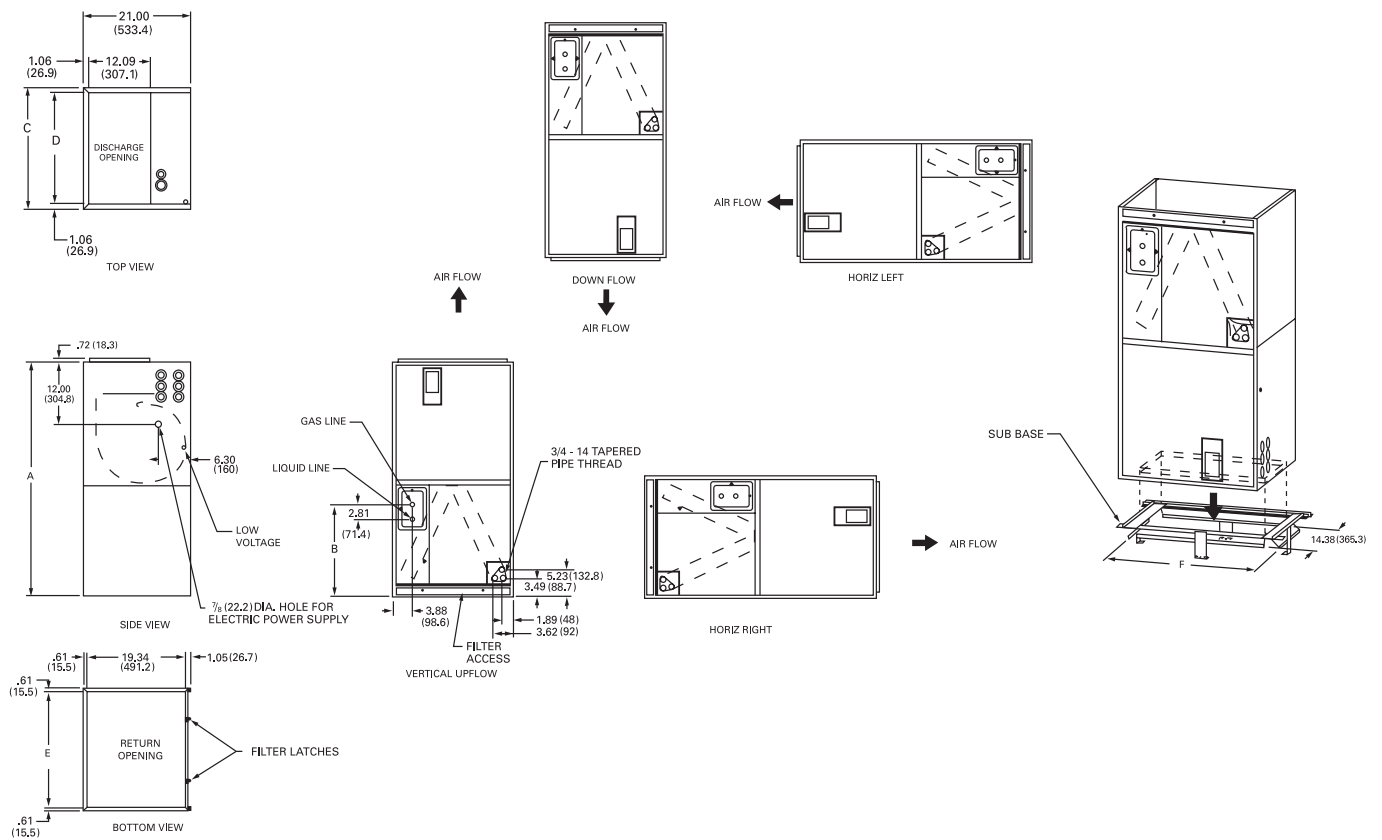
System Wiring Diagram



Dimensional Data

TWE030-050C Outline Drawing

All dimensions are in inches (mm)



	MINIMUM UNIT CLEARANCE SALE		SERVICE CLEARANCE (RECOMMENDED)	
	TO COMBUSTIBLE MATERIAL (REQUIRED)			
SIDES	0	(0)	2	(50.8)
FRONT	0	(0)	21	(533.4)
BACK	0	(0)	0	(0)
INLET DUCT	0	(0)	1	(25.4)
OUTLET DUCT	1	(25.4)		

MODEL NO.	A	B	C	D	E	F	FLOW CONTROL
TWE030CA4	43.00 (1092.2)	15.57 (395.5)	21.50 (761.1)	19.50 (495.3)	20.28 (515.1)	21.63 (549.4)	FCCV
TWE040CA4	51.75 (1134.5)	24.32 (617.7)	23.50 (596.9)	21.50 (761.1)	22.28 (565.9)	23.63 (600.2)	FCCV
TWE050CA5	57.90 (1470.7)	30.47 (773.9)	23.50 (596.9)	21.50 (761.1)	22.28 (565.9)	23.63 (600.2)	TXV

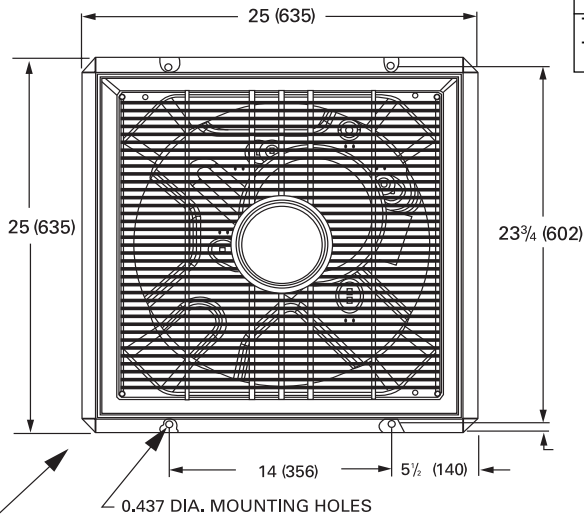


Dimensional Data

TTB524-536CA Outline Drawing

All dimensions are in inches (mm)

1 INCH = (25.40 MILLIMETERS)



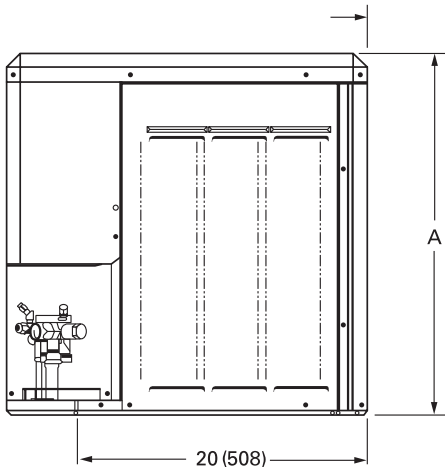
PT. NO.	CABINET SIZE	A	B	C	D	E
TTB524CA	25A	25 ¹ / ₂ (648)	1 ¹ / ₁₆ 14 UNS-2A	1 ¹ / ₂ 20UNF-2A	3 ³ / ₄ (19)	5 ⁵ / ₁₆ (8)
TTB530CA/ TTB536CA	25C	32 ¹ / ₂ (826)	1 ¹ / ₁₆ 14 UNS-2A	1 ¹ / ₂ 20UNF-2A	3 ³ / ₄ (19)	5 ⁵ / ₁₆ (8)

APPLIED TUBE SIZE	FLARE NUT TORQUE	
	TORQUE FT-LBS (NEWTON METERS)	
1 ¹ / ₄ (6.35)	8 (11.0)	10 (14.0)
5 ⁵ / ₁₆ (7.94)	10 (14.0)	15 (20.0)
3 ³ / ₈ (9.52)	15 (20.0)	25 (34.0)
1 ¹ / ₂ (12.70)	25 (34.0)	35 (47.0)
5 ⁵ / ₈ (15.88)	40 (54.0)	55 (75.0)
3 ³ / ₄ (19.05)	50 (68.0)	60 (81.0)

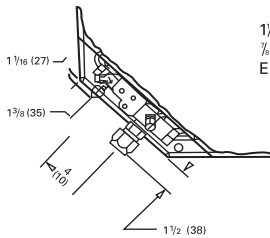
BACK-UP HEX SIZE
1 1 ¹ / ₁₆ -14 = 1 1 ¹ / ₁₆ (27)
1 ¹ / ₂ -20 = 1 ¹ / ₂ (13)

DETAIL X

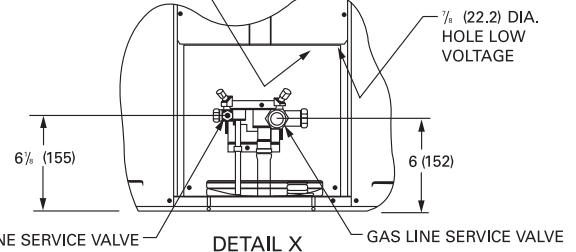
SERVICE PANEL
ELECTRICAL AND REFRIGERANT
COMPONENTS CLEARANCES
PER PREVAILING CODES



TOP DISCHARGE AREA SHOULD BE UNRESTRICTED FOR AT LEAST 1524 (5 FEET) ABOVE UNIT. UNIT SHOULD BE PLACED SO ROOF RUN-OFF WATER DOES NOT POUR DIRECTLY ON UNIT AND SHOULD BE AT LEAST 305 (12") FROM WALL AND ALL SURROUNDING SHRUBBERY ON TWO SIDES. OTHER TWO SIDES UNRESTRICTED.



1¹/₈ (28.6) DIA. K.O. WITH
7⁷/₈ (22.2) DIA. HOLE
ELECTRIC POWER SUPPLY



"C" SAE MALE FLARE FOR "E" O.D. TUBE SIZE CONNECTION WITH 1/4" SAE FLARE PRESSURE TAP FITTING.

"B" SAE MALE FLARE FOR "D" O.D. TUBE SIZE CONNECTION WITH 1/4" SAE FLARE PRESSURE TAP FITTING.

Dimensional Data

TTA030-060C Outline Drawing

All dimensions are in inches (mm)

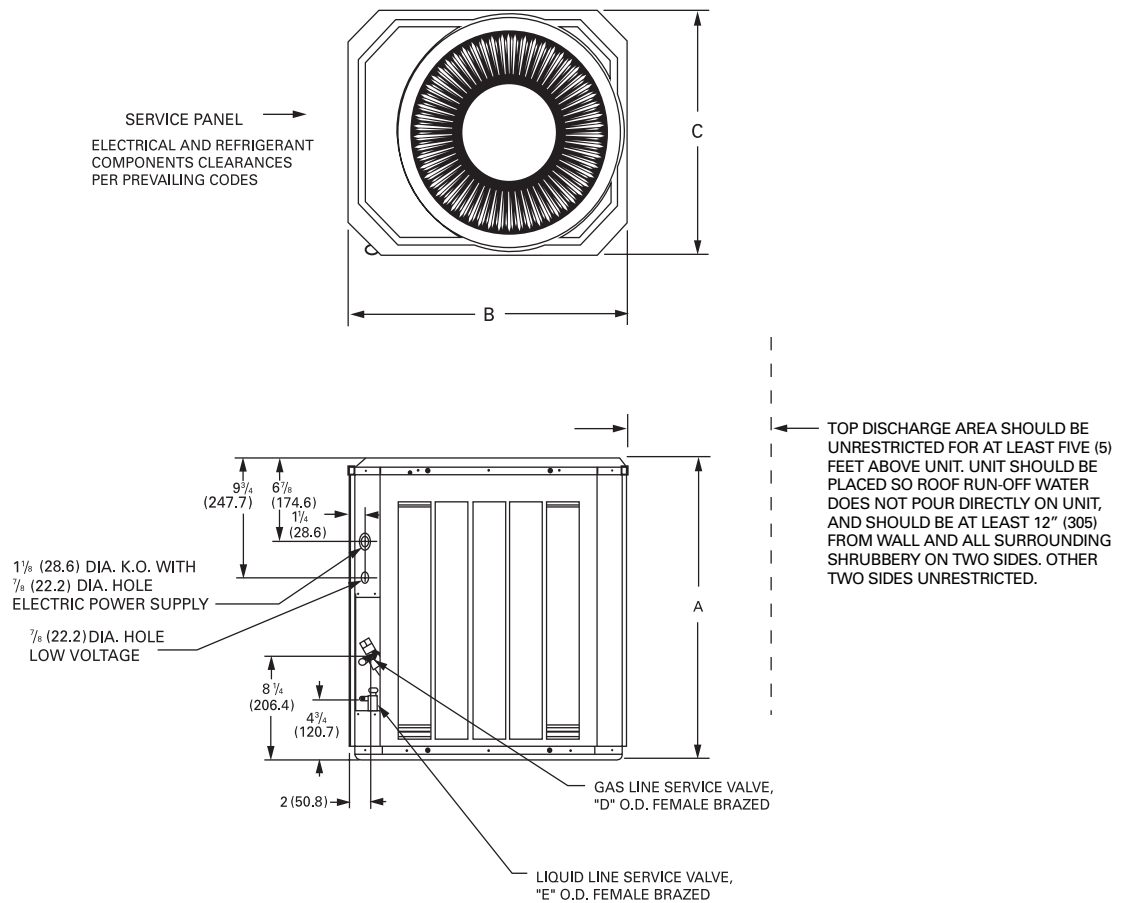


FIG. 1

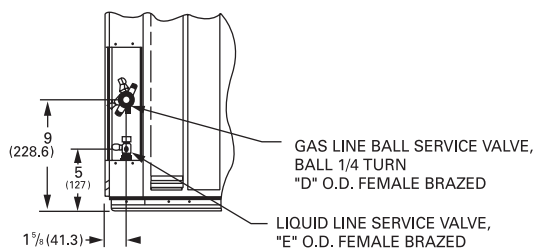


FIG. 2

MODEL	Figure	A	B	C	D	E
TTA030C	1	24 3/8 (619.1)	28 1/4 (714.4)	24 5/8 (625.5)	7/8 (22.2)	3/8 (9.53)
TTA040C	1	32 3/4 (831.9)	28 1/4 (714.4)	24 5/8 (625.5)	1 1/8 (28.6)	3/8 (9.53)
TTA050C	2	40 5/8 (1031.9)	32 7/8 (835.0)	28 3/4 (730.3)	1 1/8 (28.6)	3/8 (9.53)
TTA060C	2	44 3/4 (1136.7)	38 7/8 (987.4)	34 3/4 (882.7)	1 1/8 (28.6)	3/8 (9.53)

Dimensional Data

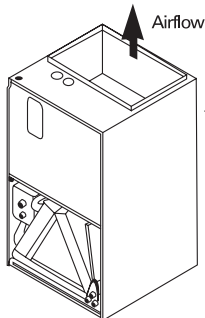
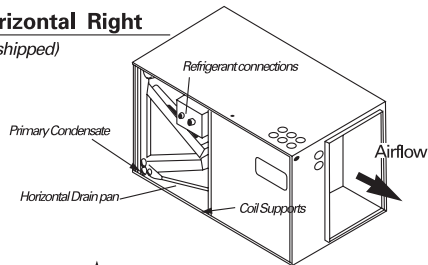
TWE030 Through 050 Convertibility

Six (6) Way Convertibility

One Unit - 4 Applications

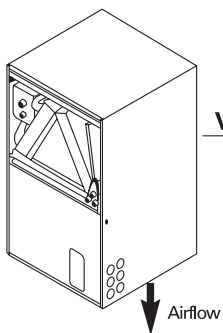
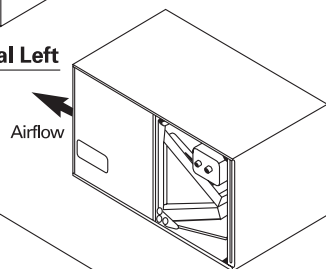
(Conversion 1-4)

Horizontal Right (as shipped)



Vertical Upflow (as shipped) One-Step Conversion Stand unit on end

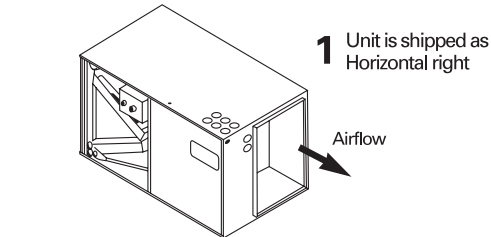
Horizontal Left Rotate Coil



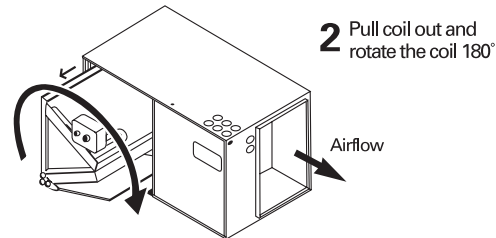
Vertical Downflow One-Step Conversion from Horizontal left

Easy Conversion to Opposite Side Access

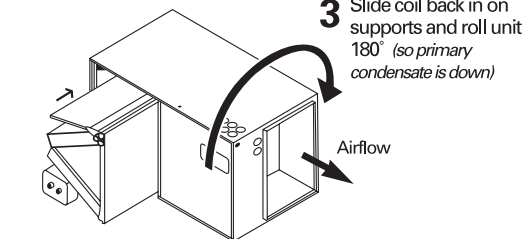
(Conversion 5 & 6)



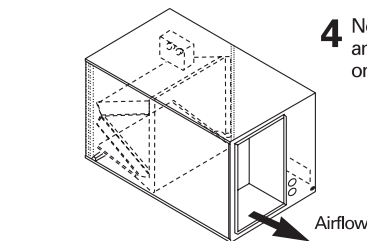
1 Unit is shipped as Horizontal right



2 Pull coil out and rotate the coil 180°



3 Slide coil back in on supports and roll unit 180° (so primary condensate is down)



4 Note Conditions and access are now on back side of unit

6 CONVERSION APPLICATIONS

1. Horizontal Right — (Front Access)
2. Vertical Upflow
3. Horizontal Left - (Front Access)
4. Vertical Downflow
5. Horizontal Right - (Rear Access)
6. Horizontal Left - (Rear Access)



Mechanical Specifications

General

Blower coil units shall be completely factory assembled including coil, condensate drain pan, fan, motor, filters and controls in an insulated casing that can be applied in horizontal or vertical configuration.

This new line of TWE-C air handlers provides exclusive compact size combined with simple four-way convertibility in three sizes. The unit ships in the right hand horizontal configuration and converts to vertical upflow just by standing the unit on end. No tools required. Simple coil rotation provides downflow and horizontal left applications.

The four-way convertibility provides you inventory benefits and service/installation flexibility. The simple conversion provides opposite side access for installation and service.

Casing

Units shall have rugged sheet metal and steel frame construction and shall be painted with an enamel finish. Casing shall be insulated and knockouts shall be provided for electrical power and control wiring.

Refrigerant Circuits

The TWE units shall have a single refrigerant circuit. TWE03-040C refrigerant circuit shall be controlled by a flow control check valve (FCCV). The TWE050C refrigerant circuit shall be controlled by a factory-installed thermal expansion valve.

Coil

Aluminum fin surface shall be mechanically bonded to $\frac{3}{8}$ -inch OD copper tubing. Coils shall be factory pressure and leak tested.

Fan

Forward curved, dynamically and statically balanced with three-speed direct drive shall be standard, fan motor bearing shall be permanently lubricated.

Controls

Fan contactor, and plug-in module for accessory electric heat control shall be included. TWE models shall also include check valves.

Filters

Filters shall be included as standard.

Accessories

Electric Heaters — Shall be available in a wide range of capacities and voltages with various staging options and plug in control wiring. Heaters shall fit inside internal compartment.



The Trane Company
International Unitary Products Group
3600 Pammel Creek Road
La Crosse, WI 54601-7599
www.trane.com

An American Standard Company

File No.	TWE5-PRC000-EN	4/99
Supersedes	TWE5-PRC000-EN	2/98
Stocking Location	La Crosse	

Since The Trane Company has a policy of continuous product improvement, it reserves the right to change design and specification without notice.

Free Manuals Download Website

<http://myh66.com>

<http://usermanuals.us>

<http://www.somanuals.com>

<http://www.4manuals.cc>

<http://www.manual-lib.com>

<http://www.404manual.com>

<http://www.luxmanual.com>

<http://aubethermostatmanual.com>

Golf course search by state

<http://golfingnear.com>

Email search by domain

<http://emailbydomain.com>

Auto manuals search

<http://auto.somanuals.com>

TV manuals search

<http://tv.somanuals.com>