

**USB2.0**

# Transcend Multi-Card Reader

## User's Manual

P/N : TS-RDM1/M2/M3/M5

Version 1.5

***Transcend***  
***Exceeding Your Expectations***

# Table of Contents

<b>Introduction</b> .....	<b>1</b>
Package Contents .....	1
Features.....	2
System Requirements .....	3
<b>Safety Precautions</b> .....	<b>4</b>
General Use.....	4
Transferring Data .....	4
Reminders.....	4
<b>M1 Product Overview</b> .....	<b>5</b>
<b>M2 Product Overview</b> .....	<b>6</b>
<b>M3 Product Overview</b> .....	<b>7</b>
<b>M5 Product Overview</b> .....	<b>8</b>
<b>Driver Installation</b> .....	<b>9</b>
Driver Installation for Windows® 98SE, 2000 (SP1 and SP2) .....	9
Driver Installation for Windows® Me, 2000 (SP3, or later), XP and Vista™ .....	10
Driver Installation for Mac™ OS 9.x.....	11
Driver Installation for Mac™ OS 10.1.2, or Later.....	11
Driver Installation for Linux™ Kernel 2.4.2, or Later.....	11
<b>Connecting to a Computer</b> .....	<b>13</b>
<b>Disconnecting from a Computer</b> .....	<b>14</b>
Removing the Multi-Card Reader in Windows® 98SE.....	14
Removing the Multi-Card Reader in Windows® Me, 2000, XP and Vista™ .....	14
Removing the Multi-Card Reader in Mac™ OS 9.0, or Later .....	15
Remove the Multi-Card Reader in Linux™ Kernel 2.4.2, or Later .....	15
<b>Troubleshooting</b> .....	<b>16</b>
<b>Multi-Card Reader TS-RDM1 Specifications</b> .....	<b>17</b>
<b>Multi-Card Reader TS-RDM2 Specifications</b> .....	<b>18</b>
<b>Multi-Card Reader TS-RDM3 Specifications</b> .....	<b>19</b>
<b>Multi-Card Reader TS-RDM5 Specifications</b> .....	<b>20</b>
<b>Transcend Limited Warranty</b> .....	<b>21</b>

# Introduction

Thank you for purchasing Transcend's **Multi-Card Reader (TS-RDM1/M2/M3/M5)**, a small device specifically designed for fast, easy data transfer and exchange using many different types of Memory Cards and without the need for an adapter. Transcend Multi-Card Readers plug into the USB port on your Desktop, or Notebook computer and accept the direct input of the most popular Memory Cards. In addition, Transcend's Portable Multi-Card Readers also accept the input of a large number of reduced sized memory cards when they are combined with their adapter. Transcend's Portable Multi-Card Readers use a Hi-Speed USB 2.0 connection for extremely fast data transfer speeds and their small compact design will enhance your Photo, Music and Data transfer experience.

## Package Contents

The **Multi-Card Reader** package includes the following items:

- Multi-Card Reader M1, M2, M3 or M5

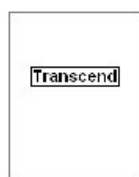


Figure 1. Multi-Card Reader M1, M2, M3, M5

- USB Cable



- Quick Instruction Guide



## Features

- Fully Compliant with the Hi-Speed USB 2.0 specification
- Hi-Speed Data transfer rates up to 480Mb/s
- USB powered (no external power or battery needed)
- LED indicates card insertion and data transfer
- Compatible with the New SDHC™ Memory Card Standard
- Supports the most popular Memory Cards:

	TS-RDM1	TS-RDM2	TS-RDM3	TS-RDM5
No Adapter		○ CompactFlash® (CF) Typel/II	○ CompactFlash® (CF) Typel/II	○ CompactFlash® (CF) Typel/II
		○ MicroDrive	○ MicroDrive	○ MicroDrive
	○ Secure Digital (SD™)	○ Secure Digital (SD™)	○ Secure Digital (SD™)	○ Secure Digital (SD™)
	○ Secure Digital High Capacity (SDHC™)	○ Secure Digital High Capacity (SDHC™)	○ Secure Digital High Capacity (SDHC™)	○ Secure Digital High Capacity (SDHC™)
	○ miniSD™	○ miniSD™	○ miniSD™	○ miniSD™
	○ miniSDHC™	○ miniSDHC™	○ miniSDHC™	○ miniSDHC™
		○ microSD™ / microSDHC™ / TransFlash™	○ microSD™ / microSDHC™ / TransFlash™	○ microSD™ / microSDHC™ / TransFlash™
	○ MultiMediaCard (MMC™)	○ MultiMediaCard (MMC™)	○ MultiMediaCard (MMC™)	○ MultiMediaCard (MMC™)
	○ MMCplus™	○ MMCplus™	○ MMCplus™	○ MMCplus™
	○ RS-MMC	○ RS-MMC	○ RS-MMC	○ RS-MMC
	○ MMCmobile™	○ MMCmobile™	○ MMCmobile™	○ MMCmobile™
	○ Memory Stick® (MS)	○ Memory Stick® (MS)	○ Memory Stick® (MS)	○ Memory Stick® (MS)
	○ Memory Stick PRO™	○ Memory Stick PRO™	○ Memory Stick PRO™	○ Memory Stick PRO™
	○ Memory Stick Duo™	○ Memory Stick Duo™	○ Memory Stick Duo™	○ Memory Stick Duo™
	○ Memory Stick PRO Duo™	○ Memory Stick PRO Duo™	○ Memory Stick PRO Duo™	○ Memory Stick PRO Duo™
			○ Memory Stick Micro™ (M2)	○ Memory Stick Micro™ (M2)
		○ xD (M-Type, H-Type)	○ xD (M-Type, H-Type)	
With Adapter	○ microSD™ / TransFlash™			
	○ MMCmicro™	○ MMCmicro™	○ MMCmicro™	○ MMCmicro™
	○ Memory Stick Micro™ (M2)	○ Memory Stick Micro™ (M2)		

## System Requirements

Desktop or notebook computer with a working USB port.

One of the following Operating Systems (OS):

- Windows® Me
- Windows® 2000
- Windows® XP
- Windows Vista™
- Mac™ OS 9.0, or later
- Mac™ OS X
- Linux™ Kernel 2.4.2, or later

# Safety Precautions

These usage and safety guidelines are **IMPORTANT!** Please follow them carefully.

## General Use

- Carefully unpack the contents of the **Multi-Card Reader** package.
- Do not allow your **Multi-Card Reader** to become damp or wet from water or any other liquids.
- Do not use a damp/wet cloth to wipe or clean the exterior case.
- Do not use or store your **Multi-Card Reader** in any of the listed environments:
  - Direct sunlight
  - Next to an air conditioner, electric heater, or other heat sources
  - In a closed car that is in direct sunlight

## Transferring Data

- Transcend does NOT take any responsibility for data loss, or damage during operation.

## Reminders

- Follow the procedures in the “**Disconnecting from a Computer**” section to remove your Multi-Card Reader from a computer.



**To avoid damage to your Reader and Memory Cards. Do NOT attempt to insert microSD and SD series or Memory Stick Micro (M2) and MS series card into your Multi-Card Reader at the same time.**

# M1 Product Overview

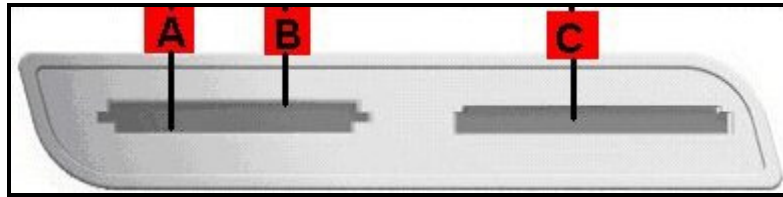


Figure 2. Multi-Card Reader M1

<b>A</b> <b>(direct insertion)</b>	<b>B</b> <b>(direct insertion)</b>	<b>C</b> <b>(reverse insertion)</b>	
Secure Digital (SD™)	miniSD™	Memory Stick® (MS)	
SDHC™	miniSDHC™	Memory Stick PRO™	
MultiMediaCard (MMC™)		Memory Stick Duo™	
MMCplus™		Memory Stick PRO Duo™	
RS-MMC		<b>C</b> <b>(adapter required)</b>	Memory Stick Micro™ (M2)
MMCmobile™			
<b>A</b> <b>(adapter required)</b>			
microSD™ / TransFlash™			
MMCmicro™			

# M2 Product Overview

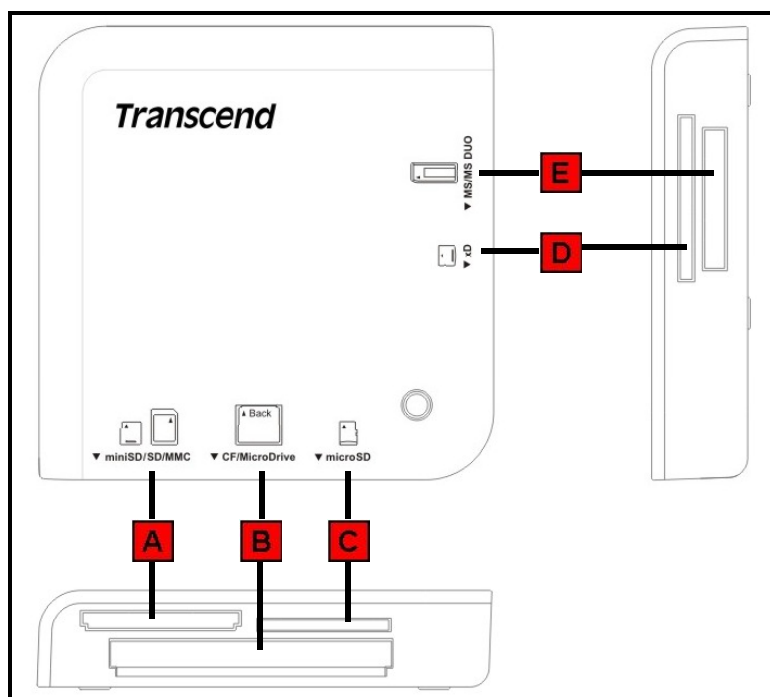


Figure 3. Multi-Card Reader M2

<b>A</b> (direct insertion)	<b>B</b> (reverse card insertion)	<b>D</b> (direct insertion)
Secure Digital (SD™)	CompactFlash® (CF) Type I/II	xD (M-Type, H-Type)
SDHC™	MicroDrive	<b>E</b> (direct insertion)
miniSD™	<b>C</b> (direct insertion)	Memory Stick® (MS)
miniSDHC™	microSD™ / TransFlash™	Memory Stick PRO™
MultiMediaCard (MMC™)		Memory Stick Duo™
MMCplus™		Memory Stick PRO Duo™
RS-MMC		<b>E</b> (adapter required)
MMCmobile™		Memory Stick Micro™ (M2)
<b>A</b> (adapter required)		
MMCmicro™		



# M3 Product Overview

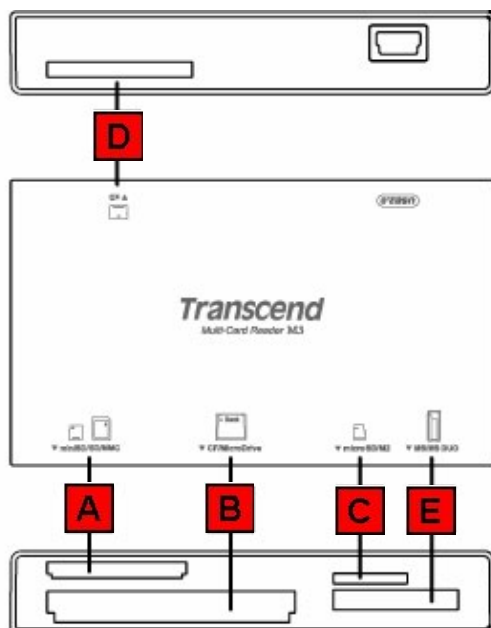


Figure 4. Multi-Card Reader M3

<b>A</b> <b>(direct insertion)</b>	<b>B</b> <b>(reverse card insertion)</b>	<b>D</b> <b>(direct insertion)</b>
Secure Digital (SD™)	CompactFlash® (CF) Type I/II	xD (M-Type, H-Type)
SDHC™	MicroDrive	<b>E</b> <b>(direct insertion)</b>
miniSD™	<b>C</b> <b>(direct insertion)</b>	Memory Stick® (MS)
miniSDHC™	microSD™ / TransFlash™	Memory Stick PRO™
MultiMediaCard (MMC™)	Memory Stick Micro™ (M2)	Memory Stick Duo™
MMCplus™		Memory Stick PRO Duo™
RS-MMC		
MMCmobile™		
<b>A</b> <b>(adapter required)</b>		
MMCmicro™		

# M5 Product Overview

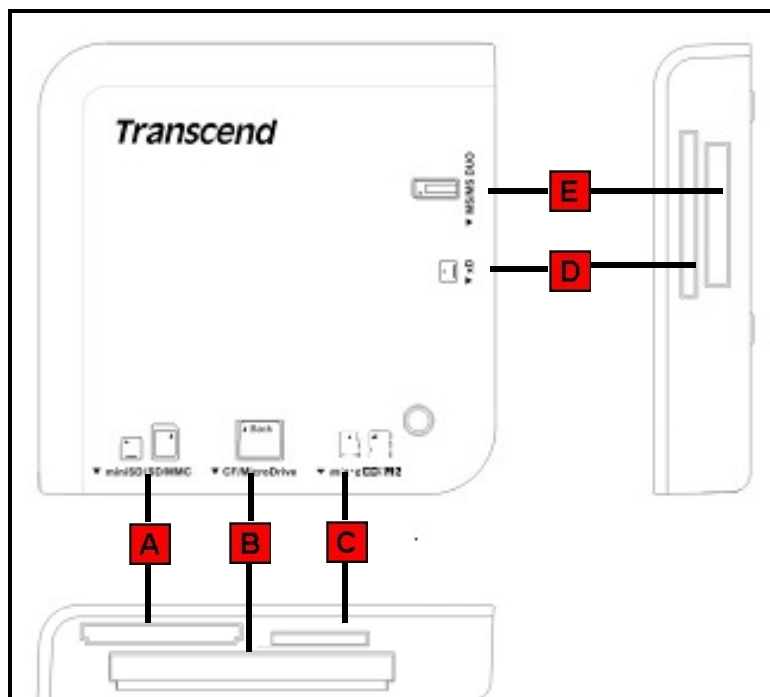


Figure 5. Multi-Card Reader M5

<b>A</b> (direct insertion)	<b>B</b> (reverse card insertion)	<b>D</b> (direct insertion)
Secure Digital (SD™)	CompactFlash® (CF) TypeI/II	xD (M-Type, H-Type)
SDHC™	MicroDrive	<b>E</b> (direct insertion)
miniSD™	<b>C</b> (direct insertion) microSD™ / TransFlash™ microSDHC™ Memory Stick Micro™ (M2)	Memory Stick® (MS)
miniSDHC™		Memory Stick PRO™
MultiMediaCard (MMC™)		Memory Stick Duo™
MMCplus™		Memory Stick PRO Duo™
RS-MMC		
MMCmobile™		
<b>A</b> (adapter required)		
MMCmicro™		

# Driver Installation

## Driver Installation for Windows® 98SE, 2000 (SP1 and SP2)

1. Put the Driver CD into the CD-ROM (Auto-Run supported). Click on the “**Driver and Icon Utility**” button. If the product does not attach CD, you can download the Windows 98SE driver from Transcend’s website, <http://www.transcendusa.com/Support/DLCenter/>.



Figure 5. Windows 98SE/2000 (SP1 & SP2), Mac OS 9.x Driver Installation

2. The InstallShield Wizard will guide you through the installation process. Follow the on-screen instructions to complete the driver installation.

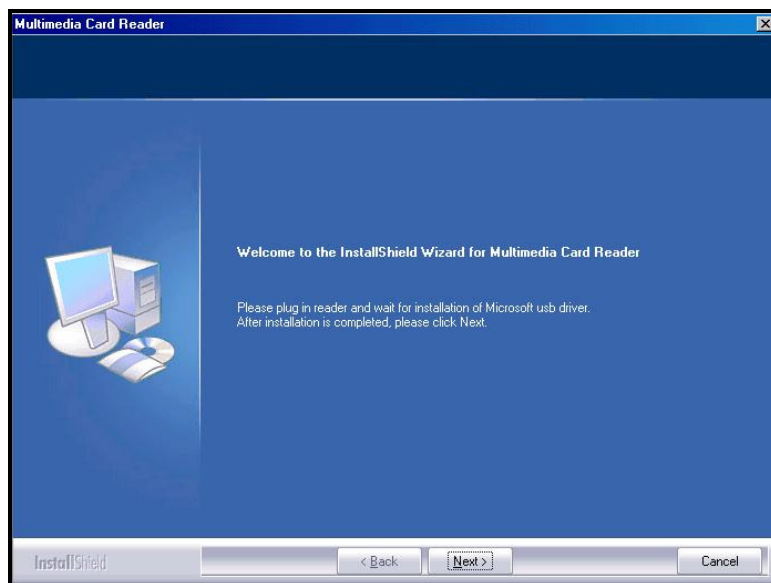


Figure 6. Driver Installation InstallShield Wizard

3. After the drivers are installed onto the computer, plug the **Multi-Card Reader** into an available USB port, the “**New Hardware Found**” dialogue boxes will appear.



Figure 7. Found New Hardware

4. The computer will automatically detect the **Multi-Card Reader** and a number of **Removable Disk\*** drive letters with separate **Card Slot Identification Icons** will appear in the **My Computer** window (The number of card slots depends on your reader).

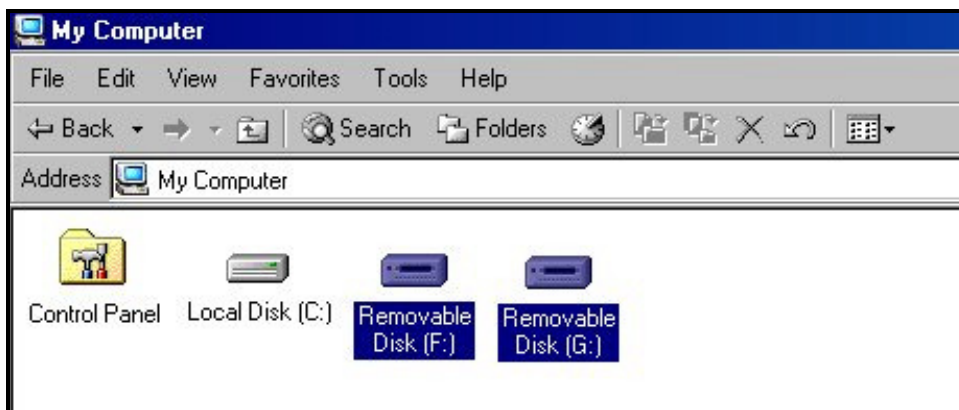


Figure 8. \*F & G are example drive letters, the letters in your “My Computer” window may differ

## Driver Installation for Windows® Me, 2000 (SP3, or later), XP and Vista™

1. No drivers are required. These Windows® Operating Systems have built-in drivers to support the **Multi-Card Reader**. Plug your **Multi-Card Reader** into an available USB port and Windows® will install the necessary files. A number of **Removable Disk** drives with newly assigned drive letters representing the Readers’ card slots will appear in the **My Computer** window (The number of card slots depends on your reader).
2. If you want to display the separate **Card Slot Identification Icons**, please install the driver from the CD.

## Driver Installation for Mac™ OS 9.x

1. Put the Driver CD into the CD-ROM drive and run the **Install** program located in the **Mac** folder on the Driver CD. Follow the on-screen instructions to complete the driver installation. If the product does not attach CD, you can download the Mac 9.X driver from Transcend's website, <http://www.transcendusa.com/Support/DLCenter/>.
2. Plug the **Multi-Card Reader** into an available USB port.
3. Insert a memory card into the **Multi-Card Reader**. A disk icon will appear on the desktop. After the icon appears you can use the memory card as if it were a Hard Disk on your Mac™.

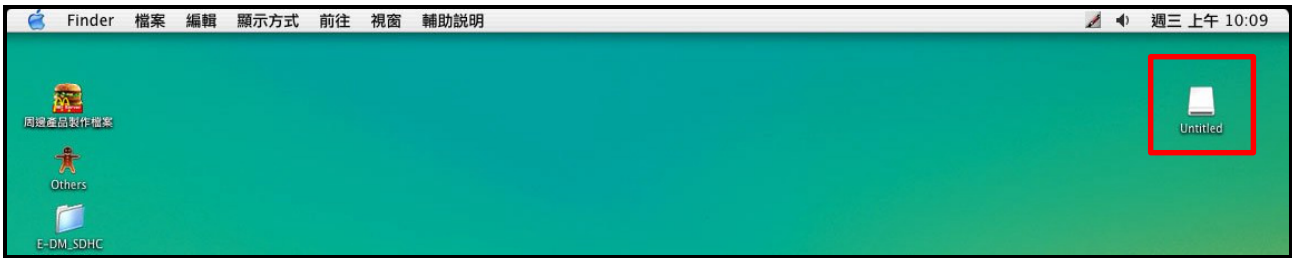


Figure 9. Mac Driver Installation

## Driver Installation for Mac™ OS 10.1.2, or Later

No drivers are required. Plug your **Multi-Card Reader** into an available USB port, insert a compatible Memory Card and your Mac™ will automatically detect it.

## Driver Installation for Linux™ Kernel 2.4.2, or Later

Transcend's **Multi-Card Reader** does not require a device driver for Linux Kernel 2.4 or later. You may connect the Reader directly to a USB port on you computer using the supplied cable. Please follow the below procedures to mount and use the device:

1. Add the following two commands to `/etc/modules.conf` :

<b>TS-RDM1</b>	<b>options scsi_mod max_scsi_luns=2 below usb-storage sd_mod</b>
<b>TS-RDM2</b>	<b>options scsi_mod max_scsi_luns=5 below usb-storage sd_mod</b>
<b>TS-RDM3</b>	<b>options scsi_mod max_scsi_luns=4 below usb-storage sd_mod</b>
<b>TS-RDM5</b>	<b>options scsi_mod max_scsi_luns=4 below usb-storage sd_mod</b>

2. Plug the **Multi-Card Reader** into an available USB port using the supplied cable and restart the computer. Your computer automatically detects the **Multi-Card Reader**.
3. Create a directory for the **Multi-Card Reader**.

Example: **mkdir /mnt/CardReader**

4. Mount the Multi-Card Reader.

Example: **mount -a -t msdos /dev/sda1 /mnt/CardReader**

❖ Mapping of Disks :

<b>TS-RDM1</b>	SD/MMC/miniSD → /dev/sda MS → /dev/sdb
<b>TS-RDM2</b>	SD/MMC/miniSD → /dev/sda CF/Microdrive → /dev/sdb xD → /dev/sdc MS → /dev/sdd microSD → /dev/sde
<b>TS-RDM3</b>	SD/MMC/miniSD/microSD → /dev/sda CF/Microdrive → /dev/sdb xD → /dev/sdc MS → /dev/sdd
<b>TS-RDM5</b>	SD/MMC/miniSD/microSD → /dev/sda CF/Microdrive → /dev/sdb xD → /dev/sdc MS → /dev/sdd



Never remove or insert a memory card or disconnect the USB cable while data is being transferred. In order to avoid data transfer errors due to improper shutdown of a connected device, you should always open the transferred file in its new location to ensure successful transfer before disconnecting the Reader.

## Connecting to a Computer

1. Plug the small end of the Mini USB to USB A-Type cable into the Mini USB connector on the **Multi-Card Reader** and plug the large end of the cable into an available USB port on your desktop, or notebook computer.

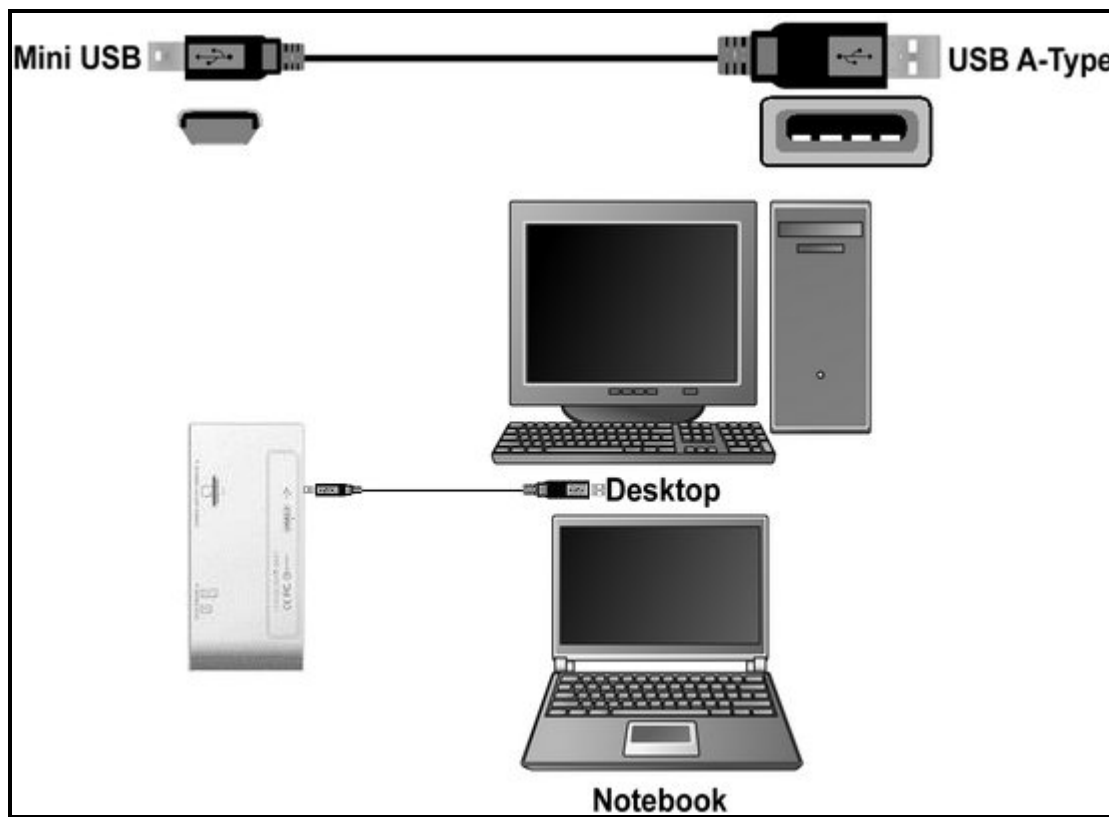


Figure 10. Connecting to a Computer

# Disconnecting from a Computer



**NEVER** disconnect the Multi-Card Reader from a computer when data is being transferred, or you may damage the Reader and your Card(s).

## Removing the Multi-Card Reader in Windows® 98SE

Unplug your **Multi-Card Reader** from your system directly when data is not transferring.

## Removing the Multi-Card Reader in Windows® Me, 2000, XP and Vista™


1. Select the **Hardware**  icon on the system tray.
- The **Safely Remove Hardware** pop-up window will appear. Select it to continue.




Figure 11. Safely Remove Hardware

- A message window will appear stating, “**The ‘USB Mass Storage Device’ device can now be safely removed from the system.**” Unplug the Multi-Card Reader.



Figure 12. Safe to Remove Hardware

- If the Hardware  icon isn't display on the system tray, please follow below procedure to remove your memory card from card reader first.
  - Right click the **Removable Disk** in the **My Computer** window.
  - Select **Eject**
  - Then remove your memory card and unplug your **Card Reader** from your system directly.

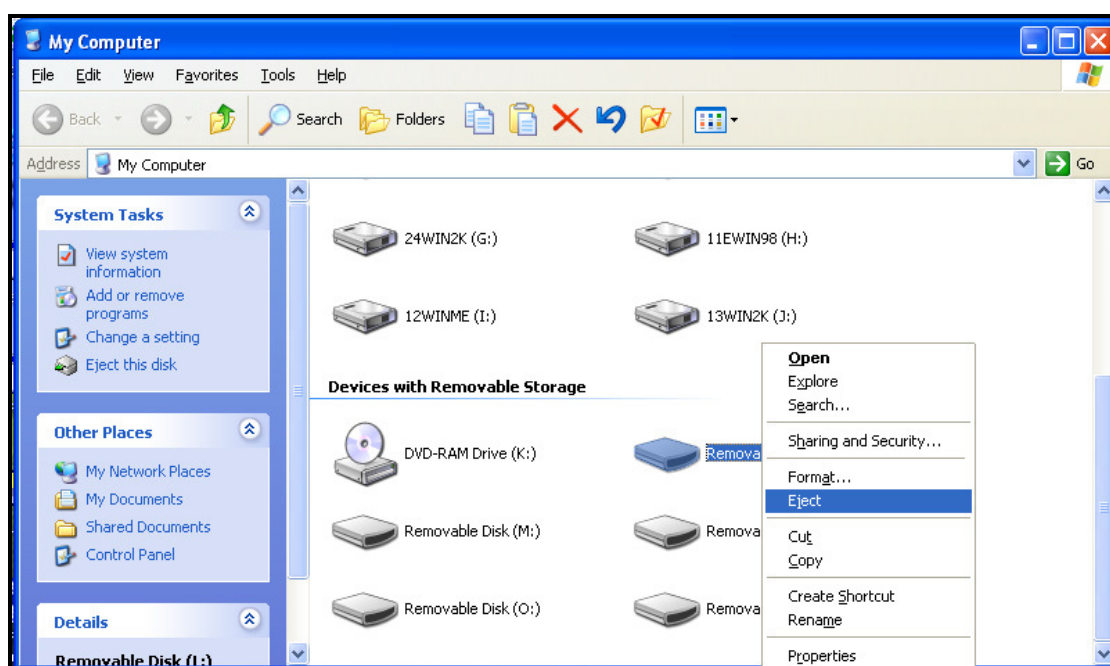


Figure 13. Eject





**WARNING!** To prevent data loss, always use this procedure to remove the **Multi-Card Reader** from **Windows® Me, 2000, XP and Vista™**.

### **Removing the Multi-Card Reader in Mac™ OS 9.0, or Later**

Drag and drop the Disk icon corresponding to your **Multi-Card Reader** into the trashcan. Then unplug your **Multi-Card Reader** from the USB port.

### **Remove the Multi-Card Reader in Linux™ Kernel 2.4.2, or Later**

Execute **umount /mnt/CardReader** to un-mount the device. Then unplug your **Multi-Card Reader** from the USB port.

---

# Troubleshooting

If a problem occurs with your **Multi-Card Reader**, please first check the information listed below before taking your **Multi-Card Reader** for repair. If you are unable to remedy a problem from the following hints, please consult your dealer, service center, or local Transcend branch office. We also have FAQ and Support services on our websites.

## Driver CD cannot auto-run in Windows®

Go to the **Device Manager** in the **Control Panel** and enable the **Auto-Insert** function for the CD-ROM drive.

## Operating system cannot detect the Multi-Card Reader

Check the following:

1. Is your **Multi-Card Reader** properly connected to the USB port? If not, unplug it and plug it in again.
2. Is your **Multi-Card Reader** connected to the Mac keyboard? If yes, unplug it and plug it into an available USB port on your Mac Desktop.
3. Is the USB port enabled? If not, refer to the user's manual of your computer (or motherboard) to enable it.
4. Is the necessary driver installed? If your computer is using Windows® 98SE, 2000 (SP1/SP2), or Mac™ OS 9.x you must insert the Driver CD into the CD-ROM and refer to the "[Driver Installation for Windows® 98SE, 2000 \(SP1 and SP2\)](#)", or "[Driver Installation for Mac™ OS 9.x](#)" section to complete the driver installation before using your **Multi-Card Reader**. A driver is not required for Windows® ME/2000 (SP3, or later)/XP/Vista™, Mac™ OS 10.1.2, or later and Linux™ Kernel 2.4, or later.

## Why won't the Multi-Card Reader recognize my Memory Card?

First check that the Memory Card is compatible with the Card Reader, then check that you inserted the Memory Card correctly with the appropriate side facing up/down.

## When I plug my Multi-Card Reader into a Mac™ the Reader does NOT appear?

Check the following:

1. If your Mac™ OS is pre-Mac™ OS 10.1.2 you must install the driver from the CD.
2. A compatible Memory Card must be inserted into the Multi-Card Reader before the Reader will appear on the Mac's screen.

## Cannot find the file that was just copied using the Multi-Card Reader

You should always open a transferred file in its new location to ensure it transferred successfully. Re-copy the file and refer to the "[Disconnecting from a Computer](#)" section to remove the Reader after the copying process is completed.

## A File that was just deleted still appears

Re-delete the file and refer to the "[Disconnecting from a Computer](#)" section to remove the Reader after the delete process is completed.

---

# Multi-Card Reader TS-RDM1 Specifications

● <b>Size (L x W x H):</b>	64.8mm x 33mm x 12.2mm
● <b>Weight:</b>	20g
● <b>Max. Transfer Speed:</b>	480Mbps (60MB) per second
● <b>Operating Voltage:</b>	5V DC from USB Port
● <b>Operating Temperature:</b>	0°C (32°F) to 70°C (158°F)
● <b>Storage Temperature:</b>	-40°C (-40°F) to 85°C (185°F)
● <b>Certificates:</b>	CE, FCC Class B, BSMI

<b>Memory Cards</b>	
<b>Secure Digital (SD™):</b>	Secure Digital (SD™), Secure Digital High Capacity (SDHC™), miniSD™, miniSDHC™
<b>MultiMediaCard (MMC™):</b>	MultiMediaCard (MMC™), MMCplus™, RS-MMC, MMCmobile™
<b>Memory Stick® (MS):</b>	Memory Stick® (MS), Memory Stick PRO™, Memory Stick Duo™, Memory Stick PRO Duo™
<b>Memory Cards w/Adapter</b>	
<b>Secure Digital (SD™):</b>	microSD™ / TransFlash™
<b>MultiMediaCard (MMC™):</b>	MMCmicro™
<b>Memory Stick® (MS):</b>	Memory Stick Micro™ (M2)

## Ordering Information

<i>Device Description</i>	<i>Transcend P/N</i>
<b>Transcend Multi-Card Reader M1</b>	<b>TS-RDM1</b>

# Multi-Card Reader TS-RDM2 Specifications

- **Size (L x W x H):** 70mm x 70mm x 15mm
- **Weight:** 43g
- **Max. Transfer Speed:** 480Mbits (60MB) per second
- **Operating Voltage:** 5V DC from USB Port
- **Operating Temperature:** 0°C (32°F) to 70°C (158°F)
- **Storage Temperature:** -40°C (-40°F) to 85°C (185°F)
- **Certificates:** CE, FCC Class B, BSMI

<b>Memory Cards</b>	
<b>CompactFlash®(CF):</b>	CompactFlash® (CF) TypeI/II, MicroDrive
<b>Secure Digital (SD™):</b>	Secure Digital (SD™), Secure Digital High Capacity (SDHC™), miniSD™, miniSDHC™, microSD™ / TransFlash™
<b>MultiMediaCard (MMC™):</b>	MultiMediaCard (MMC™), MMCplus™, RS-MMC, MMCmobile™
<b>Memory Stick® (MS):</b>	Memory Stick® (MS), Memory Stick PRO™, Memory Stick Duo™, Memory Stick PRO Duo™
<b>xD:</b>	xD (M-Type, H-Type)
<b>Memory Cards w/Adapter</b>	
<b>MultiMediaCard (MMC™):</b>	MMCmicro™
<b>Memory Stick® (MS):</b>	Memory Stick Micro™ (M2)

## Ordering Information

<i>Device Description</i>	<i>Transcend P/N</i>
<b>Transcend Multi-Card Reader M2 Blue</b>	TS-RDM2B
<b>Transcend Multi-Card Reader M2 Orange</b>	TS-RDM2R
<b>Transcend Multi-Card Reader M2 Silver</b>	TS-RDM2S

# Multi-Card Reader TS-RDM3 Specifications

● <b>Size (L x W x H):</b>	85mm x 50mm x 14mm
● <b>Weight:</b>	37g
● <b>Max. Transfer Speed:</b>	480Mbits (60MB) per second
● <b>Operating Voltage:</b>	5V DC from USB Port
● <b>Operating Temperature:</b>	0°C (32°F) to 70°C (158°F)
● <b>Storage Temperature:</b>	-40°C (-40°F) to 85°C (185°F)
● <b>Certificates:</b>	CE, FCC Class B, BSMI

<b>Memory Cards</b>	
<b>CompactFlash®(CF):</b>	CompactFlash® (CF) TypeI/II, MicroDrive
<b>Secure Digital (SD™):</b>	Secure Digital (SD™), Secure Digital High Capacity (SDHC™), miniSD™, miniSDHC™, microSD™ / TransFlash™
<b>MultiMediaCard (MMC™):</b>	MultiMediaCard (MMC™), MMCplus™, RS-MMC, MMCmobile™
<b>Memory Stick® (MS):</b>	Memory Stick® (MS), Memory Stick PRO™, Memory Stick Duo™, Memory Stick PRO Duo™, Memory Stick Micro™ (M2)
<b>xD:</b>	xD (M-Type, H-Type)
<b>Memory Cards w/Adapter</b>	
<b>MultiMediaCard (MMC™):</b>	MMCmicro™

## Ordering Information

<i>Device Description</i>	<i>Transcend P/N</i>
<b>Transcend Multi-Card Reader M3 White</b>	<b>TS-RDM3W</b>

# Multi-Card Reader TS-RDM5 Specifications

● <b>Size (L x W x H):</b>	70mm x 70mm x 15mm
● <b>Weight:</b>	43g
● <b>Max. Transfer Speed:</b>	480Mbits (60MB) per second
● <b>Operating Voltage:</b>	5V DC from USB Port
● <b>Operating Temperature:</b>	0°C (32°F) to 70°C (158°F)
● <b>Storage Temperature:</b>	-40°C (-40°F) to 85°C (185°F)
● <b>Certificates:</b>	CE, FCC Class B, BSMI

<b>Memory Cards</b>	
<b>CompactFlash®(CF):</b>	CompactFlash® (CF) TypeI/II, MicroDrive
<b>Secure Digital (SD™):</b>	Secure Digital (SD™), Secure Digital High Capacity (SDHC™), miniSD™, miniSDHC™, microSD™ / TransFlash™, microSDHC™
<b>MultiMediaCard (MMC™):</b>	MultiMediaCard (MMC™), MMCplus™, RS-MMC, MMCmobile™
<b>Memory Stick® (MS):</b>	Memory Stick® (MS), Memory Stick PRO™, Memory Stick Duo™, Memory Stick PRO Duo™, Memory Stick Micro™ (M2)
<b>xD:</b>	xD (M-Type, H-Type)
<b>Memory Cards w/Adapter</b>	
<b>MultiMediaCard (MMC™):</b>	MMCmicro™

## Ordering Information

<i>Device Description</i>	<i>Transcend P/N</i>
<b>Transcend Multi-Card Reader M5 White</b>	TS-RDM5W
<b>Transcend Multi-Card Reader M5 Red</b>	TS-RDM5R

# Transcend Limited Warranty

“Above and Beyond” is the standard we set ourselves for customer service at Transcend. We consistently position ourselves to be significantly above the industry norm, which is all part of our commitment to Customer Satisfaction.

All **Transcend information, Inc. (Transcend)** products are warranted and tested to be free from defects in material and workmanship and to conform to the published specifications. During the warranty period should your Transcend **Multi-Card Reader** fail under normal use in the recommended environment due to improper workmanship or materials, Transcend will repair the product or replace it with a comparable one. This warranty is subject to the conditions and limitations set forth herein.

**Duration of Warranty:** The Transcend **Multi-Card Reader** is covered by this warranty for a period of two (2) years from the date of purchase. Proof of purchase including the date of purchase is required to collect on the warranty. Transcend will inspect the product and decide whether to repair or replace it. Transcend reserves the right to provide a functional equivalent product, or a refurbished replacement product.

**Limitations:** This warranty does not apply to product failure caused by accidents, abuse, mishandling, improper installation, alteration, acts of nature, improper usage, or problems with electrical power. In addition, opening or tampering with the product casing, or any physical damage, abuse or alteration to the product’s surface, including all warranty or quality stickers, product serial or electronic numbers will also void the product warranty. Transcend is not responsible for recovering any data lost due to the failure of a hard drive or flash memory device. Transcend’s **Multi-Card Reader** must be used with devices that conform to the recommended industry standards. Transcend will not be liable for damages resulting from a third party device that causes the Transcend **Multi-Card Reader** to fail. Transcend shall in no event be liable for any consequential, indirect, or incidental damages, lost profits, lost business investments, lost goodwill, or interference with business relationships as a result of lost data. Transcend is also not responsible for damage or failure of any third party equipment, even if Transcend has been advised of the possibility. This limitation does not apply to the extent that it is illegal or unenforceable under applicable law.

**Disclaimer:** The foregoing limited warranty is exclusive. There are no other warranties, including any implied warranty of merchantability or fitness for a particular purpose. This warranty is not affected in any part by Transcend providing technical support or advice. Please read Transcend’s Warranty Policy in full to understand your rights.

**Transcend Warranty Policy:** <http://www.transcendusa.com/Warranty>

**Online Registration:** To expedite the warranty service, please register your Transcend Product within 30 days of purchase.

**Register online at** <http://www.transcendusa.com/productregister>

❖ The specifications mentioned above are subject to change without notice.

***Transcend***  
***Exceeding Your Expectations***

***Transcend Information, Inc.***

[www.transcendusa.com](http://www.transcendusa.com)

\*The Transcend logo is a registered trademark of Transcend Information, Inc.

\*All logos and marks are trademarks of their respective companies.

## Free Manuals Download Website

<http://myh66.com>

<http://usermanuals.us>

<http://www.somanuals.com>

<http://www.4manuals.cc>

<http://www.manual-lib.com>

<http://www.404manual.com>

<http://www.luxmanual.com>

<http://aubethermostatmanual.com>

Golf course search by state

<http://golfingnear.com>

Email search by domain

<http://emailbydomain.com>

Auto manuals search

<http://auto.somanuals.com>

TV manuals search

<http://tv.somanuals.com>