

# TS-RDP6

## USB2.0 Compact Card Reader

### Description

TS-RDP6 is a USB2.0 Compact Card Reader. It is designed for fast, easy data transfer and exchange using multiple types of Memory Cards.

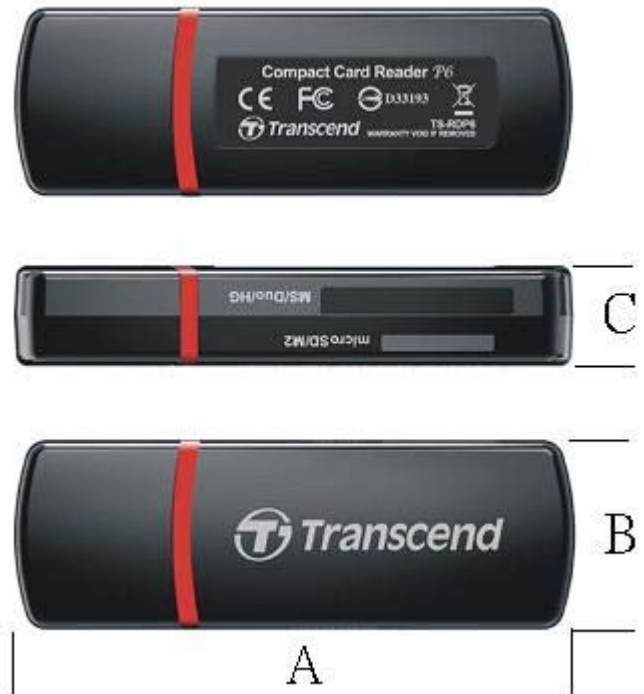
### Features

- Color: Black(Cap & Case)/Red(Frame)
- Fully Compliant with the Hi-Speed USB 2.0 specification
- Hi-Speed Data transfer rates of up to 480Mb/s
- USB powered (no external power or battery needed)
- LED indicates card insertion and data traffic
- Compatible Cards :

Directly:

- Memory Stick
- Memory Stick PRO
- Memory Stick Duo
- Memory Stick PRO Duo
- Memory Stick PRO-HG Duo
- Memory Stick Micro (M2)
- microSDHC
- microSD / TransFlash

### Placement



### Dimensions

| Side | Millimeters | Inches      |
|------|-------------|-------------|
| A    | 66.90 ± 1.0 | 2.63 ± 0.04 |
| B    | 22.60 ± 1.0 | 0.89 ± 0.04 |
| C    | 12.00 ± 1.0 | 0.47 ± 0.04 |

### System Requirements

- Desktop or notebook computer with a working USB port
- One of the following Operating Systems:
  - Windows® Me
  - Windows® 2000
  - Windows® XP
  - Windows Vista™
  - Mac™ OS 9.0, or later
  - Linux™ Kernel 2.4.2, or later

# TS-RDP6

## USB2.0 Compact Card Reader

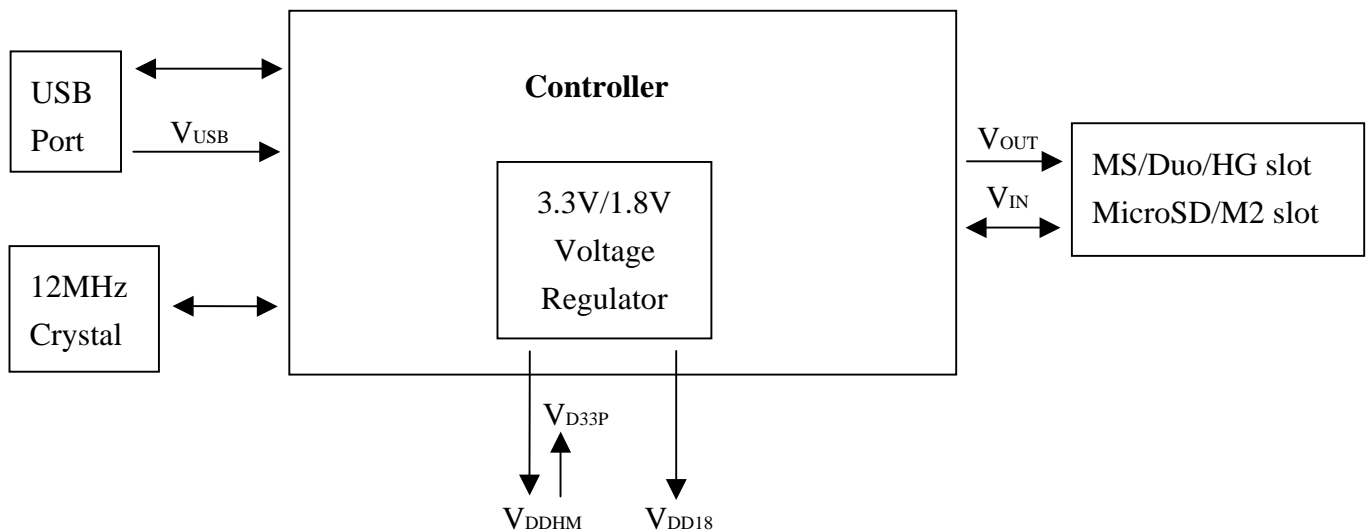
### Pinouts

| Pin No. | Pin Name         |
|---------|------------------|
| 01      | V <sub>USB</sub> |
| 02      | USB-             |
| 03      | USB+             |
| 04      | VSS              |

### Pin Identification

| Symbol           | Function   |
|------------------|--|
| USB-             | USB differential signal:<br>The pairs are used to transmit<br>Data/Address/Command |
| USB+             |  |
| VSS              | Ground   |
| V <sub>USB</sub> | USB Power Input  |

### Block Diagram



### Recommended Operating Conditions:

| SYMBOL           | PARAMETER             | MIN. | TYP. | MAX. | UNITS |
|------------------|-----------------------|------|------|------|-------|
| V <sub>USB</sub> | Power Supply          | 4.5  | 5.0  | 5.5  | V     |
| T <sub>OPR</sub> | Operating Temperature | 0    |      | 70   | °C    |

### DC Characteristics:

| SYMBOL            | PARAMETER            | MIN. | TYP. | MAX.                   | UNITS |
|-------------------|----------------------|------|------|------------------------|-------|
| V <sub>DDHM</sub> | Input Voltage        | 3.0  | 3.3  | 3.6                    | V     |
| V <sub>IN</sub>   | Input Signal Voltage | -0.3 |      | V <sub>DDHM</sub> +0.3 | V     |
| V <sub>OUT</sub>  | Output Voltage       | 3.0  | 3.3  | 3.6                    | V     |
| V <sub>DD18</sub> | Supply Voltage       | 1.62 | 1.8  | 1.98                   | V     |

### DC Electrical Characteristics of 3.3V I/O:

| SYMBOL            | PARAMETER           | MIN. | TYP. | MAX. | UNITS |
|-------------------|---------------------|------|------|------|-------|
| V <sub>D33P</sub> | Supply Voltage      | 3.15 | 3.3  | 3.6  | V     |
| V <sub>IL</sub>   | Input Low Voltage   |      |      | 0.8  | V     |
| V <sub>IH</sub>   | Input High Voltage  | 2.0  |      |      | V     |
| V <sub>OL</sub>   | Output Low Voltage  |      |      | 0.4  | V     |
| V <sub>OH</sub>   | Output High Voltage | 2.4  |      |      | V     |

Above technical information is based on industry standard data and tested to be reliable. However, Transcend makes no warranty, either expressed or implied, as to its accuracy and assumes no liability in connection with the use of this product. Transcend reserves the right to make changes in specifications at any time without prior notice.

## Free Manuals Download Website

<http://myh66.com>

<http://usermanuals.us>

<http://www.somanuals.com>

<http://www.4manuals.cc>

<http://www.manual-lib.com>

<http://www.404manual.com>

<http://www.luxmanual.com>

<http://aubethermostatmanual.com>

Golf course search by state

<http://golfingnear.com>

Email search by domain

<http://emailbydomain.com>

Auto manuals search

<http://auto.somanuals.com>

TV manuals search

<http://tv.somanuals.com>