

TS0MSM2PC

SmartMedia™ Adapter

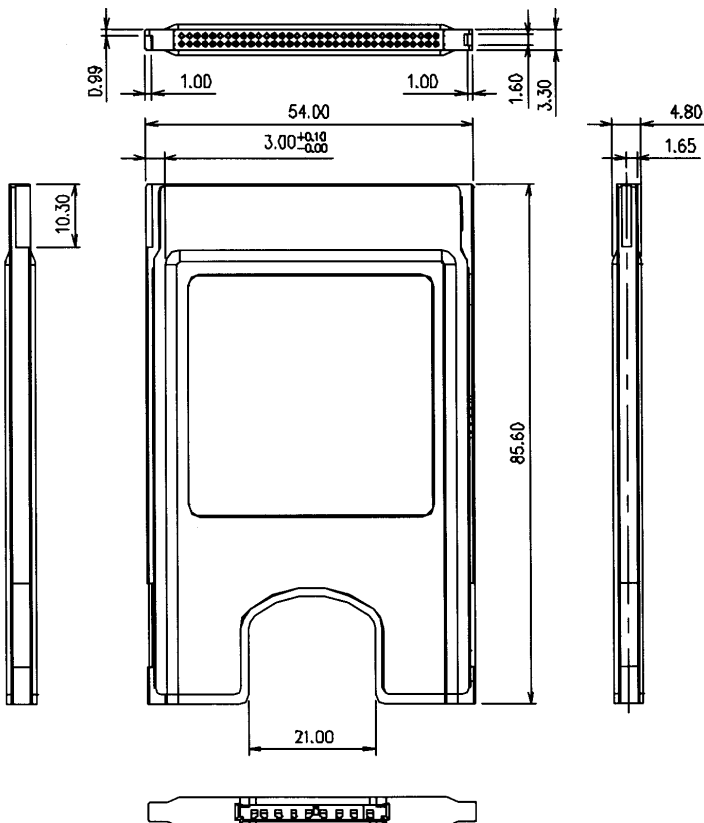
Description

TS0MSM2PC is a simple SmartMedia™ Adapter that takes your SmartMedia™ card compatible with a standard Type II PCMCIA slot. When installed, the SmartMedia™ card acts like a small disk, using the high throughput of the PCMCIA bus to make SmartMedia™ card transfers a quick and painless procedure.

System Requirements

- Desktop or notebook computer with PCMCIA host connector

Placement & Dimensions



Unit : mm

Features

- Converts SmartMedia™ into Type II PC Card format
- Maintains full functionality of SmartMedia™ card with no degradation in performance
- Use in any Notebook or PC Card Drive
- 100% SmartMedia™ compliant
- Low power, high speed
- Support Hot-Swapping, Dynamic plug-in/remove from PCMCIA socket without turn off the system.
- True plug and play operation, transfer your data quickly and easily.
- Humidity : 8%~95% RH
- Emission / Safety : FCC Class B, CE, BSMI
- Dimension : 85.6 X 54 X 4.8 mm

TS0MSM2PC

SmartMedia™ Adapter

68Pins Pinouts

Pin No.	Pin Name	Pin No.	Pin Name	Pin No.	Pin Name	Pin No.	Pin Name
01	GND	18	RFU	35	GND	52	RFU
02	D3	19	RFU	36	/CD1	53	RFU
03	D4	20	RFU	37	D11	54	RFU
04	D5	21	RFU	38	D12	55	RFU
05	D6	22	A7	39	D13	56	RFU
06	D7	23	A6	40	D14	57	RFU
07	/CE1	24	A5	41	D15	58	RST
08	A10	25	A4	42	/CE2	59	/WAIT
09	/OE	26	A3	43	RFU	60	RFU
10	RFU	27	A2	44	/IORD	61	/REG
11	A9	28	A1	45	/IOWR	62	SPKR
12	A8	29	A0	46	RFU	63	/STSG
13	RFU	30	D0	47	RFU	64	D8
14	RFU	31	D1	48	RFU	65	D9
15	/WE	32	D2	49	RFU	66	D10
16	/IRQ	33	/IO16	50	RFU	67	/CD2
17	VDD	34	GND	51	VDD	68	GND

Pin Identification

Symbol	Function
D0 ~ D15	Data Bus (Bi-directional)
A0 ~ A10	Address Bus (Input)
/CE1, /CE2	Card Enable (Input)
/OE, /WE	Output / Write Enable (Input)
/REG	Register Select (Input)
/IORD, /IOWR	I/O access (Input)
/CD1, /CD2	Card Detect (Output)
/IRQ, /IO16, RST /WAIT, SPRK, /STSG	I/O Handshaking (Input/Output)
RFU	Reserved for Future Use
VDD	+5V power input

Recommended Operating Conditions

Parameter	Min.	Typical	Max.
Power Supply Voltage (VDD)	4.5V	5V	5.5V
Operating Temperature	0°C		70°C
Storage Temperature	-20° C		85° C

Above technical information is based on industry standard data and tested to be reliable. However, Transcend makes no warranty, either expressed or implied, as to its accuracy and assumes no liability in connection with the use of this product. Transcend reserves the right to make changes in specifications at any time without prior notice.

Free Manuals Download Website

<http://myh66.com>

<http://usermanuals.us>

<http://www.somanuals.com>

<http://www.4manuals.cc>

<http://www.manual-lib.com>

<http://www.404manual.com>

<http://www.luxmanual.com>

<http://aubethermostatmanual.com>

Golf course search by state

<http://golfingnear.com>

Email search by domain

<http://emailbydomain.com>

Auto manuals search

<http://auto.somanuals.com>

TV manuals search

<http://tv.somanuals.com>