

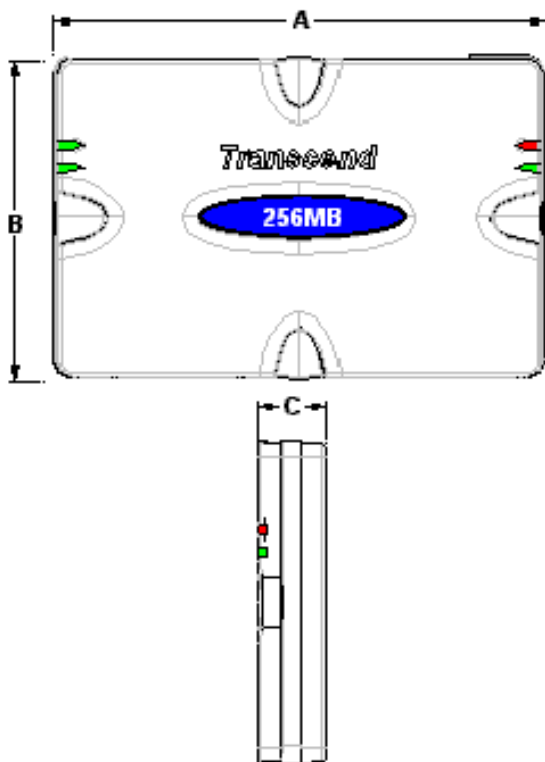
TS256MFLRD7

USB2.0 7-in-1 Card Reader

Description

TS256MFLRD7 is a 256MB USB2.0 7-in-1 Card Reader. With 3 slots, it is a small device designed for fast, easy data storage and exchange using 7 types of storage media: CompactFlash™, IBM Microdrive™, SmartMedia™, Secure Digital Card, MultiMediaCard™, Memory Stick® / Memory Stick PRO, and a built-in 256MB Flash Disk.

Placement



System Requirements

- Desktop or notebook computer with USB port
- One of following operating systems:
Win® 98SE, Win® Me, Win® 2000, Win® XP, Mac™ OS, and Linux.

Features

- 100% Compatible with USB Interface in Windows or Mac
- Single Power Supply: 3.3V / 5V ± 10%
- Durability of Connector: 10000 times
- Recommended Operating Temperature : 0 – 70 °C
- Compliant with USB specification version 2.0
- High-speed with transfer rate up to 480Mbit/sec
- Support CompactFlash™ Card, IBM Microdrive™, SmartMedia™ Card, MultiMediaCard™, Secure Digital Card, Memory Stick® / Memory Stick PRO, and Built-in Flash Disk
- No external power needed
- Supports Resume Suspend and Low Power modes
- LEDs indicate card insertion and data traffic

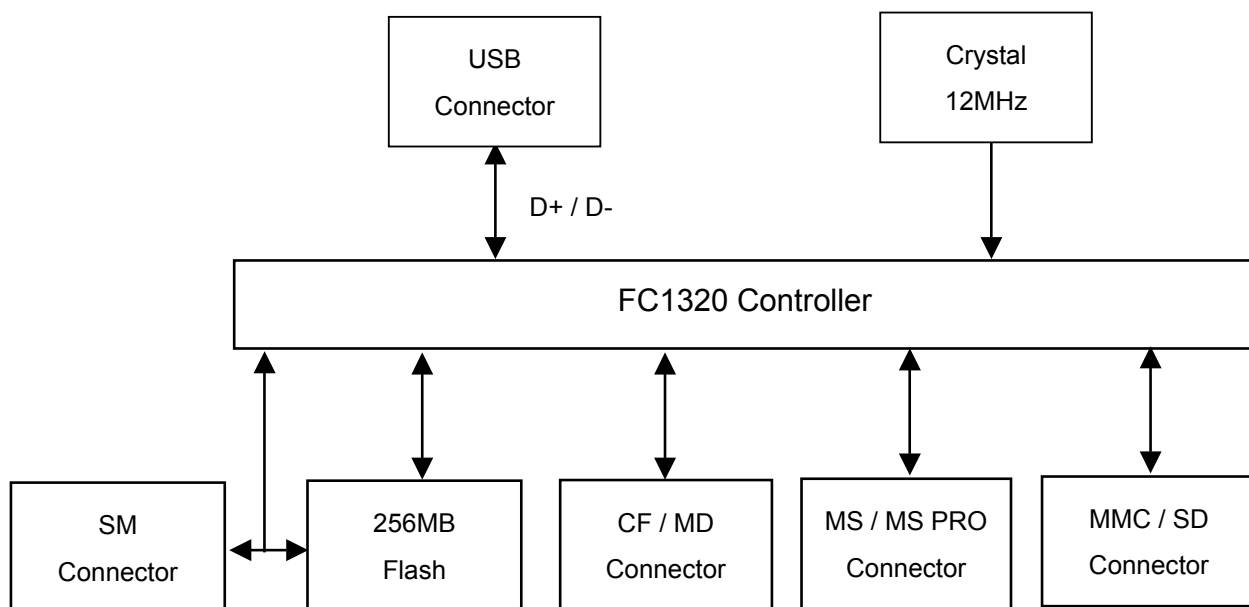
Dimensions

Side	Millimeters	Inches
A	97.00 ± 1.00	3.82± 0.04
B	64.00 ± 1.00	2.52 ± 0.04
C	14.00 ± 1.00	0.55 ± 0.04

TS256MFLRD7

USB2.0 7-in-1 Card Reader

Block Diagram



Pinouts

Pin No.	Pin Name
01	VCC
02	USB-
03	USB+
04	VSS

Pin Identification

Symbol	Function
USB- USB+	USB differential signal: The pairs are used to transmit Data/Address/Command
VSS	Ground
VCC	USB Power Input

Absolute Maximum Ratings

Symbol	Parameter	Rating	Units
V _{CC}	2.5V Power supply	-0.3 to 3.0	V
	3.3 Power supply	-0.3 to 3.9	V
V _{IN2}	Input voltage of 2.5V I/O	-0.3 to V _{CC2I} +0.3	V
	Input voltage of 2.5V I/O with 3.3V Tolerance	-0.3 to 3.9	V
V _{IN3}	Input voltage of 3.3V I/O	-0.3 to V _{CC3I} +0.3	V
	Input voltage of 3.3V I/O with 5V Tolerance	-0.3 to 5.5	V
T _{STG}	Storage temperature	-40 to 150	°C

Recommended Operating Conditions

Symbol	Parameter	Min.	TYP	Max.	Units
V _{CCk}	Core Power supply	2.25	2.5	2.75	V
V _{CC3I}	Power Supply of 3.3V I/O	3.0	3.3	3.6	V
V _{CC3O}	Power Supply of 3.3V I/O	3.0	3.3	3.6	V

DC Characteristics

Sym.	Parameter	Conditions	Min	Typ	Max	Units
I _{IL}	Input leakage current	no pull up/down	-10		10	μA
I _{OZ}	Tri-state leakage current		-10		10	μA
C _{IN}	Input capacitance			3.1		pF
C _{OUT}	Output capacitance			3.1		pF
C _{BID}	Bi-directional Buffer capacitance			3.1		pF

TS256MFLRD7

USB2.0 7-in-1 Card Reader

DC Electrical Characteristics

Sym.	Parameter	Min	Typ	Max	Units
V _{CCK}	Core Power Supply	2.25	2.5	2.75	V
V _{CC2I}	Power Supply	3.0	3.3	3.6	V
V _{CC2O}	Power Supply	3.0	3.3	3.6	V
V _{IL}	Input Low Voltage			0.8	V
V _{IH}	Input High Voltage	2.0			V
V _{t-}	Schmitt input low voltage	0.8	1.1		V
V _{t+}	Schmitt input high voltage		1.6	2.0	V
V _{OL}	Output low voltage			0.4	V
V _{OH}	Output high voltage	2.4			V
R _{pu} / R _{pd}	Input pull up/down resistance		75		kΩ

AC Characteristics

Sym.	Description	Min.	Typ.	Max.	Unit
T _c	Clock cycle time		83.3		ns
T _{lpd}	Clock low pulse duration	0.4T _c		0.6T _c	ns
T _{hpd}	Clock high pulse duration	0.4T _c		0.6T _c	ns

Above technical information is based on industry standard data and tested to be reliable. However, Transcend makes no warranty, either expressed or implied, as to its accuracy and assumes no liability in connection with the use of this product. Transcend reserves the right to make changes in specifications at any time without prior notice.

Free Manuals Download Website

<http://myh66.com>

<http://usermanuals.us>

<http://www.somanuals.com>

<http://www.4manuals.cc>

<http://www.manual-lib.com>

<http://www.404manual.com>

<http://www.luxmanual.com>

<http://aubethermostatmanual.com>

Golf course search by state

<http://golfingnear.com>

Email search by domain

<http://emailbydomain.com>

Auto manuals search

<http://auto.somanuals.com>

TV manuals search

<http://tv.somanuals.com>