

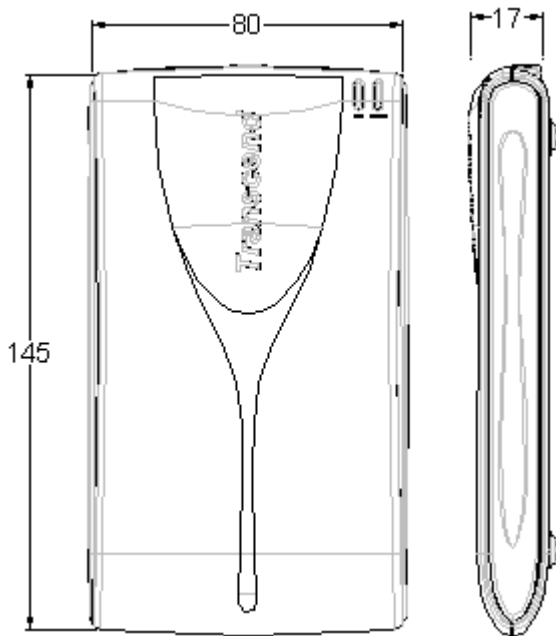
# TS40GHDENC

40GB Portable Hard Disk

## Description

TS40GHDENC is a USB 2.0 40GB Portable Hard Disk. This device is a 40GB 2.5" hard disk drive (HDD) installed in a Portable Hard Disk Enclosure. It is designed to expedite exchanging huge amounts of data between this device and any desktop or notebook computers.

## Placement



## System Requirements

- Desktop or notebook computers with USB port
- One of following operating systems:  
Win<sup>®</sup> 98, Win<sup>®</sup> Me, Win<sup>®</sup> 2000, Win<sup>®</sup> XP, Mac<sup>™</sup> OS

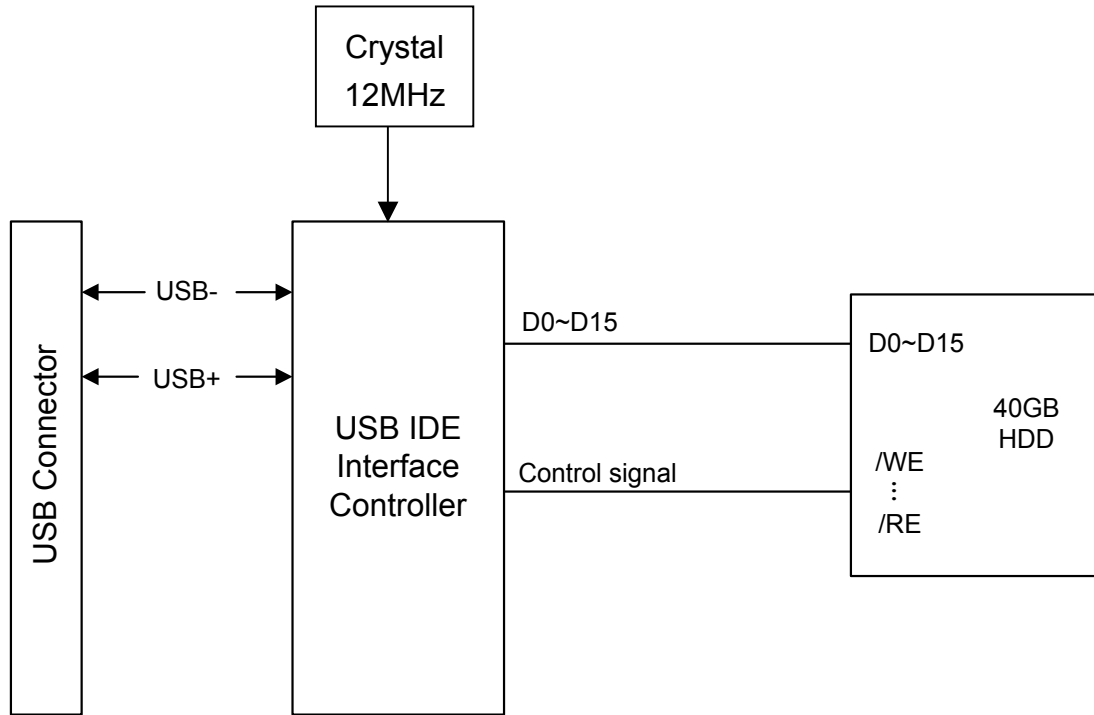
## Features

- 100% Compatible with USB Interface in Windows or Mac
- Single Power Supply: 5V  $\pm$  10%
- Connector Durability: 10000 times
- Recommended operating temperature : 0 – 50 °C
- USB connection for true Plug and Play
- Supports Resume Suspend and Low power modes
- Compliant with USB specification version 1.1 & 2.0
- Support 2.5" hard disk drive (Height: 9.5mm)
- USB bus power or PS/2 port power needed.
- LEDs indicate Power On and Data Traffic

## Dimensions

Side	Millimeters	Inches
A	145.00 $\pm$ 1.00	5.71 $\pm$ 0.04
B	80.00 $\pm$ 1.00	3.15 $\pm$ 0.04
C	17.00 $\pm$ 1.00	0.67 $\pm$ 0.04

## Block Diagram



### Pinouts

Pin No.	Pin Name
01	VCC
02	USB-
03	USB+
04	VSS

### Pin Identification

Symbol	Function
USB-	USB differential signal:
USB+	The pairs are used to transmit Data/Address/Command
VSS	Ground
VCC	USB power input

## Electrical Characteristics

### Absolute Maximum Ratings

Supply Voltage Range, (VCC)	-0.3V to 3.6V
Input Voltage Range	-0.3V to (VCC+0.3V)
Output Voltage Range	-0.3V to (VCC+0.3V)
Operating temperature	0°C to 70°C
ESD Human Body Model	7 kV

### Recommended Operation Conditions

	NOM.	MIN.	MAX.	UIITS
Supply voltage	3.3	3.0	3.6	V
Input voltage		0	VCC	V
Output voltage			VCC	V
High-level input voltage, VIH		0.7VCC	VCC	V
Low-level input voltage, VIL		0	0.3VCC	V
Operating Temperature	25	0	70	0°C

### Electrical Characteristics

PARAMETER	TEST CONDITIONS	MIN.	MAX.	UIITS
High-level output voltage, Voh	Ioh = -12mA Ioh = -8mA	0.8VCC		V
Low-level output voltage, Vol	Iol = 12mA Iol = 8mA		0.2VCC	V

# TS40GHDENC

40GB Portable Hard Disk

## HDD Physical Specifications:

Dimensions		Unit
Height	9.5	mm
Weight	70	mm
Depth	100	mm
Weight	91	g

Temperature		Unit
Operating	5 ~ 55	°C
Non-Operating	-40 ~ 70	°C

Relative Humidity		Unit
Operating	5 ~ 90	%
Non-Operating	5 ~ 95	%

## Power Requirements(Supply voltage 5V ± 5%):

Power consumption		Unit
Seek current	0.45	A
Spin-up current	0.90	A
Idle current	0.13	A
Read/Write current	0.40	A
Sleep current	0.02	A
Stand-by current	0.03	A

Above technical information is based on industry standard data and tested to be reliable. However, Transcend makes no warranty, either expressed or implied, as to its accuracy and assumes no liability in connection with the use of this product. Transcend reserves the right to make changes in specifications at any time without prior notice.

## Free Manuals Download Website

<http://myh66.com>

<http://usermanuals.us>

<http://www.somanuals.com>

<http://www.4manuals.cc>

<http://www.manual-lib.com>

<http://www.404manual.com>

<http://www.luxmanual.com>

<http://aubethermostatmanual.com>

Golf course search by state

<http://golfingnear.com>

Email search by domain

<http://emailbydomain.com>

Auto manuals search

<http://auto.somanuals.com>

TV manuals search

<http://tv.somanuals.com>