

Name of Mfg: **Transition Networks**  
6475 City West Parkway, Minneapolis MN 55344 USA

Model: **Media Conversion Center AC Power Supply**

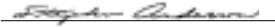
Part Number: **E-MCC-PS**

Regulation: **EMC Directive 89/336/EEC**

Purpose: To declare that the *E-MCC-PS* to which this declaration refers is in conformity with the following standards.

EMC-CISPR 22: 1985 Class A; EN 55022: 1988 Class A; EN 50082-1:1992; EN 60950 A4:1997; IEC 801.2, IEC 801.3, and IEC 801.4; IEC 950

*I, the undersigned, hereby declare that the equipment specified above conforms to the above Directive(s) and Standard(s).*

  
Stephen Anderson, Vice-President of Engineering

April 8, 1999  
Date

## COMPLIANCE INFORMATION

UL Listed  
C-UL Listed (Canada)  
CISPR/EN55022 Class A

### FCC Regulations

This equipment has been tested and found to comply with the limits for a class A digital device, pursuant to part 15 of the FCC rules. These limits are designed to provide reasonable protection against harmful interference when the equipment is operated in a commercial environment. This equipment generates, uses, and can radiate radio frequency energy and, if not installed and used in accordance with the instruction manual, may cause harmful interference to radio communications. Operation of this equipment in a residential area is likely to cause harmful interference, in which case the user will be required to correct the interference at the user's own expense.

### Canadian Regulations

This digital apparatus does not exceed the Class A limits for radio noise for digital apparatus set out on the radio interference regulations of the Canadian Department of Communications.

Le présent appareil numérique n'émet pas de bruits radioélectriques dépassant les limites applicables aux appareils numériques de la classe A prescrites dans le Règlement sur le brouillage radioélectrique édicté par le ministère des Communications du Canada.

### European Regulations

#### Warning

This is a Class A product. In a domestic environment this product may cause radio interference in which case the user may be required to take adequate measures.

#### Achtung !

Dieses ist ein Gerät der Funkstörgrenzwertklasse A. In Wohnbereichen können bei Betrieb dieses Gerätes Rundfunkstörungen auftreten, in welchen Fällen der Benutzer für entsprechende Gegenmaßnahmen verantwortlich ist.

#### Attention !

Ceci est un produit de Classe A. Dans un environnement domestique, ce produit risque de créer des interférences radioélectriques, il appartiendra alors à l'utilisateur de prendre les mesures spécifiques appropriées

### Trademark Notice

All registered trademarks and trademarks are the property of their respective owners.

### Copyright Restrictions

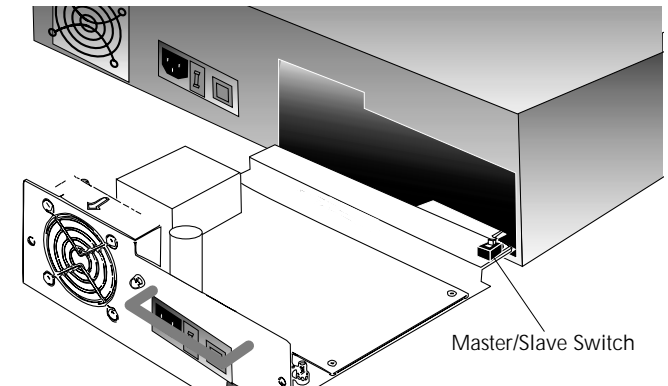
© 1999 TRANSITION Networks.

All rights reserved. No part of this work may be reproduced or used in any form or by any means – graphic, electronic, or mechanical – without written permission from TRANSITION Networks.

Printed in the U.S.A.

# Optional AC Power Supply Module for E-MCC-1600 Chassis

## E-MCC-PS INSTALLATION GUIDE



NOTE: Power Supply Modules can be "hot swapped".

*The E-MCC-PS MAY or MAY NOT be shipped with the Master/Slave switch shown installed on the circuit board.*

*If present, the Master/Slave switch allows the Power Supply Module to be configured as the primary (master) Power Supply Module or as the secondary (slave) Power Supply Module.*

*If any Power Supply Module WITHOUT a Master/Slave switch is installed in the E-MCC-1600 chassis, by default that Power Supply Module is secondary (slave).*

*If neither Power Supply Module has a Master/Slave switch, primary/secondary status is automatic and non-configurable.*

*If both Power Supply Modules have Master/Slave switches and both are configured as the primary (master) Power Supply Module, each Power Supply Module contributes a portion of the power to the chassis ("load sharing").*

**CAUTION: When installing a Power Supply Module that has a Master /Slave switch in a chassis with a Power Supply Module that does not have a Master/Slave switch, the Power Supply Module with the Master/Slave switch MUST BE CONFIGURED AS PRIMARY (MASTER).**

**When installing two Power Supply Modules that have Master/Slave switches, at least one Power Supply Module MUST BE CONFIGURED AS PRIMARY (MASTER). Failure to observe this caution could result in damage to, and subsequent failure of, Power Supply Module(s).**

# INSTALLATION

**WARNING:** Do NOT connect Power Supply Module to AC power before installing in Media Conversion Center. Failure to observe this caution could result in equipment damage and/or personal injury or death.

**CAUTION:** Wear a grounding device and observe electrostatic discharge precautions when setting Master/Slave configuration switch and when installing Power Supply Module in Media Conversion Center. Failure to observe this caution could result in damage to, and subsequent failure of, Power Supply Module.

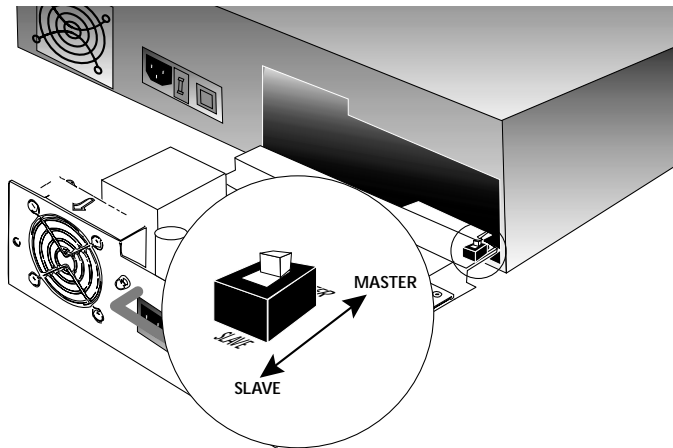
## Set Master/Slave Switch, if Applicable

1. Determine if *Master/Slave* switch is installed on Power Supply Module.

NOTE: If *Master/Slave* switch is installed on ANY Power Supply Module installed in chassis, ensure that **AT LEAST ONE** Power Supply Module in the E-MCC-1600 chassis is configured as the primary (master) Power Supply Module.

2. Set *Master/Slave* switch, if necessary.

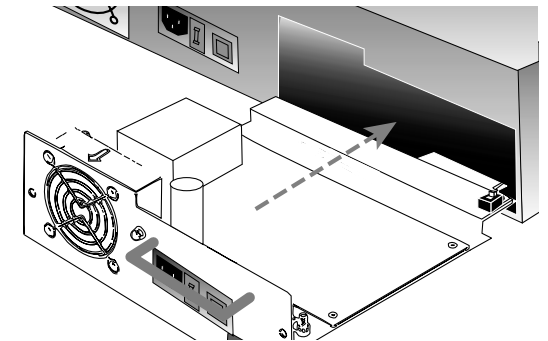
To configure the Power Supply Module as the primary (master) Power Supply Module, set *Master/Slave* switch to position labeled "MASTER".



To configure the Power Supply Module as the secondary (slave) Power Supply Module, set *Master/Slave* switch to position labeled "SLAVE".

## Install Power Supply Module in Chassis

1. Locate Power Supply Module installation slot on Media Conversion Center chassis back.
2. Remove Power Supply Module protective plate from installation slot by removing and retaining two (2) screws that secure protective plate to back of Media Conversion Center chassis.
3. Carefully slide Power Supply Module into Media Conversion Center installation slot, aligning Power Supply Module with installation guides.



NOTE: Ensure that the Power Supply Module is firmly seated against the chassis backplane.

4. Carefully install two (2) screws (retained in Step 2) through Power Supply Module into Media Conversion Center, rotating clockwise to secure.

## Connect to Power

1. Connect female end of power cord to power receptacle on Power Supply Module.
2. Plug male end of power cord into correct voltage AC rack or wall socket.
3. Set Power Supply Module power switch to "I".
4. Verify that Media Conversion Center is powered by observing illuminated Power LED and fan operation.

## Free Manuals Download Website

<http://myh66.com>

<http://usermanuals.us>

<http://www.somanuals.com>

<http://www.4manuals.cc>

<http://www.manual-lib.com>

<http://www.404manual.com>

<http://www.luxmanual.com>

<http://aubethermostatmanual.com>

Golf course search by state

<http://golfingnear.com>

Email search by domain

<http://emailbydomain.com>

Auto manuals search

<http://auto.somanuals.com>

TV manuals search

<http://tv.somanuals.com>