

Jabber: Flashing or lit LED indicates jabber on the line

Collision: Occasional or on LED indicates line collisions

Power: Lit LED indicates normal operation

#### FCC Regulations:

NOTE: This equipment has been tested and found to comply with the limits for a Class A digital device, pursuant to Part 15 of the FCC rules. These limits are designed to provide reasonable protection against harmful interference when the equipment is operated in a commercial environment. This equipment generates, uses, and can radiate radio frequency energy and, if not used in accordance with the instruction manual, may cause harmful interference to radio communications. Operation of this equipment in a residential area is likely to cause harmful interference in which case the user will be required to correct the interference at his own cost.

NOTE: This digital apparatus does not exceed the Class A limits for radio noise for digital apparatus set out on the radio interference regulations of the Canadian Department of Communications.

#### Trademarks:

ST is a registered trademark of AT&T.

Ethernet is a registered trademark of Xerox Corporation, Inc.

#### Technical Support:

For more information about this product or other TRANSITION Networks products, call you local Transition distributor. Or contact us by phone at (612) 941-7600 or fax at (612) 941-2322.

P/N 7320.A

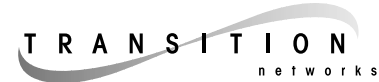
Jabber: Flashing or lit LED indicates jabber on the line

Collision: Occasional or on LED indicates line collisions

Power: Lit LED indicates normal operation

#### FCC Regulations:

NOTE: This equipment has been tested and found to comply with the limits for a Class A digital device, pursuant to Part 15 of the FCC rules. These limits are designed to provide reasonable protection against harmful interference when the equipment is operated in a commercial environment. This equipment generates, uses, and can radiate radio frequency energy and, if not used in accordance with the instruction manual, may cause harmful interference to radio communications. Operation of this equipment in a residential area is likely to cause harmful interference in which case the user will be required to correct the interference at his own cost.

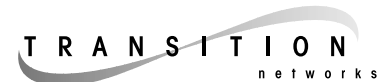
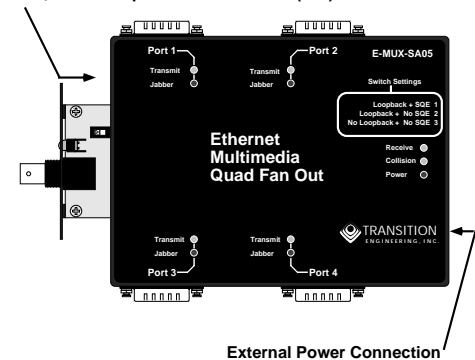


### ETHERNET MULTIMEDIA QUAD AUI FAN OUT E-MUX-SA05

#### About the Multimedia Quad Fan Out:

The TRANSITION Networks Quad AUI Fan Out allows the user to interconnect up to four workstations, hubs or fanouts together (five with the optional slide in card feature). The externally powered AUI Fan Out has four standard AUI (DB-15 male) connections and an expansion slot for installing an additional interface. The SIC's, or slide in cards which are installed in the expansion slot, can be purchased with either an AUI, thin coax, 10BaseT or fiber-optic interface. This solution allows the user added flexibility when installing an Ethernet network, while also reducing the number of transceivers required.

#### Coax, 10BaseT, or Fiber Optional Slide In Card (SIC)



### ETHERNET MULTIMEDIA QUAD AUI FAN OUT E-MUX-SA05

#### About the Multimedia Quad Fan Out:

The TRANSITION Networks Quad AUI Fan Out allows the user to interconnect up to four workstations, hubs or fanouts together (five with the optional slide in card feature). The externally powered AUI Fan Out has four standard AUI (DB-15 male) connections and an expansion slot for installing an additional interface. The SIC's, or slide in cards which are installed in the expansion slot, can be purchased with either an AUI, thin coax, 10BaseT or fiber-optic interface. This solution allows the user

### Features of the Quad Fan Out:

- \* External Configuration Switch
- \* Optional Slide In Cards for AUI, Coax, Twisted Pair and Fiber-optic interfaces
- \* Easy to read LED indicators: Transmit, Receive, Jabber, Collision and Power
- \* A two year warranty
- \* Made in the U.S.A
- \* UL listed, FCC class A compliant

### External Switch Settings:

- 1) Loopback and SQE: Setting 1 when enabled is used for connecting workstations using the AUI ports, (No optional slide in card can be installed).
- 2) Loopback and **No** SQE: Setting 2 when enabled is used for connecting hubs or repeaters using the AUI ports, (No optional slide in card can be installed).
- 3) **No** Loopback and **No** SQE: Setting 3 when enabled for Optional slide in card. Loopback provided by slide in card, the SQE enabled / disabled is selectable on the card (switch located on the top of the card).

### Using the Quad Fan Out:

The Quad AUI Fan Out can be used to connect 4 workstations, hubs or fan outs together. This provides a cost effective solution that reduces the number of transceivers and allows greater flexibility in your network with the optional slide in interface cards. The Quad Fan Out is not a

### Features of the Quad Fan Out:

- \* External Configuration Switch
- \* Optional Slide In Cards for AUI, Coax, Twisted Pair and Fiber-optic interfaces
- \* Easy to read LED indicators: Transmit, Receive, Jabber, Collision and Power
- \* A two year warranty
- \* Made in the U.S.A
- \* UL listed, FCC class A compliant

### External Switch Settings:

repeater and will not extend the distance between segments. The Quad Fan Out must be used with IEEE approved AUI cables.

### Optional Slide in cards:

- \* Fiber-optic interface, P/N E-FRL-SIC
- \* Coax interface, P/N E-CX-SIC
- \* Twisted Pair interface, P/N E-TBT-SIC

### The Quad Fan Out Specifications:

Enclosure size: 6.25 inches X 5 inches X 1.3 inches

AUI Connections: IEEE 802 Ethernet cable, 50 meters max

Optional Coax interface: RG-58 - 50 ohm coaxial cable (610 feet maximum distance)

Optional Twisted Pair interface: Level 4, 2 pair twisted, 330 feet maximum

Optional Fiber-optic interface: ST connectors, 6,600 maximum distance

Environment: 0-70° C, 5% - 90% humidity non-condensing, 0-10,000 foot altitude

Warranty: 2 year limited warranty

### Monitoring The Quad Fan Out LED's:

Transmit (TX): Flashing or lit LED indicates a packet has been transmitted

Receive (RX): Flashing or lit LED indicated a packet has been received

repeater and will not extend the distance between segments. The Quad Fan Out must be used with IEEE approved AUI cables.

### Optional Slide in cards:

- \* Fiber-optic interface, P/N E-FRL-SIC
- \* Coax interface, P/N E-CX-SIC
- \* Twisted Pair interface, P/N E-TBT-SIC

### The Quad Fan Out Specifications:

Enclosure size: 6.25 inches X 5 inches X 1.3 inches

AUI Connections: IEEE 802 Ethernet cable, 50 meters max

## Free Manuals Download Website

<http://myh66.com>

<http://usermanuals.us>

<http://www.somanuals.com>

<http://www.4manuals.cc>

<http://www.manual-lib.com>

<http://www.404manual.com>

<http://www.luxmanual.com>

<http://aubethermostatmanual.com>

Golf course search by state

<http://golfingnear.com>

Email search by domain

<http://emailbydomain.com>

Auto manuals search

<http://auto.somanuals.com>

TV manuals search

<http://tv.somanuals.com>