

Assembly instruction for 33122

- 1 Secure the cover (D) with loop (A), nipple (C) to the fixture (B)
- 2 Secure glass (I) with center pipe (E), nipple (F), check ring (G), washer (H), glass washer (J), nut (K), bottom cap (L) and finial (M).
- 3 Install light bulbs not provided.
- 4 Connect electrical wires at Junction box and secure crossbar, Nipple and canopy loop provided.

READ & SAVE THESE INSTRUCTIONS



NOTE: Fixtures weighing over 25 lbs must be supported independently of the outlet box.

- 1) Rotate arms until in line with center of fixture body. Arms should tighten as they are turned if they do not tighten hex nut at top and bottom of arms
- 2) Screw hex nut on to threaded pipe and screw-threaded pipe into coupling on top of fixture body. Secure threaded pipe in place by tightening hex nut against coupling.
- 3) Slip top trim over threaded pipes and screw on loop.
- 4) Turn off power.
- 5) Supply wires shall enter the outlet box through any knockout except the top center knockout.
- 6) Fixture is to be mounted by a steel pipe with 3/4" of 3/8-18 NPSN thread at bottom (not supplied) Position pipe so that approximately 1/2" of thread protrudes into outlet box, Attach pipe to a structural or bracing member of sufficient strength to support at least 4 times the fixture weight
- 7) Thread pipe coupling onto protruding pipe inside outlet box. Secure in place by tightening allen head screw.
- 8) Thread hex nut onto threaded pipe. Screw threaded pipe into pipe coupling. Secure in place by tightening hex nut against pipe coupling and tightening allen head screw.
- 9) Thread hex nut. Slip on ground wire and thread a second hex nut onto threaded pipe.
- 10) Connect screw collar loop (without threaded ring) to threaded pipe.
- 11) Pass canopy over screw collar loop. Approximately one-half of the screw collar loop extensor thread should be exposed, Adjust loop as required, Remove canopy and tighten hex nut against screw collar loop. Tighten second hex nut against first to hold ground wire in place.
- 12) Attach chain to fixture (not shown)
- 13) Slip threaded ring then canopy onto chain
- 14) Attach chain (with fixture connected) to bottom of screw collar loop
- 15) Weave sisitcal wire and ground wire up chain through screw collar loop.
- 16) Connect fixture ground wire and ground wire

attach to threaded pipe to outlet box ground wire with wire connector (not provided). Never connect ground wire to black or white power supply wires.

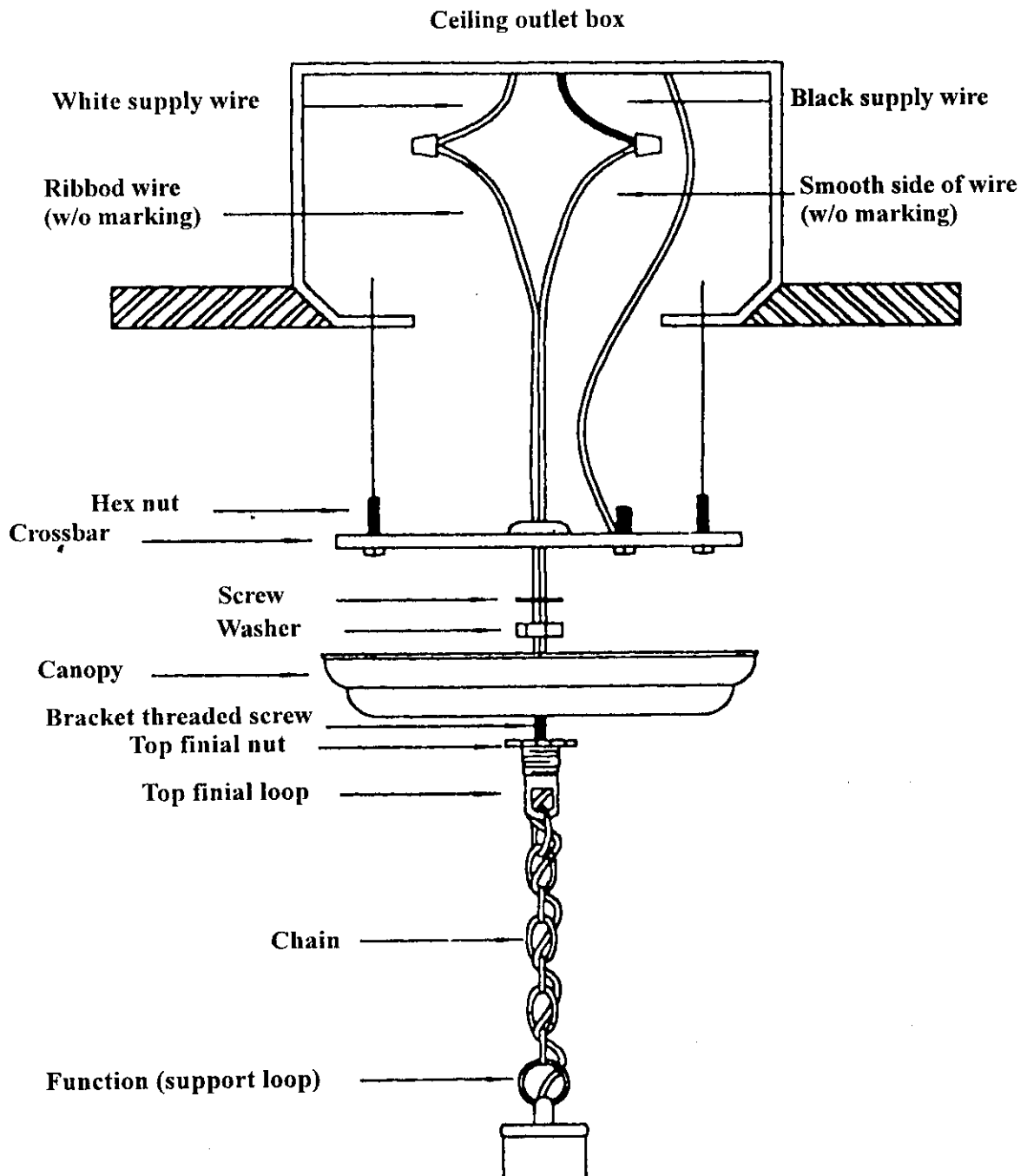
- 17) Make wire connections (connectors not provide). Reference chart below for correct connections and wire accordingly.
- 18) Raise canopy to ceiling
- 19) Secure canopy in place by screwing threaded ring onto screw collar loop
- 20) Carefully slip glasses half plate inside arms and seat on top of fixture plate allowing studs to pass through holes glass. Secure in place with nylon washer and ball knob (DO NOT over tighten), Repeat for remaining glass half plate
- 21) Lift ring up to fixture allowing threaded pipe and screw-threaded pipe into coupling on bottom of fixture body, Secure threaded pipe in place by tightening hex nut against coupling.
- 22) Screw hex nut on to threaded pipe and screw threaded pipe into coupling on bottom of fixture body. Secure threaded pipe in place by tightening hex nut against coupling.
- 23) Carefully lift glass up to ring and over threaded pipe into coupling on bottom of fixture body. Secure threaded pipe in place by tightening hex nut against coupling.
- 24) Slip trim over threaded pipe and screw on finial.

Connect Black or Red Supply Wire to:	Connect White Supply Wire to:
Black	White
Parallel cord (round & smooth)	Parallel cord (square & ridged)
Clear, Brown, Gold or Black without tracer	Clear, Brown, Gold or Black with tracer
Insulated wire (other than green) with copper conductor	Insulated wire (other than green) with silver conductor

Notes: When parallel wires(SPTI & SPTIII)are used,The Neutral wire is square shaped or ridged and the other wire Will be round in shape or smooth (see us)



Installation Instructions for Hanging System, Ceiling



Free Manuals Download Website

<http://myh66.com>

<http://usermanuals.us>

<http://www.somanuals.com>

<http://www.4manuals.cc>

<http://www.manual-lib.com>

<http://www.404manual.com>

<http://www.luxmanual.com>

<http://aubethermostatmanual.com>

Golf course search by state

<http://golfingnear.com>

Email search by domain

<http://emailbydomain.com>

Auto manuals search

<http://auto.somanuals.com>

TV manuals search

<http://tv.somanuals.com>