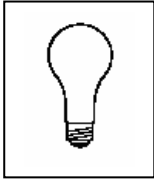


Assembly Instructions

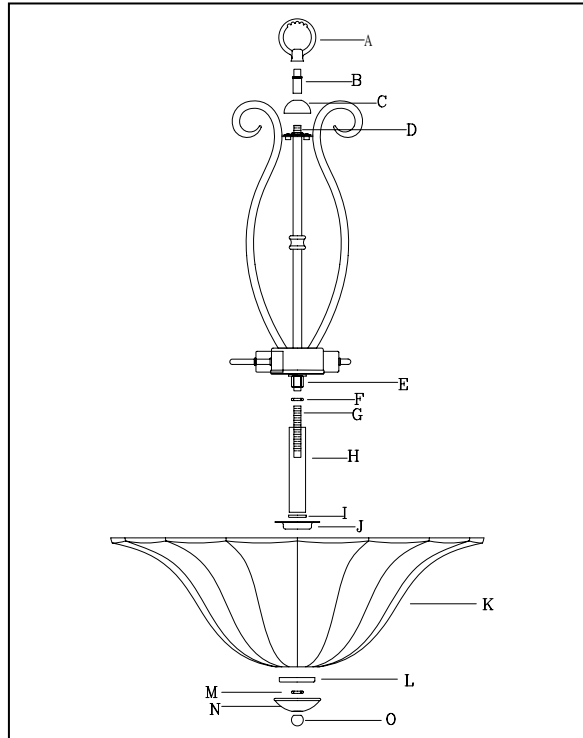
• Hanging Fixture



This lamp uses Three (3) 100-watt maximum Type A bulbs (Not included).

Cleaning Instructions

Do not use polish or cleaners.
Wipe clean with a soft cloth.



1. Thread the Loop (A) to the nipple of the Tube(B) until tighten.
2. Attach the Cap(C) to the Nipple (D) then secure by Tube (B).
3. Thread the Nipple (G) to Bottom Coupler (E) then screw the Hex Nut(F) until tight. (**Nipple may require adjustment**)
4. Attach the Tube (H), Metal Cap (I) , Glass Cap(J), Glass (K) and Washer (L) then secure by Hex Nut(M).
3. Attach the Cap (N) to the Glass (K) and secure by Finial(O).
5. Install the light bulb (not provided) in accordance with the fixture specification.
6. Restore electricity and check the operation of your new light fixture.

33162

Typical Assembly Time: 15 minutes

Free Manuals Download Website

<http://myh66.com>

<http://usermanuals.us>

<http://www.somanuals.com>

<http://www.4manuals.cc>

<http://www.manual-lib.com>

<http://www.404manual.com>

<http://www.luxmanual.com>

<http://aubethermostatmanual.com>

Golf course search by state

<http://golfingnear.com>

Email search by domain

<http://emailbydomain.com>

Auto manuals search

<http://auto.somanuals.com>

TV manuals search

<http://tv.somanuals.com>