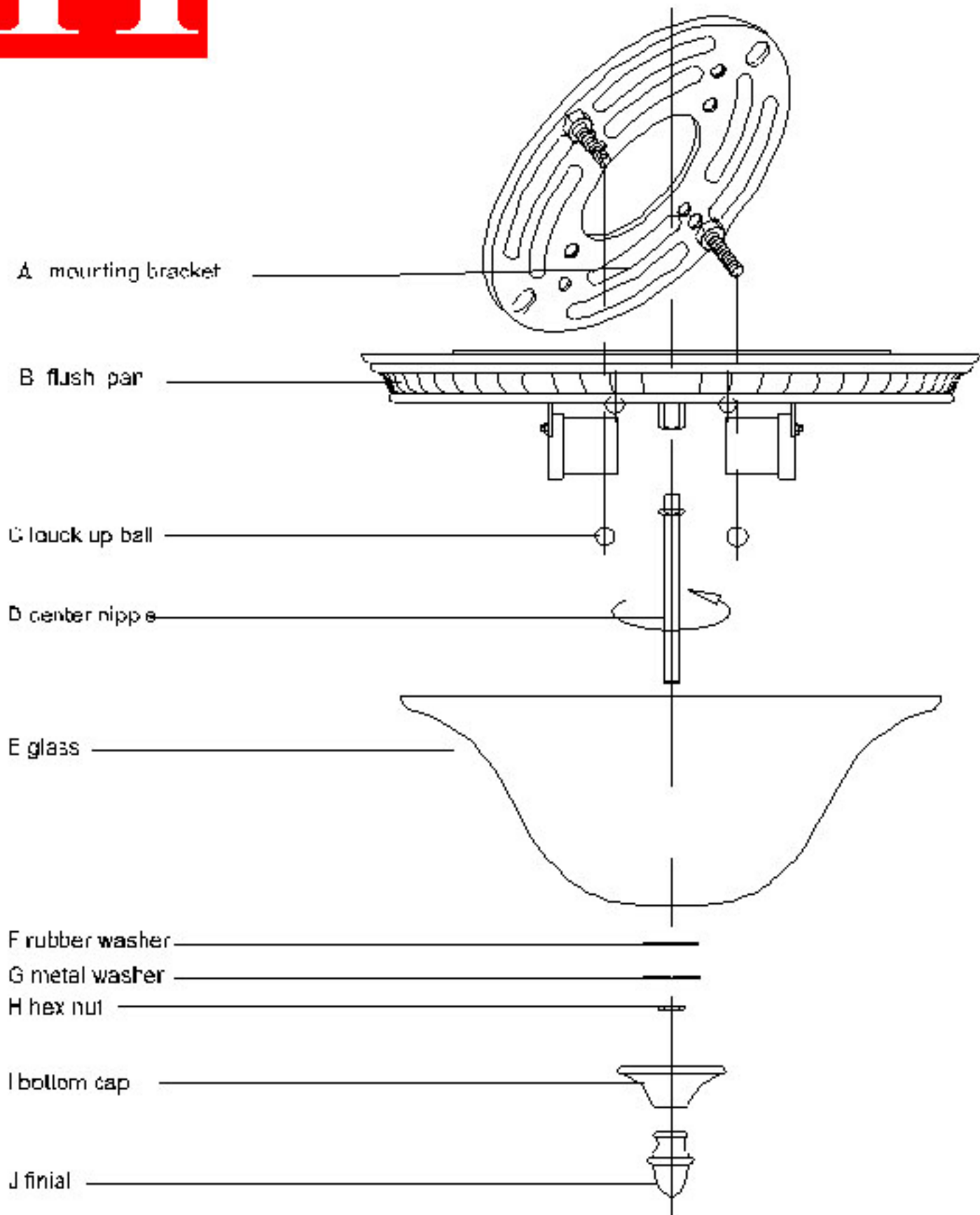




33236 ASSEMBLY INSTRUCTION



STEP:

1. Carefully remove the fixture out of the carton, and check that all parts are included referring to the above illustration. Make sure not to misplace any parts that are needed for the installation.
2. Install flush pan (B) onto the mounting bracket (A) and secure with lock up ball (C).
3. Thread the center pipe (D) into the coupling of the flush pan (B) and install proper light bulb (not provided).
4. Slide the glass (E), rubber washer (F), metal washer (G) and secure them with the hex nut (H).
5. Slide the bottom cap (I) and secure it with the finial (J).

Free Manuals Download Website

<http://myh66.com>

<http://usermanuals.us>

<http://www.somanuals.com>

<http://www.4manuals.cc>

<http://www.manual-lib.com>

<http://www.404manual.com>

<http://www.luxmanual.com>

<http://aubethermostatmanual.com>

Golf course search by state

<http://golfingnear.com>

Email search by domain

<http://emailbydomain.com>

Auto manuals search

<http://auto.somanuals.com>

TV manuals search

<http://tv.somanuals.com>