

ASSEMBLY INSTRUCTION



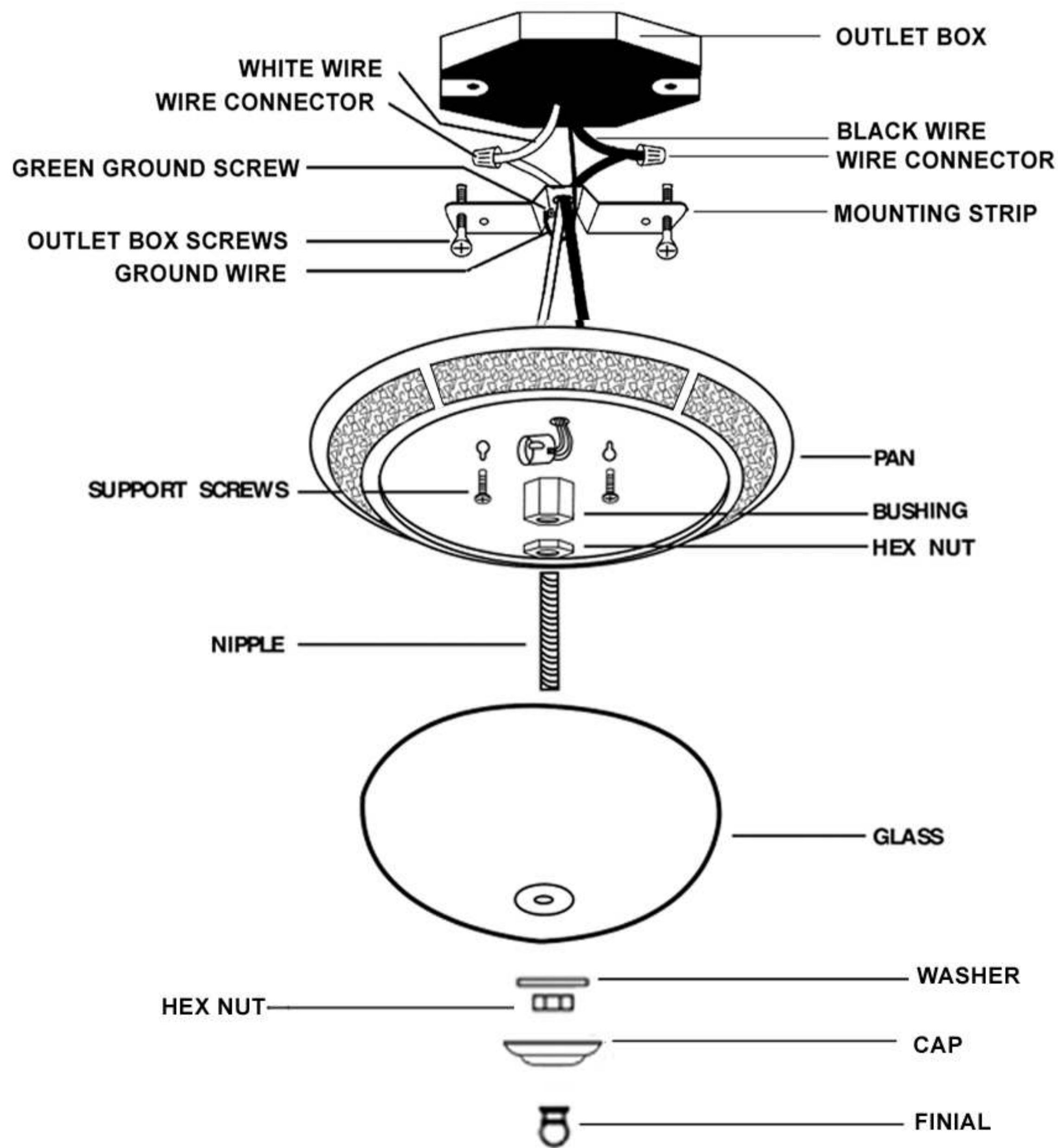
ITEM# 60165

1. Attach mounting strip to outlet box using outlet box screw (shorter).
2. Secure support screws into mounting strip. Do not tighten.
3. Connect the wires from the fixture to the power supply wires from outlet box.
 - A. Twist together white wire from the fixture with white wire from outlet box. Cover with wire connector.
 - B. Twist together black wire from the fixture with black wire from outlet box. Cover with wire connector.
 - C. Wrap the ground wire from the fixture and outlet box around the green ground screw located on the mounting strip. Tighten the green ground screw to the mounting strip.
4. Attach the pan to mounting strip by passing the support screw through the larger portion of the key holes. Twist the pan so that the support screw moves to the narrower portion of the key holes, tighten support screws.
5. Install bulb (not included) into socket. Do not use greater than 60 watt bulb.
6. Thread the nipple into bushing and secure with hex nut, then set glass, washer, hex nut, cap over the nipple and secure by tightening with finial.

NOTE: Carefully remove the fixture from the carton. Check that all parts shown in package parts 1 and parts 2 are included. Be carefully not to misplace any of the screws or wire connectors, which are needed for installing the fixture.

PACKAGE PART

Wire connector	2	Finial	1
Green ground screw	1	Cap	1
Outlet box screws	2	Hex Nut	2
Support screw	2	Washer	1
Mounting strip	1	Nipple	1
		Glass	1



Free Manuals Download Website

<http://myh66.com>

<http://usermanuals.us>

<http://www.somanuals.com>

<http://www.4manuals.cc>

<http://www.manual-lib.com>

<http://www.404manual.com>

<http://www.luxmanual.com>

<http://aubethermostatmanual.com>

Golf course search by state

<http://golfingnear.com>

Email search by domain

<http://emailbydomain.com>

Auto manuals search

<http://auto.somanuals.com>

TV manuals search

<http://tv.somanuals.com>