

TRICITY

TBL10

Electric Blender



Instruction Manual

Please follow all the precautions listed below for safety and to reduce the risk of fire, injury or electrical shock.

Read all the instructions carefully before using your liquidiser and keep them for future reference.

Unplug the liquidiser from the mains supply when not in use, when removing or attaching the liquidiser jug, or before cleaning any part of the appliance.

This liquidiser is for household use only. Do not use it for professional catering.

Do not use the liquidiser outdoors.

Do not immerse the liquidiser base unit or the electrical cord or plug in liquids.

Do not use the liquidiser near a source of heat or on an unstable surface.

Do not use your liquidiser in damp or wet conditions.

This appliance is not intended for use by persons (including children) with reduced physical, sensory or mental capabilities, or lack of experience and knowledge, unless they have been given supervision or instruction concerning use of the appliances by a person responsible for their safety

Children should be supervised to ensure that they do not play with the appliance.

Ensure that the power cord does not touch any hot surface and that it does not overhang the edge of your work surface.

When unplugging the power cord, hold the plug top, not the power cord.

Do not use attachments or accessories which are not recommended by the manufacturer. They may cause malfunction or injury.

Store the liquidiser away from direct sunlight and out of the reach of children.

When operating your liquidiser:

Do not place your hand in the liquidiser jug. The sharp blade may cause injury. Use a plastic or wooden spatula.

Never insert any hard object or implement into the liquidiser jug when it is operating. This may cause damage to the appliance and personal injury.

Do not place meat containing bones or fruits with large hard stones in the liquidiser jug.

If the liquidiser becomes clogged, switch off and unplug the power cord from the mains before clearing the obstruction. Check carefully for damage.

There are no user serviceable parts in your liquidiser. Unauthorised dismantling or servicing will void the product warranty.

Do not operate the liquidiser with a damaged cord or plug or after the appliance or any attachment has been damaged. Seek expert assistance.

Do not use the liquidiser for any purpose not expressly specified in this manual.

ELECTRICAL INFORMATION

Before using this appliance ensure that the voltage of your electricity supply is the same as that indicated on the rating plate of the appliance.

WARNING: If the mains power cord is damaged in any way it must be replaced by a qualified technician .



Class II construction double insulated.

This product must not be connected to earth.

Features and Controls



- 1: Stopper
- 2: Jug Handle
- 3: Blade Housing
- 4: Motor Base
- 5: Control Knob
- 6: Blade Assembly
- 7: Scale
- 8: Jug
- 9: Safety Lid
- 10: Stirrer

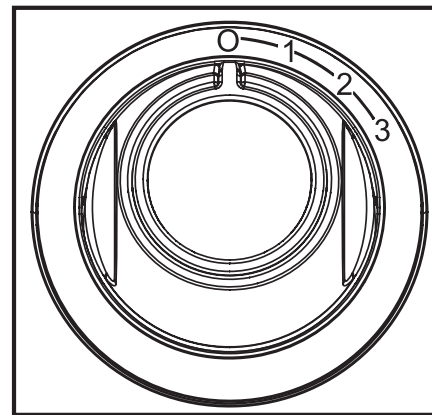
CONTROL KNOB

The control knob has three operating modes.

Normal Mode: There are three speeds and '0' - off

Pulse Mode: With the knob in the '0' position press the knob to apply short bursts of power.

Turbo Mode: With the knob in position '1' or '2' press the knob to accelerate the blender speed.



PRELIMINARIES

Unpacking

In the box you should find the liquidiser base, the liquidiser jug and stopper. Remove all packaging from the liquidiser base and jug. Retain the packaging. If you dispose of it please do so according to any recycling regulations.

If items are missing or damaged, contact your nearest Tesco store for assistance.

Read and retain this manual for future use. If you pass this product on to a third party, make sure to include this manual.

Before using your blender for the first time:

- Check that the voltage marked on the rating plate at the bottom of the appliance is the same as the voltage in your area.
- Wash the jug, blade assembly, lid, stirrer and stopper.
- Rinse thoroughly and dry.

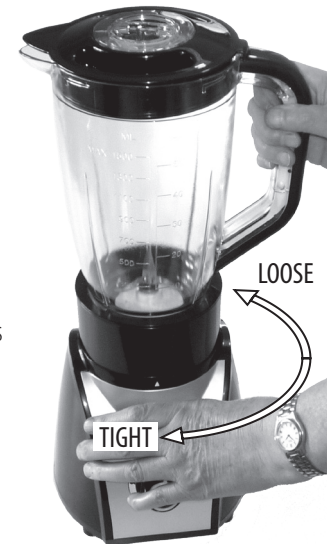
ASSEMBLY

Place the base unit on a stable surface, free from heat and moisture and within easy reach of a mains outlet. The mains cord should not be taut.

The lid must be secured to the jug and the jug to the base or the blender will not operate!

Fitting the jug to the base

Place the jug on the base unit and rotate it firmly clockwise to lock the blender jug to the base. This is a safety feature. If the jug is not properly locked to the base the blender will not start.



Preparing and Filling Ingredients

Cut the ingredients into 25mm (1") cubes before placing them into the blender jug. If the food is very solid or dry, cut the pieces into smaller cubes.

Fill the blender jug with the ingredients.

Do not overfill the jug. The maximum capacity is 1500 ml, but we suggest you do not exceed 1250 ml. If you are preparing a large quantity use several smaller batches.

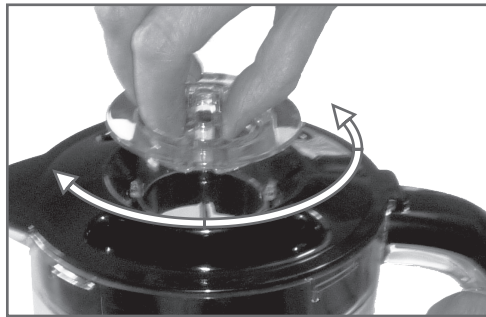
If the ingredients are very dry, put some liquid into the jug. You should never try to reduce dry ingredients in the blender.

Fitting the lid and the Stopper

Place the lid onto the locking latches in the top of the jug and turn the lid fully clockwise. If the jug is not locked to the lid the blender will not start.



Place the stopper in the slots in the lid and rotate it through 90° to lock it. To unlock, rotate the stopper through 90° and lift it out. Always operate the blender with the stopper firmly in place.



OPERATION

Make sure the jug and the lid are secure and locked. Set the selector to '0'. Plug the blender into the mains and switch on the power.

Operating Modes

Continuous (Normal) Mode

Select the desired operating speed. There are three speeds. Move the Selector knob to the right to increase the speed. When you start blending use the low speed to begin with and select the high speeds only if necessary. To stop the operation, turn the knob back to '0'.

Pulse Mode

Use this mode where ingredients need to be blended in small repeated bursts. Set the Selector to '0'. Press the Selector knob and hold it there for a short period. To stop the operation, release the knob.

Turbo Mode

Using the Pulse button to accelerate blending: Select position '1' or '2'. Press the Selector knob in briefly to accelerate the blending speed. The Pulse button has no turbo effect in Position '3'.

Note: Do not run the appliance continuously for more than 3 minutes. After a full 3 minute cycle allow the blender to rest for another 5 minutes before using it again.

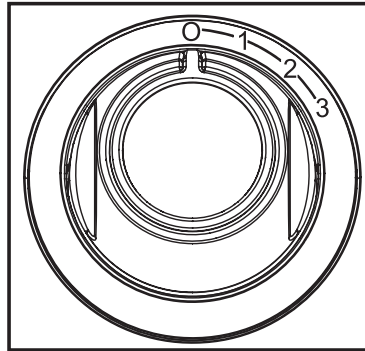
OPERATION

Make sure the jug and the lid are secure and locked. Set the selector to '0'. Plug the blender into the mains and switch on the power.

Operating Modes

Continuous (Normal) Mode

Select the desired operating speed. There are three speeds. Move the Selector knob to the right to increase the speed. When you start blending use the low speed to begin with and select the high speeds only if necessary. To stop the operation, turn the knob back to '0'.



Pulse Mode

Use this mode where ingredients need to be blended in small repeated bursts. Set the Selector to '0'. Press the Selector knob and hold it there for a short period. To stop the operation, release the knob.

Turbo Mode

Using the Pulse button to accelerate blending: Select position '1' or '2'. Press the Selector knob in briefly to accelerate the blending speed. The Pulse button has no turbo effect in Position '3'.

Note: Do not run the appliance continuously for more than 3 minutes. After a full 3 minute cycle allow the blender to rest for another 5 minutes before using it again.

During blending:

You can feed in small amounts of food or liquid through the jug lid. To do this turn the stopper slightly to free it and lift it out. Gradually feed pieces of food or liquids into the jug through the feeder. Replace the stopper when you have finished.

Use the stirrer to distribute the contents of the jug. There is a slot in the stopper to allow you to insert and remove the stirrer. The stirrer may be safely left in the jug during blending.



Never blend hot liquids in the blender. This is dangerous as the contents may erupt. DANGER OF SCALDING!

If you spill liquid on the liquidiser base immediately switch off and wipe dry.

After you have finished blending:

1. Set the Selector knob to '0'.
2. Remove the stirrer if you are using it.
3. Rotate the lid of the jug anti-clockwise (towards you) to free it. Lift off the lid.
4. Hold the jug carefully and turn it anti-clockwise (towards you) to release the jug from the motor base. (This may be easier with one hand on the base and one hand holding the jug handle).
5. Remove the jug and pour or spoon the contents out carefully.
6. Switch the blender off and unplug it after use.

CLEANING

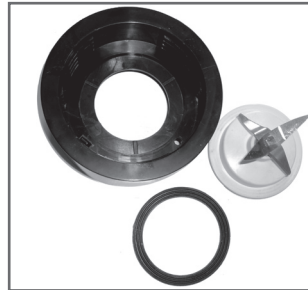
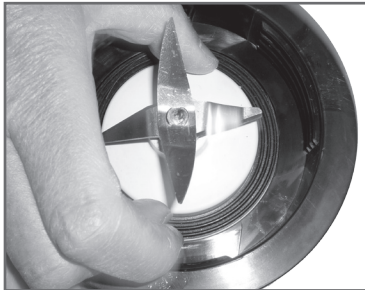
Replace the jug on the base. Pour about 500ml of warm soapy water into the jug. Replace the lid. Do not insert the stirrer.

Turn and the Selector knob to '0'. Press the knob to set the blender into pulse mode for a few seconds to loosen any food particles and free them from the blade. Remove the jug, from the motor unit, pour away the water and rinse in fresh running water.



Unscrew the jar base from the jug.

Take the blade assembly out and disassemble it. Avoid touching the blade edges.



Detach the stopper from the jar cover. Rinse the jar, blade, jar base, jar cover, stirrer and stopper under running water. Wash the lid and stopper separately in warm soapy water, rinse and allow to dry.

DO NOT wash the jug or attachments in a dishwasher.

Cleaning the motor base:

Ensure the liquidiser is unplugged from the mains.

Wipe the outer surface of the motor unit with a damp cloth. Never use abrasive cleaners or scouring creams.

Never immerse the motor base in water when cleaning.

After cleaning:

After all the components have been washed and dried, re-assemble the blade unit.

Locate the blade on the three lugs in the base, place the rubber seal over the blade as shown and attach the base to the jug.



STORAGE

After all the components have been washed and dried, re-assemble the liquidiser and stow it out of direct sunlight and out of the reach of children.

The cable may be wound inside the cavity under the appliance for easier stowage.

Warranty

Your Tricity appliance is covered by a warranty for 12 months from the date of purchase. If a fault develops during this period, please return the unit to your nearest Tesco store together with the original receipt as proof of purchase. This warranty in no way affects your consumer rights.

Specifications

Voltage Rating: 220 -240V AC, 50Hz

Power Consumption: 840 -1000W

Capacity: 1.5 Litres

Net Weight: 2.6 Kg



UK: Waste electrical products should not be disposed of with household waste. Separate disposal facilities exist, for your nearest facilities. See www.recycle-more.co.uk or in-store for details.

ROI: Produced after 13th August 2005. Waste electrical products should not be disposed of with household waste. Please recycle where facilities exist. Check with your Local Authority or retailer for recycling advice.

TRICITY

Tesco Stores Ltd, Delamare Road,
Cheshunt, Herts, EN8 9SL

Free Manuals Download Website

<http://myh66.com>

<http://usermanuals.us>

<http://www.somanuals.com>

<http://www.4manuals.cc>

<http://www.manual-lib.com>

<http://www.404manual.com>

<http://www.luxmanual.com>

<http://aubethermostatmanual.com>

Golf course search by state

<http://golfingnear.com>

Email search by domain

<http://emailbydomain.com>

Auto manuals search

<http://auto.somanuals.com>

TV manuals search

<http://tv.somanuals.com>