

CA3000C & CA6000C



Cartridge Air Cleaners



TRION[®]
air purification systems

CA3000C & CA6000C



ENGINEERED SOLUTIONS FOR CLEAN AIR

Trion's CA3000C and CA6000C Cartridge Air Cleaners used in either source capture or unducted applications will help solve heavy welding smoke, dust and other indoor air pollution problems. They have been designed for high-efficiency, self-cleaning, easy serviceability, and long filter life.

FEATURES/BENEFITS

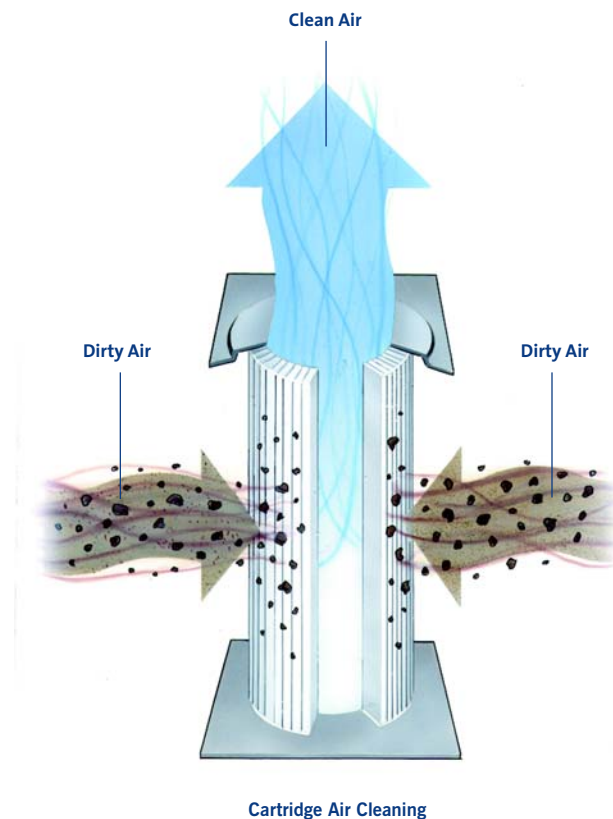
- 4 or 9 Long-Life Filter Cartridges - provide up to 99% efficiency. Cartridges have 8 times more surface collecting area than comparable bag media type air cleaners, resulting in greater dirt-holding capacity and longer filter life
- In-place, cartridge cleaning utilizing compressed air - minimizes maintenance and reduces downtime
- Each filter is pulsed independently - better cleaning of cartridge during cleaning cycle
- 3 Pulse Options
 - Manual Pulse - initiate when desired
 - Timed Pulse with 7 Day-Clock - initiate at predetermined intervals
 - "On Demand" Sensed Pulse - initiate at set static pressure
- Side Access Doors - simplifies maintenance and cartridge removal
- Backward-inclined Airfoil Fan - energy efficient and quiet operation



HOW IT WORKS

Trion's CA3000C and CA6000C Cartridge Air Cleaners pull the dirty, polluted air through the high-efficiency cellulose pleated cartridge filters where the particulate is collected on the outside of the media. The filtered air then passes through the clean air plenum and is exhausted.

To clean the cartridges: clean, dry, compressed air is connected, and the timer (which is actuated either manually or automatically) sequentially opens and closes air valves. The valves direct pulses or bursts of compressed air from the inside to the outside of the cartridge. This pulsing action dislodges the collected contaminants from the filters. The contaminants then fall to the bottom of the unit or into the hopper (optional accessory).



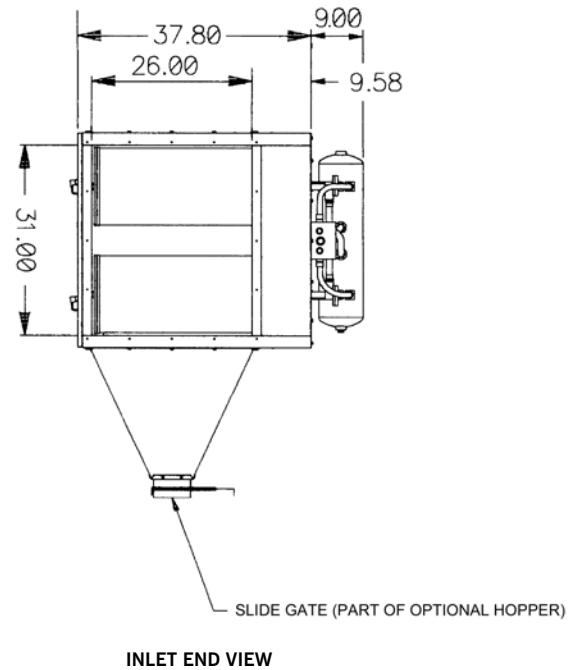
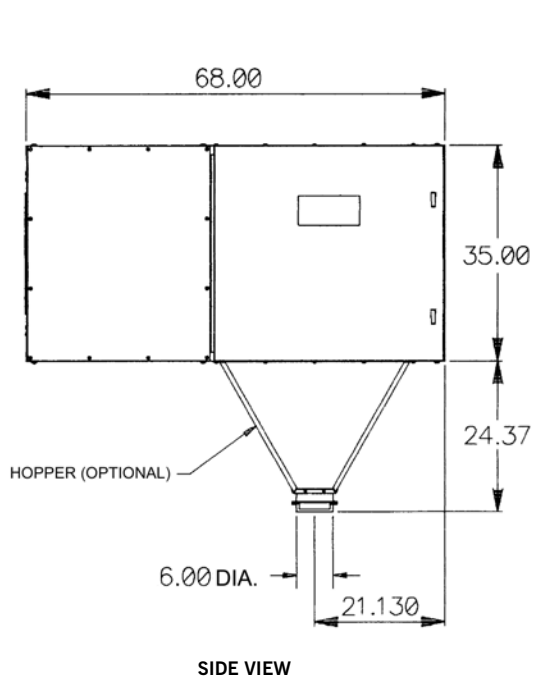
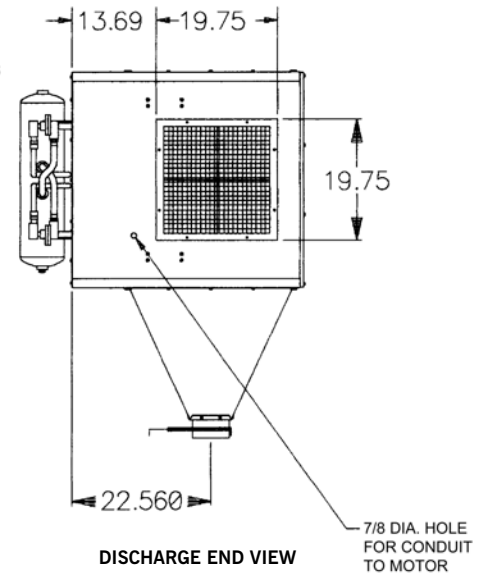
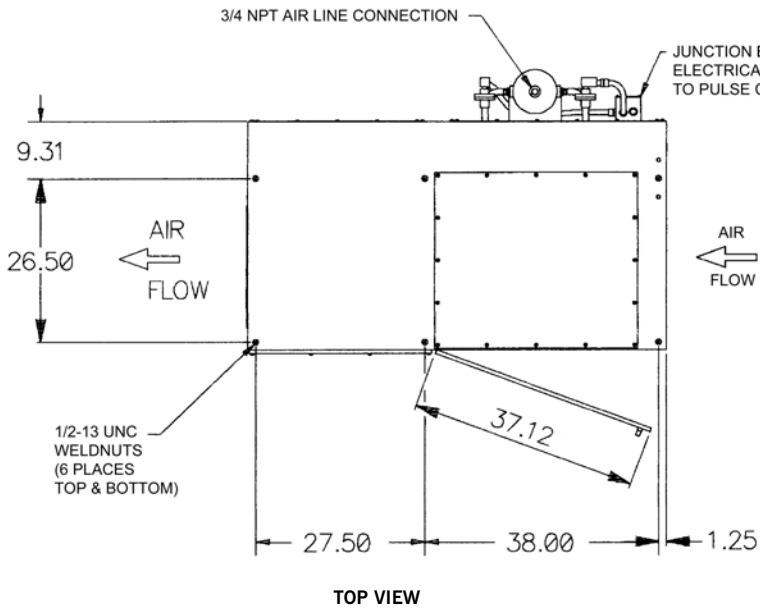
APPLICATIONS

For industrial work environments, Trion Cartridge Air Cleaners are excellent for applications where heavy smoke, powders, and dust create unhealthy and hazardous environments.

Specifications

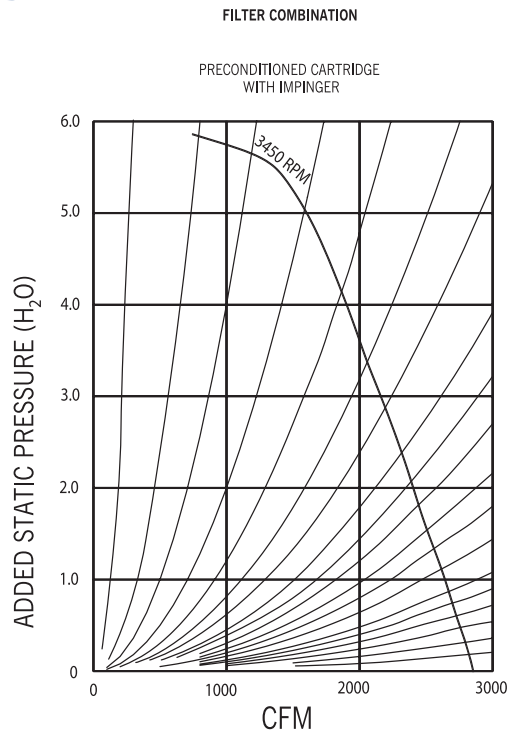
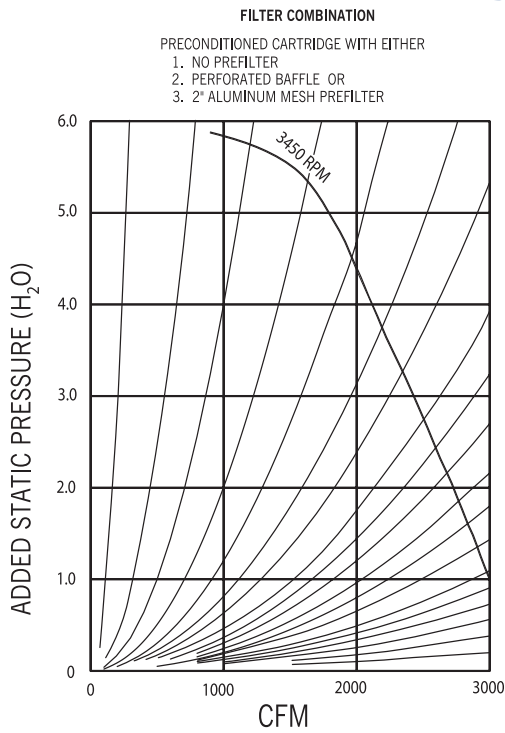
| | CA3000C | CA6000C | | | | | | | | | | | | | | | | | | | | | | | | |
|-----------------------------|--|---|-------|----------------|-----------|---------|-----------|---|-------------|----|---|---------------|-------|--|----|-----|----|-------|----------|-----------|-----|-------------|----|---|----------------|-------|
| Cabinet | 11 & 16 gauge welded galvanized steel | 11 & 16 gauge welded galvanized steel | | | | | | | | | | | | | | | | | | | | | | | | |
| Color/Finish | Pearl white epoxy, baked on, oil resistant | Pearl white epoxy, baked on, oil resistant | | | | | | | | | | | | | | | | | | | | | | | | |
| Air Flow | Horizontal - Right to Left or Left to Right - Standard, Side Discharge - Optional | Horizontal - Right to Left or Left to Right - Standard, Side Discharge - Optional | | | | | | | | | | | | | | | | | | | | | | | | |
| Dimensions | 68" L x 46" W x 35" H | 99" L x 49" W x 53" H | | | | | | | | | | | | | | | | | | | | | | | | |
| Installation | Suspended or Frame mounting | Suspended, Wall, or Frame mounting | | | | | | | | | | | | | | | | | | | | | | | | |
| Unit Wt. | 750 lbs., Shipping Wt: 890 lbs. (Standard unit) | 1,100 lbs., Shipping Wt. 1,400 lbs. (Standard unit) | | | | | | | | | | | | | | | | | | | | | | | | |
| Motor Description | TEFC, ball bearing, 3,450 RPM, continuous duty, U.L. Listed | TEFC, ball bearing, 1,750 RPM, continuous duty, U.L. Listed | | | | | | | | | | | | | | | | | | | | | | | | |
| Motor | <table border="1"> <thead> <tr> <th>HP</th> <th>VAC</th> <th>Hz</th> <th>Phase</th> <th>Amp.Max</th> <th>Watts Max</th> </tr> </thead> <tbody> <tr> <td>5</td> <td>208/230/460</td> <td>60</td> <td>3</td> <td>13.3/12.0/6.0</td> <td>4,288</td> </tr> </tbody> </table> | HP | VAC | Hz | Phase | Amp.Max | Watts Max | 5 | 208/230/460 | 60 | 3 | 13.3/12.0/6.0 | 4,288 | <table border="1"> <thead> <tr> <th>HP</th> <th>VAC</th> <th>Hz</th> <th>Phase</th> <th>Amp. Max</th> <th>Watts Max</th> </tr> </thead> <tbody> <tr> <td>7.5</td> <td>208/230/460</td> <td>60</td> <td>3</td> <td>22.8/20.6/10.3</td> <td>7,098</td> </tr> </tbody> </table> | HP | VAC | Hz | Phase | Amp. Max | Watts Max | 7.5 | 208/230/460 | 60 | 3 | 22.8/20.6/10.3 | 7,098 |
| HP | VAC | Hz | Phase | Amp.Max | Watts Max | | | | | | | | | | | | | | | | | | | | | |
| 5 | 208/230/460 | 60 | 3 | 13.3/12.0/6.0 | 4,288 | | | | | | | | | | | | | | | | | | | | | |
| HP | VAC | Hz | Phase | Amp. Max | Watts Max | | | | | | | | | | | | | | | | | | | | | |
| 7.5 | 208/230/460 | 60 | 3 | 22.8/20.6/10.3 | 7,098 | | | | | | | | | | | | | | | | | | | | | |
| Motor Sheave | N/A | Variable pitch | | | | | | | | | | | | | | | | | | | | | | | | |
| Blower | Direct drive backward inclined airfoil blower wheel | Belt driven backward inclined airfoil blower wheel | | | | | | | | | | | | | | | | | | | | | | | | |
| Air Volume | See blower curve | See blower curve | | | | | | | | | | | | | | | | | | | | | | | | |
| General | Throw distance: To 80-ft. Filter Access: Hinged side doors with sealing gaskets and easy open latches - no tools required Side mounted pre-wired electrical junction box for valve connections | Throw distance: To 80-ft. Filter Access: Hinged side door with sealing gaskets and easy open latches - no tools required Side mounted pre-wired electrical junction box for valve connections | | | | | | | | | | | | | | | | | | | | | | | | |
| Sound Rating | 72 dBA | 72 dBA | | | | | | | | | | | | | | | | | | | | | | | | |
| Pre-Filter | Aluminum mesh, Impinger or Perforated Plate | Aluminum mesh or Perforated Plate | | | | | | | | | | | | | | | | | | | | | | | | |
| Main Filter | 4-Cellulosic pleated cartridge filters 226 sq. ft. each filter area Efficiency to 99.9% @ 0.5 micron Other filter media cartridges available | 9-Cellulosic pleated cartridge filters 226 sq. ft. each filter area Efficiency to 99.9% @ 0.5 micron Other filter media cartridges available | | | | | | | | | | | | | | | | | | | | | | | | |
| Plenum Options | Source capture with 14" round starting collar Source capture with dual arm feature | Source capture with 20" round starting collar | | | | | | | | | | | | | | | | | | | | | | | | |
| Optional Accessories | Filter change indicator gauge Automatic pulse control (photohelic switch/gauge) 7-Day time clock pulse control Hopper assembly 55-gallon drum lid cover 4-way diffuser for directional air discharge | Filter change indicator gauge Automatic pulse control (photohelic switch/gauge) 7-Day time clock pulse control Hopper assembly 55-gallon drum lid cover 4-way diffuser for directional air discharge | | | | | | | | | | | | | | | | | | | | | | | | |
| Pulse System | Sequential pulse timer control (115v Single Phase) 4 each - 3/4" valves Compressed air required: 90 PSIG. 1.11 SCF/Pulse | Sequential pulse timer control (115v Single Phase) 9 each - 3/4" valves Compressed air required: 90 PSIG. 1.11 SCF/Pulse | | | | | | | | | | | | | | | | | | | | | | | | |

CA3000C TECHNICAL DRAWINGS

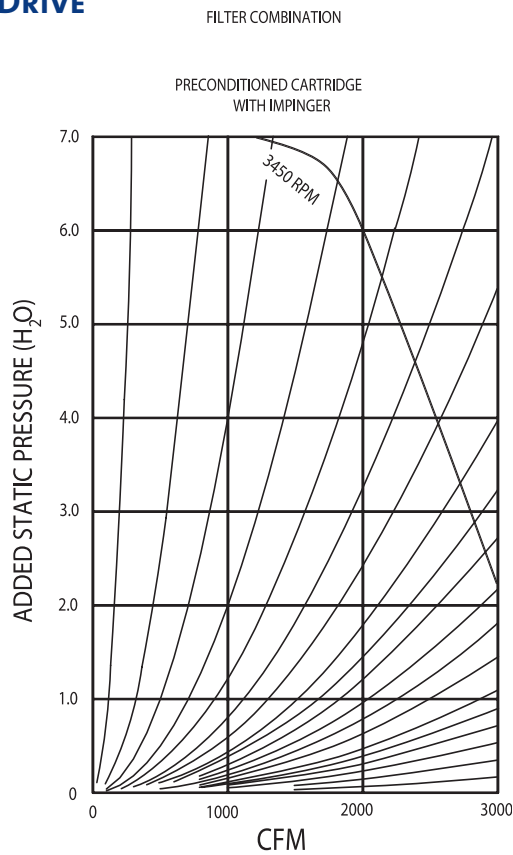
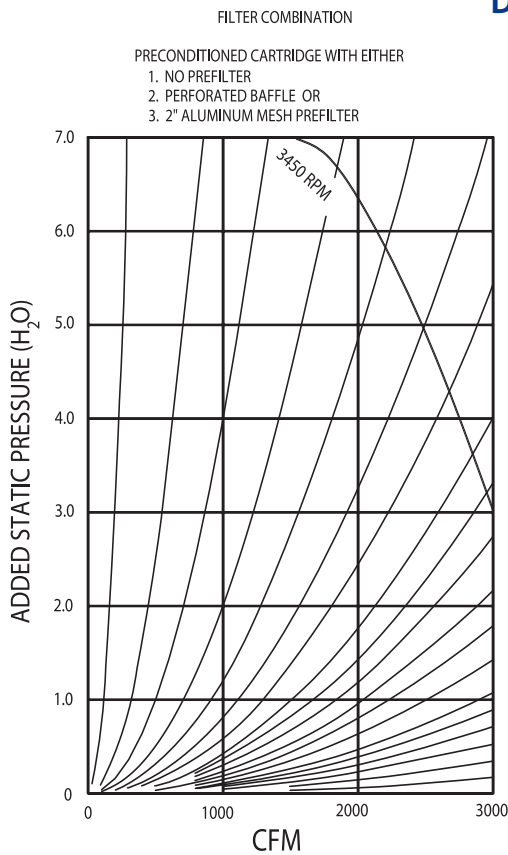


CA3000C Blower Curves

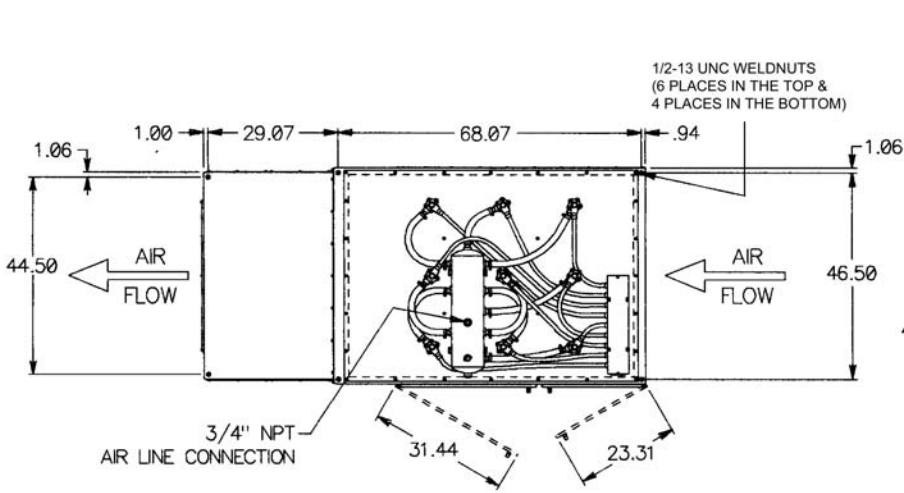
STANDARD BLOWER ASSEMBLY DIRECT DRIVE



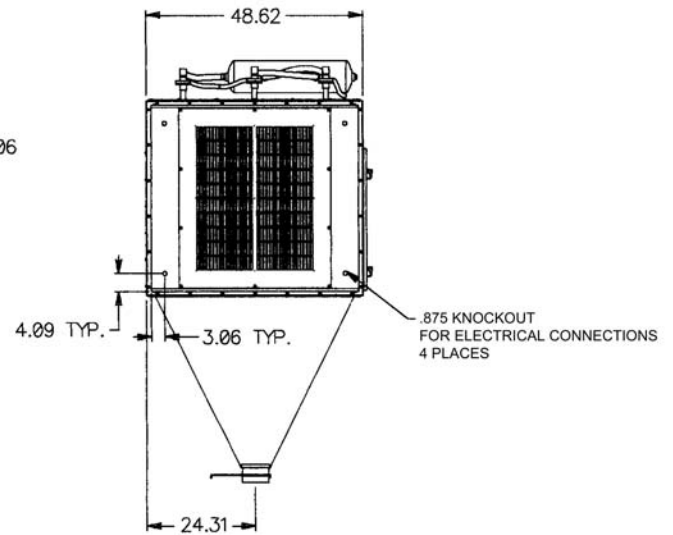
HIGH STATIC BLOWER ASSEMBLY DIRECT DRIVE



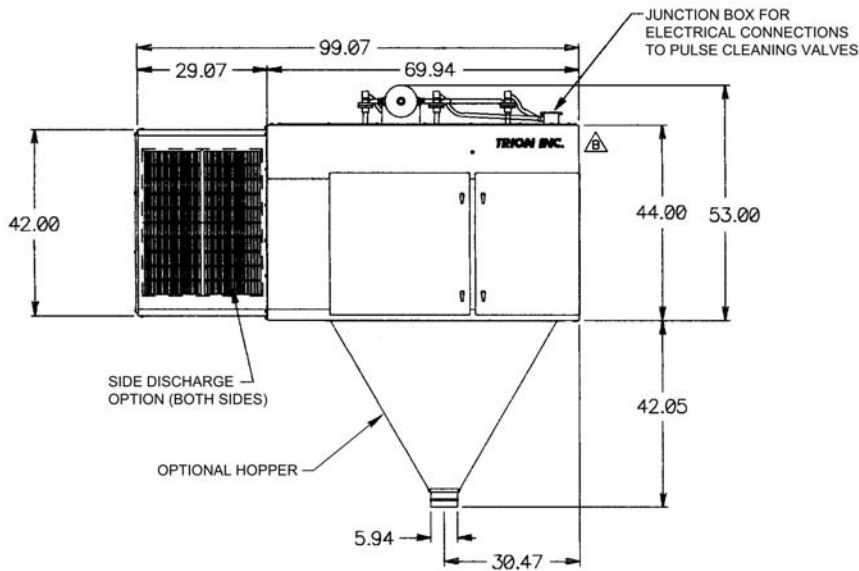
CA6000C TECHNICAL DRAWINGS



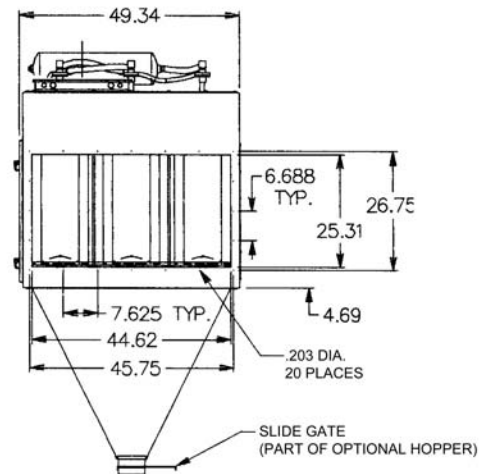
TOP VIEW



DISCHARGE END VIEW

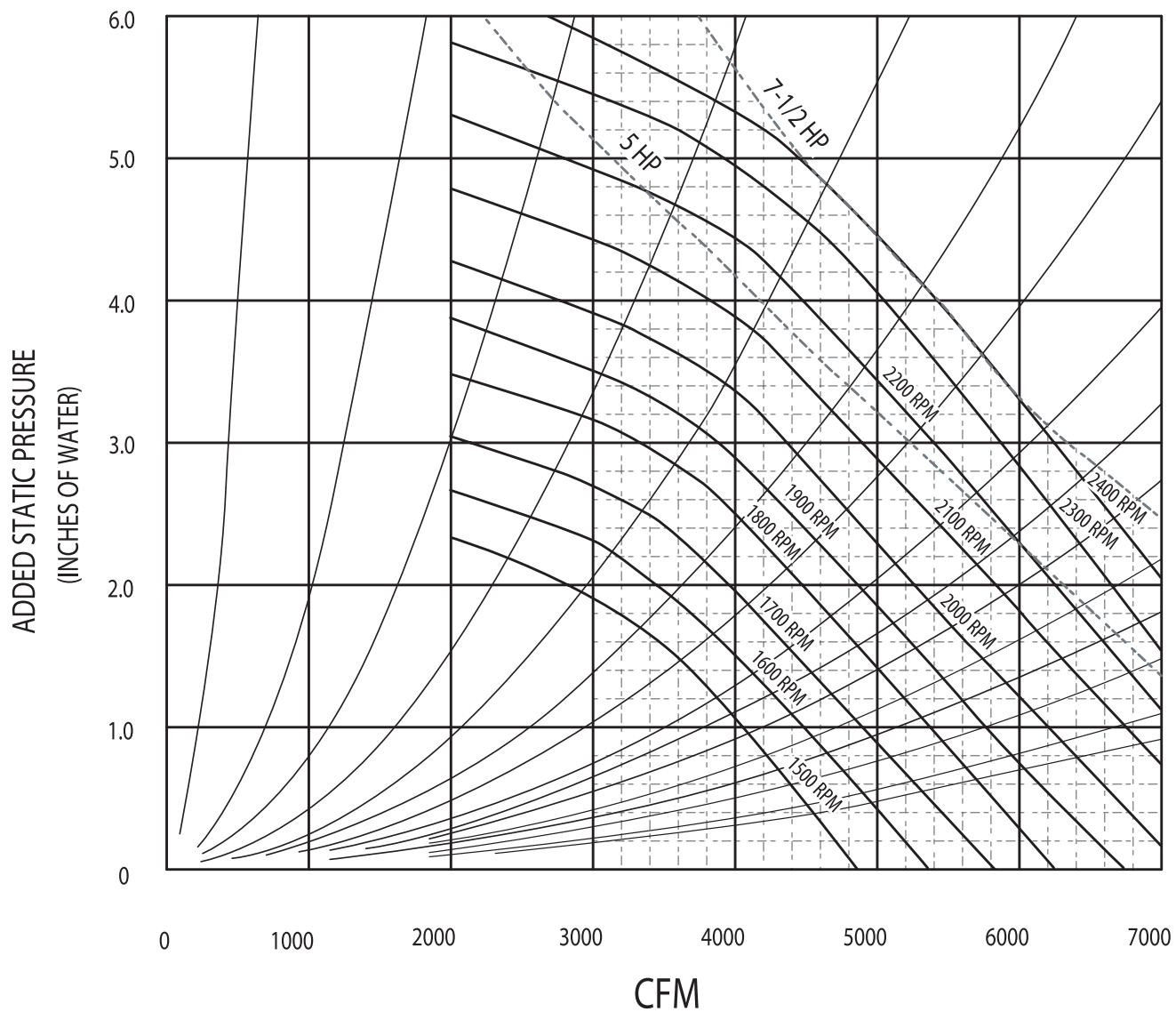


SIDE VIEW



INLET END VIEW

CA6000C Blower Curve





Headquartered in Sanford, North Carolina

Leading Technology for Cleaner Exhaust Air Since 1947

TRION[®]
Air Purification Systems

Free Manuals Download Website

<http://myh66.com>

<http://usermanuals.us>

<http://www.somanuals.com>

<http://www.4manuals.cc>

<http://www.manual-lib.com>

<http://www.404manual.com>

<http://www.luxmanual.com>

<http://aubethermostatmanual.com>

Golf course search by state

<http://golfingnear.com>

Email search by domain

<http://emailbydomain.com>

Auto manuals search

<http://auto.somanuals.com>

TV manuals search

<http://tv.somanuals.com>