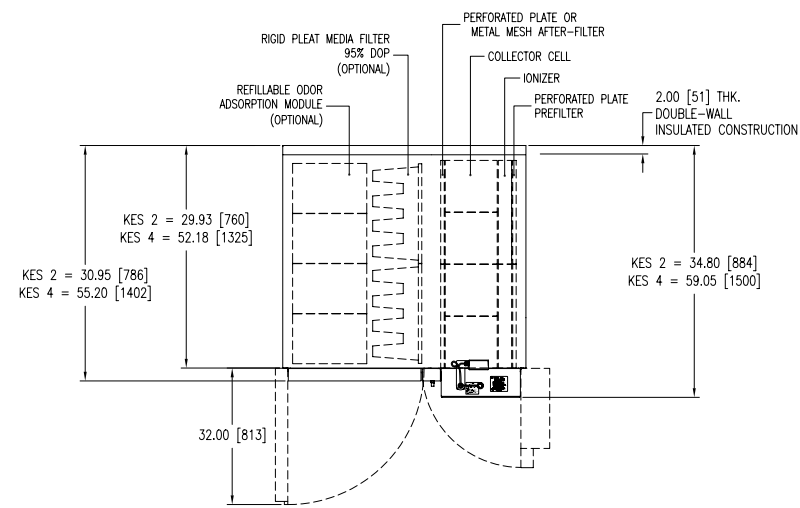


# AIR BOSS® KES Specifications

# AIR BOSS® KES SERIES



## Kitchen Exhaust Filtration System



**AIR BOSS® KES SERIES SPECIFICATIONS**

INPUT VOLTAGE: 120/220VAC, 50/60HZ  
 CURRENT: 1.5 AMP MAX  
 OUTPUT VOLTAGE: 12.5 – 13.0 KVDC IONIZER  
 6.0 – 6.5 KVDC COLLECTOR

POWER SUPPLY: (1) PWM WITH STATUS LED FOR KES 2  
 (2) PWM WITH STATUS LED FOR KES 4

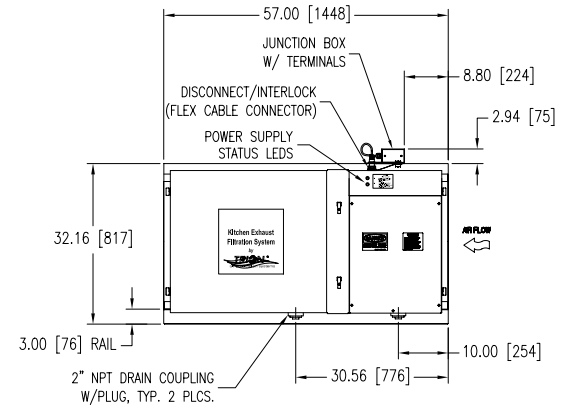
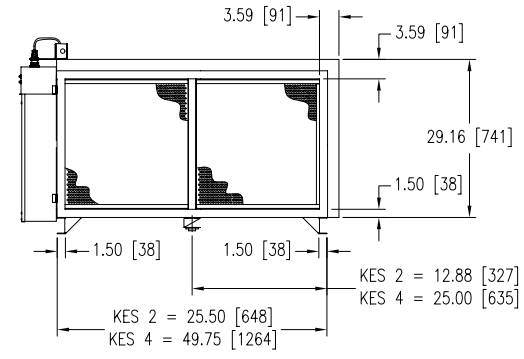
POWER SUPPLY STATUS LIGHT: LED, 5 AMP MAX  
 WEIGHT OF STANDARD UNIT W/ IONIZER, COLLECTOR,  
 PRE & AFTER FILTERS: 480 LBS. [218 KG] KES 2  
 650 LBS. [296 KG] KES 4

**FILTER COUNT & WEIGHTS FOR KES 2:**

- (1) PRE FILTERS – PERFORATED PLATE, 2 LBS. [0.9 kg]
- (1) AFTER-FILTER – PERFORATED PLATE OR METAL MESH, 2 LBS. [0.9 kg]
- (1) IONIZER, 5 LBS. [2.3 kg]
- (2) COLLECTOR, 60 LBS. [27.3 kg] TOTAL
- (1) RIGID PLEAT MEDIA 95% DOP (OPTIONAL), 17 LBS. [7.7 kg]
- (8) REFILLABLE ODOR ABSORPTION MODULE (OPTIONAL), 120 LBS. [54.6 kg] TOTAL

**FILTER COUNT AND WEIGHTS FOR KES 4:**

- (2) PRE FILTERS – PERFORATED PLATE, 4 LBS. [1.8 KG] TOTAL
- (2) AFTER-FILTER – PERFORATED PLATE OR METAL MESH, 4 LBS. [1.8 KG] TOTAL
- (3) IONIZER, 10 LBS. [4.6 KG] TOTAL
- (4) COLLECTORS, 120 LBS. [54.6 KG] TOTAL
- (2) RIGID PLEAT MEDIA 95% DOP (OPTIONAL), 34 LBS. [15.5 KG] TOTAL
- (16) REFILLABLE ODOR ABSORPTION MODULE (OPTIONAL), 240 LBS. [109 KG] TOTAL



**ELECTROSTATIC EFFICIENCY/CAPACITY DATA**

	DOP CFM CAPACITIES				
	95%	94%	93%	92%	90%
<b>KES2</b>	1200	1400	1750	2000	2550
<b>KES4</b>	2400	2800	3500	4000	5100
<b>Face Velocity (fpm)</b>	372	434	542	620	790

**PRESSURE DROP DATA (Inches H<sub>2</sub>O)**

	1200	1400	1750	2000	2550
<b>KES2 CFM</b>	1200	1400	1750	2000	2550
<b>KES4 CFM</b>	2400	2800	3500	4000	5100
<b>ESP*</b>	0.09	0.14	0.20	0.27	0.42
<b>Media**</b>	0.13	0.15	0.23	0.25	0.41
<b>Carbon</b>	0.08	0.10	0.15	0.21	0.30
<b>TOTAL**</b>	0.30	0.39	0.58	0.73	1.13

\* Includes perforated plate pre- and post filters.  
 \*\* With clean media filters. Allow up to 1" additional pressure drop for filter loading.





## AIR BOSS® KES SERIES, THE RIGHT SOLUTION

Kitchen exhaust contains grease, smoke and odors, which can be filtered properly to help meet EPA, state and local air quality standards. With the Trion KES system, you'll be on good terms with both city inspectors and your commercial and residential neighbors.

The KES is a multi-stage, self-contained filtration unit that ensures maximum effectiveness through the use of:

1. An electrostatic precipitator
2. A 95% DOP media filter
3. Carbon modules for odor control

## APPLICATIONS

The KES is perfect for commercial and institutional kitchens in:

- Restaurants
- Food Courts
- Hospitals
- Schools
- Sport & Entertainment Complexes

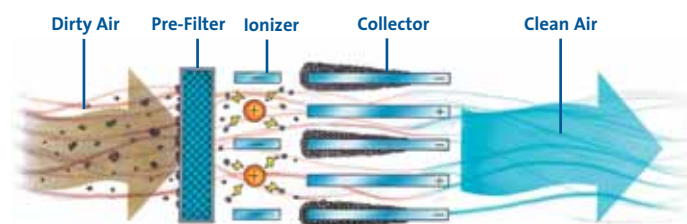
## AIR BOSS® KES SERIES CAN HELP YOU ACHIEVE:

- High-efficiency at low, constant pressure drop
- Compliance with EPA, state and local air quality laws and regulations
- Cleaner, fresher kitchen exhaust that fosters "goodwill" with commercial and residential neighbors and with federal, state and local government agencies.



## HOW ELECTROSTATIC PRECIPITATORS WORK

As air enters the filter, the particles pass through a high intensity electrical field that imparts an electrical charge to the particles, which range in size from 0.01 micron to 10 microns. The charged particles pass through a series of alternately charged collector plates. Particles are repelled by plates with the same polarity and attracted to plates with opposite polarity — similar to how a powerful magnet works.



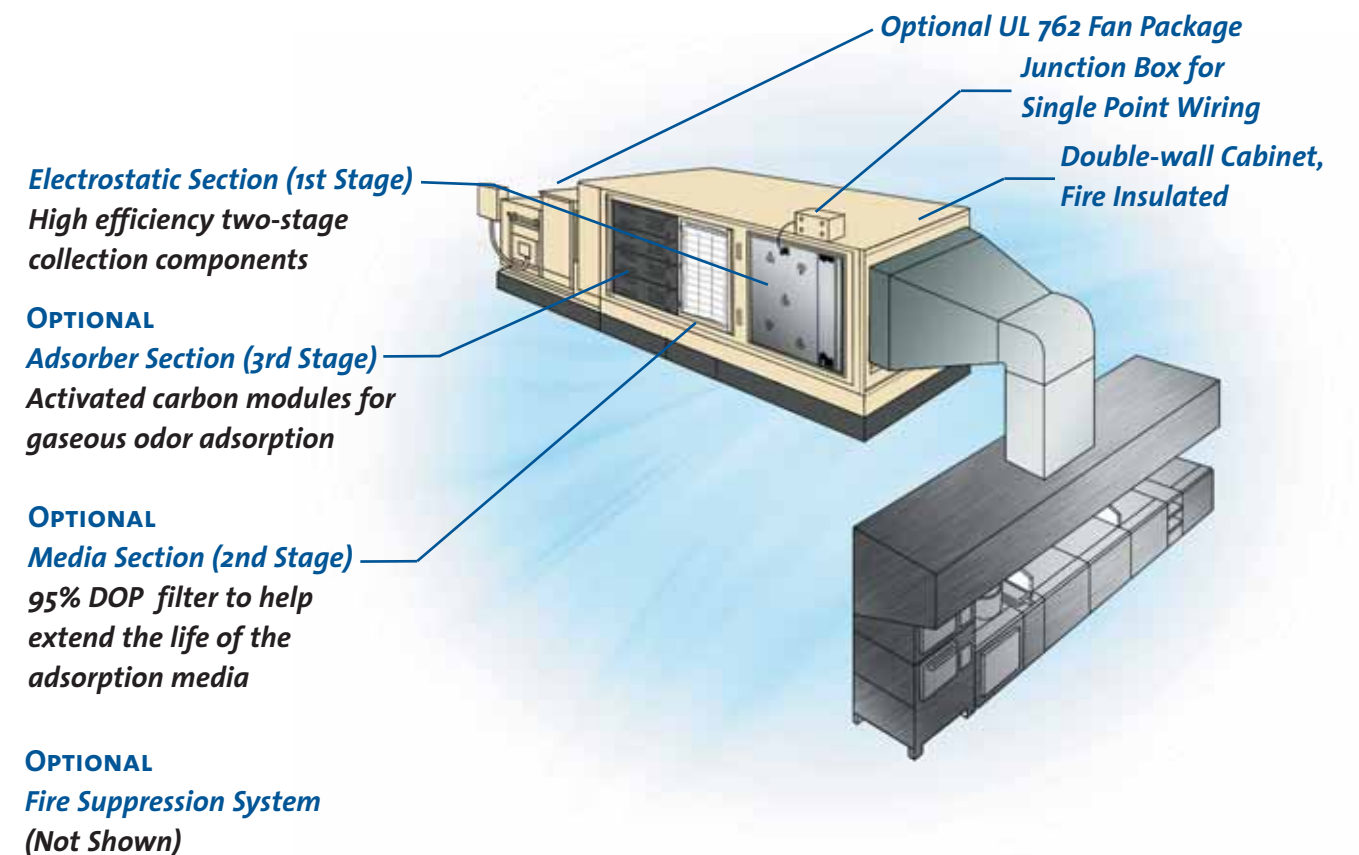
## TRION: THE FIRST NAME IN AIR PURIFICATION SYSTEMS

More than 50 years ago, Trion created the first air cleaner for the U.S. Navy submarine fleet. Since then, commercial and industrial businesses have depended on Trion's trusted and proven technologies. Trion is a division of Fedders Corporation (NYSE: FJC), a leading global manufacturer and marketer of air treatment products.



Qualified to UL Specification YYXS-YYXS7  
Hood and Duct Accessories

## AIR BOSS® KES SERIES SYSTEM COMPONENTS



## Free Manuals Download Website

<http://myh66.com>

<http://usermanuals.us>

<http://www.somanuals.com>

<http://www.4manuals.cc>

<http://www.manual-lib.com>

<http://www.404manual.com>

<http://www.luxmanual.com>

<http://aubethermostatmanual.com>

Golf course search by state

<http://golfingnear.com>

Email search by domain

<http://emailbydomain.com>

Auto manuals search

<http://auto.somanuals.com>

TV manuals search

<http://tv.somanuals.com>