

Warranty Registration:
register online today for a chance to win a FREE Tripp Lite product—www.tripplite.com/warranty

Owner's Manual Addendum

BP12V81 Battery Pack Connection

This addendum deals solely with the procedure to connect a BP12V81 Battery Pack to an Inverter/Charger. Follow all safety warnings and instructions included separately with the Battery Pack and Inverter/Charger prior to attempting connection.

Step 1

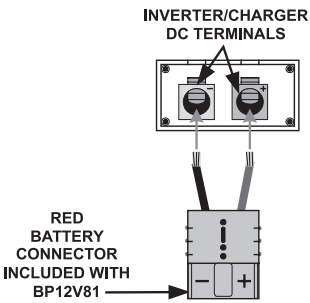
Place the Battery Pack close enough to the Inverter/Charger so that the Battery Pack's cables can reach.

Step 2

Place the Inverter/Charger's operating mode switch in the "OFF" position. Make sure the Inverter/Charger is unplugged from and/or not receiving power from any AC source. Make sure the Inverter/Charger is disconnected from any DC power source.

Step 3

Remove the half-inch of insulation on each of the wire ends of the red battery connector that is included separately with the BP12V81 Battery Pack. Connect the red battery connector's wire ends to the Inverter/Charger's DC terminals. Connect the RED wire to the Inverter/Charger's POSITIVE (+) DC terminal. Connect the BLACK wire to the Inverter/Charger's NEGATIVE (-) DC terminal.



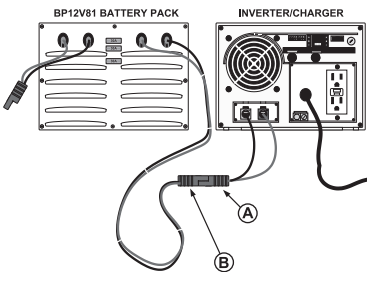
WARNING!

Failure to observe proper polarity during connection could damage and void the warranties of both the BP12V81 Battery Pack and the Inverter/Charger.

Securely tighten the Inverter/Charger's DC terminals to prevent the red battery connector's wires from coming loose due to accidental stress or tension.

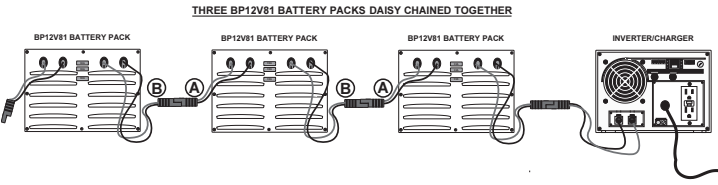
Step 4

Take the Inverter/Charger's red battery connector (A) and connect it to the red battery connector located at the end of the longer of the two cables on the BP12V81 Battery Pack (B).* The two connectors can only be joined with one orientation and should snap into position when pressure is applied.



* Note: There are two cables located on the Battery Pack: a long cable and a short cable. The long cable is for connecting to the Inverter/Charger (or to an additional Battery Pack in an optional daisy-chain connection, see below). The short cable is only used in an optional daisy-chain connection (see below); otherwise, the short cable will remain unconnected.

Optional Daisy-Chain Connection (for longer runtime)



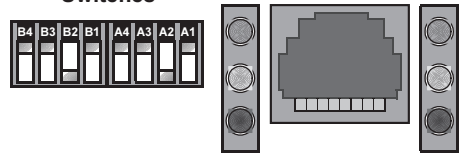
For longer runtime, daisy-chain two or more BP12V81 Battery Packs together. Take the daisy-chain cable, the shorter cable (A), of the Battery Pack closest to the Inverter/Charger and connect it to the external battery connector cable, the longer cable (B), of the Battery Pack you want to add. Repeat the procedure for each additional Battery Pack you connect.

Step 5

Restore AC power to the Inverter/Charger. The BP12V81 Battery Pack(s) and Inverter/Charger are now connected and ready to be used for battery backup applications.

Step 6

Configuration Switches



Set the Inverter/Charger's Configuration DIP Switches to the following positions. Note: the diagram represents the RV750UL and similar Inverter/Chargers. Select Inverter/Charger models do not include the B4, B3, B2 and B1 DIP Switches; in these cases, simply make the A4, A3, A2 and A1 settings recommended below.

Switch	Position	Configuration
B4	UP	Low Charge Amps
B3	UP	Equalize Battery - Leave in up position (Refer to Owner's Manual)
B2	DOWN	B1 in up position and B2 in down position—Limit charging of the battery pack to 66% of the full load rating of the unit
B1	UP	
A4	UP	A3 and A4 both in up position—Unit will switch to battery backup when AC input voltage drops below 105VAC
A3	UP	
A2	DOWN	Battery Charger Enabled
A1	UP	Gel Cell (Sealed) Battery

WARRANTY REGISTRATION

Visit www.tripplite.com/warranty today to register the warranty for your new Tripp Lite product. You'll be automatically entered into a drawing for a chance to win a FREE Tripp Lite product*.

* No purchase necessary. Void where prohibited. Some restrictions apply. See website for details.



1111 W. 35th Street
Chicago, IL 60609
(773) 869-1234
www.tripplite.com

Free Manuals Download Website

<http://myh66.com>

<http://usermanuals.us>

<http://www.somanuals.com>

<http://www.4manuals.cc>

<http://www.manual-lib.com>

<http://www.404manual.com>

<http://www.luxmanual.com>

<http://aubethermostatmanual.com>

Golf course search by state

<http://golfingnear.com>

Email search by domain

<http://emailbydomain.com>

Auto manuals search

<http://auto.somanuals.com>

TV manuals search

<http://tv.somanuals.com>