

**WARRANTY
REGISTRATION:**
register online today for a
chance to win a FREE Tripp Lite
product—www.triplite.com/warranty



Owner's Manual

Caster Kit for Tripp Lite 4-Post Open-Frame Rack Systems

Model: SRCASTER

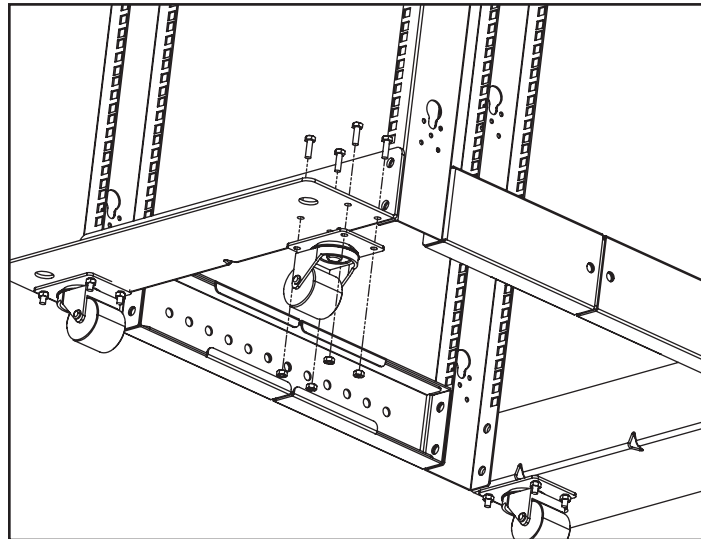


The SRCASTER Kit consists of four (4) casters with required locknuts and bolts for installation on Tripp Lite 4-Post Open Frame Rack Systems (Model SR4POST). The casters install to the base plates of the racks using the pre-drilled holes as shown in the illustration below.



WARNING! Do not attempt to install casters with equipment mounted in the rack. Remove all equipment from the rack before installing casters. Failure to heed this warning may result in damage to rack and equipment or personal injury.

Installing Casters: SR4POST Open Frame Rack



TRIPP·LITE

1111 West 35th Street • Chicago, IL 60609
(773) 869-1234 • www.triplite.com

Tripp Lite follows a policy of continuous improvement. Product specifications are subject to change without notice. Made in China.

Copyright © 2008 Tripp Lite. All rights reserved.

Free Manuals Download Website

<http://myh66.com>

<http://usermanuals.us>

<http://www.somanuals.com>

<http://www.4manuals.cc>

<http://www.manual-lib.com>

<http://www.404manual.com>

<http://www.luxmanual.com>

<http://aubethermostatmanual.com>

Golf course search by state

<http://golfingnear.com>

Email search by domain

<http://emailbydomain.com>

Auto manuals search

<http://auto.somanuals.com>

TV manuals search

<http://tv.somanuals.com>