

**Warranty Registration:**  
register online today for a  
chance to win a FREE Tripp Lite  
product—[www.tripplite.com/warranty](http://www.tripplite.com/warranty)



# Owner's Manual

## SREXTENDER

Rack Enclosure Extension Frame



Español

8

Français

15

### Important Safety Instructions

#### SAVE THESE INSTRUCTIONS

This manual contains instructions and warnings that must be followed during the installation and operation of the product described in this manual. Failure to comply may invalidate the warranty.

- The instructions in this manual are for common rack enclosure types and may not be appropriate for all mounting applications. You must determine the fitness of hardware and procedures before mounting. If hardware or procedures are not suitable for your application, contact the manufacturer of your equipment for a solution.
- Rackmount equipment may be extremely heavy—be careful when moving or lifting equipment. Use one or more assistants if necessary.

### Preparation

**Note:** Tripp Lite recommends using an assistant during installation. Descriptions of left and right are relative to the rear of your rack enclosure. Illustrations may differ slightly from your enclosure, but procedures are similar for 48U, 42U and 25U enclosures unless otherwise noted.

#### Tools Required

- Phillips-head Screwdriver (user-supplied; cordless screwdriver recommended)



1111 W. 35th Street, Chicago, IL 60609 USA  
(773) 869-1234 • [www.tripplite.com](http://www.tripplite.com)

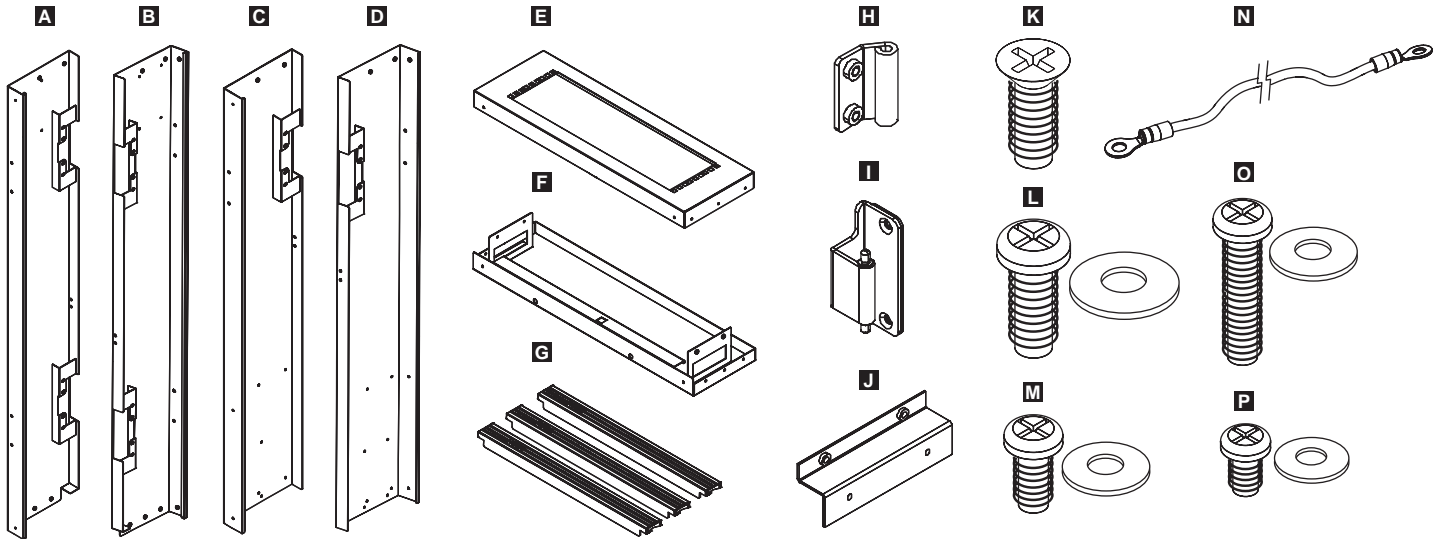
Copyright © 2008 Tripp Lite. All trademarks are the sole property of their respective owners.

# Preparation *(continued)*

## Parts List (If any parts are missing, contact Tripp Lite.)

**Note:** The hinge swivels **H** and 12 hinge swivel screws **L** are pre-installed in the vertical sections **A** through **D**.

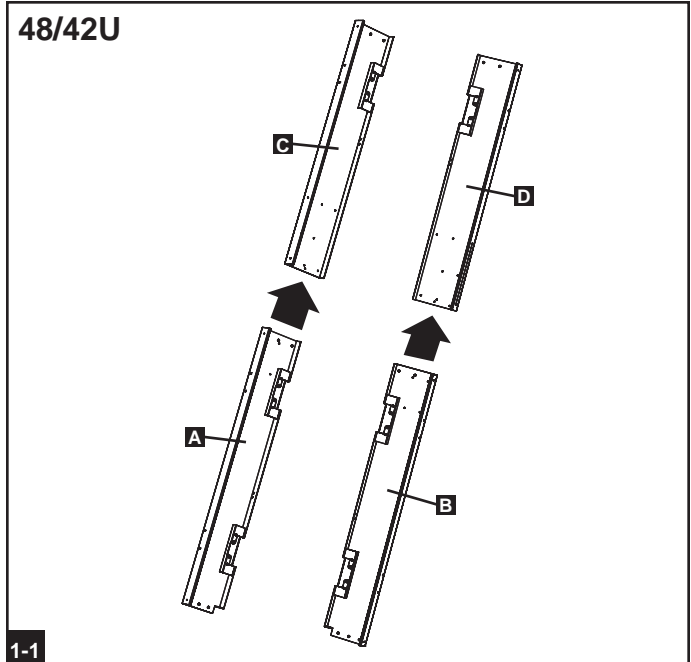
- |   |   |  |
|---|---|--|
| <b>A</b> Lower Left Vertical Section (1)  | <b>G</b> 1U Blanking Panels (3)   | <b>M</b> M5 x 10 mm Pan-Head Screws and Washers (40) |
| <b>B</b> Lower Right Vertical Section (1) | <b>H</b> Hinge Swivels (6 - all pre-installed)                                | <b>N</b> Grounding Cable (1)                         |
| <b>C</b> Upper Left Vertical Section (1)  | <b>I</b> Hinges (4)   | <b>O</b> M5 x 20 mm Pan-Head Screws and Washers (4)  |
| <b>D</b> Upper Right Vertical Section (1) | <b>J</b> Cable Manager Brackets (2)   | <b>P</b> M4 x 8 mm Pan-Head Screws and Washers (8)   |
| <b>E</b> Top Section (1)                  | <b>K</b> M6 x 12 mm Flat-Head Screws (8)                                      |  |
| <b>F</b> Bottom Section (1)               | <b>L</b> M6 x 12 mm Pan-Head Screws and Washers (14 total - 12 pre-installed) |  |



## 1 – Frame Assembly

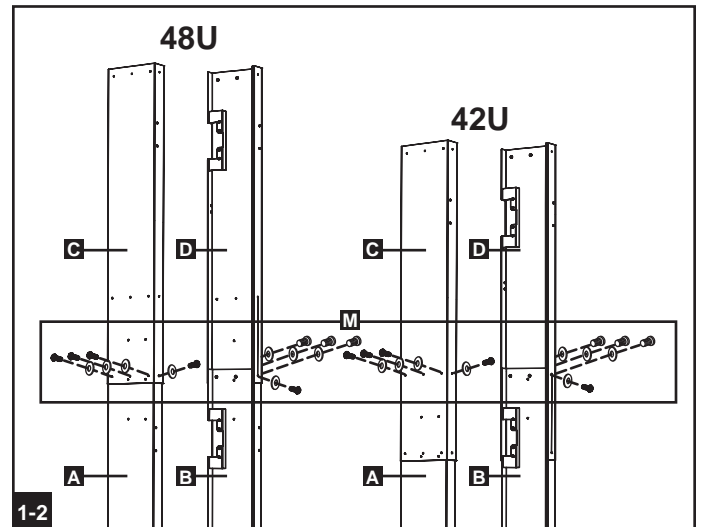
**Note:** For 25U enclosures, you will use only the lower vertical sections **A** and **B**. You will not use the upper vertical sections **C** and **D**. For 48U and 42U enclosures, you will use all four vertical sections.

- 1-1** (For 25U enclosures, skip this step.) Slide the lower left vertical section **A** inside the upper left vertical section **C** as shown. Repeat for the lower right vertical section **B** and the upper right vertical section **D**. The vertical sections are not interchangeable, so refer to the diagram to confirm that you're assembling the correct sections.

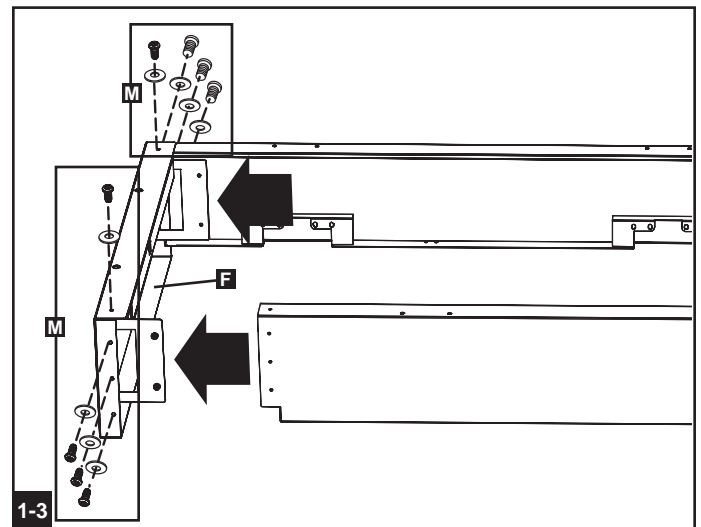


# 1 – Frame Assembly *(continued)*

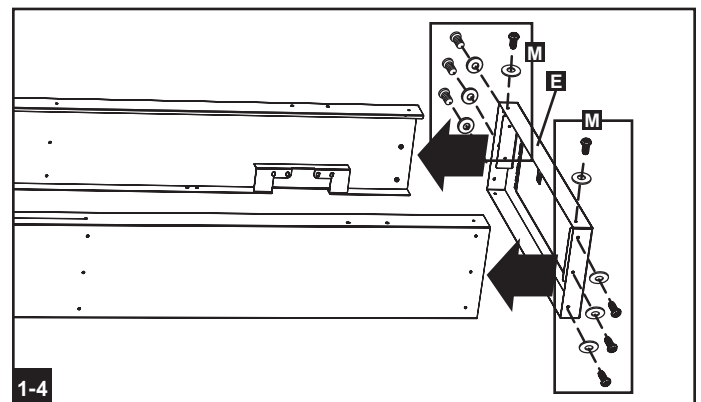
- 1-2** (For 25U enclosures, skip this step.) Align the set of four screw holes in the lower left vertical section **A** and the upper left vertical section **C**. Use the lower set of screw holes for 48U enclosures (this will make the vertical section longer). Use the upper set of screw holes for 42U enclosures (this will make the vertical section shorter). Insert four M5 x 10 mm screws and washers **M** and tighten securely. (Start all the screws before tightening.) Repeat for the lower right vertical section **B** and the upper right vertical section **D**.



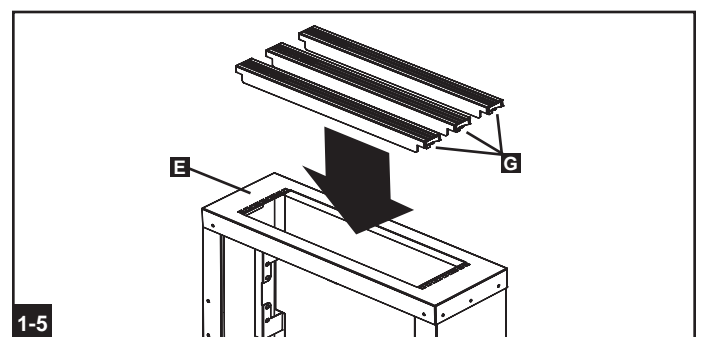
- 1-3** Insert the lower end of the left vertical section into the bottom section **F** as shown. Align the screw holes, insert four M5 x 10 mm screws and washers **M** and tighten securely. (Start all the screws before tightening.) Repeat this step for the right vertical section.



- 1-4** Insert the upper end of the left and right vertical sections into the top section **E**. Align the screw holes, insert eight M5 x 10 mm screws and washers **M** and tighten securely. (Start all the screws before tightening.)

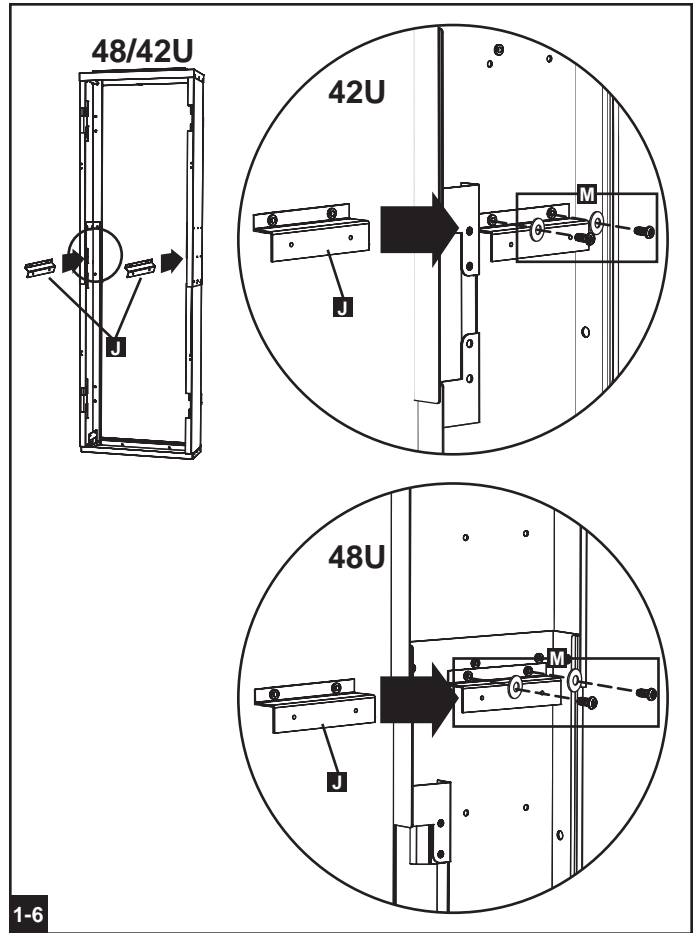


- 1-5** Insert the 1U blanking panels **G** into the top section **E**. Each blanking panel will snap into place with the Tripp Lite logo facing outward. The blanking panels may be removed to install standard 19-inch rack accessories up to 3U – contact Tripp Lite for more information.

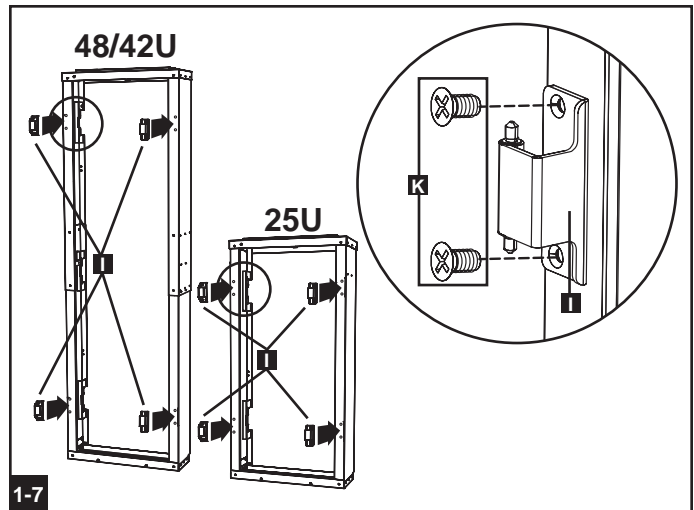


# 1 – Frame Assembly *(continued)*

- 1-6** (For 25U enclosures, skip this step.) Attach the cable manager brackets **J** to the vertical sections with four M5 x 10 mm screws and washers **M** as shown. (For 48U enclosures, use the upper set of holes. For 42U enclosures, use the lower set of holes. The brackets will face downward.)

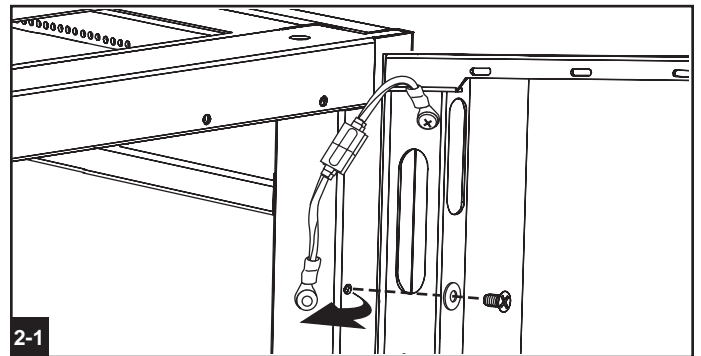


- 1-7** Use two M6 x 12 mm flat-head screws **K** to attach each hinge **I** as shown. Orient each hinge so that the pin is closer to the outside of the frame than the inside.

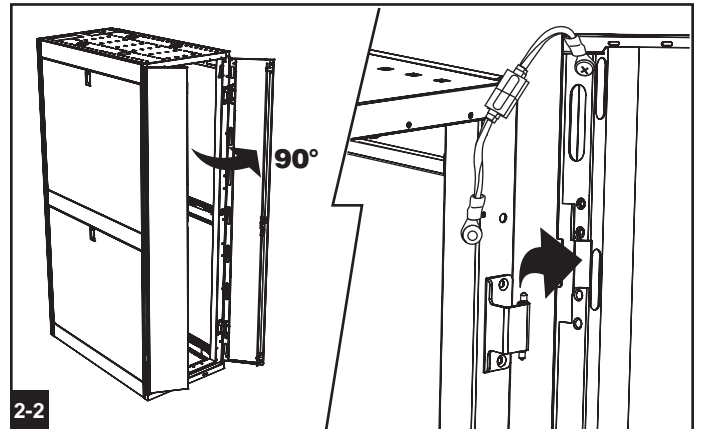


## 2 – Fixation du cadre *(suite)*

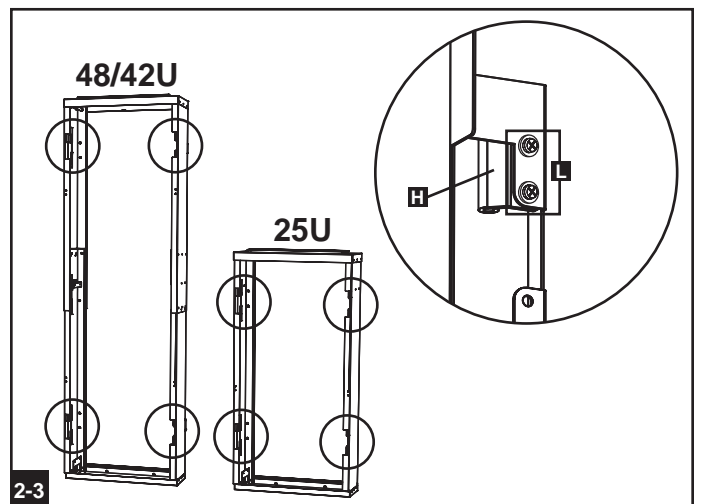
**2-1** Unscrew the grounding cable of the rack enclosure's right rear door from the rack enclosure. (Do not unscrew the cable from the door). Repeat for the left rear door. Save the screws and washers for later use.



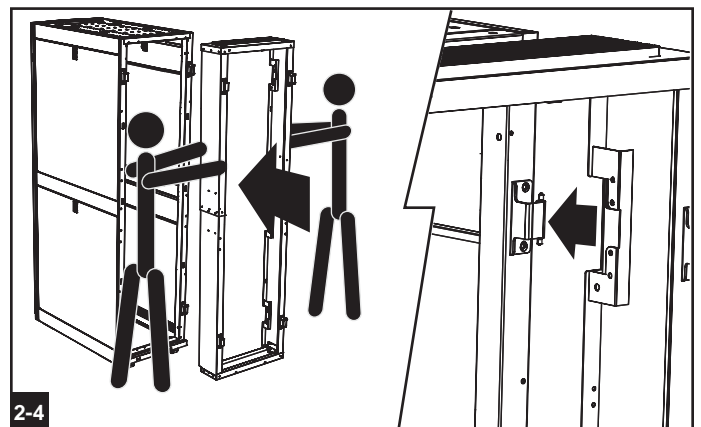
**2-2** Open the right rear door until it is perpendicular (90 degrees) to the rear of the enclosure, lift it from the hinges and set it aside. Repeat for the left rear door. (If the enclosure is joined to another enclosure, turn the door back toward the enclosure as you lift it from the hinges.)



**2-3** Loosen the screws **L** attaching the hinge swivels **H** to the vertical sections in the four locations indicated. **You will retighten the screws in the next step, after attaching the frame to the rack enclosure.**

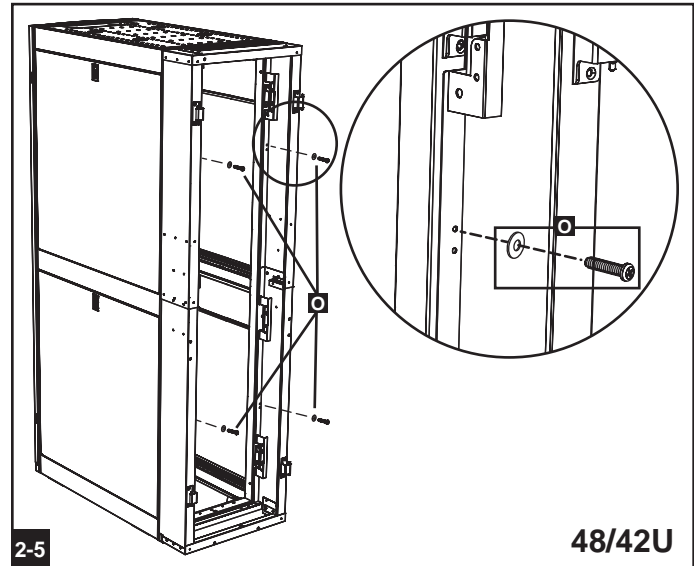


**2-4** With the aid of an assistant, lift the frame, align the frame's hinge swivels with the rack enclosure's hinges and hang the frame from the hinges. When the frame is securely aligned with the rack enclosure, **tighten the hinge swivel screws that you loosened in the previous step.**

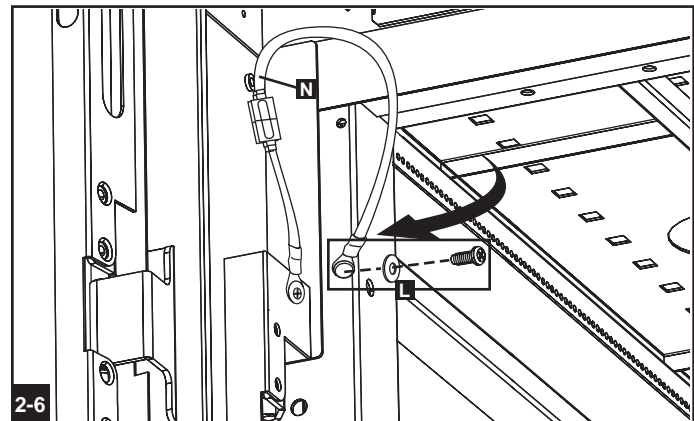


## 2 – Frame Attachment *(continued)*

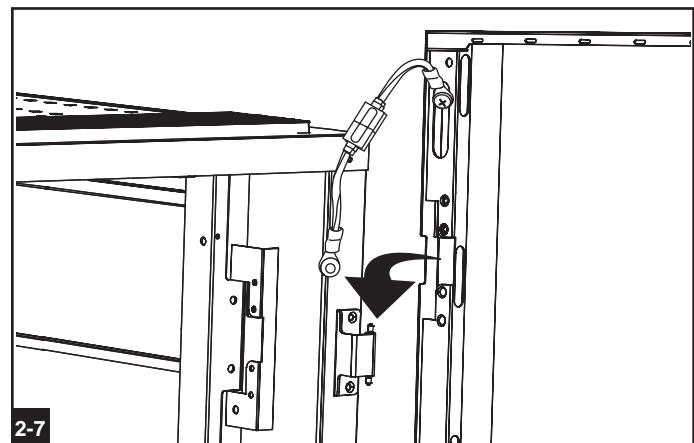
- 2-5** (For 25U enclosures, skip this step.) Use four M5 x 20 mm screws and washers **O** to secure the frame to the rear of the rack enclosure.



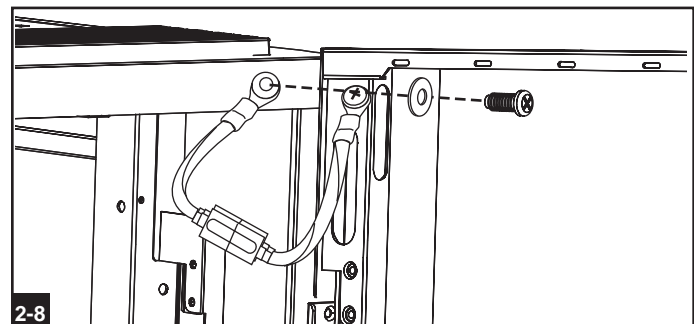
- 2-6** Use two M6 x 12 mm screws and washers **L** to connect the included grounding cable **N** from the rack enclosure to the extension frame.



- 2-7** Reverse step 2-2 to attach the rear doors to the extension frame.

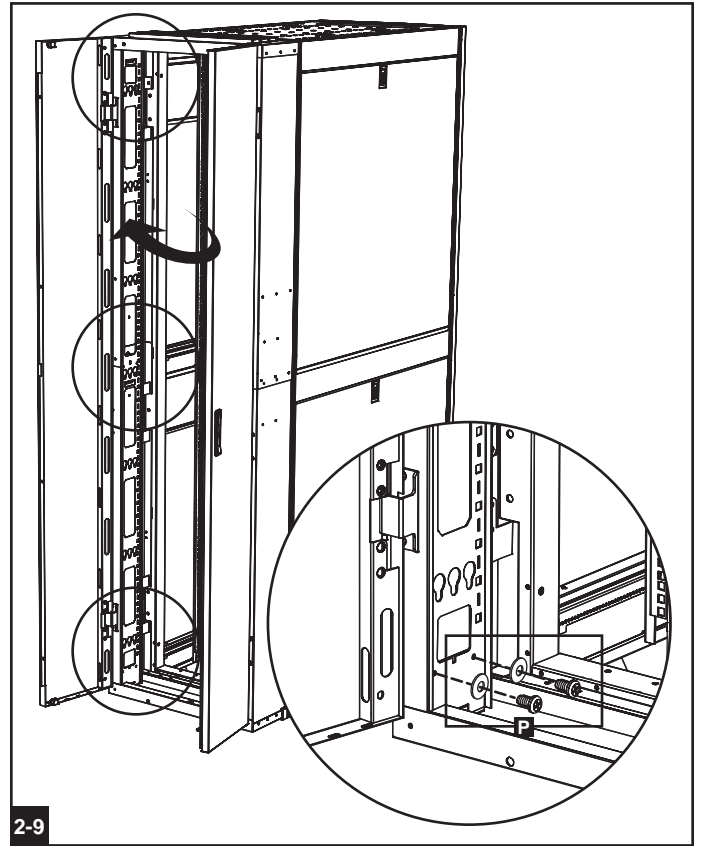


- 2-8** Attach the grounding cable of each rear door to the grounding points of the extension frame as shown. (Use the screws and washers removed in step 2-1.)



## 2 – Frame Attachment *(continued)*

- 2-9** Remove the rack enclosure's cable management rails and reinstall them inside the extension frame. (Extra M4 x 8 mm screws and washers **P** are included for your convenience.)



## Warranty Registration

Visit [www.tripplite.com/warranty](http://www.tripplite.com/warranty) today to register the warranty for your new Tripp Lite product. You'll be automatically entered into a drawing for a chance to win a FREE Tripp Lite product! No purchase necessary. Void where prohibited. Some restrictions apply. See website for details.

Tripp Lite has a policy of continuous improvement. Specifications are subject to change without notice.

Made in China.



1111 W. 35th Street, Chicago, IL 60609 USA  
(773) 869-1234 • [www.tripplite.com](http://www.tripplite.com)

## Free Manuals Download Website

<http://myh66.com>

<http://usermanuals.us>

<http://www.somanuals.com>

<http://www.4manuals.cc>

<http://www.manual-lib.com>

<http://www.404manual.com>

<http://www.luxmanual.com>

<http://aubethermostatmanual.com>

Golf course search by state

<http://golfingnear.com>

Email search by domain

<http://emailbydomain.com>

Auto manuals search

<http://auto.somanuals.com>

TV manuals search

<http://tv.somanuals.com>