

**WARRANTY
REGISTRATION**
Register online today for a chance
to win a FREE Tripp Lite product!
www.tripplite.com/warranty

Owner's Manual

8-Port Standard KVM Switch

Model #: B004-008



Tripp Lite World Headquarters
1111 W. 35th Street, Chicago, IL 60609 USA
(773) 869-1234, www.tripplite.com

NOTE: Follow these instructions and operating procedures to ensure correct performance and to prevent damage to this unit or to its connected devices.

Copyright © 2005 Tripp Lite. All rights reserved. All trademarks are the property of their respective owners. The policy of Tripp Lite is one of continuous improvement. Specifications are subject to change without notice.

Download from Www.Somanuals.com. All Manuals Search And Download.

Table of Contents

Introduction	3
Features	3
Hardware Requirements	4
Console	4
PC	4
Cables	4
Controls and Connections	5
Front View	5
Rear View.....	5
Installation	6
Operation	7
Hot Plugging.....	7
Powering Off and Restarting	7
Port Selection	7
Hot Key Operation	8
Auto Scanning.....	8
Mounting and Stacking Instructions	8
Troubleshooting	9
Specifications	10
FCC Radio / TV Interference Notice	11
Warranty Registration.....	11
1 Year Limited Warranty	11

Introduction

This KVM Switch allows access to multiple PCs from a single console (keyboard, mouse, and monitor). Control up to 8 PCs from a single keyboard-monitor-mouse console.

This 8-Port KVM Switch provides two convenient methods to access any PC connected to the system:

1. Using the port selection switches located on the front panel of the unit
2. Entering Hot Key combinations from the keyboard

A powerful Quick View Scan Mode feature allows you to auto scan and monitor the activities of all operating PCs on the installation one by one.

Features

- Control Up to 8 PCs from a Single Console
- No Software Required - PC Selection done via Front Panel Switches or Hot Keys
- Quick View Scan Mode for Monitoring Selected PCs
- PS/2 and Serial Mouse Emulation Provided for System Bootup
- Console's PS/2 Mouse Controls All Connected PCs
- Microsoft Intellimouse Pro, Logitech FirstMouse, FirstMouse+ Support*
- SVGA, VGA and Multisync Monitor Support
- LED Display for Easy Status Monitoring
- Rack Mountable in 19" System Rack
- Hot Pluggable - Add or Remove PCs for Maintenance Without Powering Down the Switch
- Superior Video Quality: 1920x1440; DDC2B.

- * 1. PS/2 compatible mouse support is for three button (wheel) mice.
2. The Change Device procedure in the Logitech Mouse Ware program does not work in Microsoft NT.

Hardware Requirements

Console

- A VGA, SVGA, or Multisync monitor capable of the highest resolution that you will be using on any of the PCs.
- A PS/2 Style Mouse
- A PS/2 Style Keyboard

PC

Each PC must have:

- A VGA, SVGA, Multisync card or USB port.*
- A 6-pin mini-DIN (PS/2 style).
- Either a 6-pin mini-DIN (PS/2 Style) keyboard port with +5V DC on pin 4 and Ground on pin 3, or a USB port.*

Cables

The following are the cables needed to connect your KVM Switch to the CPUs:

P750-006 PS/2 Cable Kit – 6'

P750-010 PS/2 Cable Kit – 10'

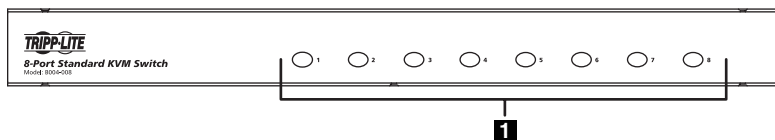
P750-015 PS/2 Cable Kit – 15'

Note: The wiring and pin assignments will not let you to use a Serial-to-PS/2 adapter at the KVM side of the cable. Attempting to use a standard serial extender cable with adapters at both ends will fail.

- * Use a B015-000 PS/2 to USB Adapter to connect a USB computer to the KVM (still requires a P750 series cable kit to complete CPU connection).

Controls and Connections

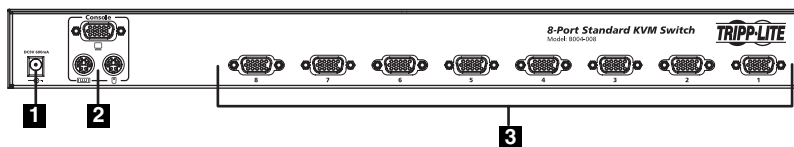
B004-008 Front View:



1 Lighted Port Selection Button

- Lights GREEN to indicate which ports have been selected.
- Lights RED to indicate which ports are connected to a computer and powered on.
- An unlit button indicates that no computer is connected or that the connected computer is not power on.
- A flashing button indicates which port is currently selected in the auto-scan mode.

B004-008 Rear View:



1 Power Jack

The optional power adapter plugs in here. The switch is designed to be non-powered (no external power required). It draws the necessary power from the connected CPUs through the Keyboard/Mouse connection. External power is required if the CPUs do not provide sufficient power (operation will be erratic).

2 Console Port Section

Your monitor, keyboard and mouse plug in here.

3 CPU Port Section

The cables from the PCs plug in here.

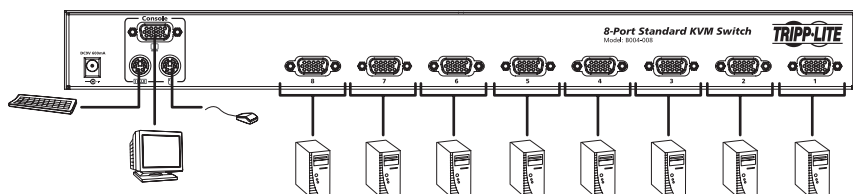
Installation

Make sure that power to all the devices (KVM Switch and PCs) you will be connecting have been turned off.

1. Plug the monitor, keyboard, and mouse into the Console Ports
2. Use connector cable sets (listed in the Hardware Requirements section) to connect each PC's monitor, keyboard and mouse ports to one set of the KVM ports.
3. If you choose to use external power, connect the supplied adapter to the power socket on the KVM switch and then plug the adapter into an AC power source. The unit is designed for non-powered operation (it draws power from the computers via the keyboard and mouse cables). If a computer only supplies 3.3V of power for the keyboard and mouse instead of 5V (as in the case of Notebooks), you will need to use the external power adapter.

Note: If you choose to use external power, the unit must be plugged in and receiving power prior to Step 4.

4. Turn on the power to the PCs.



Operation

Hot Plugging

Components can be removed and added back into the installation by unplugging their cables from the unit's ports without shutting the switch down. The following procedures must be performed in order for hot plugging to work:

- **Hot Plugging CPU Ports:**

When hot plugging cables from the CPU ports:

1. The cable must be plugged back into the same port it was removed from.
2. The mouse cable must be plugged in before the keyboard cable.

- **Hot Plugging Console Ports:**

When hot plugging the mouse from the KVM Switch's console mouse port:

1. The mouse may be removed and replaced (to reset the mouse, for example), as long as it is the same mouse.
2. If you plug in a different mouse, all the computers must be shut down for 10 seconds, then restarted.

Powering Off and Restarting

If it is necessary to Power Off the KVM Switch, do the following before restarting it:

1. Shut down all the computers.

Note:

1. Unplug the power cord of any PC (connected to that KVM) that has the Keyboard Power On function.
2. If the unit is operating on external power, unplug the power adapter cable.

2. Wait 10 seconds, then restart the KVM Switch.
3. After the Switch is up, power ON the PCs.

Port Selection

Controlling all the PCs connected to the Switch is very easy. The following three methods can be used:

- **Manual**

Simply press the appropriate port selection switch on the unit's front panel. The Selected LED will light to indicate that the port is selected.

Operation

Hot Key Operation

The following are the hot key commands for your KVM (keys must be pressed sequentially).

Change to previous port: Scroll Lock + Scroll Lock + [↑]

Change to next port: Scroll Lock + Scroll Lock + [↓]

Change to a specific port: Scroll Lock + Scroll Lock + “1” to “8” (depending on desired port)

Set auto-scan to “X” (where “X” can be 07, 15 or 30 for 7, 15 or 30 seconds): Scroll Lock + Scroll Lock + a + “X”

Start auto-scan: Scroll Lock + Scroll Lock + 0

Auto Scanning

Use the hot key command (Scroll Lock + Scroll Lock + a + X) to set the auto scan duration. “X” is the scan interval (see above). Use the hot key command (Scroll Lock + Scroll Lock + 0) to initiate the auto scan. The KVM cycles through all the ports, and displays each one for the amount of time set with the Scan Interval. When you want to stop at a particular location, press the spacebar key to stop scanning.

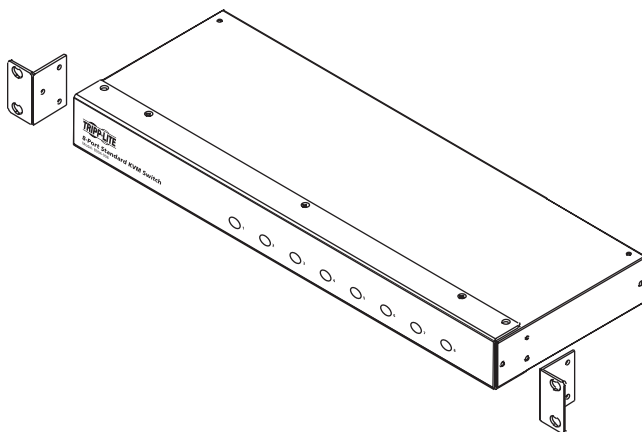
Note: If you stop scanning on an empty port, or one where the computer is attached but is powered off, the monitor screen will be blank, and the mouse and keyboard will have no effect. To recover, key in the Hot Key sequence (see Hot Key Selection, above), for any Port ID that has an active PC attached.

Mounting and Stacking Instructions

For convenience in large installations, the unit is supplied with the necessary hardware for rack mounting in a 19” (1U) system rack, or stacked.

For Rack Mounting:

1. Screw the mounting brackets into the sides of the unit.
2. Slide the unit into the rack and secure it to the rack.



Troubleshooting

Symptom	Possible Cause	Action
Erratic Behavior	Unit not receiving power under self-powered operation	Use the power adapter that was provided with the units to provide external power.
Pressing the Hot Keys does not get a response	The connection from the selected port to the target PC has been broken, or the PC is turned OFF.	Check the Online LED for the selected port. If it is not lit: <ol style="list-style-type: none"> 1. Manually press one of the Select switches to connect to a PC that is powered ON. 2. Check the cables to make sure all are properly connected. 3. If the desired PC is OFF, power it ON
	Improper KVM switch reset	Turn OFF KVM Switch and wait 5 seconds before turning it back ON. This unit cannot be cascaded. Note: If the unit is operating in the Selfpowered mode (without the optional Power Adapter), you must unplug the power cord of any connected PC that has the Keyboard 'Power On' function, otherwise the switch still draws power from the PC.
	Incorrect keying in the Port ID.	After invoking the hotkey function, be sure to key in the Port ID and press [Enter] within 1 second for each key.

Specifications

Power Consumption		DC9V 600mA
PC Connections	Direct	8
Port Selection		Front Panel Switches Hot Keys
LEDs	On Line	8 (Red)
	Selected	8 (Green)
Connectors	Console	1 x mini-DIN 6 Female (PS/2 Style Mouse) 1 x mini-DIN 6 Female (PS/2 Style Keyboard) 1 HDDB15 Female (standard VGA/SVGA)
	CPU Ports	8 HDDB15 Male (standard VGA/SVGA)
Scan Interval (OSD Selection)		7, 15, 30 seconds
Operating Temperature		41 – 104° F
Storage Temperature		-4 – 140° F
Humidity		0 – 80%RH, Noncondensing
Enclosure		Metal
Weight		6.25 lbs
Dimensions		19" x 6" x 1¾" (19" 1U)

FCC Radio / TV Interference Notice

Note: This equipment has been tested and found to comply with the limits for a Class A digital device, pursuant to Part 15 of the FCC Rules. These limits are designed to provide reasonable protection against harmful interference when the equipment is operated in a commercial environment. This equipment generates, uses and can radiate radio frequency energy and, if not installed and used in accordance with the instruction manual, may cause harmful interference to radio communications. Operation of this equipment in a residential area is likely to cause harmful interference in which case the user will be required to correct the interference at his own expense. The user must use shielded cables and connectors with this product. Any changes or modifications to this product not expressly approved by the party responsible for compliance could void the user's authority to operate the equipment.

WARRANTY REGISTRATION

Visit www.tripplite.com/warranty today to register the warranty for your new Tripp Lite product. You'll be automatically entered into a drawing for a chance to win a FREE Tripp Lite product!*

* No purchase necessary. Void where prohibited. Some restrictions apply. See website for details.

1-YEAR LIMITED WARRANTY

TRIPP LITE warrants its products to be free from defects in materials and workmanship for a period of one (1) year from the date of initial purchase. TRIPP LITE's obligation under this warranty is limited to repairing or replacing (at its sole option) any such defective products. To obtain service under this warranty, you must obtain a Returned Material Authorization (RMA) number from TRIPP LITE or an authorized TRIPP LITE service center. Products must be returned to TRIPP LITE or an authorized TRIPP LITE service center with transportation charges prepaid and must be accompanied by a brief description of the problem encountered and proof of date and place of purchase. This warranty does not apply to equipment which has been damaged by accident, negligence or misapplication or has been altered or modified in any way.

EXCEPT AS PROVIDED HEREIN, TRIPP LITE MAKES NO WARRANTIES, EXPRESS OR IMPLIED, INCLUDING WARRANTIES OF MERCHANTABILITY AND FITNESS FOR A PARTICULAR PURPOSE. Some states do not permit limitation or exclusion of implied warranties; therefore, the aforesaid limitation(s) or exclusion(s) may not apply to the purchaser.

EXCEPT AS PROVIDED ABOVE, IN NO EVENT WILL TRIPP LITE BE LIABLE FOR DIRECT, INDIRECT, SPECIAL, INCIDENTAL OR CONSEQUENTIAL DAMAGES ARISING OUT OF THE USE OF THIS PRODUCT, EVEN IF ADVISED OF THE POSSIBILITY OF SUCH DAMAGE. Specifically, TRIPP LITE is not liable for any costs, such as lost profits or revenue, loss of equipment, loss of use of equipment, loss of software, loss of data, costs of substitutes, claims by third parties, or otherwise.

The policy of TRIPP LITE is one of continuous improvement. Specifications are subject to change without notice.

This product designed and engineered in the USA.



Tripp Lite World Headquarters
1111 W. 35th Street, Chicago, IL 60609 USA
(773) 869-1234, www.tripplite.com

200507103 93-2465

Free Manuals Download Website

<http://myh66.com>

<http://usermanuals.us>

<http://www.somanuals.com>

<http://www.4manuals.cc>

<http://www.manual-lib.com>

<http://www.404manual.com>

<http://www.luxmanual.com>

<http://aubethermostatmanual.com>

Golf course search by state

<http://golfingnear.com>

Email search by domain

<http://emailbydomain.com>

Auto manuals search

<http://auto.somanuals.com>

TV manuals search

<http://tv.somanuals.com>