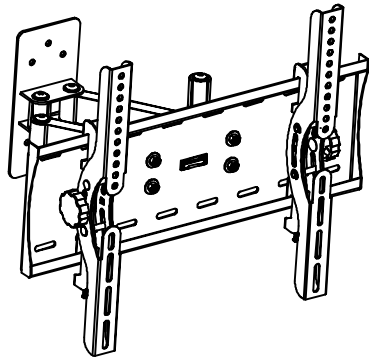




DWM 2342M

INSTALLATION GUIDE



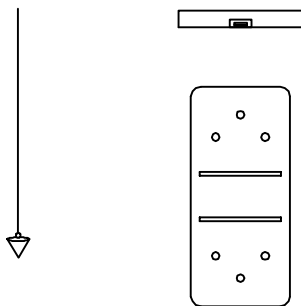
Max load capacity: 50KG/110lbs
 Screw size range: 23"-42"
 Adjustable angle: ±10°

IMPORTANT: If necessary, please consult a professional installer if these instructions do not apply to your mounting application.

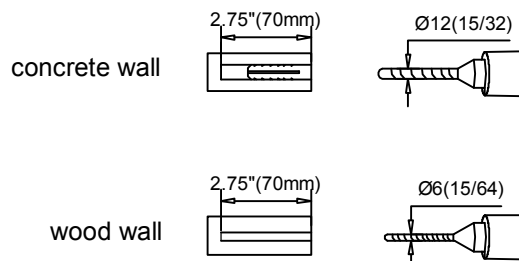
PACKAGE CONTENTS

NO.	Appearance	Qty	Description	Size
SC30764		4	7MM lag bolt	Ø7X64mm
C31357A		4	concrete anchor	Ø13X57mm
C31620-300		4	plastic spacer	Ø16X20mm
C31213-300		4	plastic spacer	Ø12X13mm
SC30764-100		1	Install sleeve	
SC10840		4	machine screw	Ø8X40mm
SC10825		4	machine screw	Ø8X25mm
SC10630		4	machine screw	Ø6X30mm
A106-100		2	Allen Key	6mm
SC11815-200		4	washer	Ø18X1.5mm 6mm
SC13015-200		8	washer	Ø20X1.5mm 8mm
SC11515-200		4	washer	Ø15X1.5mm 5mm
703103M-24		1	plate	548x195x25mm T:2mm
703103M-25		2	left/light TV rail	428x70x65mm T:2mm
73103M-26		1	wall plate	S 4 V 4 R 4

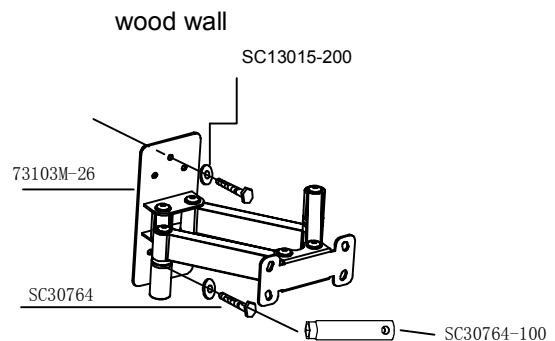
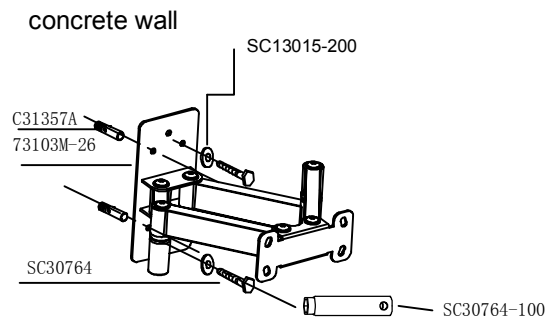
1. Using a level, place the wall plate against the wall and mark the position of the holes to be drilled.



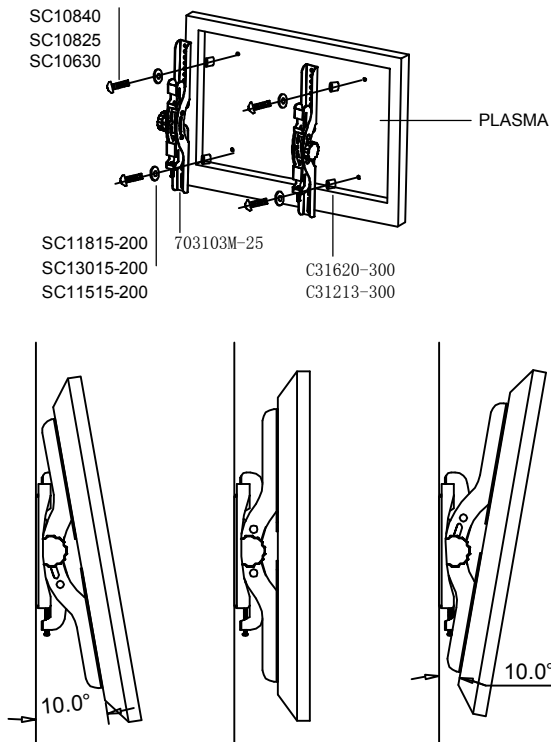
2. Drill 2.75" (70mm) deep holes with a Ø12 bit. (If you install the wall plate in a wooden wall, Use a Ø6 bit.)



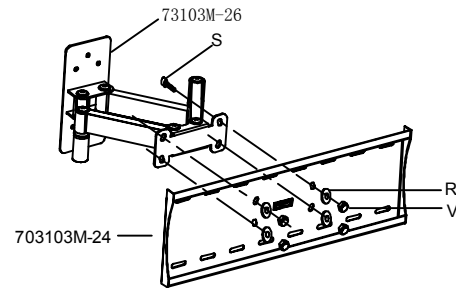
3. Mount the wall plate using the hardware as shown below.



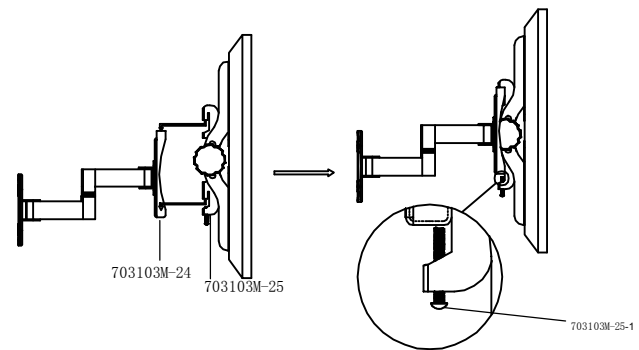
4. Using the correct length hardware, mount the rails to the TV or LCD panel. Determine the amount of tilt you need before tightening.



5. Mount the plate to the arm assembly. Level the plate and tighten the mounting hardware.

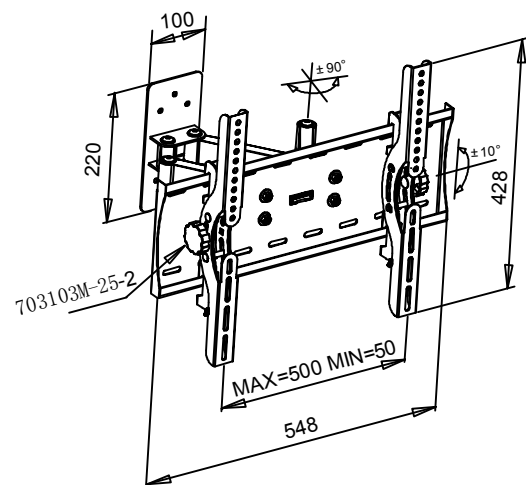


6. Put the TV or LCD panel onto the plate using the hooks. Once positioned, tighten the lower screws shown to lock the rails into place.



⚠ WARNING:

1. It is not recommended to use this mount on hollow walls. Always mount to concrete, brick or wall studs.
2. Do not over tighten the mounting hardware.
3. Completely remove the the TV or LCD panel before loosening any of the mounting screws.
4. For added security, always use the included Allen wrench to tighten the hardware by hand.



The viewing angle can be adjusted by loosen or tighten 703103M-25-2.

Free Manuals Download Website

<http://myh66.com>

<http://usermanuals.us>

<http://www.somanuals.com>

<http://www.4manuals.cc>

<http://www.manual-lib.com>

<http://www.404manual.com>

<http://www.luxmanual.com>

<http://aubethermostatmanual.com>

Golf course search by state

<http://golfingnear.com>

Email search by domain

<http://emailbydomain.com>

Auto manuals search

<http://auto.somanuals.com>

TV manuals search

<http://tv.somanuals.com>