



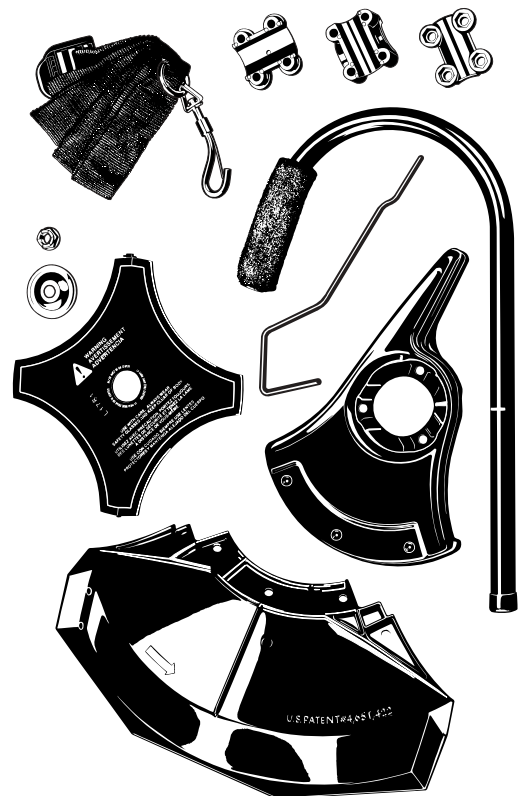
# Owner/Operator Manual

## Brush Cutter Kit

- Safety
- Assembly
- Operation

### Models

41AM079G063



---

# Introduction

## THANK YOU

Thank you for buying this quality product. This modern outdoor power tool will provide many hours of useful service. You will find it to be a great labor-saving device. This operator's manual provides you with easy-to-understand operating instructions. Read the whole manual and follow all the instructions to keep your new outdoor power tool in top operating condition.

## PRODUCT REFERENCES, ILLUSTRATIONS AND SPECIFICATIONS

All information, illustrations and specifications in this manual are based on the latest product information available at the time of printing. We reserve the right to make changes at any time without notice.

Copyright© 2000 MTD Southwest Inc  
All Rights Reserved.

---

## Table of Contents

Introduction.....	2	Remove the Cutting Attachment .....	8
Table of Contents .....	2	Remove the Old Cutting Attachment Shield.....	8
Contents of Carton.....	2	Install the New Cutting Attachment Shield Mount.....	9
Service Information .....	3	Install the Cutting Blade .....	9-10
Section 1: Safety .....	3-6	Remove the Cutting Blade and	
Important Safety Information .....	4-5	Install the Cutting Attachment.....	10
Safety and International Symbols .....	5-6	Removing and Installing the Cutting Attachment Shield ..	11
Section 2: Assembly.....	6-11	Section 3: Operation .....	12
Installing the Brush Cutter Kit .....	6	Holding the Unit.....	12
Remove the D-handle .....	6	Using the Cutting Blade .....	12
Installing and Adjusting the J-handle .....	7	Section 4: Warranty .....	14
Installing the Harness .....	8		

---

## Contents of Carton

- J-Handle and Hardware
- 4-Tooth Cutting Blade with Cover and Hardware
- Cutting Attachment Shield Mount and Hardware
- Cutting Attachment Shield and Hardware
- Shoulder Harness
- Locking Rod
- Operator's Manual
- Product Registration Card

### TOOLS REQUIRED FOR ASSEMBLY

- 7/16" Wrench
- 5/8" Closed End or Socket Wrench
- Torx T-20 Screwdriver or Flat blade Screwdriver
- Phillips Screwdriver
- Flat blade Screwdriver

## SERVICE INFORMATION

Service on this unit both within and after the warranty period should be performed only by an authorized and approved service dealer.

Dial:

- **1-800-345-8746** or for authorized service dealers in the United States

Or

- **1-800-668-1238** in Canada to obtain the listing of the authorized service dealer nearest you.

**DO NOT RETURN THE UNIT TO THE RETAILER.**

**NOTE: PROOF OF PURCHASE WILL BE REQUIRED FOR WARRANTY SERVICE.**

Make sure this manual is carefully read and understood before starting or operating this equipment.

THIS PRODUCT IS COVERED BY ONE OR MORE US PATENTS, OTHER PATENTS PENDING.

## Section 1

# Safety

The purpose of safety symbols is to attract your attention to possible dangers. The safety symbols, and their explanations, deserve your careful attention and understanding. The safety warnings do not by themselves eliminate any danger. The instructions or warnings they give are not substitutes for proper accident prevention measures.

### SYMBOL MEANING



**SAFETY ALERT SYMBOL:** Indicates danger, warning, or caution. Attention is required in order to avoid serious personal injury. May be used in conjunction with other symbols or pictographs.

**NOTE:** *Advises you of information or instructions vital to the operation or maintenance of the equipment.*



### DANGER

Failure to obey a safety warning will result in serious injury to yourself or to others. Always follow the safety precautions to reduce the risk of fire, electric shock, and personal injury.



### WARNING

Failure to obey a safety warning can result in injury to yourself and others. Always follow the safety precautions to reduce the risk of fire, electric shock, and personal injury.



### CAUTION

Failure to obey a safety warning may result in property damage or personal injury to yourself or to others. Always follow the safety precautions to reduce the risk of fire, electric shock, and personal injury.



To prevent serious personal injury to yourself or others, or damage to the unit or property, read, understand and follow the information in this manual. Use this manual along with the manual provided with your unit that this kit is to be assembled on.

# • IMPORTANT SAFETY INFORMATION •

## READ ALL INSTRUCTIONS

### BEFORE OPERATING

- Read the instructions carefully. Follow all instructions when assembling and using this kit with your unit.
- Clear the area to be cut before each use. Remove all objects such as rocks, broken glass, nails, wire, or string which can be thrown or become entangled in the cutting attachment. Clear the area of children, bystanders, and pets. At a minimum, keep all children, bystanders and pets outside a 50 ft. (15 m.) radius; there still may be a risk to bystanders from thrown objects. Bystanders should be encouraged to wear eye protection. If you are approached, stop the engine and cutting attachment immediately.

### WHILE OPERATING

- Wear safety glasses or goggles that are marked as meeting ANSI Z87.1-1989 standards, and ear/hearing protection when operating this unit. Wear a face or dust mask if the operation is dusty. Long sleeve shirts are recommended.
- Wear heavy, long pants, boots, gloves and a long sleeve shirt. Do not wear loose clothing, jewelry, short pants, sandals or go barefoot. Secure hair above shoulder level.
- The cutting attachment shield must always be in place while operating the unit as a trimmer. Do not operate unit without both trimming lines extended, and the proper line installed. Do not extend the trimming line beyond the length of the shield.
- Read and follow the operator's manual for the unit this kit is intended for
- Adjust the J-handle to provide the best grip.
- Be sure the cutting attachment is not in contact with anything before starting the unit.
- Use only in daylight or good artificial light.
- Do not overreach. Always keep proper footing and balance.
- Always hold the unit with both hands when operating. Keep a firm grip on both the front and rear handle or grips.
- Keep hands, face, and feet at a distance from all moving parts. Do not touch or try to stop the cutting attachment when it is rotating.
- Do not operate the engine faster than the speed needed to cut, trim or edge. Do not run the engine at high speed when not cutting.
- Always stop the engine when cutting is delayed or when walking from one cutting location to another.

- If you strike or become entangled with a foreign object, stop the engine immediately and check for damage. Do not operate before repairing damage. Do not operate the unit with loose or damaged parts.
- Stop and switch the engine to off for maintenance, repair, or for changing the cutting attachment or other attachments.
- Use the right tool. Only use this tool for the purpose intended.
- Keep unit clean of vegetation and other materials. They may become lodged between the cutting attachment and shield.

### WHILE OPERATING WITH CUTTING BLADE

- Read and understand all safety warnings before operating this unit.
- Always use the shoulder harness when using the brush blade accessory.
- Keep the handle between the operator and cutting attachment or blade at all times.
- NEVER cut with the cutting blade located over 30 inches (76 cm) or more above the ground level.
- **Blade thrust** may occur when the spinning blade contacts an object that it does not immediately cut. **Blade thrust** can be violent enough to cause the unit and/or operator to be propelled in any direction, and possibly lose control of the unit. **Blade thrust** can occur without warning if the blade snags, stalls or binds. This is more likely to occur in areas where it is difficult to see the material being cut.
- For operation with the blade, do not cut anything thicker than 1/2 inch or a violent kickback could occur.
- Do not attempt to touch or stop the blade when it is rotating.
- A coasting blade can cause injury while it continues to spin after the engine is stopped or the throttle trigger is released. Maintain proper control until the blade has completely stopped rotating.
- Do not run the unit at high speed when not cutting.
- If you strike or become entangled with a foreign object, stop the engine immediately and check for damage. Have any damage repaired before attempting further operations. Do not operate unit with a bent, damaged or dull blade. Discard blades that are bent, warped, or damaged.
- Do not sharpen the cutting blade. Sharpening the blade can cause the blade tip to break off while in use. This can result in severe personal injury. Replace the blade.

- Do not use the cutting blade for edging or as an edger, severe personal injury to yourself or others can occur. Use the cutting blade only for the purpose as described in this manual.
- Stop the engine IMMEDIATELY if you feel excessive vibration. Vibration is a sign of trouble. Inspect thoroughly for loose nuts, bolts or damage before continuing. Repair or replace affected parts as necessary.

#### AFTER USE

- Clean cutting blades with a household cleaner to remove any gum buildup. Oil the blade with machine oil to prevent rust.
- Lock up and store the cutting blade in an appropriate area to protect the blade from unauthorized use or damage.

## SAVE THESE INSTRUCTIONS

### SAFETY AND INTERNATIONAL SYMBOLS

This operator's manual describes safety and international symbols and pictographs that may appear on this product. Read the operator's manual for complete safety, assembly, operating and maintenance and repair information.

#### SYMBOL

#### MEANING



#### • SAFETY ALERT SYMBOL

Indicates danger, warning, or caution. May be used in conjunction with other symbols or pictographs.



#### • WARNING - READ OPERATOR'S MANUAL

Read the Operator's Manual(s) and follow all warnings and safety instructions. Failure to do so can result in serious injury to the operator and/or bystanders.



#### • FOR SERVICE INFORMATION, CALL:

USA: 1-800-345-8746  
CANADA: 1-800-668-1238



#### • WEAR EYE AND HEARING PROTECTION

**WARNING:** Thrown objects and loud noise can cause severe eye injury and hearing loss. Wear eye protection meeting ANSI Z87.1 standards and ear protection when operating this unit.



#### • KEEP BYSTANDERS AWAY

**WARNING:** Keep all bystanders, especially children and pets, at least 50 feet (15 m) from the operating area.



#### • THROWN OBJECTS AND ROTATING CUTTER CAN CAUSE SEVERE INJURY

**WARNING:** Do not operate without the cutting attachment shield in place. Keep away from the rotating cutting attachment.



#### • HOT SURFACE WARNING

Do not touch a hot muffler, gear housing or cylinder. You may get burned. These parts get extremely hot from operation. When turned off they remain hot for a short time.



#### • SHARP BLADE

**WARNING:** Sharp blade on cutting attachment shield. To prevent serious injury, do not touch line cutting blade.

# Safety (continued)

## SYMBOL



## MEANING

- **BRUSHCUTTERS** • Replace dull blade.

Do not sharpen the cutting blade. Sharpening the blade can cause the blade tip to break off while in use. This can result in severe personal injury.

## • TRIMMER/BRUSHCUTTER SAFETY

**WARNING:** Thrown objects and rotating cutter can cause severe injury. Keep bystanders, especially children and pets, at least 50 feet (15 m) away from the cutting area. The cutting attachment shield must be used when using the trimmer cutting attachment.



**WARNING:** The operation of any power tool can cause foreign objects to be thrown into your eyes. This can lead to severe eye damage. Before commencing power tool operation, always wear safety glasses or goggles that are marked as meeting ANSI Z87.1 standards, and a full face shield when needed.

## Section 2

# Assembly

## INSTALLING THE BRUSH CUTTER KIT

The Brush Cutter Kit consists of:

- J-handle and hardware
- Harness
- New cutting attachment mount
- New cutting attachment shield
- Cutting blade
- Blade retainer and nut
- Locking Rod

The D-handle and old cutting attachment shield must be removed and replaced. All other kit items must be assembled before using the unit with the cutting blade.

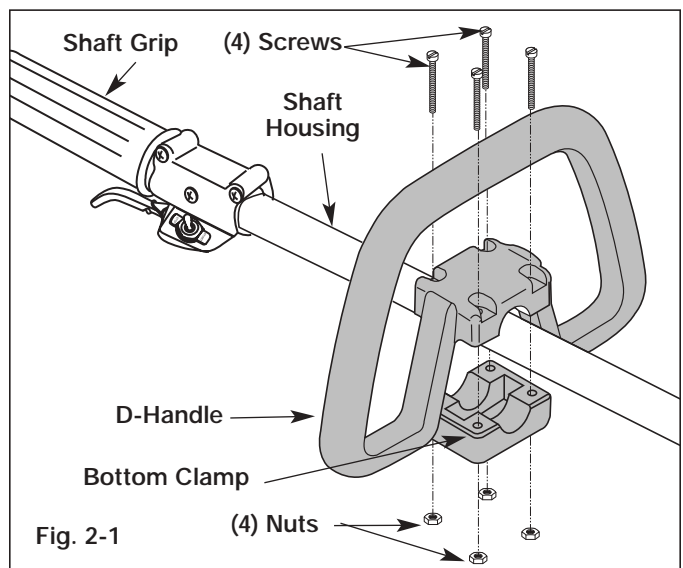
## **WARNING**

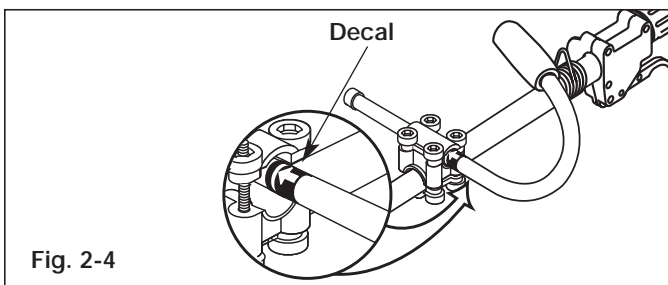
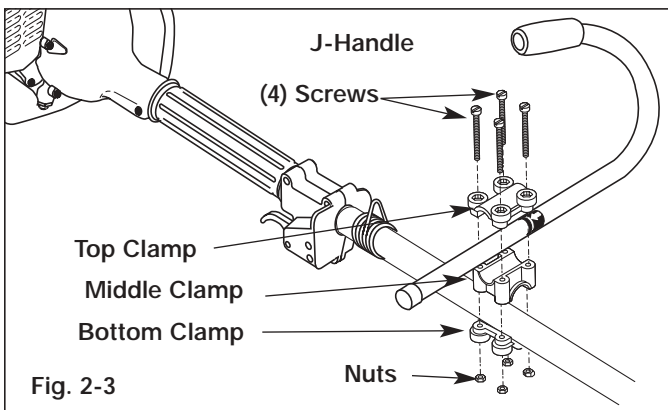
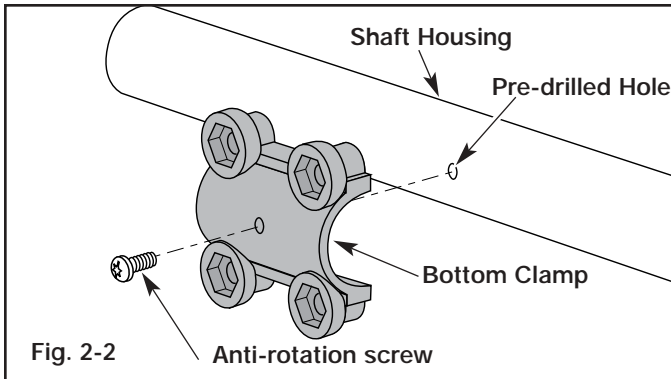
To avoid serious personal injury or damage to the unit, **ALL** of the items in the brush cutter kit **MUST** be installed when operating the unit with the cutting blade.

## REMOVE THE D-HANDLE

Remove the D-handle before assembling the J-handle.

1. Remove the four (4) screws and four (4) hex nuts with a Phillips screwdriver.
2. Remove the D-handle and bottom handle clamp on the boom shaft (Fig. 2-1).





## INSTALLING AND ADJUSTING THE J-HANDLE

### Installing

1. Remove the screws, nuts, clamp pieces that were installed on the J-handle for shipping.
2. Lay the unit on its side. On the bottom of the shaft housing is a pre-drilled hole. With a Flat Blade or Torx T-20 Screwdriver, insert the Anti-Rotation Screw through the hole in the bottom clamp and into the hole in the shaft housing (Fig. 2-2). Tighten securely.
3. Place the J-handle between the top and middle clamp pieces (Fig. 2-3).
4. While holding the three pieces together, install the four (4) screws through the top clamp and into middle clamp.

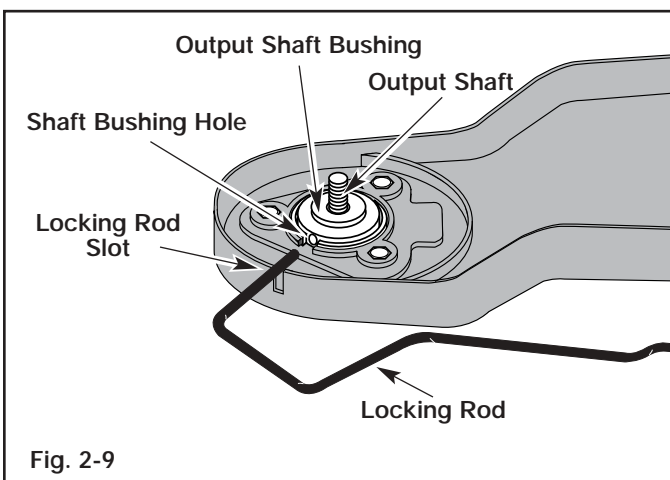
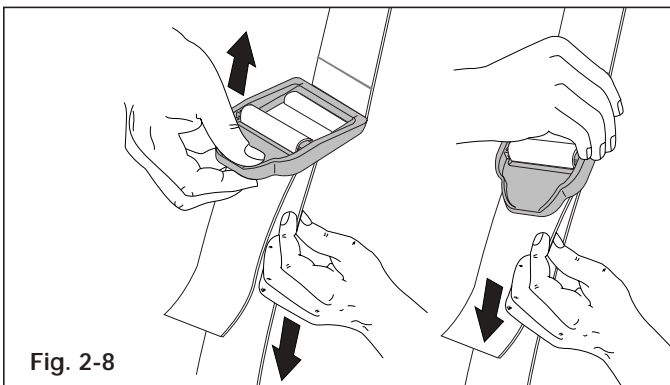
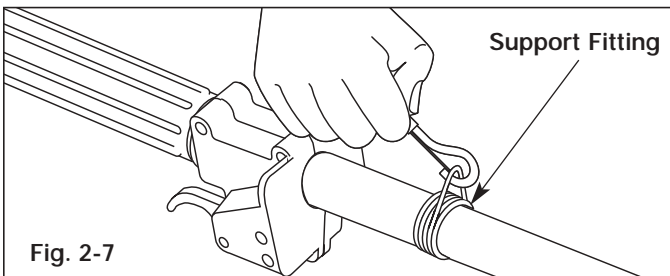
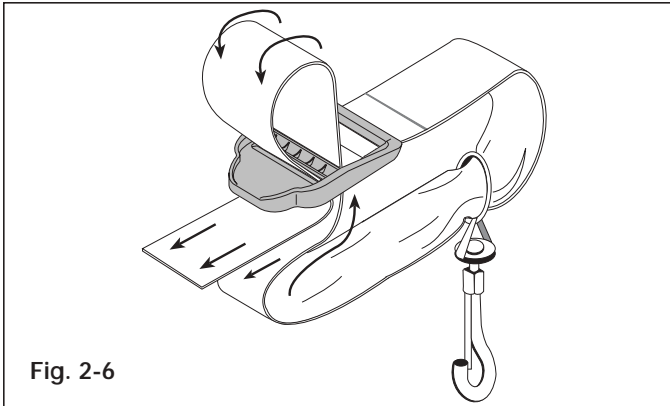
**NOTE:** The holes in the top and middle clamp will line up only when assembled correctly.

5. Place the clamps and J-handle the over the shaft housing and onto the bottom clamp.
6. Hold each hex nut in the bottom clamp recess with a finger. Start screws with a large Phillips screwdriver. Do not tighten until you make the handle adjustment.

### Adjusting

7. Loosen the screws so that the J-handle can be easily moved in the clamp assembly. Do not remove the screws or nuts.
8. Slide the J-handle in or out until the arrow/white line on the decal touches the clamp assembly (Fig. 2-4).
9. While holding the unit in the operating position (Fig. 2-5), position the J-handle to the location that provides you the best grip.
10. Tighten the clamp screws evenly, until the J-handle is secure.

## Assembly (continued)



### INSTALLING THE HARNESS

#### **! WARNING**

Always use the shoulder harness when using the cutting blade to avoid serious personal injury.

1. Push the strap through the center of the buckle.
2. Pull the strap over the cross bar and down through the slot in the buckle (Fig. 2-6).
3. Put the harness on over head and onto shoulder. Snap it on to the support fitting (Fig. 2-7).
4. Adjust length to fit the operator's size. Pull tab to lengthen, pull strap to shorten (Fig 2-8).

### REMOVE THE CUTTING ATTACHMENT

**NOTE:** To make removing or installing the cutting blade or cutting attachment easier, place the unit on the ground or on a work bench.

#### **! WARNING**

The gear housing gets hot with use and can result in injury to the operator. When the unit is turned off it remains hot for a short time. Do not touch the gear housing until it has cooled.

1. Align the shaft bushing hole with the locking rod slot and insert the locking rod into the shaft bushing hole (Fig. 2-9).
2. Hold the locking rod in place by grasping it next to the boom of the unit (Fig. 2-10).
3. While holding the locking rod, remove the cutting attachment by turning it **clockwise** off of the output shaft (Fig. 2-11). Store the cutting attachment for future use.

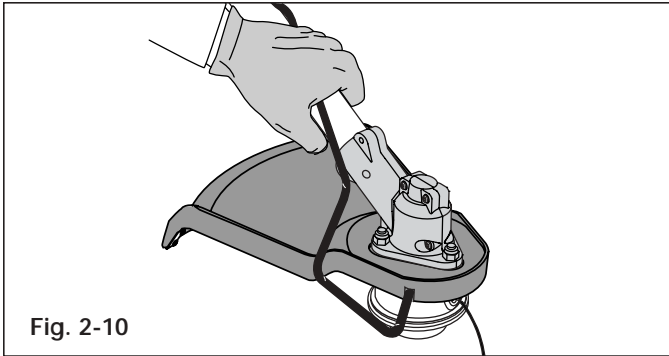
### REMOVE THE OLD CUTTING ATTACHMENT SHIELD

#### **! WARNING**

The cutting attachment shield installed on the unit **MUST** be removed and the cutting attachment mount provided with the Blade Kit installed when operating the unit as a brushcutter.

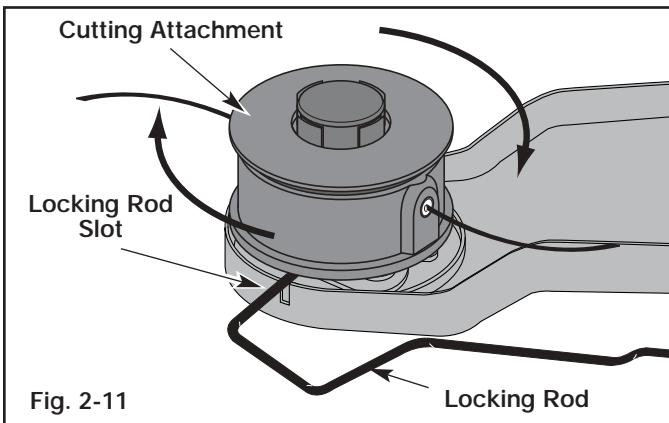
Remove the cutting attachment shield from the gear housing by the removing the three (3) bolts and nuts with a 7/16 wrench (Fig. 2-12). Keep the hardware to use while installing the new cutting attachment shield mount.





## INSTALL THE NEW CUTTING ATTACHMENT SHIELD MOUNT

Install the cutting attachment shield mount on the gear housing by installing the three (3) bolts and nuts removed from the old cutting attachment shield with a 7/16 wrench (Fig. 2-13). Nuts must be positioned on top for correct assembly.

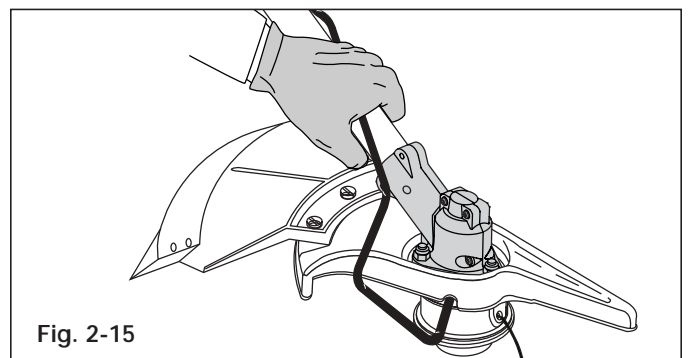
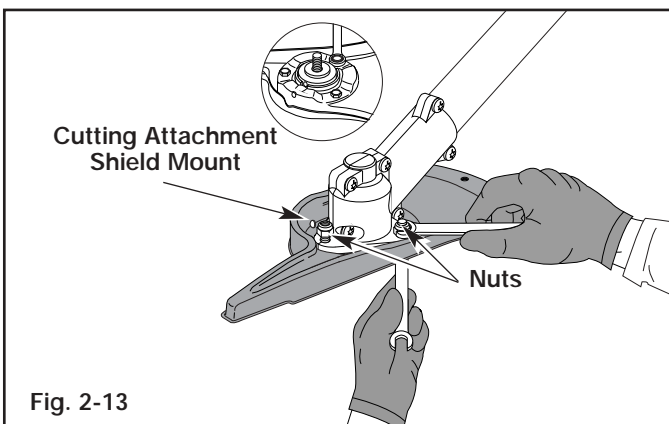
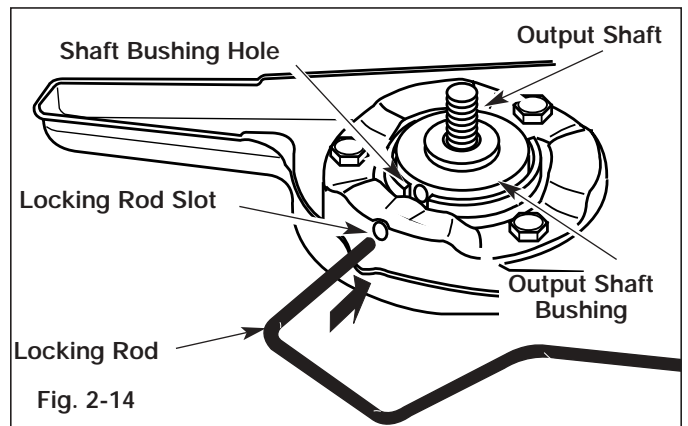
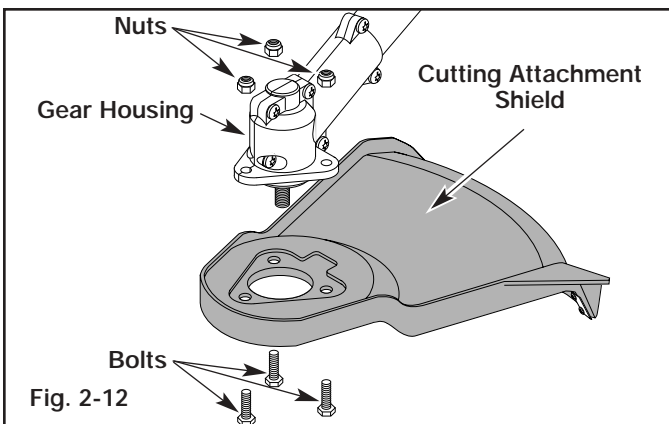


## INSTALLING THE CUTTING BLADE

### **⚠ WARNING**

To avoid serious personal injury, always wear gloves while handling or installing the blade.

1. Align the shaft bushing hole with the locking rod slot and insert the locking rod into the bushing hole (Fig. 2-14).
2. Hold the locking rod in place by grasping it next to the boom of the unit (Fig. 2-15).



## Assembly (continued)

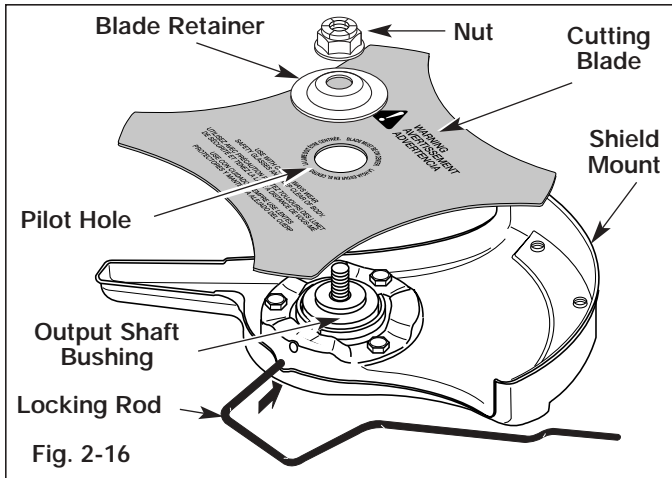


Fig. 2-16

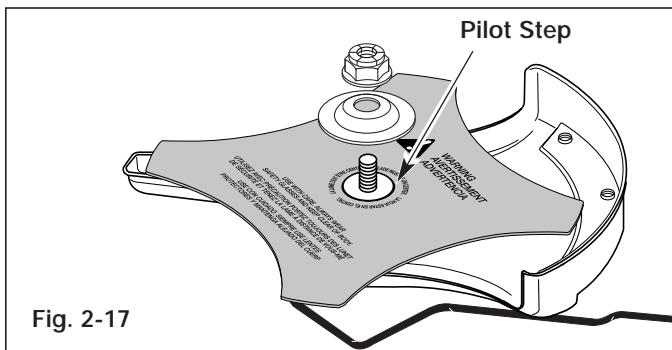


Fig. 2-17

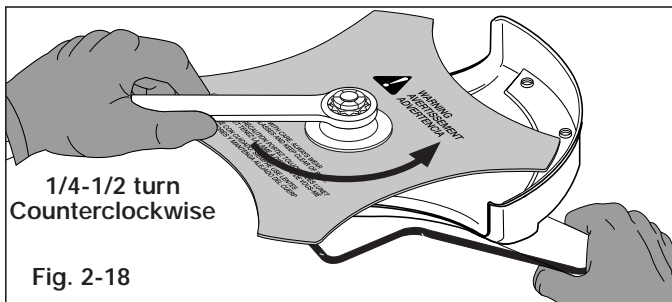


Fig. 2-18

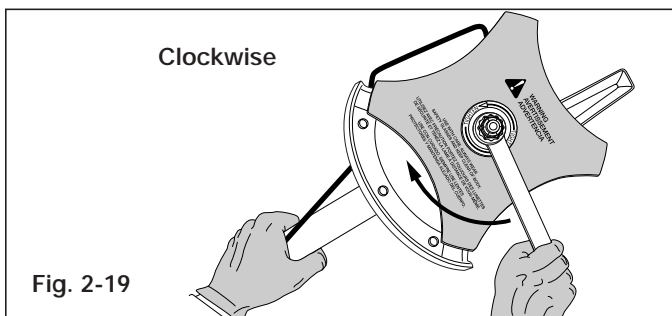


Fig. 2-19

- Place the cutting blade on the output shaft bushing (Fig. 2-16).
- Make sure that the cutting blade is centered on the pilot step and sitting flat against the output shaft bushing (Fig. 2-17).

### **! WARNING**

If the cutting blade is off-center, the unit will vibrate, and the blade may fly off, which can cause serious personal injury.

- Put the blade retainer and nut on the output shaft. Make sure that the blade is installed correctly.
- Tighten nut counterclockwise against the blade while holding the locking rod;
  - If using a torque wrench and an 5/8 inch socket tighten to;
    - 325 - 335 in•lb,
    - 27 - 28 ft•lb,
    - 37 -38 N•m.
  - Without a torque wrench, use a 5/8 inch closed-end or socket wrench, turning the nut until the blade retainer is snug against the shaft bushing. Make sure that the blade is installed correctly, then rotate the nut an additional 1/4 to 1/2 turn counterclockwise (Fig. 2-18).
- Remove the locking rod from the locking rod slot.

### **! WARNING**

To avoid serious personal injury or damage to the unit, do not start or operate this unit with the locking rod in the locking rod slot.

### **! WARNING**

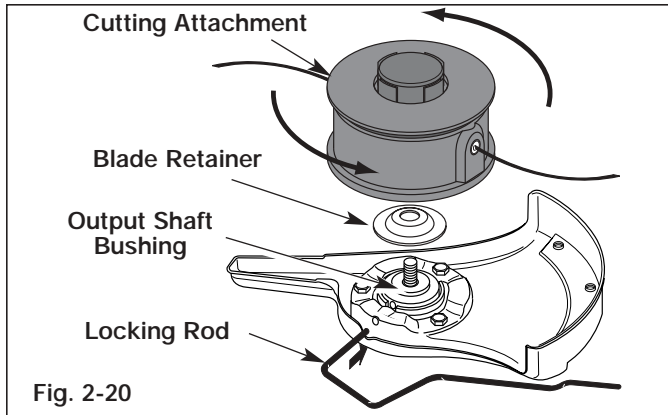
Do not sharpen the cutting blade. Sharpening the blade can cause the blade tip to break off while in use. This can result in severe personal injury. Replace the blade.

### REMOVE THE CUTTING BLADE AND INSTALL THE CUTTING ATTACHMENT

Remove the Cutting Blade

### **! WARNING**

To avoid serious personal injury, always wear gloves while handling or installing the blade.



1. Align the shaft bushing hole with the locking rod slot and insert the locking rod into the bushing hole (Fig. 2-14, Pg. 9).
2. Hold the locking rod in place by grasping it next to the boom of the unit (Fig. 2-15, Pg. 9).
3. While holding the locking rod, loosen the nut on the blade by turning it clockwise with a 5/8 inch closed-end or socket wrench (Fig. 2-19).
4. Remove the nut, blade retainer, and blade. Store the nut and blade together for future use in a secure place. Store out of reach of children.

### Install the Cutting Attachment

5. Align the shaft bushing hole with the locking rod slot and insert the locking rod into the shaft bushing hole. (Fig. 2-14, Pg. 9). Place the blade retainer on the output shaft with the flat surface against the output shaft bushing as shown in Fig. 2-20. Screw the cutting attachment counterclockwise onto the output shaft. Tighten securely.

**NOTE:** The blade retainer must be installed on the output shaft in the position shown for the cutting attachment to work correctly.

6. Remove the locking rod.
7. Install the cutting attachment shield. See **Section 3, Assembly**, Remove and Install Cutting Attachment Shield.

## **! WARNING**

To avoid serious personal injury, the cutting attachment shield **SHALL** be in place at all times while operating the unit as a grass trimmer.

## REMOVING AND INSTALLING CUTTING ATTACHMENT SHIELD

Remove the cutting attachment shield when using the unit as a brush cutter.

## **! WARNING**

The cutting attachment shield should **NOT** be installed when operating the unit with a blade. Remove the cutting attachment shield before removing or installing the blade.

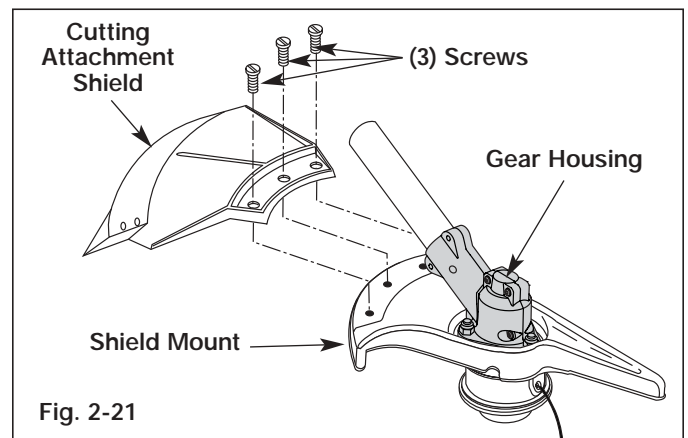
Remove the cutting attachment shield from the shield mount by removing the three (3) screws with a flat blade screwdriver (Fig. 2-21). Store parts for future use.

Install the cutting attachment shield when using the unit as a grass trimmer.

## **! WARNING**

To avoid serious personal injury, the cutting attachment shield **SHALL** be in place at all times while operating the unit as a grass trimmer.

Install the cutting attachment shield on the shield mount by inserting the three (3) screws into the shield mount. Tighten securely with a flat blade screwdriver (Fig. 2-21).



# OPERATION

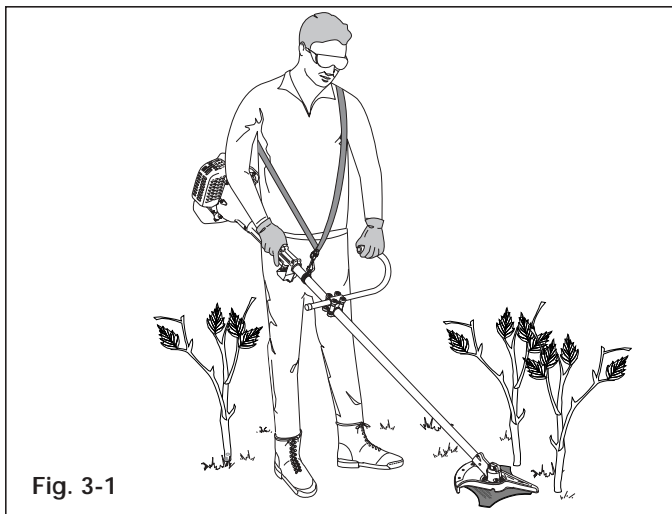


Fig. 3-1

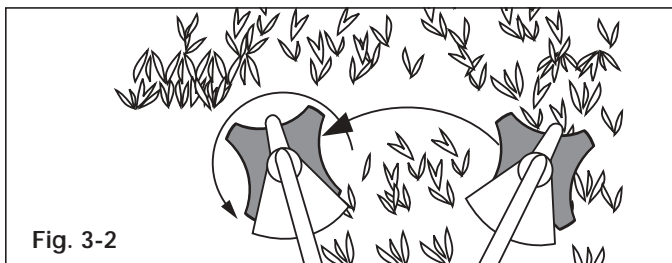


Fig. 3-2

### HOLDING THE UNIT

#### **! WARNING**

Always wear eye, hearing, foot and body protection to reduce the risk of injury when operating this unit.

Before operating the unit, stand in the operating position (Fig. 3-1). Check for the following:

- The operator is wearing eye protection and proper clothing.
- The right arm is slightly bent, and the hand is holding the shaft grip.
- The left arm is straight, and the hand is holding the J-handle.
- The unit is at waist level.
- The cutting attachment is parallel to the ground and easily contacts the vegetation to be cut without the operator having to bend over.

### USING THE CUTTING BLADE

#### **! WARNING**

Always wear eye, hearing, foot, body protection and the harness to reduce the risk of injury when operating this unit.

#### **! WARNING**

Do not use the cutting blade for edging or as an edger, severe personal injury to yourself or others can occur.

Before operating the unit with the cutting blade stand in the operating position (Figs. 5-4). Refer to Holding the Unit.

#### Cutting Blade Operating Tips:

To establish a rhythmic cutting procedure:

- Plant feet firmly, comfortably apart.
- Bring the engine to full throttle before entering the material to be cut. The blade has maximum cutting power at full throttle and is less likely to bind, stall, or cause blade thrust, which can result in serious personal injury to the operator or others.

#### **! WARNING**

Blade thrust may occur when the spinning blade contacts an object that it does not immediately cut. Blade thrust can be violent enough to cause the unit and/or operator to be propelled in any direction, and possibly lose control of the unit. Blade thrust can occur without warning if the blade snags, stalls or binds. This is more likely to occur in areas where it is difficult to see the material being cut.

- Cut while swinging the upper part of your body from right to left.
- Always release the throttle trigger and allow the engine to return to idle speed when not cutting.
- When done always unsnap unit from harness before taking harness off.

### **WARNING**

The blade continues to spin after the engine is turned off. The coasting blade can seriously cut you if accidentally touched.

---

- Swing the unit in the same direction as the blade spins, which increases the cutting action.
- Move forward to the next area to be cut after the return swing and plant feet again.
- The cutting blade is designed with a second cutting edge, which can be used by removing the blade, turning it upside down, and reinstalling it.

### **WARNING**

Do not sharpen the cutting blade. Sharpening the blade can cause the blade tip to break off while in use. This can result in severe personal injury to yourself or others. Replace the blade.

---

To reduce the chance of material wrapping around the blade, follow these steps:

- Cut at full throttle.
- Swing the unit into material to be cut from your right to your left (Fig. 3-2).
- Avoid the material just cut as you make the return swing.

### **WARNING**

Do not clear away cut material with the engine running or blade turning. To avoid serious personal injury, turn off engine. Allow the blade to stop before removing materials wrapped around the blade shaft.

---

## MANUFACTURER'S LIMITED WARRANTY FOR:



The limited warranty set forth below is given by MTD SOUTHWEST INC ("MTD") with respect with new merchandise purchased and used in the United States, its possessions and territories.

MTD warrants this product against defects in material and workmanship for a period of two (2) years commencing on the date of original purchase and will, at its option, repair or replace, free of charge, any part found to be defective in material or workmanship. This limited warranty shall only apply if this product has been operated and maintained in accordance with the Operator's Manual furnished with the product, and has not been subject to misuse, abuse, commercial use, neglect, accident, improper maintenance, alteration, vandalism, theft, fire, water or damage because of other peril or natural disaster. Damage resulting from the installation or use of any accessory or attachment not approved by MTD for use with the product(s) covered by this manual will void your warranty as to any resulting damage. This warranty is limited to ninety (90) days from the date of original retail purchase for any MTD product that is used for rental or commercial purposes, or any other income-producing purpose.

**HOW TO OBTAIN SERVICE:** Warranty service is available, WITH PROOF OF PURCHASE THROUGH YOUR LOCAL AUTHORIZED SERVICE DEALER. To locate the dealer in your area, please check for a listing in the Yellow Pages or contact the Customer Service Department of MTD SOUTHWEST INC by calling 1-800-345-8746 or writing to 550 N. 54th Street, Chandler, Arizona 85226 or if in Canada call 1-800-668-1238. No product returned directly to the factory will be accepted unless prior written permission has been extended by the Customer Service Department of MTD SOUTHWEST INC.

**This limited warranty does not provide coverage in the following cases:**

- A. Wear items - Bump Knobs, Outer Spools, Cutting Line, Inner Reels, Starter Pulley, Starter Ropes, Drive Belts
- C. MTD does not extend any warranty for products sold or exported outside of the United States of America, its possessions and territories, except those sold through MTD's authorized channels of export distribution.

MTD reserves the right to change or improve the design of any TROY-BILT Product without assuming any obligation to modify any product previously manufactured.

**No implied warranty, including any implied warranty of merchantability or fitness for a particular purpose, applies after the applicable period of express written warranty above as to the parts as identified. No other express warranty or guaranty, whether written or oral, except as mentioned above, given by any person or entity, including a dealer or retailer, with respect to any product shall bind MTD. During the period of the Warranty, the exclusive remedy is repair or replacement of the product as set forth above.** (Some states do not allow limitations on how long an implied warranty lasts, so the above limitation may not apply to you.)

**The provisions as set forth in this Warranty provide the sole and exclusive remedy arising from the sales. MTD shall not be liable for incidental or consequential loss or damages including, without limitation, expenses incurred for substitute or replacement lawn care services, for transportation or for related expenses, or for rental expenses to temporarily replace a warranted product.** (Some states do not allow limitations on how long an implied warranty lasts, so the above limitation may not apply to you.)

In no event shall recovery of any kind be greater than the amount of the purchase price of the product sold. Alteration of the safety features of the product shall void this Warranty. You assume the risk and liability for loss, damage, or injury to you and your property and/or to others and their property arising out of the use or misuse or inability to use the product.

This limited warranty shall not extend to anyone other than the original purchaser, original lessee or the person for whom it was purchased as a gift.

**How State Law Relates to this Warranty:** This warranty gives you specific legal rights, and you may also have other rights which vary from state to state.

To locate your nearest service dealer dial 1-800-345-8746 in the United States or 1-800-668-1238 in Canada.

**MTD Southwest Inc**  
550 N. 54th Street  
Chandler, AZ 85226 U.S.A.



# Manuel de l'utilisateur

---

## Désherbeuse à 2-temps

- Sécurité
- Assemblage
- Fonctionnement
- Entretien

### Modèles

---

TB3000 – 25 cc, arbre droit

# Introduction

## TOUS NOS REMERCIEMENTS

Nous vous remercions d'avoir acheté ce produit de qualité. Cet outil mécanique de plein air moderne est conçu pour vous rendre service pendant longtemps. Il vous sauvera beaucoup de temps comme vous pourrez vous en rendre compte. Ce manuel de l'utilisateur comporte un mode d'emploi facile à comprendre. Prenez soin de lire le manuel au complet et suivez toutes ses instructions à la lettre afin de conserver votre nouvel outil mécanique de plein air en excellent état de fonctionnement. Le manuel des pièces de rechange, qui accompagne aussi votre outil, contient toutes les informations nécessaires pour commander des pièces.

## RÉFÉRENCES, ILLUSTRATIONS ET SPÉCIFICATIONS RELATIVES AU PRODUIT

Toutes les informations, illustrations et spécifications contenues dans ce manuel tiennent compte des dernières informations techniques disponibles au moment de mettre sous presse. Nous nous réservons le droit d'y apporter des modifications à tout moment, sans préavis.

Copyright © 2000 MTD Southwest Inc  
Tous droits réservés.

## Table Des Matières

---

<b>Introduction</b> .....	<b>2</b>	<b>Section 6 : Entretien</b> .....	<b>13-18</b>
<b>Table des matières</b> .....	<b>2</b>	Programme d'entretien.....	13
<b>Contenu de l'emballage</b> .....	<b>2</b>	Installation du fil.....	14-15
<b>Informations relatives à l'entretien</b> .....	<b>3</b>	Installer un moulinet prérembobiné.....	15
<b>Numéros d'identification</b> .....	<b>3</b>	Entretien du filtre à air.....	16
<b>Section 1 : Sécurité</b> .....	<b>4-7</b>	Réglage du carburateur.....	16-17
Importantes consignes de sécurité.....	4-5	Remplacement de la bougie.....	17
Symboles de sécurité et internationaux.....	6-7	Accessoires/pièces de rechange.....	18
<b>Section 2 : Familiarisez-vous avec l'appareil</b> .....	<b>8</b>	Nettoyage.....	18
<b>Section 3 : Assemblage</b> .....	<b>9</b>	Entreposage.....	18
Installer et régler la poignée en D.....	9	Entreposage de longue durée.....	18
<b>Section 4 : Huile et carburant</b> .....	<b>10</b>	<b>Section 7 : Dépannage</b> .....	<b>19</b>
Instructions de mélange d'huile et de carburant.....	13	<b>Section 8 : Caractéristiques</b> .....	<b>20</b>
<b>Section 5 : Fonctionnement</b> .....	<b>11-13</b>	<b>Section 9 : Garantie</b> .....	<b>22</b>
Instructions de démarrage.....	11		
Instructions d'arrêt.....	11		
Tenue de la désherbeuse.....	12		
Réglage de la longueur du fil.....	12		
Conseils pour bien désherber.....	12		
Coupe décorative.....	13		

## Contenu de L'emballagen

---

- Désherbeuse modèle TB3000 avec grand accessoire de coupe de Bump Head et protecteur d'accessoire de coupe
- Δ Poignée en D et visserie
- Manuel du propriétaire/de l'utilisateur
- Carte d'enregistrement du produit
- Bouteille d'huile 2-temps
- Δ Cet élément est installé soit sur l'appareil soit sur l'ensemble de visserie.



## INFORMATIONS D'ENTRETIEN

Tout entretien effectué sur cet appareil pendant et après la période de garantie doit être fait par un concessionnaire agréé uniquement:

- Obtenez la liste des concessionnaires agréés aux États-Unis au 1-800-345-8746

Ou

- Appelez le 1-800-668-1238 au Canada pour obtenir la liste des concessionnaires les plus proches de vous.

**NE RETOURNEZ PAS L'APPAREIL AU DÉTAILLANT CHEZ QUI VOUS L'AVEZ ACHETÉ.**

**NOTE : TOUT SERVICE SOUS GARANTIE NÉCESSITE UNE PREUVE D'ACHAT.**

Prenez soin de lire et de bien comprendre ce manuel avant de démarrer ou de faire fonctionner cet équipement.

CE PRODUIT EST COUVERT PAR UN OU PLUSIEURS BREVETS AMÉRICAINS, ET D'AUTRES SONT EN INSTANCE



**AVERTISSEMENT** : le tuyau d'échappement du moteur, certains de ses éléments et certains des composants du véhicule contiennent ou émettent des produits chimiques considérés par l'État de Californie comme pouvant causer le cancer, des malformations congénitales ou d'autres effets nocifs sur l'appareil de reproduction.

## INFORMATIONS SUR LE PARE-ÉTINCELLES

**NOTE** : à l'intention des utilisateurs opérant dans les terres forestières des États-Unis et dans les états de Californie, du Maine, de l'Orégon et de Washington. Toutes les terres forestières des États-Unis et de l'état de Californie (Codes sur les ressources publiques 4442 et 4443), de l'Orégon et de Washington exigent de par la loi que certains moteurs à combustion interne utilisés dans des zones couvertes de taillis ou d'herbe soient équipés d'un pare-étincelles en parfait état de fonctionnement, ou qu'ils soient conçus, équipés et entretenus pour la prévention des incendies. Prenez tous les renseignements nécessaires auprès des autorités de votre province ou de votre municipalité concernant la réglementation en vigueur. Vous pourriez être passible d'une amende ou être tenu responsable si vous ne respectez pas cette réglementation. **Cet appareil est équipé d'un pare-étincelles en usine.** S'il doit être remplacé, faites installer par votre concessionnaire LOCAL l'accessoire no. 181696 - kit du pare-étincelles.

## Numéros d'identification

**Avant d'assembler votre nouvel équipement**, repérez la plaque signalétique de l'appareil et copiez ses informations dans l'espace fourni à cet effet ci-dessous. Les informations de la plaque signalétique sont essentielles si vous désirez obtenir de l'aide auprès de notre service technique ou d'un distributeur agréé.

- Le numéro de modèle se trouve sur le corps de l'arbre de l'appareil, à côté de l'interrupteur de Marche/Arrêt Stop. Un exemple de plaque signalétique est présenté ci-dessous. Veuillez copier le numéro de modèle et le numéro de série de l'équipement dans l'espace ci-dessous afin de pouvoir vous référer ultérieurement.

Numéro de série

Numéro de modèle / pièce mère

Copiez le numéro  
de modèle / pièce ici : \_\_\_\_\_

Copiez le numéro de  
modèle / pièce mère ici : \_\_\_\_\_

# Sécurité

Les symboles de sécurité attirent votre attention sur des dangers potentiels. Ces symboles et leurs détails explicatifs méritent que vous les lisiez et compreniez bien. Les avertissements de sécurité ne peuvent éviter les dangers de par eux-mêmes. Les consignes ou mises en garde qu'ils donnent ne remplacent pas des mesures préventives appropriées contre les accidents.

### SYMBOLE SIGNIFICATION



**SYMBOLE ALERTE DE SÉCURITÉ** : indique un danger, un avertissement ou une mise en garde. Soyez vigilant afin d'éviter toute blessure grave. Ce symbole peut être combiné à d'autres symboles ou pictogrammes.

**NOTE:** *donne des informations ou des instructions vitales pour le fonctionnement ou l'entretien de l'équipement.*



### DANGER

**Le non-respect d'un avertissement peut causer des dommages matériels ou blessures graves pour tous. Respectez les consignes de sécurité afin de réduire les risques d'incendie, d'électrocution et de blessures.**



### AVERTISSEMENT

**Le non-respect d'un avertissement peut causer des dommages matériels ou blessures graves pour tous. Respectez les consignes de sécurité afin de réduire les risques d'incendie, d'électrocution et de blessures.**



### MISE EN GARDE

**Le non-respect d'un avertissement peut causer des dommages matériels ou blessures graves pour tous. Respectez toujours les consignes de sécurité afin de réduire les risques d'incendie, d'électrocution et de blessures.**

## • IMPORTANTES CONSIGNES DE SÉCURITÉ •

### LIRE TOUTES LES INSTRUCTIONS

#### AVANT UTILISATION

- Veuillez lire les instructions avec soin. Familiarisez-vous avec les commandes et l'utilisation correcte de cet appareil.
- N'utilisez pas l'appareil si vous êtes fatigué, malade ou sous l'effet de l'alcool, de drogues ou de médicaments.
- Les enfants et adolescents de moins de 15 ans ne doivent pas utiliser l'appareil exceptés les adolescents assistés d'un adulte.
- Inspectez l'appareil avant utilisation. Remplacez les pièces endommagées. Regardez s'il y a des fuites de carburant. Assurez-vous que les fixations sont solidement en place. Remplacez les pièces de l'accessoire de coupe qui sont fendillées, ébréchées ou endommagées. Assurez-vous que l'accessoire de coupe est correctement installé et solidement fixé. Assurez-vous que le protecteur d'accessoire de coupe est correctement fixé et positionné comme recommandé. Vous risquez sinon de causer des blessures à l'opérateur et aux spectateurs, et d'endommager l'appareil.
- Utilisez uniquement du fil de remplacement d'origine de 2,41 mm (0,095 po) de diamètre. N'utilisez jamais de fil, de chaîne ou de cordon à renfort métallique car ils peuvent se briser et se transformer en projectile dangereux.
- Soyez conscient des risques de blessure à la tête, aux mains et aux pieds.

- Dégagez la zone de coupe avant chaque usage. Enlevez tous les objets pouvant être projetés ou happés par l'accessoire de coupe : cailloux, verre brisé, clous, fil ou ficelle. Éloignez enfants, spectateurs et animaux de la zone de coupe. Tenez-les à au moins 15 m (50 pi) de là mais sachez que les spectateurs risquent quand même d'être atteints par des objets projetés. Les spectateurs doivent porter des protections oculaires. Arrêtez immédiatement le moteur et l'accessoire de coupe si quelqu'un s'approche de vous.
- Appuyez sur la manette des gaz et assurez-vous qu'elle revient automatiquement en position de ralenti. Procédez à tous les réglages ou réparations avant d'utiliser l'appareil.
- N'attachez et n'utilisez cet appareil avec aucun type de lame ou d'accessoire de débroussaillage. Vous pouvez vous procurer un kit d'accessoire de débroussaillage auprès du fabricant. Voir la **Section 6, Entretien**, pour le numéro de référence de l'accessoire. Utilisez uniquement le kit d'accessoire du fabricant.

### AVERTISSEMENTS DE SÉCURITÉ CONCERNANT LES DÉSHERBEUSES À GAZ

**AVERTISSEMENT:** l'essence est extrêmement inflammable et ses vapeurs peuvent exploser si on y met le feu. Veuillez prendre les précautions suivantes :

- Ne stockez le carburant que dans des contenants spécialement conçus et homologués pour le stockage de ce type de matières.

- Arrêtez toujours le moteur et laissez-le refroidir avant de remplir le réservoir de carburant. N'enlevez jamais le bouchon du réservoir et n'ajoutez jamais de carburant pendant que le moteur est chaud. Ne faites jamais fonctionner l'appareil sans que le bouchon de carburant soit bien mis. Desserrez lentement le bouchon afin de réduire la pression du réservoir.
- Évitez de créer une source d'allumage pour le carburant déversé. Ne démarrez pas le moteur avant que les vapeurs de carburant ne se soient dissipées.
- Ajustez la poignée selon votre taille pour mieux l'agripper.
- Mélangez et ajoutez le carburant dans un endroit bien aéré et propre en plein air à l'abri des étincelles ou des flammes. N'enlevez lentement le bouchon du réservoir d'essence qu'après avoir arrêté le moteur. Ne fumez pas pendant le remplissage ou le mélange de carburant. Essuyez immédiatement tout déversement de carburant de l'appareil.
- Éloignez l'appareil d'au moins 3 m (10 pi) de la source de ravitaillement en carburant avant de démarrer le moteur. Ne fumez pas et éloignez toute source d'étincelles ou de flammes vives du lieu de ravitaillement ou de fonctionnement de l'appareil.

### PENDANT L'UTILISATION DE L'APPAREIL

- Évitez de démarrer ou de faire marcher l'appareil à l'intérieur d'une pièce ou d'un bâtiment fermé. La respiration de fumées d'échappement peut tuer. Ne faites fonctionner cet appareil qu'à l'extérieur dans un endroit bien aéré.
- Portez des lunettes de sécurité conformes aux normes ANSI Z87.1 ainsi que des protège-oreilles durant l'utilisation de l'appareil. Portez un masque facial ou antipoussières si vous travaillez dans un lieu poussiéreux.
- Portez des pantalons épais et longs, des bottes, des gants et une chemise à manches longues. Ne marchez pas pieds nus et évitez les vêtements lâches, bijoux, pantalons courts et sandales. Relevez les cheveux au-dessus des épaules.
- Le protecteur d'accessoire de coupe doit toujours être en place lors de l'utilisation de l'appareil. Ne faites pas marcher l'appareil sans que les deux fils soient bien déployés, en supposant qu'un fil approprié a été installé. Assurez-vous que le fil ne dépasse pas le protecteur de sécurité.
- Cet appareil est muni d'un embrayage. L'accessoire de coupe reste stationnaire lorsque le moteur est au ralenti. Si ce n'est pas le cas, faites régler l'appareil par un technicien agréé.
- Ajustez la poignée en D selon votre taille pour mieux l'agripper.
- \* Avant de démarrer l'appareil, assurez-vous que l'accessoire de coupe ne touche aucun objet.
- N'utilisez l'appareil qu'en plein jour ou avec un bon éclairage artificiel.
- Évitez tout démarrage accidentel. Mettez-vous en position de démarrage chaque fois que vous tirez sur la corde de démarrage. L'opérateur et l'appareil doivent tous deux être en position stable à ce moment-là. Voir Section 5, Fonctionnement.
- Ne vous étirez pas. Tenez-vous toujours bien sur vos pieds en position d'équilibre.
- Tenez toujours l'appareil des deux mains lorsque vous le faites marcher. Agrippez fermement les poignées avant et arrière.
- Gardez les mains, le visage et les pieds éloignés des pièces mobiles. Ne touchez pas et n'essayez pas d'arrêter l'accessoire de coupe en rotation.
- Ne touchez pas le moteur, le boîtier d'engrenages ni le silencieux. Ces pièces deviennent très chaudes à l'utilisation. Elles restent chaudes brièvement après l'arrêt.
- Servez-vous des outils appropriés. N'utilisez cet outil que pour son usage prévu.
- Ne faites pas fonctionner le moteur à un régime plus élevé que nécessaire pour couper, tailler ou faire les bordures. Ne faites pas tourner le moteur à haut régime si vous ne vous faites pas de coupe.
- Arrêtez toujours le moteur lorsque vous suspendez la coupe ou lorsque vous vous déplacez d'un lieu de travail vers un autre.
- Si vous heurtez un corps étranger ou que celui-ci est happé, arrêtez le moteur immédiatement et vérifiez que rien n'a été endommagé. Ne faites pas fonctionner avant réparation des dommages. Ne faites pas marcher l'appareil si les pièces sont desserrées ou endommagées.
- Arrêtez et éteignez le moteur dans les cas suivants: entretien, réparation ou changement d'accessoires ou autres.
- Utilisez uniquement des pièces de rechange et accessoires d'origine pour cet appareil. Vous les trouverez chez votre distributeur agréé. L'utilisation de pièces ou accessoires non autorisés par le fabricant peut causer des blessures graves, endommager l'appareil et annuler sa garantie.
- Gardez l'appareil exempt d'accumulation de végétation ou autres matières. Celles-ci peuvent rester logées entre l'accessoire de coupe et le protecteur.
- Afin de diminuer les risques d'incendie, remplacez tout silencieux ou pare-étincelles défectueux et conservez le moteur et le silencieux exempts d'herbe, de feuilles et d'accumulation excessive de graisse ou de carbone.

### AUTRES AVERTISSEMENTS DE SÉCURITÉ

- N'entrez jamais l'appareil rempli de carburant dans un édifice où les vapeurs peuvent atteindre une source de flammes vives ou d'étincelles.
- Laissez le moteur se refroidir avant de l'entreposer ou de le transporter. Attachez bien l'appareil pendant le transport.
- Rangez l'appareil dans un endroit verrouillé et sec, ou élevé et sec, hors de portée des enfants, pour éviter une utilisation indésirable ou un accident.
- Ne trempez et n'arrosez jamais l'appareil avec de l'eau ou tout autre liquide. Gardez les poignées sèches, propres et exemptes de débris. Nettoyez après chaque usage. Voir les sections Nettoyage et Entreposage.
- Conservez ces instructions. Consultez-les souvent et servez-vous en pour instruire d'autres usagers. Si vous prêtez l'appareil à quelqu'un, prêtez-lui également ces instructions.

### CONSERVEZ CES INSTRUCTIONS

# Sécurité (suite)

---

## SYMBOLES DE SÉCURITÉ ET INTERNATIONAUX

Ce manuel de l'utilisateur décrit les symboles et pictogrammes de sécurité et internationaux pouvant apparaître sur ce produit. Consultez le manuel de l'utilisateur pour les informations concernant la sécurité, le montage, le fonctionnement, l'entretien et les réparations.

### SYMBOLE

### SIGNIFICATION

#### • SYMBOLE ALERTE DE SÉCURITÉ

Indique un danger, un avertissement ou une mise en garde. Ce symbole peut être combiné à d'autres symboles ou pictogrammes.

#### • AVERTISSEMENT - LISEZ LE MANUEL DE L'UTILISATEUR

Lisez le manuel de l'utilisateur et suivez tous les avertissements et consignes de sécurité. Vous pourriez à défaut entraîner des blessures graves pour vous ou d'autres personnes.

#### • POUR LES QUESTIONS D'ENTRETIEN :

ÉTATS-UNIS: 1-800-345-8746

CANADA: 1-800-668-1238

#### • PORTEZ DES PROTECTIONS (YEUX ET OREILLES)

**AVERTISSEMENT:** les objets projetés et les bruits forts peuvent endommager la vue et l'ouïe. Portez une visière de norme ANSI Z87.1 et des protège-oreilles pendant l'utilisation.

#### • ÉLOIGNEZ LES SPECTATEURS

**AVERTISSEMENT:** éloignez tout spectateur, les enfants et les animaux domestiques en particulier, d'au moins 15 m (50 pi) de la zone de coupe.

#### • POIRE D'AMORÇAGE

Enfoncez la poire d'amorçage complètement et lentement de 5 à 7 fois.

#### • CARBURANT SANS PLOMB

Utilisez toujours du carburant sans plomb frais et propre.

#### • NIVEAU D'HUILE

Voir le manuel de l'utilisateur pour le type d'huile approprié.

#### • LES OBJETS PROJETÉS ET LA TÊTE ROTATIVE PEUVENT CAUSER DES BLESSURES GRAVES

**AVERTISSEMENT:** ne faites pas fonctionner sans protecteur de sécurité en plastique. Tenez-vous à l'écart de l'accessoire de coupe rotatif.

#### • COMMANDE MARCHÉ/ARRÊT STOP

ALLUMAGE / DÉMARRAGE / MARCHÉ

#### • COMMANDE MARCHÉ/ARRÊT STOP

ARRÊT OU STOP

#### • AVERTISSEMENT SURFACE CHAUDE

Ne touchez pas le silencieux, le boîtier d'engrenages ou le cylindre s'ils sont chauds. Vous pourriez vous brûler. Ces pièces deviennent très chaudes à l'utilisation. Elles restent chaudes brièvement après l'arrêt.

### SYMBOLE

### SIGNIFICATION

- LAME AIGUISÉE

**AVERTISSEMENT:** le protecteur d'accessoire de coupe comporte une lame aiguisée. Ne touchez pas la lame pour éviter des blessures graves.

- LEVIER D'ÉTRANGLEUR

A • Position de DÉMARRAGE.

B • Position MARCHÉ.

**AVERTISSEMENT :** l'utilisation d'outils électriques peut provoquer la projection d'objets vers les yeux, ce qui peut les blesser gravement. Mettez toujours des lunettes de sécurité conformes aux normes ANSI Z87.1, ainsi qu'un masque intégral au besoin, avant l'utilisation d'un outil électrique.

**CE QUI SUIT SERVIRA DE RÉFÉRENCE UNE FOIS L'APPAREIL ASSEMBLÉ AVEC LE KIT D'ACCESSOIRE DE DÉBROUSSAILLAGE DU FABRICANT.**



### **AVERTISSEMENT**

N'attachez et n'utilisez cet appareil avec aucun type de lame ou d'accessoire de débroussaillage. Vous pouvez vous procurer un kit d'accessoire de débroussaillage auprès du fabricant. Voir la Section 6, Entretien de l'accessoire. Utilisez uniquement le kit d'accessoire du fabricant. Vous risquez sinon de vous blesser ainsi que les personnes alentour et/ou endommager l'appareil.

- DÉBROUSSAILLEUSES : remplacez la lame émoussée.

N'aigüisez pas la lame de coupe car son extrémité risquerait de casser à l'usage et causer des blessures graves.

- DÉSHERBEUSE/DÉBROUSSAILLEUSE : SÉCURITÉ

**AVERTISSEMENT:** les objets projetés et la tête coupante rotative peuvent causer des blessures graves. Éloignez les spectateurs, les enfants et les animaux domestiques en particulier, d'au moins 15 m (50 pieds) de la zone de coupe. Vous devez utiliser le protecteur d'accessoire de coupe lorsque vous vous servez de l'accessoire de coupe de la désherbeuse.

## Section 2

---

# Familiarisez-vous avec l'appareil

### APPLICATIONS

Comme désherbeuse ;

- Coupe d'herbe et de mauvaises herbes légères.
- Coupe de bordures
- Taille autour des arbres, des clôtures, etc.

Avec le kit d'accessoire de débroussaillage en option;

- Coupe de mauvaises herbes et broussailles légères de 1,3 cm (1/2") de diamètre maximum.

# Assemblage

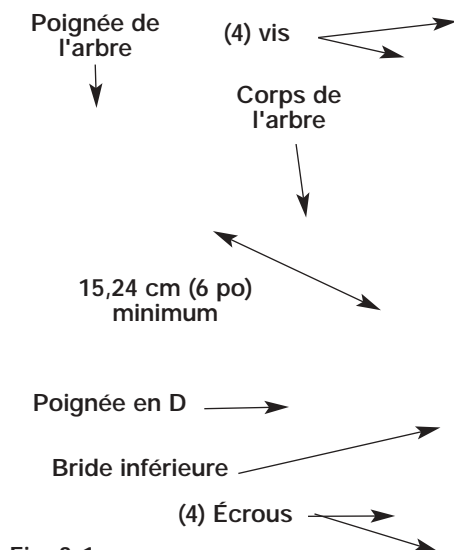


Fig. 3-1

La poignée en D peut être préinstallée sur certains appareils. Dans ce cas, il suffit de desserrer les vis et ajuster la poignée en fonction de l'opérateur. Passez à l'étape 4 pour l'ajustement.

## INSTALLATION ET RÉGLAGE DE LA POIGNÉE EN D

1. Retirez les vis, écrous et la bride inférieure posés sur la poignée en D avant livraison.
2. Placez la poignée en D sur le corps de l'arbre et au-dessus de la bride inférieure (Fig. 3-1). Placez-la à au moins 15,24 cm (6 po) de l'extrémité de la prise de l'arbre.
3. Maintenez d'un doigt chaque écrou hex dans le renfoncement de la bride inférieure. Commencez à visser à l'aide d'un grand tournevis à embout cruciforme. Ne serrez pas avant de régler le guidon.
4. Si elle a déjà été préinstallée, desserrez les quatre vis de fixation de la poignée en D juste assez pour pouvoir la déplacer.
5. Tenez l'appareil en position d'utilisation (Fig. 3-2), puis positionnez la poignée en D de manière à assurer une prise idéale.
6. Serrez les vis de bride uniformément jusqu'à bien fixer la poignée.

Fig. 3-2

# Huile et carburant

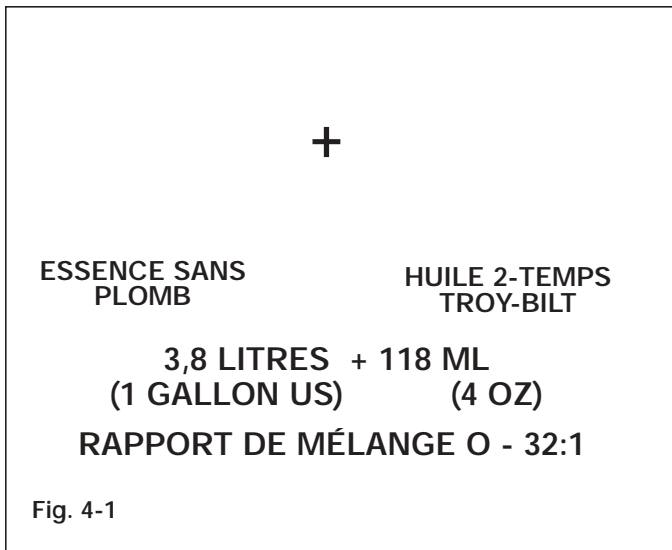


Fig. 4-1

## MÉLANGE D'HUILE ET DE CARBURANT

En général, si l'appareil ne fonctionne pas correctement, c'est que le carburant est vieux ou mal mélangé. Prenez soin d'utiliser de l'essence sans plomb fraîche et propre. Suivez à la lettre les instructions de mélange de carburant et d'huile.

### Définition des carburants mélangés

Les carburants d'aujourd'hui sont souvent un mélange d'essence et d'oxygénés comme l'éthanol, le méthanol ou l'éther MTBE. Un carburant mélangé à l'alcool absorbe l'eau. Il suffit de 1 % d'eau pour séparer le carburant et l'huile. Cela forme de l'acide pendant le stockage. Si vous devez utiliser ce type de carburant, servez-vous de carburant frais (moins de 60 jours).

### Usage de carburants mélangés

Si vous choisissez d'utiliser ou ne pouvez éviter d'utiliser un carburant mélangé, suivez les conseils suivants :

- Utilisez toujours un mélange de carburant frais selon le manuel de l'utilisateur.
- Agitez toujours le mélange de carburant avant d'alimenter l'appareil.
- Videz le réservoir et faites marcher le moteur jusqu'à l'assécher avant d'entreposer l'appareil.

### Utilisation d'additifs de carburant

La bouteille d'huile 2-temps TROY-BILT livrée avec l'appareil contient un additif permettant d'empêcher la corrosion et de minimiser la formation de résidus de gomme. Nous vous recommandons d'utiliser ce type d'huile uniquement.

Si cela n'est pas disponible, utilisez une bonne huile 2-temps conçue pour les moteurs à 2-temps refroidis par air en y ajoutant un additif, tel que le stabilisant de gaz STA-BIND ou un produit équivalent. Ajoutez 23 ml (0,8 oz) d'additif par 4 litres (1 gallon) de carburant selon les instructions du récipient. N'ajoutez JAMAIS d'additifs directement dans le réservoir de l'appareil.

## MISE EN GARDE

Pour assurer un bon fonctionnement et une fiabilité maximale du moteur, suivez à la lettre les instructions de mélange d'huile et de carburant du récipient d'huile 2-temps. L'emploi de carburant mal mélangé peut endommager le moteur sérieusement.

Mélanguez soigneusement l'huile moteur 2-temps avec de l'essence sans plomb dans un bidon séparé. Utilisez un rapport 32:1 d'essence/huile. Ne les mélangez pas directement dans le réservoir de carburant. Voir la Figure 4-1 pour les rapports de mélange d'essence et d'huile.

**NOTE :** 3,8 litres (1 gallon) d'essence sans plomb mélangés avec une bouteille de 118 ml (4 oz) d'HUILE TROY-BILT 2-TEMPS donnent un rapport d'essence/huile de 32:1.

## AVERTISSEMENT

L'essence est extrêmement inflammable et les vapeurs qui s'en dégagent peuvent exploser si on y met le feu. Arrêtez toujours le moteur et laissez-le refroidir avant de remplir le réservoir. Ne fumez pas en remplissant le réservoir. Éloignez toute source d'étincelles ou de flammes vives de la zone.

## AVERTISSEMENT

Enlevez le bouchon du réservoir lentement pour ne pas être blessé par les jets d'essence. Ne faites pas marcher l'appareil sans que le bouchon soit bien mis.

## AVERTISSEMENT

Ajoutez du carburant dans un lieu propre et bien aéré en plein air. Essuyez immédiatement tout déversement de carburant. Évitez de mettre le feu au carburant déversé. Ne démarrez pas le moteur avant dissipation des vapeurs de carburant.

**NOTE :** Éliminez le vieux mélange de carburant conformément aux règlements fédéral, provincial et municipal en vigueur.



# Fonctionnement

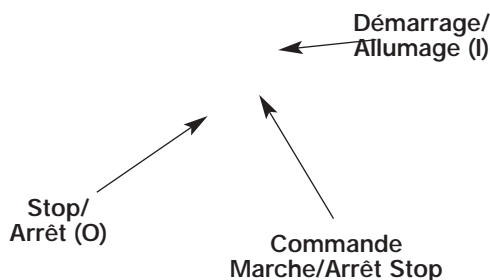


Fig. 5-1

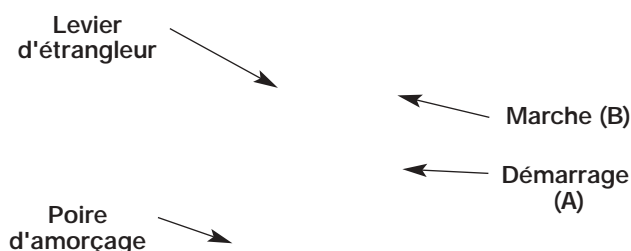


Fig. 5-2

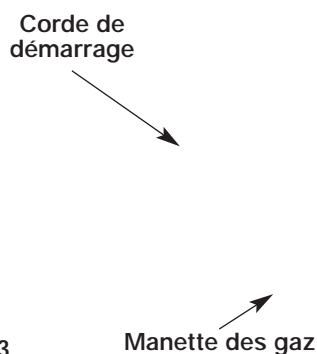


Fig. 5-3

## INSTRUCTIONS DE DÉMARRAGE

### AVERTISSEMENT

Faites uniquement marcher l'appareil dans un lieu extérieur bien aéré. Les fumées d'échappement d'oxyde de carbone peuvent être fatales dans un lieu confiné.

### AVERTISSEMENT

Évitez tout démarrage accidentel. Mettez-vous en position de démarrage lorsque vous tirez sur la corde de démarrage. Pour éviter de causer des blessures sérieuses, l'opérateur et l'appareil doivent être dans une position stable.

## INSTRUCTIONS DE DÉMARRAGE

1. Mélangez l'essence avec l'huile. Remplissez le réservoir du mélange d'essence et d'huile. Voir Section 4, Huile et carburant.
2. Mettez la commande Marche/Arrêt Stop en position de DÉMARRAGE (I) (Fig. 5-1).
3. Enfoncez complètement puis relâchez lentement la poire d'amorçage 5 à 7 fois. Vous devriez sentir et voir de l'essence dans la poire (Fig. 5-2). S'il n'y a pas de carburant dans la poire, appuyez trois fois ou plus ou jusqu'à ce qu'il y pénètre.
4. Mettez le levier d'étrangleur en position de DÉMARRAGE (A) (Fig. 5-2).
5. L'appareil étant au sol, appuyez sur la manette des gaz et gardez-la enfoncée. Tirez rapidement sur la corde de démarrage (Fig. 5-3). Continuez de tirer jusqu'à ce que le moteur semble vouloir démarrer (après 2 à 5 coups).

**NOTE :** appuyez sur la manette des gaz jusqu'à ce que le moteur démarre et se réchauffe.

6. Mettez le levier d'étrangleur en position de MARCHÉ (B) (Fig. 5-2).
7. Tirez brusquement sur la corde de démarrage 1 à 3 fois pour démarrer le moteur (Fig. 5-3).
8. Si le moteur ne démarre pas, répétez les étapes 4 à 7.

**NOTE :** si le moteur se noie durant le démarrage, placez le levier d'étrangleur en position MARCHÉ (B). Appuyez sur la manette des gaz. Tirez rapidement sur la corde de démarrage. Le moteur devrait démarrer après 3 à 8 coups.

9. Appuyez sur la manette des gaz de 5 à 10 secondes pour réchauffer le moteur. Mettez le levier d'étrangleur en position de MARCHÉ (B) (Fig. 5-2).

**NOTE :** il n'est pas nécessaire d'utiliser l'étrangleur pour démarrer un moteur chaud. Mettez la commande Marche/Arrêt Stop en position de DÉMARRAGE (I) (Fig. 5-1) et le levier d'étrangleur en position de MARCHÉ (B) (Fig. 5-2).

## INSTRUCTIONS D'ARRÊT

1. Relâchez la manette des gaz (Fig. 5-3). Laissez le moteur tourner au ralenti.
2. Pour arrêter le moteur, mettez la commande de Marche/Arrêt Stop en position d'ARRÊT [O] (Fig. 5-1).

Fig. 5-4

Fig. 5-5

## TENUE DE LA DÉSHERBEUSE

### AVERTISSEMENT

**Portez toujours des protections (yeux, oreilles, pieds et corps) pour diminuer les risques de blessures durant l'utilisation de l'appareil.**

Avant de faire marcher l'appareil, tenez-vous en position de fonctionnement (Fig. 5-4). Vérifiez les points suivants:

- L'opérateur porte une visière et des vêtements appropriés.
- Le bras droit est légèrement plié et la main tient l'arbre par sa prise.
- Le bras gauche est droit et la main tient la poignée.
- L'appareil est au-dessous de la ceinture.
- L'accessoire de coupe est parallèle au sol et touche facilement la végétation sans que l'opérateur ne doive se pencher.

## RÉGLAGE DE LA LONGUEUR DU FIL

L'accessoire de coupe Bump Head vous permet de donner du fil sans arrêter le moteur. Pour avoir plus de fil, tapez doucement l'accessoire de coupe sur le sol (Fig. 5-5) tout en faisant marcher la désherbeuse à haut régime.

**NOTE:** *gardez toujours le fil bien déroulé. Il devient plus difficile de donner du fil à mesure que le fil de coupe devient plus court.*

Chaque fois que vous donnez un coup sur la tête, vous déroulez environ 25,4 mm (1 po) de fil. La lame du protecteur d'accessoire de coupe est conçue pour couper le fil à la bonne longueur si vous déroulez trop de fil.

Pour de meilleurs résultats, tapez la tête Bump Head sur un sol dégagé ou dur. Si vous donnez du fil dans un lieu d'herbe haute, vous risquez de caler le moteur. Gardez toujours le fil bien déroulé. Il devient plus difficile de donner du fil à mesure que le fil de coupe se raccourci.

**NOTE :** *Ne posez pas la tête de butée sur le sol lorsque l'appareil est en marche.*

### MISE EN GARDE

**N'enlevez pas ni n'altérez l'ensemble de la lame coupante. Un excès de fil surchauffera l'embrayage. Ceci pourrait causer des blessures graves ou endommager l'appareil.**

Le fil peut se briser dans les cas suivants :

- Happement de corps étrangers
- Usure normale du fil
- Coupe de mauvaises herbes épaisses à longues tiges
- Forcer le fil dans des objets comme des murs ou des poteaux de clôture

## CONSEILS POUR BIEN DÉSHERBER

- Le bon angle pour l'accessoire de coupe est parallèle au sol.
- Ne forcez pas l'accessoire. Coupez avec la pointe du fil (surtout le long des murs). Utiliser plus que la pointe diminue l'efficacité de la coupe et peut surcharger le moteur.
- Coupez l'herbe de plus de 200 mm (8 po) en procédant de haut en bas par petits incréments pour éviter d'user le fil prématurément ou de freiner le moteur.
- Coupez de droite à gauche chaque fois que possible. Cela améliore l'efficacité de coupe de l'appareil et les résidus de coupe sont projetés loin de l'opérateur.
- Déplacez lentement la désherbeuse dans et hors de la zone de coupe à la hauteur voulue. Procédez d'avant en arrière ou d'un côté à l'autre. Les coupes de longueur plus courte donnent les meilleurs résultats.
- Ne désherbez que lorsque l'herbe et les mauvaises herbes sont sèches.
- La durée de vie de votre fil de coupe dépend
  - de l'application des techniques de coupe précédentes
  - du type de végétation à couper
  - du lieu de coupe

Par exemple, le fil s'use plus vite si vous coupez le long d'un mur de fondation que si vous coupez autour d'un arbre.

## COUPE DÉCORATIVE

La coupe décorative consiste à déblayer la végétation autour des arbres, des bornes, des clôtures, etc.

Tournez entièrement l'appareil de manière à ce que l'accessoire de coupe soit à un angle de 30° par rapport au sol (Fig. 5-6).

Fig. 5-6

## Section 6

# Entretien

*NOTE : certaines procédures d'entretien nécessitent des compétences ou des outils particuliers. Si vous n'êtes pas sûr de pouvoir les entreprendre, portez votre appareil à un concessionnaire agréé.*

### PROGRAMME D'ENTRETIEN

L'entretien doit respecter la fréquence indiquée dans le tableau ci-dessous. Il doit également faire partie de toute mise au point saisonnière.



### AVERTISSEMENT

Ne faites jamais d'entretien ou de réparation avec l'appareil en marche mais plutôt lorsque le moteur est froid. Déconnectez le câble de bougie pour vous assurer que l'appareil ne démarrera pas.

QUAND	ENTRETIEN REQUIS	VOIR :
Avant le démarrage du moteur	Remplissez le réservoir de carburant du mélange d'essence/huile approprié.	Page 10
Toutes les 10 heures	Nettoyez le filtre à air et lubrifiez-le de nouveau.	Page 16
Toutes les 50 heures	Vérifiez l'état de la bougie et l'écartement des électrodes	Page 17

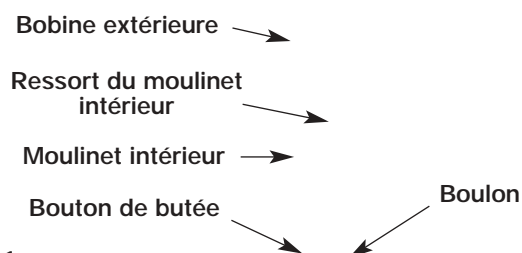


Fig. 6-1

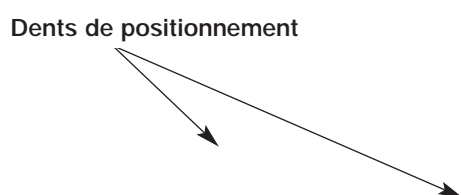


Fig. 6-2

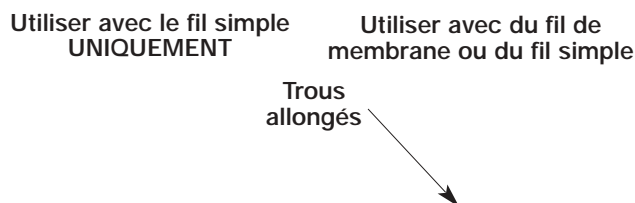


Fig. 6-3

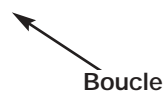


Fig. 6-4

## INSTALLATION DU FIL

Cette section couvre l'installation de fil à membrane et l'installation de fil simple standard.

Utilisez toujours un fil de remplacement d'origine de 2,41 mm (0,095 po). Un autre fil pourrait surchauffer ou endommager le moteur.

### **AVERTISSEMENT**

**N'utilisez jamais de fil, de chaîne ou de cordon à renfort métallique car ils peuvent se briser et se transformer en projectile dangereux.**

**Vous pouvez remplacer le fil de deux façons :**

- Rembobinez du fil neuf dans le moulinet intérieur
- Installer un moulinet intérieur prérembobiné

#### **Rembobiner le moulinet intérieur existant**

1. Tenez la bobine extérieure d'une main et dévissez le bouton de butée vers à droite (Fig. 6-1). Inspectez le boulon à l'intérieur du bouton de butée pour vous assurer qu'il se déplace librement. Remplacez le bouton de butée s'il est endommagé.
2. Retirez le moulinet intérieur de la bobine extérieure (Fig. 6-1).
3. Retirez le ressort du moulinet (Fig. 6-1).
4. Nettoyez le moulinet intérieur, le ressort, et l'arbre et la surface interne de la bobine extérieure à l'aide d'un tissu propre.
5. Vérifiez l'état d'usure des dents de positionnement sur le moulinet intérieur et la bobine extérieure (Fig. 6-2). Enlevez les ébarbures ou remplacez le moulinet et la bobine au besoin. **NOTE : le fil de membrane peut être utilisé seulement avec le moulinet intérieur à trous allongés. Le fil simple peut être utilisé avec les deux sortes de moulinet intérieur. Identifiez votre type de moulinet en vous référant à la figure 6-3.**

**NOTE : utilisez toujours la bonne longueur de fil lorsque vous posez le fil sur l'appareil. Le fil risque de ne pas se dérouler correctement s'il est trop long.**

#### **Installation du fil simple**

**Pour l'installation du fil de membrane, passez à l'étape 8.**

6. Découpez environ 12,2 m (40 pi) de fil neuf et faites-en deux boucles de longueurs égales. Insérez chaque extrémité de fil dans l'un des deux trous du moulinet (Fig. 6-4). Tirez le fil à travers le moulinet pour que la boucle soit le plus petit possible.
7. Enroulez les fils en couches uniformes serrées sur le moulinet (Fig. 6-5). Enroulez le fil dans le sens indiqué sur le moulinet intérieur. Placez votre index entre les deux fils pour les empêcher de se superposer. Ne superposez pas les extrémités du fil. Passez à l'étape 11.

Fig. 6-5

## Installation du fil de membrane

8. Découpez environ 6,1 m (20 pi) de fil neuf. Insérez une extrémité de fil dans l'un des deux trous du moulinet intérieur (Fig. 6-6). Tirez le fil jusqu'à ne laisser que 10 cm (4 po) environ.
9. Insérez l'extrémité du fil dans le trou ouvert du moulinet et tirez sur le fil pour que la boucle soit le plus petit possible (Fig. 6-6).
10. Avant de rembobiner le fil, séparez-le en deux sur une longueur d'environ 15 cm (6 po).
11. Enroulez le fil en couches uniformes serrées dans le sens indiqué sur le moulinet intérieur.

**NOTE :** *Ne pas enrouler le fil dans le sens indiqué entraînera un mauvais fonctionnement de l'accessoire de coupe.*

12. Insérez les extrémités du fil dans les deux fentes de retenue (Fig. 6-7).
13. Insérez les extrémités du fil dans les œillets de la bobine extérieure et placez le moulinet et le ressort dans la bobine (Fig. 6-8). Enfoncez le moulinet et la bobine ensemble. Tout en tenant le moulinet et la bobine, saisissez les extrémités et tirez fermement pour dégager le fil des fentes de retenue de la bobine.

**NOTE :** *Le ressort doit être installé dans le moulinet intérieur avant de remonter l'accessoire de coupe.*

14. Maintenez le moulinet intérieur en place et installez le bouton de butée en le tournant à gauche. Vissez bien.

## Installation d'un moulinet prérembobiné

1. Tenez la bobine extérieure d'une main et dévissez le bouton de butée vers à droite (Fig. 6-1). Inspectez le boulon à l'intérieur du bouton de butée pour vous assurer qu'il se déplace librement. Remplacez le bouton de butée s'il est endommagé.
2. Retirez l'ancien moulinet intérieur de la bobine extérieure (Fig. 6-1).
3. Retirez le ressort de l'ancien moulinet intérieur (Fig. 6-1).
4. Placez le ressort dans le moulinet intérieur neuf.

**NOTE :** *le ressort doit être installé dans le moulinet intérieur avant de remonter l'accessoire de coupe.*

5. Insérez les extrémités du fil dans les œillets de la bobine extérieure (Fig. 6-8).
6. Placez le moulinet intérieur neuf dans la bobine. Poussez le moulinet et la bobine ensemble. Tout en tenant le moulinet et la bobine, saisissez les extrémités et tirez fermement pour dégager le fil des fentes de retenue de la bobine.
7. Maintenez le moulinet intérieur en place et installez le bouton de butée en le tournant à gauche. Vissez bien.

## Pièces de rechange :

Voir Accessoires et pièces de rechange à la page 18.

Fig. 6-6

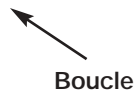


Fig. 6-7

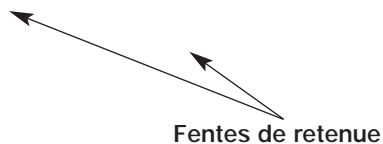
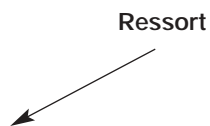


Fig. 6-8



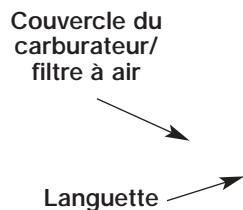


Fig. 6-9



Fig. 6-10

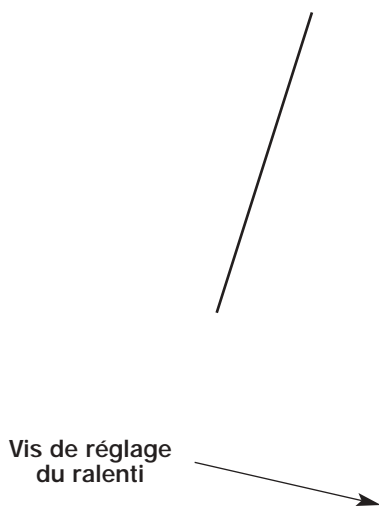


Fig. 6-11

Fig. 6-12

## ENTRETIEN DU FILTRE À AIR

### Nettoyage du filtre à air

#### **AVERTISSEMENT**

Pour éviter des blessures graves, éteignez toujours la désherbeuse et laissez-la refroidir avant tout nettoyage ou entretien.

Nettoyez et relubrifiez le filtre à air à toutes les 10 heures de fonctionnement. Son entretien est très important. Si vous ne le faites pas, cela ANNULERA la garantie.

1. Retirez le couvercle du carburateur/filtre à air en appuyant sur la languette sur le haut du couvercle (Fig. 6-9).
2. Retirez le filtre à air (Fig. 6-10).
3. Lavez le filtre dans un mélange d'eau et de détergent. Rincez-le abondamment et laissez sécher.
4. Appliquez une quantité suffisante d'huile moteur propre SAE 30 pour enduire légèrement le filtre (Fig. 6-11).
5. Pressez le filtre pour répartir et drainer l'excédent d'huile (Fig. 6-11).
6. Réinstallez le filtre (Fig. 6-10) et le couvercle du filtre à air (Fig. 6-9).

**NOTE :** si vous faites fonctionner l'appareil sans filtre à air, vous ANNULEREZ la garantie.

### RÉGLAGE DU CARBURATEUR

Le ralenti du moteur est réglable à l'aide de la vis qui se trouve près du couvercle du filtre à air (Fig. 6-12).

**NOTE :** des réglages non soigneux peuvent endommager sérieusement l'appareil. Les réglages de carburateur doivent être faits par un concessionnaire agréé.

### Vérification du mélange de carburant

En général, si l'appareil ne fonctionne pas correctement, c'est que le carburant est vieux ou mal mélangé. Videz puis remplissez le réservoir de carburant frais et bien mélangé avant d'effectuer des réglages. Voir Section 5, Huile et carburant.

### Nettoyage du filtre à air

L'état du filtre à air est très important pour le fonctionnement de l'appareil. Un filtre à air sale restreint le débit d'air et affecte le mélange de carburant/air. On confond souvent cela avec un mauvais réglage du carburateur. Vérifiez l'état du filtre à air avant de régler la vis de réglage de ralenti. Voir Section 6, Entretien.

### Réglage de la vis de réglage de ralenti

#### **AVERTISSEMENT**

Il se peut que l'accessoire de coupe tourne pendant un réglage de carburateur. Portez des vêtements protecteurs et respectez toutes les consignes de sécurité pour éviter des blessures graves.

Si le moteur ne se met toujours pas au ralenti après vérification du mélange de carburant et nettoyage du filtre à air, réglez la vis de ralenti comme suit :

1. Démarrez le moteur et laissez-le tourner à haut régime pendant une minute pour se réchauffer.
2. Relâchez le levier d'accélérateur et laissez le moteur au ralenti. Si le moteur s'arrête, insérez un petit tournevis à embout cruciforme ou à tête plate dans la vis près du couvercle du filtre à air (Fig. 6-12). Vissez la vis de 1/8 de tour à la fois (selon le besoin) jusqu'à ce que le moteur tourne au ralenti.

**NOTE:** *L'accessoire de coupe ne devrait pas tourner lorsque le moteur est au ralenti.*

3. S'il tourne, dévissez la vis de ralenti de 1/8 de tour à la fois (selon le besoin) pour réduire la vitesse de ralenti.

La vérification du mélange de carburant, le nettoyage du filtre à air et le réglage de la vis de ralenti devraient résoudre la plupart des problèmes de moteur.

Dans le cas contraire et si:

- Le moteur ne se met pas au ralenti,
- Le moteur hésite ou se cale lors d'une accélération,
- Le moteur perd de la puissance,

Faites régler le carburateur par un concessionnaire agréé.



## AVERTISSEMENT

une fois l'appareil éteint, assurez-vous que l'accessoire de coupe est arrêté avant de poser l'appareil pour éviter des blessures graves.

0.025 inch  
(0.655 mm)

Fig. 6-13

## REPLACEMENT DE LA BOUGIE

Utilisez une bougie Champion RCJ6Y (ou un modèle équivalent). L'écartement correct est de 0,655 mm (0,025 po). Retirez la bougie après 50 heures de fonctionnement et vérifiez son état.

1. Arrêtez le moteur et laissez-le refroidir. Saisissez fermement le câble de la bougie et retirez le capuchon de celle-ci.
2. Nettoyez toute saleté de la bougie. Retirez la bougie de la culasse en tournant la douille de 5/8 po à gauche.
3. Remplacez toute bougie fendillée, encrassée ou sale. Réglez l'écartement à 0,655 mm (0,025 po) à l'aide d'une jauge d'épaisseur (Fig. 6-13).



## MISE EN GARDE

Évitez de sabler, gratter ou nettoyer les électrodes car de la saleté dans le moteur pourrait endommager le cylindre.

4. Installez la bougie avec un écartement correct dans la culasse en tournant la douille de 5/8 po à droite jusqu'à la bien visser.

Si vous utilisez une clé dynamométrique vissez avec les valeurs de couple suivantes :

**110-120 po•lb (12,3-13,5 N•m).**

Évitez de trop serrer.

# Entretien (suite)

## ACCESSOIRES / PIÈCES DE RECHANGE

Bougie .....	181765
Pare-étincelles .....	182153
Cartouche de fil de rechange .....	49U5001L063
Ressort du moulinet intérieur .....	610636
Ens. du bouton Bump Head .....	180814
Bouchon de carburant .....	180000
Kit d'accessoire de débroussaillage .....	41AM079G063
Harnais d'épaule .....	682075

Vous pouvez vous procurer ces pièces de rechange auprès de votre distributeur agréé.

## NETTOYAGE



### AVERTISSEMENT

**Pour éviter des blessures graves, éteignez toujours l'appareil et laissez-le refroidir avant tout nettoyage ou entretien.**

Nettoyez l'extérieur de l'appareil à l'aide d'une petite brosse. N'utilisez pas de détergents concentrés. Les nettoyants ménagers contenant des huiles aromatiques tel que le pin et le citron, et les solvants tel que le kérosène peuvent endommager le boîtier ou la poignée en plastique. Essuyez toute trace d'humidité à l'aide d'un tissu doux.

## ENTREPOSAGE

- Ne rangez jamais l'appareil plein de carburant dans un lieu où les vapeurs peuvent atteindre une flamme vive ou des étincelles.
- Laissez le moteur se refroidir avant de l'entreposer.
- Rangez l'appareil dans un lieu verrouillé pour éviter toute utilisation ou accident indésirable.
- Rangez l'appareil dans un lieu sec et bien aéré.
- Rangez l'appareil hors de la portée des enfants.

## ENTREPOSAGE DE LONGUE DURÉE

Si vous comptez entreposer l'appareil pendant une longue période :

1. Videz tout le carburant du réservoir dans un récipient. N'utilisez pas de carburant stocké pendant plus de 60 jours. Éliminez le vieux carburant conformément à la réglementation fédérale, provinciale et municipale en vigueur.
2. Démarrez le moteur, puis laissez-le tourner jusqu'à ce qu'il cale. Cela permet de s'assurer que le carburateur s'est vidé de son carburant.
3. Laissez le moteur refroidir. Retirez la bougie et versez environ 30 ml (1 oz) d'huile moteur de qualité dans le cylindre. Tirez lentement sur la corde de démarrage pour bien distribuer l'huile. Remplacez la bougie.

**NOTE : retirez la bougie et videz toute l'huile du cylindre avant de mettre en marche la désherbeuse après une période d'entreposage.**

4. Nettoyez soigneusement l'appareil et vérifiez qu'il ne comporte pas de pièces desserrées ou endommagées. Réparez ou remplacez les pièces endommagées, puis serrez les vis, écrous et boulons desserrés. L'appareil est alors prêt pour l'entreposage.

## TRANSPORT

- Laissez le moteur refroidir avant le transport.
- Attachez bien l'appareil lors du transport.
- Videz tout le carburant du réservoir avant le transport.
- Serrez le bouchon du réservoir avant le transport.



# Dépannage

## LE MOTEUR REFUSE DE DÉMARRER

### CAUSE

La commande Marche/Arrêt Stop est en position ARRÊT.  
 Réservoir de carburant vide  
 La poire d'amorçage n'a pas été pressée assez fort  
 Moteur noyé  
 Carburant vieux ou mal mélangé  
 Bougie encrassée

### SOLUTION

Mettez-la en position MARCHÉ  
 Remplissez e de carburant bien mélangé.  
 Pressez-la complètement et lentement de 5 à 7 fois  
 Utilisez la procédure de démarrage, levier d'étrangleur en position MARCHÉ, p. 11.  
 Drainez le réservoir/ajoutez du carburant frais  
 Remplacez ou nettoyez-la

## LE MOTEUR REFUSE DE SE METTRE AU RALENTI

### CAUSE

Filtre à air bouché  
 Carburant vieux ou mal mélangé  
 Mauvais réglage du carburateur

### SOLUTION

Remplacez ou nettoyez-le  
 Drainez le réservoir/ajoutez du carburant frais  
 Ajustez selon l'instruction de la page 16

## LE MOTEUR REFUSE D'ACCÉLÉRER

### CAUSE

Carburant vieux ou mal mélangé  
 Mauvais réglage du carburateur  
 Accessoire de coupe engorgé d'herbes  
 Filtre à air sale

### SOLUTION

Drainez le réservoir/ajoutez du carburant frais  
 Faites-le régler par un concessionnaire agréé  
 Arrêtez le moteur et nettoyez l'accessoire  
 Remplacez ou nettoyez-le

## LE MOTEUR MANQUE DE PUISSANCE OU SE CALE DURANT LA COUPE

### CAUSE

Carburant vieux ou mal mélangé  
 Mauvais réglage du carburateur

### SOLUTION

Drainez le réservoir/ajoutez du carburant frais  
 Faites-le régler par un concessionnaire agréé

## LA TÊTE DE COUPE NE FAIT PAS AVANCER LE FIL

### CAUSE

Accessoire de coupe engorgé d'herbes  
 Accessoire de coupe mal aligné  
 Moulinet intérieur bloqué  
 Tête de coupe sale  
 Fil soudé  
 Fil tordu durant la recharge  
 Quantité insuffisante de fil exposée

### SOLUTION

Arrêtez le moteur et nettoyez l'accessoire  
 Chargez du fil neuf  
 Remplacez le moulinet  
 Nettoyez le moulinet intérieur et la bobine extérieure  
 Démontez et déposez la partie soudée, et rembobinez le fil  
 Démontez puis rembobinez le fil  
 Enfoncez le bouton de butée (Bump Head) et tirez le fil jusqu'à en extraire 102 mm (4 po) à l'extérieur de l'accessoire de coupe

# Caractéristiques

### MOTEUR

Type de moteur	Refroidi par air, 2-temps
Cylindrée	25 cc (1,4 po <sup>3</sup> )
Type d'embrayage	Centrifuge
Régime ralenti	2.600-3.600 tr/min
Régime de fonctionnement	7.700-8.600 tr/min
Type d'allumage	Électronique
Contact d'allumage	Interrupteur à bascule
Écartement de la bougie	0.655 mm (0,025 po)
Lubrification	Mélange carburant/huile
Rapport carburant/huile	32:1
Carburateur	Membrane, toutes positions
Démarrreur	Rebobinage automatique
Silencieux	Chicane avec protection
Accélérateur	À rappel manuel
Capacité du réservoir de carburant	591 ml (20 oz)

### ARBRE D'ENTRAÎNEMENT ET TÊTE À FIL

Logement de l'arbre d'entraînement	Tube d'aluminium
Manette des gaz	Détente à portée du doigt
Poids de l'appareil (sans carburant, avec tête de coupe à fil, protecteur de sécurité et poignée en boucle)	4.9 kg (11 lb)
Mécanisme de coupe	Bump Head
Diamètre de la bobine de fil	101.6 mm (4 po)
Diamètre du fil	2.41 mm (0.095 po)
Diamètre du chemin de coupe	44 cm (18 po)

# Notes

## GARANTIE LIMITÉE DU FABRICANT POUR:



La garantie limitée énoncée ci-après est accordée par MTD SOUTHWEST INC. ("MTD") et concerne les marchandises neuves achetées et utilisées aux Etats-Unis, ainsi que dans leurs possessions et territoires.

MTD garantit ce produit contre tout vice de matière ou de façon pendant une période de deux (2) ans à compter de la date d'achat initiale et elle se réserve le choix de réparer ou de remplacer, à titre gratuit, toute pièce présentant un vice de matière ou de façon. Cette garantie limitée ne s'appliquera que dans la mesure où le produit aura été utilisé et entretenu conformément au Guide de l'utilisateur fourni avec le produit et n'aura pas fait l'objet d'un usage inadéquat, abusif, commercial ou négligent, d'un accident, d'un entretien inadéquat, d'une modification, de vandalisme, d'un vol, d'un incendie, de dégâts des eaux ou d'un endommagement résultant d'un autre péril ou d'un désastre naturel. Les dommages résultants de l'installation ou de l'utilisation de tout accessoire ou équipement non approuvé par MTD pour une utilisation avec le(s) produit(s) couvert(s) par le présent guide annuleront la garantie et ce qui concerne les dommages qui en résulteraient éventuellement.

La présente garantie est limitée à quatre-vingt-dix (90) jours à compter de la date d'achat au détail primitive pour tout produit MTD utilisé à des fins locatives ou commerciales, ou toute utilisation produisant des revenus.

**POUR L'ENTRETIEN-DEPANNAGE :** L'Entretien-dépannage au titre de la garantie est disponible, SUR PRESENTATION DE PREUVE D'ACHAT, AUPRES DU CONCESSIONNAIRE REPARATEUR LOCAL. Pour obtenir le nom du concessionnaire local, consulter les Pages Jaunes ou se mettre en rapport avec le Service après-vente de MTD SOUTHWEST INC. en appelant le 1-800-345-8746 ou en écrivant au 555 N.54th Street, Chandler, Arizona 85226 ou en appelant le 1-800-668-1238 au Canada. Aucun produit retourné à l'usine sans permission écrite préalable du service après-vente de MTD SOUTHWEST INC. ne sera accepté.

**La garantie limitée n'offre aucune couverture dans les cas suivants :**

- A. Mises au point – Bougies, réglages de carburateur, filtres
- B. Articles d'usure – Dispositif d'avance de fil, bobines extérieures, fil de coupe, bobines intérieures, poulie de démarrage, cordons de démarrage, courroies d'entraînement
- C. MTD n'accorde aucune garantie pour les produits vendus ou exportés des Etats-Unis, de leurs possessions et territoires, exception faite en ce qui concerne les produits vendus par l'intermédiaire de ses canaux agréés de distribution à l'exportation.

MTD se réserve le droit de modifier ou d'améliorer la conception de tout produit TROY-BILT® sans assumer l'obligation de modifier tout produit d'une fabrication plus ancienne.

**Aucune garantie implicite, y compris toute garantie de valeur marchande ou d'adaptation à une fin particulière, ne s'applique après la période applicable de garantie expresse écrite ci-dessus concernant les pièces qui sont identifiées. Aucune autre garantie ou caution expresse, écrite ou orale, à l'exception de celle mentionnée ci-dessus, accordée par toute personne ou entité, y compris tout concessionnaire ou détaillant, concernant tout produit n'engagera la responsabilité de MTD. Pendant la période de garantie, le remède exclusif est la réparation ou le remplacement du produit dans les conditions énoncées ci-dessus.** (Certains états ne permettent la limitation de la garantie implicite, il est donc possible que la limitation ci-dessus ne s'applique pas à vous.)

**Les clauses énoncées dans la présente Garantie constituent le recours unique et exclusif inhérent aux ventes. MTD ne sera en aucun cas tenue pour responsable de tout dommage indirect ou consécutif ou de dommages comprenant, entre autres mais pas seulement, les dépenses encourues du fait du recours à des services de remplacement ou de substitution pour l'entretien des gazons, le transport ou des frais connexes, ou les frais entraînés par une location destinée à remplacer provisoirement un produit sous garantie.** (Certains états ne permettent la limitation de la garantie implicite, il est donc possible que la limitation ci-dessus ne s'applique pas à vous.)

Aucun recouvrement, quel qu'il soit, ne sera d'un montant supérieur au prix du produit vendu. Toute modification des dispositifs de sécurité du produit annulera la présente Garantie. Vous assumez tout risque et toute responsabilité résultant de la perte, de l'endommagement ou de préjudice que vous et votre propriété et/ou d'autres et leur propriété pourront encourir d'un fait de l'utilisation normale, de la mauvaise utilisation ou de l'empêchement d'utiliser le produit.

La présente garantie limitée n'est accordée qu'à l'acheteur primitif, au preneur primitif ou à la personne à laquelle le produit a été offert.

**Le Droit des Etats vis à vis de la présente garantie :** La présente garantie vous confère certains droits juridiques, et vous pouvez bénéficier d'autres droits, lesquels varient d'un état à l'autre.

Pour obtenir l'adresse du concessionnaire réparateur le plus proche, composer le :  
1-800-345-8746 aux Etats-Unis ou le  
1-800-668-1238 au Canada.

**MTD Southwest Inc**  
550 N. 54th Street  
Chandler, AZ 85226 U.S.A.



## Manual del dueño/operador

---

## Recortador de 2 ciclos

- Seguridad
- Armado
- Operación
- Mantenimiento

### Modelos

---

TB3000 – Eje recto de 25 cc

---

# Introducción

## MUCHAS GRACIAS

Gracias por haber adquirido este gran producto. Esta moderna herramienta motriz de exteriores está diseñada para brindarle muchas horas de servicio útil. Usted comprobará que es un artefacto que le ahorrará mucho trabajo. Este manual del operador le brinda instrucciones de operación de fácil comprensión. Lea todo el manual y siga todas las instrucciones para mantener su nueva herramienta motriz de exteriores en las mejores condiciones de funcionamiento.

## REFERENCIAS, ILUSTRACIONES Y ESPECIFICACIONES DEL PRODUCTO

Toda la información, las ilustraciones y las especificaciones contenidas en este manual se basan en la información más reciente disponible en el momento de impresión del manual. Nos reservamos el derecho de hacer cambios en cualquier momento sin aviso previo.

Copyright© 2000 MTD Southwest Inc  
Todos los derechos reservados.

---

## Table of Contents

<b>Introducción</b> .....	<b>2</b>	<b>Sección 6: Mantenimiento</b> .....	<b>13-18</b>
<b>Índice de materias</b> .....	<b>2</b>	Programa de mantenimiento.....	13
<b>Contenido de la caja</b> .....	<b>2</b>	Instalación de la línea.....	14-15
<b>Información del servicio</b> .....	<b>3</b>	Instalación de un carrete prebobinado .....	15
<b>Números de identificación</b> .....	<b>3</b>	Mantenimiento del filtro de aire .....	16
<b>Sección 1: Seguridad</b> .....	<b>4-7</b>	Ajuste del carburador .....	16-17
Importante información de seguridad .....	4-5	Cambio de la bujía de encendido .....	17
Símbolos de seguridad e internacionales .....	6-7	Accesorios/Repuestos.....	18
<b>Sección 2: Conozca su unidad</b> .....	<b>8</b>	Limpieza .....	18
<b>Sección 3: Armado</b> .....	<b>9</b>	Almacenamiento .....	18
Instalación y ajuste de la manija en D .....	9	Almacenamiento prolongado.....	18
<b>Sección 4: Aceite y combustible</b> .....	<b>10</b>	<b>Sección 7: Solución de desperfectos</b> .....	<b>19</b>
Instrucciones para mezclar el combustible y el aceite.....	13	<b>Sección 8: Especificaciones</b> .....	<b>20</b>
<b>Sección 5: Operación</b> .....	<b>11-13</b>	<b>Sección 9: Garantía</b> .....	<b>24</b>
Instrucciones de arranque .....	11		
Instrucciones de apagado.....	11		
Cómo sostener el recortador.....	12		
Ajuste de la longitud de la línea de corte .....	12		
Consejos para obtener mejores resultados al recortar ....	12		
Recortado decorativo .....	13		

---

## Contents of Carton

- Recortador modelo TB3000 con accesorio de corte de cabeza percusiva grande y protector accesorio de corte
- Δ Manija en D y piezas
- Manual del dueño/operador
- Tarjeta de registro del producto
- Botella de aceite de 2 ciclos
- Δ Esta pieza estará instalada en la unidad o en la bolsa de piezas.

## INFORMACION DEL SERVICIO

El servicio de esta unidad, ya sea durante o después del período cubierto por la garantía, debe ser realizado solamente por un proveedor de servicios autorizado y aprobado.

Llame al:

- **1-800-345-8746** para obtener el nombre de los proveedores de servicio autorizados en los Estados Unidos.

O

- **1-800-668-1238** en Canadá para obtener una lista de los proveedores de servicio autorizados más cercanos a usted.

**No regrese su unidad al vendedor.**

**NOTA: PARA SOLICITAR SERVICIO POR LA GARANTIA, DEBERA PRESENTAR PRUEBA DE SU COMPRA.**

Antes de arrancar u operar este equipo, asegúrese de leer y comprender bien este manual.

ESTE PRODUCTO ESTA CUBIERTO POR UNA O MAS PATENTES DE EE.UU., OTRAS PATENTES EN TRAMITE.



**ADVERTENCIA:** Escape del motor, algunos de sus componentes y ciertos componentes del vehículo contienen o emiten sustancias químicas que el estado de California sabe causan el cáncer y defectos de nacimiento u otros problemas asociados con la reproducción.

## INFORMACIÓN SOBRE EL AMORTIGUADOR DE CHISPAS

**NOTA: Para los usuarios en tierras forestales de los EE.UU. y en los estados de California, Maine, Oregon y Washington.** Toda la tierra forestal de EE.UU. y del estado de California \*Códigos de Recursos Públicos 4442 y 4443), Oregon y Washington requieren, por ley, que ciertos motores de combustión operados en áreas de pasturas forestales o recubiertas con césped estén equipados con un amortiguador de chispas, que sean mantenidos en buenas condiciones de funcionamiento, o que el motor sea construido, equipado y mantenido para la prevención de incendios. Consulte con sus autoridades estatales o locales acerca de las normas relativas a dichos requisitos. Si no cumple con estos requisitos, usted podría ser legalmente responsable o recibir una multa. **Esta unidad viene equipada de fábrica con un amortiguador de chispas.** Si necesita cambiarlo, solicite que su centro LOCAL DE SERVICIOS instale el **accesorio N° 181696, equipo amortiguador de chispas.**

## Números de identificación

**Antes de comenzar a armar su nuevo equipo,** por favor ubique la placa del modelo en la unidad y copie la información en el espacio provisto a continuación. La información en la placa del modelo es muy importante en caso de que necesite ayuda de nuestro Departamento de Apoyo al Cliente o de un concesionario autorizado.

- Usted puede ubicar el número del modelo en el bastidor del eje de la unidad al lado del control de encendido y apagado. A continuación se explica una placa de modelo de muestra. Para referencia futura, por favor copie el número de modelo y el número de serie del equipo en el espacio que sigue.

Copie el número del modelo/  
pieza del fabricante aquí: \_\_\_\_\_

Número de serie

Número del modelo/  
pieza del fabricante

Copie el número  
de serie aquí: \_\_\_\_\_

# Seguridad

Los símbolos de seguridad se utilizan para llamar su atención sobre posibles peligros. Los símbolos de seguridad y sus explicaciones merecen toda su atención y comprensión. Los símbolos de seguridad no eliminan ningún peligro por sí mismos. Las instrucciones o advertencias que ofrecen no substituyen las medidas adecuadas de prevención de accidentes.

### SIMBOLO SIGNIFICADO



#### **SIMBOLO DE ALERTA DE SEGURIDAD:**

Indica peligro, advertencia o precaución. Debe prestar atención para evitar sufrir graves lesiones personales. Puede ser utilizado junto con otros símbolos o figuras.

*NOTA: Le ofrece información o instrucciones que son esenciales para la operación o mantenimiento del equipo.*



### PELIGRO

El no obedecer una advertencia de seguridad puede conducir a que usted u otras personas sufran graves lesiones. Siga siempre las precauciones de seguridad para reducir el riesgo de incendio, descarga eléctrica y lesiones personales.



### ADVERTENCIA

El no seguir una advertencia de seguridad puede conducir a que usted u otras personas sufran lesiones. Siga siempre las precauciones de seguridad para reducir el riesgo de incendio, descarga eléctrica y lesiones personales.



### PRECAUCION

El no seguir una advertencia de seguridad puede conducir a daño patrimonial o a que usted u otras personas sufran lesiones personales. Siga siempre las precauciones de seguridad para reducir el riesgo de incendio, descarga eléctrica y lesiones personales.

## • IMPORTANTE INFORMACION DE SEGURIDAD •

### LEA TODAS LAS INSTRUCCIONES

#### ANTES DE LA OPERACION

- Lea todas las instrucciones con cuidado. Conozca bien los controles y el uso correcto de la unidad.
- No opere esta unidad si está cansado, enfermo, o bajo los efectos del alcohol, drogas o medicamentos.
- Los niños y los adolescentes menores de 15 años no deben operar las unidades, excepto por los adolescentes guiados por un adulto.
- Inspeccione la unidad antes de utilizarla. Cambie las partes dañadas. Verifique si existen pérdidas de combustible. Asegúrese de que los sujetadores estén bien colocados y asegurados. Cambie las partes accesorias de corte que estén quebradas, cascadas o dañadas de cualquier forma. Asegúrese de que el accesorio de corte está bien instalado y ajustado con firmeza. Asegúrese de que la protección accesorias de corte esté bien conectada y colocada según se recomienda.
- Use solamente una línea de repuesto genuina del fabricante de 0.095 pulgadas (2.41 mm) de diámetro. No use nunca una línea reforzada con metal, alambre, cadena ni sogas, etc. Podrían desprenderse y convertirse en un proyectil peligroso.
- Tenga en cuenta el riesgo de lesiones en la cabeza, manos y pies.

- Limpie el área de corte antes de cada uso. Retire todos los objetos como rocas, vidrios rotos, clavos, alambre o cuerda los cuales pueden ser despedidos o enredarse en el accesorio de corte. Aleje a todos los niños, espectadores y animales domésticos. Mantenga todos los niños, espectadores y animales domésticos a un radio de por lo menos 50 pies (15 m); aún así puede existir un riesgo de objetos despedidos contra los espectadores. Los espectadores deben usar protección para sus ojos. Si alguien se le acerca, pare el motor y el accesorio de corte de inmediato.
- Oprima el control del regulador y verifique que regrese automáticamente a la posición de mínima. Haga todos los ajustes o reparaciones antes de usar la unidad.
- No conecte ni use esta unidad con ningún tipo de cuchilla para cortar malezas o accesorios para cortar malezas ya que la unidad ya está instalada. El fabricante dispone de un accesorio para cortar malezas. Vea la **Sección 6, Mantenimiento** para obtener el número de pieza del accesorio. Use solamente el juego de accesorios del fabricante.

### ADVERTENCIAS DE SEGURIDAD PARA LOS RECORTADORES A GASOLINA

**ADVERTENCIA:** La gasolina es muy inflamable y sus gases pueden explotar si se encienden. Tome las siguientes precauciones:

- Guarde el combustible en envases que hayan sido diseñados y aprobados para el almacenamiento de dichos materiales.



- Antes de llenar el tanque de combustible, apague siempre el motor y espere que se enfríe. No retire nunca la tapa del tanque de combustible ni cargue combustible mientras el motor esté caliente. No opere nunca la unidad sin la tapa del combustible colocada firmemente en su lugar. Afloje la tapa del combustible lentamente para disipar la presión del tanque.
- Mezcle y cargue el combustible en un área exterior bien ventilada donde no haya chispas ni llamas. Quite lentamente la tapa del combustible sólo después de apagar el motor. No fume mientras carga o mezcla el combustible. Limpie de inmediato todo el combustible que se haya derramado.
- Evite crear una fuente de encendido por combustible derramado. No arranque el motor hasta que se hayan disipado los vapores del combustible.
- Aleje la unidad a por lo menos 10 pies (3 m.) del lugar de carga de combustible antes de arrancar el motor. No fume, mantenga las chispas y las llamas abiertas lejos del área mientras carga el combustible u opera la unidad.

## DURANTE LA OPERACION

- No arranque ni opere la unidad en una sala o edificio cerrado. Los gases de escape de monóxido de carbono pueden ser letales en un área cerrada. Opere esta unidad sólo en un área exterior bien ventilada.
- Use lentes o gafas de protección que cumplan con las normas ANSI Z87.1, y protección para sus oídos/audición mientras opere esta unidad. Use siempre una máscara facial o para protegerse contra el polvo si la operación levanta polvo.
- Use pantalones largos y gruesos, botas, guantes y camisa de manga larga. No use ropa holgada, alhajas, pantalones cortos, sandalias ni esté descalzo. Sostenga el cabello sobre el nivel de los hombros.
- La protección accesorio de corte debe estar siempre colocada en su lugar mientras opere la unidad. No opere la unidad con las dos líneas de corte extendidas, y la línea correcta instalada. No extienda la línea de corte más allá de la longitud de la protección.
- Esta unidad cuenta con un embrague. El accesorio de corte permanece estacionario cuando el motor está en marcha lenta. Si no lo hace, haga ajustar la unidad por un técnico de servicio autorizado.
- Ajuste la manija en D a su medida de modo que le brinde el mejor agarre.
- \* Asegúrese de que el accesorio de corte no esté en contacto con nada antes de hacer arrancar la unidad.
- Use la unidad únicamente con la luz del día o con buena luz artificial.
- Evite arrancar la unidad accidentalmente. Colóquese en posición de inicio siempre que tire de la cuerda de arranque. El operador y la unidad deben estar en una posición estable al comenzar. Vea la **Sección 5, Operación**.
- Use la herramienta adecuada. No use esta unidad para ninguna tarea para la cual no ha sido diseñada.
- No se estire demasiado. Mantenga siempre una posición y equilibrio adecuados.
- Sostenga siempre la unidad con ambas manos mientras esté en funcionamiento. Sostenga con firmeza tanto el mango como la manija auxiliar.
- Mantenga las manos, la cara y los pies lejos de todas las partes móviles. No intente tocar ni detener el accesorio de corte mientras gira.
- No toque el motor, el bastidor del engranaje ni el silenciador. Estas partes se calientan mucho con la operación. Luego de apagar la unidad, permanecen calientes durante un tiempo breve.
- No opere el motor a una velocidad mayor que la necesaria para cortar, recortar o recortar los bordes. No haga funcionar el motor a alta velocidad mientras no está cortando.
- Apague siempre el motor cuando demore el corte o mientras camina entre zonas de corte.
- Si golpea o se enreda con algún objeto extraño, apague el motor de inmediato y verifique si hay daños. Repare todos los daños antes de volver a intentar operar la unidad. No opere la unidad si tiene piezas flojas o dañadas.
- Apague el motor para realizar todo el mantenimiento, reparaciones o cambio del accesorio de corte u otros accesorios.
- Use solamente repuestos y accesorios genuinos del fabricante para esta unidad. Estos están disponibles de su proveedor de servicio autorizado. El uso de repuestos o accesorios no autorizados por el fabricante podría causar serias lesiones al usuario, o dañar la unidad y cancelar su garantía.
- Mantenga la unidad libre de vegetación y otros materiales. Pueden alojarse entre el accesorio de corte y la protección.
- Para reducir el riesgo de incendio, cambie los silenciadores y amortiguadores de chispas defectuosos, mantenga el motor y el silenciador libre de pasto, hojas, grasa excesiva o acumulaciones de carbono.

## OTRAS ADVERTENCIAS DE SEGURIDAD

- No guarde nunca la unidad con combustible en el tanque en un edificio donde los gases puedan llegar a una llama abierta o a una chispa.
- Espere que el motor se enfríe antes de guardar o transportar la unidad. Asegúrese de que la unidad esté segura al transportarla.
- Guarde la unidad bajo llave en un lugar adecuado y seco para evitar que sea usada por personas no autorizadas y se dañe, fuera del alcance de los niños.
- Nunca moje ni rocíe la unidad con agua ni con ningún otro líquido. Mantenga las manijas secas, limpias y sin residuos. Limpie la unidad luego de cada uso, lea las instrucciones de Limpieza y Almacenamiento.
- Guarde estas instrucciones. Consúltelas con frecuencia y utilícelas para enseñar a otros usuarios. Si le presta esta unidad a alguien, préstele también estas instrucciones.

## GUARDE ESTAS INSTRUCCIONES

# Seguridad (continuación)

---

## SIMBOLOS DE SEGURIDAD E INTERNACIONALES

Este manual del operador describe los símbolos y figuras de seguridad e internacionales que pueden aparecer en este producto. Lea el manual del operador para obtener información completa acerca de la seguridad, ensamble, operación y mantenimiento y reparación.

### SIMBOLO

### SIGNIFICADO

#### • SIMBOLO DE ALERTA DE SEGURIDAD

Indica peligro, advertencia o precaución. Puede ser utilizado junto con otros símbolos o figuras.

#### • ADVERTENCIA - LEA EL MANUAL DEL OPERADOR

Lea el manual del operador y siga todas las advertencias e instrucciones de seguridad. De no hacerlo, el operador y/o los espectadores pueden sufrir graves lesiones.

#### • PARA OBTENER INFORMACION ACERCA DEL SERVICIO LLAME

EN EE.UU.: 1-800-345-8746  
EN CANADA: 1-800-668-1238

#### • USE PROTECCION OCULAR Y AUDITIVA

**ADVERTENCIA:** Los objetos arrojados por la unidad y el ruido fuerte pueden causar graves lesiones oculares y pérdida auditiva. Utilice protección ocular que cumpla con las normas ANSI Z87.1 y protección auditiva cuando opere esta unidad.

#### • MANTENGA ALEJADOS A LOS ESPECTADORES

**ADVERTENCIA:** Mantenga a todos los espectadores, en especial a niños y animales domésticos a por lo menos 50 pies (15 m) del área de corte.

#### • BOMBILLA DEL CEBADOR

Oprima la bombilla del cebador completa y lentamente, de 5 a 7 veces.

#### • COMBUSTIBLE SIN PLOMO

Use siempre combustible limpio, nuevo y sin plomo.

#### • INDICADOR DE ACEITE

Consulte el manual del operador para obtener información acerca del tipo correcto de aceite.

#### • LOS OBJETOS DESPEDIDOS Y LA CUCHILLA ROTATIVA PUEDEN CAUSAR GRAVES LESIONES

**ADVERTENCIA:** No opere esta unidad si la protección plástica de línea no está colocada en su lugar. Manténgase alejado del accesorio de corte giratorio.

#### • CONTROL DE ENCENDIDO Y APAGADO

ENCENDIDO / ARRANQUE / MARCHA

#### • CONTROL DE ENCENDIDO Y APAGADO

APAGADO O PARADO

#### • ADVERTENCIA DE SUPERFICIE CALIENTE

No toque el silenciador, el bastidor de engranajes ni el cilindro mientras estén calientes. Puede quemarse. Estas piezas se calientan mucho por la operación. Luego de apagar la unidad, permanecen calientes durante un tiempo breve.

## SIMBOLO

## SIGNIFICADO

### • CUCHILLA AFILADA

**ADVERTENCIA:** La protección del accesorio de corte contiene una cuchilla afilada. Para prevenir graves lesiones, no toque la cuchilla.

### • CONTROL DEL OBTURADOR

- A • Posición de **ARRANQUE**.
- B • Posición de **MARCHA**.

**ADVERTENCIA:** La operación de toda herramienta motriz puede causar que objetos extraños sean arrojados a sus ojos. Esto puede dar lugar a graves daños oculares. Antes de comenzar la operación de una herramienta motriz, use siempre gafas o lentes de seguridad que indiquen que cumplen con las normas ANSI-Z87.1, y una máscara facial completa cuando sea necesario.

**LO SIGUIENTE SE INCLUYE COMO REFERENCIA CUANDO SE ARMA LA UNIDAD CON EL JUEGO DE ACCESORIOS PARA CORTAR MALEZAS DEL FABRICANTE.**



## **ADVERTENCIA**

No conecte ni use esta unidad con ningún tipo de cuchilla para cortar malezas o accesorios para cortar malezas ya que la unidad ya está instalada. El fabricante dispone de un accesorio para cortar malezas. Vea la Sección 6, Mantenimiento para obtener el número de pieza del accesorio. Use solamente el juego de accesorios del fabricante. No hacerlo podría resultar en lesiones personales serias para usted u otros o daño a la unidad.

### • CORTADORAS DE MALEZAS: Cambie la cuchilla desafilada.

No afile la cuchilla de corte. El afilar la cuchilla puede causar que la punta se desprenda mientras está en uso. Esto puede dar lugar a graves lesiones personales.

### • SEGURIDAD DE LA RECORTADORA Y CORTADORA DE MALEZAS

**ADVERTENCIA:** Los objetos que salen despedidos y la cortadora giratoria pueden causar graves lesiones. Mantenga a los espectadores, especialmente a los niños y animales domésticos a no menos de 50 pies (15 m) de distancia del área de corte. Debe utilizar el protector accesorio de corte mientras use el accesorio de corte de la recortadora.

# Conozca su unidad

### APLICACIONES

Como recortador;

- Corte de césped y hierbas delgadas.
- Recorte de bordes
- Recorte decorativo alrededor de árboles, cercos, etc.

Con el juego opcional de accesorios para cortar malezas;

- Corte de hierbas y arbustos delgados de hasta 1/2 pulgada de diámetro.

# Armado

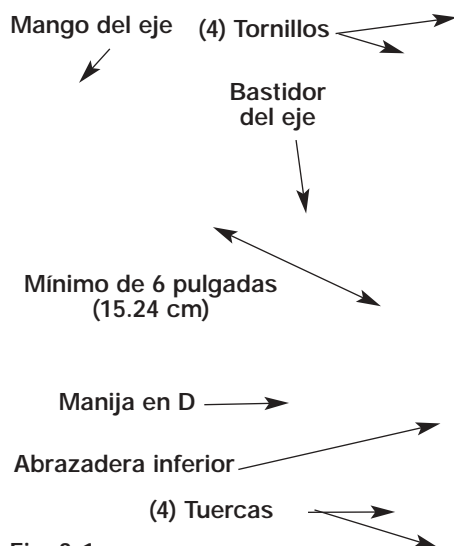


Fig. 3-1

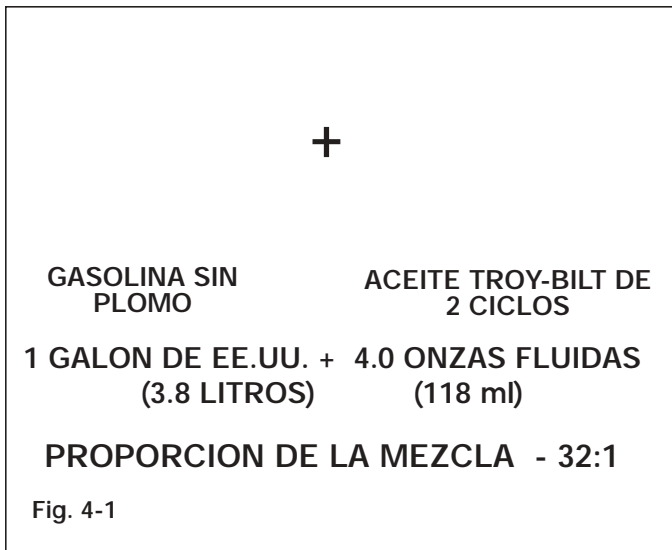
En algunas unidades, la manija en D puede estar ya instalada y sólo requiere aflojar los tornillos y ajustar la manija en D de acuerdo con el operador. Proceda al paso 4 para ajustar la manija en D si ya está instalada.

## INSTALACIÓN Y AJUSTE DE LA MANIJA EN D

1. Saque los tornillos, tuercas y la abrazadera inferior que se instalaron en la manija en D para su envío.
2. Coloque la manija en D por encima del bastidor del eje y sobre la abrazadera inferior (Fig. 3-1). Colóquela a un mínimo de 6 pulgadas (15,24 cm) desde el extremo del puño del eje.
3. Sostenga cada tuerca hexagonal en el hueco de la abrazadera inferior con un dedo. Comience a colocar los tornillos con un destornillador Phillips grande. No los apriete hasta ajustar la manija.
4. Si fue preinstalada, afloje los tornillos en la manija en D lo suficiente para mover la manija en D.
5. Mientras sostiene la unidad en posición de operación (Fig. 3-2), coloque la manija en D en la posición que le brinde el mejor agarre.
6. Ajuste los tornillos de la abrazadera en forma pareja hasta que la manija en D esté firme.

Fig. 3-2

# Aceite y combustible



### INSTRUCCIONES PARA MEZCLAR EL ACEITE Y EL COMBUSTIBLE

El combustible viejo o mal mezclado son los motivos principales del mal funcionamiento de la unidad. Asegúrese de usar combustible nuevo, limpio y sin plomo. Siga las instrucciones en detalle para mezclar correctamente el aceite y el combustible.

#### Definición de los combustibles de mezcla

Los combustibles actuales con frecuencia son una mezcla de gasolina y oxigenantes como por ejemplo etanol, metanol o MTBE (éter). El combustible mezclado con alcohol absorbe agua. Una cantidad tan pequeña como el 1% de agua en el combustible puede causar la separación del combustible y el aceite. Forma ácidos cuando está almacenado. Cuando use combustible mezclado con alcohol, use combustible nuevo (de menos de 60 días).

#### Uso de combustibles de mezcla

Si usted opta por usar un combustible de mezcla o si su uso es inevitable, tome las precauciones recomendadas.

- Use siempre una mezcla fresca de combustible según lo indica su manual del operador.
- Agite siempre la mezcla de combustible antes de cargarlo en la unidad.
- Drene el tanque y haga funcionar el motor en seco antes de guardar la unidad.

#### Uso de aditivos en el combustible

La botella de aceite de 2 ciclos TROY-BILT que se incluye con la unidad contiene un aditivo para el combustible que ayudará a reducir la corrosión y la formación de depósitos de goma. Se recomienda usar solamente el aceite de 2 ciclos TROY-BILT en esta unidad.

Si es inevitable, use un buen aceite de 2 ciclos elaborado para motores enfriados por aire junto con un aditivo para el combustible como por ejemplo el estabilizador de gasolina STA-BIL® o similar. Agregue 0.8 onzas (23 ml) de aditivo de combustible por galón de combustible de acuerdo con las instrucciones del envase. NUNCA agregue aditivos directamente en el tanque de combustible de la unidad.



### PRECAUCION

Para que el motor funcione correctamente y con la mayor fiabilidad, preste mucha atención a las instrucciones de mezcla de aceite y combustible del envase de aceite de 2 ciclos. El uso de combustible mezclado en forma incorrecta puede dañar seriamente el motor.

Mezcle la cantidad correcta de aceite para motores de 2 ciclos con gasolina sin plomo en una lata para combustible separada. Use una relación de combustible a aceite de 32 a 1. No los mezcle directamente en el tanque de combustible del motor. Vea la Figura 4-1 para obtener la relación correcta de combustible y aceite específica.

**NOTA:** *Un galón (3,8 litros) de gasolina sin plomo mezclada con una botella de 4 onzas (118 ml) de ACEITE PARA MOTORES DE 2 CICLOS TROY-BILT completa la relación entre gasolina y aceite de 32 a 1.*



### ADVERTENCIA

La gasolina es muy inflamable. Los gases pueden explotar si se encienden. Apague siempre el motor y espere que se enfríe antes de cargar el tanque de combustible. No fume mientras llena el tanque. Mantenga las chispas y las llamas lejos del área.



### ADVERTENCIA

Saque la tapa del combustible lentamente para evitar lesionarse con el rociado del combustible. No opere nunca la unidad sin la tapa del combustible firmemente colocada en su lugar.



### ADVERTENCIA

Cargue el combustible en un área exterior limpia y bien ventilada. Limpie de inmediato todo combustible que se haya derramado. Evite crear una fuente de encendido con el combustible derramado. No arranque el motor hasta que se hayan evaporado los gases del combustible.

**NOTA:** *Elimine la mezcla vieja de aceite y combustible de acuerdo con los reglamentos federales, estatales y locales.*

# Operación

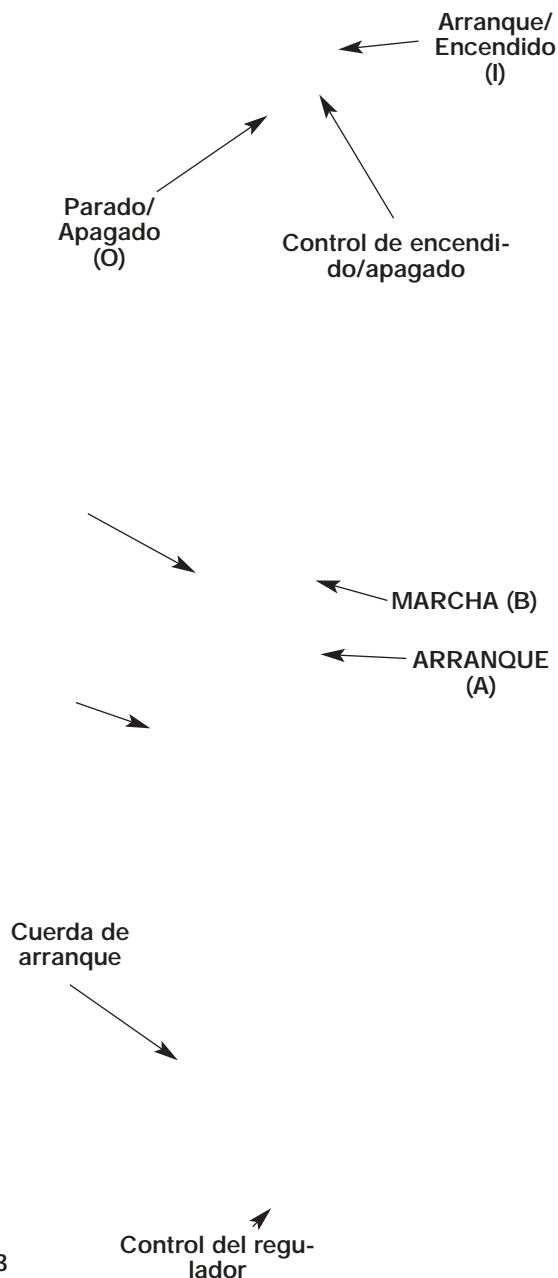


Fig. 5-3

## INSTRUCCIONES DE ARRANQUE



### ADVERTENCIA

Use esta unidad solamente en un lugar al aire libre con buena ventilación. Los vapores del escape de monóxido de carbono pueden ser mortíferos en un lugar cerrado.



### ADVERTENCIA

Evite arrancar la unidad accidentalmente. Colóquese en posición de inicio siempre que tire de la cuerda de arranque. Para evitar lesiones personales serias, el operador y la unidad deben estar en una posición estable al comenzar.

## INSTRUCCIONES DE ARRANQUE

1. Mezcle el combustible con el aceite. Llene el tanque de combustible con la mezcla de combustible y aceite. Vea la Sección 4, Combustible y aceite.
2. Ponga el Control de encendido y apagado en la posición **Arranque [I]** (Fig. 5-1).
3. Apriete y libere completamente la bombilla del cebador lentamente 5 a 7 veces. Se deberá sentir y ver el combustible en la bombilla (Fig. 5-2). Si no ha ingresado combustible en la bombilla, oprima tres veces más, o hasta que ingrese.
4. Ponga la manija del obturador en la posición **ARRANQUE (A)** (Fig. 5-2).
5. Con la unidad en el suelo, apriete el control del acelerador y manténgalo apretado. Tire la cuerda de arranque con brío (Fig. 5-3). Continúe tirando hasta que el motor pareciera que quiere arrancar (normalmente 2 a 5 tiradas).

**NOTA:** Apriete el control del regulador hasta que el motor haya arrancado y se haya calentado.

6. Coloque la manija del obturador en la posición **MARCHA (B)** (Fig. 5-2).
7. Tire la cuerda de arranque con brío 1 a 3 veces hasta que arranque el motor. (Fig. 5-3).
8. Si el motor no arranca, repita los pasos 4 a 7.

**NOTA:** Si el motor se ahoga mientras trata de arrancar, coloque la manija del obturador en la posición **MARCHA (B)**. Apriete el control del regulador. Tire la cuerda de arranque con brío. El motor deberá arrancar luego de tres (3) a ocho (8) tiradas.

9. Apriete el control del regulador para calentar el motor durante 5 a 10 segundos. Coloque la manija del obturador en la posición **MARCHA (B)** (Fig. 5-2).

**NOTA:** Usar el obturador es innecesario cuando se hace arrancar un motor caliente. Ponga el Control de encendido y apagado en la posición **ARRANQUE (I)** (Fig. 5-1), y la manija del obturador en la posición **MARCHA (B)** (Fig. 5-2).

## INSTRUCCIONES DE APAGADO

1. Saque la mano del control del regulador (Fig. 5-3). Deje que el motor funcione a marcha lenta.
2. Para apagar el motor, ponga el Control de encendido y apagado en la posición **PARADO [O]** (Fig. 5-1).

**NOTA:** Mantenga siempre la línea de corte completamente extendida. Es más difícil soltar línea al acortarse la línea de corte.

Cada vez que se golpea la cabeza, se suelta alrededor de 1 pulgada (25.4 mm.) de línea de corte. La cuchilla en la protección del accesorio de corte detendrá la línea en la longitud correcta si se suelta demasiada línea.

Para obtener mejores resultados, golpee la Bump Head sobre terreno limpio o tierra dura. Si intenta soltar la línea sobre el césped alto, el motor podrá ahogarse. Mantenga siempre la línea de corte completamente extendida. Es más difícil soltar línea al acortarse la línea de corte.

**NOTA:** No apoye la Bump Head sobre el suelo mientras la unidad esté en funcionamiento.



## PRECAUCION

No saque ni altere el ensamblaje de la cuchilla limitadora de línea. La longitud excesiva de la línea causará el recalentamiento del motor. Esto puede causar graves lesiones personales o daño a la unidad.

La línea puede cortarse por:

- Enredarse con un objeto extraño
- Fatiga normal de la línea
- Intentar cortar hierbas gruesas y leñosas
- Forzar la línea en objetos como paredes o postes de cercos.

## CONSEJOS PARA OBTENER MEJORES RESULTADOS AL RECORTAR

- El ángulo correcto para ubicar el accesorio de corte es paralelo al suelo.
- No fuerce el accesorio de corte. Permita que la punta de la línea realice el corte (en especial a lo largo de paredes). Si corta con más de la punta reducirá la eficacia del corte y puede sobrecargar el motor.
- Corte césped de más de 8 pulgadas (200 mm.) trabajando de arriba hacia abajo en pequeños incrementos para evitar el desgaste prematuro de la línea y el arrastre del motor.
- Corte de derecha a izquierda siempre que sea posible. Cortar hacia la izquierda mejora la eficiencia de la unidad. Los recortes salen arrojados en sentido contrario al operador.
- Mueva lentamente el recortador dentro y fuera del área de corte a la altura deseada. Realice movimientos ya sea de adelante hacia atrás y viceversa, o de lado a lado. El corte en longitudes más cortas produce mejores resultados.
- Recorte únicamente cuando el pasto y las hierbas estén secas.
- La vida de su línea de corte depende de:
  - Seguir todas las técnicas de corte indicadas anteriormente
  - El tipo de vegetación que corte
  - El lugar donde se corta

Por ejemplo, la línea se desgastará más rápido cuando corte contra un muro que cuando corte alrededor de un árbol.

Fig. 5-5

## COMO SOSTENER EL RECORTADOR



## ADVERTENCIA

Use siempre protección para sus ojos, audición, pies y cuerpo para reducir el riesgo de una lesión al operar esta unidad.

Antes de operar esta unidad, párese en posición de operación (Fig. 5-4). Verifique lo siguiente:

- El operador tiene protección ocular y ropa adecuada.
- El brazo derecho está levemente doblado, y la mano está sosteniendo el mango del eje.
- El brazo izquierdo está recto, y la mano está sosteniendo la manija.
- La unidad está debajo del nivel de la cintura.
- El accesorio de corte está paralelo al suelo y hace fácil contacto con la vegetación que va a ser cortada sin que el operador tenga que inclinarse.

## AJUSTE DE LA LONGITUD DE LA LINEA DE CORTE

El accesorio de corte Bump Head le permite soltar línea de corte sin apagar el motor. Para soltar más línea, golpee suavemente el accesorio de corte contra el suelo (Fig. 5-5) mientras opera el recortador a alta velocidad.



# Notas

# Notas

# Notas

## GARANTÍA LIMITADA DEL FABRICANTE PARA:



A continuación MTD expone una garantía limitada SOUTHWEST INC ("MTD") en relación con su nueva mercadería adquirida y utilizada en los Estados Unidos, sus posesiones y territorios.

MTD garantiza su producto en cuanto a defectos en el material y mano de obra por un período de dos ("2") años, comenzando a partir de la fecha de la compra original y, según su criterio, reparará o reemplazará sin costo alguno, cualquier parte que se detecte defectuosa en cuanto al material o mano de obra. Esta garantía limitada sólo se aplicará si este producto se ha manejado y mantenido de acuerdo al Manual del usuario que se adjunta al producto, y si no se le ha sometido a un uso erróneo, abuso, utilización comercial, negligencia, accidente, mantenimiento inadecuado, alteración, vandalismo, hurto, fuego, agua o daño debido a otro peligro o desastre natural. Cualquier daño ocasionado por la instalación o uso de cualquier accesorio o aparato eléctrico que MTD no autorice para su utilización con el(los) producto(s) a que este manual se refiere, anulará su garantía respecto a cualquier daño consecutivo.

Esta garantía se extiende por noventa (90) días a partir de la fecha de la compra original al detalle de cualquier producto MTD que se emplea para arrendar o con propósitos comerciales, o cualquier otro propósito que produzca una ganancia.

**CÓMO OBTENER SERVICIO:** El servicio de garantía se encuentra disponible, CON COMPROBANTE DE COMPRA A TRAVÉS DEL REPRESENTANTE DE SERVICIO AUTORIZADO EN SU LOCALIDAD. Para ubicar al representante de su área, por favor, revise las Páginas Amarillas o comuníquese con el Departamento de Servicio al Cliente de MTD SOUTHWEST INC llamando al 1-800-345-8746 o por correo a 550 N 54th Street, Chandler, Arizona 85226; en Canadá llame al 1-800-668-1238. No se aceptará ningún producto devuelto directamente a la fábrica, a menos que previamente el Departamento de Servicio al Cliente de MTD SOUTHWEST INC. haya extendido un permiso por escrito.

**Esta garantía limitada no proporciona cobertura en los siguientes casos:**

- A. Afinación, bujías, ajustes del carburador, filtros.
- B. Artículos desgastables, manijas de la defensa, carretes externos, conducto diluyente, bobina interna, polea de arranque, cables de arranque, banda de conducción.
- C. MTD no extiende garantía a productos vendidos o exportados fuera de Estados Unidos, sus posesiones y territorios, excepto aquellos vendidos a través de canales autorizados para la distribución de exportación de MTD.

MTD se reserva el derecho a cambiar o mejorar el diseño de cualquier Producto TROY-BILT® sin asumir cualquier obligación en cuanto a modificar cualquier producto previamente fabricado.

Ninguna garantía implícita, incluyendo cualquier garantía implícita de comercio o conveniencia para un propósito particular, se aplica después del período pertinente de la garantía explícita escrita que aparece anteriormente en cuanto a las partes como se identifican. Ninguna otra garantía o garante explícito, ya sea escrito u oral, excepto la que se menciona arriba, entregada por cualquier persona o entidad, incluyendo comerciante o detallista, en cuanto a cualquier producto comprometerá a MTD. Durante el período de garantía, los recursos exclusivos se refieren a reparar o reemplazar el producto como se expresa arriba. (Algunos estados no permiten restricciones en cuanto a la duración de una garantía implícita, por lo tanto la restricción anterior podría no aplicar a usted.)

Las estipulaciones expresadas en esta garantía proporcionan el único y exclusivo recurso que se presenta a partir de las ventas. MTD no será responsable por pérdidas o daños incidentales o consecuentes incluyendo, sin restricción, gastos incurridos por sustitución o reemplazo de servicios de cuidado de césped, por transporte o por gastos relacionados, o por gastos de arriendo para reemplazar temporalmente un producto garantizado. (Algunos estados no permiten restricciones en cuanto a la duración de la garantía implícita, por lo tanto las restricciones anteriores podrían no aplicar a usted.)

En ningún caso cualquier recuperación será mayor que la cantidad del precio de compra del producto vendido. La alteración de las características de seguridad del producto invalidará esta garantía. Usted asume el riesgo y responsabilidad en caso de pérdida, daño, o perjuicio a usted y a su propiedad, y/o a otros y su propiedad que surja a partir del uso erróneo o incapacidad para utilizar el producto.

Esta garantía limitada se extenderá tan sólo al comprador original, arrendatario original o aquella persona que lo recibió como regalo.

**Cómo las leyes estatales se relacionan con esta garantía:** esta garantía le proporciona derechos legales específicos, y usted podría contar con otros derechos los cuales varían de acuerdo al estado en que se encuentre.

Para ubicar a su representante más cercano llame al 1-800-345-8746 en Estados Unidos o 1-800-668-1238 en Canadá

**MTD Southwest Inc**  
550 N. 54th Street  
Chandler, AZ 85226 U.S.A.

## Free Manuals Download Website

<http://myh66.com>

<http://usermanuals.us>

<http://www.somanuals.com>

<http://www.4manuals.cc>

<http://www.manual-lib.com>

<http://www.404manual.com>

<http://www.luxmanual.com>

<http://aubethermostatmanual.com>

Golf course search by state

<http://golfingnear.com>

Email search by domain

<http://emailbydomain.com>

Auto manuals search

<http://auto.somanuals.com>

TV manuals search

<http://tv.somanuals.com>