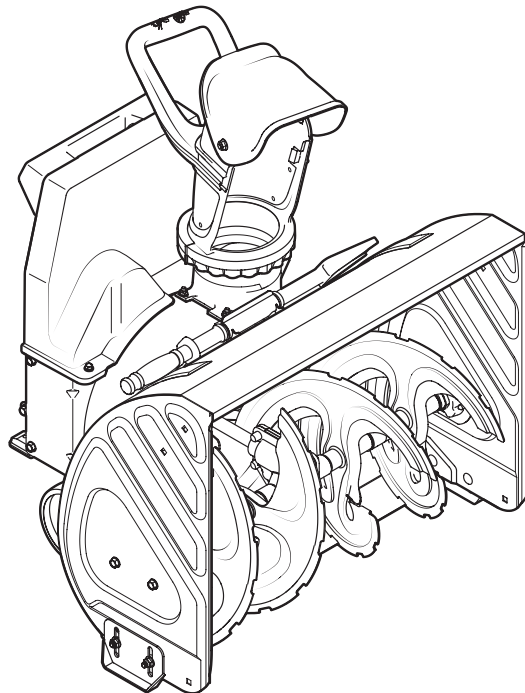




OPERATOR'S MANUAL



FLEX™ Snow Thrower Attachment — 23AABA6X711

⚠ WARNING

**READ AND FOLLOW ALL SAFETY RULES AND INSTRUCTIONS IN THIS MANUAL
BEFORE ATTEMPTING TO OPERATE THIS MACHINE.
FAILURE TO COMPLY WITH THESE INSTRUCTIONS MAY RESULT IN PERSONAL INJURY.**

TROY-BILT LLC, P.O. BOX 361131 CLEVELAND, OHIO 44136-0019

Thank You

Thank you for purchasing the Troy-Bilt FLEX™ Snow Throwing Attachment. It was carefully engineered to provide excellent performance when properly operated and maintained.

Please read this entire manual prior to operating the equipment. It instructs you how to safely and easily set up, operate and maintain your machine. Please be sure that you, and any other persons who will operate the machine, carefully follow the recommended safety practices at all times. Failure to do so could result in personal injury or property damage.

All information in this manual is relative to the most recent product information available at the time of printing. Review this manual frequently to familiarize yourself with the machine, its features and operation.

Please be aware that this Operator's Manual may cover a range of product specifications for various models. Characteristics and features discussed and/or illustrated in this manual may not be applicable to all models. We reserve the right to change product specifications, designs and equipment without notice and without incurring obligation.

If you have any problems or questions concerning the machine, phone an authorized Troy-Bilt service dealer or contact us directly. Troy-Bilt's Customer Support telephone numbers, website address and mailing address can be found on this page. We want to ensure your complete satisfaction at all times.

Throughout this manual, all references to *right* and *left* side of the machine are observed from the operating position

Table of Contents

Safe Operation Practices	3	Service	15
Assembly & Set-Up	7	Troubleshooting	17
Controls	10	Replacement Parts	18
Operation	11	Warranty	22
Maintenance & Adjustments	13	Spanish	23

Record Product Information

Before setting up and operating your new equipment, please locate the model plate on the equipment and record the information in the provided area to the right. You can locate the model plate by looking at the rear mounting plate of the snow thrower attachment WITHOUT the base unit attached. This information will be necessary, should you seek technical support via our web site, Customer Support Department, or with a local authorized service dealer.

MODEL NUMBER

--	--	--	--	--	--	--	--	--	--	--	--

SERIAL NUMBER

--	--	--	--	--	--	--	--	--	--	--	--

Customer Support

Please do NOT return the machine to the retailer or dealer without first contacting the Customer Support Department.

If you have difficulty assembling this product or have any questions regarding the controls, operation, or maintenance of this machine, you can seek help from the experts. Choose from the options below:

- ◇ Visit us on the web at www.troybilt.com



See How-to Maintenance and Parts Installation Videos at www.troybilt.com/tutorials

- ◇ Call a Customer Support Representative at (800) 828-5500 or (330) 558-7220

- ◇ Write to Troy-Bilt LLC • P.O. Box 361131 • Cleveland, OH • 44136-0019



WARNING! This symbol points out important safety instructions which, if not followed, could endanger the personal safety and/or property of yourself and others. Read and follow all instructions in this manual before attempting to operate this machine. Failure to comply with these instructions may result in personal injury.

When you see this symbol. **HEED ITS WARNING!**

CALIFORNIA PROPOSITION 65



WARNING! Engine Exhaust, some of its constituents, and certain vehicle components contain or emit chemicals known to State of California to cause cancer and birth defects or other reproductive harm.



DANGER: This machine was built to be operated according to the safe operation practices in this manual. As with any type of power equipment, carelessness or error on the part of the operator can result in serious injury. This machine is capable of amputating fingers, hands, toes and feet and throwing foreign objects. Failure to observe the following safety instructions could result in serious injury or death.

Training

1. Read, understand, and follow all instructions on the machine and in the manual(s) before attempting to assemble and operate. Keep this manual in a safe place for future and regular reference and for ordering replacement parts.
2. Be familiar with all controls and their proper operation. Know how to stop the machine and disengage them quickly.
3. Never allow children under 14 years of age to operate this machine. Children 14 and over should read and understand the instructions and safe operation practices in this manual and on the machine and be trained and supervised by an adult.
4. Never allow adults to operate this machine without proper instruction.
5. Thrown objects can cause serious personal injury. Plan your snow-throwing pattern to avoid discharge of material toward roads, bystanders and the like.
6. Keep bystanders, pets and children at least 75 feet from the machine while it is in operation. Stop machine if anyone enters the area.
7. Exercise caution to avoid slipping or falling, especially when operating in reverse.

Preparation

Thoroughly inspect the area where the equipment is to be used. Remove all doormats, newspapers, sleds, boards, wires and other foreign objects, which could be tripped over or thrown by the auger/impeller.

1. Always wear safety glasses or eye shields during operation and while performing an adjustment or repair to protect your eyes. Thrown objects which ricochet can cause serious injury to the eyes.
2. Do not operate without wearing adequate winter outer garments. Do not wear jewelry, long scarves or other loose clothing, which could become entangled in moving parts. Wear footwear which will improve footing on slippery surfaces.
3. Use a grounded three-wire extension cord and receptacle for all machines with electric start engines.
4. Adjust auger housing height to clear gravel or crushed rock surfaces.
5. Disengage all control levers before starting the engine.
6. Never attempt to make any adjustments while engine is running, except where specifically recommended in the operator's manual.
7. Let engine and machine adjust to outdoor temperature before starting to clear snow.

Safe Handling of Gasoline

To avoid personal injury or property damage use extreme care in handling gasoline. Gasoline is extremely flammable and the vapors are explosive. Serious personal injury can occur when gasoline is spilled on yourself or your clothes which can ignite. Wash your skin and change clothes immediately.

- a. Use only an approved gasoline container.
 - b. Extinguish all cigarettes, cigars, pipes and other sources of ignition.
 - c. Never fuel machine indoors.
 - d. Never remove gas cap or add fuel while the engine is hot or running.
 - e. Allow engine to cool at least two minutes before refueling.
 - f. Never over fill fuel tank. Fill tank to no more than ½ inch below bottom of filler neck to provide space for fuel expansion.
 - g. Replace gasoline cap and tighten securely.
 - h. If gasoline is spilled, wipe it off the engine and equipment. Move machine to another area. Wait 5 minutes before starting the engine.
 - i. Never store the machine or fuel container inside where there is an open flame, spark or pilot light (e.g. furnace, water heater, space heater, clothes dryer etc.).
 - j. Allow machine to cool at least 5 minutes before storing.
 - k. Never fill containers inside a vehicle or on a truck or trailer bed with a plastic liner. Always place containers on the ground away from your vehicle before filling.
 - l. If possible, remove gas-powered equipment from the truck or trailer and refuel it on the ground. If this is not possible, then refuel such equipment on a trailer with a portable container, rather than from a gasoline dispenser nozzle.
 - m. Keep the nozzle in contact with the rim of the fuel tank or container opening at all times until fueling is complete. Do not use a nozzle lock-open device.
6. Do not operate machine while under the influence of alcohol or drugs.
 7. Muffler and engine become hot and can cause a burn. Do not touch. Keep children away.
 8. Exercise extreme caution when operating on or crossing gravel surfaces. Stay alert for hidden hazards or traffic.
 9. Exercise caution when changing direction and while operating on slopes. Do not operate on steep slopes.
 10. Plan your snow-throwing pattern to avoid discharge towards windows, walls, cars etc. Thus, avoiding possible property damage or personal injury caused by a ricochet.
 11. Never direct discharge at children, bystanders and pets or allow anyone in front of the machine.
 12. Do not overload machine capacity by attempting to clear snow at too fast of a rate.
 13. Never operate this machine without good visibility or light. Always be sure of your footing and keep a firm hold on the handles. Walk, never run.
 14. Disengage power to the auger/impeller when transporting or not in use.
 15. Never operate machine at high transport speeds on slippery surfaces. Look down and behind and use care when backing up.
 16. If the machine should start to vibrate abnormally, stop the engine, disconnect the spark plug wire and ground it against the engine. Inspect thoroughly for damage. Repair any damage before starting and operating.
 17. Disengage all control levers and stop engine before you leave the operating position (behind the handles). Wait until the auger/impeller comes to a complete stop before unclogging the chute assembly, making any adjustments, or inspections.
 18. Never put your hand in the discharge or collector openings. Always use the clean-out tool provided to unclog the discharge opening. Do not unclog chute assembly while engine is running. Shut off engine and remain behind handles until all moving parts have stopped before unclogging.
 19. Use only attachments and accessories approved by the manufacturer (e.g. wheel weights, tire chains, cabs etc.).
 20. When starting engine, pull cord slowly until resistance is felt, then pull rapidly. Rapid retraction of starter cord (kickback) will pull hand and arm toward engine faster than you can let go. Broken bones, fractures, bruises or sprains could result.
 21. If situations occur which are not covered in this manual, use care and good judgment. Contact Customer Support for assistance and the name of your nearest servicing dealer.

Operation

1. Do not put hands or feet near rotating parts, in the auger/impeller housing or chute assembly. Contact with the rotating parts can amputate hands and feet.
2. The auger/impeller control lever is a safety device. Never bypass its operation. Doing so makes the machine unsafe and may cause personal injury.
3. The control levers must operate easily in both directions and automatically return to the disengaged position when released.
4. Never operate with a missing or damaged chute assembly. Keep all safety devices in place and working.
5. Never run an engine indoors or in a poorly ventilated area. Engine exhaust contains carbon monoxide, an odorless and deadly gas.

Clearing a Clogged Discharge Chute

Hand contact with the rotating impeller inside the discharge chute is the most common cause of injury associated with snow throwers. Never use your hand to clean out the discharge chute.

To clear the chute:

1. SHUT THE ENGINE OFF!
2. Wait 10 seconds to be sure the impeller blades have stopped rotating.
3. Always use a clean-out tool, not your hands.

Maintenance & Storage

1. Never tamper with safety devices. Check their proper operation regularly. Refer to the maintenance and adjustment sections of this manual.
2. Before cleaning, repairing, or inspecting machine disengage all control levers and stop the engine. Wait until the auger/impeller come to a complete stop. Disconnect the spark plug wire and ground against the engine to prevent unintended starting.
3. Check bolts and screws for proper tightness at frequent intervals to keep the machine in safe working condition. Also, visually inspect machine for any damage.
4. Do not change the engine governor setting or over-speed the engine. The governor controls the maximum safe operating speed of the engine.
5. Snow thrower shave plates and skid shoes are subject to wear and damage. For your safety protection, frequently check all components and replace with original equipment manufacturer's (OEM) parts only. "Use of parts which do not meet the original equipment specifications may lead to improper performance and compromise safety!"
6. Check control levers periodically to verify they engage and disengage properly and adjust, if necessary. Refer to the adjustment section in this operator's manual for instructions.
7. Maintain or replace safety and instruction labels, as necessary.
8. Observe proper disposal laws and regulations for gas, oil, etc. to protect the environment.
9. Prior to storing, run machine a few minutes to clear snow from machine and prevent freeze up of auger/impeller.
10. Never store the machine or fuel container inside where there is an open flame, spark or pilot light such as a water heater, furnace, clothes dryer etc.
11. Always refer to the operator's manual for proper instructions on off-season storage.
12. Check fuel line, tank, cap, and fittings frequently for cracks or leaks. Replace if necessary.
13. Do not crank engine with spark plug removed.

14. According to the Consumer Products Safety Commission (CPSC) and the U.S. Environmental Protection Agency (EPA), this product has an *Average Useful Life* of seven (7) years, or 60 hours of operation. At the end of the *Average Useful Life* have the machine inspected annually by an authorized service dealer to ensure that all mechanical and safety systems are working properly and not worn excessively. Failure to do so can result in accidents, injuries or death.

Do not modify engine

To avoid serious injury or death, do not modify engine in any way. Tampering with the governor setting can lead to a runaway engine and cause it to operate at unsafe speeds. Never tamper with factory setting of engine governor.

Notice Regarding Emissions

Engines which are certified to comply with California and federal EPA emission regulations for SORE (Small Off Road Equipment) are certified to operate on regular unleaded gasoline, and may include the following emission control systems: Engine Modification (EM), Oxidizing Catalyst (OC), Secondary Air Injection (SAI) and Three Way Catalyst (TWC) if so equipped.

Spark Arrestor






WARNING! This machine is equipped with an internal combustion engine and should not be used on or near any unimproved forest-covered, brush covered or grass-covered land unless the engine's exhaust system is equipped with a spark arrestor meeting applicable local or state laws (if any).

If a spark arrestor is used, it should be maintained in effective working order by the operator. In the State of California the above is required by law (Section 4442 of the California Public Resources Code). Other states may have similar laws. Federal laws apply on federal lands.

A spark arrestor for the muffler is available through your nearest engine authorized service dealer or contact the service department, P.O. Box 361131 Cleveland, Ohio 44136-0019.

Safety Symbols

This page depicts and describes safety symbols that may appear on this product. Read, understand, and follow all instructions on the machine before attempting to assemble and operate.

Symbol	Description
	READ THE OPERATOR'S MANUAL(S) Read, understand, and follow all instructions in the manual(s) before attempting to assemble and operate
	WARNING— ROTATING AUGER Avoid injury from rotating auger. Keep hands, feet, and clothing away.
	WARNING— ROTATING BLADES Keep hands out of inlet and discharge openings while machine is running. There are rotating blades inside



WARNING! Your Responsibility—Restrict the use of this power machine to persons who read, understand and follow the warnings and instructions in this manual and on the machine.

SAVE THESE INSTRUCTIONS!

Assembly

Installing the Discharge Chute

A discharge chute, wire spring, and chute band, have been included with this attachment. Please assemble them now by installing the discharge chute onto the snow thrower by following these steps:

1. Install the wire spring into the discharge opening of the snow thrower by inserting both ends into the slots provided. See Figure 3-1 for proper location and orientation of the spring. The inset of Figure 3-1 shows the spring properly installed with the ends fitted into the slots provided.

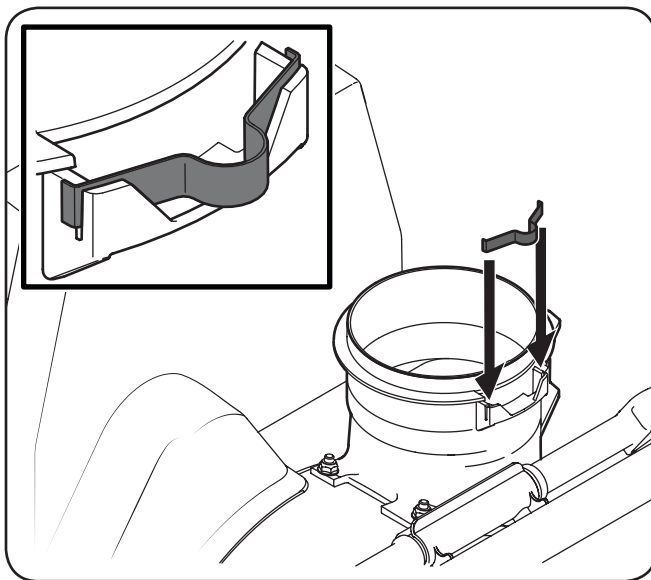


Figure 3-1

2. Install the discharge chute, packed loose in the carton, onto the snow thrower attachment, as shown in Figure 3-3.

Note: Position the discharge chute at an angle to the right for ease of installation.

3. Clip the discharge chute handle onto the discharge chute, as shown in Figure 3-2.

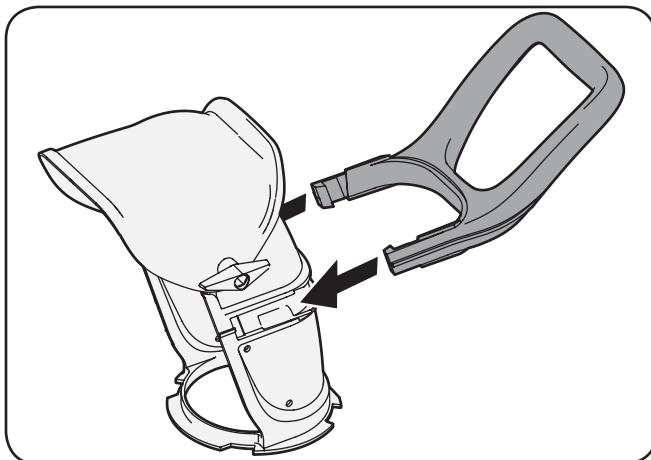


Figure 3-2

Note: Place a dab of white lithium grease (included with this attachment) onto the chute ring, chute spring, and chute adapter ring prior to assembly.

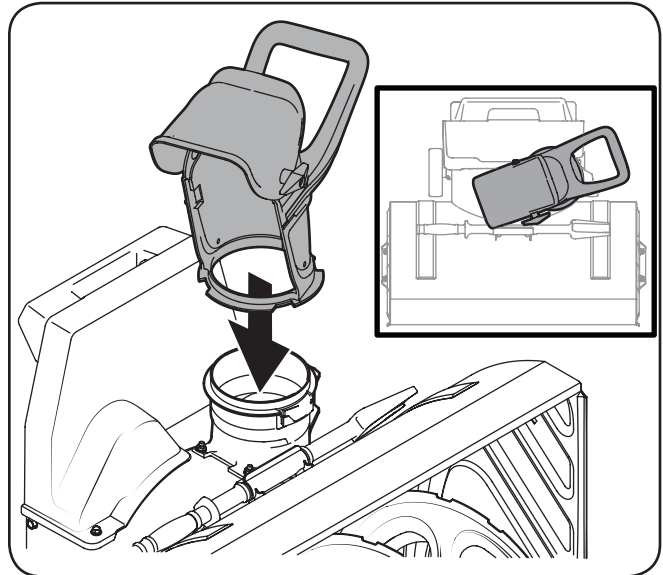


Figure 3-3

4. Install the chute band as shown in Figure 3-4. With the discharge chute positioned to the right as shown, install the chute band by lining up the notches in the front with the band, and making certain to fit the discharge chute inside the channel of the chute band, as detailed in the inset of Figure 3-4.

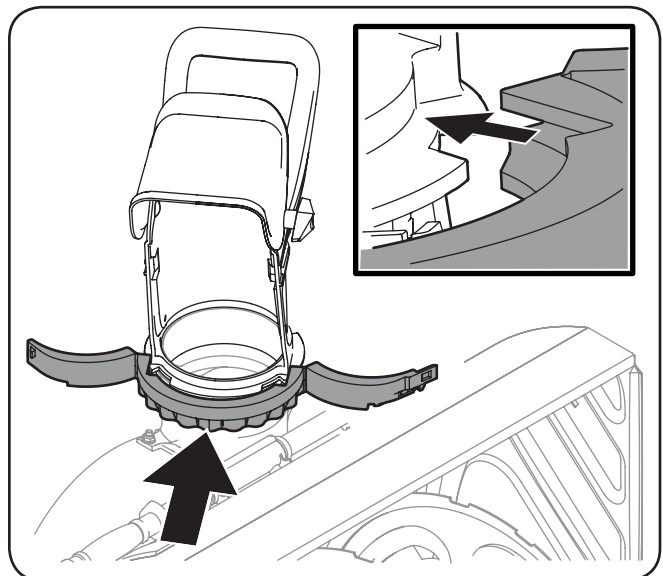


Figure 3-4

- Secure the chute band to itself by first aligning the two snap-fit features and pushing the two ends (1 & 2) together as shown. Be sure both tabs on the two ends engage each other, as shown in the top left inset of Figure 3-5. When properly assembled, the chute band will appear as in the top right inset of Figure 3-5.

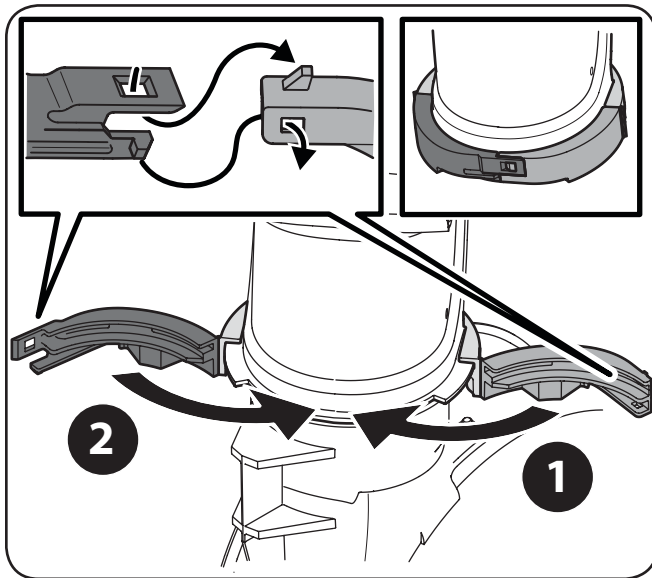


Figure 3-5

IMPORTANT: If you need to remove the chute for any reason, a screw driver must be used to release the locking tabs shown above in the left inset of Figure 3-5.

Note: If the installation has been completed properly, a click! click! click! sound will be heard when rotating the chute to the left and right. See Figure 3-6.

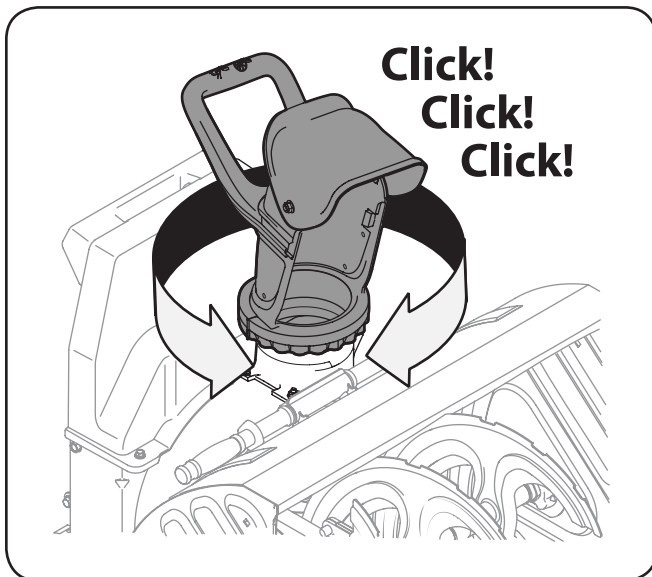


Figure 3-6

Set-up Adjust Skid Shoes

The snow thrower skid shoes are adjusted upward at the factory for shipping purposes. Adjust them downward, if desired, prior to operating the snow thrower attachment.



CAUTION : It is not recommended that you operate this snow thrower attachment on gravel as it can easily pick up and throw loose gravel, causing personal injury or damage to the snow thrower and surrounding property.

- For close snow removal on a smooth surface, raise skid shoes higher on the auger housing.
- Use a middle or lower position when the area to be cleared is uneven, such as a gravel driveway

NOTE: If you choose to operate the snow thrower on a gravel surface, keep the skid shoes in position for maximum clearance between the ground and the shave plate.



CAUTION: Operating a snow thrower equipped with steel skid shoes may result in damage to natural stone paver surfaces (e.g. sandstone, bluestone, limestone). Refer to the Replacement Parts or Attachments & Accessories sections for information on available polymer skid shoes.

To adjust the skid shoes:

- Loosen the four hex nuts (two on each side) and carriage bolts. Move skid shoes to desired position. See Figure 3-7.
- Make certain the entire bottom surface of skid shoe is against the ground to avoid uneven wear on the skid shoes.
- Retighten nuts and bolts securely.

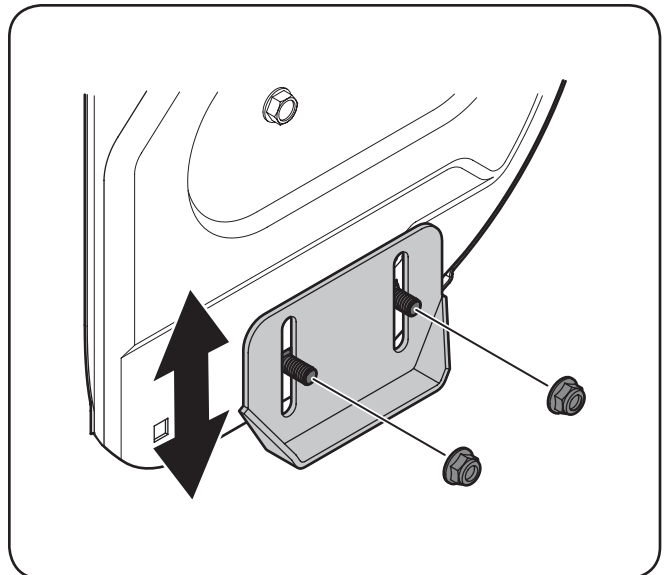


Figure 3-7

Discharge Chute

The position of the upper discharge chute can be adjusted to control the distance that the discharged snow will be thrown, and the direction at which it will be discharged. Follow these steps to adjust the discharge chute:

1. Loosen the wing knob on the upper chute, adjust the chute to desired operating position.
2. Tighten the wing knob on the upper chute making sure the carriage bolt on the inside of the discharge chute is correctly positioned. Refer to Figure 3-8.

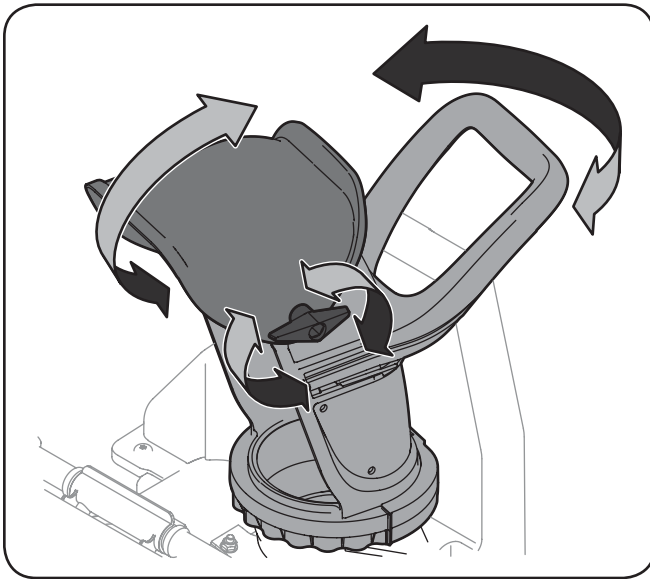


Figure 3-8

3. To adjust the direction that the snow will be thrown, use the handle on the upper discharge chute to control the direction of the discharged snow. Refer back to Figure 3-8.

Shear Pins

A pair of replacement auger shear pins and bow tie cotter pins are included with this snow thrower attachment. See Figure 3-9. Store them in a safe place until needed.

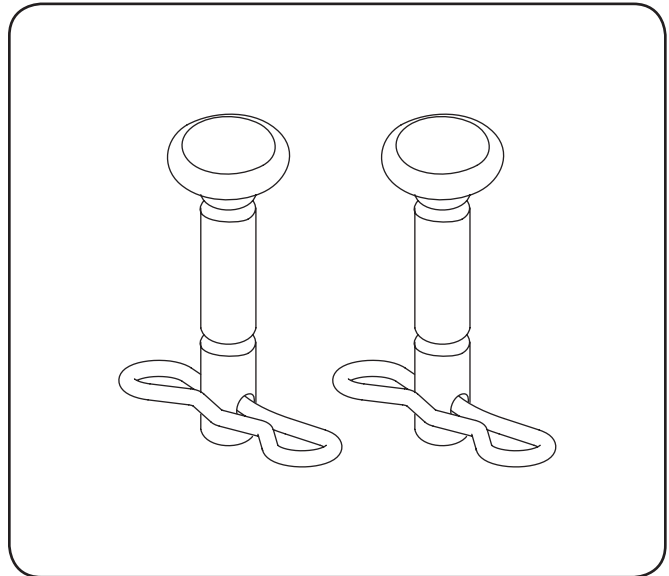


Figure 3-9

Chute Clean-Out Tool

The chute clean-out tool is fastened to the top of the auger housing with a mounting clip and a cable tie at the factory. Cut the cable tie before operating the snow thrower. See Figure 3-10.

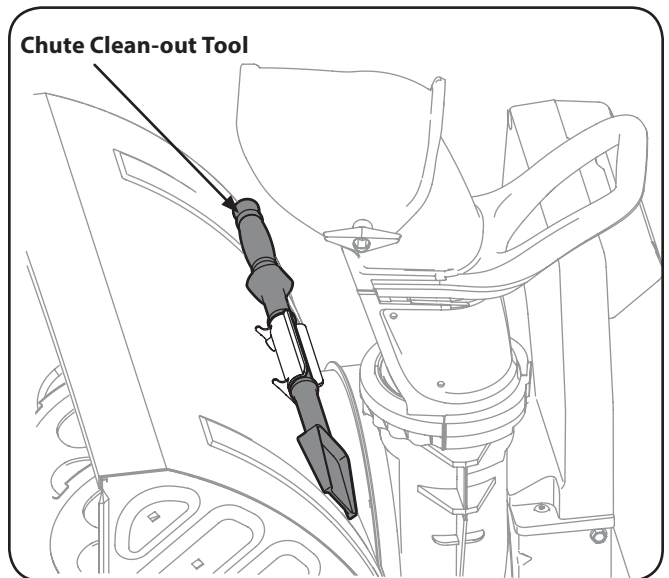


Figure 3-10

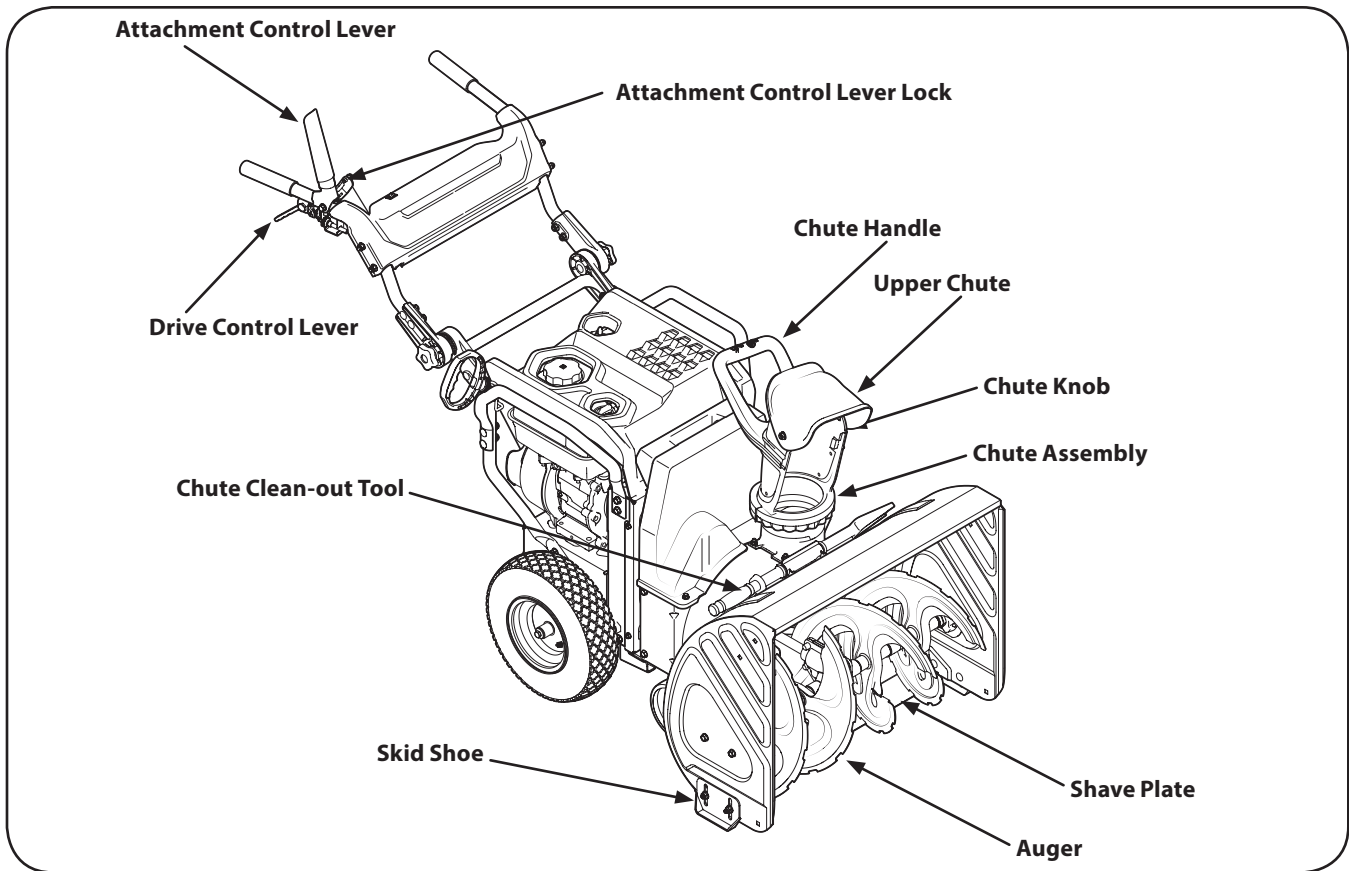


Figura 4-1

Engine

Refer to the FLEX™ Base Unit Operator's Manual for details regarding all engine-related controls and features.

Drive Control Lever

This lever propels the entire machine forward.

Attachment Control Lever

Squeeze the auger control against the upper handle to engage the augers; release to disengage the augers.

Auger

When engaged, the auger's rotation draw snow into the auger housing and throws it out the discharge chute.

Chute Assembly

Snow drawn into the auger housing is discharged out of the chute assembly

Chute Handle

The direction of snow throwing corresponds to the direction of the chute opening. Use the chute handle to turn the chute assembly in the direction you wish to throw the snow.

Chute Knob

The distance snow is thrown can be adjusted by either raising or lowering the upper chute. Loosen the chute knob on the side of the upper chute to adjust. Pivot the upper chute to desired position, and retighten the chute knob.

Shave Plate

The shave plate maintains contact with pavement as the snow thrower is propelled, allowing snow close to pavement's surface to be discharged.

Skid Shoes

Position the skid shoes based on surface conditions. Adjust upward for hard-packed snow. Adjust downward when operating on gravel or crushed rock surfaces. See the Assembly & Setup section for details on adjusting the skid shoes.

Chute Clean-Out Tool

The chute clean-out tool is conveniently fastened to the rear of the auger housing with a mounting clip. It is used to dislodge and scoop any snow and ice which has formed in and near the chute assembly.

Starting The Engine

Refer to the FLEX™ Power Base's operator's manual for engine starting and operating instructions.

Couple Snow Thrower Attachment with Power Base

1. With the kickstand UP on the FLEX™ Power Base, as shown in Figure 5-1, roll it over to the snow thrower attachment.

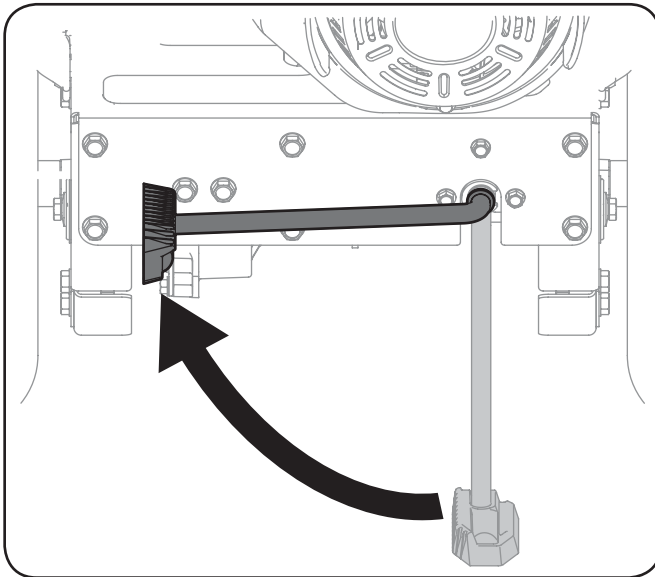


Figure 5-1

2. Tip the FLEX™ Power Base forward, engaging the top mounting tab with the mounting handle on the snow thrower attachment, see Figure 5-2.

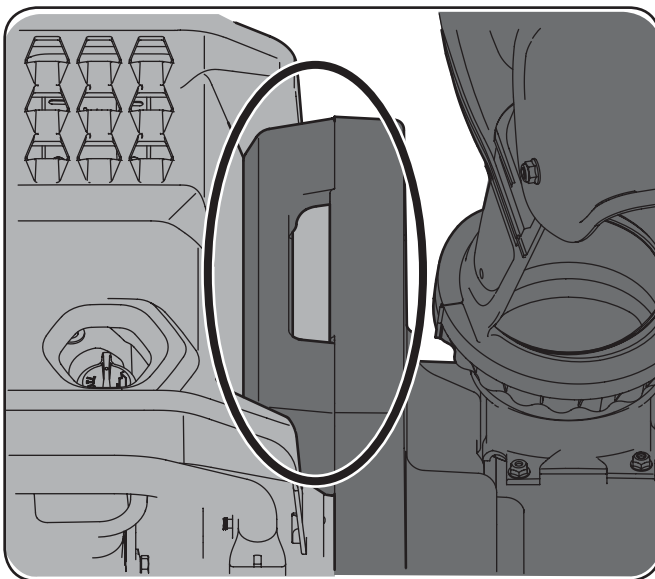


Figure 5-2

3. Once the top mount is engaged (1), and with both hands on the handle grips, tip the unit backwards somewhat swiftly to engage the bottom mounts (2). See Figure 5-3.

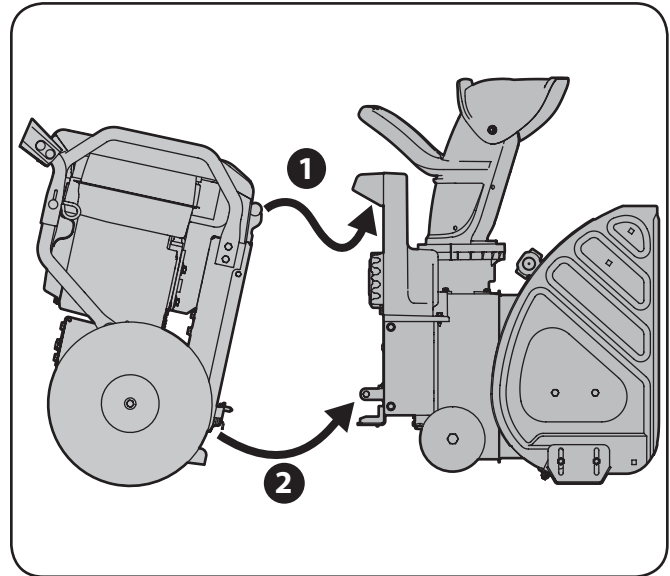


Figure 5-3

Note: The operator will be able to hear the lower mounts engage and lock when coupled properly.

To Uncouple the Snow Thrower Attachment from Power Base:

Fully stop the power unit engine before attempting to perform any maintenance steps or uncoupling of the attachment. Never attempt to uncouple the power base from the snow thrower attachment WITH the engine running.



WARNING! Always turn off the FLEX™ Power Base engine and remove the key prior to attempting to replace the shear pins or uncoupling of the power base from the attachment.

1. Put the kickstand down.
2. Tip the FLEX™ Power Base forward to disengage the bottom mounts, then the top mount.
3. Move the FLEX™ Power Base away from the snow thrower attachment.

Note: With the kickstand deployed in the downward (unlocking) position, the FLEX™ Power Base will rest comfortably in a parked position.

To Engage Drive

1. To engage the drive, squeeze the Drive Control Lever completely up against the upper handle to engage the wheels. To stop the forward motion, release the drive control.

Note: This Drive Control Lever is a variable speed drive control. Pulling the drive lever all the way in will give the operator full speed, however full speed should not be achieved for some operations, such as during snow throwing.

To Engage Augers

1. To engage the augers, push in on the Attachment Control Lever Safety Lock button (1 in Figure 5-4).
2. Squeeze the Attachment Control Lever completely against the upper handle (2). To stop the augers, release handle.

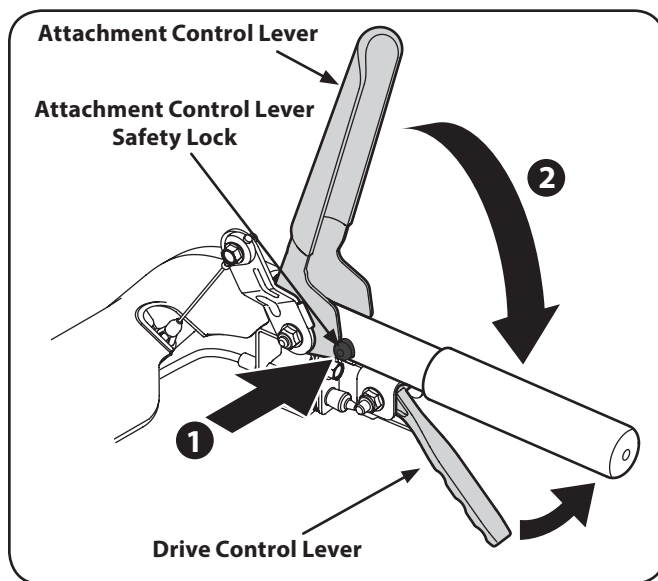


Figure 5-4

Shear Pins

The augers are secured to the spiral shaft with four shear pins and cotter pins. If the auger should strike a foreign object or ice jam, the snow thrower is designed so that the pins may shear. See the Service Section later in this manual for instructions on replacing the shear pins.

Chute Clean-Out Tool



WARNING! Never use your hands to clear a clogged chute assembly. Shut off engine and remain behind handles until all moving parts have stopped before unclogging.

The chute clean-out tool is conveniently fastened to the rear of the auger housing with a mounting clip. Should snow and ice become lodged in the chute assembly during operation, proceed as follows to safely clean the chute assembly and chute opening:

1. Release both the Attachment Control Lever and the Drive Control Lever.

2. Shut off engine as instructed in the engine manual.
3. Remove the clean-out tool from the clip which secures it to the rear of the auger housing.
4. Use the shovel-shaped end of the clean-out tool to dislodge and scoop any snow and ice which has formed in and near the chute assembly.
5. Refasten the clean-out tool to the mounting clip on the rear of the auger housing, start the snow thrower's engine as instructed in the engine manual.

While standing in the operator's position (behind the snow thrower), engage the Attachment Control Lever for a few seconds to clear any remaining snow and ice from the chute assembly.

Installing the Snow Sock for Additional Traction

Two snow socks have been included with this snow thrower attachment to provide additional traction when moving snow. Follow these steps to install the snow socks:

1. Fit a snow sock over the top of the wheel on the FLEX™ Power Base, as shown in Figure 5-5, then work the rest of it around the bottom of the wheel.
2. Repeat on the other side.

Note: Snow socks are designed for use during snow removal only, and are not meant to be used with any other FLEX attachments.

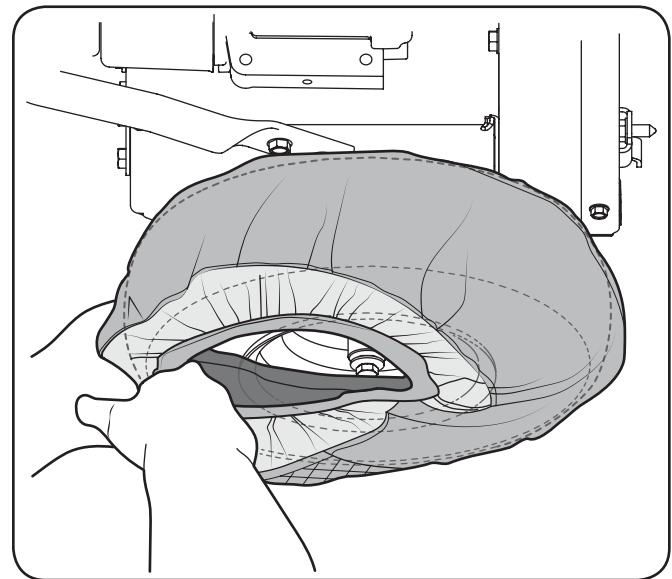


Figure 5-5

Maintenance

General Recommendations

- Always observe safety rules when performing any type of maintenance.
- The warranty on this snow thrower does not cover items that have been subjected to operator abuse or negligence. To receive full value from the warranty, operator must maintain the snow thrower as instructed in this manual.
- Periodically check all fasteners and hardware to make sure these are tight.



WARNING! Before servicing, repairing, lubricating, or inspecting, disengage all controls and stop engine. Wait until all moving parts have come to a complete stop. Disconnect spark plug wire and ground it against the engine to prevent unintended starting. Always wear safety glasses during operation or while performing any adjustments or repairs.

Engine

IMPORTANT: Refer to the FLEX™ Power Base operator's manual for complete engine servicing instructions.

Check V-Belts

Follow instructions below to check condition of drive belts every 50 hours of operation.

1. Remove the plastic belt cover on the snow thrower attachment by removing the two self-tapping screws that secure it. See Figure 6-1.

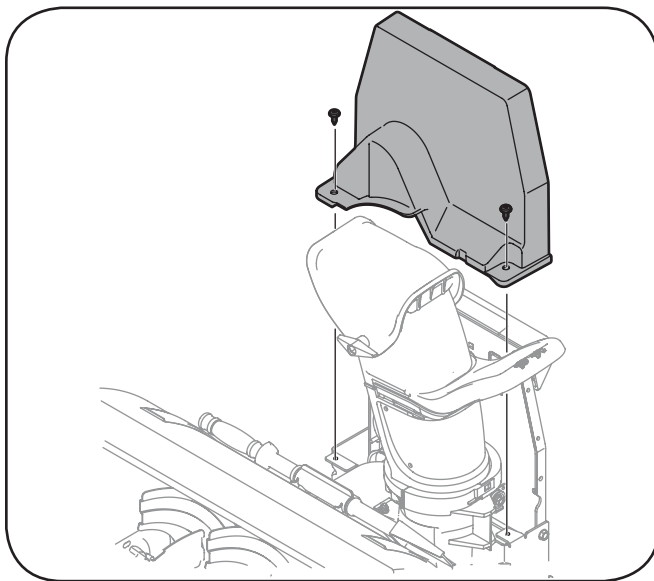


Figure 6-1

2. Visually inspect for frayed, cracked, or excessively worn out belt. Replace, if necessary, following instructions in the Service section of this manual.

Adjusting the Auger Drive Cable

After periods of extended use, and during the break-in period, it may be necessary to adjust the auger drive cable. Follow these simple steps to adjust the auger drive cable:

1. Uncouple the power base and the snow thrower attachment from each other.



WARNING! Always turn off the FLEX™ Power Base engine and remove the key prior to attempting to uncouple of the power base from the attachment.

2. Remove the plastic belt cover on the snow thrower attachment by removing the two self-tapping screws that secure it. Refer back to Figure 6-1.
3. Looking at the rear mounting plate of the snow thrower attachment, loosen (*but do not remove*) the left side hex screw shown in Figure 6-2.

Note: The other screw (to the right of the hex screw (*previously loosened*)) is a shoulder bolt that does not need to be loosened.

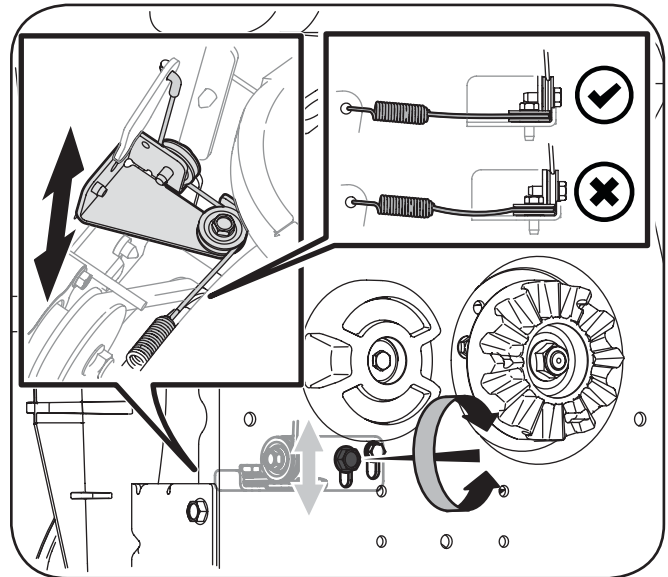


Figure 6-2

4. On the front side of the mounting plate, move the cable tension guide up or down to remove any slack in the auger drive cable. See the left inset of Figure 6-2.

Note: Be sure that the adjustment does not apply any pressure on the cable and the actuator arm. This adjustment is simply to remove the excess slack in the auger cable as shown in the right handed inset of Figure 6-2.

5. Tighten the left hand side hex screw to complete this adjustment.

Shave Plate and Skid Shoes

The shave plate and skid shoes on the bottom of the snow thrower are subject to wear. These should be checked periodically and replaced when necessary.

To replace skid shoes:

1. Remove the carriage bolts and nuts securing each skid shoe to the auger housing, See Figure 6-3.

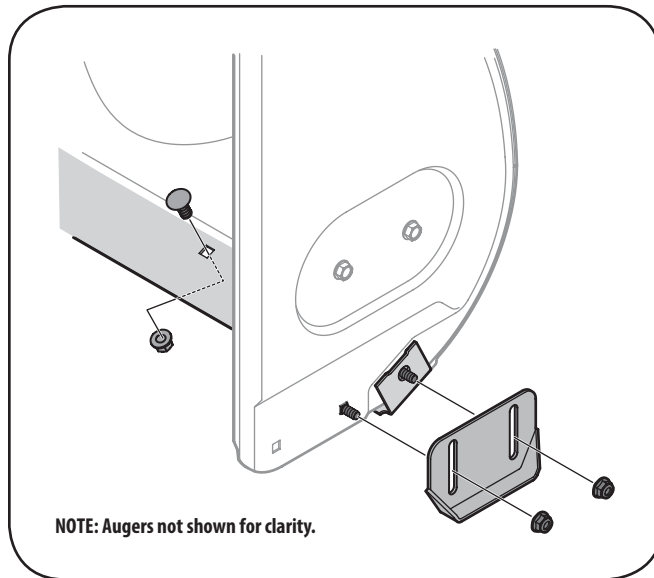


Figure 6-3

2. Reassemble new skid shoes with hardware just removed. Make sure the skid shoes are adjusted to be level.
3. Note: Refer to the Assembly & Set-Up section for information regarding adjusting the skid shoes.

To remove shave plate:

1. Remove both skid shoes and hardware including carriage bolts and nuts which attach shave plate to the snow thrower housing. For location of shave plate, see Figure 6-3.
2. Reassemble new shave plate, making sure heads of the carriage bolts are to the inside of the housing.
3. Reinstall skid shoes. Tighten securely.

Off-Season Storage

If the snow thrower attachment will not be used for 30 days or longer, or if it is the end of the snow season when the last possibility of snow is gone, the equipment needs to be stored properly. Follow storage instructions below to ensure top performance from the snow thrower for many more years.

1. Store the equipment in a clean, dry area.
2. If storing the snow thrower in an unventilated area, rustproof the machine using a light oil or silicone to coat the snow thrower.
3. Clean the exterior of the snow thrower.

Preparing The Engine

IMPORTANT: Refer to the FLEX™ Power Base operator's manual for complete engine servicing instructions.

Lubrication

Auger Shaft

At least once a season, remove the shear pins from the auger shaft. Spray lubricant inside the shaft and around the spacers and the flange bearings found at either end of the shaft. See Figure 6-4.

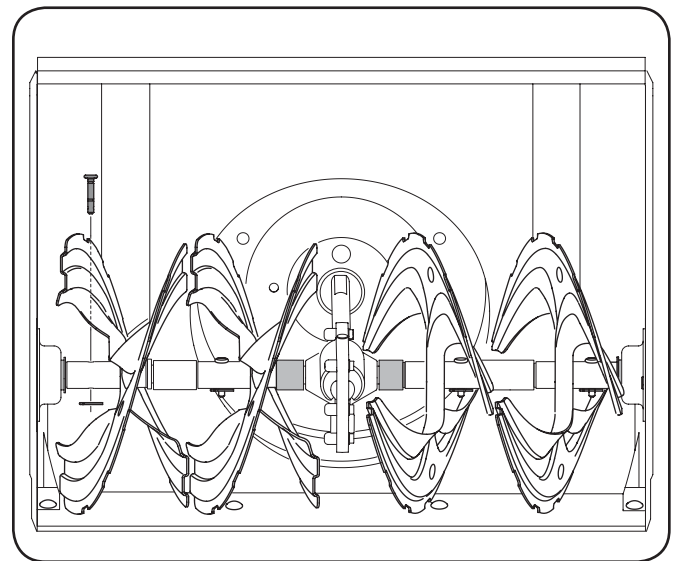


Figure 6-4

Wheels

At least once a season, remove both wheels. Clean and coat the axles with a multipurpose automotive grease before reinstalling wheels.

Augers

The augers are secured to the spiral shaft with four shear pins and cotter pins. If you hit a foreign object or ice jam, the snow thrower is designed so that the pins may shear.

If the augers do not turn, check if the pins have sheared. Replace, if needed, with proper shear pins. Refer to Parts List for correct part number.



CAUTION: NEVER replace the auger shear pins with standard pins or fasteners. Any damage to the auger gearbox or other components, as a result of doing so, will NOT be covered by your snow thrower's warranty.

Replacing Shear Pins



CAUTION: NEVER replace the auger shear pins with anything other than OEM Parts No. 738-04124A replacement shear pins and 714-04040 bow-tie cotter pins. Any damage to the auger gearbox or other components as a result of failing to do so will NOT be covered by your snow thrower attachment's warranty.



WARNING! Always turn off the snow thrower's engine, as instructed in the engine owner's manual and remove the key prior to replacing shear pins.

1. Replace the shear pins as shown in Figure 7-1.

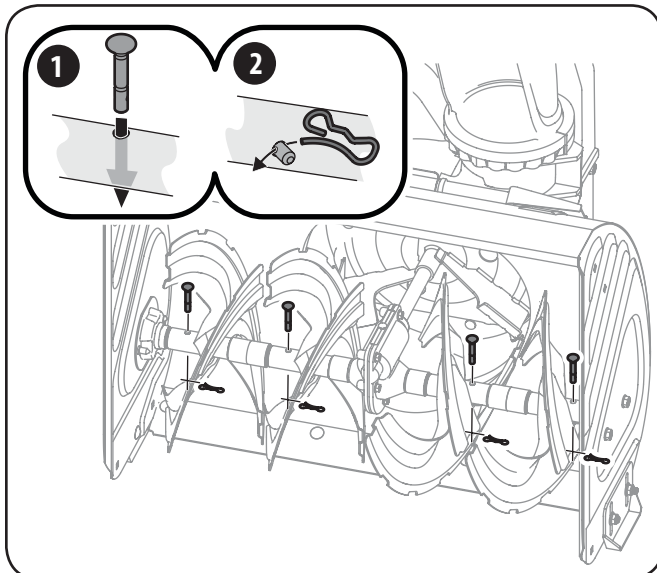


Figure 7-1

Note: Two replacement shear pins and bow-tie cotter pins were included with this attachment.

Replacing the Auger Belt

2. Uncouple the FLEX™ Snow Thrower attachment from the FLEX™ Base Unit by deploying the kickstand and tipping the base unit forward. Carefully move the base unit backwards and away from the snow thrower attachment.
3. Park the FLEX™ Base Unit in a safe and stable location.
4. Rotate the discharge chute to the right as shown in Figure 7-2.

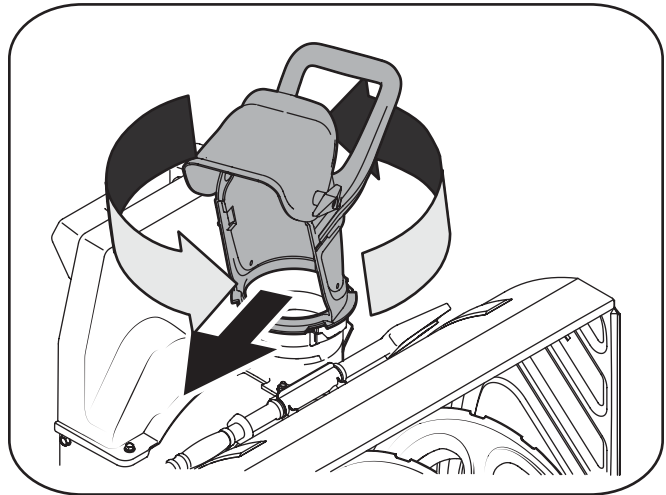


Figure 7-2

3. Remove the two self-tapping screws shown in Figure 7-3, and lift the belt cover up and away from this device. Set it and the screws aside and save.

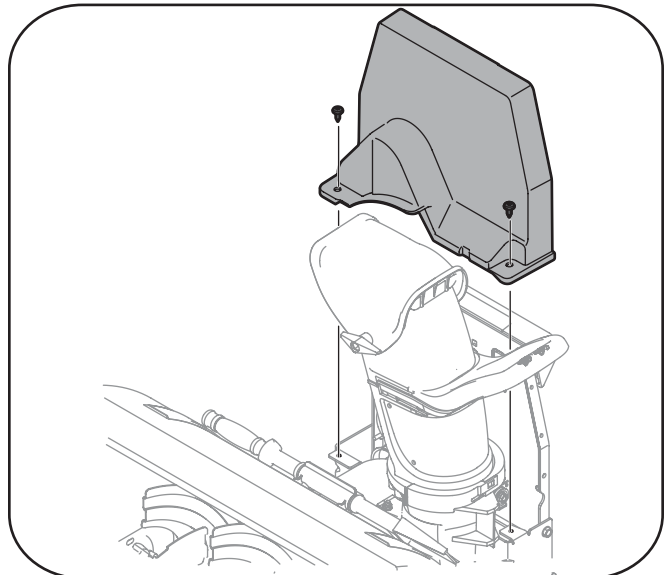


Figure 7-3

- Carefully tip the FLEX™ Snow Thrower Attachment forward onto the front of the auger housing as shown. Use the mounting handle called out in Figure 7-4 to tip this unit forward. NEVER use the chute handle to either tip this unit forward, for lifting or any other reason other than rotating the discharge chute left or right.

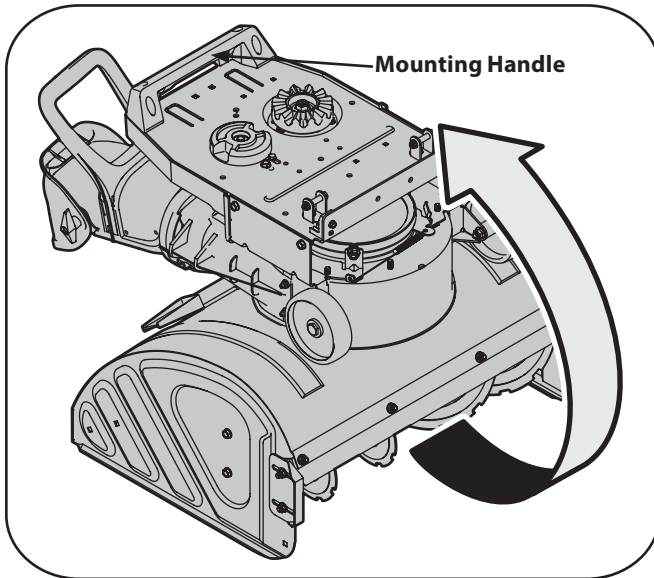


Figure 7-4

- Remove the belt keeping should bolt and lock nut and retain for later installation. See Figure 7-5.

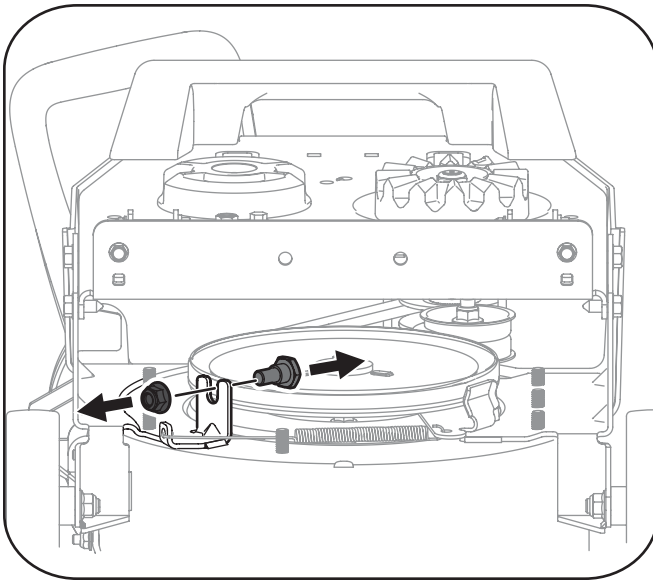


Figure 7-5

- Pull the idler pulley outward (1 in Figure 7-6) to relieve the tension on the auger belt.
- Roll the belt off of the large auger pulley, as shown in 2 of Figure 7-6, then off of the upper pulley.

Note: When reinstalling the new belt, be sure that it routes **INSIDE** of the idler pulley as shown in 1 of Figure 7-6.

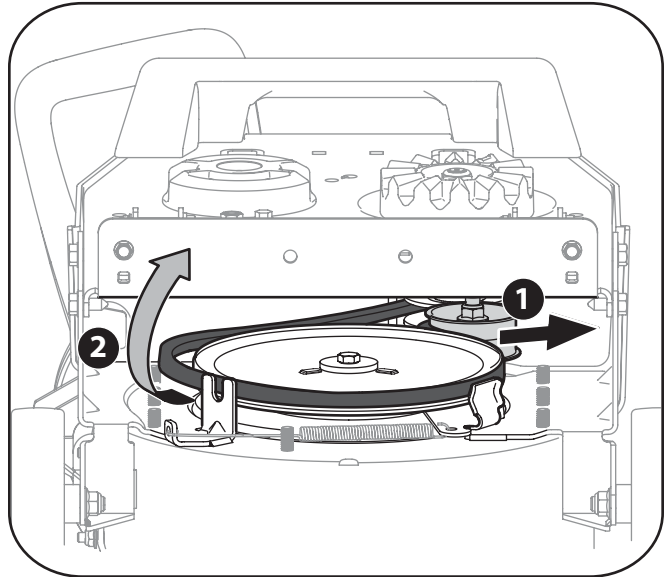

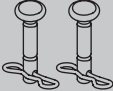

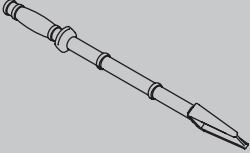
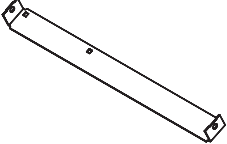



Figure 7-6

- Reinstall the shoulder bolt belt keeper, then tip the unit upright using the Mounting Handle, as detailed in , then reinstall the belt cover with the two tap screws that were removed.

Problem	Cause	Remedy
Excessive vibration or noise when the Attachment Control Lever is applied.	<ol style="list-style-type: none"> 1. One or more of the clutch bumpers is missing or worn. 2. Loose parts or damaged auger. 	<ol style="list-style-type: none"> 1. Replace the three clutch bumpers with replacement kit part no. 753-08457. 2. Stop engine immediately and disconnect spark plug wire. Check for possible damage. Tighten all bolts and nuts. Repair as needed. If the problem persists, take unit to an authorized service dealer.
Augers continue to rotate	<ol style="list-style-type: none"> 1. Cable out of adjustment. 	<ol style="list-style-type: none"> 1. Adjust the auger control cable as shown in the Maintenance Section under "Adjusting the Auger Drive Cable".
Unit fails to discharge snow	<ol style="list-style-type: none"> 1. Chute assembly clogged. 2. Shear pin(s) sheared. 3. Foreign object lodged in auger. 4. Auger control cable out of adjustment. 5. Auger belt loose or damaged. 	<ol style="list-style-type: none"> 1. Stop engine and disconnect spark plug wire. Clean chute and inside of auger housing with clean-out tool or stick. 2. Replace shear pin(s). 3. Stop engine immediately and disconnect the spark plug wire. Remove object from auger. 4. Adjust auger control cable. 5. Replace auger belt.

Component	Number and Description
	954-05071 Auger Drive Belt
	738-04124A Shear Pin, 1.50 714-04040 Bow-tie Cotter Pin
	784-5580 Skid Shoe, Standard (steel)
	931-2643 Chute Clean-out Tool
	790-00121 Shave Plate
	753-08457 Clutch Bumper Kit (6)

Phone (800) 828-5500 to order replacement parts or a complete Parts Manual (have your full model number and serial number ready).
 Parts Manual downloads are also available free of charge at www.troybilt.com.

LIMITED WARRANTY FOR FLEX ATTACHMENT PRODUCT



The limited warranty set forth herein is given by Troy-Bilt LLC to the Initial Purchaser (as defined herein) with respect to a new Troy-Bilt-branded FLEX attachment product consisting of one of the following four (4) attachments to the FLEX Power Base (referred to hereafter as the "Attachment"): (i) wide area mower, (ii) snow-thrasher, (iii) pressure washer or (iv) leaf blower. This limited warranty does not cover Emission Control Systems and is not a Federal Emission Control Warranty Statement as defined by U.S. federal law. Please refer to the Federal Emission Control Warranty Statement in the operator's manual for the FLEX Power Base product ("Power Base") for warranties covering Emission Control Systems.

Scope of the Limited Warranty

Troy-Bilt LLC offers the following limited warranty to the Initial Purchaser for residential or otherwise non-commercial use of the Attachment on the FLEX Power Base: except for the Exclusions (defined herein), during the Warranty Period (defined herein), the Attachment will be free from manufacturing defects (including workmanship and materials). The "Initial Purchaser" is the first person to purchase a new Attachment from an authorized Troy-Bilt dealer, distributor and/or retailer of such attachment products. This limited warranty is non-transferrable. Except as otherwise set forth herein, the limited warranty period for this new Attachment purchased by the Initial Purchaser is two (2) years from the date of purchase as shown on the original sales receipt for the Attachment ("Warranty Period").

Defects in Workmanship or Materials

Except for the Exclusions, the Attachment is warranted to be free from manufacturing defects in either workmanship or materials for the Warranty Period. During the Warranty Period, Troy-Bilt LLC will, at its option, either repair or replace any original part that is covered by this limited warranty and is determined to be defective in workmanship or material.

To qualify for this limited warranty the FLEX™ Base Unit:

1. Must have been purchased from an authorized Troy-Bilt retailer.
2. Must have been purchased within the United States by the Initial Purchaser.
3. Must have been used for residential or otherwise non-commercial purposes.
4. Must have been used in a manner consistent with the normal and proper intended use for the Attachment. This Attachment is not intended for rental or commercial use.

Who can perform repairs under this warranty?

In order to qualify for the limited warranty as set forth herein, the repairs made under this warranty must be performed by an authorized Troy-Bilt service provider.

How to get service under this limited warranty:

To locate a Troy-Bilt warranty service provider, contact your authorized Troy-Bilt dealer, distributor and/or retailer or contact Troy-Bilt LLC at P.O. Box 361131, Cleveland, Ohio 44136-0019 or call 1-877-282-8684 or log on to our Website at www.troybilt.com. This limited product warranty is provided by Troy-Bilt LLC and is the only product warranty provided by Troy-Bilt LLC for this Attachment. A COPY OF YOUR SALES RECEIPT IS REQUIRED FOR WARRANTY SERVICE.

What this limited warranty does not cover.

This limited warranty does not cover the following (the "Exclusions"):

1. Attachment purchased outside of the United States.
2. Damage due to lack of maintenance and/or improper maintenance as described in the operator's manual.
3. Normal wear and tear resulting from use of the Attachment.
4. Use of the Attachment that is not consistent with the intended use thereof as described in the operating instructions, including, but not limited to, abuse, misuse and/or neglect of the Attachment or any use inconsistent with and/or non-compliant with instructions contained in the Operator's Manual.

5. Any expendable, consumable, or routine maintenance item which needs replacement or service as part of normal maintenance, unless such items have defects that cause failure or premature wear within the first thirty (30) days. Where applicable, normal wear items include but are not limited to, blades, tires, belts, filters, fuses, and other consumable items
6. Any Attachment that has been altered or modified in a manner not consistent with the original design of the product or in a manner not otherwise approved by Troy-Bilt LLC.
7. Paint repairs or replacements for defective paint (including materials and application) are covered for a period of three (3) months.
8. Wheel rims are covered for a period of three (3) months for manufacturing defects.
9. The FLEX Power Base is covered by a separate limited warranty which is contained in the operator's manual for the FLEX Power Base.

This warranty does not cover and Troy-Bilt LLC disclaims any responsibility for:

1. Loss of time or loss of use of the Attachment.
2. Transportation costs and other expenses incurred in connection with the transport of the Attachment to and from the authorized Troy-Bilt service provider.
3. Any loss or damage to other equipment or personal items.
4. Damage caused by performance or use of the Attachment in connection with any product other than the FLEX Power Base.

Limitations:

1. THERE ARE NO IMPLIED WARRANTIES, INCLUDING, BUT NOT LIMITED TO, ANY IMPLIED WARRANTY OF MERCHANTABILITY OR FITNESS FOR A PARTICULAR PURPOSE. NO WARRANTY APPLIES AFTER THE APPLICABLE WARRANTY PERIOD AS SET FORTH ABOVE AS TO THE PARTS AS IDENTIFIED. NO OTHER EXPRESS WARRANTY OR GUARANTY, WHETHER WRITTEN OR ORAL, EXCEPT AS MENTIONED ABOVE, GIVEN BY ANY PERSON OR ENTITY, INCLUDING A DEALER OR RETAILER, WITH RESPECT TO ANY PRODUCT SHALL BIND TROY-BILT LLC. DURING THE WARRANTY PERIOD, THE EXCLUSIVE REMEDY IS REPAIR OR REPLACEMENT OF THE DEFECTIVE PART, AS SET FORTH ABOVE. (SOME STATES DO NOT ALLOW LIMITATIONS ON HOW LONG AN IMPLIED WARRANTY LASTS, SO THE ABOVE LIMITATION MAY NOT APPLY TO YOU.)
2. THE PROVISIONS AS SET FORTH HEREIN PROVIDE THE SOLE AND EXCLUSIVE REMEDY ARISING FROM THE SALE. TROY-BILT SHALL NOT BE LIABLE FOR INCIDENTAL OR CONSEQUENTIAL LOSS OR DAMAGES INCLUDING, WITHOUT LIMITATION, FOR TRANSPORTATION OR FOR RELATED EXPENSES, OR FOR RENTAL EXPENSES TO TEMPORARILY REPLACE A WARRANTED PRODUCT. (SOME STATES DO NOT ALLOW THE EXCLUSION OR LIMITATION OF INCIDENTAL OR CONSEQUENTIAL DAMAGES, SO THE ABOVE EXCLUSION OR LIMITATION MAY NOT APPLY TO YOU.)
3. In no event shall recovery of any kind be greater than the amount of the purchase price of the product sold. Alteration of the safety features of the product shall void this limited warranty. You assume the risk and liability for loss, damage, or injury to you and your property and/or to others and their property arising out of the use or misuse or inability to use the product.

How State Law Relates to this Warranty:

This limited warranty gives you specific legal rights, and you may also have other rights which vary from state to state.

Troy-Bilt LLC, P.O. BOX 361131 CLEVELAND, OHIO 44136-0019; Phone: 1-800-828-5500, 1-330-558-7220
MTD Canada Limited - KITCHENER, ON N2G 4J1; Phone 1-800-668-1238

Gracias

Gracias por comprar el Accesorio quitanieve FLEX™ Troy-Bilt. El mismo ha sido cuidadosamente diseñado para brindar excelente rendimiento si se lo opera y mantiene correctamente.

Por favor lea todo este manual antes de hacer funcionar el equipo. El manual le indica cómo configurar, operar y mantener la máquina de manera fácil y segura. Por favor asegúrese de que usted, y cualquier otra persona que haga funcionar la máquina, sigue atentamente y en todo momento las medidas de seguridad recomendadas. En caso de no hacerlo podrían producirse lesiones personales o daños materiales.

Toda la información contenida en este manual hace referencia a la más reciente información de producto disponible en el momento de la impresión. Revise el manual frecuentemente para familiarizarse con la máquina, sus características y funcionamiento. Por favor tenga en cuenta que este Manual del Operador puede cubrir una gama de especificaciones para productos de varios modelos. Es posible que las características y funciones incluidas y/o ilustradas en este manual no se apliquen a todos los modelos.

Nos reservamos el derecho de modificar las especificaciones de los productos, diseños y equipos sin previo aviso y sin generar responsabilidad por obligaciones de ningún tipo.

Si tiene algún problema o duda respecto a la máquina, llame a un distribuidor de servicio Troy-Bilt autorizado o comuníquese directamente con nosotros. En esta página encontrará los números de teléfono, dirección del sitio web y dirección postal de Atención al cliente de Troy-Bilt. Queremos garantizar su entera satisfacción en todo momento.

En este manual, todas las referencias al lado *derecho* e *izquierdo* de la máquina se observan desde la posición del operador

Índice

Medidas de seguridad	24	Servicio	36
Montaje y Configuración	28	Solución De Problemas	38
Controles	31	Piezas de repuesto	39
Funcionamiento	32	Garantía	40
Mantenimiento y ajustes	34		

Registro de información de producto

Antes de configurar y hacer funcionar su equipo nuevo, por favor localice la placa de modelo en el equipo y registre la información en el espacio de la derecha. Podrá localizar la placa de modelo si la busca en la placa de montaje posterior del accesorio quitanieve SIN que esté colocada la unidad base. Si tiene que solicitar soporte técnico a través de nuestro sitio web, el Departamento de Asistencia al Cliente, o de un distribuidor de servicio autorizado local, necesitará esta información

NÚMERO DE MODELO

--	--	--	--	--	--	--	--	--	--	--	--

NÚMERO DE SERIE

--	--	--	--	--	--	--	--	--	--	--	--

Asistencia al Cliente

Por favor, NO devuelva la máquina al minorista o distribuidor sin ponerse en contacto primero con el Departamento de Asistencia al Cliente.

Si tiene dificultad para armar este producto o tiene dudas respecto a los controles, el funcionamiento o el mantenimiento de esta máquina, puede solicitar la ayuda de expertos. Seleccione una de las opciones siguientes:

- ◇ Visite nuestro sitio web en www.troybilt.com



Vea videos instructivos sobre el mantenimiento y la instalación de piezas en www.troybilt.com/tutorials

- ◇ Llame a un representante de Asistencia al Cliente al (800) 828-5500 ó (330) 558-7220
- ◇ Escriba a Troy-Bilt LLC • P.O. Box 361131 • Cleveland, OH • 44136-0019



¡ADVERTENCIA! La presencia de este símbolo indica que se trata de instrucciones de seguridad importantes que se deben respetar para evitar poner en peligro su seguridad personal y/o material y la de otras personas. Lea y cumpla todas las instrucciones de este manual antes de intentar operar esta máquina. Si no respeta estas instrucciones puede provocar lesiones personales. Cuando vea este símbolo. **¡TENGA EN CUENTA LA ADVERTENCIA!**

PROPOSICIÓN 65 DE CALIFORNIA



¡ADVERTENCIA! El escape del motor, algunos de los elementos del mismo y algunos componentes del vehículo contienen o liberan sustancias químicas que según el Estado de California pueden producir cáncer, defectos de nacimiento u otros problemas reproductivos.



PELIGRO: Esta máquina está diseñada para ser utilizada respetando las normas de seguridad contenidas en este manual. Al igual que con cualquier tipo de equipo motorizado, un descuido o error por parte del operador puede producir lesiones graves. Esta máquina es capaz de amputar dedos, manos y pies y de arrojar objetos extraños con gran fuerza. De no respetar las instrucciones de seguridad siguientes se pueden ocasionar lesiones graves o la muerte.

Capacitación

1. Lea, entienda y cumpla todas las instrucciones incluidas en la máquina y en el(los) manual(es) antes de intentar realizar el montaje de la unidad y utilizarla. Guarde este manual en un lugar seguro para consultas futuras y periódicas, así como para solicitar repuestos.
2. Familiarícese con todos los controles y con el uso adecuado de los mismos. Sepa cómo detener la máquina y desactivar los controles rápidamente.
3. No permita nunca que los niños menores de 14 años utilicen esta máquina. Los niños de 14 años en adelante deben leer y entender las instrucciones y las normas de seguridad contenidas en este manual y en la máquina y deben ser entrenados y supervisados por un adulto.
4. Nunca permita que los adultos operen esta máquina sin recibir antes la instrucción apropiada.
5. Los objetos arrojados por la máquina pueden causar lesiones graves. Planifique el patrón en el que va a ir arrojando nieve para evitar que la descarga de material se realice hacia los caminos, los observadores, etc.
6. Mantenga a los observadores, mascotas y niños por lo menos a 75 pies de la máquina siempre que esté funcionando. Detenga la máquina si alguien se acerca.
7. Sea precavido para evitar patinarse o caerse especialmente cuando opera la máquina en marcha atrás.

Preparativos

- Inspeccione minuciosamente el área donde utilizará el equipo. Saque todos los felpudos, periódicos, trineos, tablas, cables y otros objetos extraños con los que podría tropezar o que podrían ser arrojados por la barrena/impulsor.
1. Para protegerse los ojos utilice siempre anteojos o antiparras de seguridad mientras opera la máquina o mientras la ajusta o repara. Los objetos arrojados que rebotan pueden causar lesiones graves en los ojos.
 2. No opere la máquina sin la vestimenta adecuada para estar al aire libre en invierno. No utilice alhajas, bufandas largas u otras prendas sueltas que podrían enredarse en las partes móviles. Utilice un calzado especial para superficies resbaladizas.
 3. Use un prolongador y un tomacorriente de tres cables con conexión a tierra para todas las máquinas con motores de encendido eléctrico.
 4. Ajuste la altura de la caja de la barrena para limpiar la grava o las superficies con piedras trituradas.
 5. Desengrane todas las palancas de control antes de arrancar el motor.
 6. Nunca intente hacer ajustes mientras el motor está en marcha, excepto cuando así lo recomiende específicamente el manual del operador.
 7. Deje que el motor y la máquina se adapten a la temperatura exterior antes de comenzar a sacar la nieve.

Manejo seguro de la gasolina

Para evitar lesiones personales o daños materiales tenga mucho cuidado al manipular la gasolina. La gasolina es sumamente inflamable y sus vapores pueden causar explosiones. Si se derrama gasolina encima o sobre la ropa se puede lesionar gravemente ya que se puede encender. Lávese la piel y cámbiese de ropa de inmediato.

- a. Utilice sólo los recipientes para gasolina autorizados.
- b. Apague todos los cigarrillos, cigarros, pipas y otras fuentes de combustión.
- c. Nunca cargue combustible en la máquina en un espacio cerrado.
- d. Nunca saque la tapa del combustible ni agregue combustible mientras el motor está caliente o en marcha.
- e. Deje que el motor se enfríe por lo menos dos minutos antes de volver a cargar combustible.
- f. Nunca llene en exceso el depósito de combustible. Llene el tanque a no más de ½ pulgada por debajo de la base del cuello de llenado dejando espacio para la dilatación del combustible.
- g. Vuelva a colocar el tapón de combustible y ajústelo bien.
- h. Limpie el combustible que se haya derramado sobre el motor y el equipo. Traslade la máquina a otra zona. Espere 5 minutos antes de encender el motor.
- i. Nunca almacene la máquina o el recipiente de combustible en un espacio cerrado donde haya fuego, chispas o luz piloto (por ejemplo, hornos, calentadores de agua, calefactores, secadores de ropa, etc.).
- j. Deje que la máquina se enfríe por lo menos 5 minutos antes de guardarla.
- k. Nunca llene los recipientes dentro de un vehículo o un camión o un remolque con recubrimiento plástico. Coloque siempre los recipientes en el piso y lejos del vehículo antes de llenarlo.
- l. Si es posible, retire el equipo a gasolina del camión o remolque y llénelo en el suelo. Si esto no es posible, llene el equipo en un remolque con un recipiente portátil, en vez de hacerlo desde una boquilla dispensadora de gasolina.
- m. En todo momento mantenga la boquilla en contacto con el borde del depósito de combustible o con la abertura del recipiente, hasta terminar la carga. No utilice un dispositivo de apertura/cierre de la boquilla,

Funcionamiento

1. No ponga las manos o los pies cerca de las piezas giratorias, en la caja de la barrena / impulsor o en el montaje del canal de descarga. El contacto con las piezas giratorias puede amputar manos y pies.
2. La palanca de control de la barrena / impulsor es un dispositivo de seguridad. Nunca evite su funcionamiento. De hacerlo la operación de la máquina es riesgosa y puede ocasionar lesiones.
3. Las palancas de control deben funcionar bien en ambas direcciones y regresar automáticamente a la posición de desengrane cuando se las suelta.
4. Nunca opere la máquina si falta un montaje del canal o si el mismo está dañado. Mantenga todos los dispositivos de seguridad en su lugar y en funcionamiento.
5. Nunca encienda el motor en espacios cerrados o en una zona con poca ventilación. El escape del motor contiene monóxido de carbono, un gas inodoro y letal.

6. No utilice la máquina bajo la influencia de alcohol o drogas.
7. El silenciador y el motor se calientan y pueden causar quemaduras. No los toque. Mantenga a los niños alejados.
8. Tenga mucho cuidado si cruza o usa la máquina en superficies con grava. Manténgase atento al tráfico y los riesgos ocultos.
9. Tenga cuidado cuando cambie de dirección o cuando opere la máquina en pendientes. No la utilice en pendientes pronunciadas.
10. Planifique el patrón en el que va a ir arrojando nieve para evitar que la descarga de material se produzca hacia las ventanas, las paredes, los automóviles, etc. y evitar así posibles daños materiales o lesiones producidas por los rebotes.
11. Nunca dirija la descarga hacia los niños, los observadores o las mascotas ni deje que nadie se pare delante de la máquina.
12. No sobrecargue la capacidad de la máquina tratando de sacar la nieve muy rápidamente.
13. Nunca opere esta máquina si no cuenta con buena visibilidad o luz. Siempre esté seguro de dónde apoya los pies y mantenga con firmeza las manos en las manijas. Camine, nunca corra.
14. Corte la corriente a la barrena/impulsor cuando transporte la máquina o cuando la misma no está en uso.
15. Nunca opere la máquina a alta velocidad de desplazamiento sobre superficies resbaladizas. Mire hacia abajo y hacia atrás y tenga cuidado cuando vaya marcha atrás.
16. Si la máquina comenzara a vibrar de manera anormal, detenga el motor, desconecte el cable de la bujía y póngala de manera que haga masa contra el motor. Revise cuidadosamente para detectar daños. Repare cualquier daño antes de encender el motor y operar la máquina.
17. Desengrane todas las palancas de control y detenga el motor antes de dejar la posición de operación (detrás de las manijas). Espere a que la barrena/impulsor se detenga por completo antes de destapar el montaje del canal o realizar ajustes e inspecciones.
18. Nunca ponga las manos en las aberturas de descarga o de recolección. Utilice siempre la herramienta de limpieza que se adjunta para destapar la abertura de descarga. No destape el montaje del canal mientras el motor está en funcionamiento. Antes de destaparlo, apague el motor y permanezca detrás de las barras de control hasta que todas las partes móviles se hayan detenido.
19. Use sólo uniones y accesorios aprobados por el fabricante (por ejemplo, pesas para las ruedas, cadenas para los neumáticos, cabinas, etc.).
20. Para encender el motor, tire lentamente del cordel hasta sentir resistencia, luego tire rápidamente. El repliegue rápido de la cuerda de arranque (retroceso o rebote) le jalará la mano y el brazo hacia el motor más rápido de lo que usted puede soltar. Puede llegar a causar huesos rotos, fracturas, hematomas y esguinces.
21. Si se presentan situaciones que no están previstas en este manual, tenga cuidado y use el sentido común. Póngase en contacto con Asistencia al Cliente para solicitar ayuda y el nombre del distribuidor de servicio más cercano.

Despeje de un canal de descarga obstruido

El contacto de las manos con el impulsor rotatorio que está dentro del canal de descarga es la causa más común de lesiones asociadas con las máquinas quitanieve. Nunca use las manos para limpiar el canal de descarga.

Para despejar el canal:

1. ¡APAGUE EL MOTOR!
2. Espere 10 segundos para estar seguro de que las cuchillas del motor han dejado de rotar.
3. Utilice siempre una herramienta de limpieza, no use las manos.

Mantenimiento y almacenamiento

1. Nunca altere los dispositivos de seguridad. Controle periódicamente que funcionen correctamente. Remítase a las secciones de mantenimiento y ajuste de este manual.
2. Antes de realizar la limpieza, reparar o revisar la máquina, desengrane todas las palancas de control y detenga el motor. Espere a que la barrena/impulsor se detenga por completo. Desconecte el cable de la bujía y póngalo haciendo masa contra el motor para evitar que se encienda accidentalmente.
3. Controle a intervalos frecuentes que los pernos y tornillos estén bien apretados para mantener la máquina en condiciones de uso seguro. Además, haga inspecciones visuales de la máquina para verificar si sufrió algún daño.
4. No cambie la configuración del regulador del motor ni acelere demasiado el mismo. El regulador del motor controla la velocidad máxima de funcionamiento seguro del motor.
5. Las placas de raspado y las zapatas antideslizantes que se usan con la máquina quitanieve se desgastan y se dañan. Para proteger su seguridad, verifique frecuentemente todos los componentes y reemplácelos sólo con partes de los fabricantes de equipo original (OEM). "El uso de repuestos que no cumplen con las especificaciones del equipo original puede resultar en rendimiento inadecuado y puede comprometer la seguridad."
6. Revise las palancas de control periódicamente para verificar que engranen y desengranen adecuadamente y ajústelos si es necesario. Consulte la sección de ajustes de este manual del operador para obtener instrucciones.
7. Mantenga o reemplace las etiquetas de seguridad y de instrucciones según sea necesario.
8. Observe las leyes y reglamentos sobre la correcta disposición del gas, el petróleo, etc., para proteger el medio ambiente.
9. Antes de almacenar la máquina enciéndala unos minutos para sacar la nieve que haya quedado en la misma y para evitar así que se congele la barrena/impulsor.
10. Nunca almacene la máquina o el recipiente de combustible en un espacio cerrado donde haya fuego, chispas o luz piloto como por ejemplo, calentadores de agua, hornos, secadores de ropa, etc.
11. Consulte siempre el manual del operador para obtener instrucciones adecuadas para el almacenamiento fuera de temporada.
12. Verifique frecuentemente la línea de combustible, el depósito, el tapón, y los accesorios buscando rajaduras o pérdidas. Reemplace cuando sea necesario.
13. No dé arranque al motor si no está la bujía de encendido.

14. Según la Comisión de Seguridad de Productos para el Consumidor de los Estados Unidos (CPSC) y la Agencia de Protección Ambiental de los Estados Unidos (EPA), este producto tiene una *vida útil media* de siete (7) años ó 60 horas de funcionamiento. Al finalizar la *vida útil media* haga inspeccionar anualmente esta unidad por un distribuidor de servicio autorizado para cerciorarse de que todos los sistemas mecánicos y de seguridad funcionan correctamente y no tienen excesivo desgaste. Si no lo hace, puede ocasionar accidentes, lesiones o la muerte.

No modifique el motor

Para evitar lesiones graves o la muerte, no modifique el motor de ninguna manera. Si altera la configuración del regulador, el motor se puede desbocar y funcionar a velocidades que no son seguras. Nunca cambie la configuración de fábrica del regulador del motor.

Aviso referido a emisiones

Los motores que están certificados y cumplen con las normas sobre emisiones federales EPA y de California para SORE (Equipos pequeños todo terreno) están certificados para funcionar con gasolina sin plomo común y pueden incluir los siguientes sistemas de control de emisiones: Modificación de motor (EM), catalizador oxidante (OC), inyección de aire secundaria (SAI) y catalizador de tres vías (TWC) si están instalados.

Amortiguador de chispas

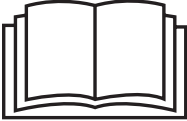




¡ADVERTENCIA! Esta máquina está equipada con un motor de combustión interna y no debe ser utilizada en o cerca de un terreno agreste cubierto por bosque, malezas o hierba excepto que el sistema de escape del motor esté equipado con un amortiguador de chispas que cumpla con las leyes locales o estatales correspondientes (en caso de existir).

Si se utiliza un amortiguador de chispas el operador lo debe mantener en condiciones de uso adecuadas. En el Estado de California las medidas anteriormente mencionadas son exigidas por ley (Artículo 4442 del Código de Recursos Públicos de California). Es posible que existan leyes similares en otros estados. Las leyes federales se aplican en los territorios federales. Puede conseguir el amortiguador de chispas para el silenciador a través de su distribuidor de mantenimiento de motores autorizado más cercano o poniéndose en contacto con el departamento de servicios, P.O. Box 361131 Cleveland, Ohio 44136-0019.

Símbolos de seguridad

En esta página se presentan y describen los símbolos de seguridad que en este producto puede tener. Lea, entienda y siga todas las instrucciones incluidas en la máquina antes de intentar armarla y hacerla funcionar.

Símbolo	Descripción
	LEA LOS MANUALES DEL OPERADOR Lea, entienda y siga todas las instrucciones incluidas en los manuales antes de intentar armarla y hacerla funcionar.
	ADVERTENCIA— BARRENA GIRATORIA Evite lesiones por la barrena giratoria. Mantenga alejados las manos, los pies y la vestimenta.
	ADVERTENCIA - CUCHILLAS GIRATORIAS Mientras la máquina está en funcionamiento, mantenga las manos lejos de las aberturas de entrada y de descarga. En el interior hay cuchillas giratorias



¡ADVERTENCIA! Su responsabilidad—Limite el uso de esta máquina motorizada a las personas que lean, comprendan y respeten las advertencias e instrucciones que figuran en este manual y en la máquina.

¡GUARDE ESTAS INSTRUCCIONES!

Montaje

Instalación del canal de descarga

Con el presente accesorio se incluyó un canal de descarga, un resorte de alambre y una banda para canal. Ensámblelos ahora, para lo que debe instalar el canal de descarga en el accesorio quitanieve siguiendo estos pasos:

1. Instale el resorte de alambre en la abertura de descarga del accesorio quitanieve para lo cual debe insertar ambos extremos en las ranuras provistas. Consulte la Figura 3-1 para conocer la ubicación y la orientación adecuadas del resorte. En el recuadro de la Figura 3-1 se muestra el resorte correctamente instalado con los extremos colocados en las ranuras provistas.

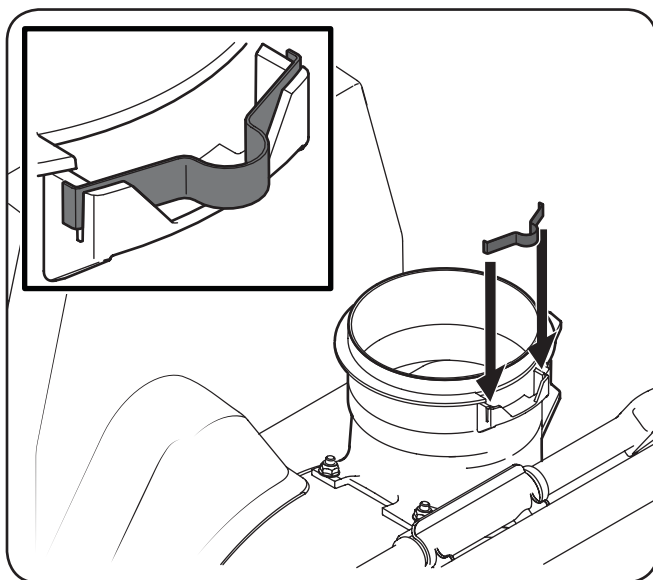


Figura 3-1

2. Coloque el canal de descarga, que se embla suelto en la caja, en el accesorio quitanieve, como se indica en la Figura 3-3.
Nota: Ubique el canal de descarga inclinado hacia la derecha para facilitar la instalación.
3. Sujete la manija del canal de descarga al canal de descarga, como se indica en la Figura 3-2.

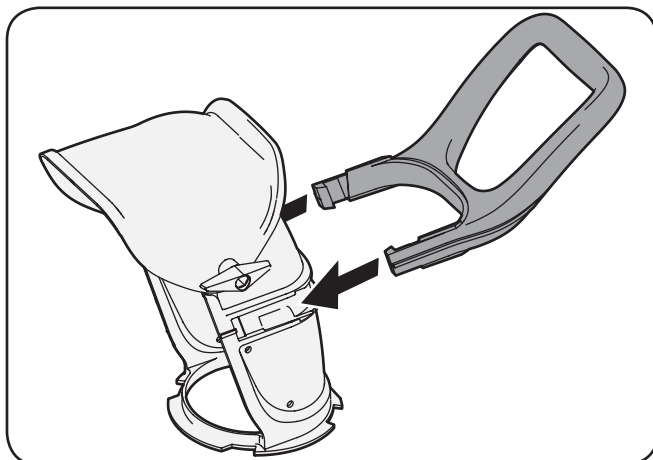


Figura 3-2

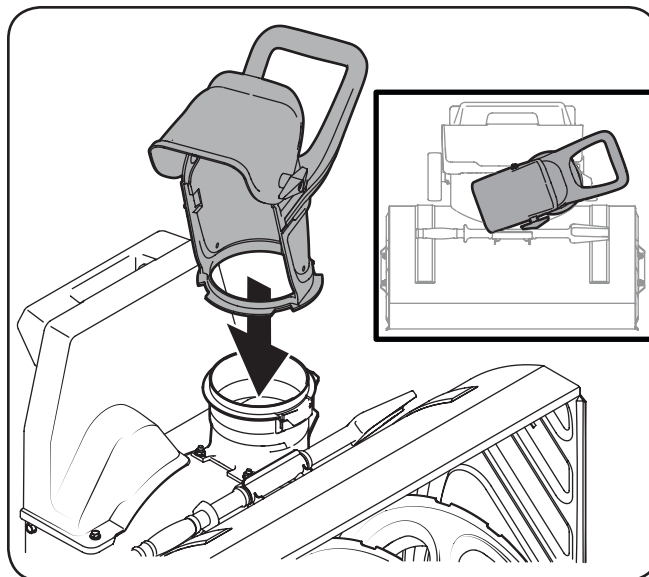


Figura 3-3

4. Coloque la banda para el canal como se indica en la Figura 3-4. Con el canal de descarga ubicado hacia la derecha como se indica, coloque la banda del canal alineando las ranuras del frente con la banda, y asegurándose de calzar el canal de descarga dentro del canal de la banda para el canal, como se indica en el recuadro de la Figura 3-4.

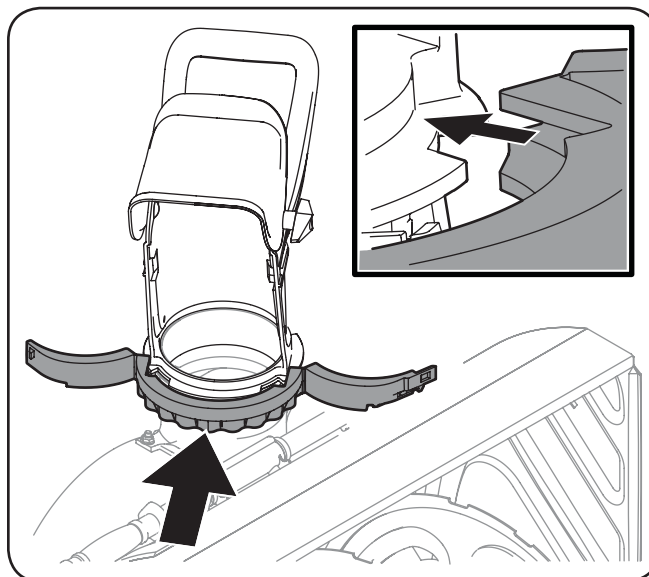


Figura 3-4

- Sujete la banda para el canal al canal alineando primero las dos uniones de ajuste a presión y oprimiendo los dos extremos (1 y 2) para unirlos como se indica. Asegúrese de que las dos lengüetas de los extremos queden enganchadas, como se indica en el recuadro superior izquierdo de la Figura 3-5. Si se ensambla correctamente, la banda para el canal debe quedar como se muestra en el recuadro superior derecho de la Figura 3-5.

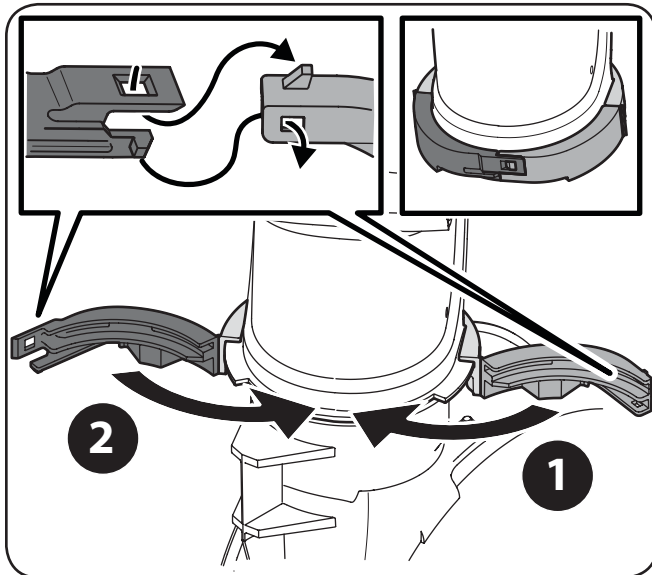


Figura 3-5

IMPORTANTE: Si debe extraer el canal por cualquier motivo, se debe usar un destornillador para soltar las lengüetas de traba que se mostraron anteriormente en el recuadro izquierdo de la Figura 3-5.

Nota: Si la instalación se realizó correctamente, se oirá un sonido como ¡clíc! ¡clíc! ¡clíc! al girar el canal hacia la izquierda y la derecha. Consulte la Figura 3-6.

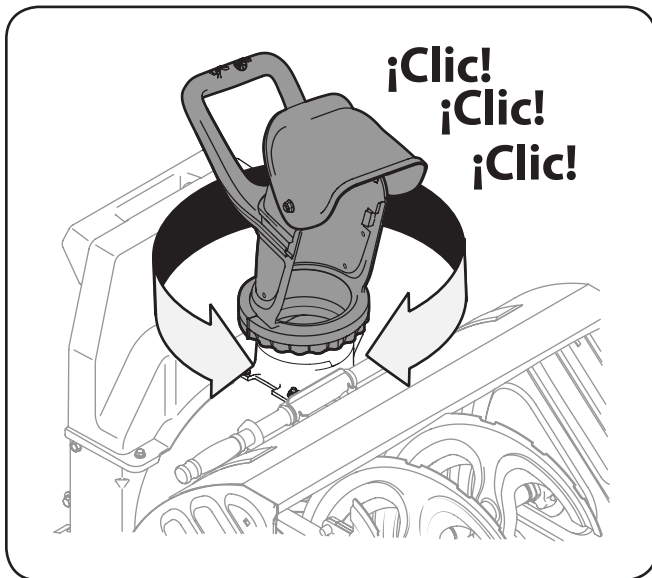


Figura 3-6

Configuración

Ajuste de las zapatas antideslizantes

Las zapatas antideslizantes de la máquina quitanieve se ajustan hacia arriba en fábrica para el envío. Si lo desea, puede ajustarlas hacia abajo antes de hacer funcionar el accesorio quitanieve.



PRECAUCIÓN: Se recomienda no operar este accesorio quitanieve sobre grava ya que la unidad puede recoger y lanzar grava suelta fácilmente, causando lesiones personales o daños a la máquina y los objetos que la rodean.

- Si desea quitar nieve en una superficie lisa, eleve más las zapatas antideslizantes en la caja de la barrena.
- Use las posiciones media o baja cuando la superficie que desea limpiar es despareja, tal como un camino de grava.

NOTA: Si tiene que usar la máquina quitanieve sobre grava, mantenga las zapatas antideslizantes en la posición que permita lograr una separación máxima entre el piso y la placa de raspado.



PRECAUCIÓN: Si se utiliza una máquina quitanieves que está equipada con zapatas antideslizantes de acero se pueden provocar daños a las superficies que tengan pavimento natural (por ejemplo arenisca, piedra azul, piedra caliza). Consulte las secciones de Piezas de Reemplazo o Accesorios y Complementos para obtener más información sobre las zapatas antideslizantes de polímero disponibles.

Para ajustar las zapatas antideslizantes:

1. Afloje las cuatro tuercas hexagonales (dos en cada lado) y los pernos del carro. Mueva las zapatas antideslizantes a la posición deseada. Consulte la Figura 3-7.
2. Compruebe que toda la superficie inferior de las zapatas antideslizantes esté contra el suelo para evitar el desgaste desparejo de las mismas.
3. Vuelva a ajustar bien las tuercas y los pernos.

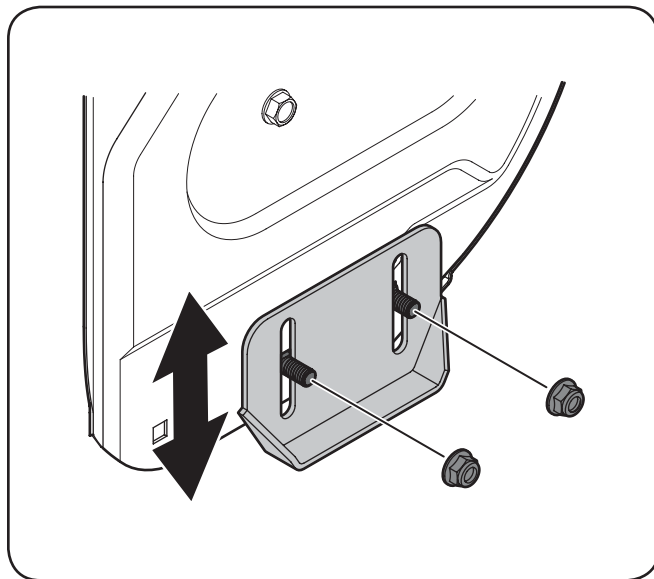


Figura 3-7

Canal de descarga

La posición del canal de descarga superior se puede ajustar de manera de controlar la distancia a la que se arrojará la nieve descargada y la dirección en que será descargada. Siga estos pasos para ajustar el canal de descarga:

1. Afloje la perilla de aletas del canal superior, ajuste el canal hasta la posición de funcionamiento deseada.
2. Apriete la perilla de aletas del canal superior asegurándose de que el perno del carro del interior del canal de descarga esté ubicado correctamente. Consulte la Figura 3-8.

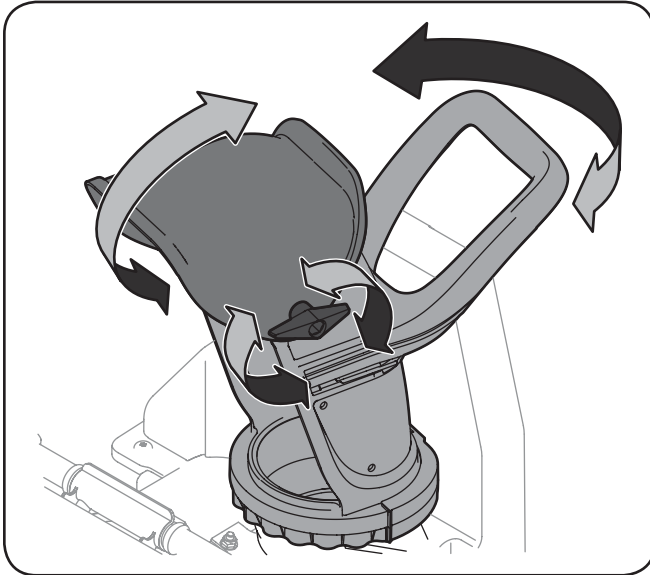


Figura 3-8

3. Para ajustar la dirección en la que se arrojará la nieve, use la manija del canal de descarga superior para controlar la dirección de la descarga. Vuelva a consultar la Figura 3-8.

Pasadores de cuchilla

El accesorio quitanieve trae un par de pasadores de cuchilla de la barrena y pasadores de chaveta con unión curva de reemplazo. Consulte la Figura 3-9. Almacénelos en un lugar seguro hasta que sean necesarios.

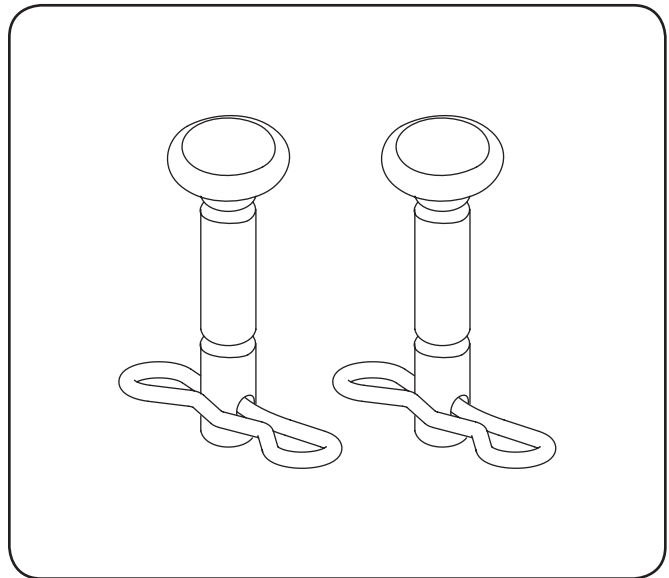


Figura 3-9

Herramienta de limpieza del canal

La herramienta de limpieza del canal viene sujeta de fábrica a la parte superior de la caja de la barrena con un pasador de ensamblado y un precinto. Corte el precinto antes de operar la máquina quitanieve. Consulte la Figura 3-10.

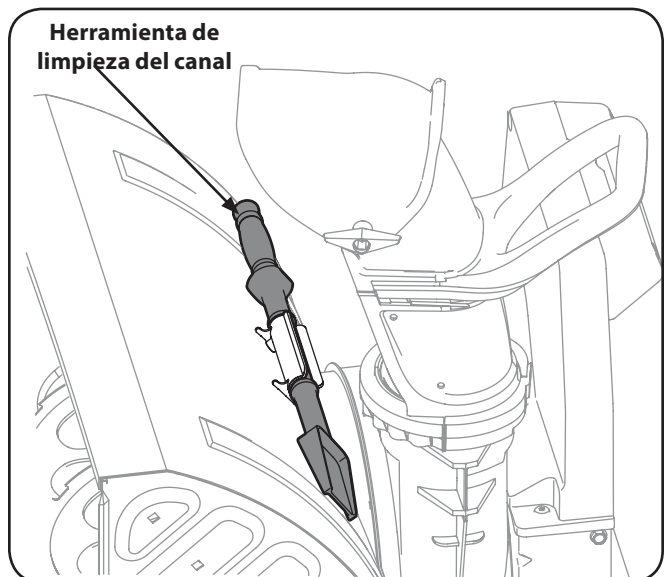


Figure 3-10

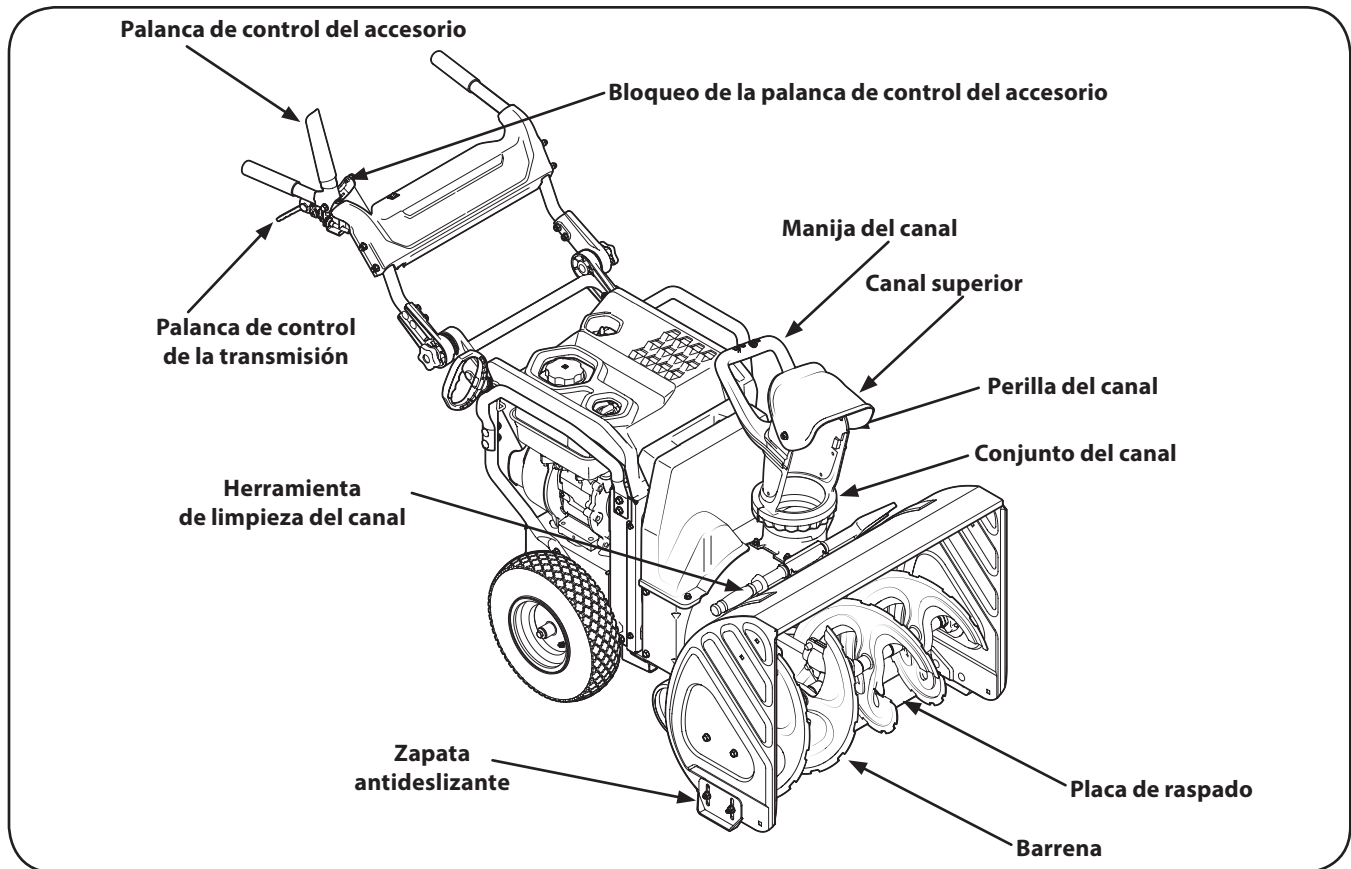


Figura 4-1

Motor

Consulte el manual del operador de la unidad de base FLEX™ para obtener información sobre todos los controles y las características relacionados con el motor.

Palanca de control de transmisión

Esta palanca impulsa toda la máquina hacia adelante.

Palanca de control del accesorio

Apriete el control de la barrena contra la barra de control superior para engranar las barrenas, y suéltelo para desengranarlas.

Barrena

Cuando está engranada, la rotación de la barrena dirige la nieve al interior de la caja de la barrena y la arroja hacia afuera por el canal de descarga.

Conjunto del canal

La nieve que se empuja al interior de la caja de la barrena se descarga hacia afuera por el conjunto del canal.

Manija del canal

La dirección en que se arroja la nieve corresponde a la dirección de apertura del canal. Use la manija del canal para girar el conjunto del canal en la dirección en la que desee arrojar la nieve.

Perilla del canal

Es posible ajustar la distancia a la cual se arroja la nieve elevando o bajando el canal superior. Afloje la perilla del canal del lado del canal superior para ajustarlo. Gire el canal superior hasta la posición deseada y vuelva a ajustar la perilla del canal.

Placa de raspado

La placa de raspado hace contacto con el pavimento a medida que se impulsa el accesorio quitanieve, permitiendo que se descargue la nieve que está cerca de la superficie del pavimento.

Zapatillas antideslizantes

Ubique las zapatillas antideslizantes en función de las condiciones de la superficie. Ajuste hacia arriba si la nieve está muy compactada. Ajustelas hacia abajo si usa la máquina en grava o superficies con piedras trituradas. Consulte la sección Montaje y Configuración para obtener información sobre el ajuste de las zapatillas antideslizantes.

Herramienta de limpieza del canal

La herramienta de limpieza del canal está sujeta convenientemente a la parte posterior de la caja de la barrena con un pasador de ensamblado. Se utiliza para aflojar y recoger la nieve y el hielo que se forman dentro y cerca del montaje del canal.

Encendido del motor

Consulte el manual del operador de la base de potencia FLEX™ para obtener las instrucciones para el arranque y el funcionamiento del motor.

Acople el accesorio quitanieve a la base de potencia

1. Con el soporte en la posición UP (arriba) en la base de potencia FLEX™, como se indica en la Figura 5-1, hágalo girar hacia el accesorio quitanieve.

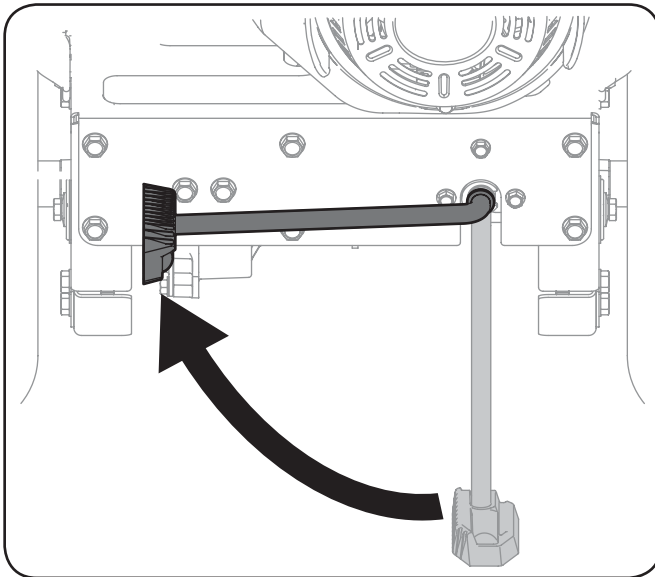


Figura 5-1

2. Incline la base de potencia FLEX™ hacia adelante, enganchando la lengüeta de montaje superior con la manija de montaje del accesorio quitanieve, consulte la Figura 5-2.

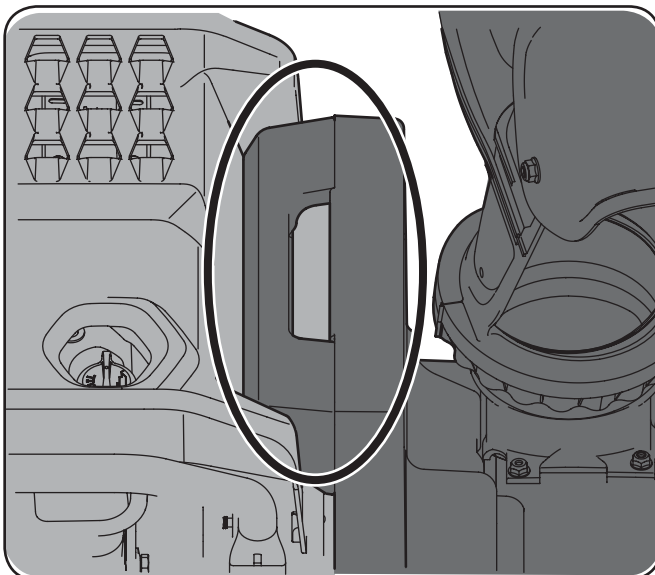


Figura 5-2

3. Una vez que se engancha el montaje superior (1), y con ambas manos en las empuñaduras de las manijas, incline suavemente la unidad hacia atrás para enganchar los montajes inferiores (2). Consulte la Figura 5-3.

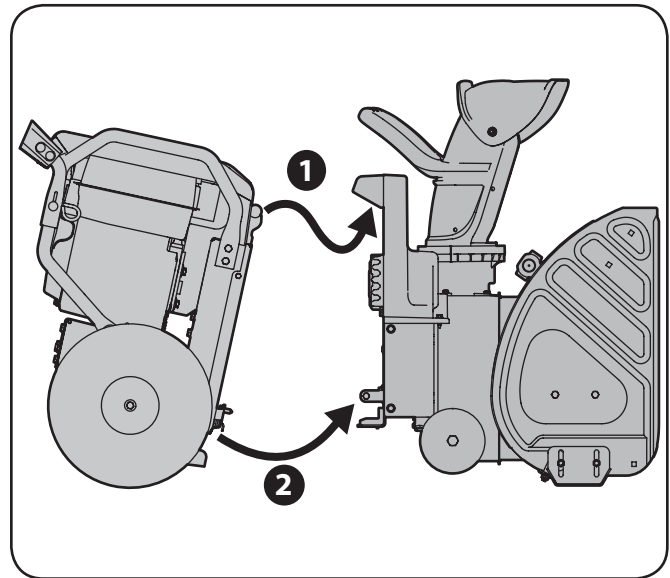


Figura 5-3

Nota: El operador podrá oír cuando se enganchan y traban los montajes inferiores si se realiza el acoplamiento correctamente.

Para desacoplar el accesorio quitanieve de la base de potencia:

Pare completamente el motor de la unidad de potencia antes de intentar realizar los pasos de mantenimiento o de desacoplar el accesorio. No intente nunca desacoplar la base de potencia del accesorio quitanieve CON el motor en marcha.



¡ADVERTENCIA! Apague siempre el motor de la base de potencia FLEX™ y saque la llave antes de intentar reemplazar los pasadores de cuchilla o de desacoplar la base de potencia del accesorio.

1. Ponga el soporte abajo.
2. Incline la base de potencia FLEX™ hacia adelante para desenganchar los montajes inferiores, luego el montaje superior.
3. Mueva la base de potencia FLEX™ para alejarla del accesorio quitanieve.

Nota: Con el soporte en la posición en que queda hacia abajo (para destrabar), la base de potencia FLEX™ quedará apoyada de manera conveniente en posición de detención.

Procedimiento para engranar la transmisión

1. Para activar la transmisión, apriete la palanca de control de la transmisión completamente contra la manija de control superior para engranar las ruedas. Para detener la marcha hacia adelante, suelte el control de la transmisión.

Nota: La palanca de control de la transmisión es un control de transmisión de velocidad variable. Si se tira de la palanca de la transmisión completamente hacia adentro, el operador obtendrá la máxima velocidad, sin embargo, no se alcanzará dicha velocidad para algunas operaciones, como por ejemplo, mientras se quita la nieve.

Procedimiento para engranar las barrenas

1. Para engranar las barrenas, oprima el botón de bloqueo de seguridad de la palanca de control del accesorio (1 en la Figura 5-4).
2. Oprima completamente la palanca de control del accesorio contra la manija superior (2). Para detener las barrenas, suelte la barra.

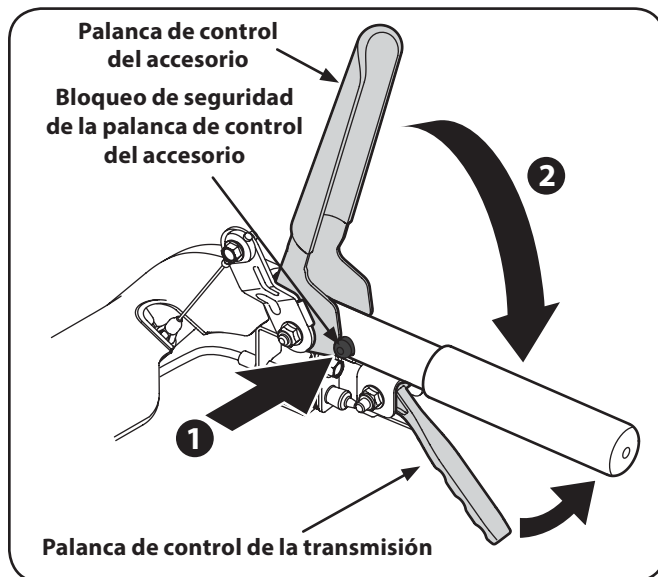


Figura 5-4

Pasadores de cuchilla

Las barrenas están ajustadas al eje espiral con cuatro pasadores de cuchilla y pasadores de chaveta. La máquina quitanieve ha sido diseñada para que los pasadores se quiebren si la barrena golpea un objeto extraño o un trozo de hielo. Consulte la sección sobre reparaciones y mantenimiento del presente manual a fin de obtener las instrucciones para el reemplazo de los pasadores de cuchilla.

Herramienta de limpieza del canal



¡ADVERTENCIA! Nunca use las manos para despejar un conjunto del canal tapado. Antes de destaparlo, apague el motor y permanezca detrás de las manijas de control hasta que todas las partes móviles hayan detenido.

La herramienta de limpieza del canal está sujeta convenientemente a la parte posterior de la caja de la barrena con un pasador de ensamblado. Si se acumulan nieve y hielo en el canal de descarga durante la operación, proceda como se indica a continuación para limpiar de manera segura el conjunto del canal y la abertura del canal:

1. Suelte tanto la palanca de control del accesorio como la palanca de control de la transmisión.
2. Apague el motor como se indica en el manual del motor.
3. Saque la herramienta de limpieza del pasador que la ajusta a la parte posterior de la caja de la barrena.
4. Use el extremo con forma de pala de la herramienta de limpieza para desplazar y recoger la nieve y el hielo que se formen cerca del conjunto del canal.
5. Vuelva a ajustar la herramienta de limpieza al pasador de montaje que está en la parte posterior de la caja de la barrena y ponga en marcha el motor del accesorio quitanieve como se indica en el manual del motor.

Parado en la posición del operador (detrás del accesorio quitanieve), engrane la palanca de control del accesorio durante unos segundos para eliminar la nieve o el hielo que hayan quedado en el conjunto del canal.

Instalación de la funda para nieve para obtener tracción adicional

Se incluyen dos fundas para nieve con el accesorio quitanieve para brindar tracción adicional al mover la nieve. Siga estos pasos para colocar las fundas para nieve:

1. Coloque una funda para nieve en la parte superior de la rueda de la base de potencia FLEX™, como se indica en la Figura 5-5, luego pase el resto de la funda por la parte inferior de la rueda.
2. Repita lo mismo en el otro lado.

Nota: Las fundas para nieve están diseñadas para usarse únicamente durante la remoción de nieve y no están diseñadas para usarse con ningún otro accesorio FLEX.

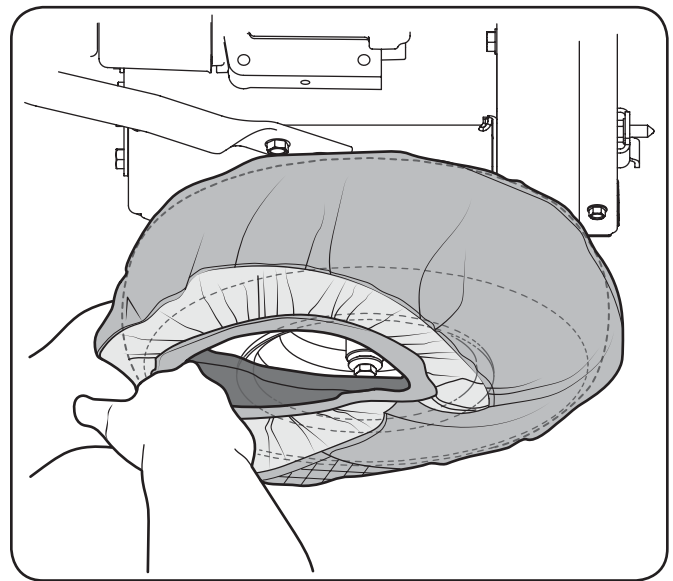


Figura 5-5

Mantenimiento

Recomendaciones generales

- Respete siempre las reglas de seguridad cuando realice cualquier tipo de mantenimiento.
- La garantía de esta máquina quitanieve no cubre elementos que han estado sujetos al mal uso o negligencia del operador. Para recibir el reembolso total de la garantía, el operador deberá dar mantenimiento a la máquina quitanieve como se indica en este manual.
- Revise periódicamente todos los sujetadores y los elementos de ferretería para comprobar que estén bien ajustados.



¡ADVERTENCIA! Antes de realizar tareas de servicio, reparación, lubricación o inspección, desengrane todos los controles y detenga el motor. Espere a que se detengan completamente todas las piezas móviles. Desconecte el cable de la bujía y póngalo haciendo masa contra el motor para evitar que se encienda accidentalmente. Utilice siempre anteojos de seguridad durante el funcionamiento o mientras ajusta o repara este equipo.

Motor

IMPORTANTE: Consulte el manual del operador de la base de potencia FLEX™ para obtener las instrucciones completas para el mantenimiento del motor.

Verifique las correas en V

Siga las instrucciones que se suministran a continuación para verificar el estado de las correas de transmisión cada 50 horas de funcionamiento.

1. Retire la cubierta plástica de la correa del accesorio quita nieve, para lo que debe sacar los tres tornillos autorroscantes que la sujetan. Consulte la Figura 6-1.

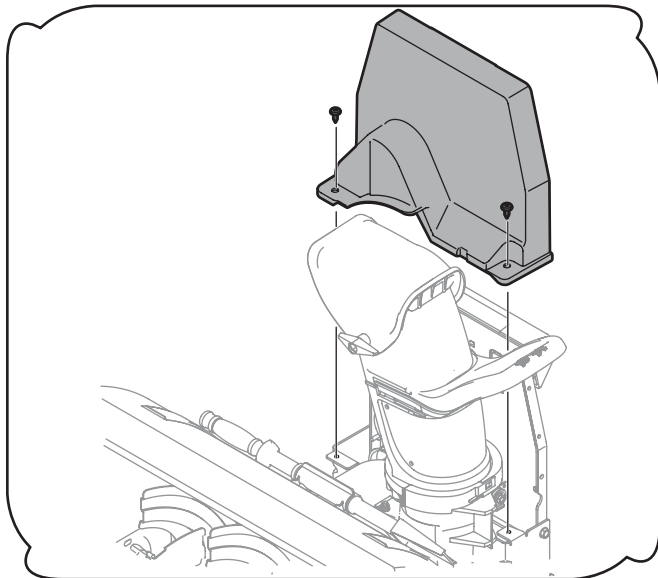


Figura 6-1

2. Verifique visualmente la existencia de correas raídas, agrietadas o excesivamente gastadas. Si es necesario, cámbielas de acuerdo con las instrucciones de la sección Servicio de este manual.

Ajuste del cable de transmisión de la barrena

Después de períodos de uso prolongado y durante el período de descanso, puede ser necesario ajustar el cable de transmisión de la barrena. Siga estos simples pasos para ajustar dicho cable:

1. Desacople el accesorio quitanieve de la base de potencia.



¡ADVERTENCIA! Apague siempre el motor de la base de potencia FLEX™ y saque la llave antes de intentar desacoplar la base de potencia del accesorio.

2. Retire la cubierta plástica de la correa del accesorio quita nieve, para lo que debe sacar los tres tornillos autorroscantes que la sujetan. Vuelva a consultar la Figura 6-1.
3. Observando la placa de montaje posterior del accesorio quitanieve, afloje (*pero no extraiga*) el tornillo hexagonal izquierdo que se muestra en la Figura 6-2.

Nota: El otro tornillo (que está ubicado a la derecha del tornillo hexagonal [*que se aflojó previamente*]) es un perno con reborde que no es necesario aflojar.

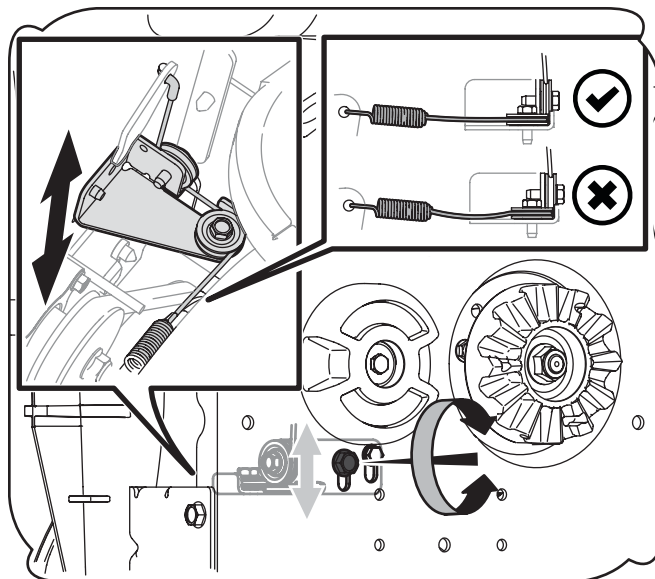


Figura 6-2

4. En el frente de la placa de montaje, mueva la guía tensora del cable hacia arriba o abajo para eliminar la holgura del cable de transmisión de la barrena. Consulte el recuadro izquierdo de la Figura 6-2.

Nota: Asegúrese de que el ajuste no aplica ningún tipo de presión sobre el cable y el brazo del actuador. Este ajuste se realiza simplemente para eliminar el exceso de holgura del cable de la barrena como se indica en el recuadro izquierdo de la Figura 6-2.

5. Ajuste el tornillo izquierdo para terminar este ajuste.

Placa de raspado y zapatas antideslizantes

La placa de raspado y las zapatas antideslizantes ubicadas en la base de la máquina quitanieve están sujetas a desgaste. Debe controlarlas periódicamente y reemplazarlas cuando sea necesario.

Para reemplazar las zapatas antideslizantes:

1. Retire los pernos del carro y tuercas que sujetan cada zapata antideslizante a la caja de la barrena. Vea la Figura 6-3.

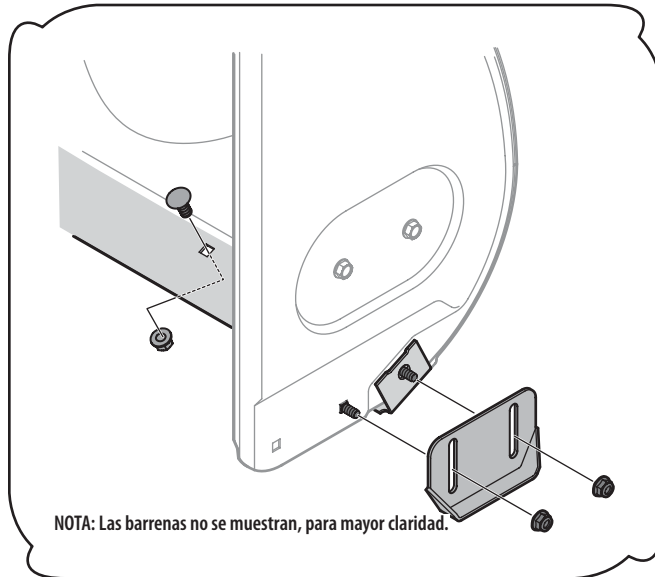


Figura 6-3

2. Vuelva a ensamblar nuevas zapatas antideslizantes con los elementos de ferretería que acaba de retirar. Compruebe que las zapatas antideslizantes están ajustadas para que queden parejas.
3. Nota: Consulte la sección Montaje y Configuración para obtener información sobre el ajuste de las zapatas antideslizantes.

Para retirar la placa de raspado:

1. Retire ambas zapatas antideslizantes y los elementos de ferretería, incluyendo los pernos del carro y las tuercas que unen la placa de raspado a la caja de la máquina quitanieve. Para ver la ubicación de la placa de raspado, consulte la figura 6-3.
2. Vuelva a ensamblar la placa de raspado nueva, asegurándose de que las cabezas de los pernos del carro se encuentren del lado interior de la caja.
3. Vuelva a instalar las zapatas antideslizantes. Ajuste bien.

Almacenamiento fuera de temporada

Si no se va a utilizar el accesorio quitanieve durante 30 días o más, o si es el final de la temporada de nieve y ya no existe posibilidad de que nieve, es necesario almacenar el equipo de manera adecuada. Siga las instrucciones de almacenamiento que se indican a continuación para garantizar el rendimiento máximo de la máquina quitanieve durante muchos años más.

1. Almacene el equipo en un área despejada y seca.
2. Si almacena la máquina en un lugar mal ventilado, debe realizarle un tratamiento antioxidante usando un aceite ligero o silicona para cubrir la máquina quitanieve.
3. Limpie el exterior del accesorio quitanieve.

Preparación del motor

IMPORTANTE: Consulte el manual del operador de la base de potencia FLEX™ para obtener las instrucciones completas para el mantenimiento del motor.

Lubricación

Eje de la barrena

Al menos una vez por temporada, quite los pasadores de cuchilla del eje de la barrena. Rocíe lubricante en el interior del eje y alrededor de los separadores y los cojinetes bridados que se encuentran en ambos extremos del eje. Vea la Figura 6-4.

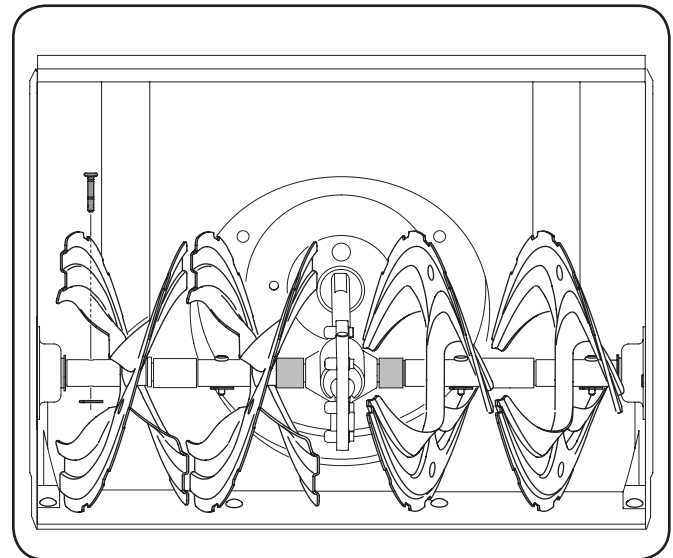


Figura 6-4

Ruedas

Retire ambas ruedas al menos una vez cada temporada. Limpie y recubra los ejes con una grasa para automotores multiuso antes de volver a colocar las ruedas.

Barrenas

Las barrenas están ajustadas al eje espiral con cuatro pasadores de cuchilla y pasadores de chaveta. La máquina quitanieve está diseñada de manera que los pasadores se quiebran si golpea un objeto extraño o una barra de hielo.

Si las barrenas no giran, verifique si los pasadores se quebraron. Si es necesario, reemplácelos por pasadores de cuchilla adecuados. Consulte el número de pieza correcto en la lista de piezas.



PRECAUCIÓN: No reemplace NUNCA los pasadores de cuchilla por pasadores o sujetadores estándar. Cualquier daño que sufra el engranaje de la barrena o cualquier otro componente por el uso de pasadores estándar NO estará cubierto por la garantía del accesorio quitanieve.

Reemplazo de los pasadores de cuchilla



PRECAUCIÓN: NUNCA cambie los pasadores de cuchilla de las barrenas por otra cosa que los pasadores de cuchilla de repuesto del fabricante del equipo original, N° de pieza 738-04124A y los pasadores de chaveta con unión curva 714-04040. Cualquier daño que sufra la caja de engranajes de la barrena o cualquier otro componente por no respetar la indicación precedente, NO estará cubierto por la garantía del accesorio quitanieve.



¡ADVERTENCIA! Siempre debe apagar el motor del accesorio quitanieve, como se indica en el manual del propietario del motor y retirar la llave antes de cambiar los pasadores de cuchilla.

1. Reemplace los pasadores de cuchilla como se indica la Figura 7-1.

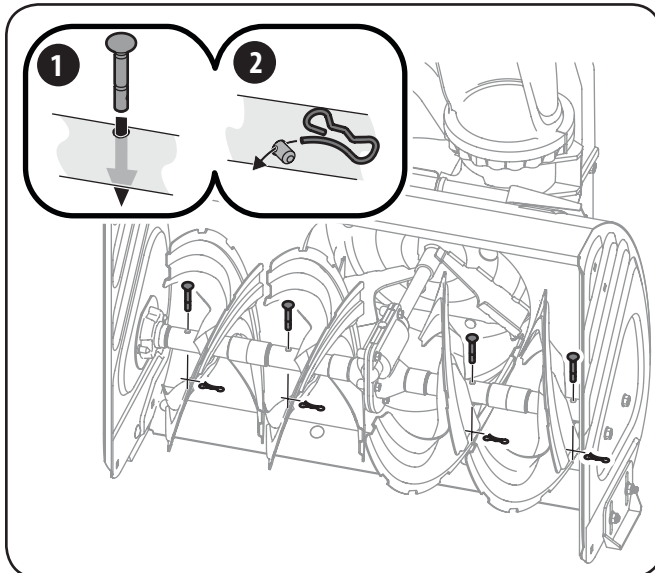


Figura 7-1

Nota: Con este accesorio se incluyeron dos pasadores de cuchilla de repuesto y pasadores de chaveta con unión curva.

Cambio de la correa de la barrena

2. Desacople el accesorio quitanieve FLEX™ de la unidad base FLEX™ usando el soporte e inclinando la unidad base hacia adelante. Mueva con cuidado la unidad base hacia atrás alejándola del accesorio quitanieve.
3. Estacione la unidad base FLEX™ en un lugar seguro y estable.
4. Gire el canal de descarga hacia la derecha como se muestra en la Figura 7-2.

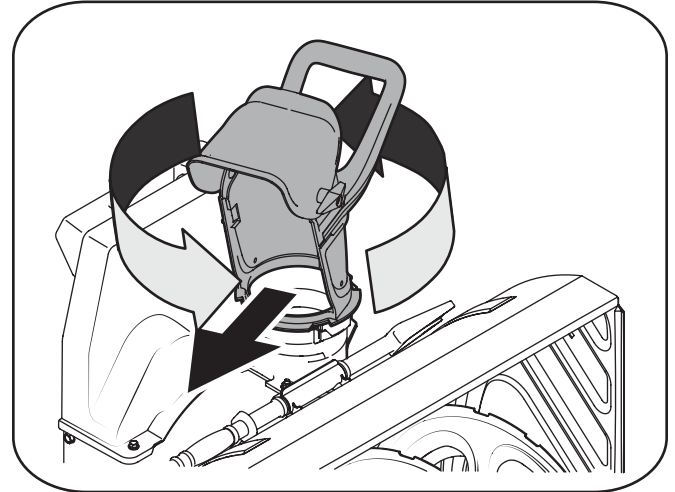


Figura 7-2

3. Extraiga los dos tornillos autorroscantes que se muestran en la Figura 7-3 y levante la cubierta de la correa alejándola del dispositivo. Deje la cubierta y los tornillos apartados y guárdelos.

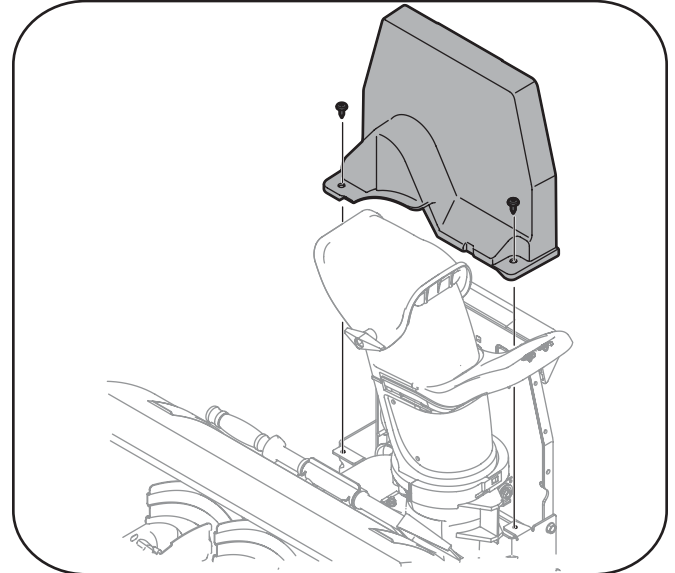


Figura 7-3

- Incline con cuidado el accesorio quitanieve FLEX™ hacia adelante sobre el frente de la caja de la barrena como se indica. Use la manija de montaje que se indicó en la Figura 7-4 para inclinar esta unidad hacia adelante. NUNCA use la manija del canal para inclinar esta unidad hacia adelante, para levantarla ni para ninguna otra función que no sea girar el canal de descarga a la izquierda o la derecha.

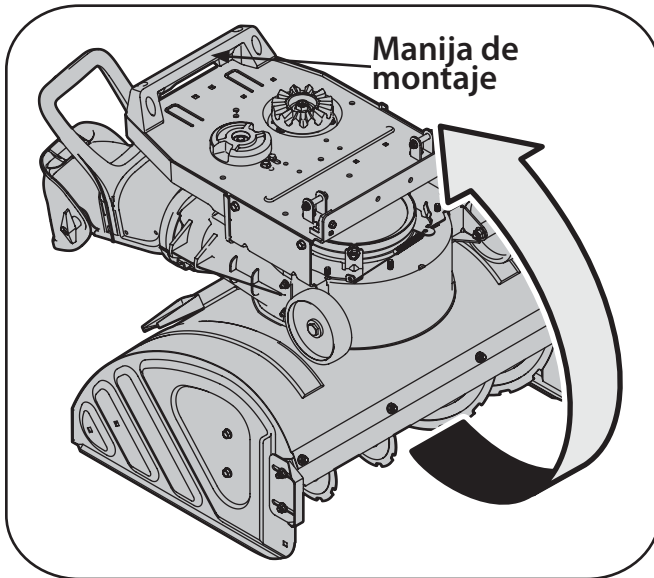


Figura 7-4

- Extraiga el perno de reborde y la tuerca de seguridad del guardacorrea y guárdelos para volver a colocarlos posteriormente. Consulte la Figura 7-5.

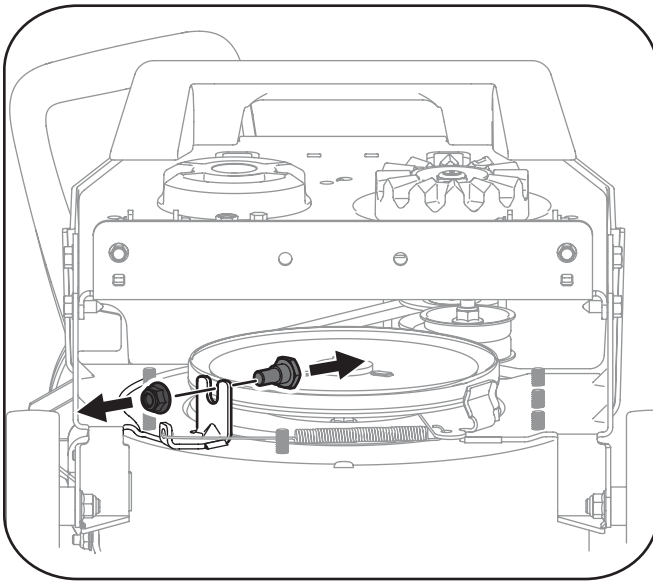


Figura 7-5

- Tire de la polea loca hacia afuera (1 en la Figura 7-6) para aflojar la tensión de la correa de la barrena.
- Haga rodar la correa para que salga de la polea de barrena grande, como se indica en 2 de la Figura 7-6, luego sáquela de la polea superior.

Nota: Al reinstalar la nueva correa, asegúrese de que pase por el INTERIOR de la polea loca, como se indica en 1 de la Figura 7-6.

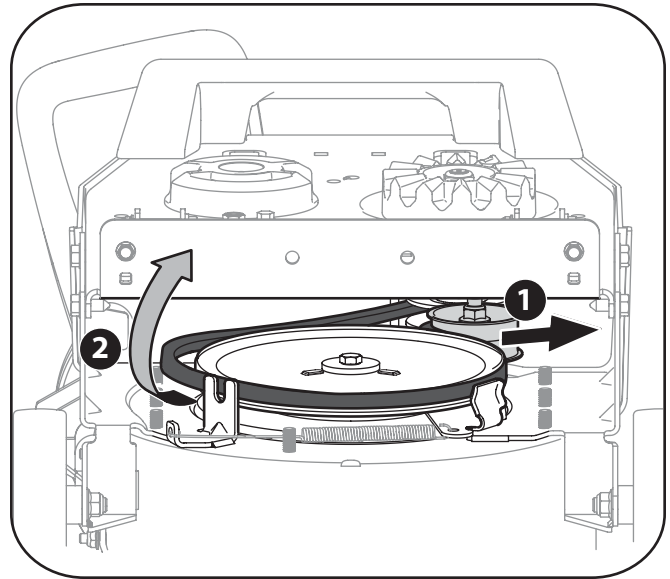

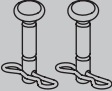
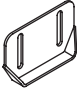
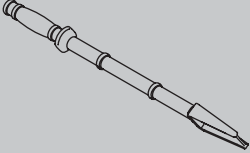
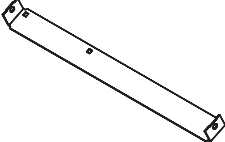



Figura 7-6

- Vuelva a instalar el perno con reborde guardacorrea, luego incline la unidad hacia arriba usando la Manija de montaje, como se detalla en , luego vuelva a colocar la cubierta de la correa con los dos tornillos roscados que se habían extraído.

Problema	Causa	Remedio
La vibración excesiva o ruido cuando se aplica el Anexo palanca de control.	<ol style="list-style-type: none"> 1. Uno o más de los topes de embrague falta o desgastado. 2. Las partes flojas o la barrena está dañada. 	<ol style="list-style-type: none"> 1. Vuelva a colocar los tres topes de embrague con el reemplazo kit ref. 753 a 08.457. 2. Detenga el motor de inmediato y desconecte el cable de la bujía. Compruebe por los posibles daños. Apriete todos los tornillos y tuercas. Repare según sea necesario. Si el problema persiste, lleve la unidad a un distribuidor de servicio autorizado.
Sinfines continúan girando	<ol style="list-style-type: none"> 1. Cable de ajuste. 	<ol style="list-style-type: none"> 1. Ajuste el cable del control de la barrena como se muestra en la sección de Mantenimiento en "Ajuste del cable de la unidad de la barrena".
La unidad no descarga la nieve	<ol style="list-style-type: none"> 1. Montaje del canal obstruido. 2. Pin (s) Shear esquilada. 3. Objeto extraño en la barrena. 4. Cable de control de la barrena necesita un ajuste. 5. Auger correa floja o dañada. 	<ol style="list-style-type: none"> 1. Detenga el motor y desconecte el cable de la bujía. Limpie el canal y en el interior de la caja de la barrena con la herramienta de limpieza o una varilla de salida. 2. Reemplace pasador de seguridad (s). 3. Detenga el motor de inmediato y desconecte el cable de la bujía. Retire el objeto de la barrena. 4. Ajuste el cable de control de la barrena. 5. Cambie la correa de la barrena.

Componente	Número de pieza y Descripción
	954-05071 Auger correa de transmisión
	738-04124A Shear Pin, 1.50 714-04040 Pajarita Chaveta
	784-5580 Zapato Skid, Standard (acero)
	931-2643 Herramienta de limpieza del canal de salida
	790-00121 Placa Shave
	753-08457 Pegatina Kit de embrague (6)

Teléfono (800) 828-5500 para solicitar piezas de reemplazo o un Manual de Repuestos completo (tenga el número de modelo y número de serie). Piezas descargas manuales también están disponibles de forma gratuita en www.troybilt.com.

GARANTÍA LIMITADA PARA EL ACCESORIO FLEX



La garantía limitada que se establece en el presente documento es otorgada por Troy-Bilt LLC al comprador inicial (como se define en este documento) en relación con el nuevo accesorio FLEX Troy-Bilt que está integrado por uno de los siguientes cuatro (4) accesorios de la base de potencia FLEX (identificado en adelante como el "Accesorio"): (i) cortadora de césped con capacidad para superficies amplias, (ii) máquina quitanieve, (iii) lavadora a presión o (iv) soplador de hojas. La presente garantía limitada no cubre los Sistemas de control de emisiones y no constituye una Declaración de garantía del control de las emisiones federal según lo definido por las leyes federales de los Estados Unidos. Consulte la Declaración de garantía del control de las emisiones federal que se incluye en el manual del operador de la base de potencia FLEX ("Base de potencia") para conocer las garantías que cubren los Sistemas de control de emisiones.

Alcance de la Garantía limitada

Troy-Bilt LLC ofrece la siguiente garantía limitada al Comprador Inicial para uso residencial u otro tipo de uso no comercial del accesorio de la base de potencia FLEX: excepto por las Exclusiones (que se definen en el presente documento), durante el Período de la Garantía (como se define en este documento), el Accesorio estará libre de defectos de fabricación (que incluyen la mano de obra y los materiales). El "Comprador inicial" es la primera persona en adquirir un nuevo Accesorio a un representante, distribuidor y/o minorista Troy-Bilt autorizado del mencionado accesorio. La garantía limitada es intransferible. Excepto que se disponga lo contrario en el presente documento, el período de la garantía limitada para este nuevo Accesorio adquirido por el Comprador inicial es de dos (2) años a partir de la fecha de la compra, como se indica en el comprobante de ventas original correspondiente al Accesorio ("Período de la Garantía").

Defectos en la mano de obra o en los materiales

Excepto por las Exclusiones, se garantiza que el Accesorio estará libre de defectos de fabricación en la mano de obra o los materiales durante el Período de la Garantía. Durante el Período de la Garantía, Troy-Bilt LLC reparará o reemplazará, a su juicio, cualquier pieza original que esté cubierta por la presente garantía limitada y que se determine que presenta algún defecto en la mano de obra o los materiales.

A fin de reunir los requisitos para la presente garantía limitada, la Unidad Base FLEX™:

1. Debe haberse adquirido a un minorista Troy-Bilt autorizado.
2. Debe haberla adquirido el Comprador inicial dentro del territorio de los Estados Unidos.
3. Debe haberse usado únicamente para fines residenciales u otro tipo de uso no comercial.
4. Debe haberse usado de una manera coherente con el uso normal y adecuado para el que fue diseñado el Accesorio. El Accesorio no está diseñado para arrendamiento ni para uso comercial.

¿Quién puede realizar reparaciones en virtud de la presente garantía?

A fin de reunir los requisitos para la garantía limitada según lo establecido en el presente documento, las reparaciones realizadas en virtud de esta garantía debe llevarlas a cabo un proveedor de reparaciones y mantenimiento Troy-Bilt autorizado.

Procedimiento para obtener reparaciones o mantenimiento en virtud de la presente garantía limitada:

A fin de ubicar a un proveedor de reparaciones y mantenimiento de la garantía Troy-Bilt, comuníquese con el representante, distribuidor y/o minorista Troy-Bilt autorizado o comuníquese con Troy-Bilt LLC por correo escribiendo a P.O. Box 361131, Cleveland, Ohio 44136-0019 o telefónicamente llamando al 1-877-282-8684 o inicie sesión en nuestro sitio Web en www.troybilt.com. La presente garantía limitada sobre un producto es otorgada por Troy-Bilt LLC y es la única garantía de producto que otorga Troy-Bilt LLC para este Accesorio. SE REQUIERE UNA COPIA DEL COMPROBANTE DE VENTAS PARA LAS TAREAS DE REPARACIÓN Y MANTENIMIENTO CUBIERTAS POR LA GARANTÍA

Lo que no cubre la presente garantía limitada.

La presente garantía limitada no cubre lo siguiente (las "Exclusiones"):

1. Los Accesorios adquiridos fuera del territorio de los Estados Unidos.
2. Los daños producidos por la falta de mantenimiento y/o un mantenimiento inadecuado, según se describe en el manual del operador.
3. El desgaste normal producto del uso del Accesorio.
4. El uso del Accesorio que no sea coherente con el uso para el que fue diseñado según se describe en las instrucciones de funcionamiento, que incluye, a título de ejemplo, el uso abusivo, inadecuado y/o negligente del Accesorio o cualquier uso que no sea coherente con las instrucciones que se incluyen en el Manual del Operador y/o no cumpla con ellas.

5. Los artículos desechables, consumibles o de mantenimiento de rutina que requieren reparaciones o mantenimiento como parte del mantenimiento normal, a menos que tales artículos presenten defectos que ocasionen fallas o un desgaste prematuro dentro de los primeros treinta (30) días. De corresponder, los artículos de desgaste normal incluyen, a título de ejemplo, las cuchillas, los neumáticos, las correas, los filtros, los fusibles y otros artículos consumibles
6. Cualquier Accesorio que haya sido alterado o modificado de una manera que no sea coherente con el diseño original del producto o de una manera no aprobada de alguna otra manera por Troy-Bilt LLC.
7. Las reparaciones en concepto de pintura o los reemplazos por defectos en la pintura (que incluyen los materiales y la aplicación) están cubiertos por un período de tres (3) meses.
8. Las llantas de ruedas están cubiertas por un período de tres (3) meses por defectos de fabricación.
9. La base de potencia FLEX está cubierta por una garantía limitada separada que se incluye en el manual del operador de la base de potencia FLEX.

La presente garantía no cubre y Troy-Bilt LLC rechaza todo tipo de responsabilidad en concepto de:

1. Pérdida de tiempo o pérdida de uso del Accesorio.
2. Costos de transporte y otros gastos incurridos en relación con el transporte del Accesorio desde y hacia el proveedor de reparaciones y mantenimiento Troy-Bilt autorizado.
3. Cualquier pérdida o daño a otros equipos o efectos personales.
4. Daños ocasionados por el rendimiento o el uso del Accesorio con cualquier producto que no sea la Base de potencia Flex.

Limitaciones:

1. NO EXISTEN GARANTÍAS IMPLÍCITAS, ENTRE LAS QUE SE INCLUYEN, A TÍTULO DE EJEMPLO, LAS GARANTÍAS IMPLÍCITAS DE COMERCIABILIDAD O ADECUACIÓN PARA UN PROPÓSITO EN PARTICULAR. NO SE APLICA NINGUNA GARANTÍA AL CABO DEL PERÍODO DE GARANTÍA CORRESPONDIENTE SEGÚN LO ESTABLECIDO PRECEDENTEMENTE EN RELACIÓN CON LAS PIEZAS DE ACUERDO CON SU IDENTIFICACIÓN. NINGUNA OTRA GARANTÍA EXPRESA, YA SEA ORAL O ESCRITA, EXCEPTO LA MENCIONADA ANTERIORMENTE, EXTENDIDA POR PERSONAS FÍSICAS O JURÍDICAS, INCLUIDOS LOS DISTRIBUIDORES O MINORISTAS CON RESPECTO A LOS PRODUCTOS, OBLIGARÁ A TROY-BILT LLC. DURANTE EL PLAZO DE LA GARANTÍA, EL ÚNICO RECURSO ES LA REPARACIÓN O EL REEMPLAZO DE LA PIEZA DEFECTUOSA, COMO SE INDICÓ ANTERIORMENTE. (ALGUNOS ESTADOS NO PERMITEN LAS LIMITACIONES DE LA DURACIÓN DE LAS GARANTÍAS IMPLÍCITAS, POR LO QUE LA LIMITACIÓN ANTES MENCIONADA PUEDE NO SER DE APLICACIÓN EN SU CASO).
2. LAS DISPOSICIONES ESTABLECIDAS EN EL PRESENTE DOCUMENTO PREVEN EL ÚNICO Y EXCLUSIVO RECURSO QUE SURGE DE LA VENTA. TROY-BILT NO SE HARÁ RESPONSABLE DE LAS PÉRDIDAS O LOS DAÑOS INDIRECTOS O EMERGENTES, INCLUIDOS SIN LIMITACIÓN, LOS GASTOS DE TRANSPORTE O LOS GASTOS RELACIONADOS, NI DE LOS GASTOS DE ARRENDAMIENTO PARA REEMPLAZAR TRANSITORIAMENTE UN PRODUCTO CUBIERTO POR LA GARANTÍA. (ALGUNOS ESTADOS NO PERMITEN LA EXCLUSIÓN O LIMITACIÓN DE LOS DAÑOS Y PERJUICIOS INCIDENTALES O DIRECTOS, POR LO QUE LAS EXCLUSIONES O LIMITACIONES MENCIONADAS ANTERIORMENTE PUEDEN NO SER DE APLICACIÓN EN SU CASO).
3. En ningún caso se obtendrá una compensación mayor al monto del precio de compra del producto adquirido. La alteración de las características de seguridad del producto anulará esta garantía limitada. Usted asume el riesgo y la responsabilidad por las pérdidas, daños o lesiones que sufran Usted y sus bienes y/u otras personas y sus bienes como consecuencia del uso, del uso incorrecto o de la imposibilidad de uso de este producto.

Relación de la ley estadual con esta garantía:

Esta garantía limitada le otorga derechos legales específicos, pero usted podría gozar de otros derechos que varían en razón de su lugar de residencia.

Troy-Bilt LLC, P.O. BOX 361131 CLEVELAND, OHIO 44136-0019; Teléfono: 1-800-828-5500, 1-330-558-7220
MTD Canada Limited - KITCHENER, ON N2G 4J1; Teléfono 1-800-668-1238

Free Manuals Download Website

<http://myh66.com>

<http://usermanuals.us>

<http://www.somanuals.com>

<http://www.4manuals.cc>

<http://www.manual-lib.com>

<http://www.404manual.com>

<http://www.luxmanual.com>

<http://aubethermostatmanual.com>

Golf course search by state

<http://golfingnear.com>

Email search by domain

<http://emailbydomain.com>

Auto manuals search

<http://auto.somanuals.com>

TV manuals search

<http://tv.somanuals.com>