

GARDEN WAY

by **TROY-BILT**[®]

SAFETY FIRST!

Before operating this equipment, read this Owner's Manual and the separate manual supplied by the engine manufacturer.

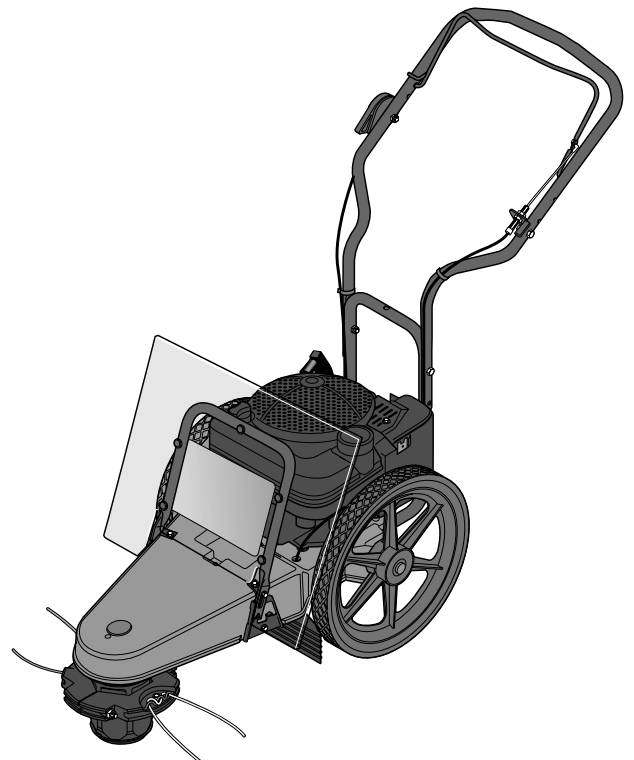
Model

52067 - 5HP

OWNER'S MANUAL

Trimmer/Mower

- Safety
- Assembly
- Features and Controls
- Operation
- Maintenance
- Parts List



GARDEN WAY INCORPORATED

Dear Owner:

You now own one of the finest trimmer/mowers available. It was designed to easily handle a wide variety of trimming, mowing and clearing chores. You will find the machine to be an invaluable tool in caring for your property.

Please carefully read this Manual which tells you how to safely and easily assemble, operate, and maintain your machine. *Be sure that you and any other operators carefully follow the recommended safety practices at all times. Failure to do so could result in personal injury or property damage.*

Of course, if you should ever have any problems or questions, please contact your local authorized service dealer or call the Factory.

We want to be sure that you are completely satisfied at all times.

Note: Be sure to fill out and return the Owner Registration Card that was supplied with this Manual.

See Back Cover for Customer Service information

Safety Alert Symbol



This is a safety alert symbol. It is used in this manual and on the unit to alert you to potential hazards. When you see this symbol, read and obey the message that follows it. Failure to obey safety messages could result in personal injury or property damage.

 **WARNING**

The engine exhaust from this product contains chemicals known to the state of California to cause cancer, birth defects, or other reproductive harm.

Table of Contents

SECTION 1: SAFETY	1
General Operation	1
Slope Operation	2
Children.....	2
Service	2
Safety Decals	3
SECTION 2: ASSEMBLY	4
Inspection After Delivery	4
Step 1: Unpack Unit	4
Step 2: Install Handlebars	4
Step 3: Attach Throttle Control Lever	4
Step 4: Add Motor Oil.....	4
Step 5: Check Trimmer Head Hardware	4
SECTION 3: FEATURES AND CONTROLS	6
SECTION 4: OPERATION	7
Pre-Start Checklist	7
Fill Fuel Tank	7
Adjust Handlebar Height	7
Adjust Line Cutting Height	7
Use Correct Diameter Trimmer Line.....	7
How to Use Trimmer Head Control Bail.....	8
Operating the Machine	8
Operating Tips and Techniques	9
SECTION 5: MAINTENANCE	10
Required Maintenance Schedule	10
Adjusting Trimmer Head Engagement.....	10
Removing and Replacing the Trimmer Head.....	11
Inspecting/Replacing the Drive Belt.....	11
Lubrication	13
Cleaning and Debris Removal	13
Compact Storage	13
Cleaning the Engine.....	13
Changing Trimmer Lines.....	14
General Engine Maintenance	15
Engine Oil Service	15
Air Cleaner Service.....	15
Spark Plug Service.....	15
Spark Arrester Screen Service	15
Engine Cleaning	15
Carburetor/Governor Control Adjustments.....	15
Throttle Control Adjustment.....	15
Off-Season Storage.....	15
Troubleshooting.....	16
PARTS LIST	17
CUSTOMER SERVICE INFORMATION	Back Cover

SPARK ARRESTER WARNING TO RESIDENTS OF CALIFORNIA AND SEVERAL OTHER STATES

Under California law, and under the laws of several other states, you are not permitted to operate an internal combustion engine using hydrocarbon fuels on any forest, brush, hay, grain, or grass covered land; or land covered by any flammable agricultural crop without an engine spark arrester in continuous effective working order.

The engine on the unit is an internal combustion engine which burns gasoline, a hydrocarbon fuel, and must be equipped with a spark arrester muffler in continuous effective working order. The spark arrester must be attached to the engine exhaust system in such a manner that flames or heat from the system will not ignite flammable material. Failure of the owner/operator of the unit to comply with this regulation is a misdemeanor under California law (and other states) and may also be a violation of other state and/or federal regulations, laws, ordinances or codes. Contact your local fire marshal or forest service for specific information about which regulations apply in your area.

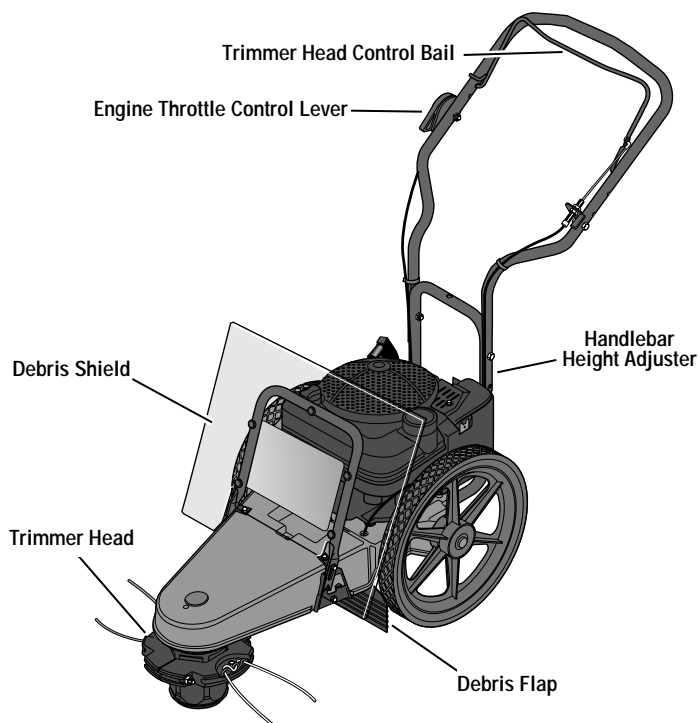


Figure 1-1

IMPORTANT

Safe Operation Practices for Walk-Behind Mower

This cutting machine is capable of amputating hands and feet and throwing objects. Failure to observe the following safety instructions could result in serious injury or death.

GENERAL OPERATION

1. Read, understand, and follow all instructions on the machine and in the manuals. Be thoroughly familiar with the controls and the proper use of the equipment before starting.

2. Do not put hands or feet near or under rotating parts. Keep clear of the rotating trimmer head and line at all times.



3. Only allow responsible adults, who are familiar with the instructions, to operate the trimmer/mower. Never let children or untrained adults operate this equipment.

4. Inspect the area where the machine is to be used. The machine can propel small objects at high speed, causing personal injury or property damage. Clear the area of objects such as rocks, toys, wire, bones, sticks, etc., which could be picked up and thrown by the trimmer line.

5. Be sure the area is clear of other people (particularly small children and pets) before mowing. Stop machine if anyone enters the area. Keep bystanders at least 50 feet from the area of operation.



6. Do not operate the machine when barefoot or wearing open sandals. Always wear substantial footwear.

7. Wear appropriate clothing such as a long-sleeved shirt or jacket and long trousers or slacks. Do not wear shorts.

8. Do not wear loose clothing— it could catch in the equipment.

9. Do not mow in reverse unless absolutely necessary. Always look down and behind before and while moving backwards.

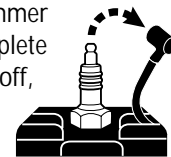
10. Do not operate the unit without proper guards, plates, or other protective safety devices in place.

11. Refer to provided instructions for proper operation and installation of accessories. Only use factory-approved accessories.

12. Stop trimmer head when crossing gravel drives, walks, or roads. Wait for trimmer lines to stop.

13. Stop engine and disconnect spark plug wire from spark plug whenever you leave the unit, clean the equipment, or replace trimmer line.

14. Wait until the trimmer head comes to a complete stop, shut the engine off, and disconnect the spark plug wire before installing or removing trimmer line. Be sure trimmer head is securely attached before operating equipment.



15. Mow only during daylight hours or when good artificial light is available.

16. Do not operate the machine while under the influence of alcohol or drugs, or when tired or ill.
17. If using machine in wet conditions, exercise extreme care to prevent loss of footing. Wear footwear that will improve traction. Avoid sloping ground. Hold the handlebars with two hands and walk; never run.
18. Release Trimmer Head Control Bail before starting engine.
19. If the unit starts to vibrate abnormally, stop the engine and disconnect the spark plug wire. Check immediately for the cause. Vibration is generally a warning of trouble.
20. Always wear approved safety goggles or safety glasses with side shields when operating equipment. The use of any powered machine can result in foreign objects being thrown by highspeed rotating parts which can cause personal injury or property damage. Stay away from glass and other easily thrown or breakable objects.
21. Wear work gloves and sturdy footwear when using this equipment. Leather work shoes or short boots are ideal. They protect ankles and shins from rocks, pebbles, splinters, etc.
22. It is advisable to wear protective headgear to prevent the possibility of being hit by small flying particles, etc.
23. Before each use, inspect the Throttle Control Lever and cable. Make sure the cable is free and the lever functions properly.
24. Watch for traffic when near or when crossing roadways.
25. Never attempt to carry children or other passengers on the equipment. They could fall off and be seriously injured, or they could interfere with safe operation of the equipment.
26. The machine is equipped with a plastic debris shield in front of the engine and a rubber debris flap under the frame. They must be in place and working properly. Never remove or cause the debris shield or debris flap to cease working. If either of these parts is missing or not working properly, do not use the equipment until this situation is corrected.

27. Be aware of where the machine is discharging materials and do not point the discharge at anyone.
28. Never run the engine in an enclosed area. Engine exhaust contains carbon monoxide, a deadly gas that is odorless, colorless and tasteless. Always run the engine outdoors where there is adequate ventilation.
29. Slow down before turning.
30. Shut off engine when not trimming or mowing.
31. Use extra care when loading or unloading machine into a trailer or truck.
32. Use this equipment for its intended purpose only.
33. Always make sure the handlebars are tight and comfortably positioned. They should never be in an awkward position for the operator.

SLOPE OPERATION

Slopes are a major factor related to loss of control and tip-over accidents which can result in severe injury or death. All slopes require extra caution. If you can not back up the slope or you feel uneasy on a slope, do not mow it.

Do:

Mow across the face of slopes; never up and down. Exercise extreme caution when changing direction on slopes. Avoid slopes greater than 15°.

Remove objects such as rocks, tree limbs, etc.

Uneven terrain could overturn the machine. Watch for holes, ruts, or bumps. Tall grass can hide obstacles.

Use slow speed.

Use extra care with grass catchers or other attachments. These can change the stability of the machine. Keep all movement on the slopes slow and gradual.

Avoid starting or stopping on a slope.



Do Not:

Do not mow near drop-offs, ditches, or embankments. You could lose footing or balance.

Do not mow on very steep slopes.

Do not mow on wet grass. Slippery footing can be hazardous.

CHILDREN

Tragic accidents can occur if the operator is not alert to the presence of children. Children are often attracted to the machine and the mowing activity. Never assume that children will remain where you last saw them.

1. Keep children out of the mowing area and under the watchful care of a responsible adult.
2. Be alert and turn machine off if children enter the area.
3. Before and while moving backwards, look behind and down for small children.
4. Never allow children to operate the machine.
5. Use extra care near blind corners, shrubs, trees, or other objects that may obscure vision.
6. Never carry children, even with the trimmer head stopped. Children may fall off and be seriously injured or interfere with safe machine operation.
7. Do not allow children nearby if you are working.

SERVICE

1. Use extra care in handling gasoline and other fuels. They are flammable and their vapors are explosive. To help prevent a fire or explosion:
 - a) Use only an approved container.
 - b) Never remove gas cap or add fuel when the engine is running. Let engine cool before refueling. Do not smoke.
 - c) Never refuel the machine indoors. Fill the fuel tank outdoors and with extreme care.
 - d) Never store the machine or fuel container inside where there is an open flame, such as a water heater, etc.

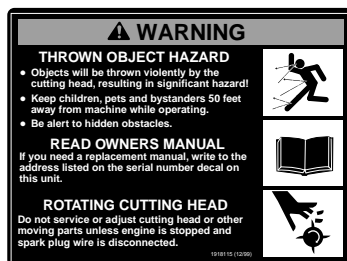
- e) Replace caps on the fuel tank and fuel container and clean up spilled fuel before starting engine. Move machine away from any gasoline fumes before starting the engine.
 - f) Keep matches, smoking materials, open flames, and sparks away from the fuel tank and fuel container.
 - g) Leave 1/2" air space at the top of the fuel tank to allow for fuel expansion.
2. Never run the engine inside a closed area.
 3. Never clean, or make adjustments or repairs with the engine running. Disconnect the spark plug wire and keep the wire away from the plug to prevent accidental starting. Remove key on electric start models.
 4. Keep all nuts and bolts tight, especially the trimmer head attachment bolts, and keep equipment in good condition. Check mounting hardware on trimmer head every time you change trimmer line and prior to each use.
 5. Never tamper with safety devices. Check their proper operation regularly.
 6. To reduce fire hazard, keep mower free of grass, leaves or other debris build-up. Clean up oil or fuel spills. Let machine cool before storing.
 7. After striking an object, stop the engine and disconnect the spark plug wire. Inspect the machine and repair, if necessary, before restarting.
 8. Never make adjustments or repairs while engine is running.
 9. Components subject to wear, damage and deterioration could expose moving parts or allow objects to be thrown. Frequently check components and replace with factory recommended parts, when necessary. Regularly inspect the trimmer head and debris shield. Make sure they are not bent, damaged, or loose.
 10. Only use eighteen-inch long .130" or .155" diameter trimmer line. Never use other lengths, diameters or material as trimmer line.
 11. Trimmer line moves at high speed and can cut. Always stop the engine and let all moving parts stop before replacing the trimmer lines. Let the engine cool.



12. Do not change the engine governor setting or overspeed the engine. The governor controls maximum safe operating speed and protects the engine and all moving parts from damage caused by overspeed. Authorized service shall be sought if a problem exists.
13. Do not touch engine parts which may be hot from operation. Allow parts to cool completely before inspecting, cleaning or repairing the unit.
14. Maintain or replace safety and instructional decals. Refer to the Parts List for replacement decal information.
15. Use only original-equipment replacement parts. Parts manufactured by others could present safety hazards and affect performance even though they may fit on this trimmer/mower.
16. Remember– the end of the season is a good time to inspect equipment prior to storage.
17. To guard against engine overheating, always keep the engine debris guard mounted and clean.

Safety Decals

Make certain that all safety decals on this equipment are kept clean and in good condition. The decals are shown (at reduced sizes) below. If you need a replacement decal, please refer to the Parts List in this Manual.



On top of deck



On left handlebar



On right handlebar



On engine, above muffler

WARNING

To prevent personal injury or property damage, do not attempt to start the engine until all assembly steps are complete and you have read and understand all of the safety and the operating instructions in this Manual.

INTRODUCTION

Carefully follow these assembly steps to correctly prepare your machine for use. It is recommended that you read this Section in its entirety before beginning assembly.

INSPECTION AFTER DELIVERY

Inspect your machine immediately after it has been delivered. Make sure that neither the carton nor the contents have been damaged.

If you find or suspect any damage, contact the carrier (trucking company) right away. Inform them of the specific damage and that you wish to file a claim. To protect your rights, be sure to put this in writing to the carrier within 15 days after your machine arrives. Please let us know if you need assistance with this matter.

IMPORTANT: The engine is shipped without motor oil in its crankcase. Motor oil must be added to the engine before starting.

NOTE: LEFT and RIGHT sides of unit are as viewed from operator's position behind the handlebars.

ASSEMBLY STEPS**Tools/Supplies Needed:**

- (1) Utility Knife or Scissors
- (2) 1/2" (or adjustable) Wrenches
- (2) 7/16" Wrenches (one with a boxed end)
- Motor Oil (see engine manual for oil specifications and quantity required)

STEP 1: Unpack Unit

1. Remove the protective packaging material (plastic film and cardboard) from the handlebars and the unit.
2. Remove the handlebars from the insert and carefully (do not pinch or kink the attached cable) put them aside before removing the unit from the shipping carton.
3. Compare the parts inside the carton with the following list:
 - Machine Assembly (A, Figure 2-1)
 - Extra Trimmer Line (B, Figure 2-1): six pieces of heavy-duty .130" dia. line and six pieces of extra heavy-duty .155" dia. line.
 - The following items are in a separate package:
 - (3) Plastic cable ties
 - (1) Hex Hd. Screw, 1/4-20 x 2
 - (1) Hex Locknut, 1/4-20
 - (2) Hex Hd. Screw, 5/16-18 x 2
 - (2) Hex Locknut, 5/16-18

STEP 2: Install Handlebars

1. Cut the plastic tie and remove the tape that secures the control bail (G, Figure 2-2) to the handlebar (A).

NOTE: Do not pinch or kink the attached cable while unfolding and securing the handlebars.

2. Carefully lift the handlebars (A, Figure 2-2) to rear of the unit and align the handlebar legs with the handlebar support bracket (B).
3. Route the trimmer head control cable (C, Figure 2-2) to the outside of the handlebar.
4. Select the low or high height setting holes in the handlebar legs and attach the legs with the two 5/16-18 x 2 hex hd. screws (D) and 5/16-18 locknuts (E) from the hardware bag.

IMPORTANT: Adjust the handlebars as close as possible to waist level so that your arms are at a comfortable height. This position will result in less pressure on the mower wear cup, making the unit easier to roll and reducing wear to the wear cup.

5. Use two cable ties (F, Figure 2-2) to secure the trimmer head control cable (C) to the handlebar as shown.

STEP 3: Attach Throttle Control Lever

1. One end of the throttle control cable (H, Figure 2-3) is attached to the engine. Gently unwind the cable from its shipping position and position the Throttle Control Lever (I) on the outside of the right handlebar, next to the throttle control decal.
2. Secure the Throttle Control Lever to the handlebar with a 1/4-20 x 2 hex hd. screw (J, Figure 2-3) and 1/4-20 hex locknut (K).
3. Use a cable tie (L, Figure 2-3) to secure the throttle cable (H) to the handlebar as shown.

STEP 4: Add Motor Oil

1. The engine is shipped without motor oil which **MUST BE ADDED** before the engine is started.
2. See the separate engine manual for filling instructions and for oil specifications. The engine must be level when checking the oil level. In ambient temperatures above 40°F, use a high-quality, SAE #30 weight detergent oil classified for Service SF, SG or SH. Use no special additives. Do not mix oil with fuel.

STEP 5: Check Trimmer Head Hardware

Check that the two bolts (M, Figure 2-4) on the trimmer head are tightened securely. The trimmer head can be rotated to check the bolts.

IMPORTANT: The trimmer head hardware is designed to be permanently installed and is not removable. Do not attempt to replace it with non-factory specified hardware.

NOTE: The two holes (one is covered with a plastic plug) on the top, front end of the mower deck are access holes that allow certain parts to be serviced.

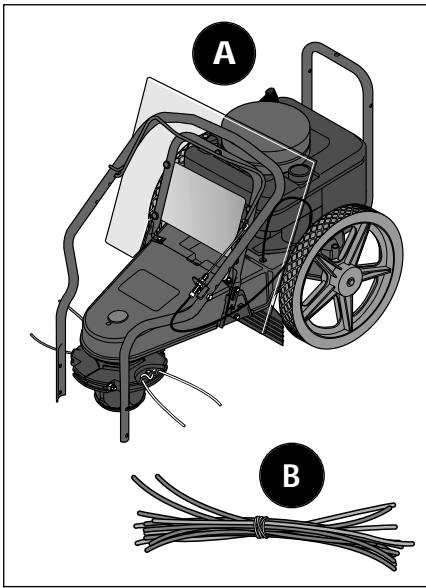


Figure 2-1

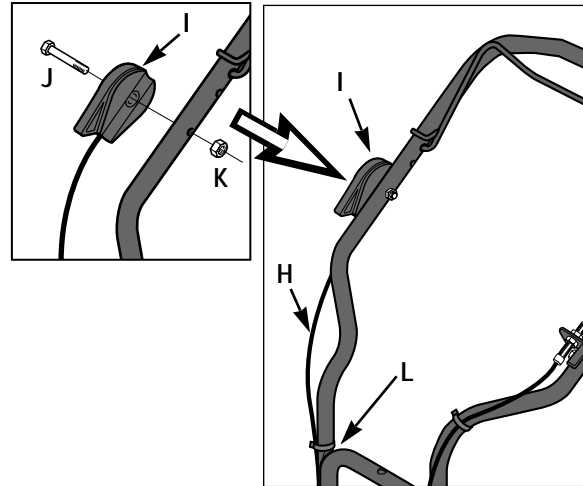


Figure 2-3: Attach throttle lever to right-side handlebar.

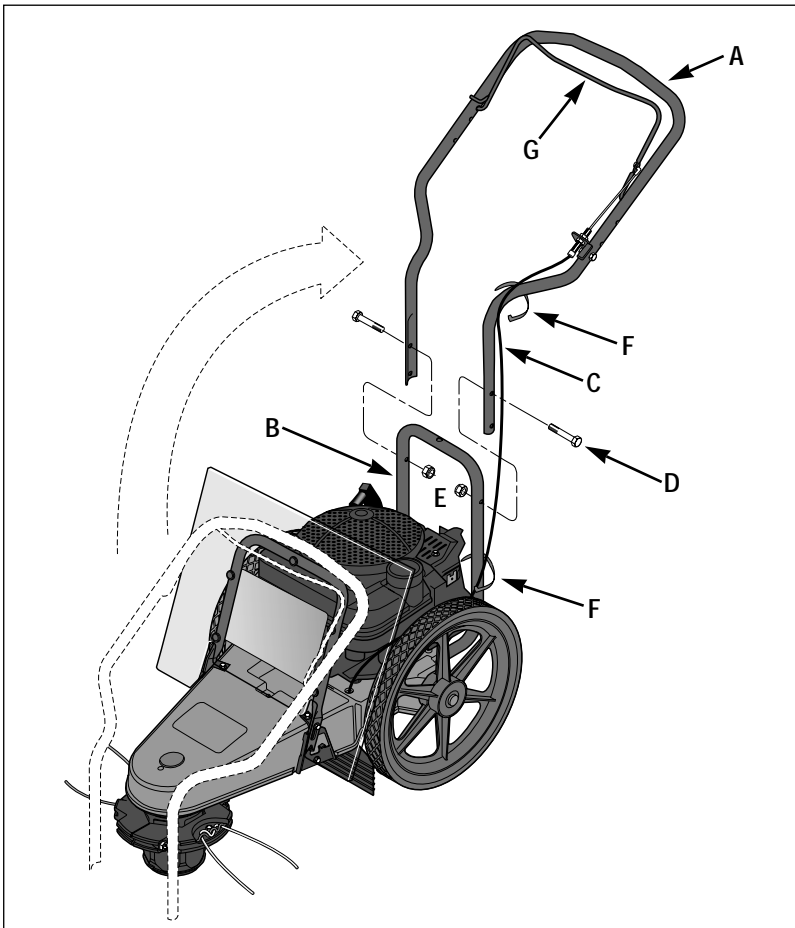


Figure 2-2: Handlebar installation.

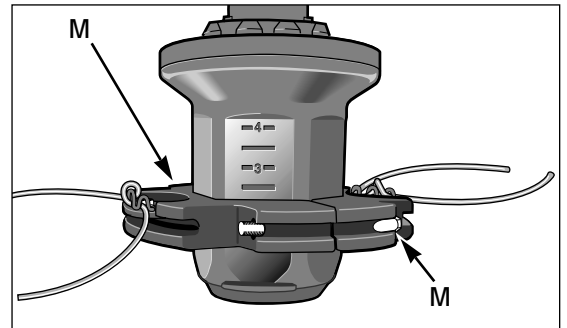


Figure 2-4: Check trimmer head hardware for tightness.

Features and Controls

OPERATING SYMBOLS

Various symbols (shown here, with word descriptions) are used on the unit.



ENGINE
STOP



FAST



SLOW



STOP



TRIMMER
HEAD



ENGAGE
BAIL



DISENGAGE
BAIL

⚠ WARNING

Before operating your machine, carefully read and understand all safety, controls and operating instructions in this Manual, the separate Engine Owner's Manual, and on the decals on the machine.

Failure to follow these instructions can result in serious personal injury.

FEATURES AND CONTROLS

This Section describes the location and function of the features and controls on your machine. Refer to the "Operation" Section for detailed operating instructions.

IMPORTANT: Refer to the separate engine manual for detailed information about the controls on the engine.

Trimmer Head Control Bail

Pull the control bail (A, Figure 3-1) up against the handlebar (engage bail) to start rotation of the trimmer head. Let go of the control bail (disengage bail) to stop the trimmer head.

Cutting Height Settings

The trimmer head (B, Figure 3-1) is adjustable to an infinite number of height settings from 1-1/2"-to-4-1/2".

Trimmer Line Holders

The two trimming lines are secured to line holders (C, Figure 3-1). Replacing the trimmer lines is easy (refer to "Changing Trimmer Lines" in Section 5).

Handlebar Height Adjustment

The handlebar (D, Figure 3-1) has two height settings (see "Adjust Handlebar Height" in Section 4).

Plastic Debris Shield

A heavy-duty plastic shield (E, Figures 3-1 and 3-1A) protects the engine from all manner of debris. The shield tilts forward for access to the engine.

Engine Throttle Control Lever

Use this lever (F, Figure 3-1) to regulate engine speed and to stop the engine. The throttle settings are shown on the decal next to the lever.

Engine Recoil Starter

The recoil starter is located at the rear of the engine (G, Figure 3-1) and is used to pull start the engine.

Fuel Primer Button

The fuel primer button (H, Figure 3-1) allows a cold engine to be primed for faster, easier starting.

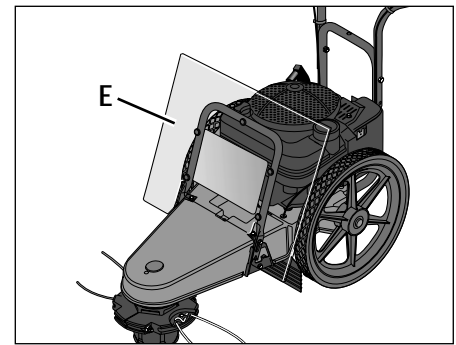


Figure 3-1A: Debris shield in operating position.

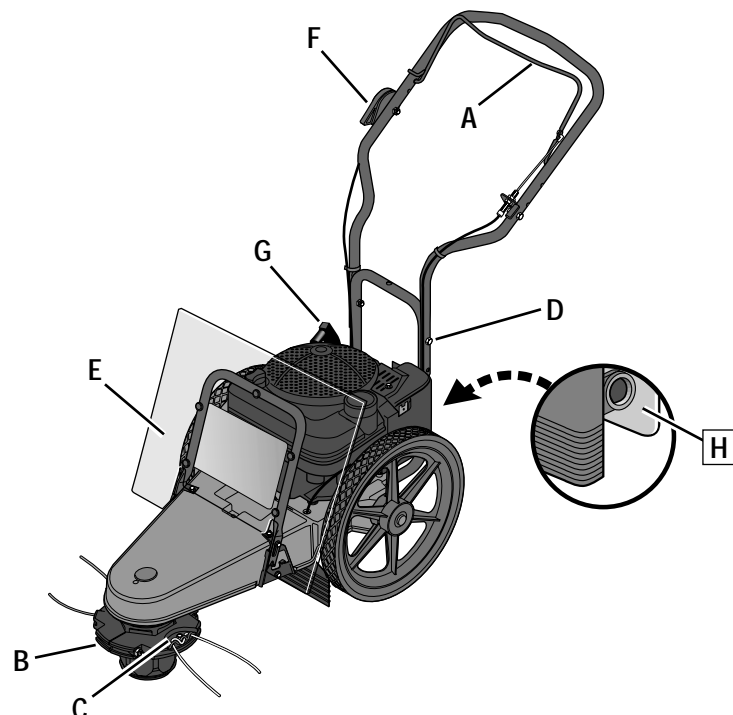


Figure 3-1: Features and controls

⚠ WARNING

Before operating your machine, carefully read and understand all safety (Section 1), controls (Section 3) and operating instructions (Section 4) in this Manual, in the separate Engine Owner's Manual, and on the decals on the machine.

Failure to follow these instructions can result in serious personal injury.

INTRODUCTION

Read this Section thoroughly before you start the engine. As with any piece of outdoor power equipment, getting the "feel" for how your machine operates and knowing the best techniques for particular jobs are important to overall good performance.

NOTE: All references to LEFT, RIGHT, FRONT and REAR of the machine are determined by standing in the operator's position.

PRE-START CHECKLIST

1. Review Section 1: "Safety" and also Section 3: "Features and Controls".
2. Check for loose or missing hardware. Tighten or replace as needed.
3. Check that the engine oil level is up to the "FULL" mark on the oil dipstick. (See the engine manual for instructions.)*
4. Check the fuel level. (See the engine manual and this page for instructions.)*
5. Check the Trimmer Head Control Bail and the Engine Throttle Control Lever for freedom of movement.
6. Select the cutting height (see "Adjust Line Cutting Height" in this Section).
7. Check handlebar height position.
8. Carefully check the area to be trimmed and remove any debris.
9. Install the correct diameter trimmer line (see "Use Correct Diameter Trimmer Line" in this Section).
10. Check that the spark plug wire is securely attached to the spark plug.

* Clean debris from around fuel cap, oil dipstick, and engine before checking oil level or adding gasoline.

FILL FUEL TANK**⚠ DANGER**

GASOLINE IS HIGHLY FLAMMABLE AND ITS VAPORS ARE EXPLOSIVE.

Follow gasoline safety rules in this Manual (see Section 1) and in the separate Engine Owner's Manual.

Failure to follow gasoline safety rules and instructions can result in serious personal injury and property damage.

1. Lift and tilt plastic debris shield (E, Figure 3-1) forward.
2. Clean fuel fill area and engine each time before fuel is added. (See "Cleaning Debris" in engine manual.)
3. Add gasoline according to the directions in the engine manual. Follow all instructions and safety rules carefully.
4. Securely replace the fuel tank cap and the fuel container cap. Promptly wipe up any fuel spills.
5. Lift and tilt the debris shield back, then push it down to secure it.

ADJUST HANDLEBAR HEIGHT

To adjust handlebar height, refer to "Install Handlebars" in the "Assembly" Section of this Manual.

⚠ CAUTION

Before adjusting handlebar height, stop engine and wait for all moving parts to stop, disconnect spark plug wire and prevent it from touching spark plug.

Failure to comply could result in personal injury or property damage.

ADJUST LINE CUTTING HEIGHT**⚠ CAUTION**

Before adjusting the cutting height, shut off the engine, wait for all moving parts to stop, allow the engine to cool, disconnect the spark plug wire and prevent it from touching the spark plug.

Failure to comply could result in personal injury or property damage.

The cutting height of the trimmer line can be adjusted between 1-1/2" and 4-1/2" high in infinite increments. Start at a higher setting and make adjustments as needed.

In general, use higher settings to handle taller material and to cope with tougher cutting conditions. Use any trimming height for less demanding conditions. To adjust the cutting height:

1. The cutting line height can be changed when the wear cup is resting on the ground. If necessary, tip the unit back slightly for a better view (do not tip unit all the way back or motor oil may flow to the exhaust area and the engine may smoke for several seconds when restarted).
2. Use a 1/2" wrench to loosen both bolts (A, Figure 4-1) securing the trimmer head. Do not try to loosen the two nuts.

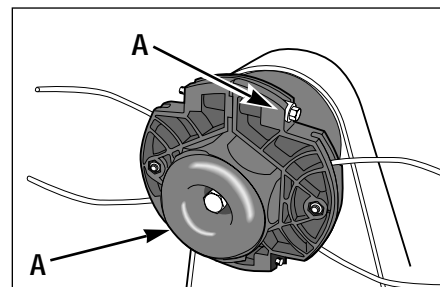


Figure 4-1

3. The cutting heights are stamped into the spindle head (Figure 4-2). Move the top of the trimmer head to the desired setting.

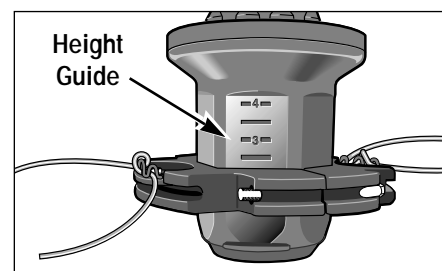


Figure 4-2

4. Tighten both trimmer head bolts securely (to 75 in/lbs.) and equally.

USE CORRECT DIAMETER TRIMMER LINE

For tougher cutting conditions, use two (or four) sections of the thicker, .155" diameter extra-heavy duty line.

For less demanding conditions, use two sections of the thinner, .130" diameter heavy-duty line.

The thicker line has the heft to chop through tougher materials, while the thinner line provides a more precise cut. To change trimmer lines, refer to "Changing Trimmer Lines" in Section 5.

NOTE: The thinner line is also recommended for use near trees or shrubs to help prevent girdling (cutting the bark).

HOW TO USE TRIMMER HEAD CONTROL BAIL

The Trimmer Head Control Bail (A, Figure 4-3) is used to start and stop trimmer head motion.

1. Leave the control bail in the disengaged (released) position when starting the engine to prevent the trimmer head from turning when the engine starts. See Figure 4-3.
2. When the engine is running, pull and hold the control bail up against the handlebar (Figure 4-4) to start rotation of the trimmer head.
3. Let go of the control bail to stop the trimmer head. The control bail should spring forward to the disengaged position. If it doesn't, do not use the machine until the control bail has been repaired.

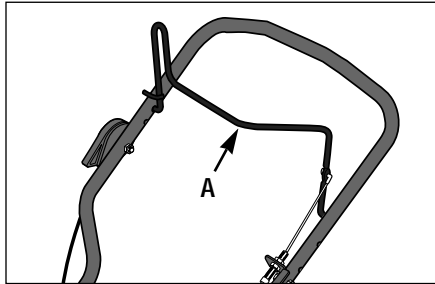


Figure 4-3: Control bail disengaged.

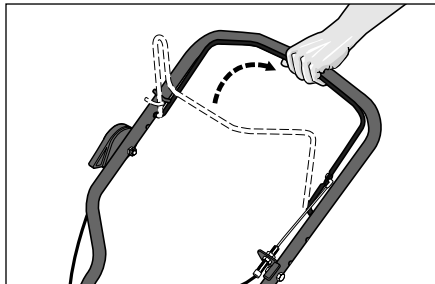


Figure 4-4: Control bail engaged.

⚠ WARNING

If the trimmer head control bail is not operating properly, shut off the engine, disconnect the spark plug wire and move wire away from plug.

Adjust or repair the control bail before using the trimmer/mower.

Failure to follow this instruction could result in personal injury or property damage.

OPERATING THE MACHINE

Once you have read and understood the sections in this Manual on "Safety", "Assembly", "Features and Controls", and "Operation", you are ready to start and operate your machine.

Starting The Engine

1. Complete the "Pre-Start Checklist" in this Section of the Manual. You must wear safety glasses or goggles.
2. Move the unit to the work area.
3. Connect the spark plug wire to the spark plug.
4. Put on safety-approved eye protection.
5. Release (disengage) the Trimmer Head Control Bail (A, Figure 4-3).

6. Start the engine as follows:
 - a) Put the Engine Throttle Control Lever in the FAST position.
 - b) Push in the fuel primer button as instructed in the engine manual. NOTE: Do not use primer to restart a warm engine after a short shut-down.
 - c) Pull recoil start rope slowly until resistance is felt. Then pull rope out rapidly to start engine. Let rope back in slowly. NOTE: If engine fails to start after three pulls, repeat steps b-c.

To Start the Trimmer Head

1. Stand in the operator's position directly behind the handlebars.
2. Slowly pull the Trimmer Head Control Bail (Figure 4-4) against the handlebars to activate the trimmer head. Use the Engine Throttle Control Lever to adjust the turning speed of the trimmer head.
3. Once the trimmer head is revolving, push the unit forward to trim.

To Stop the Trimmer Head

Let go of the Trimmer Head Control Bail.

To Stop the Engine

Put the Engine Throttle Control Lever in the STOP position. (If time allows, first move throttle lever to SLOW setting before stopping engine.)

NOTE: If unit is operated in a stationary position with the wear cup in contact with dry vegetation, significant heat will result that may deform the plastic spindle or scorch vegetation.

OPERATING TIPS AND TECHNIQUES

Tips for Precision Cutting

For the most precise cutting possible, select the most appropriate line cutting height and trimmer line size (thickness) for the conditions.

⚠ WARNING**THROWN OBJECT HAZARD!**

- Objects such as rocks, pebbles, and small debris will be thrown violently by the cutting head, resulting in significant hazard to eyes and exposed body parts.
- Always wear safety-approved eye protection and suitable clothing and footwear.
- Keep children, pets and bystanders 50 feet away from machine while operating.
- Be alert to hidden obstacles.

Failure to comply could result in injury or property damage.

When mowing, let the cutting head rest lightly on the ground and do not lift up or push down on the handlebars. This technique allows the cutting head to follow the ground contour closely, resulting in the most even cut possible. Also, be sure to ease into heavy growth to prevent overwhelming the machine.

Trim When Wet or Dry

Grass and most other materials are most efficiently trimmed when dry. But the unit will do a fine job even with damp or wet materials. When conditions are moist or damp, be sure to clean debris off the machine regularly to keep cutting efficiency high. And watch your footing!

Clean Unit Frequently

Clean under the mower deck frequently to remove any grass buildup. Also clean around the muffler and on top of engine. See the cleaning instructions in Section 5: "Maintenance."

Do Not Let Trimmer Lines Become Too Short

Once the trimmer lines are worn to less than 1/2 their original length, trimming jobs begin to take far longer than they should. As a general guideline, once line length becomes half of its original length, it's time to change to new lines.

Use Extreme Caution on Slopes

When operating on sloping ground, use extreme caution and common sense to avoid possible injury or property damage.

Do not mow on excessively steep slopes! Avoid slopes if greater than 15° or whenever footing is unsure. If a slope is difficult to stand on, it is probably too steep to trim or mow. In this case, it may be wiser to establish a permanent ground cover on this area.

Do not trim on slopes when the ground is slippery. Trim across the face of a slope, not up and down. Slow down and exercise caution when changing direction on slopes.

Use Correct Walking Speed

Use a travel speed that is suitable for the mowing conditions. You'll get better results at slower walking speeds if the growth is tall or lush. Shorter or less dense growth can be cut at faster walking speeds.

Vary Throttle Speed For Conditions

The vast majority of trimming and mowing jobs will yield the best results if the engine throttle is set at the fastest engine speed.

Less demanding jobs (and projects that require very precise cutting) will yield better results if the engine speed is backed off somewhat. (For example, damage to trees and shrubs can be avoided by reducing the engine speed, using the lighter .130" diameter line, and by keeping a safe distance away.)

Again, once you begin a particular job and get a "feel" for the conditions, you will be able to make adjustments for the best possible results.

Keep Mowed Side to Your Right as You Move Ahead

The unit feeds cut materials to the right side. Stay on the right side of unmowed growth as you move along.

Trimming/Mowing Quick Reference Chart				
This Quick Reference Chart is provided as a general reference. Experiment with your unit to determine the best settings for the conditions.				
CONDITION	Cutting Height (Note 1)	Line Diameter (Notes 2 & 6)	Throttle Speed (Note 3)	Walking Speed (Note 4)
Light Growth	Any	.130" or .155"	Fast	Any
Tall Growth	Start high, progressively lower	.130" or .155"	Fast	Slow Pace
Heavy/Tough Growth	Any	.155"	Fast	Slow Pace
Trimming Near Trees and Shrubs (Note 5)	Any	.130" (Note 7)	Slow	Slow Pace

NOTES:

1. See "Adjust Line Cutting Height."
2. See "Use Correct Diameter Trimmer Line."
3. See "Vary Throttle Setting For Conditions."
4. See "Use Correct Walking Speed."
5. See "Tips for Precision Cutting."
6. See "Changing Trimmer Lines" in Section 5.
7. Lighter line helps prevent damage to bark of trees and shrubs.

⚠ WARNING

Before inspecting, cleaning or servicing the machine, shut off engine, disconnect spark plug wire, and make sure that all moving parts have come to a complete stop. Remove ignition key on electric start models.

Failure to follow these instructions can result in personal injury or property damage.

NOTE: LEFT and RIGHT sides of unit are as viewed from operator's position behind the handlebars.

REQUIRED MAINTENANCE SCHEDULE

REQUIRED MAINTENANCE	BEFORE EACH USE	EVERY 5 HOURS	EVERY 25 HOURS	EVERY 100 HOURS	AS NOTED
Check engine oil level	•	•			
Check trimmer lines	•				1
Check trimmer head engagement	•				
Clean machine	•				3
Check nuts and bolts	•				
Change engine oil			•		2, 5
Service air filter system			•		5
Clean under mower deck			•		
General lubrication			•		
Inspect drive belt				•	
Clean engine	•				4
Check wear cup		•			6

Chart 5-1

NOTE 1 – New line replacement is suggested when old line is 50% or less of original length.

NOTE 2 – Change oil after first two hours of new operation; thereafter every 25 hours.

NOTE 3 – Clean daily if used in extremely dusty/dirty conditions (see engine manual).

NOTE 4 – Clean before using machine, and at each fuel refill.

NOTE 5 – Service more often if used in extremely dusty or dirty conditions (see engine manual).

NOTE 6 – Replace when severe gouges exist on bottom surface.

ADJUSTING TRIMMER HEAD ENGAGEMENT

The tension on the drive belt must be correct for proper operation of the trimmer head. If the tension is correct, the trimmer head will rotate when the Trimmer Head Control Bail is pulled back against the handlebar.

A loose or worn drive belt causes the trimmer head to move slowly, or not at all, when the control bail is engaged (belt squealing may also be noticeable).

If the belt tension is too tight, the trimmer head may rotate before the control bail is engaged, or when there is no free play in the control bail.

Belt Tension Adjustment

1. Stop the engine and wait for all parts to stop moving. Disconnect spark plug wire and move it away from spark plug. Remove ignition key on electric start models.

2. Adjust the positions of the two jam nuts on the control cable adjuster (see Figure 5-2) as described below:

- To tighten belt tension:
Move the upper nut (A, Figure 5-2) upward one or two full turns, then move the lower nut (B) upward. Tighten both nuts securely. Test unit and readjust jam nuts as needed.
- To loosen belt tension:
Move the lower nut (B, Figure 5-2) downward one or two full turns, then move the upper nut (A) down. Tighten both nuts securely. Test the unit and readjust jam nuts as needed.

⚠ WARNING Before inspecting, cleaning or servicing the machine, shut off engine, wait for all moving parts to come to a stop, disconnect spark plug wire and move wire away from spark plug. Remove ignition key on electric start models. Failure to follow these instructions can result in serious personal injury or property damage.

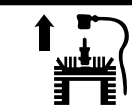
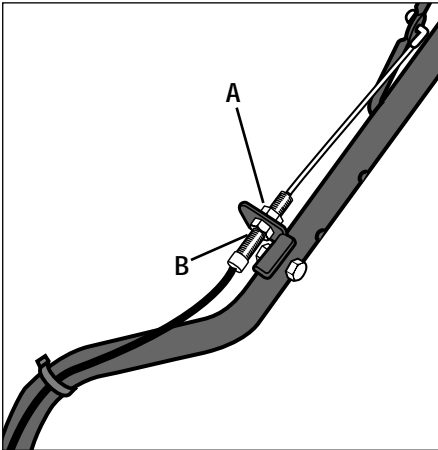



Figure 5-2: Belt tension adjustment.

REMOVING AND REPLACING TRIMMER HEAD

1. Stop the engine and wait for all moving parts to stop. Disconnect spark plug wire and move it away from the spark plug. Remove the ignition key on electric start models.
2. Two bolts (A, Figure 5-3) secure the trimmer head (B) to the spindle head (C). Loosen both bolts (not the nuts) just enough to open up the trimmer head and allow it to slide down the spindle head and past the two stops. Do not attempt to remove the bolts completely – they are permanently attached.

NOTE: It may be necessary to first remove the wear cup (D, Figure 5-3) when removing the trimmer head. See Step 4 for the procedure.

3. Install the new trimmer head on the spindle head. Tighten the hardware securely (to 75 in/lbs.) and evenly.
4. If the wear cup (D, Figure 5-3) is also worn, replace it. Use a 1/2" socket wrench to remove the screw (E, Figure 5-3) and washer (F). Install the new wear cup and reinstall the washer and screw. Tighten the screw securely.

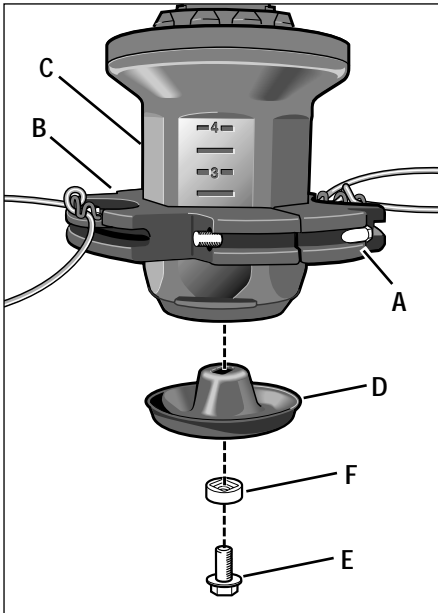


Figure 5-3

INSPECTING/REPLACING DRIVE BELT

The drive belt should not require inspection for many hours of operation. If replacement becomes necessary, follow the instructions given here.

Belt Inspection

1. Stop the engine and let all moving parts stop. Disconnect spark plug wire and move it away from spark plug. Allow engine to cool. Remove the key on electric start models.
2. For convenience, we recommend that you place the unit on a raised platform to make access to the underside of the deck as easy as possible.
3. Examine the belt. Feed it around the rear (engine) pulley so the entire belt can be examined. If cracks or other damage are noted, a new belt is needed.

Belt Removal

1. Stop the engine and wait for engine to cool. Disconnect the spark plug wire and move it away from the spark plug. Remove the ignition key on electric start models.
2. Remove gasoline from fuel tank.

⚠ DANGER

GASOLINE IS HIGHLY FLAMMABLE AND ITS VAPORS ARE EXPLOSIVE.

- Drain fuel into approved container outdoors, away from open flame.
- Be sure engine and muffler are cool before draining gasoline.
- Do not smoke.

Failure to comply can result in serious personal injury and property damage.

3. Carefully tip unit on its left side and secure it in place.
4. Remove the plastic plug (A, Figure 5-4) from the top of the mower deck.
5. Using a 3/4" socket wrench, remove nut (B, Figure 5-4), belleville washer (C) and flat washer (D) from spindle shaft (E).

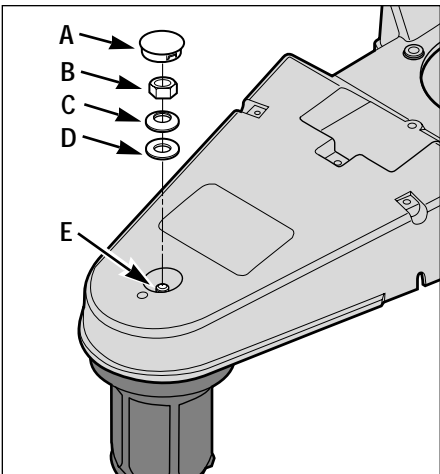
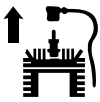


Figure 5-4

WARNING

Before inspecting, cleaning or servicing the machine, shut off engine, wait for all moving parts to come to a stop, disconnect spark plug wire and move wire away from spark plug. Remove ignition key on electric start models.

Failure to follow these instructions can result in serious personal injury or property damage.

6. Thread nut (B, Figure 5-4) a few turns back onto spindle shaft (E) to protect the threads on the spindle shaft during the next step.
7. Loosen the spindle shaft by placing a wood block against the top of the nut (B, Figure 5-4) and firmly striking the wood block with a hammer.
8. Remove the nut from the spindle shaft and then remove the spindle shaft (E, Figure 5-5) and entire spindle head assembly (F) from the bottom of the deck. Slip the belt off the spindle head pulley (P).
9. Disconnect the idler arm spring (R, Figure 5-6) from the hole in the idler arm (T).
10. Using a 1/2" wrench, loosen the idler arm mounting screw (S, Figure 5-6) two full turns.
11. Using a 9/16" wrench and a 7/32" hex (Allen) wrench, loosen the mounting nut (G, Figure 5-6) and screw on the idler pulley (I) a few turns, or until belt is free to slip out between pulley and belt guide (J). Remove belt.
12. Loosen rear belt guide screw (K, Figure 5-6) enough to allow belt to be removed from engine pulley (L). Remove belt from unit.

Belt Replacement

1. Install belt on engine pulley (L, Figure 5-6) and retighten rear belt guide screw (K) securely.
2. Route belt between idler pulley (I, Figure 5-6) and belt guide (J), to inside of brake arm (M), and next to die-cast belt guides (N).
3. Securely tighten the mounting nut (G, Figure 5-6) and screw in the idler pulley (I).
4. Securely tighten the idler arm mounting screw (S, Figure 5-6). After tightening, check that idler arm is free to rotate. If not, remove idler arm and check for debris that may be interfering with freedom of movement.
5. Look at the spindle head mounting hole (O, Figure 5-6) and note the grooves that are cut into the inner sides of the hole. These grooves were formed by the splines on the spindle shaft (E, Figure 5-5).
6. Install the belt on the spindle head pulley (P, Figure 5-5) and insert the spindle shaft (E) (with attached spindle head assembly) into the spindle head mounting hole (O, Figure 5-6). Rotate the spindle head assembly to align the splines on the spindle shaft with the grooves in the mounting hole. Check that the belt is still in the pulley groove and is to the inside of the die-cast belt guides (N, Figure 5-6).
7. Using a firm push on the spindle head assembly (Figure 5-6A), seat the spindle head assembly into the hole. Check that the threaded end of the spindle shaft is protruding through the bottom of the hole.
8. Reinstall the flat washer (D, Figure 5-4), belleville washer (C) and nut (B) on the spindle shaft. Note that the dished-in side of the belleville washer must face the flat washer. Tighten the nut securely (torque to 50 ft./lbs.), while checking frequently to ensure that the spindle head rotates freely. If the spindle head binds, it could be due to the belt being pinched between the spindle head and the belt guides. If so, remove the spindle head assembly and repeat steps 5-7.
9. Replace plastic plug (A, Figure 5-4).

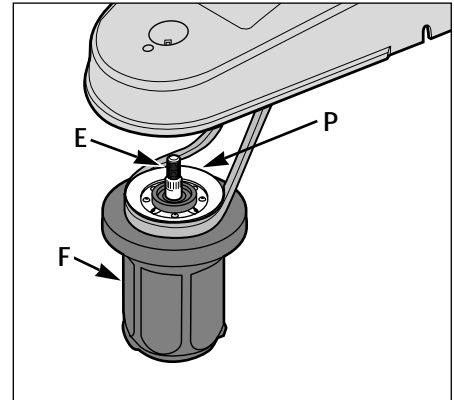


Figure 5-5

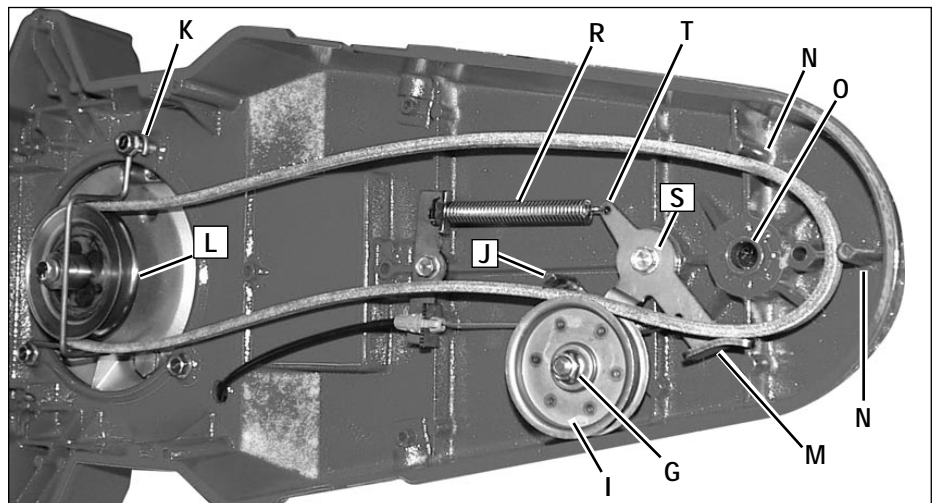


Figure 5-6

⚠ WARNING Before inspecting, cleaning or servicing the machine, shut off engine, wait for all moving parts to come to a stop, disconnect spark plug wire and move wire away from spark plug. Remove ignition key on electric start models. Failure to follow these instructions can result in serious personal injury or property damage.

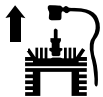
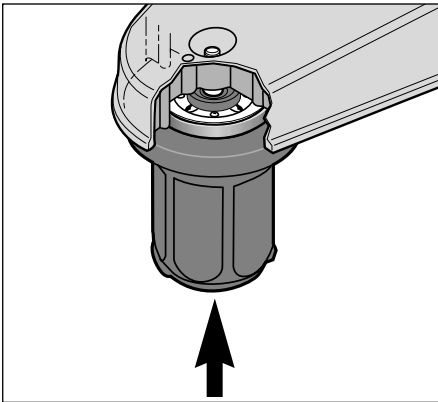



Figure 5-6A

- 10. Reattach the idler arm spring (R, Figure 5-6) in the hole in the idler arm (T).
- 11. A new belt may need to be adjusted by following the "Adjusting Trimmer Head Engagement" instructions in this Section.

TRIMMER/MOWER CLEANING AND DEBRIS REMOVAL

Thorough and regular cleaning of debris from the engine and the machine is required for maximum efficiency and good overall performance. Inspect and clean the following areas regularly, making sure the engine is stopped, and cool, before proceeding:

- Brush and wipe off all engine surfaces, especially before checking oil or adding fuel. Do not let debris, oil or grease accumulate. To access the front of the engine, lift the debris shield up and tilt it forward.
- Wipe the deck clean, particularly near the engine muffler.
- Clean the underside of the deck.
- Keep safety and operating decals clean and legible.
- Keep all operating control levers debris-free so they work properly.

CLEANING THE ENGINE

Before each use of the machine and at each refueling, clean grass, chaff or accumulated debris from the finger guard area on top of the engine (see Figure 5-7), and from the linkage, springs and controls on the engine. Keep the area around and behind the muffler free of any combustible debris. See "Cleaning Debris" in the engine manual for complete cleaning instructions. Do not use water to clean engine parts as water could contaminate the fuel system. Use a brush or dry cloth. Be sure engine is cool before cleaning around muffler area.

NOTE: The separate engine air cleaner must also be serviced according to the instructions in the engine manual.

⚠ WARNING Engine parts must be kept clean to reduce the risk of overheating and ignition of accumulated debris. This is especially important if cutting tall grass. Clean accumulated debris at each refueling and before each use of machine. Failure to comply can cause injury or property damage.

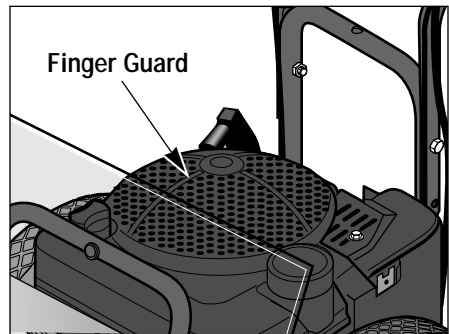


Figure 5-7

LUBRICATION

Applying light oil or a silicone-based lubricant to your machine allows parts to work more smoothly and protects them from the elements. Use Silicone-base Spray Lubricant (or light oil) to lubricate the following parts:

- Throttle control cable
- Control bail cable
- Nuts, bolts and other hardware

NOTE: The spindle head is permanently lubricated at the factory. There is no need for additional lubrication.

COMPACT STORAGE

For compact storage of the unit, remove the two screws and locknuts securing the handlebar and carefully (to avoid kinking the cables) rotate the handlebar so that the upper portion rests on the engine and the handlebar legs face to the rear of the unit.

GENERAL ENGINE MAINTENANCE

Perform the following engine maintenance for your engine according to the engine maintenance schedule and instructions in the separate engine manual:

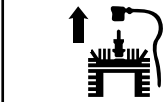
Engine Oil Service

Check the engine oil level before starting the engine each day and check it after each 5 hours of continuous operation. Running the engine when it is low on oil will quickly ruin the engine.

Change the oil after every 25 hours of operation and even sooner when operating in extremely dirty or dusty conditions.

Air Cleaner Service

Operating the engine with a dirty, clogged air filter can cause poor performance and damage to the engine. Inspect and service the air cleaner after every 25 operating hours, more often if operating in very dusty or dirty conditions. Never operate the engine without the air cleaner installed.

⚠ WARNING

Before inspecting, cleaning or servicing the machine, shut off engine, wait for all moving parts to come to a stop, disconnect spark plug wire and move wire away from spark plug. Remove ignition key on electric start models.

Failure to follow these instructions can result in serious personal injury or property damage.

Spark Plug Service

Inspect and clean or replace the spark plug after every 100 operating hours or annually.

Spark Arrester Screen Service

If the engine is equipped with a spark arrester screen, remove and clean it according to the time intervals and instructions in the engine manual.

Engine Cleaning

The engine must be kept clean to assure smooth operation and to reduce the risk of overheating and ignition of accumulated debris.

Carburetor/Governor Control Adjustments

The carburetor was adjusted at the factory for best operating speed. Refer to the engine manual for any adjustment information.

The governor controls the maximum safe operating speed and protects the engine and other moving parts from damage caused by overspeeding. Do not tamper with the governor settings. Seek authorized service if you think an adjustment is required.

Throttle Control Adjustment

If the engine does not shut off when the throttle lever is moved to the stop position, or if the engine does not respond to various throttle settings, refer to the engine manual for service information.

OFF-SEASON STORAGE

When storing the unit for extended periods, follow these procedures to ensure that the unit will be in good condition for future use.

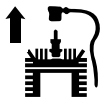
⚠ WARNING

- Never perform maintenance when engine is running or spark plug wire is connected, except when instructed to do so.
- Never store mower with fuel in fuel tank inside a building where fumes can reach an open flame or spark, or where ignition sources are present such as hot water and space heaters, furnaces, clothes dryers, stoves, electric motors, etc. Make sure engine is cool before storing.
- Drain gasoline outdoors into an approved container. Do not smoke and keep fuel away from open flame.

Failure to follow these instructions will result in serious personal injury or property damage.

- Perform recommended engine maintenance by following the engine storage instructions found in the engine manual. Be sure to protect the fuel lines, carburetor and fuel tank from gum deposits by removing fuel or by treating fuel with a fuel stabilizer (follow the engine manufacturer's recommendations).
- Clean any dirt, grass or chaff from the air cooling system intake area and other parts of the engine.
- Disconnect spark plug wire and move away from spark plug.

- Store machine on a level surface.
- Inspect for any loose, broken or missing parts. Repair or replace parts as necessary.

WARNING

Before inspecting, cleaning or servicing the machine, shut off engine, wait for all moving parts to come to a stop, disconnect spark plug wire and move wire away from spark plug. Remove ignition key on electric start models.

Failure to follow these instructions can result in serious personal injury or property damage.

CHANGING TRIMMER LINES

When trimmer lines wear, it takes longer to complete mowing and trimming projects. A good rule of thumb is to change the lines when they reach half their original length.

Use the extra-heavy duty (.155" diameter) line when cutting thick, tough growth. Use the thinner (.130" diameter) line for less demanding conditions and for use near trees or shrubs to help prevent girdling (cutting of bark).

To Change Trimmer Lines:

1. Stop engine, allow all parts to stop moving and then disconnect the spark plug wire. Remove the ignition key on electric start models. DO NOT touch the metal wear cup on the bottom of the spindle head—it may be hot.

NOTE: The two line holders on the trimmer head are permanently secured. Do not attempt to remove the line holders.

2. If necessary, you may tip the unit back slightly when changing lines. However, do not tip the unit all the way back as motor oil may flow to the exhaust area and the engine may smoke for several seconds when started.

3. Three different line installation patterns are available, as shown in Figures 5-8, 5-9 and 5-10.

4. Feed the line through the loops of the line holder as shown.

- An equal amount of line should project out from each side of the line holder, creating an overall 22" wide cutting swath.
- You may offset both trimmer lines somewhat to increase the cutting swath up to 25" wide. However, DO NOT offset the line so that the overall cutting swath is greater than 25". See Warning statement at right.
- Whether replacing one or both lines, they must both be .130" or .155" in diameter.

WARNING

Offsetting the trimmer lines causes the lines to rotate faster than when they project an equal length on each side. This increases the chance of loose materials being dislodged and propelled at high speeds.

Failure of the operator to wear safety goggles and appropriate clothing and to keep bystanders away can result in severe personal injury or property damage.

Figure 5-8: Use this single line, easy-loop pattern for all but the more difficult cutting conditions.

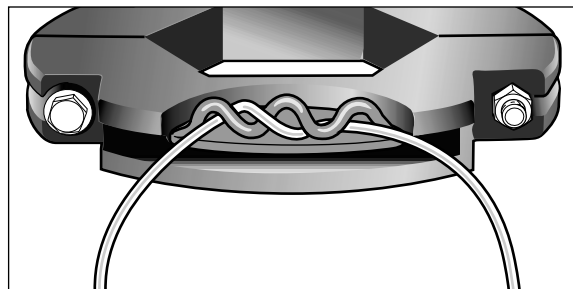


Figure 5-9: If lines tend to loosen (especially in more difficult cutting conditions), add a single reverse loop and then readjust line so that ends are even. This pattern results in a slightly narrower cutting swath.

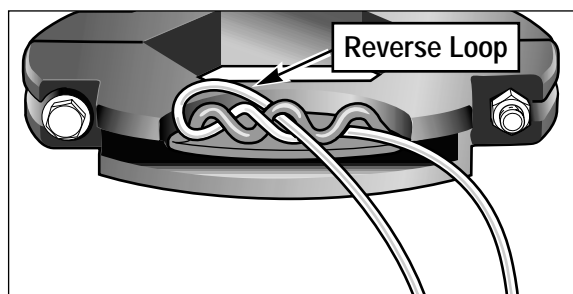
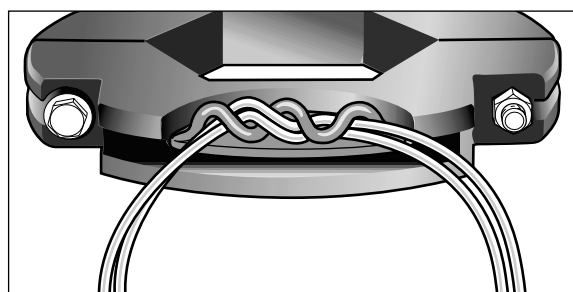
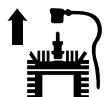


Figure 5-10: For more difficult cutting conditions, use two of the thicker (.155" diameter) lines in each line holder. Follow the pattern shown in Figure 5-8.



WARNING

Before inspecting, cleaning or servicing the machine, shut off engine, wait for all moving parts to come to a stop, disconnect spark plug wire and move wire away from spark plug. Remove ignition key on electric start models.

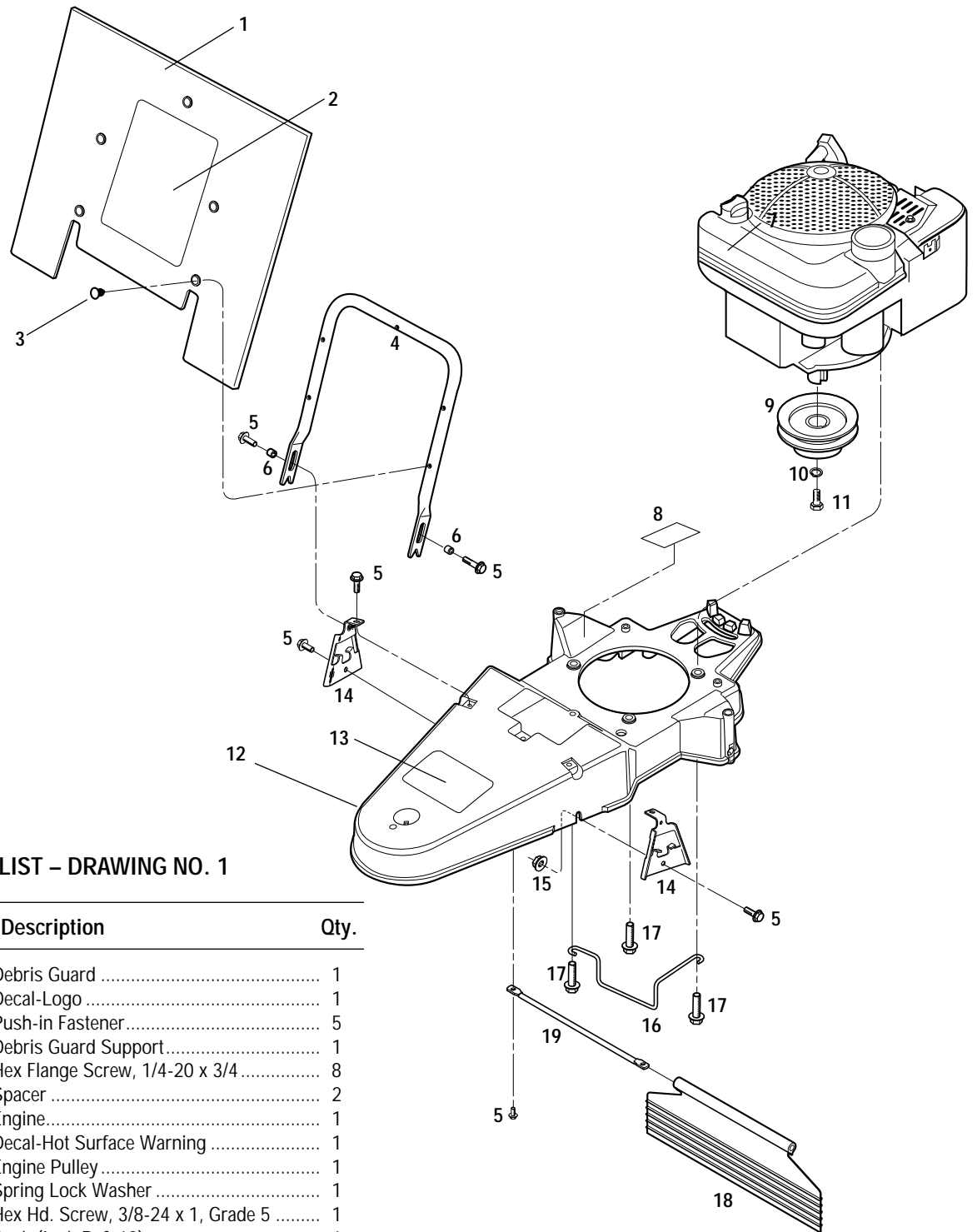
Failure to follow these instructions can result in serious personal injury or property damage.

TROUBLESHOOTING

Before performing any of the corrections in this Troubleshooting Chart, refer to the appropriate information contained in this Manual or the Engine Owner's Manual for the correct safety precautions and servicing procedures. Contact your local authorized Engine Service Dealer for engine service. Contact your local authorized dealer for service problems with the machine.

PROBLEM	POSSIBLE CAUSE	CORRECTION
Engine does not start.	<ol style="list-style-type: none"> 1. Spark plug wire disconnected. 2. Defective or incorrectly gapped spark plug. 3. Fuel tank empty. 4. Dirty carburetor or fuel line. 5. Dirty air cleaner. 6. Carburetor out of adjustment. 7. Engine flooded. 8. Engine Throttle Lever in incorrect position. 9. Stale gasoline. 10. Defective Engine Throttle Lever. 11. Dirt or water in fuel tank. 	<ol style="list-style-type: none"> 1. Reconnect wire. 2. Inspect/replace spark plug. 3. Add fuel. 4. Clean carburetor or fuel line. 5. Clean or replace. 6. Adjust carburetor. See Engine Service Dealer. 7. Wait several minutes before starting. 8. Move Throttle Lever to FAST position. 9. Drain old fuel and add fresh fuel. 10. See Engine Service Dealer. 11. See Engine Service Dealer.
Engine runs poorly.	<ol style="list-style-type: none"> 1. Bad spark plug. 2. Dirty air filter. 3. Carburetor out of adjustment. 4. Stale fuel. 5. Dirt or water in fuel tank. 6. Engine cooling system clogged. 	<ol style="list-style-type: none"> 1. Inspect/replace spark plug. 2. Clean or replace. 3. Adjust carburetor. See Engine Service Dealer. 4. Drain and replace fuel. 5. See Engine Service Dealer. 6. Clean fins.
Engine overheats.	<ol style="list-style-type: none"> 1. Engine cooling system clogged. 2. Carburetor out of adjustment. 	<ol style="list-style-type: none"> 1. Clean air cooling areas and behind debris shield. 2. Adjust Carburetor. See Engine Service Dealer.
Engine does not shut off.	Throttle control misadjusted.	See Engine Service Dealer.
Poor mowing performance.	<ol style="list-style-type: none"> 1. Line length is too short or too long. 2. Cutting height is too high or low for height of grass being cut. 3. Engine not set at FAST speed. 	<ol style="list-style-type: none"> 1. Adjust line length to 18" long. When less than 1/2 this length, replace the line. 2. Adjust cutting height to approximately 1/3 of the length of the grass. 3. Move Engine Throttle Lever to FAST (Rabbit).
Machine vibrates.	<ol style="list-style-type: none"> 1. Trimming head mounting bolt loose. 2. Line lengths are substantially different. 3. Loose nuts or bolts. 4. Broken spindle head or trimmer head. 	<ol style="list-style-type: none"> 1. Tighten bolt. 2. Adjust lines to approximately equal lengths. 3. Check all bolts and nuts, including engine bolts. 4. Replace broken part.
Trimmer head does not retain line.	Incorrect line installation.	See "Changing Trimmer Lines" in Section 5.
Trimmer Head does not retain height setting.	<ol style="list-style-type: none"> 1. Head bolts may be loose. 2. Head is worn. 	<ol style="list-style-type: none"> 1. Tighten head bolts to 75 in/lbs. 2. Replace head assembly.

DRAWING NO. 1

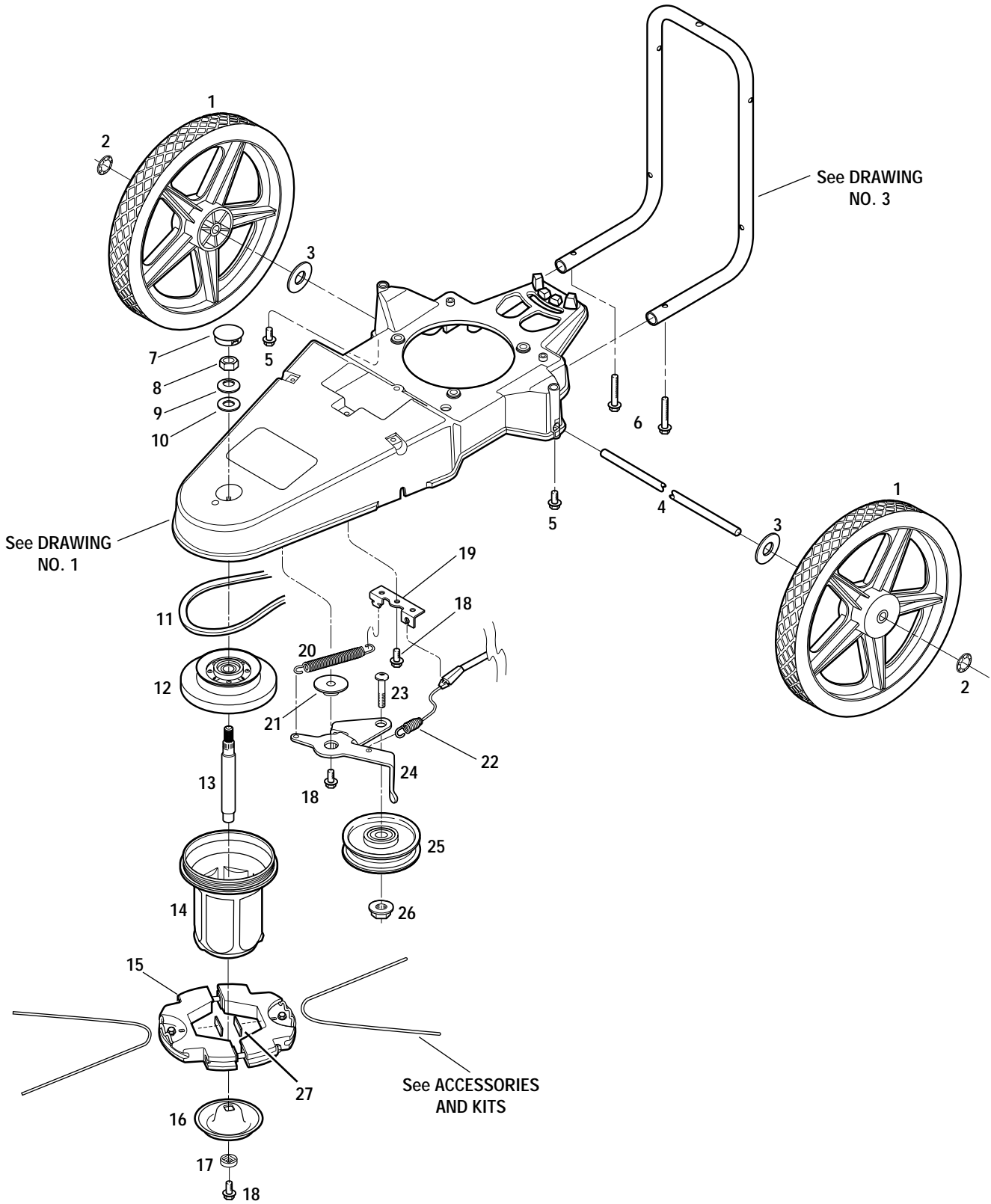


PARTS LIST – DRAWING NO. 1

Ref. #	Part #	Description	Qty.
1	1917765	Debris Guard	1
2	1918116	Decal-Logo	1
3	1915290	Push-in Fastener.....	5
4	1917407001	Debris Guard Support.....	1
5	1754128	Hex Flange Screw, 1/4-20 x 3/4	8
6	1915320	Spacer	2
7	*	Engine.....	1
8	1904511	Decal-Hot Surface Warning	1
9	1917727	Engine Pulley	1
10	1100243	Spring Lock Washer	1
11	1100009	Hex Hd. Screw, 3/8-24 x 1, Grade 5	1
12	1918227	Deck (Incl. Ref. 13).....	1
13	1918115	Decal-Warning.....	1
14	1917144001	Hood Bracket.....	2
15	1186389	Flange Lock Nut, 1/4-20	2
16	1917574	Belt Guide.....	1
17	1768194	Hex Hd. Screw, 3/8-16 x 1-1/2	3
18	1917154	Deflector Flap.....	1
19	1917155	Rod.....	1

* Order parts from your local authorized engine dealer. Refer to engine for model/type/code number.

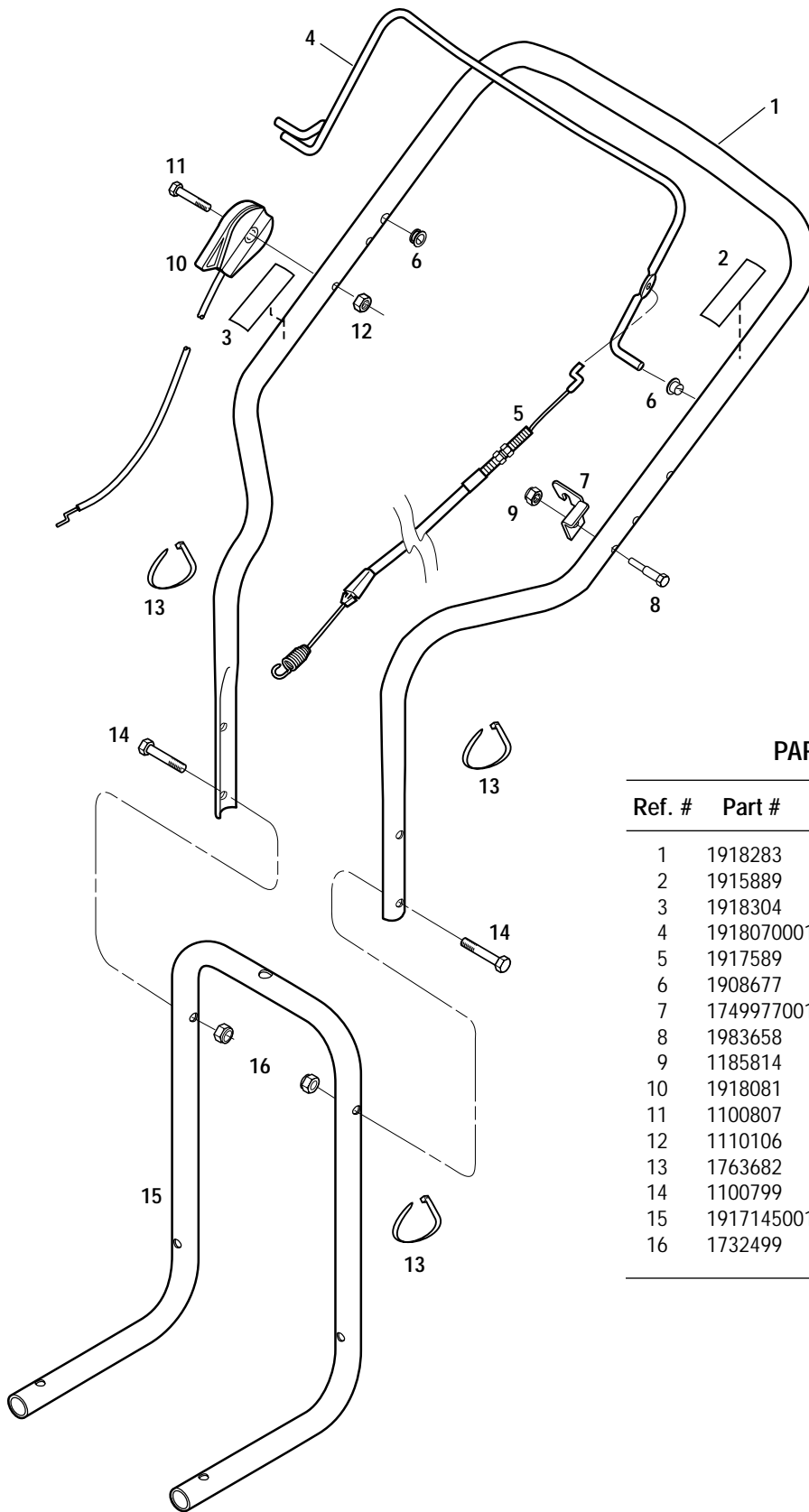
DRAWING NO. 2



PARTS LIST – DRAWING NO. 2

Ref. #	Part #	Description	Qty.	Ref. #	Part #	Description	Qty.
1	1917592	Wheel/Tire Assembly.....	2	15	1918393	Trimmer Head Assembly (Incl. Ref. 27) .	1
2	1917593	Locking Retaining Ring	2	16	1915220001	Wear Cup	1
3	1917775	Flat Washer	2	17	1917599	Square Washer	1
4	1917258	Axle	1	18	1724491	Self-Tap Screw, 5/16-18 x 3/4.....	3
5	1724491	Self-Tap Screw, 5/16-18 x 3/4	2	19	1917573	Cable Bracket	1
6	1918069	Self-Tap Screw, 5/16-18 x 2.....	2	20	1910849	Idler Spring	1
7	1917588	Cap Plug.....	2	21	1917746	Flat Washer	1
8	1734514	Hex Lock Nut, 1/2-13	1	22	1917589	Control Cable - Trimmer Head	1
9	9928	Belleville Washer	1	23	1910857	Button Hd. Screw, 3/8-16 x 1-1/2.....	1
10	1917745	Hardened Washer	1	24	1917572	Idler Arm	1
11	1917579	V-Belt	1	25	1910855	Idler Pulley	1
12	1918246	Spindle Head Adapter (Incl. Bearing)	1	26	1186393	Flange Lock Nut, 3/8-16	1
13	1917581	Spindle Shaft.....	1	27	1918332	Rubber Shim Kit (2 shims per kit).....	1
14	1918329	Spindle Head Assembly (Incl. Bearing, Insert, and Refs. 16, 17, 18).....	1				

DRAWING NO. 3



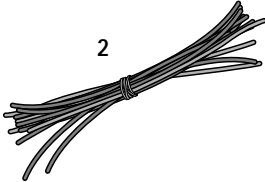
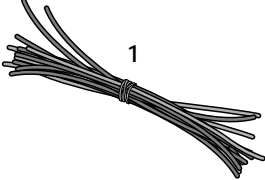
PARTS LIST – DRAWING NO. 3

Ref. #	Part #	Description	Qty.
1	1918283	Upper Handlebar (Incl. Refs. 2 & 3)	1
2	1915889	Decal–Bail Engage/Disengage	1
3	1918304	Decal–Throttle	1
4	1918070001	Control Bail–Trimmer Head	1
5	1917589	Cable Assembly–Trimmer Head	1
6	1908677	Bushing.....	2
7	1749977001	Cable Bracket	1
8	1983658	Hex Hd. Screw, 1/4-20 x 1-1/8	1
9	1185814	Hex Flange Lock Nut, 1/4-20	1
10	1918081	Throttle Lever & Cable Assembly	1
11	1100807	Hex Hd. Screw, 1/4-20 x 2	1
12	1110106	Hex Lock Nut, 1/4-20	1
13	1763682	Cable Tie.....	3
14	1100799	Hex Hd. Screw, 5/16-18 x 1-1/2	2
15	1917145001	Lower Handlebar	1
16	1732499	Hex Lock Nut, 5/16-18	2

ACCESSORIES AND KITS

Ref. #	Part #	Description	Qty.
1	1904476	Trimmer String Kit, .155" dia. line (includes 24 pieces).....	N/I
2	1904477	Trimmer String Kit, .130" dia. line (includes 24 pieces).....	N/I

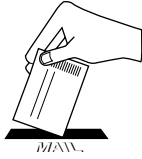
N/I Not included with unit, order separately



CUSTOMER SERVICE INFORMATION

Owner Registration Card

Please fill out and mail the enclosed owner registration card. The purpose of this card is to register each unit at the factory so that we can provide you with warranty benefits and informational bulletins.



Warranty Service

The warranty statement is included in the unit's literature package.

Model/Serial Numbers

A Model/Serial Numbers decal is located on the left side of the unit. For ready reference, record these numbers in the spaces below.

Date of Purchase: _____

Model Number: _____

Serial Number: _____

Authorized Dealer Information

If you purchased your unit from an authorized dealer, record the dealer's address and phone number below for ready reference:

Dealer Name: _____

Address: _____

Phone: _____

IMPORTANT:

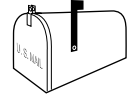
Left and right sides of the unit are determined by standing behind the unit, in the operator's position, and facing in the direction of forward travel.

NOTICE:

We reserve the right to change specifications, add improvements or discontinue the manufacture of any of our equipment without notice or obligation to purchasers of our equipment.

Customer Service and Technical Service

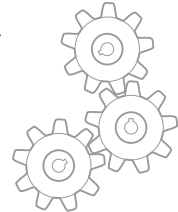
If you have questions or problems with the unit, contact your local dealer or the factory. (When calling or writing, provide the Model/Serial Numbers of the unit.)



Replacement Parts

Factory specified replacement parts are available from your authorized dealer or directly from the factory. When ordering parts, be sure to provide the following:

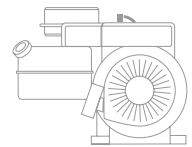
- Model/Serial Numbers of the unit.
- Part number of the part needed.
- Part Description.
- Quantity needed.



NOTE: All replacement parts must conform to our rigid quality specifications. Although some replacement parts we provide may vary slightly in shape, color or texture from the original parts, any variations will not affect the fit or performance of these parts on your unit.

Engine Service and Repair

For engine service or repair, contact your nearest authorized engine dealer (look in the Yellow Pages under "Engines-Gasoline"). The engine is warranted by the engine manufacturer. Any unauthorized work performed on the engine during the warranty period may void this warranty. For complete details on the engine warranty, refer to the engine owner manual.



WARNING

We urge using only genuine replacement parts, which meet all the latest requirements. Replacement parts manufactured by others could present safety hazards, even though they may fit on the unit.

For customer assistance, contact your nearest authorized dealer or:

GARDEN WAY INCORPORATED • 1 Garden Way • Troy, New York 12180
Customer Service: 1-800-437-8686 • Technical Service: 1-800-520-5520 • Parts Service: 1-800-648-6776
• FAX: (518) 233-4622 • WEBSITE: www.troybilt.com

Outside the United States and Canada:

Customer Service: (518) 233-4807 • Technical Service: (518) 233-4808 • Parts Service: (518) 233-4806 • FAX (518) 233-4622

Free Manuals Download Website

<http://myh66.com>

<http://usermanuals.us>

<http://www.somanuals.com>

<http://www.4manuals.cc>

<http://www.manual-lib.com>

<http://www.404manual.com>

<http://www.luxmanual.com>

<http://aubethermostatmanual.com>

Golf course search by state

<http://golfingnear.com>

Email search by domain

<http://emailbydomain.com>

Auto manuals search

<http://auto.somanuals.com>

TV manuals search

<http://tv.somanuals.com>