



Operator's Manual



Straight Shaft Trimmer TBSS



IMPORTANT: READ SAFETY RULES AND INSTRUCTIONS CAREFULLY

P/N 769-02489

(7/06)

INTRODUCTION

THANK YOU

Thank you for buying this quality product. This modern outdoor power tool will provide many hours of useful service. You will find it to be a great labor-saving device. This operator's manual provides you with easy-to-understand operating instructions. Read the whole manual and follow all the instructions to keep your new outdoor power tool in top operating condition.

PRODUCT REFERENCES, ILLUSTRATIONS AND SPECIFICATIONS

All information, illustrations and specifications in this manual are based on the latest product information available at the time of printing. We reserve the right to make changes at any time without notice.

Copyright© 2002 MTD SOUTHWEST INC
All Rights Reserved.

Troy-Bilt® is a registered trademark of MTD PRODUCTS INC
SpeedSpool® is a registered trademark of MTD SOUTHWEST INC

SERVICE INFORMATION

For service call **1-800-520-5520** in the United States, or **1-800-668-1238** in Canada to obtain a list of authorized service dealers near you. For more details about your unit, visit our website at www.troybilt.com.

DO NOT RETURN THE UNIT TO THE RETAILER. PROOF OF PURCHASE WILL BE REQUIRED FOR WARRANTY SERVICE.

THIS PRODUCT IS COVERED BY ONE OR MORE U.S. PATENTS. OTHER PATENTS PENDING.

Service on this unit both within and after the warranty period should be performed only by an authorized and approved service dealer.

WARNING!

Read the Operator's Manual(s) and follow all warnings and safety instructions. Failure to do so can result in serious injury to the operator and/or bystanders.

TABLE OF CONTENTS

I. Rules for Safe Operation	3-6
A. Important Safety Information	3-4
B. Safety and International Symbols	5
C. Know Your Unit	6
II. Operating Instructions	7-8
A. Assembling the coupler	7
B. Holding the Trimmer	8
C. Adjusting Trimming Line Length	8
D. Tips for Best Trimming Results	8
E. Decorative Trimming	8
III. Maintenance and Repair Instructions	9-11
A. Line Installation for the SpeedSpool®	9
B. Installing a Prewound Reel	10
C. Cleaning the SpeedSpool®	10
D. SpeedSpool® Replacement Parts	11
E. Cleaning	11
F. Storage	11
G. Transporting	11
IV. Troubleshooting Chart	12
V. Specifications	13
VI. Warranty	16

CONTENTS OF CARTON

This unit should consist of the following:

- TBSS Straight Shaft Trimmer
- Hanger
- Operator's Manual
- Product Registration Card

NOTE: This product has been rated for use on both gas and electric powerheads.

RULES FOR SAFE OPERATION

The purpose of safety symbols is to attract your attention to possible dangers. The safety symbols, and their explanations, deserve your careful attention and understanding. The safety warnings do not, by themselves, eliminate any danger. The instructions or warnings they give are not substitutes for proper accident prevention measures.

SYMBOL	MEANING
--------	---------



SAFETY ALERT SYMBOL: Indicates danger, warning, or caution. Attention is required in order to avoid serious personal injury. May be used in conjunction with other symbols or pictographs.

NOTE: Advises you of information or instructions vital to the operation or maintenance of the equipment.



DANGER: Failure to obey a safety warning will result in serious injury to yourself or to others. Always follow the safety precautions to reduce the risk of fire, electric shock, and personal injury.



WARNING: Failure to obey a safety warning can result in injury to yourself and others. Always follow the safety precautions to reduce the risk of fire, electric shock, and personal injury.



CAUTION: Failure to obey a safety warning may result in property damage or personal injury to yourself or to others. Always follow the safety precautions to reduce the risk of fire, electric shock, and personal injury.

• IMPORTANT SAFETY INFORMATION •

READ ALL INSTRUCTIONS



WARNING: When using the unit, the safety rules must be followed. For your own safety and that of bystanders, please read these instructions before operating the unit. Please keep the instructions safe for later use.

BEFORE OPERATING

- Carefully read and understand the operator's manual of the unit that powers this Add-On.
- Read this operating instruction manual carefully. Be thoroughly familiar with the controls and the proper use of the equipment. Know how to stop the unit and disengage the controls quickly.
- Do not operate this unit when tired, ill, or under the influence of alcohol, drugs, or medication.
- Never allow children to operate the equipment. Never allow adults unfamiliar with the instructions to use the unit. Never allow adults to operate the equipment without proper instruction.
- All guards and safety attachments must be installed properly before operating the unit.
- Inspect the unit before use.
- Clear the area before each use. Remove all objects such as rocks, broken glass, nails, wire, or string which can be thrown or become entangled in the attachment.
- Use only 0.080 inch (2.03 mm) diameter Genuine Factory Parts™ replacement line. Never use metal-reinforced line, wire, or rope, etc. These can break off and become a dangerous projectile.
- This unit was not designed to be used as a brushcutter. Do not attach or operate this unit with any type of brushcutting blade or brushcutting attachment.

SAFETY WARNINGS FOR GAS POWERHEADS AND STRAIGHT SHAFT TRIMMER



WARNING: Gasoline is highly flammable, and its vapors can explode if ignited. Take the following precautions:

- Store fuel only in containers specifically designed and approved for the storage of such materials.
- Always stop the engine and allow it to cool before filling the fuel tank. Never remove the cap of the fuel tank, or add fuel, when the engine is hot. Never operate the unit without the fuel cap securely in place. Loosen the fuel tank cap slowly to relieve any pressure in the tank.
- Mix and add fuel in a clean, well-ventilated area outdoors where there are no sparks or flames. Slowly remove the fuel cap only after stopping engine. Do not smoke while fueling or mixing fuel. Wipe up any spilled fuel from the unit immediately.
- Avoid creating a source of ignition for spilled fuel. Do not start the engine until fuel vapors dissipate.
- Move the unit at least 30 feet (9.1 m) from the fueling source and site before starting the engine. Do not smoke. Keep sparks and open flames away from the area while adding fuel or operating the unit.
- Never start or run the unit inside a closed room or building. Breathing exhaust fumes can kill. Operate this unit only in a well ventilated area outdoors.

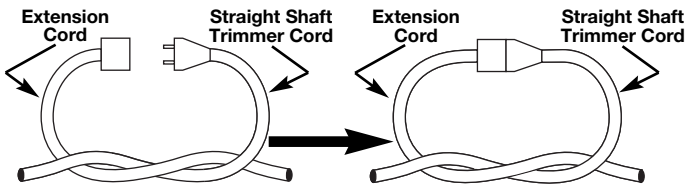
SAFETY WARNINGS FOR ELECTRIC POWER HEADS AND STRAIGHT SHAFT TRIMMER



WARNING: To reduce the risk of electrical shock, use only extension cords approved for outdoor use, such as an extension cord of cord type SW-A, SOW-A, STW-A, STOW-A, SJW-A, SJOW-A, SJTW-W or SJTOW-A. Extension cords are available from your local retailer. Use only round-jacketed extension cords approved for outdoor use.

RULES FOR SAFE OPERATION

- **CORD SETS:** Make sure your cord set is in good condition. When using a cord set, be sure to use a cord that is heavy enough to carry the current that your unit will draw. An undersized cord set will cause a drop in line voltage resulting in loss of power and overheating. See the operator's manual for the unit that will power this add-on for the recommended cord size.
- Inspect all extension cords and the unit power connection periodically. Look closely for deterioration, cuts or cracks in the insulation. Also inspect the connections for damage. Replace the cords if any defects or damage appear.
- Prevent disconnection of the straight shaft trimmer powerhead from extension cord during operation by using a plug-receptacle retaining strap, connector, or by making a knot as shown below:



- Avoid dangerous environments. Never operate your unit in damp or wet conditions. Moisture is a shock hazard.
- Do not use the unit in the rain. Do not use in or around water.
- Do not handle the plug or unit with wet hands or standing on any wet surfaces.
- Do not leave the unit plugged in when not in use, changing attachments or add-ons, or while being serviced.

WHILE OPERATING

- Keep bystanders, especially children and pets, at least 50 ft (15 m) away.
- Wear safety glasses or goggles that are marked as meeting ANSI Z87.1 standards, and ear/hearing protection when operating this unit. Wear a face or dust mask if the operation is dusty.
- Wear heavy, long pants, boots, gloves and a long sleeve shirt. Do not wear loose clothing, jewelry, short pants, sandals or go barefoot. Secure hair above shoulder level.
- Use the unit only in daylight or good artificial light.
- Use the right tool. Only use this tool for the purpose intended.
- Do not force unit. It will do the job better and with less likelihood of injury at a rate for which it was designed.
- Do not overreach, take extra care when working on steep slopes or inclines. Always keep proper footing and balance.
- Always hold the unit with both hands when operating. Keep a firm grip on both the front and rear handle or grips.
- Keep hands, face, and feet at a distance from all moving parts. Do not touch or try to stop the cutting attachment when it is rotating. Do not operate without guards in place.

- Do not operate the engine faster than the speed needed to do the job. Do not run the engine at high speed when not in use.
- Always stop the engine/motor when operation is delayed or when walking from one location to another.
- If you strike or become entangled with a foreign object, stop the engine/motor immediately and check for damage. Have any damage repaired before attempting further operations.
- Stop the unit IMMEDIATELY if you feel excessive vibration. Vibration is a sign of trouble. Inspect thoroughly for loose nuts, bolts or damage before continuing. Repair or replace affected parts as necessary.
- Stop and switch the unit to off for maintenance, repair, or for changing add-ons or other attachments. The unit must be stopped and the cutting head no longer turning to avoid injury.
- Use only Genuine Factory Parts™ and accessories for this unit. These are available from your authorized service dealer. Use of any unauthorized parts or accessories could lead to serious injury to the user or damage to the unit, and void your warranty.

MAINTENANCE AND STORAGE

- Allow the unit to cool before storing or transporting. Be sure to secure the unit while transporting.
- Store the unit in a locked up and dry or high and dry place to prevent unauthorized use or damage, out of the reach of children.
- Never douse or squirt the unit with water or any other liquid. Keep handles dry, clean and free from debris. Clean unit and labels with a damp sponge. Clean after each use.
- Keep these instructions. Refer to them often and use them to instruct other users. If you loan someone this unit, also loan them these instructions.
- Only qualified personnel should perform any repairs or maintenance procedures that are not described in this manual.
- Check shear bolts, engine mounting bolts and other bolts at frequent intervals for proper tightness to be sure the equipment is in safe working condition.
- Inside a building store the machine away from ignition sources. Allow the engine to cool before storing in any enclosure.
- Always refer to the Operator's Manual instructions for important details if the unit is to be stored for an extended period.
- Do not attempt to repair the machine unless you have the proper tools, and instructions for disassembly and repair of the machine.

SAVE THESE INSTRUCTIONS

RULES FOR SAFE OPERATION

SAFETY AND INTERNATIONAL SYMBOLS

This operator's manual describes safety and international symbols and pictographs that may appear on this product. Read the operator's manual for complete safety, assembly, operating and maintenance and repair information.

SYMBOL

MEANING



- **SAFETY ALERT SYMBOL**

Indicates danger, warning, or caution. May be used in conjunction with other symbols or pictographs.



- **WARNING - READ OPERATOR'S MANUAL**

Read the Operator's Manual(s) and follow all warnings and safety instructions. Failure to do so can result in serious injury to the operator and/or bystanders.



- **WEAR EYE AND HEARING PROTECTION**

WARNING: The operation of any power tool can be the source of thrown objects and loud noise which can cause severe eye injury and hearing loss. Always wear safety glasses or goggles eye protection meeting ANSI Z87.1 standards and ear protection when operating this unit. Use a full face shield when needed.



- **KEEP BYSTANDERS AWAY**

WARNING: Keep all bystanders, especially children and pets, at least 50 feet (15 m) from the operating area.



- **THROWN OBJECTS CAN CAUSE SEVERE INJURY**

WARNING: Do not operate unit without proper attachments and guards in place.



- **SHARP BLADE**

WARNING: Sharp blade on cutting attachment shield. To prevent serious injury, do not touch line cutting blade.

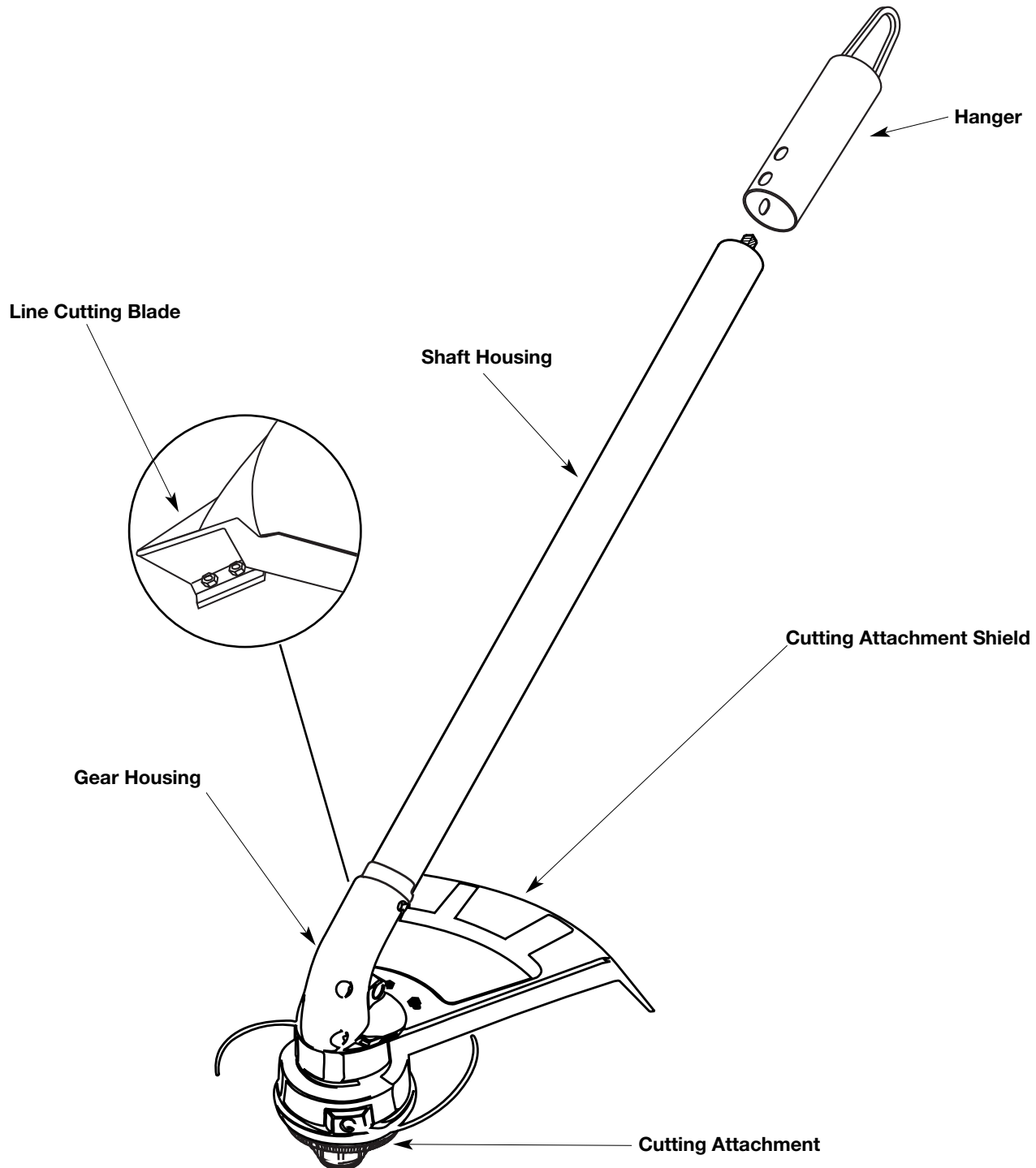
RULES FOR SAFE OPERATION

KNOW YOUR UNIT

APPLICATIONS

With Trimmer Add-On:

- Cutting grass and light weeds.
- Decorative trimming around trees, fences, etc.



OPERATING INSTRUCTIONS

ASSEMBLING THE COUPLER

The following Troy-Bilt Add-Ons are also available for your unit:

Blower/Vacuum	TBBV
Cultivator	TBGC
Hedge Trimmer	TBHS
Edger	TBLE
Snow Thrower	TBST
Turbo Blower	TBTB
Tree Pruner	TBTP

Removing the Add-Ons

	WARNING: Read and understand operator's manual for unit to be used with this add-on prior to operation.
--	--

1. Turn the knob counterclockwise to loosen (Fig. 1).
2. Press and hold the release button (Fig. 1).
3. While firmly holding the upper shaft housing, pull the add-on straight out of the coupler (Fig.2).

Installing the Add-Ons

	WARNING: To avoid serious personal injury and damage to the unit, shut unit off before removing or installing add-ons.
--	---

NOTE: To make installing or removing the add-on easier, place the unit on the ground or on a work bench.

1. Remove the hanger from the top of the lower shaft housing.
2. Turn the knob counterclockwise to loosen (Fig. 1).
3. While firmly holding the add-on, push it straight into the coupler (Fig. 2).

NOTE: Aligning the release button with the guide recess will help installation (Fig. 1).

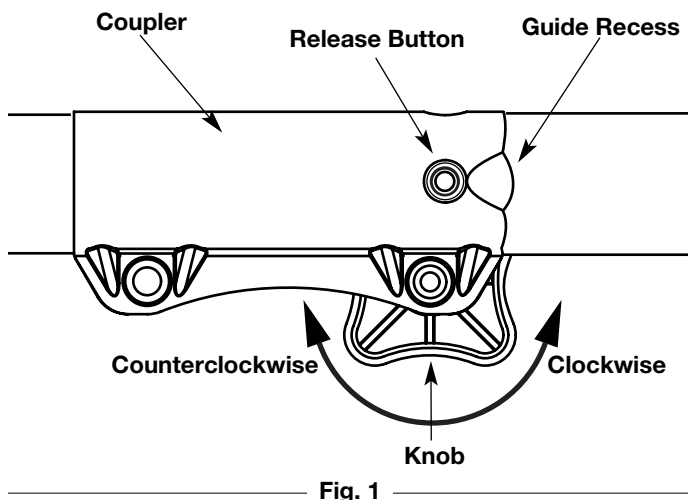


Fig. 1

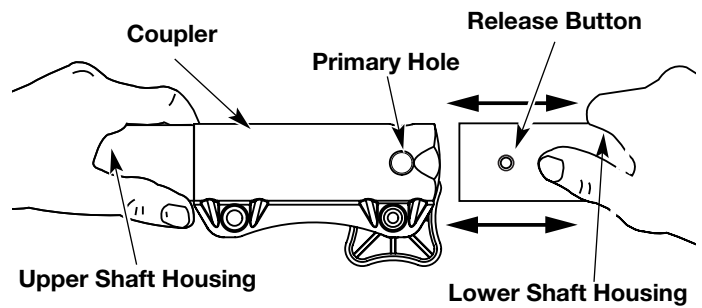


Fig. 2

3. Turn the knob clockwise to tighten (Fig. 3).

	CAUTION: Lock the release button in the primary hole and securely tighten the knob before operating this unit.
--	---

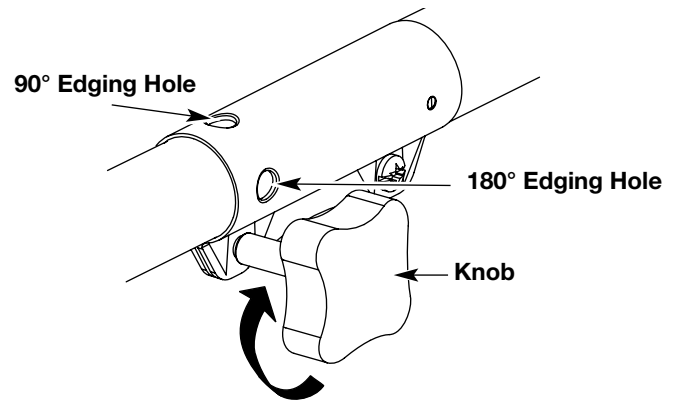


Fig. 3

	CAUTION: The add-ons with the coupler system are to be used in the primary hole only unless stated otherwise in the specific add-ons operator's manual. Using the wrong hole could lead to personal injury or damage to the unit.
--	--

For edging when using the straight shaft trimmer add-on, lock the release button of the cutting attachment into the 90° edging hole or the 180° edging hole (Fig. 3).

Check Flex Shaft Engagement Prior to Using

1. Start the unit.
2. Briefly engage and release the trigger.
3. Check that add-on is operating.
4. If the add-on is not operating, remove add-on and repeat steps for installing the add-on.
5. Recheck operation of add-on attachment.

OPERATING INSTRUCTIONS

HOLDING THE TRIMMER



WARNING: Always wear eye, hearing, foot and body protection to reduce the risk of injury when operating this unit.

Before operating the unit, stand in the operating position (Figs. 4 & 5). Check for the following:

- The operator is wearing eye protection and proper clothing.
- The right arm is slightly bent, and the hand is holding the shaft grip.
- The left arm is straight, and the hand is holding the D-handle or J-handle.
- The unit is at waist level.
- The cutting attachment is parallel to the ground and easily contacts the vegetation to be cut without the operator having to bend over.



Fig. 4



Fig. 5

ADJUSTING TRIMMING LINE LENGTH

The Bump Head™ cutting attachment allows you to release trimming line without stopping the engine. To release more line, lightly tap the cutting attachment on the ground (Fig. 6) while operating the trimmer at high speed.

NOTE: Always keep the trimming line fully extended. Line release becomes more difficult as cutting line becomes shorter.

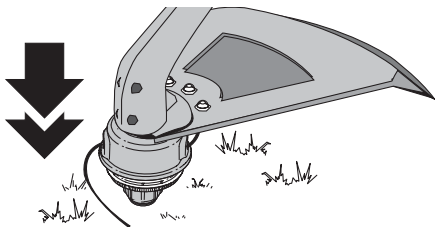


Fig. 6

Each time the head is bumped, about 1 inch (25.4 mm.) of trimming line is released. A blade in the cutting attachment shield will cut the line to the proper length if excess line is released.

For best results, tap the Bump Head™ on bare ground or hard soil. If line release is attempted in tall grass, the engine may stall. Always keep the trimming line fully extended. Line release becomes more difficult as the cutting line becomes shorter.

NOTE: Do not rest the Bump Head™ on the ground while the unit is running.

Some line breakage will occur from:

- Entanglement with foreign matter
- Normal line fatigue
- Attempting to cut thick, stalky weeds
- Forcing the line into objects such as walls or fence posts

TIPS FOR BEST TRIMMING RESULTS

- For best trimming results, operate unit at full throttle.
- Keep the cutting attachment parallel to the ground.
- Do not force the cutting attachment. Allow the tip of the line to do the cutting, especially along walls. Cutting with more than the tip will reduce cutting efficiency and may overload the engine.
- Cut grass over 8 inches (200 mm) by working from top to bottom in small increments to avoid premature line wear or engine drag.
- Cut from left to right whenever possible. Cutting to the right improves the unit's cutting efficiency. Clippings are thrown away from the operator.
- Slowly move the trimmer into and out of the cutting area at the desired height. Move either in a forward-backward or side-to-side motion. Cutting shorter lengths produces the best results.
- Trim only when grass and weeds are dry.
- The life of your cutting line is dependent upon:
 - Following the previous trimming techniques
 - What vegetation is being cut
 - Where it's being cut

For example, the line will wear faster when trimming against a foundation wall as opposed to trimming around a tree.

DECORATIVE TRIMMING

Decorative trimming is accomplished by removing all vegetation around trees, posts, fences, etc.

Rotate the whole unit so that the cutting attachment is at a 30° angle to the ground (Fig. 7).

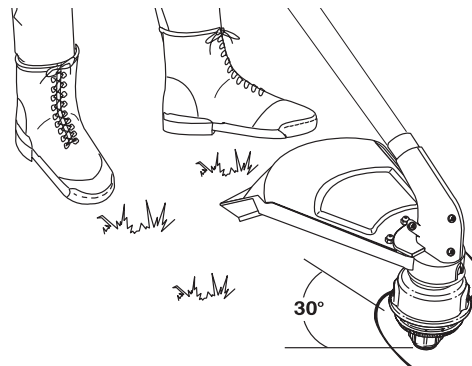


Fig. 7

MAINTENANCE AND REPAIR INSTRUCTIONS

LINE INSTALLATION FOR THE SPEEDSPOOL®

Always use Genuine Factory Parts™ 0.080 inch (2.03 mm) replacement line. Line other than specified may make the engine overheat or fail.



WARNING: Never use metal-reinforced line, wire, or rope, etc. These can break off and become a dangerous projectile.

There are two methods to replace the SpeedSpool® trimming line.

- Wind the inner reel with new line
- Install a prewound inner reel

Winding the Inner Reel With New Line

NOTE: It is unnecessary to remove the bump knob to install new trimming line.

1. Cut two pieces of 0.080 inch (2.03 mm) trimming line, 10 feet (3 m) long.



WARNING: Always use the correct line length when installing trimming line on the unit. The line may not release properly if the line is too long.

2. Hold the outer spool and turn the inner reel counterclockwise to line up the arrows on the outer spool and inner reel (Fig. 8).
3. Pull old line out of the line loading and line locking holes (Figs. 9 and 10).
4. Insert a piece of trimming line into one of the two eyelets in the outer spool. Push it up through the line loading hole in the inner reel (Fig. 9). Do not bend the line when inserting it into the eyelet.

Top View Of The SpeedSpool®

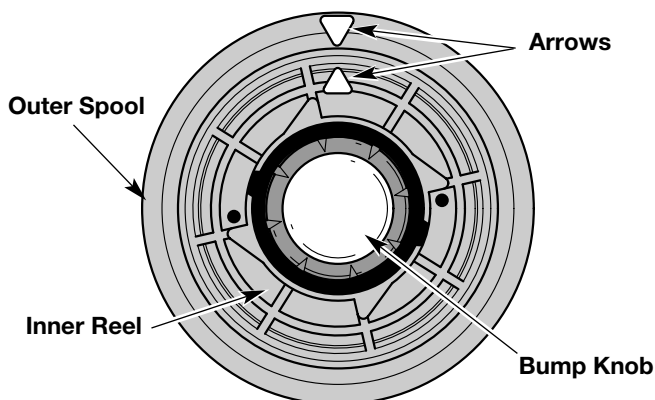


Fig. 8

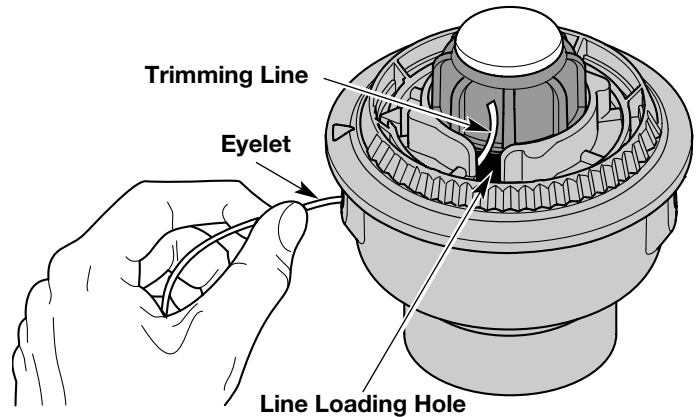


Fig. 9

5. Insert the line into the locking hole (Fig. 10). Do not push the line more than 1/2 inch (12.7 mm) into the line locking hole. When inserted correctly the line will form a small loop (Fig. 10).

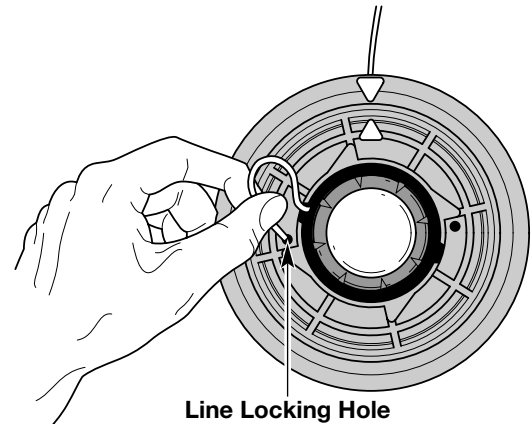


Fig. 10

6. Pull the line from the outer spool until the line is tight against the inner reel (Fig. 11).

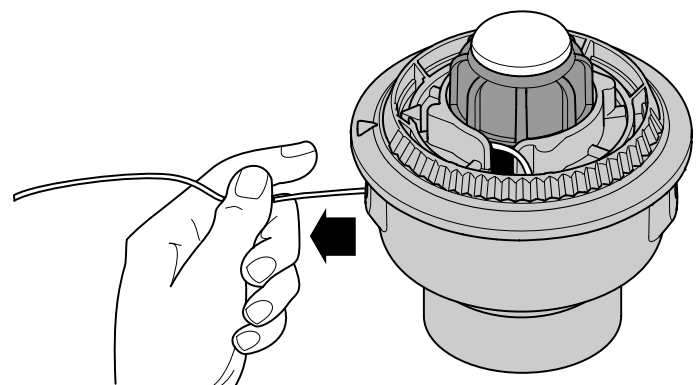


Fig. 11

MAINTENANCE AND REPAIR INSTRUCTIONS

7. Repeat procedures 4-6 with the second piece of line.
8. Hold the outer spool. Wind the inner reel counterclockwise until approximately four (4) inches (102 mm) of line remain (Fig. 12).

NOTE: Do not wind the inner reel before installing the second piece of line.

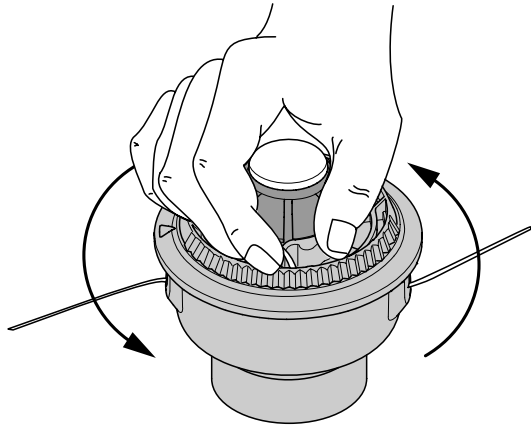


Fig. 12

9. If winding the line becomes difficult or the line jams, pull the ends of the line from the spool (Fig. 13). Continue winding the inner reel counterclockwise.

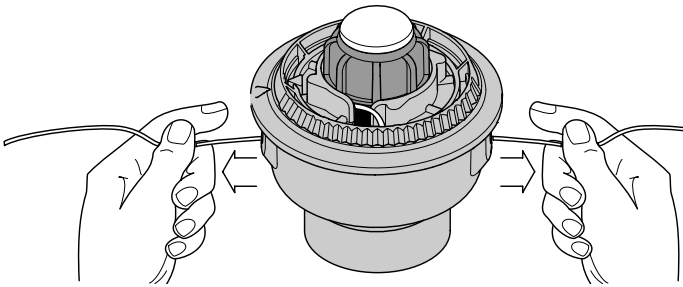


Fig. 13

INSTALLING A PREWOUND REEL

1. Turn the bump knob counterclockwise and remove the bump knob, spring, and foam seal (Fig. 14).

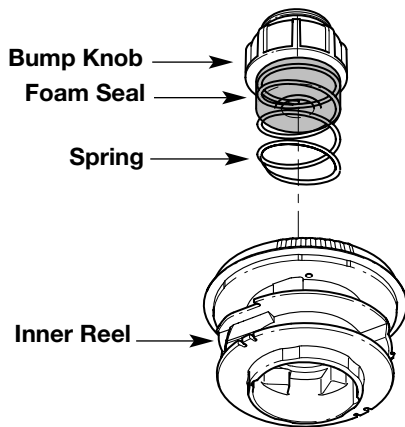


Fig. 14

2. Pull the old inner reel with existing line from the outer spool.
3. Insert the ends of the prewound inner reel line into the outer spool eyelets (Fig. 15). Push the new inner reel, arrow side up, into the outer spool.

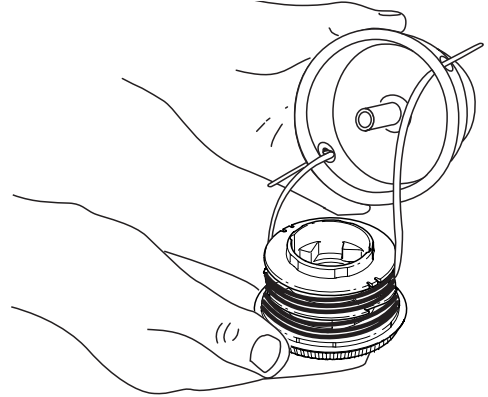


Fig. 15

4. Hold the inner reel in place and install the bump knob, spring and foam seal. Press down and turn the bump knob clockwise. Grasp the ends and pull firmly to release the line from the holding slots in the inner reel. (Fig. 13).

Releasing the Inner Reel

If the SpeedSpool® does not release line correctly, pull the ends of the line firmly from the spool (Fig. 13). If this does not release line, **follow the Cleaning the SpeedSpool® instructions.**

CLEANING THE SPEEDSPOOL®

Cleaning the SpeedSpool® may be necessary,

- To remove jammed or excess line,
 - If the SpeedSpool® becomes difficult to wind or does not operate correctly when bumping the head on the ground,
1. Hold the outer spool, and unscrew the bump knob counterclockwise (Fig. 16).

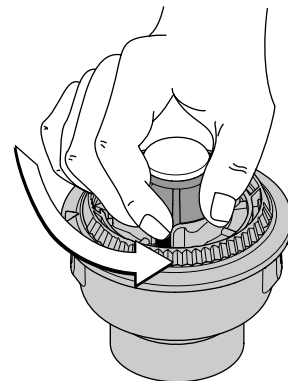


Fig. 16

MAINTENANCE AND REPAIR INSTRUCTIONS

2. Pull out the bump knob, spring, and foam seal (Fig. 14).
3. Pull the inner reel with existing line from the outer spool (Fig. 14).
4. Remove any existing line from the inner reel before cleaning. Remove any debris or grass from the knob, spring, inner reel, and foam seal. Wash the inner reel with warm soapy water (Fig. 17).

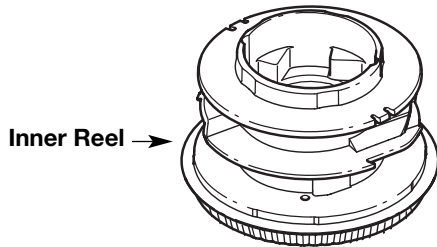


Fig. 17

5. Clean the shaft and the inner surface of the outer spool. To clean the shaft underneath the plunger, press down on the plunger (Fig. 18). Remove any dirt or debris from the shaft.

NOTE: The inner reel must be totally dry before reinstalling it into the outer spool. Do not lubricate the inner reel or outer spool assembly.

6. Place the inner reel into the outer spool.
7. Place the bump knob, spring, and foam seal into the inner reel (Fig. 14).
8. Press the bump knob down and tighten clockwise.
9. Install new line as described in **Line Installation for the SpeedSpool®**

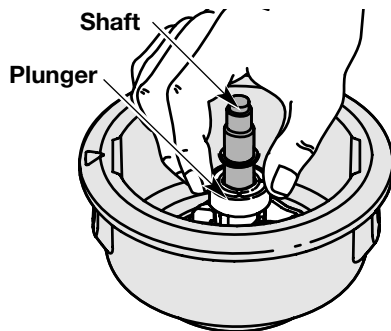


Fig. 18

SPEEDSPOOL® REPLACEMENT PARTS

Replacement Line	181472
Replacement Line Cartridge	181460
Inner Reel Spring	181465
Foam Seal	181467
Inner Reel	181464
Bump Head™ Assembly	181468
(Bump Knob, Inner Reel, Spring,)	

These SpeedSpool® replacement parts can be purchased from your local authorized dealer.

CLEANING

Use a small brush to clean off the outside of the unit. Do not use strong detergents. Household cleaners that contain aromatic oils such as pine and lemon, and solvents such as kerosene, can damage plastic housing or handle. Wipe off any moisture with a soft cloth.

STORAGE

- Check unit before storage to be sure the equipment is in safe working condition.
- Stop the engine or motor.
- Store the unit indoors, in a dry and locked place, out of the reach of children.
- Maintain or replace safety and instruction labels, as necessary.

For gas powerhead units

- Allow the unit to cool before storing in any enclosure.
- Drain fuel from unit. Never store the unit with fuel in the fuel tank inside a building where ignition sources are present such as hot water and space heaters, clothes dryers, etc.

TRANSPORTING

- Allow the unit to cool before transporting.
- Secure the unit while transporting.

For gas powerhead units

- Drain fuel from unit.
- Tighten fuel cap before transporting.

TROUBLESHOOTING

CUTTING HEAD WILL NOT ADVANCE LINE

CAUSE	ACTION
Cutting head bound with grass	Stop the unit and clean cutting attachment
Cutting head out of line	Refill with new line
Inner reel bound up	Replace the inner reel
Cutting head dirty	Clean inner reel and outer spool
Line welded	Disassemble, remove the welded section and rewind the line
Line twisted when refilled	Disassemble and rewind the line
Not enough line is exposed	Push the bump knob and pull out line until 4 inches (102 mm) of line is outside of the cutting attachment

CUTTING LINE ADVANCES UNCONTROLLABLY

CAUSE	ACTION
Oil, cleaner, or lubricant in cutting head	Clean and thoroughly dry the cutting head

If further assistance is required, contact your authorized service dealer.

SPECIFICATIONS

STRAIGHT SHAFT TRIMMER ADD-ON

Unit Weight	3 lbs. (1.36 kg.)
Cutting Mechanism	SpeedSpool® Dual String Cutting Head
Line Spool	Bump Line Releaser
Line Spool Diameter	3 inches (76.2 mm)
Trimming Line Diameter	0.080 inches (2.03 mm)
Cutting Path Diameter	17 inches (43.18 cm)

NOTES

NOTES

MANUFACTURER'S LIMITED WARRANTY FOR:



The limited warranty set forth below is given by Troy-Bilt LLC ("Troy-Bilt") with respect with new merchandise purchased and used in the United States, its possessions and territories.

Troy-Bilt warrants this product against defects in material and workmanship for a period of two (2) years commencing on the date of original purchase and will, at its option, repair or replace, free of charge, any part found to be defective in material or workmanship. This limited warranty shall only apply if this product has been operated and maintained in accordance with the Operator's Manual furnished with the product, and has not been subject to misuse, abuse, commercial use, neglect, accident, improper maintenance, alteration, vandalism, theft, fire, water or damage because of other peril or natural disaster. Damage resulting from the installation or use of any accessory or attachment not approved by Troy-Bilt for use with the product(s) covered by this manual will void your warranty as to any resulting damage.

This warranty is limited to ninety (90) days from the date of original retail purchase for any Troy-Bilt product that is used for rental or commercial purposes, or any other income-producing purpose.

HOW TO OBTAIN SERVICE: Warranty service is available, WITH PROOF OF PURCHASE THROUGH YOUR LOCAL AUTHORIZED SERVICE DEALER. To locate the dealer in your area, please check for a listing in the Yellow Pages or contact the Customer Service Department of Troy-Bilt by calling **1-800-520-5520** or writing to P.O. Box 361131, Cleveland OH 44136-0019 or if in Canada call **1-800-668-1238**. No product returned directly to the factory will be accepted unless prior written permission has been extended by the Customer Service Department of Troy-Bilt.

This limited warranty does not provide coverage in the following cases:

- A. Tune-ups - Spark Plugs, Carburetor Adjustments, Filters
- B. Wear items - Bump Knobs, Outer Spools, Cutting Line, Inner Reels, Starter Pulley, Starter Ropes, Drive Belts
- C. Troy-Bilt does not extend any warranty for products sold or exported outside of the United States of America, its possessions and territories, except those sold through Troy-Bilt's authorized channels of export distribution.

Troy-Bilt reserves the right to change or improve the design of any Troy-Bilt product without assuming any obligation to modify any product previously manufactured.

No implied warranty, including any implied warranty of merchantability or fitness for a particular purpose, applies after the applicable period of express written warranty above as to the parts as identified. No other express warranty or guaranty, whether written or oral, except as mentioned above, given by any person or entity, including a dealer or retailer, with respect to any product shall bind Troy-Bilt. During the period of the Warranty, the exclusive remedy is repair or replacement of the product as set forth above. (Some states do not allow limitations on how long an implied warranty lasts, so the above limitation may not apply to you.)

The provisions as set forth in this Warranty provide the sole and exclusive remedy arising from the sales. Troy-Bilt shall not be liable for incidental or consequential loss or damages including, without limitation, expenses incurred for substitute or replacement lawn care services, for transportation or for related expenses, or for rental expenses to temporarily replace a warranted product. (Some states do not allow limitations on how long an implied warranty lasts, so the above limitation may not apply to you.)

In no event shall recovery of any kind be greater than the amount of the purchase price of the product sold. Alteration of the safety features of the product shall void this Warranty. You assume the risk and liability for loss, damage, or injury to you and your property and/or to others and their property arising out of the use or misuse or inability to use the product.

This limited warranty shall not extend to anyone other than the original purchaser, original lessee or the person for whom it was purchased as a gift.

How State Law Relates to this Warranty: This warranty gives you specific legal rights, and you may also have other rights which vary from state to state.

To locate your nearest service dealer dial **1-800-520-5520** in the United States or **1-800-668-1238** in Canada.

Troy-Bilt LLC

P.O. Box 361131
Cleveland, OH 44136-0019



Manuel de L'utilisateur



Désherbeuse à arbre droit TBSS



IMPORTANT: LISEZ LES RÈGLES ET CONSIGNES DE SÉCURITÉ SOIGNEUSEMENT

P/N 769-02489

(7/06)

INTRODUCTION

TOUS NOS REMERCIEMENTS

Nous vous remercions d'avoir acheté ce produit de qualité. Cet outil moderne de plein air est conçu pour vous rendre service pendant longtemps. Il vous sauvera beaucoup de temps comme vous pourrez vous en rendre compte. Ce manuel de l'utilisateur comporte un mode d'emploi facile à comprendre. Prenez soin de le lire au complet et de respecter toutes les instructions pour conserver votre outil en excellent état de fonctionnement.

RÉFÉRENCES, ILLUSTRATIONS ET SPÉCIFICATIONS RELATIVES AU PRODUIT

Toutes les informations, illustrations et spécifications contenues dans ce manuel tiennent compte des dernières informations techniques disponibles au moment de mettre sous presse. Nous nous réservons le droit de les modifier à tout moment, sans préavis.

Copyright ©2002 MTD SOUTHWEST INC
Tous droits réservés.

Troy-Bilt^{MD} est une marque déposée de
MTD PRODUCTS INC

SpeelSpool^{MD} est une marque déposée de
MTD SOUTHWEST INC

ENTRETIEN

Obtenez la liste des concessionnaires agréés appelez le **1-800-520-5520** aux États-Unis ou le **1-800-668-1238** au Canada. Pour de plus amples informations à propos de votre appareil, visitez www.troybilt.com.

NE RETOURNEZ PAS L'APPAREIL AU DÉTAILLANT CHEZ QUI VOUS L'AVEZ ACHETÉ. TOUT SERVICE SOUS GARANTIE NÉCESSITE UNE PREUVE D'ACHAT.

CE PRODUIT EST COUVERT PAR UN OU PLUSIEURS BREVETS AMÉRICAINS, ET D'AUTRES SONT EN INSTANCE.

Tout entretien effectué sur cet appareil pendant et après la période de garantie doit être fait par un concessionnaire agréé uniquement.

AVERTISSEMENT !

Lisez le(s) manuel(s) de l'utilisateur et suivez tous les avertissements et consignes de sécurité. Vous pourriez à défaut entraîner des blessures graves pour vous ou d'autres personnes.

TABLE DES MATIÈRES

I. Consignes de sécurité	F3-F6
A. Importantes consignes de sécurité	F3-F4
B. Symboles de sécurité et internationaux	F5
C. Familiarisez-vous avec votre appareil	F6
II. Mode d'emploi	F7-F9
A. Montage du coupleur	F7
B. Tenue de l'appareil avec l'accessoire de désherbeuse à arbre droit	F8
C. Réglage de la longueur du fil	F8
D. Conseils pour bien désherber	F8
E. Coupe décorative	F9
III. Entretien et réparations	F10-F12
A. Installation du fil de SpeedSpoolMD	F10
B. Installer un mulinet prérembobiné	F11
C. Nettoyage du SpeedSpoolMD	F12
D. Accessoires/pièces de rechange	F12
E. Nettoyage	F12
F. Entreposage	F12
G. Transport	F12
IV. Tableau de dépannage	F13
V. Caractéristiques	F14
VI. Garantie	F16

CONTENU DE L'EMBALLAGE

Cet appareil comporte les éléments suivants :

- Accessoire de désherbeuse à arbre droit TBSS
- Crochet
- Manuel de l'utilisateur
- Carte d'enregistrement du produit

REMARQUE : ce produit est prévu pour être utilisé sur une tête d'entraînement à essence ou électrique.

CONSIGNES DE SÉCURITÉ

Les symboles de sécurité attirent votre attention sur des dangers potentiels. Ces symboles et leurs détails explicatifs méritent que vous les lisiez et compreniez bien. Les avertissements de sécurité ne peuvent éviter les dangers de par eux-mêmes. Les consignes ou mises en garde qu'ils donnent ne remplacent pas des mesures préventives appropriées contre les accidents.

SYMBOLE SIGNIFICATION



SYMBOLE D'ALERTE DE SÉCURITÉ : indique un danger, un avertissement ou une mise en garde. Soyez vigilant afin d'éviter toute blessure grave. Ce symbole peut être combiné à d'autres symboles ou pictogrammes.

REMARQUE : donne des informations ou des instructions vitales pour le fonctionnement ou l'entretien de l'équipement.



DANGER : le non-respect d'un avertissement entraînera des blessures graves pour tous. Respectez toujours les consignes de sécurité afin de réduire les risques d'incendie, de choc électrique et de blessures.



AVERTISSEMENT : le non-respect d'un avertissement peut entraîner des blessures graves pour tous. Respectez toujours les consignes de sécurité afin de réduire les risques d'incendie, de choc électrique et de blessures.



MISE EN GARDE : le non-respect d'un avertissement risque d'entraîner des dommages matériels ou des blessures graves pour tous. Respectez toujours les consignes de sécurité afin de réduire les risques d'incendie, de choc électrique et de blessures.

• IMPORTANTES CONSIGNES DE SÉCURITÉ •

LISEZ TOUTES LES INSTRUCTIONS



AVERTISSEMENT : suivez soigneusement les consignes de sécurité lorsque vous utilisez cet appareil. Dans l'intérêt de votre sécurité et de celle des personnes à proximité, prenez soin de lire ces instructions avant de faire fonctionner la machine. Veuillez garder les instructions en lieu sûr pour usage ultérieur.

AVANT L'UTILISATION

- Prenez soin de bien lire et comprendre le manuel de l'appareil qui alimente cet accessoire.
- Veuillez lire le manuel de l'utilisateur attentivement. Familiarisez-vous avec les commandes et l'utilisation correcte de l'appareil. Sachez comment arrêter l'appareil et désactiver les commandes rapidement.
- N'utilisez pas l'appareil si vous êtes fatigué, malade ou sous l'effet de l'alcool, de drogues ou de médicaments.
- Ne laissez pas les enfants faire fonctionner l'appareil. Ne laissez jamais des adultes qui ne se sont pas familiarisés avec les instructions utiliser l'appareil. Ne laissez jamais des adultes n'ayant jamais reçu les instructions nécessaires faire fonctionner l'appareil.
- Tous les accessoires de sécurité et protections doivent être correctement installés avant d'utiliser cet appareil.
- Inspectez l'appareil avant utilisation.
- Dégagez la zone avant chaque utilisation. Enlevez tous les objets pouvant être projetés ou happés par l'accessoire : cailloux, verre brisé, clous, fil ou ficelle.
- Utilisez uniquement une ligne de remplacement Genuine Factory Parts^{MC} de 2,03 mm (0,080 po). N'utilisez jamais de ligne, fil ou corde renforcés de métal. Ils peuvent se rompre et devenir de dangereux projectiles.
- Cet appareil n'est pas conçu pour servir de débroussailleuse. N'utilisez cet appareil avec aucun type de lame ou d'accessoire de débroussaillage.

POUR TÊTES D'ENTRAÎNEMENT À ESSENCE ET DÉSHERBEUSE À ARBRE DROIT



AVERTISSEMENT : l'essence est extrêmement inflammable et ses vapeurs peuvent exploser si on y met le feu. Veuillez prendre les précautions suivantes :

- Ne stockez le carburant que dans des contenants conçus et homologués pour stocker ces matières.
- Arrêtez toujours le moteur et laissez-le refroidir avant de remplir le réservoir. N'enlevez jamais le bouchon du réservoir et n'ajoutez jamais de carburant alors que le moteur est chaud. Ne faites jamais marcher l'appareil sans que le bouchon soit bien mis. Desserrez celui-ci lentement afin de réduire la pression du réservoir.
- Mélangez et ajoutez le carburant dans un endroit aéré et propre, en plein air, à l'abri des étincelles ou des flammes. N'enlevez lentement le bouchon du réservoir d'essence qu'après avoir arrêté le moteur. Ne fumez pas pendant le remplissage ou le mélange de carburant. Essayez immédiatement tout déversement.
- Évitez de mettre le feu au carburant déversé. Ne démarrez pas le moteur avant que les vapeurs de carburant ne se soient dissipées.
- Éloignez l'appareil d'au moins 9,1 m (30 pi) de la source et du site de ravitaillement en carburant avant de démarrer le moteur. Ne fumez pas et éloignez toute source d'étincelles ou de flammes vives du lieu de ravitaillement ou de fonctionnement de l'appareil.
- Évitez de démarrer ou de faire marcher l'appareil à l'intérieur d'une pièce ou d'un bâtiment fermé. La respiration de fumées d'échappement peut tuer. Ne faites marcher l'appareil qu'à l'extérieur, dans un lieu aéré.

AVERTISSEMENTS DE SÉCURITÉ SPÉCIAUX POUR TÊTES D'ENTRAÎNEMENT ÉLECTRIQUES ET DÉSHERBEUSE À ARBRE DROIT

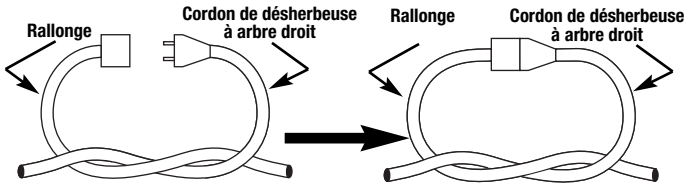


AVERTISSEMENT : afin de diminuer les risques de choc électrique, utilisez uniquement des rallonges à prise ronde, homologuées pour l'usage à l'extérieur, de type SW-A, SOW-A, STW-A, STOW-A, SJW-A, SJOW-A, SJTW-W ou SJTOW-A. Vous pourrez vous en procurer chez votre détaillant.

- **CORDONS** : assurez-vous que votre cordon est en bon état et assez solide pour transporter le courant nécessaire à l'appareil. Il peut provoquer sinon une chute de tension entraînant une panne de courant et une surchauffe. Reportez-vous au calibre de cordon recommandé dans le manuel de l'utilisateur.

CONSIGNES DE SÉCURITÉ

- Inspectez souvent les rallonges et la connexion d'alimentation. Relevez tout signe de détérioration, coupures ou fissures dans l'isolation. Vérifiez que les connexions ne sont ni endommagées ni défectueuses, et remplacez les cordons le cas échéant.
- Évitez que la tête d'entraînement de désherbeuse à arbre droit ne se déconnecte de la rallonge en utilisant une sangle de fixation ou un connecteur de retenue de la fiche et de la prise, ou en faisant un nœud comme indiqué ci-dessous :



- Évitez les lieux dangereux. N'utilisez jamais l'appareil dans des conditions humides ou mouillées. L'humidité peut provoquer l'électrocution.
- N'utilisez pas l'appareil sous la pluie. Ne l'utilisez pas à proximité de l'eau.
- Ne manipulez pas la prise ou l'appareil les mains mouillées ou debout sur une surface mouillée.
- Ne laissez pas l'appareil branché quand il ne sert pas, pendant un entretien ou un changement d'accessoire.

PENDANT L'UTILISATION DE L'APPAREIL

- Tenez les visiteurs, surtout les enfants et les animaux familiers à une distance d'au moins 15 m (50 pi).
- Portez des lunettes de sécurité conformes aux normes ANSI Z87.1 ainsi que des protège-oreilles durant l'utilisation de l'appareil. Portez un masque facial ou antipoussières si vous travaillez dans un lieu poussiéreux.
- Portez des pantalons épais et longs, des bottes, des gants et une chemise à manches longues. Ne marchez pas pieds nus et évitez les vêtements lâches, bijoux, pantalons courts et sandales. Relevez les cheveux au-dessus des épaules.
- N'utilisez l'appareil qu'en plein jour ou avec un bon éclairage artificiel.
- Utilisez les outils appropriés. N'employez l'outil que pour son usage prévu.
- Ne forcez pas ni ne surchargez l'appareil. Il accomplira un travail de meilleure qualité, en présentant moins de dangers, si vous respectez la cadence nominale pour laquelle il a été conçu.
- Ne vous étirez pas et faites très attention lorsque vous travaillez sur des pentes ou inclinaisons abruptes. Tenez-vous toujours bien campé, en position d'équilibre.
- Tenez toujours l'appareil des deux mains lorsqu'il est en marche. Agrippez fermement les poignées avant et arrière.
- Gardez les mains, le visage et les pieds éloignés des pièces mobiles. Ne touchez pas et n'essayez pas d'arrêter l'accessoire de coupe en rotation. Ne faites pas fonctionner l'appareil sans les protections.

- La lame continue de tourner à vide une fois le moteur éteint et peut causer des blessures graves. Gardez le contrôle jusqu'à ce qu'elle soit immobilisée.
- Arrêtez toujours l'appareil si vous suspendez la coupe ou si vous vous déplacez d'un lieu de travail vers un autre.
- Si vous heurtez ou happez un corps étranger, arrêtez le moteur immédiatement et vérifiez que rien n'a été endommagé. Réparez tout dommage éventuel avant de poursuivre le travail.
- Arrêtez le moteur IMMÉDIATEMENT si vous ressentez une vibration excessive car cela indique un problème. Vérifiez qu'il n'y a ni écrous ni boulons desserrés, ni aucun dommage avant de continuer. Réparez ou remplacez les pièces affectées au besoin.
- Arrêtez et éteignez l'appareil dans ces cas-ci : entretien, réparation, changement d'accessoires. L'appareil et la tête de coupe doivent être arrêtés pour éviter toute blessure.
- N'utilisez que des pièces de rechange et accessoires Genuine Factory Parts^{MC} pour cet appareil. Ils sont disponibles auprès de votre concessionnaire agréé. L'utilisation de tous accessoires ou pièces non-agrées peut entraîner des blessures graves à l'utilisateur ou des dégâts à l'appareil, et annuler votre garantie.

MAINTENANCE AND STORAGE

- Laissez le moteur refroidir avant de l'entreposer ou de le transporter. Attachez bien l'appareil pendant le transport.
- Rangez l'appareil dans un endroit verrouillé et sec, ou élevé et sec, hors de portée des enfants, pour éviter une utilisation indésirable ou un accident.
- Ne trempez et n'arrosez jamais l'appareil avec de l'eau ou un liquide quelconque. Gardez les poignées sèches, propres et exemptes de débris. Nettoyez l'appareil et les étiquettes avec une éponge humide. Nettoyez après chaque utilisation.
- Conservez ces instructions. Consultez-les souvent et servez-vous en pour instruire d'autres usagers. Si vous prêtez l'appareil à quelqu'un, prêtez-lui également ces instructions.
- Les réparations ou les procédures d'entretien qui ne sont pas décrites dans le manuel doivent être strictement confiées à des techniciens qualifiés.
- Vérifiez à intervalles fréquents que les boulons des forces à tondre et les boulons de montage du moteur et autres sont bien serrés afin de vous assurer que l'équipement fonctionne correctement.
- À l'intérieur d'un bâtiment, rangez l'appareil à l'écart des sources d'allumage. Laissez le moteur refroidir avant de l'entreposer dans une enceinte.
- Reportez-vous toujours aux importantes instructions du manuel de l'utilisateur si vous prévoyez d'entreposer l'appareil pendant une durée prolongée.
- N'essayez pas de réparer l'appareil à moins de disposer des outils appropriés et des instructions de démontage et de réparation de la machine.

CONSERVEZ CES INSTRUCTIONS

CONSIGNES DE SÉCURITÉ

SYMBOLES DE SÉCURITÉ ET INTERNATIONAUX

Ce manuel de l'utilisateur décrit les symboles et pictogrammes de sécurité et internationaux pouvant apparaître sur ce produit. Consultez le manuel de l'utilisateur pour les informations concernant la sécurité, le montage, le fonctionnement, l'entretien et les réparations.

SYMBOLE

SIGNIFICATION



• SYMBOLE D'ALERTE DE SÉCURITÉ

Indique un danger, un avertissement ou une mise en garde. Ce symbole peut être combiné à d'autres symboles ou pictogrammes.



• AVERTISSEMENT - LISEZ LE MANUEL DE L'UTILISATEUR

Lisez le manuel de l'utilisateur et suivez tous les avertissements et consignes de sécurité. Vous pourriez à défaut entraîner des blessures graves pour vous ou d'autres personnes.



• PORTEZ DES PROTECTIONS (YEUX ET OREILLES)

AVERTISSEMENT : les outils mécaniques peuvent projeter des objets et faire beaucoup de bruit, ce qui peut gravement blesser les yeux et endommager l'ouïe. Portez toujours des lunettes de sécurité conformes aux normes ANSI Z87.1 que des protège-oreilles durant l'utilisation de l'appareil. Protégez-vous le visage avec un masque intégral au besoin.



• ÉLOIGNEZ LES SPECTATEURS

AVERTISSEMENT : éloignez tout spectateur, les enfants et les animaux domestiques en particulier, d'au moins 15 m (50 pi) de la zone de coupe.



• LES OBJETS PROJÉTÉS ET LA LAME ALTERNATIVE PEUVENT CAUSER DES BLESSURES GRAVES

AVERTISSEMENT : inspectez l'appareil avant utilisation. N'utilisez pas l'appareil si la lame est tordue, fendillée ou émoussée. Restez à l'écart de la lame.



• LAME AIGUISÉE

AVERTISSEMENT : le protecteur d'accessoire de coupe comporte une lame aiguisée. Ne touchez pas la lame pour éviter des blessures graves.

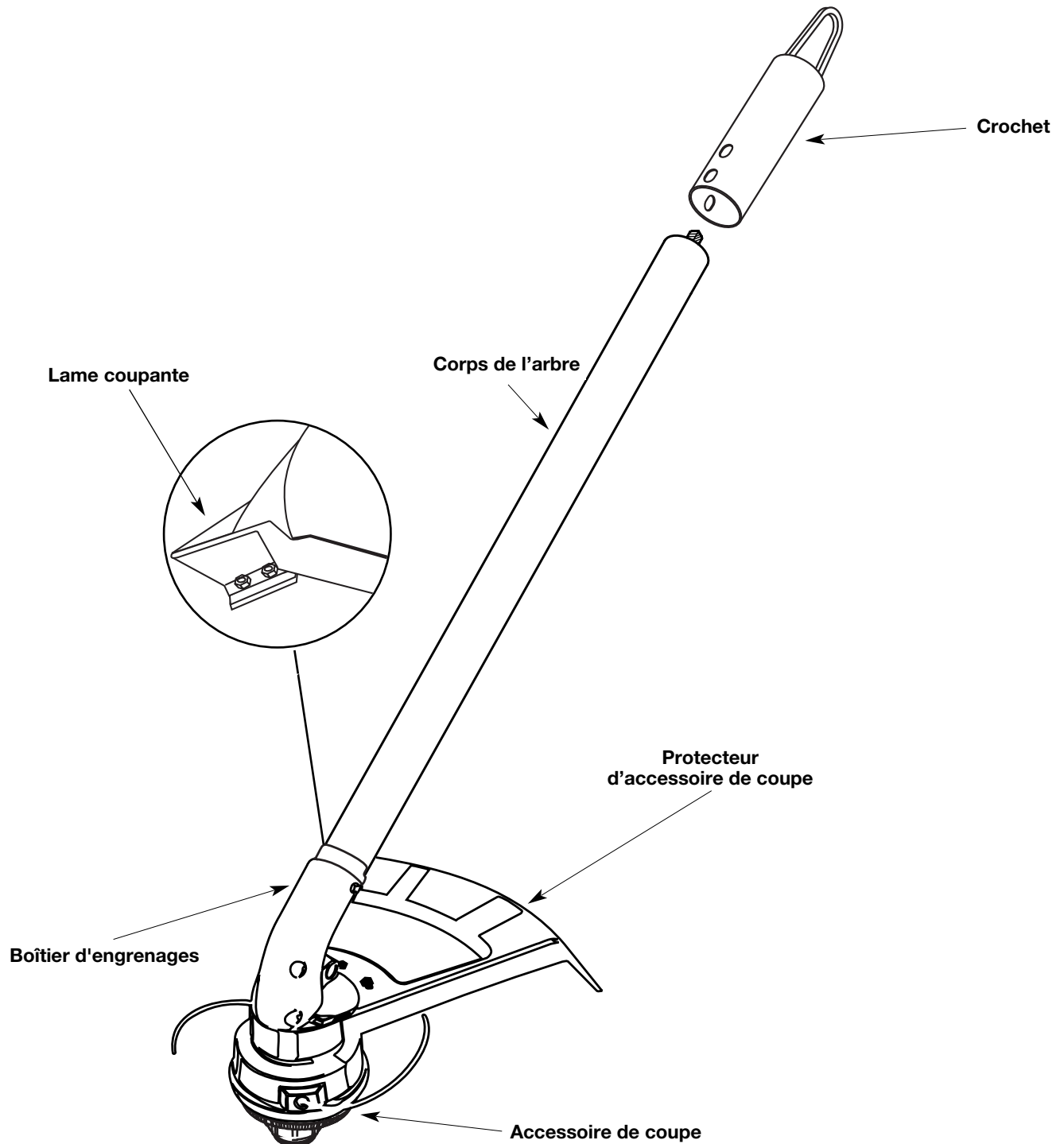
CONSIGNES DE SÉCURITÉ

FAMILIARISEZ-VOUS AVEC VOTRE APPAREIL

APPLICATIONS

Avec l'accessoire à désherber :

- Coupe d'herbe et de mauvaises herbes légères.
- Taille autour des arbres, des clôtures, etc.



MODE D'EMPLOI

MONTAGE DU COUPLEUR

Les accessoires Troy-Bilt suivants sont également disponibles pour votre appareil :

Souffleuse/aspirateur	TBBV
Cultivateur	TBGC
Taille-haies	TBHS
Coupe-bordure	TBLE
Souffleuse à neige	TBST
Turbosouffleuse	TBTP
Élagueuse	TBTP

Retrait de l'accessoire



AVERTISSEMENT : veuillez bien assimiler le manuel des accessoires avant utilisation.

1. Dévissez le bouton vers la gauche (Fig. 1).
2. Appuyez sur le bouton de déclenchement et maintenez-le enfoncé (Fig. 1).
3. En tenant fermement le logement de l'arbre supérieur, retirez l'accessoire du coupleur (Fig. 2).

Installation de l'accessoire



AVERTISSEMENT : pour éviter des blessures graves, éteignez l'appareil avant d'enlever ou d'installer des accessoires.

REMARQUE : pour faciliter l'installation ou le retrait d'accessoires, placez l'appareil au sol ou sur un établi.

1. Enlevez le crochet de la partie supérieure du corps de l'arbre.
2. Dévissez le bouton vers la gauche (Fig. 1).
3. Tenez fermement l'accessoire et enfoncez-le tout droit dans le coupleur (Fig. 2).

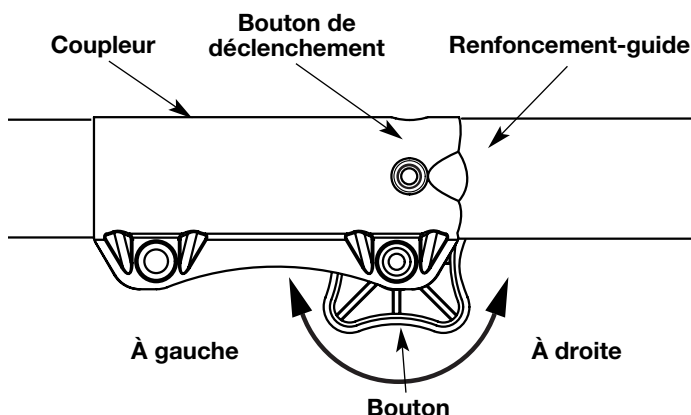


Fig. 1

REMARQUE : alignez le bouton de déclenchement avec le renforcement-guide pour faciliter l'installation (Fig. 1).

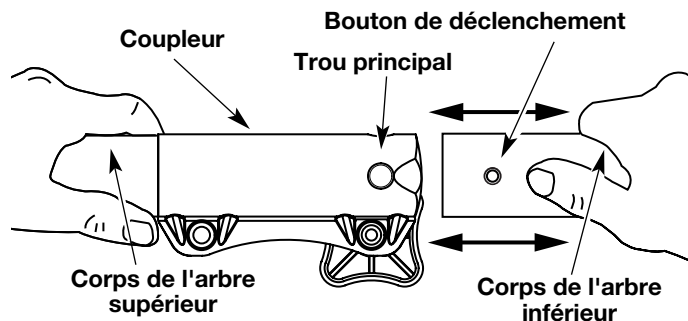


Fig. 2

3. Serrez le bouton en le tournant à droite (Fig. 3).



MISE EN GARDE : verrouillez le bouton de déclenchement dans le trou principal et vissez bien le bouton avant de faire marcher l'appareil.

Trou de coupe de bordures de 90°

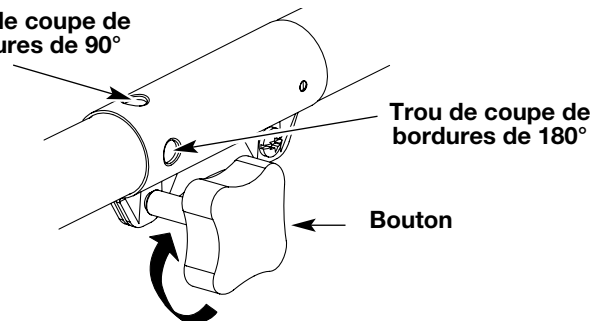


Fig. 3



MISE EN GARDE : les accessoires avec coupleur doivent utiliser le trou principal uniquement sauf indication contraire de leurs manuels respectifs. L'utilisation du mauvais trou pourrait causer des blessures ou endommager l'appareil.

Pour couper les bordures à l'aide de l'accessoire à désherber à arbre droit, verrouillez le bouton de déclenchement de l'accessoire de coupe dans le trou de 90° ou de 180° (Fig. 3).

Vérifiez que le bras flexible est bien engagé avant l'utilisation

1. Démarrez l'appareil.
2. Appuyez brièvement sur la détente, puis relâchez-la.
3. Vérifiez le fonctionnement de l'accessoire.
4. S'il ne fonctionne pas, retirez-le et répétez la procédure d'installation.
5. Vérifiez de nouveau le fonctionnement de l'accessoire.

MODE D'EMPLOI

TENUE DE LA DÉSHERBEUSE



AVERTISSEMENT: portez toujours des protections (yeux, oreilles, pieds et corps) pour diminuer les risques de blessures durant l'utilisation de l'appareil.

Avant de faire marcher l'appareil, tenez-vous en position de fonctionnement (Figs. 4 et 5). Vérifiez les points suivants:

- L'opérateur porte une visière et des vêtements appropriés.
- Le bras droit est légèrement plié et la main tient l'arbre par sa prise.
- Le bras gauche est droit et la main tient la poignée en D ou en J.
- L'appareil est au-dessous de la ceinture.
- L'accessoire de coupe est parallèle au sol et touche facilement la végétation sans que l'opérateur ne doive se pencher.



Fig. 4



Fig. 5

RÉGLAGE DE LA LONGUEUR DU FIL

L'accessoire de coupe Bump Head^{MC} vous permet de donner du fil sans arrêter le moteur. Pour avoir plus de fil, tapez doucement l'accessoire de coupe sur le sol (Fig. 6) tout en faisant marcher la désherbeuse à haut régime.

REMARQUE : gardez toujours le fil bien déroulé. Il devient plus difficile de donner du fil à mesure que le fil de coupe devient plus court.

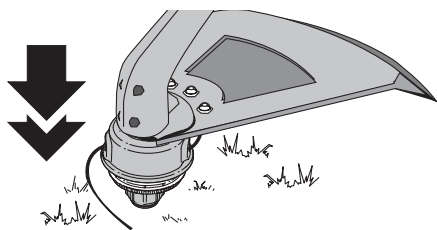


Fig. 6

Chaque fois que vous donnez un coup sur la tête, vous déroulez environ 25,4 mm (1 po) de fil. La lame du protecteur d'accessoire de coupe est conçue pour couper le fil à la bonne longueur si vous déroulez trop de fil.

Pour de meilleurs résultats, tapez la tête Bump Head^{MC} sur un sol dégagé ou dur. Si vous donnez du fil dans un lieu d'herbe haute, vous risquez de caler le moteur. Gardez toujours le fil bien déroulé. Il devient plus difficile de donner du fil à mesure que le fil de coupe se raccourci.

REMARQUE : ne posez pas la tête de butée (Bump Head^{MC}) sur le sol lorsque l'appareil est en marche.

Le fil peut se briser dans les cas suivants :

- Happement de corps étrangers
- Usure normale du fil
- Coupe de mauvaises herbes épaisses à longues tiges
- Forcer le fil dans des objets comme des murs ou des poteaux de clôture

CONSEILS POUR BIEN DÉSHERBER

- Pour bien désherber, faites fonctionner l'appareil à plein gaz.
- Le bon angle pour l'accessoire de coupe est parallèle au sol.
- Ne forcez pas l'accessoire. Coupez avec la pointe du fil (surtout le long des murs). Utiliser plus que la pointe diminue l'efficacité de la coupe et peut surcharger le moteur.
- Coupez l'herbe de plus de 200 mm (8 po) en procédant de haut en bas par petits incréments pour éviter d'user le fil prématurément ou de freiner le moteur.
- Coupez de droite à gauche chaque fois que possible. Cela améliore l'efficacité de coupe de l'appareil et les résidus de coupe sont projetés loin de l'opérateur.
- Déplacez lentement la désherbeuse dans et hors de la zone de coupe à la hauteur voulue. Procédez d'avant en arrière ou d'un côté à l'autre. Les coupes de longueur plus courte donnent les meilleurs résultats.
- Ne désherbez que lorsque l'herbe et les mauvaises herbes sont sèches.
- La durée de vie de votre fil de coupe dépend :
 - de l'application des techniques de coupe précédentes;
 - du type de végétation à couper;
 - du lieu de coupe.

Par exemple, le fil s'use plus vite si vous coupez le long d'un mur de fondation que si vous coupez autour d'un arbre.

COUPE DÉCORATIVE

La coupe décorative consiste à déblayer la végétation autour des arbres, des bornes, des clôtures, etc.

Tournez entièrement l'appareil de manière à ce que l'accessoire de coupe soit à un angle de 30° par rapport au sol (Fig. 7).

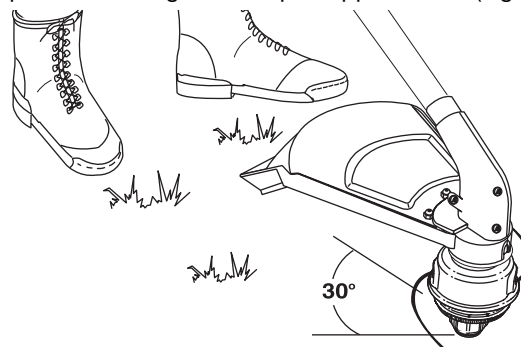


Fig. 7

ENTRETIEN ET RÉPARATIONS

INSTALLATION DU FIL DU SPEEDSPOOL^{MD}

Utilisez toujours une ligne de remplacement Genuine Factory Parts^{MC} de 2,03 mm (0,080 po). Tout autre ligne peut faire surchauffer ou entraîner une panne du moteur.



AVERTISSEMENT : n'utilisez jamais de fil, de chaîne ou de cordon à renfort métallique car ils peuvent se briser et se transformer en projectile dangereux.

Vous pouvez remplacer le fil du SpeedSpool^{MD} de deux façons:

- Rembobinez du fil neuf dans le moulinet intérieur
- Installez un moulinet intérieur pré-enroulé

Rembobiner le fil neuf sur le moulinet intérieur

REMARQUE : il est inutile d'enlever le bouton de butée pour installer un fil neuf.

1. Découpez deux morceaux de fil de 2,03 mm (0,080 po) de 3 m (10 pi) de long.



AVERTISSEMENT: utilisez toujours la bonne longueur de fil lorsque vous posez le fil sur l'appareil. Le fil risque de ne pas se dérouler correctement s'il est trop long.

2. Alignez la flèche du moulinet intérieur avec celle de la bobine extérieure (Fig. 8).
3. Tirez le vieux fil des trous de chargement et de blocage du fil (Figs. 9 et 10).
4. Insérez un morceau de fil dans l'un des deux œillets de la bobine extérieure. Enfoncez-le dans le trou de chargement du moulinet intérieur (Fig. 9). Ne pliez pas le fil en l'insérant dans l'œillet.

SpeedSpool^{MD} vu de haut

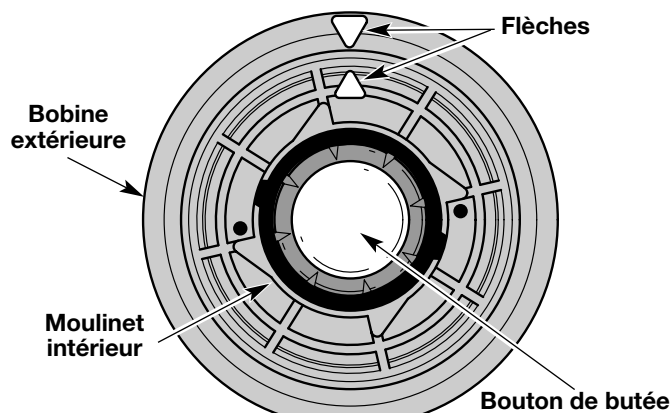


Fig. 8

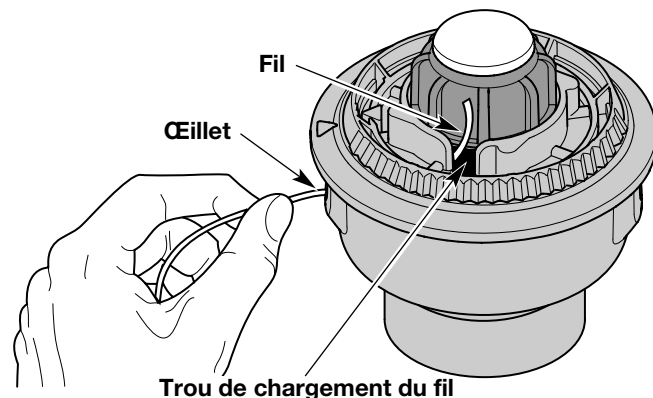


Fig. 9

5. Insérez le fil dans le trou de blocage (Fig. 10). N'enfoncez pas le fil de plus de 12,7 mm (1/2 po) dans le trou. S'il est inséré correctement, le fil forme une petite boucle (Fig. 10).

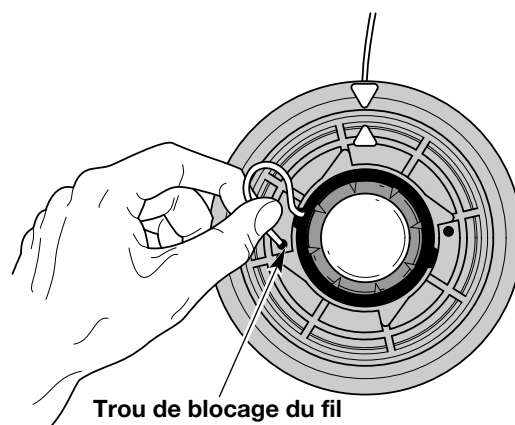


Fig. 10

6. Tirez le fil de la bobine extérieure jusqu'à ce qu'il soit bien serré contre le moulinet intérieur (Fig. 11).

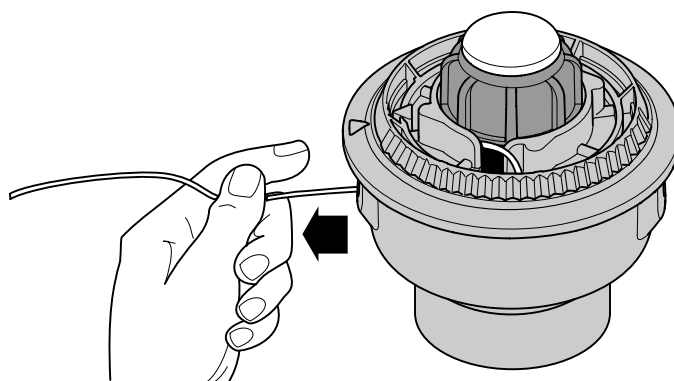


Fig. 11

ENTRETIEN ET RÉPARATIONS

- Répétez les procédures 4-6 pour le second morceau de fil.
- Tenez la bobine extérieure. Rembobinez le moulinet intérieur vers la gauche jusqu'à ce qu'il ne reste plus qu'environ 102 mm (4 po) de fil (Fig. 12).

REMARQUE : ne rembobinez pas le moulinet intérieur avant de poser le second fil.

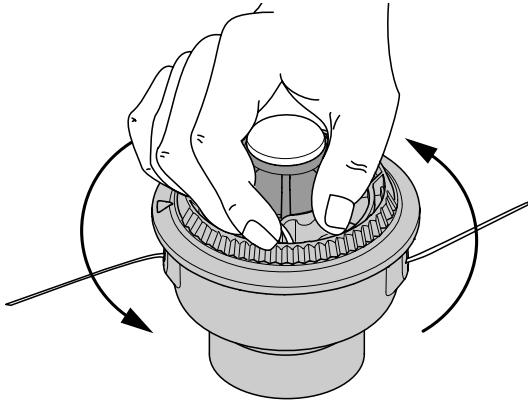


Fig. 12

- Si le rembobinage du fil devient difficile ou si le fil se coince, tirez-en les extrémités de la bobine. Continuez de rembobiner le moulinet intérieur vers la gauche (Fig. 13).

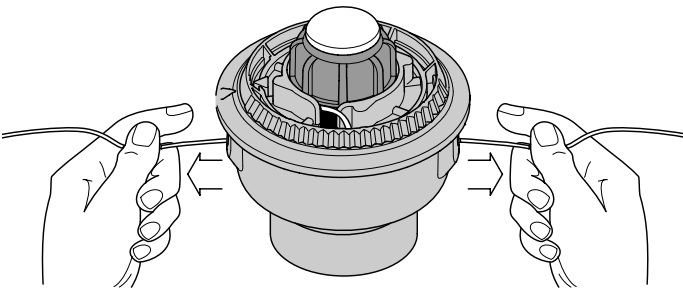


Fig. 13

Installation d'un moulinet pré-enroulé

- Retirez le bouton de butée, le ressort et le joint en mousse en tournant le bouton de butée à gauche (Fig. 14).

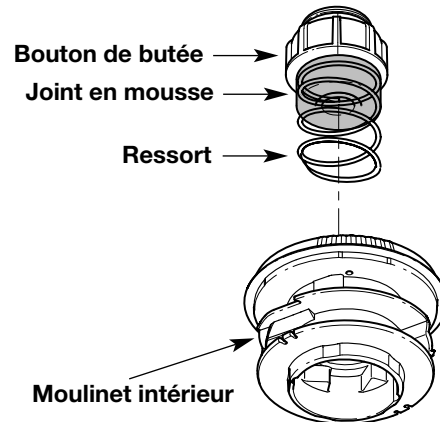


Fig. 14

- Retirez de la bobine extérieure le vieux moulinet intérieur avec son fil.
- Insérez les extrémités du fil du moulinet intérieur neuf dans les œillets de la bobine extérieure (Fig. 15). Enfoncez le moulinet intérieur neuf, flèche vers le haut, dans la bobine extérieure.

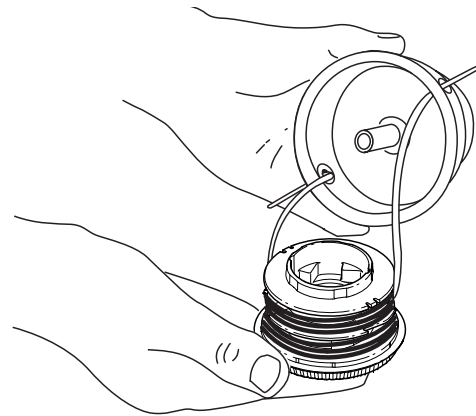


Fig. 15

- Maintenez le moulinet intérieur et installez le bouton de butée, le ressort, et le joint en mousse en poussant le bouton de butée vers le bas et en le tournant à droite. Saisissez les extrémités et tirez fermement pour dégager le fil des fentes de retenue du moulinet intérieur. (Fig. 13).

Dérroulement du moulinet intérieur

Si le SpeedSpool^{MD} ne déroule pas le fil correctement, tirez fermement les extrémités du fil loin de la bobine (Fig. 13). Si cela ne suffit pas, suivez les instructions de **nettoyage du SpeedSpool^{MD}** ci-dessous.

ENTRETIEN ET RÉPARATIONS

Nettoyage du SpeedSpool^{MD}

Le nettoyage du SpeedSpool^{MD} peut s'avérer nécessaire

- pour retirer du fil coincé ou trop long;
 - si le SpeedSpool^{MD} devient difficile à rembobiner ou s'il ne fonctionne pas correctement lorsque vous tapez sa tête sur le sol.
1. Tenez la bobine extérieure et dévissez le bouton de butée à gauche (Fig. 16).

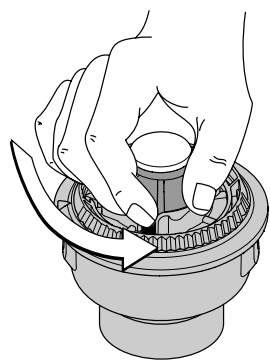


Fig. 16

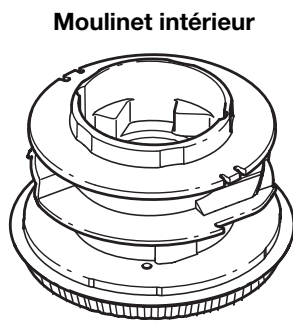


Fig. 17

2. Tirez le bouton de butée, le ressort et le joint en mousse (Fig. 14).
3. Retirez de la bobine extérieure le moulinet intérieur avec son fil (Fig. 14).
4. Retirez tout le fil du moulinet intérieur avant de nettoyer. Enlevez tout débris ou trace d'herbe du bouton, du ressort, du moulinet et du joint en mousse. Lavez le moulinet intérieur avec de l'eau tiède savonneuse (Fig. 17).
5. Nettoyez l'axe et la surface intérieure de la bobine extérieure. Pour nettoyer l'axe dissimulé sous le plongeur, appuyez sur celui-ci (Fig. 18). Enlevez toute trace de saleté et de débris de l'axe.

REMARQUE : le moulinet intérieur doit être complètement sec avant de le réinstaller dans la bobine extérieure. Ne lubrifiez pas le moulinet intérieur ni la bobine extérieure.

6. Placez le moulinet intérieur dans la bobine extérieure.
7. Placez le bouton de butée, le ressort et le joint en mousse dans la bobine extérieure (Fig. 14).
8. Serrez le bouton de butée en appuyant dessus et en tournant à droite.
9. Posez le fil neuf tel qu'indiqué dans **Installation du fil de SpeedSpool^{MD}**

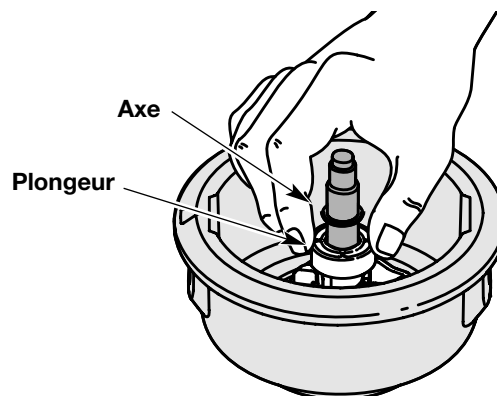


Fig. 18

PIÈCES DE RECHANGE SPEEDSPOOL^{MD}

Fil de remplacement	181472
Cartouche de fil de remplacement	181460
Ressort du moulinet intérieur	181465
Joint en mousse	181467
Moulinet intérieur	181464
Ens. du bouton Bump Head ^{MC} (Bouton de butée, moulinet intérieur, ressort)	181468

Vous pouvez vous procurer ces pièces de rechange SpeedSpool^{MD} auprès de votre distributeur agréé.

NETTOYAGE

Nettoyez l'extérieur de l'appareil à l'aide d'une petite brosse. N'utilisez pas de détergents concentrés. Les nettoyants ménagers contenant des huiles aromatiques tel que le pin et le citron, et les solvants tel que le kérosène peuvent endommager le boîtier ou la poignée en plastique. Essuyez toute trace d'humidité à l'aide d'un tissu doux.

ENTREPOSAGE

- Vérifiez l'appareil avant de le ranger pour vous assurer qu'il est en bon état de fonctionnement.
- Arrêtez le moteur.
- Rangez l'appareil à l'intérieur, dans un lieu sec et verrouillé, hors de portée des enfants.
- Conservez les étiquettes de sécurité et d'utilisation ou remplacez-les au besoin.

Pour les unités à tête d'entraînement à essence

- Laissez l'appareil refroidir avant de l'entreposer dans une enceinte.
- Vidangez tout le carburant de l'appareil. Ne rangez jamais l'appareil avec du carburant dans le réservoir à l'intérieur d'un bâtiment où se trouvent des sources potentielles d'allumage tels que des radiateurs à eau chaude ou indépendants, des sècheuses, etc.

TRANSPORT

- Laissez le moteur refroidir avant de l'entreposer.
- Attachez bien l'appareil lors du transport.

Pour les unités à tête d'entraînement à essence

- Videz tout le carburant de l'appareil.
- Serrez le bouchon du réservoir avant le transport.

DÉPANNAGE

LA TÊTE DE COUPE NE FAIT PAS AVANCER LE FIL

CAUSE

Accessoire de coupe engorgé d'herbes

Tête de coupe sans fil

Moulinet intérieur bloqué

Tête de coupe sale

Fil soudé

Fil tordu durant la recharge

Quantité de fil exposée insuffisante

SOLUTION

Arrêtez et débranchez l'appareil et nettoyez l'accessoire de coupe

Chargez du fil neuf

Remplacez le moulinet

Nettoyez le moulinet intérieur et la bobine extérieure

Démontez et déposez la partie soudée, et rembobinez le fil

Démontez puis rembobinez le fil

Enfoncez le bouton de butée (Bump Head) et tirez le fil jusqu'à en extraire 102 mm (4 po) à l'extérieur de l'accessoire de coupe

LE FIL DE COUPE AVANCE DE MANIÈRE INCONTRÔLÉE

CAUSE

Présence d'huile dans la tête de coupe

SOLUTION

Nettoyez l'accessoire de coupe

Si vous avez besoin d'aide, contactez votre distributeur agréé.

CARACTÉRISTIQUES

ACCESSOIRE DE DÉSHERBEUSE À ARBRE DROIT

Poids de l'appareil	1,36 kg (3 lb)
Mécanisme de coupe	Tête de coupe à deux fils SpeedSpool ^{MD}
Bobine de fil	Déclencheur de fil à butée
Diamètre de la bobine de fil	76,2 mm (3 po)
Diamètre du fil	2,03 mm (0,080 po)
Diamètre du chemin de coupe	43,18 cm (17 po)

REMARQUE

REMARQUE

GARANTIE LIMITÉE DU FABRICANT POUR:



La garantie limitée énoncée ci-après est accordée par Troy-Bilt LLC (« Troy-Bilt ») et concerne les marchandises neuves achetées et utilisées aux États-Unis, ainsi que dans leurs possessions et territoires.

Troy-Bilt garantit ce produit contre tout vice de matière ou de façon pendant une période de deux (2) ans à compter de la date d'achat initiale et elle se réserve le choix de réparer ou de remplacer, à titre gratuit, toute pièce présentant un vice de matière ou de façon. Cette garantie limitée ne s'appliquera que dans la mesure où le produit aura été utilisé et entretenu conformément au Guide de l'utilisateur fourni avec le produit et n'aura pas fait l'objet d'un usage inadéquat, abusif, commercial ou négligent, d'un accident, d'un entretien inadéquat, d'une modification, de vandalisme, d'un vol, d'un incendie, de dégâts d'eau ou d'un endommagement résultant d'un autre péril ou d'un désastre naturel. Les dommages résultants de l'installation ou de l'utilisation de tout accessoire ou équipement non approuvé par Troy-Bilt pour une utilisation avec le(s) produit(s) couvert(s) par le présent guide annuleront la garantie et ce qui concerne les dommages qui en résulteraient éventuellement. La présente garantie est limitée à quatre-vingt-dix (90) jours à compter de la date d'achat au détail initiale pour tout produit Troy-Bilt utilisé à des fins locatives ou commerciales, ou toute utilisation produisant des revenus.

POUR L'ENTRETIEN-DÉPANNAGE : L'Entretien-dépannage au titre de la garantie est disponible, SUR PRÉSENTATION DE PREUVE D'ACHAT, AUPRÈS DU DISTRIBUTEUR AGRÉÉ LOCAL. Pour obtenir le nom du distributeur agréé local, consulter les Pages Jaunes ou se mettre en rapport avec le Service après-vente de Troy-Bilt en appelant le **1-800-520-5520** ou en écrivant au P.O. Box 361131, Cleveland OH 44136-0019 ou en appelant le **1-800-668-1238** au Canada. Aucun produit retourné à l'usine sans permission écrite préalable du service après-vente de Troy-Bilt ne sera accepté.

La garantie limitée n'offre aucune couverture dans les cas suivants :

- A. Mises au point – Bougies, réglages de carburateur, filtres.
- B. Articles d'usure – Bouton de butée, bobines extérieures, fil de coupe, bobines intérieures, poulie de démarrage, cordes de démarrage, courroies d'entraînement.
- C. Troy-Bilt n'accorde aucune garantie pour les produits vendus ou exportés des États-Unis, de leurs possessions et territoires, exception faite en ce qui concerne les produits vendus par l'intermédiaire de ses canaux agréés de distribution à l'exportation.

Troy-Bilt se réserve le droit de modifier ou d'améliorer la conception de tout produit Troy-Bilt sans assumer l'obligation de modifier tout produit d'une fabrication plus ancienne.

Aucune garantie implicite, y compris toute garantie de valeur marchande ou d'adaptation à une fin particulière, ne s'applique après la période applicable de garantie expresse écrite ci-dessus concernant les pièces qui sont identifiées. Aucune autre garantie ou caution expresse, écrite ou orale, à l'exception de celle mentionnée ci-dessus, accordée par toute personne ou entité, y compris tout distributeur ou détaillant, concernant tout produit n'engagera la responsabilité de Troy-Bilt. Pendant la période de garantie, le remède exclusif est la réparation ou le remplacement du produit dans les conditions énoncées ci-dessus. (Certains états ne permettent pas la limitation de la garantie implicite, il est donc possible que la limitation ci-dessus ne s'applique pas à vous.)

Les clauses énoncées dans la présente Garantie constituent le recours unique et exclusif inhérent aux ventes. Troy-Bilt ne sera en aucun cas tenue pour responsable de tout dommage indirect ou consécutif ou de dommages comprenant, entre autres mais pas seulement, les dépenses encourues du fait du recours à des services de remplacement ou de substitution pour l'entretien des pelouses, le transport ou des frais connexes, ou les frais entraînés par une location destinée à remplacer provisoirement un produit sous garantie. (Certains états ne permettent pas la limitation de la garantie implicite, il est donc possible que la limitation ci-dessus ne s'applique pas à vous.)

Aucun recouvrement, quel qu'il soit, ne sera d'un montant supérieur au prix du produit vendu. Toute modification des dispositifs de sécurité du produit annulera la présente Garantie. Vous assumez tout risque et toute responsabilité résultant de la perte, de l'endommagement ou du préjudice que vous et votre propriété et/ou d'autres et leur propriété pourront encourir du fait de l'utilisation normale, de la mauvaise utilisation ou de l'empêchement d'utiliser le produit.

La présente garantie limitée n'est accordée qu'à l'acheteur initial, au preneur initial ou à la personne à laquelle le produit a été offert.

Le Droit des États vis à vis de la présente garantie : la présente garantie vous confère certains droits juridiques, et vous pouvez bénéficier d'autres droits, lesquels varient d'une juridiction à l'autre.

Pour obtenir l'adresse du distributeur agréé le plus proche, composer le : **1-800-345-8746** aux États-Unis ou le **1-800-668-1238** au Canada.

Troy-Bilt LLC

P.O. Box 361131
Cleveland, OH 44136-0019



Manual Del Operador



Recortador de eje recto TBSS



IMPORTANTE: LEA LAS REGLAS DE SEGURIDAD E INSTRUCCIONES DETENIDAMENTE

P/N 769-02489

(7/06)

INTRODUCCION

MUCHAS GRACIAS

Gracias por haber adquirido este gran producto. Esta moderna herramienta motriz de exteriores está diseñada para brindarle muchas horas de servicio útil. Usted comprobará que es un artefacto que le ahorrará mucho trabajo. Este manual del operador le brinda instrucciones de operación de fácil comprensión. Lea todo el manual y siga todas las instrucciones para mantener su nueva herramienta motriz de exteriores en las mejores condiciones de funcionamiento.

REFERENCIAS, ILUSTRACIONES Y ESPECIFICACIONES DEL PRODUCTO

Toda la información, las ilustraciones y las especificaciones contenidas en este manual se basan en la información más reciente disponible en el momento de impresión del manual. Nos reservamos el derecho de hacer cambios en cualquier momento sin aviso previo.

Copyright© 2002 MTD SOUTHWEST INC
Todos los derechos reservados.

Troy-Bilt® es una marca registradas de
MTD SOUTHWEST INC

SpeedSpool® es una marca registradas de
MTD SOUTHWEST INC

INFORMACIÓN SOBRE SERVICIOS

Llame **1-800-345-8746** en EE.UU. o al **1-800-668-1238** en Canada para obtener una lista de distribuidores de servicio localizados cerca de usted. Para obtener más detalles sobre su unidad, visite nuestro sitio en www.troybilt.com.

NO REGRESE SU UNIDAD AL VENDEDOR. PARA SOLICITAR SERVICIO POR LA GARANTIA, DEBERA PRESENTAR PRUEBA DE SU COMPRA.

ESTE PRODUCTO ESTA CUBIERTO POR UNA O MAS PATENTES DE EE.UU., OTRAS PATENTES EN TRAMITE.

El servicio de esta unidad, ya sea durante o después del período cubierto por la garantía, debe ser realizado solamente por un proveedor de servicios autorizado y aprobado.

¡ADVERTENCIA!

Lea el manual del operador y siga todas las advertencias e instrucciones de seguridad. De no hacerlo, el operador y/o los espectadores pueden sufrir graves lesiones.

INDICE DE CONTENIDOS

I. Normas para una operación segura	E3-E6
A. Importante información de seguridad	E3-E4
B. Símbolos de seguridad e internacionales	E5
C. Conozca su unidad	E6
II. Instrucciones de operación	E7-E9
A. Ensamblaje del acoplador	E7
B. Cómo sostener el recortador	E8
C. Ajuste de la longitud de la línea de corte	E8
D. Consejos para lograr un mejor corte	E8
E. Recorte decorativo	E9
III. Instrucciones de mantenimiento y reparación	E10-E12
A. Instalación de la línea para la SpeedSpool®	E10
B. Instalación de un carrete prebobinado	E11
C. Limpieza de la SpeedSpool®	E12
D. Piezas de repuesto de la SpeedSpool®	E12
E. Limpieza	E12
F. Almacenamiento	E12
G. Transporte	E12
IV. Cuadro de resolución de problemas	E13
V. Especificaciones	E14
VI. Garantía	E16

CONTENIDO DE LA CAJA

Esta unidad debe consistir en lo siguiente:

- Accesorio recortador de eje recto TBSS
- Suspensor
- Manual del operador
- Tarjeta de registro del producto

NOTA: Este producto ha sido evaluado para uso tanto con cabezales a gasolina como eléctricos.

NORMAS PARA UNA OPERACION SEGURA

Los símbolos de seguridad se utilizan para llamar su atención sobre posibles peligros. Los símbolos de seguridad y sus explicaciones merecen toda su atención y comprensión. Los símbolos de seguridad no eliminan ningún peligro por sí mismos. Las instrucciones o advertencias que ofrecen no substituyen las medidas adecuadas de prevención de accidentes.

SIMBOLO SIGNIFICADO



SIMBOLO DE ALERTA DE SEGURIDAD: Indica peligro, advertencia o precaución. Debe prestar atención para evitar sufrir graves lesiones personales. Puede ser utilizado junto con otros símbolos o figuras.

NOTA: Le ofrece información o instrucciones que son esenciales para la operación o mantenimiento del equipo.



PELIGRO: El no obedecer una advertencia de seguridad puede conducir a que usted u otras personas sufran graves lesiones. Siga siempre las precauciones de seguridad para reducir el riesgo de incendio, descarga eléctrica y lesiones personales.



ADVERTENCIA: El no seguir una advertencia de seguridad puede conducir a que usted u otras personas sufran lesiones. Siga siempre las precauciones de seguridad para reducir el riesgo de incendio, descarga eléctrica y lesiones personales.



PRECAUCION: El no seguir una advertencia de seguridad puede conducir a daño patrimonial o a que usted u otras personas sufran lesiones personales. Siga siempre las precauciones de seguridad para reducir el riesgo de incendio, descarga eléctrica y lesiones personales.

• IMPORTANTE INFORMACION DE SEGURIDAD •

LEA TODAS LAS INSTRUCCIONES



ADVERTENCIA: Se deben seguir las siguientes reglas de seguridad cuando use la unidad. Por favor lea estas instrucciones para su propia seguridad y las de los espectadores, antes de hacer funcionar la unidad. Por favor mantenga estas instrucciones en un lugar seguro para uso futuro.

ANTES DE LA OPERACIÓN

- Lea cuidadosamente y entienda el manual del operador de la unidad que impulsa a este acople.
- Lea este manual de instrucciones de funcionamiento detenidamente. Familiarícese completamente con los controles y el uso apropiado del equipo. Sepa cómo apagar la unidad y desactivar los controles con rapidez.
- No opere esta unidad si está cansado, enfermo, o bajo los efectos del alcohol, drogas o medicamentos.
- Nunca permita que los niños manejen el equipo. Nunca permita que los adultos usen la unidad cuando no estén familiarizados con las instrucciones. Nunca permita que las personas adultas manejen el equipo si no cuentan con las instrucciones apropiadas.
- Se debe instalar adecuadamente todos los protectores y dispositivos de seguridad antes de hacer funcionar la unidad.
- Inspeccione la unidad antes de usarla.
- Despeje el área antes de cada uso. Quite todos los objetos tales como piedras, vidrios quebrados, clavos, alambre o cuerdas que puedan ser lanzados o que se puedan enredar en el aditamento.
- Use solamente línea de reemplazo de 2,03 mm (0,080 pulgadas) de diámetro de Genuine Factory Parts™. Nunca use línea reforzada con metal, alambre o cuerda, etc. Estos pueden partirse y convertirse en un proyectil peligroso.
- Esta unidad no fue diseñada para ser usada como cortamalezas. No conecte ni opere esta unidad con ningún tipo de cuchilla ni accesorio para cortar malezas.

ADVERTENCIAS DE SEGURIDAD ESPECIALES PARA LAS UNIDADES MOTRICES Y RECORTADORES DE BORDES A GAS



ADVERTENCIA: La gasolina es muy inflamable, y sus gases pueden explotar si se encienden. Tome las siguientes precauciones:

- Guarde el combustible únicamente en recipientes designados especialmente y aprobados para el almacenamiento de dichos materiales.
- Apague siempre el motor y espere que se enfríe antes de cargar el tanque de combustible. Nunca saque la tapa del tanque de combustible ni cargue combustible mientras la unidad esté caliente. No opere nunca esta unidad sin la tapa del combustible bien ajustada en su lugar. Afloje la tapa del tanque de combustible lentamente para desahogar la presión del tanque.
- Mezcle y cargue el combustible en un área limpia, bien ventilada en exteriores donde no haya chispas ni llamas. Saque lentamente la tapa del combustible sólo después de parar el motor. No fume mientras carga o mezcle el combustible. Seque todo el combustible que se derrame de la unidad de inmediato.
- Evite crear una fuente de encendido con el combustible derramado. No arranque el motor hasta que los gases se hayan disipado.
- Mueva la unidad a por lo menos 30 pies (9.1 m) de distancia de la fuente y sitio de carga de combustible antes de arrancar el motor. No fume, mantenga las chispas y llamas fuera del área mientras carga el combustible o mientras opera la unidad.
- Nunca arranque ni opere la unidad dentro de una sala o edificio cerrado. La respiración de los gases del escape pueden ser letales. Opere esta unidad únicamente en un área exterior bien ventilada.

ADVERTENCIAS DE SEGURIDAD ESPECIALES PARA LAS UNIDADES MOTRICES Y RECORTADORES DE EJE RECTO DE CESPED ELECTRICOS

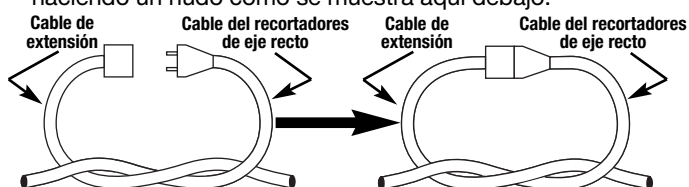


ADVERTENCIA: Para reducir el riesgo de descarga eléctrica, use sólo cables de extensión aprobados para uso en exteriores, como un cable de extensión con cable tipo SW-A, SOW-A, STW-A, STOW-A, SJW-A, SJOW-A, SJTW-W o SJTOW-A. Puede adquirir cables de extensión en su distribuidor local. Use sólo cables de extensión de camisa cilíndrica aprobados para su uso al exterior.

NORMAS PARA UNA OPERACION SEGURA

- **JUEGOS DE CABLES:** Verifique que su juego de cable esté en buenas condiciones. Cuando use un juego de cables, verifique que el cable que usa es lo suficientemente pesado como para conducir la corriente que su unidad consumirá. Un juego de cables de menor peso puede causar una caída de voltaje en la línea y llevar a una pérdida de energía y recalentamiento. Lea el manual del operador de la unidad motriz de este accesorio para informarse acerca del tamaño recomendado de cable.
- Inspeccione todos los cables de extensión y la conexión eléctrica de la unidad con frecuencia. Observe en detalle si existe deterioro, cortes o grietas en el aislamiento. Inspeccione también si existen daños en las conexiones. Cambie los cables si encuentra algún defecto o daño.

- Evite la desconexión del cabezal motorizado de recortadores de eje recto del cable de extensión durante el funcionamiento, utilizando un retenedor de enchufe-receptáculo, conector o haciendo un nudo como se muestra aquí debajo:



- Evite los ambientes peligrosos. No opere nunca su unidad en ambientes húmedos ni mojados. La humedad representa un peligro de descarga eléctrica.
- No use la unidad bajo la lluvia. No lo use dentro del agua ni alrededor de ella.
- No toque el enchufe ni la unidad con las manos mojadas ni parado sobre superficies mojadas.
- No deje la unidad enchufada mientras no la use, mientras cambia accesorios ni mientras realiza el servicio.

DURANTE LA OPERACION

- Mantenga retirados a los espectadores, especialmente a los niños y animales domésticos por lo menos a 50 ft (15 m) de distancia.
- Use lentes o gafas de protección que cumplan con las normas ANSI Z87.1, y protección para sus oídos/audición mientras opere esta unidad. Use siempre una máscara facial o para protegerse contra el polvo si la operación levanta polvo.
- Use pantalones largos y gruesos, botas, guantes y camisa de manga larga. No use ropa holgada, alhajas, pantalones cortos, sandalias ni esté descalzo. Sostenga el cabello sobre el nivel de los hombros.
- Use la unidad sólo con luz de día o con buena luz artificial.
- Use la herramienta correcta. Use esta herramienta sólo para el trabajo para el que fue diseñada.
- No fuerce la unidad. Hará mejor el trabajo y con menos probabilidad de lesión bajo la tasa de funcionamiento que fue diseñada.
- No se estire demasiado, tenga cuidado adicional cuando trabaje en pendientes o inclinaciones. Mantenga siempre una posición y equilibrio adecuados.
- Sostenga siempre la unidad con ambas manos durante la operación. Agarre firmemente ambas manijas o mangos anteriores y posteriores.

- Mantenga las manos, cara y pies lejos de todas las piezas que se muevan. No toque ni intente detener el accesorio de corte cuando esté girando. No la haga funcionar sin los protectores puestos en su lugar.
- No opere la unidad a una velocidad mayor que la necesaria para hacer el trabajo. No opere la unidad a alta velocidad cuando no la esté usando.
- Pare siempre la unidad cuando posponga el trabajo o mientras camine entre diferentes zonas de corte.
- Si golpea o se enreda con algún objeto extraño, pare el motor de inmediato e inspeccione si hay daños. Haga arreglar cualquier daño antes de intentar el funcionamiento posterior.
- Pare la unidad DE INMEDIATO si siente una vibración excesiva. La vibración es señal de que hay problemas. Inspeccione bien si hay tuercas o pernos flojos o daño antes de continuar. Repare o cambie las piezas afectadas según sea necesario.
- Pare y apague la unidad para hacerle mantenimiento, arreglos o para cambiarle aditamentos o accesorios. Debe detener la unidad y el impulsor debe dejar de voltear para que evite lesiones.
- Use solo piezas y accesorios de repuesto Genuine Factory Parts™ para esta unidad. Puede obtenerlos en su distribuidor autorizado. El uso de piezas o accesorios no autorizados pudiera causar graves lesiones al usuario o dañar la unidad y anular la garantía.

MANTENIMIENTO Y ALMACENAJE

- Espere que el motor se enfríe antes de guardar o transportar la unidad. Asegúrese de que la unidad esté segura al transportarla.
- Guarde la unidad bajo llave en un lugar adecuado y seco para evitar el uso por personas no autorizadas y daños, lejos del alcance de los niños.
- Nunca moje ni rocíe la unidad con agua ni con ningún otro líquido. Mantenga las manijas secas, limpias y sin residuos. Limpie la unidad y los marbetes con una esponja mojada. Limpie la unidad después de cada uso.
- Guarde estas instrucciones. Consúltelas con frecuencia y utilícelas para enseñar a otros usuarios. Si le presta esta unidad a alguien, préstele también estas instrucciones.
- Cualquier reparación o procedimientos de mantenimiento que no estén descritos en este manual deben ser hechos únicamente por personal calificado.
- Compruebe frecuentemente el apriete de los pernos de la cizalla, de montaje del motor y otros pernos para que tenga la seguridad de que el equipo esté en buen estado de funcionamiento.
- Cuando guarde la unidad dentro de un edificio, aléjela de fuentes de encendido. Permita que el motor se enfríe antes de guardarla en cualquier caja protectora.
- Consulte las instrucciones del Manual del Operario en todo momento para que se informe sobre detalles importantes, si va a guardar la unidad durante un período de tiempo prolongado.
- No intente arreglar la máquina a menos que tenga las herramientas apropiadas y las instrucciones para desensamblarla y arreglarla.

GUARDE ESTAS INSTRUCCIONES

NORMAS PARA UNA OPERACION SEGURA

SIMBOLOS DE SEGURIDAD E INTERNACIONALES

Este manual del operador describe los símbolos y figuras de seguridad e internacionales que pueden aparecer en este producto. Lea el manual del operador para obtener información completa acerca de la seguridad, ensamble, operación y mantenimiento y reparación.

SIMBOLO

SIGNIFICADO



• SIMBOLO DE ALERTA DE SEGURIDAD

Indica peligro, advertencia o precaución. Puede ser utilizado junto con otros símbolos o figuras.



• ADVERTENCIA - LEA EL MANUAL DEL OPERADOR

Lea el manual del operador y siga todas las advertencias e instrucciones de seguridad. De no hacerlo, el operador y/o los espectadores pueden sufrir graves lesiones.



• USE PROTECCIÓN OCULAR Y AUDITIVA

ADVERTENCIA: La operación de cualquier herramienta electromecánica puede ser el origen del lanzamiento de objetos y ruidos elevados que pueden causar lesiones oculares severas y pérdida auditiva. Use siempre gafas de seguridad o protección visual que cumpla con las normas ANSI Z87.1 y protección auditiva, cuando maneje esta unidad. Use una careta completa cuando la necesite.



• MANTENGA ALEJADOS A LOS ESPECTADORES

ADVERTENCIA: Mantenga a todos los espectadores, en especial a niños y animales domésticos a por lo menos 50 pies (15 m) del área de corte.



• LOS OBJETOS DESPEDIDOS Y LA CUCHILLA ROTATIVA PUEDEN CAUSAR GRAVES LESIONES

ADVERTENCIA: No opere esta unidad si la protección plástica de línea no está colocada en su lugar. Manténgase alejado del accesorio de corte giratorio.



• CUCHILLA AFILADA

ADVERTENCIA: La protección del accesorio de corte contiene una cuchilla afilada. Para prevenir graves lesiones, no toque la cuchilla.

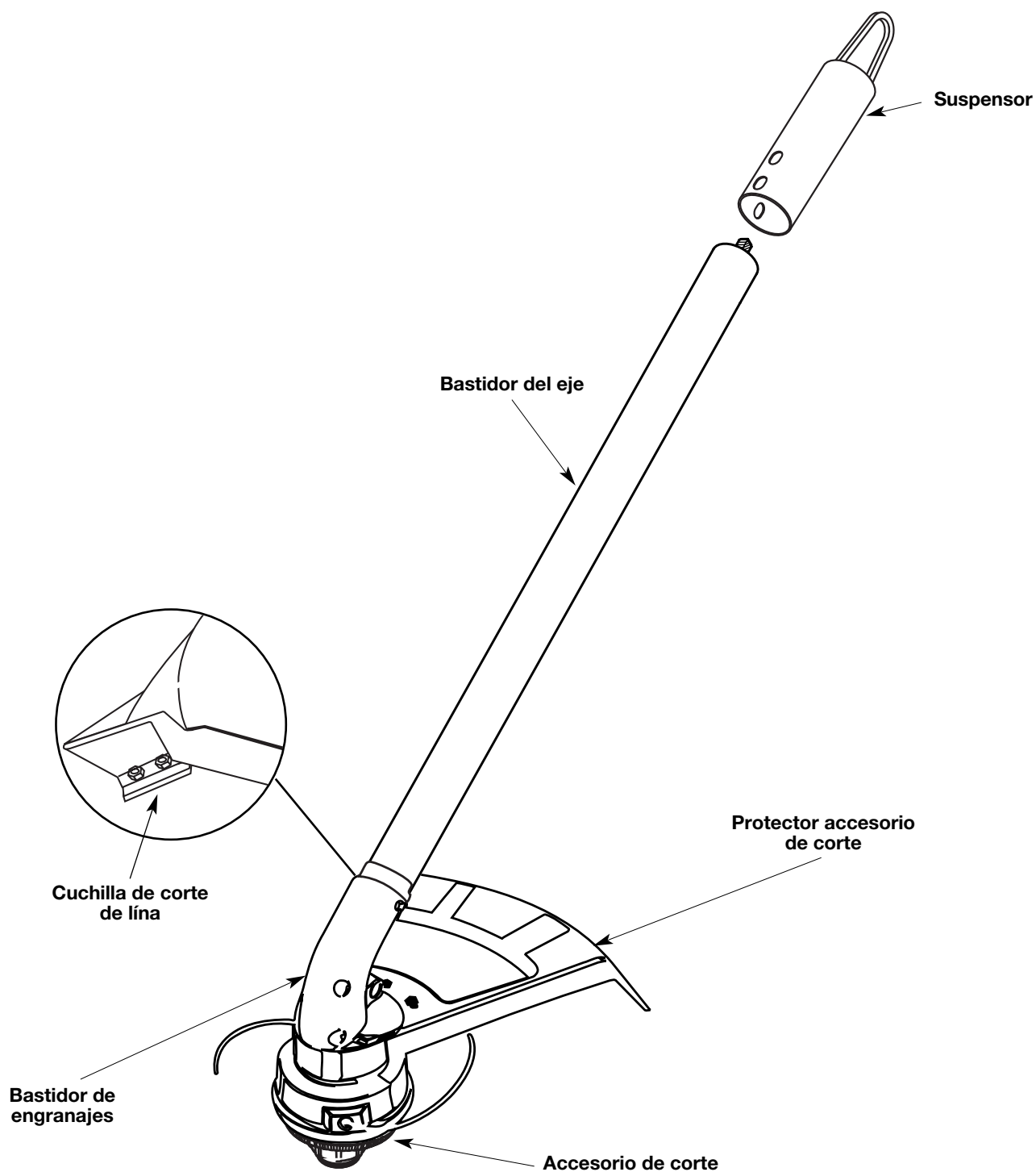
NORMAS PARA UNA OPERACION SEGURA

CONOZCA SU UNIDAD

APLICACIONES

Con aditamento para recortador de eje:

- Corte de césped y malezas delgadas.
- Recorte decorativo alrededor de árboles, cercos, etc.



INSTRUCCIONES DE OPERACIÓN

ENSAMBLAJE DEL ACOPLADOR

Los siguientes accesorios Troy-Bilt también están disponibles para su unidad:

Soplador/Aspirador	TBBV
Cultivador	TBGC
Recortador de setos	TBHS
Recortador de bordes	TBLE
Soplador de nieve	TBST
Turbosoplador	TBTB
Podador de árboles	TBTP

Remoción del accesorio

	ADVERTENCIA: Lea y comprenda el manual del operador de los accesorios antes de su operación.
--	---

1. Para aflojarlo, gire el botón en el sentido opuesto al de las manecillas del reloj (Fig. 1).
2. Oprima y sostenga oprimido el botón de liberación (Fig. 1).
3. Mientras sostiene el bastidor del eje superior con firmeza, tire del accesorio en línea recta fuera del acoplador (Fig. 2).

Instalación del accesorio

	ADVERTENCIA: Para evitar graves lesiones personales, apague la unidad antes de sacar o instalar accesorios.
--	--

NOTA: Para facilitar la instalación o remoción de los accesorios, coloque la unidad sobre el suelo o sobre un banco de trabajo.

1. Quite el colgador de encima de la cubierta del eje.
2. Apriete el botón girándolo hacia la derecha (Fig. 1).
3. Mientras sostiene el accesorio con firmeza, empújelo en línea recta en el acoplador (Fig. 2).

NOTA: La alineación del botón de desconexión con la guía ayuda en la instalación (Fig. 1).

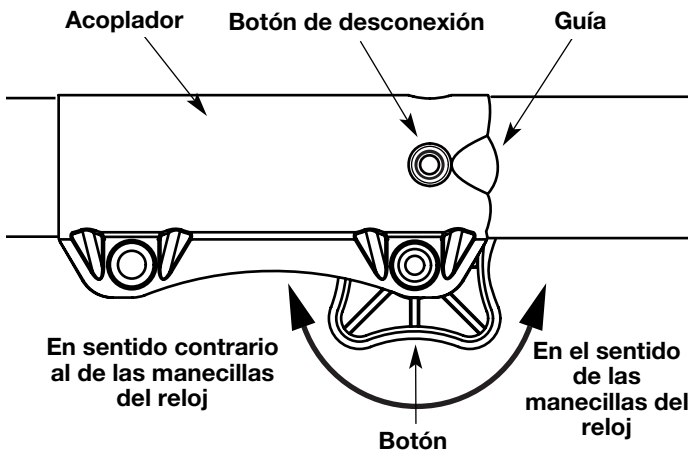


Fig. 1

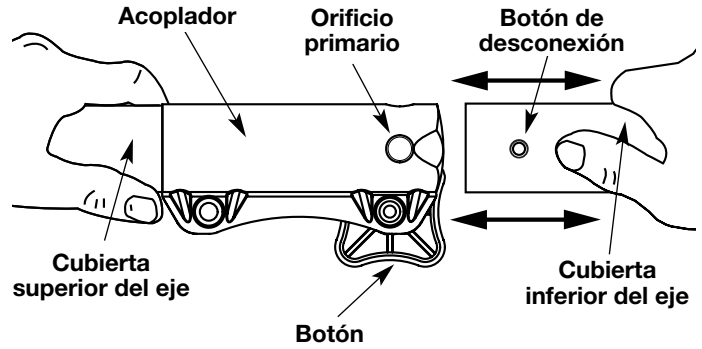


Fig. 2

3. Apriete el botón girándolo hacia la derecha (Fig. 3).

	PRECAUCIÓN: Trabe el botón de desconexión en el orificio primario y ajuste bien la perilla antes de operar esta unidad.
--	--

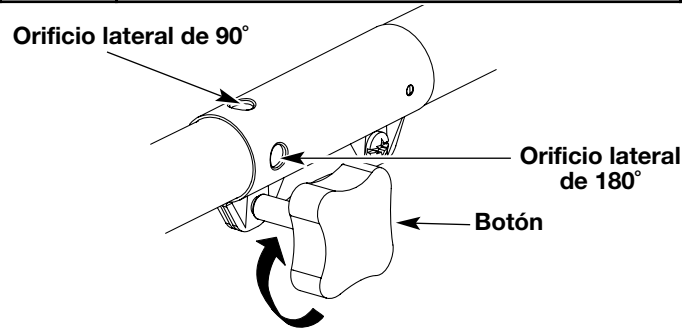


Fig. 3

	PRECAUCIÓN: Los aditamentos junto con el sistema de acople son para usarlos únicamente en el orificio primario a menos que sea indicado de otro modo en las especificaciones del aditamento en el manual del operador. El uso del orificio equivocado puede causarles lesiones personales a usted o daños a la unidad.
--	---

Cuando use el aditamento del recortador de eje recto, trabe el botón del accesorio de corte dentro del **orificio lateral de 90°** o del **orificio lateral de 180°** (Fig. 3).

Inspeccione el acoplamiento del eje acodado antes de usar la unidad

1. Arranque la unidad.
2. Enganche y suelte el gatillo brevemente.
3. Verifique que el accesorio esté funcionando.
4. Si el accesorio no está funcionando, retire el accesorio y repita los pasos para su instalación.
5. Vuelva a verificar el funcionamiento del accesorio.

INSTRUCCIONES DE OPERACIÓN

COMO SOSTENER EL RECORTADOR



ADVERTENCIA: Use siempre protección para sus ojos, audición, pies y cuerpo para reducir el riesgo de una lesión al operar esta unidad.

Antes de operar esta unidad, párese en posición de operación (Figs. 4 y 5). Verifique lo siguiente:

- El operador tiene protección ocular y ropa adecuada.
- El brazo derecho está levemente doblado, y la mano está sosteniendo el mango del eje.
- El brazo izquierdo está recto y la mano sostiene la manija en D o la manija en J.
- La unidad está debajo del nivel de la cintura.
- El accesorio de corte está paralelo al suelo y hace fácil contacto con la vegetación que va a ser cortada sin que el operador tenga que inclinarse.



Fig. 4



Fig. 5

AJUSTE DE LA LONGITUD DE LA LINEA DE CORTE

El accesorio de corte Bump Head™ le permite soltar línea de corte sin apagar el motor. Para soltar más línea, golpee suavemente el accesorio de corte contra el suelo (Fig. 6) mientras opera el recortador a alta velocidad.

NOTA: Mantenga siempre la línea de corte completamente extendida. Es más difícil soltar línea al acortarse la línea de corte.

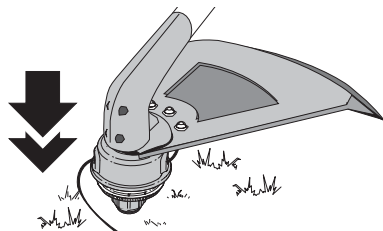


Fig. 6

Cada vez que se golpea la cabeza, se suelta alrededor de 1 pulgada (25.4 mm.) de línea de corte. La cuchilla en la protección del accesorio de corte detendrá la línea en la longitud correcta si se suelta demasiada línea.

Para obtener mejores resultados, golpee la Bump Head™ sobre terreno limpio o tierra dura. Si intenta soltar la línea sobre el césped alto, el motor podrá ahogarse. Mantenga siempre la línea de corte completamente extendida. Es más difícil soltar línea al acortarse la línea de corte.

NOTA: No apoye la Bump Head™ sobre el suelo.

La línea puede cortarse por:

- Enredarse con un objeto extraño
- Fatiga normal de la línea
- Intentar cortar hierbas gruesas y leñosas
- Forzar la línea en objetos como paredes o postes de cercos.

CONSEJOS PARA OBTENER MEJORES RESULTADOS AL RECORTAR

- Para obtener mejores resultados, opere la unidad a la aceleración máxima.
- El ángulo correcto para ubicar el accesorio de corte es paralelo al suelo.
- No fuerce el accesorio de corte. Permita que la punta de la línea realice el corte (en especial a lo largo de paredes). Si corta con más de la punta reducirá la eficacia del corte y puede sobrecargar el motor.
- Corte césped de más de 8 pulgadas (200 mm.) trabajando de arriba hacia abajo en pequeños incrementos para evitar el desgaste prematuro de la línea y el arrastre del motor.
- Corte de derecha a izquierda siempre que sea posible. Cortar hacia la izquierda mejora la eficiencia de la unidad. Los recortes salen arrojados en sentido contrario al operador.
- Mueva lentamente el recortador dentro y fuera del área de corte a la altura deseada. Realice movimientos ya sea de adelante hacia atrás y viceversa, o de lado a lado. El corte en longitudes más cortas produce mejores resultados.
- Recorte únicamente cuando el pasto y las hierbas estén secas.
- La vida de su línea de corte depende de:
 - Seguir todas las técnicas de corte indicadas anteriormente
 - El tipo de vegetación que corte
 - El lugar donde se corta

Por ejemplo, la línea se desgastará más rápido cuando corte contra un muro que cuando corte alrededor de un árbol.

RECORTE DECORATIVO

El recorte decorativo se realiza eliminando toda la vegetación de alrededor de los árboles, postes, cercos, etc.

Gire toda la unidad a modo de que el accesorio de corte se ubique a un ángulo de 30° con el suelo (Fig 7).

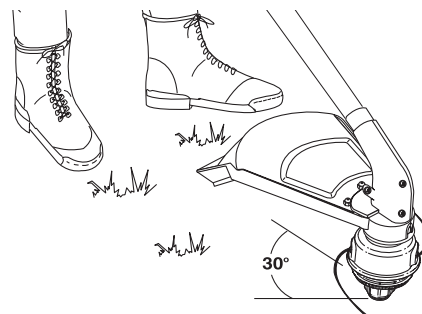


Fig. 7

INSTRUCCIONES DE MANTENIMIENTO Y REPARACION

INSTALACIÓN DE LA LÍNEA PARA EL SPEEDSPOOL®

Use siempre línea de reemplazo de 2,03 mm (0,080 pulgadas) de Genuine Factory Parts™. Una línea diferente a la especificada pudiera recalentar el motor o hacer que falle.



ADVERTENCIA: No use nunca línea reforzada con metal, alambre, cadena ni soga, etc. Estos elementos pueden desprenderse y convertirse en un proyectil peligroso.

Existen dos métodos para cambiar la línea de corte SpeedSpool®.

- Bobinar el carrete interior con línea nueva
- Instalar un carrete prebobinado

Bobinado del carrete interior con línea nueva

NOTA: No hace falta quitar la perilla percusiva para instalar línea de corte nueva.

1. Corte dos piezas de 0.080 pulgadas (2.03 mm.) de línea de corte, de 10 pies de largo (3 m.) .



ADVERTENCIA: Use siempre la longitud de línea correcta al instalar línea de corte en la unidad. La línea puede no soltarse correctamente si es demasiado larga.

2. Sostenga la bobina exterior y de vuelta al carrete interior en sentido contrario al de las manecillas del reloj para alinear las flechas de la bobina exterior y el carrete interior (Fig. 8).
3. Saque la línea vieja por los orificios de carga y de cierre de línea (Figs. 9 y 10).
4. Inserte una pieza de línea de corte dentro de uno de los ojillos de la bobina exterior. Páselo hacia arriba a través del orificio de carga del carrete interior (Fig. 9). No doble la línea al insertarla en el ojillo.

Vista superior del SpeedSpool®

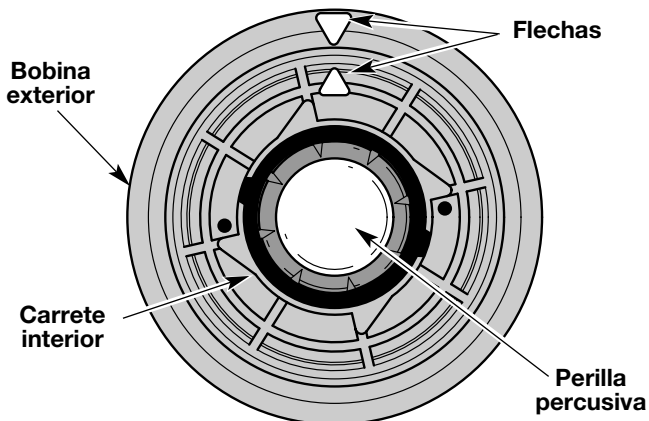


Fig. 8

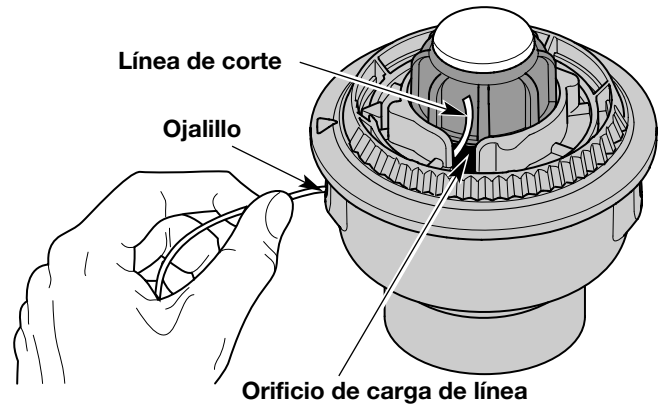


Fig. 9

5. Inserte la línea en el orificio de cierre (Fig. 10). No empuje la línea más de 1/2 pulgada (12.7 mm.) dentro del orificio de cierre. Cuando la línea está bien insertada, formará un bucle pequeño (Fig. 10).

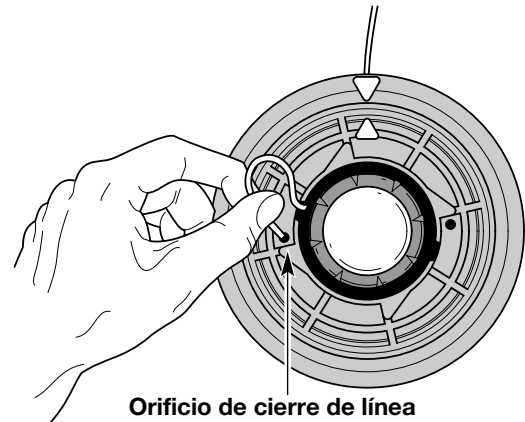


Fig. 10

6. Saque la línea de la bobina exterior hasta que esté tirante contra el carrete interior (Fig. 11).

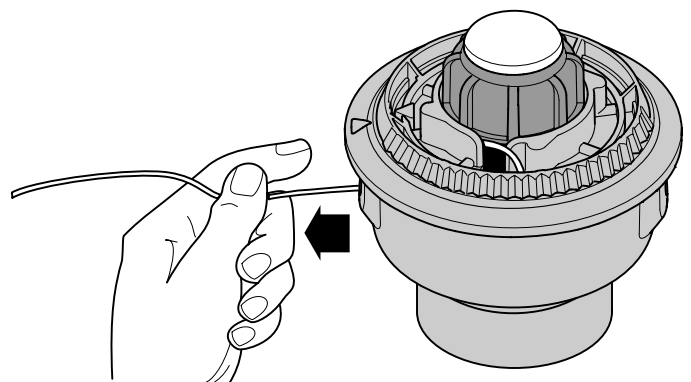


Fig. 11

INSTRUCCIONES DE MANTENIMIENTO Y REPARACION

- Repita los pasos 4 a 6 con la segunda pieza de línea.
- Sostenga la bobina exterior. Bobine el carrete interior en sentido antihorario hasta que queden alrededor de cuatro (4) pulgadas (102 mm.) de línea (Fig. 12).

NOTA: No bobine el carrete interior antes de instalar la segunda pieza de línea.

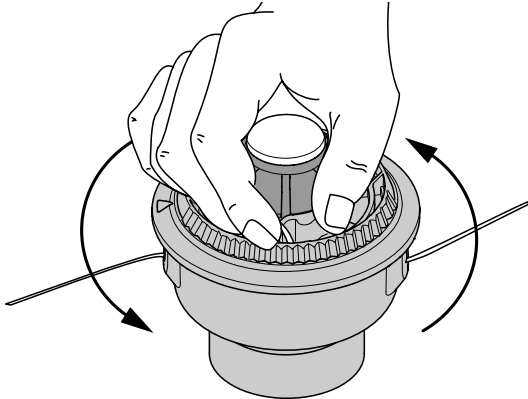


Fig. 12

- Si el bobinado de la línea se torna dificultoso o la línea se enreda, tire de los extremos de la línea de la bobina. Continúe bobinando el carrete interior en sentido antihorario (Fig. 13).

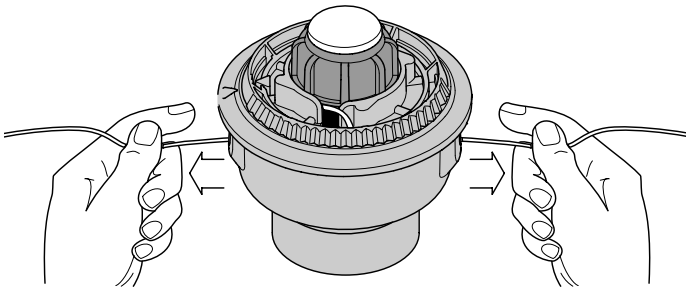


Fig. 13

Instalación de un carrete interior prebobinado

- Saque la perilla percusiva, el resorte y el sello de espuma girando la perilla percusiva en sentido antihorario (Fig. 14).

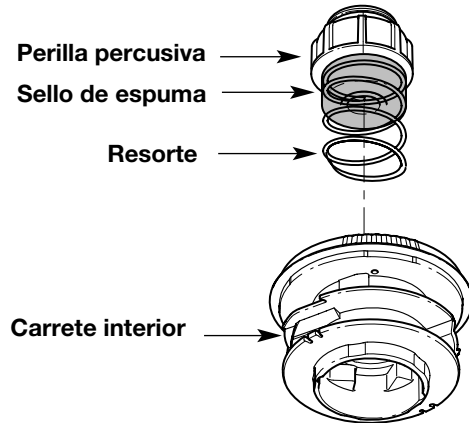


Fig. 14

- Saque el carrete interior viejo con la línea existente fuera de la bobina exterior.
- Inserte los extremos de la línea de corte del nuevo carrete interior dentro de los ojillos de la bobina exterior (Fig. 15). Coloque el nuevo carrete interior con la flecha hacia arriba dentro de la bobina exterior.

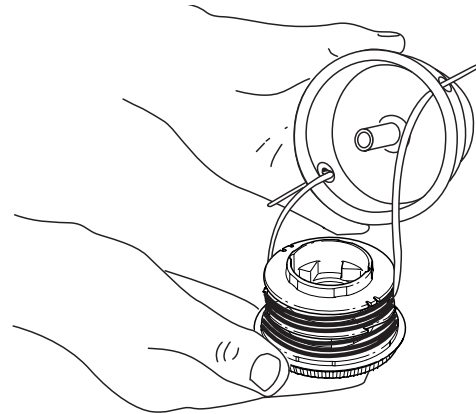


Fig. 15

- Sostenga el carrete interior en su lugar e instale la perilla percusiva, el resorte y el sello de espuma presionando y girando la perilla percusiva en sentido horario. Tome los extremos y tire con firmeza para soltar la línea de las ranuras de fijación en el carrete interior. (Fig. 13).

Desconexión del carrete interior

Si el SpeedSpool® no suelta línea en forma correcta, tire firmemente de los extremos de la línea de la bobina (Fig. 13). Si al hacer esto la línea no se suelta, siga las instrucciones de limpieza del SpeedSpool® a continuación.

INSTRUCCIONES DE MANTENIMIENTO Y REPARACION

Limpeza del SpeedSpool®

La limpieza de SpeedSpool® puede ser necesaria,

- Para sacar línea enredada o en exceso,
 - Si el bobinado del SpeedSpool® se torna dificultoso o no opera en forma correcta cuando golpea la cabeza contra el suelo,
1. Sostenga la bobina exterior y desenrosque la perilla percusiva en sentido antihorario (Fig. 16).

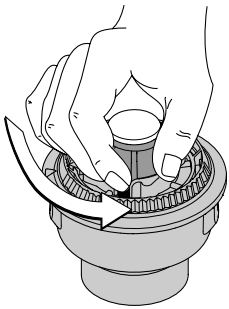


Fig. 16

Carrete interior

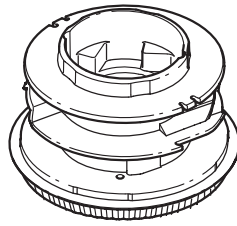


Fig. 17

2. Saque la perilla percusiva, el resorte y el sello de espuma (Fig. 17).
3. Saque el carrete interior con la línea existente de la bobina exterior (Fig. 17).
4. Saque toda la línea que haya en el carrete interior antes de limpiarlo. Saque todos los residuos o pasto de la perilla, resorte, carrete interno y sello de espuma. Lave el carrete interior con agua jabonosa tibia (Fig. 17).
5. Limpie el eje y la superficie interior de la bobina exterior. Para limpiar el eje debajo del émbolo, empuje el émbolo hacia abajo (Fig. 18). Saque toda la suciedad o residuos del eje.

NOTA: El carrete interior debe estar seco por completo antes de volver a instalarlo en la bobina exterior. No lubrique el ensamble del carrete interior ni de la bobina exterior.

6. Coloque el carrete interior en la bobina exterior.
7. Coloque la perilla percusiva, el resorte y el sello de espuma en la bobina exterior (Fig. 14).
8. Ajuste la perilla percusiva presionando hacia abajo y girándola en sentido horario.
9. Instale la línea nueva según se indica en **Instalación de la línea para el SpeedSpool®**.

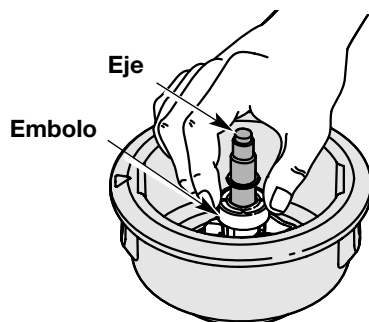


Fig. 18

PIEZAS DE REPUESTO PARA EL SPEEDSPOOL®

Línea de repuesto	181472
Cartucho de línea de repuesto	181460
Resorte del carrete interior	181465
Sello de espuma	181467
Carrete interior	181464
Ensamble de la perilla de la cabeza percusiva	181468

(Cabeza percusiva, carrete interior, resorte,)
Puede adquirir estas piezas de repuesto para el SpeedSpool® en su distribuidor local autorizado.

LIMPIEZA

Use un cepillo pequeño para limpiar la parte exterior de la unidad. No use detergentes fuertes. Los limpiadores domésticos que contienen aceites aromáticos como pino y limón, y con solventes como el queroseno pueden dañar el bastidor de plástico y la manija. Seque toda la humedad con un paño suave.

ALMACENAMIENTO

- Examine la unidad antes de que la guarde para que compruebe que el equipo se encuentre en buen estado de funcionamiento.
- Pare el motor.
- Guarde la unidad bajo techo en un lugar seco y asegurado, lejos del alcance de los niños.
- Mantenga o cambie las etiquetas de seguridad e instrucciones, como sea necesario.

Para unidades a gasolina

- Permita que la unidad se enfríe antes de guardarla en cualquier lugar encerrado.
- Vacíe el combustible de la unidad. Nunca guarde la unidad con combustible dentro del tanque en un edificio en donde haya presentes fuentes de ignición tales como calentadores portátiles, secadoras de ropa, etc.

TRANSPORTE

- Espere que el motor se enfríe antes de transportarla.
- Asegure la unidad durante su transporte.

Para unidades a gasolina

- Drene el combustible de la unidad.
- Apriete la tapa del combustible antes del transporte.

RESOLUCION DE PROBLEMAS

LA CABEZA DE CORTE NO HACE AVANZAR LINEA

CAUSA	ACCION
El accesorio de corte está atascado de hierba	Apague, desenchufe la unidad y limpie el accesorio de corte
El accesorio de corte no tiene línea	Coloque una línea nueva
El carrete interior está trabado	Cambie el carrete interior
La cabeza de corte está sucia	Limpie el carrete interior y la bobina exterior
La línea se ha soldado	Desarme, saque la sección soldada y rebobine la línea
La línea se retorció al reponerla	Desarme y rebobine la línea
No hay suficiente línea expuesta	Oprima la perilla percusiva y tire de la línea hasta sacar 4 pulgadas (102 mm) de línea fuera del accesorio de corte.

LA LÍNEA DE CORTE AVANZA SIN CONTROL

CAUSA	ACCIÓN
El cabezal de corte tiene aceite	Limpie el aditamento de corte

Si necesita asistencia adicional, comuníquese con su proveedor de servicio autorizado.

ESPECIFICACIONES

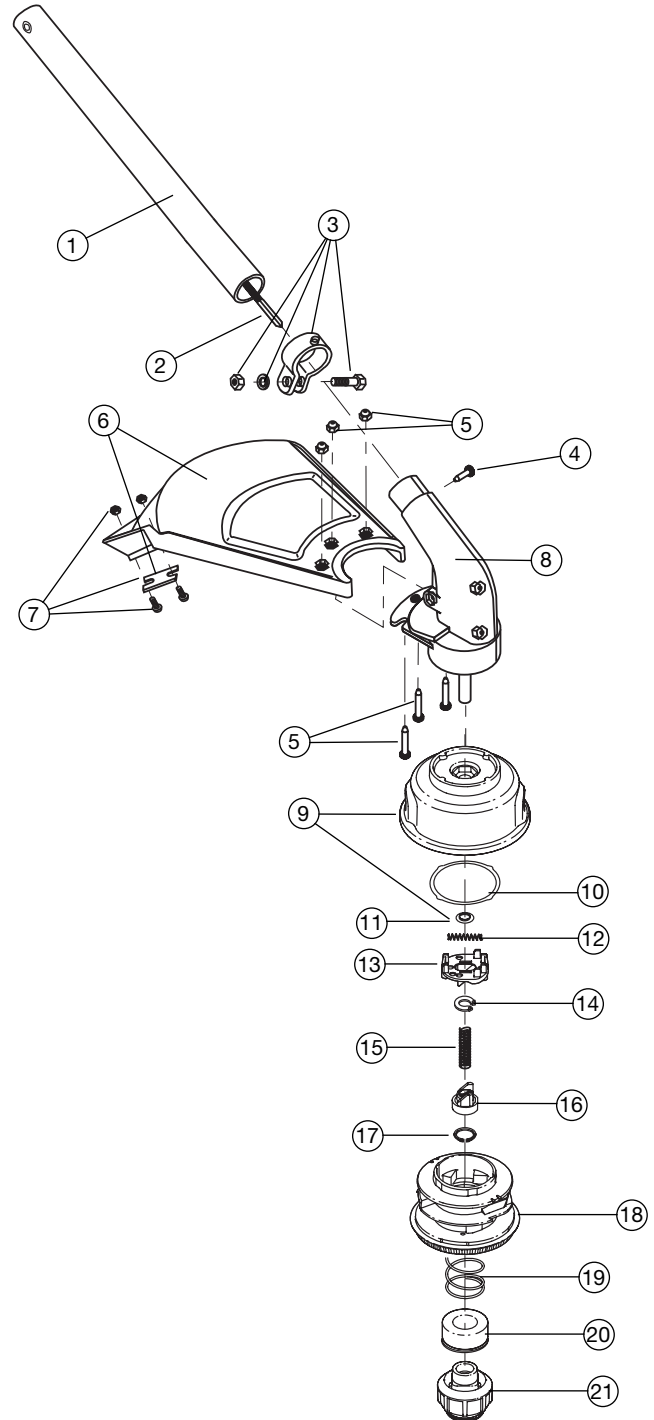
ACCESORIO RECORTADOR DE EJE RECTO

Peso de la unidad	3 lbs. (1.36 kg.)
Mecanismo de corte	SpeedSpool® Cabeza percusiva de línea doble
Bobina de la línea	Liberador de línea percusivo
Diámetro de la bobina de línea	3 inches (76.2 mm)
Diámetro de la línea de corte	0.080 inches (2.03 mm)
Diámetro de la trayectoria de corte	17 inches (43.18 cm)

NOTAS

PARTS

BOOM AND TRIMMER PARTS - MODEL TBSS STRAIGHT SHAFT TRIMMER ATTACHMENT



Item	Part No.	Description
1	753-1212	Lower Drive Shaft Housing Assembly
2	753-05182	Lower Flexible Drive Shaft
3	791-153597	Lower Clamp Assembly (includes 4)
4	791-145569	Anti-Rotation Screw
5	791-180547	Shield Mounting Hardware
6	791-180548	Shield and Blade Assembly (includes 7)
7	791-682061	Blade Assembly
8	753-05188	Gearbox Assembly (includes 3 & 9-21)
9	791-181457	Outer Spool & Eyelet Assembly
10	791-181561	Thrust Washer
11	791-181458	Retaining Ring
12	791-181459	Small Spring
13	753-04257	Slider
14	791-181532	E-Clip
15	791-181531	Spring
16	791-181462	Plunger
17	791-181463	C-Clip
18	791-181464	Inner Reel
19	791-181465B	Large Spring
20	791-181467	Foam Seal
21	791-181468B	Bump Head Knob Assembly (includes 19 & 20)

Optional Accessories

- * 791-181472 Replacement Line, .080 Diameter
- * 791-181460B Reel and Line Assembly
- * 791-682075 Shoulder Strap Assembly
- * 791-612605 Hanger Accessory

* Items Not Shown

GARANTÍA LIMITADA DEL FABRICANTE PARA:



La garantía limitada establecida a continuación es dada por Troy-Bilt LLC ("Troy-Bilt") con respecto a mercancía nueva que sea comprada y usada en los Estados Unidos, sus posesiones y territorios.

Troy-Bilt garantiza este producto contra defectos en el material y la mano de obra durante un período de dos (2) años, a partir de la fecha de compra original y a su entera opción, arreglará o substituirá, sin costo alguno, cualquier pieza cuyo material o mano de obra se considere defectuoso. Esta garantía limitada se deberá aplicar únicamente si este producto ha sido manejado y mantenido de acuerdo al Manual del Operador incluido con el producto y, si no ha sido sometido a mal uso, abuso, uso comercial, accidente, mantenimiento inapropiado, alteración, vandalismo, hurto, fuego, agua o daños debidos a otros riesgos o desastre natural. Los daños ocasionados por la instalación o el uso de cualquier accesorio o aditamento que no esté aprobado por Troy-Bilt para que sea usado con el (los) producto(s) contemplados en este manual, anularán la garantía con respecto a cualquier daño resultante. Esta garantía está limitada a noventa (90) días a partir de la fecha de compra original de cualquier producto Troy-Bilt que se use para alquiler o para propósitos comerciales, o cualquier otro propósito que genere ingreso.

CÓMO OBTENER SERVICIO: El servicio de garantía se encuentra disponible A TRAVÉS DE SU DISTRIBUIDOR LOCAL AUTORIZADO, AL PRESENTAR UN COMPROBANTE DE COMPRA. Para ubicar al distribuidor de su área, por favor consulte las Páginas Amarillas o contacte al Departamento de Servicio al Consumidor de Troy-Bilt llame al **1-800-520-5520** o, escriba a P.O. Box 361131, Cleveland OH 44136-0019. Si está en Canadá, llame al **1-800-668-1238**. No se aceptará ningún producto que sea enviado directamente a la fábrica, a menos que haya recibido autorización previa por escrito por parte del Departamento de Servicio al Consumidor de Troy-Bilt.

Esta garantía limitada no ofrece cobertura en los siguientes casos:

- A. Sincronizaciones — Bujías, ajustes de carburadores, filtros.
- B. Artículos de desgaste — Botón de tope, carretes externos, línea de corte, carretes internos, polea de arranque, cuerdas de arranque, correas motoras.
- C. Troy-Bilt no le ofrece ninguna garantía a productos que sean vendidos o exportados fuera de los Estados Unidos de Norteamérica, sus posesiones y territorios, excepto aquellos que se vendan a través de los canales de distribución para exportación autorizados por Troy-Bilt.

Troy-Bilt se reserva el derecho a cambiar o mejorar el diseño de cualquier producto Troy-Bilt, sin asumir ninguna obligación para modificar ningún producto fabricado con anterioridad.

Ninguna garantía implícita es aplicable, incluyendo cualquier garantía implícita de comerciabilidad o idoneidad para un propósito particular, después del período de la garantía expresa escrita con anterioridad, con respecto a las piezas identificadas. Ninguna otra garantía expresa dada por cualquier persona o entidad, incluyendo a los distribuidores o minoristas, bien sea escrita u oral, deberá comprometer a Troy-Bilt con respecto a cualquier producto. Durante el período de la Garantía, la solución exclusiva es arreglar o cambiar el producto de la manera establecida anteriormente. (Algunos estados no permiten limitaciones en cuanto al período de duración de una garantía implícita, de manera que puede que la limitación anterior no sea aplicable para usted.)

Las estipulaciones establecidas en esta Garantía ofrecen la solución única y exclusiva que resulte de las ventas. Troy-Bilt no deberá ser responsable de pérdidas o daños incidentales o consecuentes que incluyan, sin limitación, erogación de gastos debido a la sustitución de servicios de mantenimiento de prados, transporte o gastos relacionados, o gastos de alquiler para reemplazar temporalmente un producto bajo garantía. (Algunos estados no permiten limitaciones en cuanto al período de duración de una garantía implícita, de manera que puede que la limitación anterior no sea aplicable para usted.)

La recuperación de cualquier tipo no deberá ser superior al precio de compra del producto vendido en ningún caso. La alteración de las características de seguridad del producto deberá anular la garantía. Usted asume el riesgo y la obligación de la pérdida, daño o lesión en su persona o a su propiedad y / o la de otras personas y sus propiedades, que se origine a raíz del uso o mal uso, o la falta de capacidad para usar el producto.

Esta garantía limitada no deberá cubrir a ninguna otra persona distinta al comprador original, arrendatario original, o la persona para la que se compró en calidad de regalo.

Relación de las leyes estatales con esta Garantía: Esta garantía le confiere derechos legales específicos, y puede que usted también tenga otros derechos, los cuales varían en cada estado.

Para ubicar a su distribuidor de servicio más cercano, llame al **1-800-345-8746** en los Estados Unidos a al **1-800-668-1238** en Canadá.

Troy-Bilt LLC

P.O. Box 361131
Cleveland, OH 44136-0019

Free Manuals Download Website

<http://myh66.com>

<http://usermanuals.us>

<http://www.somanuals.com>

<http://www.4manuals.cc>

<http://www.manual-lib.com>

<http://www.404manual.com>

<http://www.luxmanual.com>

<http://aubethermostatmanual.com>

Golf course search by state

<http://golfingnear.com>

Email search by domain

<http://emailbydomain.com>

Auto manuals search

<http://auto.somanuals.com>

TV manuals search

<http://tv.somanuals.com>