



**TRUE EUROPE**

Field's End Road, Goldthorpe, Nr. Rotherham, South Yorkshire S63 9EU,  
 United Kingdom • www.truemfg.com • Tel 01709 888 080 • Fax 01709 880 838  
 • Free Phone 0 800 783 2049 • Free Phone to U.S. 0 800 894 928

Project Name: \_\_\_\_\_

Location: \_\_\_\_\_

Item #: \_\_\_\_\_ Qty: \_\_\_\_\_

Model #: \_\_\_\_\_

A/A #

S/S #

Model:  
**TMW-36F**

**Meat Well:**  
 Freezer



**TMW-36F**

- ▶ True's Meat Well units are designed with enduring quality that protects your long term investment.
- ▶ Designed using the highest quality materials and components to provide the user with colder product temperatures, lower utility costs, exceptional food safety and the best value in today's food service marketplace.
- ▶ Manual defrost system.
- ▶ Oversized, environmentally friendly (R404A) refrigeration system holds -18°C to -23°C (0°F to -10°F).
- ▶ 300 Series stainless steel exterior and interior.
- ▶ Foamed-in-place using Ecomate. A high density, polyurethane insulation that has zero ozone depletion potential (ODP) and zero global warming potential (GWP).
- ▶ Convenient 26mm (1") diameter drain with plug for easy cleaning.
- ▶ Self-closing lid to better maintain product temperature.
- ▶ 64mm (2 ½") diameter castors standard.

**ROUGH-IN DATA**

Specifications subject to change without notice.  
 Chart dimensions rounded up to the next whole millimeter (inches rounded up to the next 1/8").

Model	Lids	Cabinet Dimensions (mm)			HP	Voltage	Amps	NEMA Config.	Crated Weight (kg)
		L	D	H					
TMW-36F	1	877	600	839	1/3	230-240/50/1	2.2	▲	89

▲ Plug type varies by country.

	<b>APPROVALS:</b>	<b>AVAILABLE AT:</b>
	5/12	Printed in U.S.A.

Model:  
**TMW-36F**

**Meat Well:**  
Freezer

**True**®

## STANDARD FEATURES

### DESIGN

- True's Meat Well units are designed with enduring quality that protects your long term investment.
- Designed using the highest quality materials and components to provide the user with colder product temperatures, lower utility costs, exceptional food safety and the best value in today's food service marketplace.

### REFRIGERATION SYSTEM

- Oversized, environmentally friendly (R404A) refrigeration system holds -18°C to -23°C (0°F to -10°F).
- Manual defrost system.

### CABINET CONSTRUCTION

- 300 series stainless steel exterior and interior.
- Insulation - entire cabinet structure is foamed-in-place using Ecomate. A new, innovative, high density, polyurethane insulation that has zero ozone depletion potential (ODP) and zero global warming potential (GWP).

- 64mm (2½") diameter castors standard.
- Convenient 26mm (1") diameter drain with plug for easy cleaning.

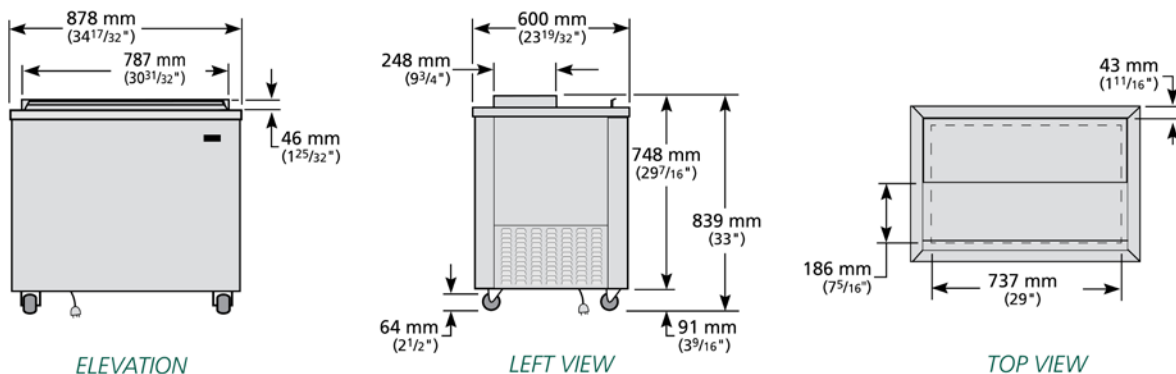
### LID

- Self-closing lid to better maintain product temperature.

### ELECTRICAL


- Unit completely pre-wired at factory and ready for final connection to a 230-240/50/1 phase dedicated outlet.
- Plug type varies by country.

## PLAN VIEW



METRIC DIMENSIONS ROUNDED UP TO THE NEAREST WHOLE MILLIMETER

SPECIFICATIONS SUBJECT TO CHANGE WITHOUT NOTICE

	Model	Elevation	Right	Plan	3D	Back
	TMW-36F	TFQY84E	TFQY84S	TFQY84P	TFQY1843	

**TRUE EUROPE**

Field's End Road, Goldthorpe, Nr. Rotherham, South Yorkshire S63 9EU, United Kingdom • 01709 888 080 • Fax 01709 880 838 • Free Phone 0 800 783 2049 • Free Phone to U.S. 0 800 894 928 • www.truemfg.com

Download from [Www.Somanuals.com](http://Www.Somanuals.com). All Manuals Search And Download.

## Free Manuals Download Website

<http://myh66.com>

<http://usermanuals.us>

<http://www.somanuals.com>

<http://www.4manuals.cc>

<http://www.manual-lib.com>

<http://www.404manual.com>

<http://www.luxmanual.com>

<http://aubethermostatmanual.com>

Golf course search by state

<http://golfingnear.com>

Email search by domain

<http://emailbydomain.com>

Auto manuals search

<http://auto.somanuals.com>

TV manuals search

<http://tv.somanuals.com>