

ELECTRONIC TREADMILL J 660

GB	OWNER'S MANUAL	P.	2-11
D	BETRIEBSANLEITUNG	S.	12-21
F	MODE D'EMPLOI	P.	22-31
E	MANUAL DEL USUARIO	P.	32-41
NL	HANDLEIDING	P.	42-51
I	MANUALE D'USO	P.	52-61
S	BRUKSANVISNING	S.	62-71
FIN	KÄYTTÖOHJE	S.	72-81



583 4010 D

TUNTURI[®]
THE MOTOR – *it's you*

REMARKS AND WARNINGS

PLEASE READ THIS OWNER'S MANUAL THROUGH CAREFULLY BEFORE ASSEMBLING, USING AND SERVICING THE TREADMILL. FOLLOW THE INSTRUCTIONS DESCRIBED IN THIS MANUAL CAREFULLY.

THE EQUIPMENT HAS BEEN DESIGNED FOR DOMESTIC USE, FOR WHICH FULL TUNTURI WARRANTY APPLIES. PLEASE NOTE THAT THE WARRANTY DOES NOT COVER DAMAGE DUE TO NEGLIGENCE OF ADJUSTMENT OR MAINTENANCE INSTRUCTIONS DESCRIBED IN THIS MANUAL. PLEASE PAY PARTICULAR ATTENTION TO THE NOTES REGARDING LUBRICATION AND ADJUSTMENT OF THE RUNNING BELT.

Before connecting the device to a power source make sure that the local voltage matches that which is indicated on the type plate. The device operates either on 230 V or on 115 V voltage. Please note that the device's maximum power consumption is 10 A/20 A. The device may only be plugged into an earthed socket. Never use extension cords between the treadmill and your wall outlet.

Outlets, that service multiple appliances, or have fluctuating voltage of more than 5%, may result in erratic performance or cause damage to treadmill electronics. Using electrical power other than that which has been specified in this manual, will ultimately void any warranty, implied or otherwise.

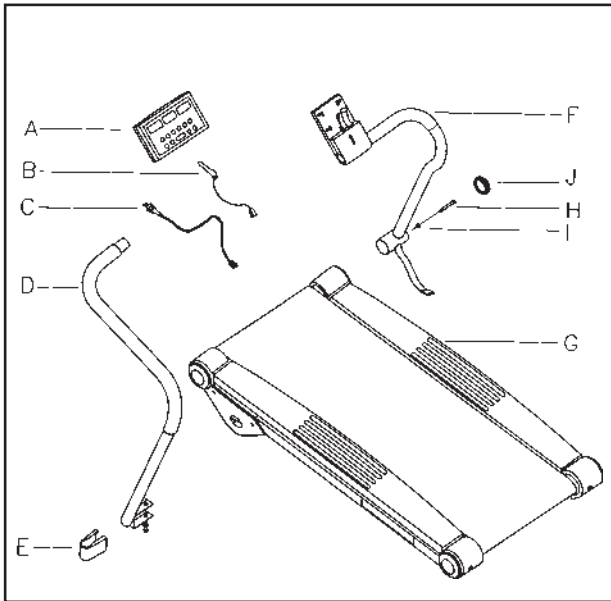
- * *Before you start using the treadmill, make sure that it functions correctly in every way. Do not use a faulty device.*
- * **Do not attempt any servicing or adjustment other than those described in this manual. The given instructions must be followed carefully.**
- * *Never operate with the dust or side covers removed.*
- * *Make sure that the treadmill is unplugged and turned off before beginning any assembly or maintenance procedures.*
- * *Always unplug the treadmill from the electrical outlet after each training session.*
- * *Do not pull the treadmill by its power cord.*
- * *Do not use outdoors.*
- * *Place the treadmill on a firm, level surface. Allow 120 cm or 4 feet of clearance behind the treadmill and 60 cm or 2 feet on either side and in front of the treadmill.*
- * *Parents and others responsible for children should note that children's natural playfulness and curiosity may lead to situations and behaviour for which the treadmill is not designed. If children are allowed to use the treadmill, they should be supervised and taught to use it properly, keeping in mind the child's physical and mental development and their personality. The treadmill is not a toy.*
- * *This treadmill is equipped with a cord having an equipment earthed connector and an earthed plug. Do not modify the plug provided with the treadmill in any way. If it will not fit your outlet, have a proper outlet installed by a person familiar with the maintenance of electromechanical devices and authorized under the laws of the country in question (or otherwise) to carry out maintenance and repair work.*
- * *Do not apply silicone as it will damage the running deck.*
- * *Before operating the treadmill familiarize yourself with the adjustments, displays and keys.*

NOTE ALSO

- * **Before you start any training, consult a physician to check your state of health.**
- * *If you experience nausea, dizziness or other abnormal symptoms while exercising, stop your workout at once and consult a physician.*
- * *Only one person may use the treadmill at a time.*
- * *Always use the handlebar when stepping on or off the treadmill and when changing speed. Do not jump off the running belt when it is moving.*
- * *Keep hands clear of any moving parts. Never place hands, feet or any other objects under the treadmill.*
- * *Wear appropriate clothing and shoes when exercising. Make sure your shoelaces are properly tied. To avoid injury and unnecessary wear on your treadmill, be sure your shoes are free of any debris such as gravel and small pebbles.*
- * **The treadmill is equipped with a safety tether key. If the key is removed from its place near the electronic display, the treadmill will immediately stop. Always clip the cord attached to the safety tether key to a part of your clothing so that the key will be pulled from its place, stopping the treadmill, if necessary.**
- * *Always stretch your muscles prior to and following any exercise program.*
- * *The treadmill is not recommended for use by persons weighing more than 110 kg.*
- * *The information presented in this manual is given in good faith and as accurately as possible. However, anyone who uses this information in installing, using or servicing the treadmill does so at their own risk.*

1. ASSEMBLY

Before assembling the device, insure all parts are present:



- A Meter
 - B Safety tether key with cord (+ 1 spare key)
 - C Power cord
 - D Left handlebar
 - E Handlebar bracket cover
 - F Right handlebar with attached meter base
 - G Main frame
- Assembly kit including the following:
- H 2 x M8 x 80 mm allen screws
 - I 1 x white decorative cap
 - J 2 x flat washers
- 1 x 6 mm allen wrench
1 x 10/11 open-end wrench

If you notice that a part is missing, contact the dealer and give the model (J 660), serial number and spare part number from the spare part list at the back of the manual.

Once the treadmill and all its parts have been unpacked, assemble as follows (left, right, front and back are as seen from the exercising position):

1.1. MOUNTING THE HANDLEBARS

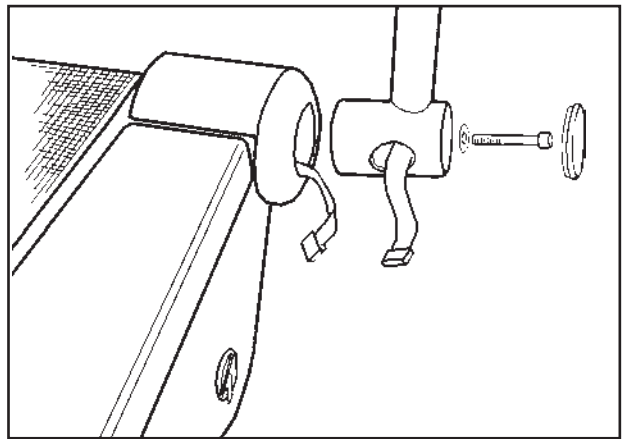
NOTE: Do not tighten any fixing screws before both handlebars are completely assembled.

Remove and dispose the silicate bag from the bottom of the right handlebar. The purpose of this bag is simply to absorb dampness during transportation and storage.

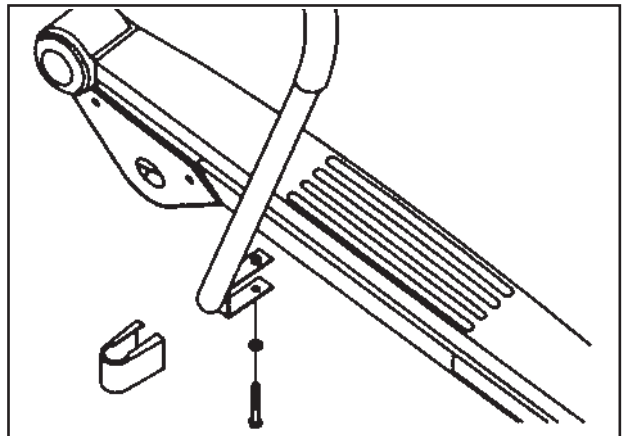
Pull the ribbon cable out from the right hand side cover and install the right handlebar in place at the front right corner of the treadmill and secure it using the allen screw and washer.

CAUTION! Be careful not to pinch or otherwise damage the ribbon cable. The ribbon cable comes out between the side cover and the handlebar!

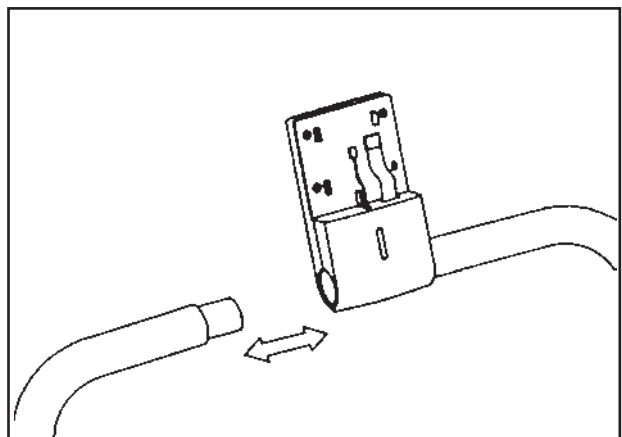
Press the white decorative cap onto the lower end of the right handlebar.



Attach the left handlebar to the running deck side rail using an allen screw and a washer. If necessary, lean the treadmill on one side with help of another person. Attach the handlebar bracket cover by snapping it into place over the lower end of the left handlebar.



Push the left handlebar inside the plastic meter base attached to the right handlebar.



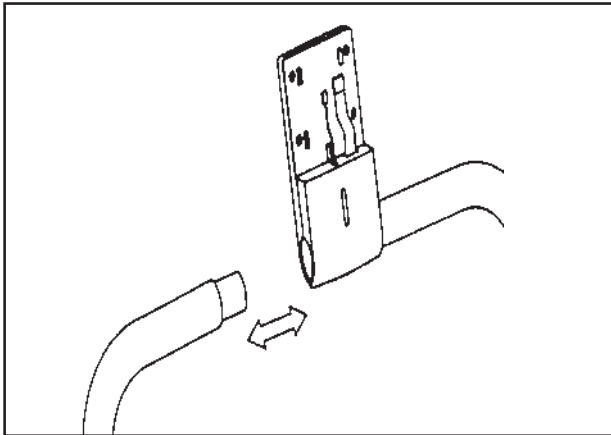
When the top of the left handlebar is touching the top of the right handlebar, tighten the screws in the bottom of the meter base, while ensuring the handlebars are held securely together.

Be careful not to pinch or otherwise damage the flat ribbon cable that runs inside the right handlebar.

Tighten the fixing screws of both handlebars.

1.2. MOUNTING THE METER

Plug in the pulse cable and flat ribbon cable connectors on the back side of the display. Tuck the cables inside the meter base and carefully slide the meter onto the base.

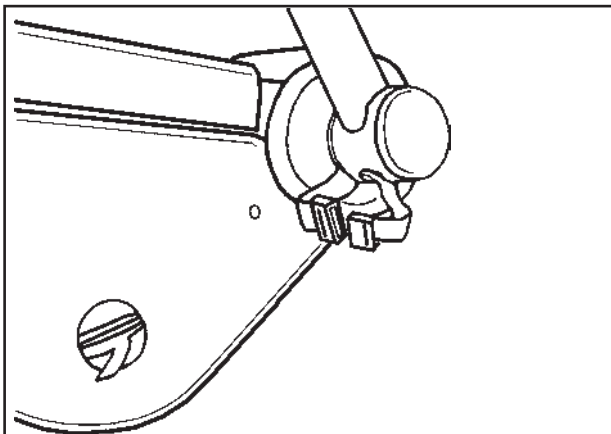


Be careful not to pinch or otherwise damage the cables.

Remove the protecting film from the display.

1.3. CONNECTING THE METER CABLE

Plug the lower end of the flat ribbon cable coming out from the frame into the upper end coming out of the right handlebar. Push the cable into the right handlebar so that the cable will not be damaged.

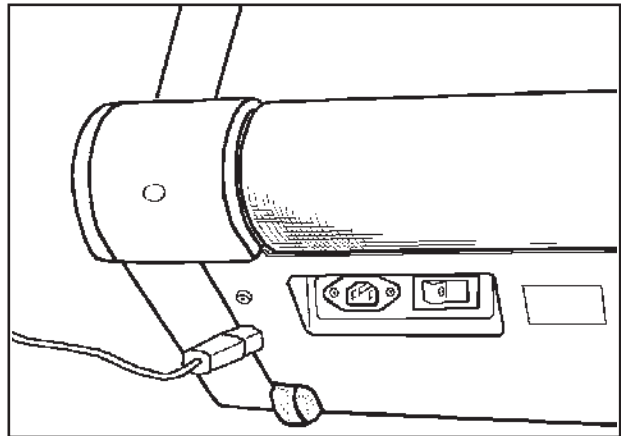


1.4. PLUGGING IN THE TREADMILL

Plug the socket end of the power cord into the treadmill at the lower right front corner.

Before connecting the device to a power source make sure that the voltage is correct from the type plate (at the lower right corner of the treadmill, next to the power switch).

NOTE! Once the treadmill is assembled, it must be lubricated with Teflon (enclosed) before use (see 4.3. LUBRICATING THE RUNNING DECK).



2. USE

Turn on the power switch at the lower right front corner of the treadmill.

When the treadmill is switched on, the J 660 meter will display the "enter weight" mode (see 2.5. ENTER YOUR WEIGHT).

2.1. INSERT SAFETY TETHER KEY

The treadmill is equipped with a safety tether key. If the key is removed from its place near the electronic display, the treadmill will immediately stop.

Insert the yellow safety tether key into the meter base. Attach the clip on the other end of the cord to your shirt or collar.

NOTE: The treadmill cannot be used and the meter will not function completely if the tether key is not properly installed in the meter base (text "teth" in the display).

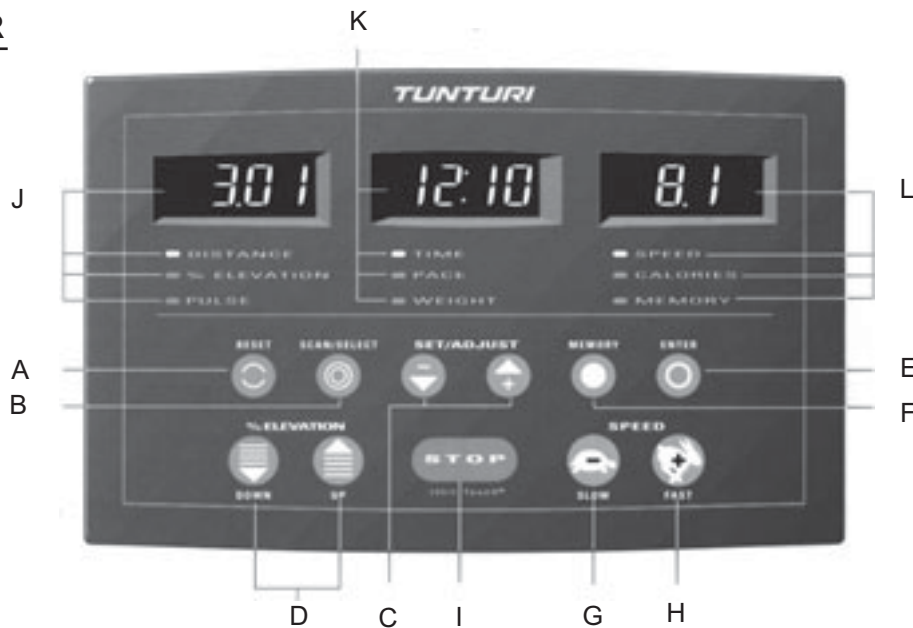
2.2. EXERCISING

Working out with the J 660 is excellent aerobic exercise, the principle being that the exercise should be suitably light, but of long duration. **You should exercise at least three times a week, 30 minutes at a time, to reach a basic fitness level.** Maintaining this level requires a few exercise sessions each week. Once the basic condition has been reached, it is easily improved, simply by increasing the number of exercise sessions.

Exercise is always rewarding for weight loss, because it is the only way of increasing the energy spent by the body. This is why it is always worthwhile to combine regular exercise with a healthy diet. A dieter should exercise daily - at first 30 minutes or less at a time, gradually increasing the daily workout time to one hour. It is advisable to start slowly, because for an overweight person strenuous exercise may subject the heart and circulatory system to excessive strain.

Exercise efficiency can be measured by monitoring the pulse. The J 660's pulse meter helps you monitor your pulse easily during exercise, and thus to ensure that the exercise is sufficiently effective but not over-strenuous (see 2.13. PULSE MEASUREMENT).

2.3. METER



2.3.1. KEYS

- (A) RESET**
When the treadmill is running: Resets time, distance and kilocalories.
When the treadmill is stopped: Returns meter to the "enter weight" mode. To continue, either set weight with the arrow keys and push the ENTER key or just push ENTER and accept the default weight.
- (B) SCAN / SELECT**
Pressing this key once starts scanning the different display values. Pressing the key a second time stops scanning, allowing the computer to display the current parameter.
- (C) + AND - ARROW KEYS (SET / ADJUST)**
These keys are used to set the correct weight (kg or lbs) for the calculation of energy consumption. In addition the arrow keys are used in the user set up mode.
- (D) UP AND DOWN ARROW KEYS (% ELEVATION)**
UP-key increases the elevation in 1 % increments. The back of the treadmill goes down increasing the elevation.
DOWN-key decreases the elevation in 1 % increments. The back of the treadmill will rise decreasing the elevation.
- (E) ENTER**
Used to confirm the set user weight. In addition the ENTER key is used in the user set up mode.
- (F) MEMORY**
The MEMORY-key is used to save and open one of the five pre-programmed workouts or one manually made workout.
- (G) TORTOISE (SPEED / SLOW)**
Decreases belt speed in 0.1 km/h increments (or 0.1 mph).
- (H) HARE (SPEED / FAST)**
Increases belt speed in 0.1 km/h increments (or 0.1 mph).
- (I) STOP**
Stops the treadmill motor and running belt. If pressed once, enters the "pause" mode. All exercise data including current speed and elevation are stored temporarily in the memory of the meter for 1-5 minutes (depending on the set pause time-out duration, see 2.4. USER SET UP MODE). This function allows you to pause the treadmill for some minutes and then continue your workout without losing the numerical data. If the STOP key is pressed twice or when the pause time has expired, the meter will continue displaying the cumulative training values, but it is not possible to continue the workout from those values.

2.3.2. FUNCTIONS

The small light next to each function indicates which function is currently displayed.

DISTANCE

Displays distance traveled during the exercise session in kilometres or miles (00.0-99.9).

%ELEVATION

Displays current % elevation (0-10 %).

PULSE (OPTIONAL)

Displays pulse (see 2.14. PULSE MEASUREMENT).

TIME

Displays the elapsed time of the exercise session in minutes and seconds (00.00-99.59 minutes in 1 second increments).

PACE

Displays the time it takes to run/walk a kilometre or a mile at the current speed.

WEIGHT

Displays user weight entered (max. 110 kg).

SPEED

Displays belt speed either in km/h (1.5-16.0 km/h) or in mph (1.0-10.0 mph).

CALORIES

Displays estimated energy consumption in kilocalories (0-999 kcal). This meter uses values for weight, time, speed and elevation to calculate the cumulative kilocalories burned during the exercise session. Since different people's capacity to produce energy (efficiency) varies, the energy consumption display shows only an approximation of the real consumption.

MEMORY

The small light next to the MEMORY text is on when a pre-programmed or a user programme is being used.

2.4. USER SET UP MODE

This treadmill features a user set up mode, which enables the user to choose between certain set up parameters: English (mile, mph, lbs) or metric units (km, km/h, kg), audio signals on or off and pause time-out duration. In addition you can enable or disable memory protection from the user set up mode.

1. Press and hold the STOP key while pressing the SCAN/SELECT (when meter displays "enter weight" mode).
2. The meter will display either "EngL" (for English units) or "lSo" (for metric units). Choose the desired units by using the arrow keys.
3. Press the SCAN/SELECT key again. The meter will display either "Aud 1" (= Audio signal on) or "Aud 0" (= Audio signal off). Choose the desired parameter by using the arrow keys.
4. Press the SCAN/SELECT key again. The meter will display either "to 1", "to 2", "to 3", "to 4" or "to 5" (= time out). Choose the desired pause time-out duration by using the arrow keys. If you have chosen e.g. "to 4", the meter will memorize the exercising data for 4 minutes allowing you to continue training within that time without losing any numerical data.
5. Press the SCAN/SELECT key again. The meter will display either "PEnb" (memory protection off) or "PdIS" (memory protection on). When the memory protection is switched on, the training programmes saved in the memory of the meter cannot be modified. Choose the desired parameter by using the arrow keys.
6. Press the ENTER-key to return to "enter weight" mode.

2.5. ENTER YOUR WEIGHT

When the treadmill is switched on, the J 660 display will read "Tunturi J 660" and then display the "enter weight" mode.

1. The small light next to WEIGHT will blink and the display shows the last entered weight.
2. Set your own weight to the meter in kg or lbs by using the arrow keys. The unit depends on the chosen parameter in the user set up mode.
3. Press ENTER to confirm the set weight.
4. The small light next to SPEED turns on and the display shows 0.0 speed.

2.6. BEGIN TRAINING

Always hold the handrail for support when getting on or off the treadmill and when changing the speed during exercise. Do not jump off the running belt while it is moving!

Stand on the landing rails to the left and right of the running belt. Do not stand on the running belt.

2.7. CHOOSE MANUAL OR PROGRAMME MODE

2.7.1. MANUAL MODE

If you do not want to use the preprogrammed workouts (see 2.7.2. PROGRAMME MODE), start the training by pressing the HARE key (SPEED / FAST) once. The belt will start moving at 1.5 km/h (or 1.0 mph). Steady yourself by holding onto the handlebars and carefully stepping onto the moving belt. Increase speed by pressing the HARE key until the desired speed is reached. To slow down, press the TORTOISE key (SPEED / SLOW).

CAUTION! Never step onto the running belt at speeds greater than 1.5 km/h or 1.0 mph.

If requested you can change the elevation angle of the treadmill during the training by using the UP and DOWN arrow keys. The UP-key increases the elevation in 1 % increments. The back of the treadmill goes down increasing the elevation. The DOWN-key decreases the elevation in 1 % increments. The back of the treadmill will rise decreasing the elevation.

2.7.2. PROGRAMME MODE

If you want to choose one of the preprogrammed workouts or a user programme, press the MEMORY key. **NOTE:** If a user programme has not been recorded earlier you can only choose a preprogrammed workout. Choose the desired programme alternative by using the arrow keys (SET/ADJUST). Confirm by pressing the ENTER key.

If you have selected one of the preprogrammed profiles, press then the arrow keys (SET/ADJUST) until the desired intensity level is displayed; **IL 1 = Beginner, IL 2 = Intermediate, IL 3 = Advanced Intermediate, IL 4 = Advanced, and IL 5 = Athletic.** Press the ENTER key to confirm the selected intensity level.

Start the programme by pressing the HARE key (SPEED/FAST). The display beeps twice and the running belt begins to move. The meter also beeps for 15 seconds before each change in speed and/or elevation during the programme.

2.8. THE SCAN FUNCTION

Pressing the SCAN/SELECT key once starts scanning through the different computer functions. Each display is active for 3 seconds. **NOTE:** Pulse is displayed only when the pulse transmitter is attached around the chest (see 2.13. PULSE MEASUREMENT).

By pressing the SCAN/SELECT key again, the SCAN function will stop and the computer will continue to show the current function in the display window.

2.9. THE PAUSE FEATURE

If you wish to pause the treadmill for a while, press the STOP key once. The running belt stops. All exercise data including current speed and elevation are stored temporarily in the memory of the meter for 1-5 minutes (depending on the set pause time-out duration, see 2.4. USER SET UP MODE).

To continue exercising press the HARE key. The treadmill will return to its last speed and resume the time, distance and energy consumption counters.

If the STOP key is pressed twice or when the pause time has expired, the meter will continue displaying the cumulative training values, but it is not possible to continue the workout from those values. The display will return to the weight entry mode by pressing the RESET or ENTER keys.

NOTE: Do not remove the tether key when you pause the treadmill. This will stop the treadmill and the elapsed timer.

2.10. COMPLETE YOUR EXERCISE SESSION

The treadmill can be stopped in several ways, for example:

1. By pressing the STOP key.
2. By removing the safety tether key.
3. By decreasing the running speed to 0.0 km/h or mph by using the TORTOISE key (SPEED SLOW).
4. By reaching the end of a programmed workout.

AT THE END OF EVERY EXERCISE SESSION BE SURE TO:

Remember to stretch your muscles following any exercise program.

Use the main power switch to turn the unit off.

Never leave the safety tether key in the treadmill.

Unplug the electrical cord from the wall outlet and from the treadmill.

Store the electrical cord where it is clear from all pathways and out of childrens' reach.

If necessary clean the treadmill from sweat with a damp cloth. Do not use solvents.

2.11. PROGRAMMES

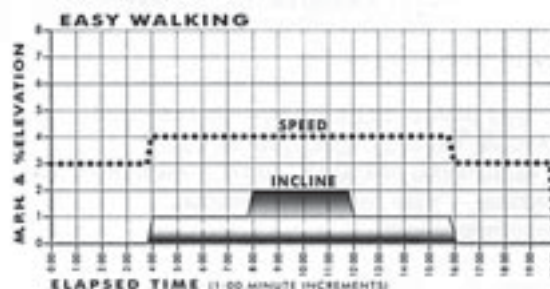
The J 660 has five different specially designed training programmes in its memory. You can also record and save one own programme to suit your specific needs (see 2.12. RECORDING AND SAVING A USER PROGRAMME).

Each preprogrammed workout profile can be executed at five different intensity levels, except "Easy Walking" which has three levels.

If necessary, you can also change the speed and elevation of the preprogrammed workouts during the training depending on your condition.

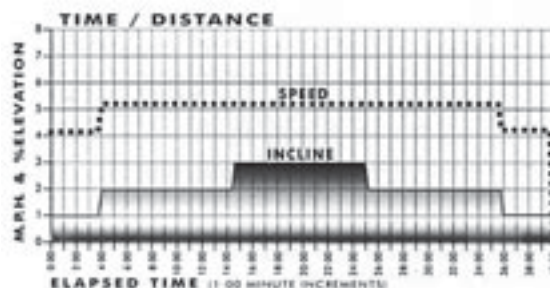
PROGRAMME 1: EASY WALKING

This programme is especially suitable for warm up and cooling down. There are only very minor changes in speed and elevation throughout the whole programme. "EASY WALKING" can be executed at three different intensity levels. The programme duration with the lowest level is 15 minutes, with the second level 20 minutes and with the highest level 25 minutes.



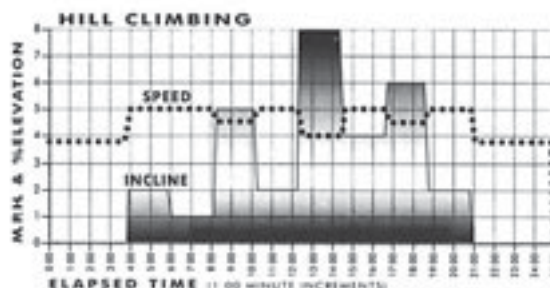
PROGRAMME 2: TIME / DISTANCE

The TIME/DISTANCE programme strengthens cardiovascular system as well as the muscles of the upper and lower body. It helps you to maintain the current level of fitness you have gained. The programme duration varies from 20 to 40 minutes according to the different intensity levels.



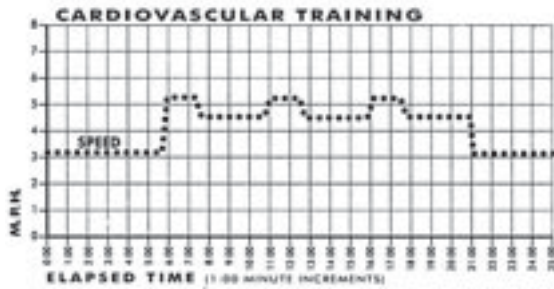
PROGRAMME 3: HILL CLIMBING

A cardiovascular conditioning programme. Slight changes in speed accompanied by drastic incline changes help create a stronger heart and greater cardiac output. The programme duration varies from 15 to 25 minutes according to the different intensity levels.



PROGRAMME 4: CARDIOVASCULAR TRAINING

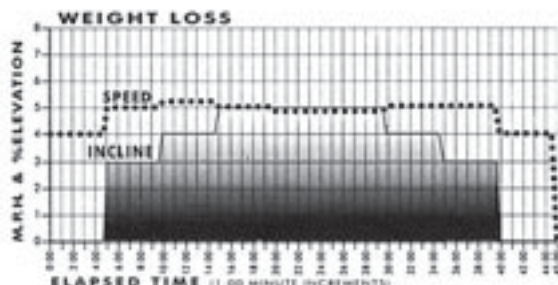
This programme is based on the principle of interval training. The heart rate is elevated to 85 % of its maximum for several minutes and then allowed to rest for several minutes. The "Cardiovascular Training" programme will increase your cardiovascular capacity to enable your body to handle workouts of longer duration. The programme duration varies from 15 to 35 minutes depending on the chosen intensity level.



PROGRAMME 5: WEIGHT LOSS

This programme has been developed for individuals whose goal is to burn excess body fat or to maintain present body weight. If you are just beginning a weight loss programme, a long duration exercise session at any intensity would be too strenuous. Therefore start with level one and change the intensity level gradually after regular training of four to six weeks. It is important to allow your muscles and metabolism to get used to the new rhythm and life style. The programme duration varies from 25 to 45 minutes depending on the chosen intensity level.

If you want to lose weight, energy consumption must exceed energy supply. So in order to lose weight, you must either increase the amount of exercise you get, or reduce your intake of food. Weight loss may be rather slow in the beginning as the fat burning increases the amount of fluid in the body. Gradually the additional fluids leave the body in form of sweat and urine as the metabolism adapts to its new, quickened rhythm. It is also important to remember that muscles weigh more than fat, but require less volume.



2.12. RECORDING AND SAVING A USER PROGRAMME

If requested you can save your training workout in the memory of the meter after the workout has been finished. The J 660 allows you to save one programme.

1. Press the **MEMORY** key after entering user weight (see **ENTER YOUR WEIGHT**).
2. Using the arrow keys (**SET/ADJUST**) select a programme (Pro 1, Pro 2, Pro 3 etc.). If a user programme has already been saved in the memory of the meter earlier, the display will first read **Usr 1**. Press **ENTER**.
3. Select desired intensity level (IL 1, IL 2, IL 3 etc.) by using the arrow keys (**SET/ADJUST**). Press **ENTER**.
4. Start the training. Speed and elevation can be adjusted during the workout, if desired.
5. Complete the recorded workout by running to the end of the programme or by pressing the **STOP** key (twice if you stop training in the middle of the workout).
6. The meter will display the text "Save no". If you wish to save this particular workout in the memory of the meter or the changes that you have done to an earlier saved programme, press either one of the arrow keys (**SET/ADJUST**) and the display will read "Save yes". Press **ENTER**.
7. The workout has been saved in the memory of the meter as a user programme.

2.13. PULSE MEASUREMENT

The J 660 is manufactured with heart rate monitoring capability. This treadmill has been fitted with an internal pulse receiver to make it compatible with most POLAR telemetric heart rate transmitters. The transmitter may be purchased as an accessory for the J 660.

The telemetric heart rate measurement, in which the electrodes of the transmitter fastened to the chest transmit the pulses from the heart to the meter by means of an electromagnetic field, is the most reliable method of heart rate measurement.

Should you wish to purchase the accessory please contact your local **TUNTURI** dealer or distributor for further information.

2.13.1. USING THE POLAR HEART RATE TRANSMITTER

NOTE! IF YOU HAVE A HEART PACEMAKER, YOU MAY USE THE PULSE MEASUREMENT TRANSMITTER ONLY ON A PHYSICIAN'S APPROVAL!

If you want to measure your pulse telemetrically during your workout start by attaching the elastic belt to the pulse transmitter.

Moisten the grooved electrodes on the transmitter belt with saliva or water. If you wear the transmitter and belt over a light shirt, moisten the shirt slightly at the points where the electrodes touch the shirt.

Fasten the transmitter just below the chest firmly enough so that the electrodes remain in contact with the skin while running, but not so tight that normal breathing is prevented.

NOTE! If the electrode surfaces are not moist, the pulse reading will not appear on the display. If the electrodes are dry, moisten them again. It is also important to allow the electrodes to warm up properly to ensure accurate pulse measurement.

The transmitter automatically transmits the pulse reading to the meter up to a distance of about 1 m. Display will show pulse when the small light is on next to the PULSE text. The light flashes in time with the user's heartbeat.

NOTE! If there are several telemetric pulse measurement devices next to each other, the distance between them should be at least 1.5 m. Similarly, if there is only one receiver and several transmitters in use, only one person with a transmitter should be within transmission range.

The transmitter is switched to an active state only when it is being used for measurement. Sweat and other moisture can, however, keep the transmitter in an active state and waste battery energy. **Therefore it is important to dry the electrodes carefully after use.**

3. ADJUSTMENTS

Monitor belt tracking during exercise and make adjustments as needed (described below).

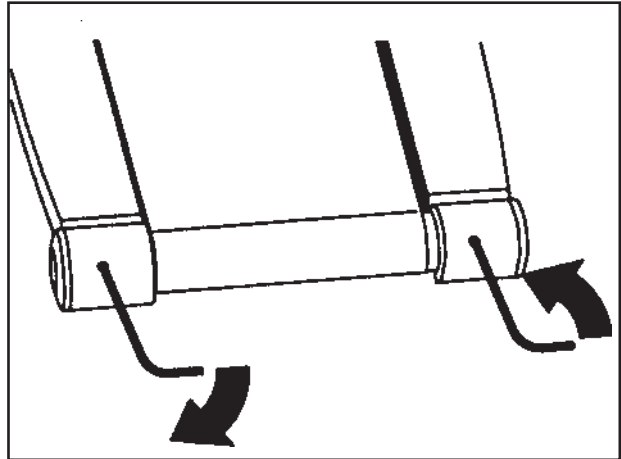
3.1. ALIGNING THE RUNNING BELT

The running belt should remain centered on the J 660 at all times. Normally when the unit is in the horizontal position and the belt properly tightened the belt will stay in the middle. It is, however, possible for the belt to be pushed to one side due to the user's running style (e.g. more weight on one foot). The alignment of the belt is adjusted by turning the two bolts at the back of the treadmill. Proceed then as follows:

1. Turn the power switch on and increase the treadmill's speed to 5 km/h (3 mph).
2. If the belt drifts to the left, turn the left adjustment bolt 1/8 turn clockwise and the right adjustment bolt 1/8 turn anticlockwise.
3. If the belt drifts to the right, turn the right adjustment bolt 1/8 turn clockwise and the left adjustment bolt 1/8 turn anticlockwise.

NOTE! Do not turn more than 1/8 at the time as already very small adjustments effect the alignment.

4. If the belt remains centralised the adjustment is correct. If not, continue to make small adjustments as above, checking for centralisation each time until the belt is correctly aligned.



If the belt is allowed run across to one side for long periods the edges of the belt may be damaged and the treadmill may not continue to operate correctly. Any damage to the belt caused by the lack of necessary adjustment will not be covered by the warranty.

3.2. ADJUSTING THE BELT TENSION

The belt must be tensioned if it begins to slip on the rollers.

NOTE! However, keep the belt as loose as possible!

The belt tension is adjusted by turning the same screws as used for aligning the running belt.

1. Turn the power switch on and increase the treadmill's speed to 5 km/h (3 mph).
2. Turn both adjustment screws an equal amount, approximately 1/8 turn clockwise.
3. Try to slow the belt down by holding onto the handrails and braking as you walk (as if you were walking downhill).

NOTE! When braking heavily the belt may slip.

4. If the belt slips, turn another 1/8 turn and repeat the test.

4. MAINTENANCE

We strongly recommend that a periodic maintenance schedule is adhered to. However, if you wish to have the maintenance carried out by a trained technician please contact your local TUNTURI dealer for details of service available and charges.

Check from time to time that all fasteners are properly tightened and wiring is in place. To avoid damaging fasteners, do not overtighten.

4.1. CLEANING AND INSPECTING THE RUNNING BELT

Turn the unit off and unplug the electrical cord from the wall outlet and from the treadmill. Carefully turn the treadmill on its side. Wipe off the inside of the running belt using a harsh brush. Do not use solvents. Rotate the running belt carefully by hand to clean the entire inside face. Loosen the belt adjusting screws at the back of the treadmill, if necessary. Return the treadmill into the upright position.

If running belt edges are frayed, check the running belt alignment. If seams are splitting contact your local TUNTURI representative.

4.2. CLEANING THE TREADMILL

Wipe the treadmill surfaces, especially the handlebars and meter from dust with a damp cloth or towel. Do not use solvents.

Use a small vacuum nozzle to carefully vacuum around all visible components (belt, running deck, side rails etc.). By supporting the device on one of the side rails you can also vacuum it from below. Vacuum also from inside the motor hood.

Clean the rollers once a year as follows: Loosen the adjusting bolts and wipe the rollers with a harsh brush. Tighten the tension adjustment bolts. Check that the running belt is aligned and centered on the treadmill bed (see 3.1. ALIGNING THE RUNNING BELT and 3.2. ADJUSTING THE BELT TENSION).

4.3. LUBRICATING THE RUNNING DECK

Lubrication is the most important service activity for the treadmill. This is absolutely essential, if the friction of the running deck increases noticeably or the motor begins to heat up. Lubrication intervals must under no circumstances exceed 200 usage kilometres; we recommend relubrication once a month. During the first 200 km of use, the running deck must be lubricated at intervals of 50 km. Insufficient lubrication will cause the belt, running deck and motor to wear out and break.

NOTE! Before you start to use your treadmill, it must be carefully lubricated per the lubrication instructions below! NOTE! If the treadmill is not used for at least three weeks, it must be carefully lubricated per the lubrication instructions below!

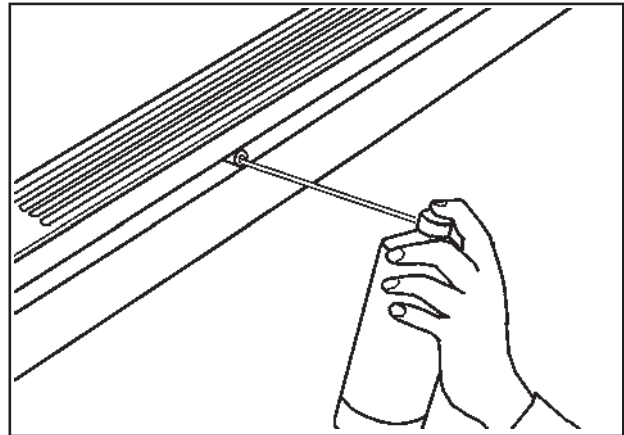
The need for relubrication depends to a great extent on the running styles and weight of the user: heavy user weight and slow speed put particular strain on the device and therefore demand greater lubrication. Use only the teflon enclosed to lubricate the treadmill. Contact your local TUNTURI dealer for further supplies of teflon.

NOTE! The device must under no circumstances be lubricated with silicone!

Please apply teflon by using the pressurised can provided with these instructions. Follow these and the safety

instructions on the teflon bottle carefully.

1. Let the treadmill run at a slow speed and spray teflon into the lubrication pipe underneath the treadmill. The pipe is marked with a decal.
2. When teflon is applied for the first time, the spraying time with the pressurised can should be approximately 20 seconds. Later, a spraying time of 10 seconds is sufficient.
3. Teflon drops through the holes of the lubrication pipe to the center of the running belt; the treadmill is instantly ready for use.



Please ensure after each time that you relubricate your treadmill that a strip of about 8" wide on the underside of the running belt becomes moist with teflon oil along its whole length. If necessary, spray teflon directly to the underside of the running belt.

4.4. ERROR CODES

In case of certain faults relating to the electronics of the treadmill, it has an integral, internal fault-finding system in order that faults can be found and corrected as quickly as possible.

The fault-finding system obviously does not cover all possible faults, but it does help to identify the most likely faults resulting from long-term use. When such a fault occurs, the display shows one of the fault codes below:

CODE	DESCRIPTION
E 1	Failure of speed sensor (sensor does not react to any movement of the belt)
E 4	Lift sensor or elevation system failure
E 7	Software failure
E 8	Speed of the running belt exceeds set speed

If any error code appears on the display or there are other malfunctions, proceed as follows:

1. Turn off the power switch for a minute and then turn it on again.

2. Insure the tether key is properly inserted.
3. Insure the power cord is properly plugged.
4. Insure the treadmill is properly lubricated (see 4.3. LUBRICATING THE RUNNING DECK).
5. If the error code does not disappear after the above mentioned maintenance actions, please contact your local TUNTURI dealer. Always give the error code and serial number (see the sticker at the back of the frame, below the left-hand side rail).

tEtH The tether key is not properly installed

In spite of continuous quality control, individual defects and malfunctions may occur due to individual components. It is in most cases unnecessary to take the whole treadmill for repair, as it is usually sufficient to replace the defective part.

4.5. USER MAINTENANCE MENU

The total treadmill running time and total distance are automatically saved in the memory of the treadmill. If you wish to check the total values during assembly measures, for example, proceed as follows:

1. Press and hold the STOP key while pressing the SCAN/SELECT key (when meter displays "enter weight" mode). The meter displays the user set up mode.
2. Press and hold the STOP key again while pressing first the SCAN/SELECT key and then the ENTER key.
3. The meter will scan the following functions: software version, total time and total distance.
4. Press ENTER key twice to exit the user maintenance menu.

5. MOVING AND STORAGE

The J 660 is equipped with wheels for easy mobility. Before moving, be sure the power cord is unplugged from the wall and the treadmill. Lift the rear end of the treadmill, then push or pull, rolling the treadmill on the front wheels.

NOTE! The running belt may need to be realigned and centered after moving (see 3.1. ALIGNING THE RUNNING BELT and 3.2. ADJUSTING THE BELT TENSION).

To prevent malfunctioning of the treadmill, store it in a dry place with as little temperature variation as possible, protected against dust. Always unplug the treadmill from the electrical outlet when not in use.

NOTE! If the treadmill is not used for at least three weeks, it must be carefully lubricated per the lubrication instructions!

6. TECHNICAL DATA

Length	150 cm / 60"
Height	125 cm / 49,2"
Width	90 cm / 36"
Weight	71 kg / 156 lbs
Running surface length	135 cm / 54"
Running surface width	44 cm / 17,6"
Speed	1.5 -16 km/h / 1-10 mph
Elevation range	0 - 10 %
Meter	Distance Elevation Pulse (optional) Time Pace Speed Energy consumption LED display
	5 preprogrammed workouts, 1 user programme
Motor	1,5 HP
Drive system	Drive belt
Structural frame	Welded steel, powder coated
Maximum user weight	110 kg

All TUNTURI models are designed to meet the electro-magnetic compatibility directive, EMC and are affixed with the CE conformity marking.

All TUNTURI treadmills meet DIN accuracy and safety norms (DIN 32933-1+3).

Due to our continuous programme of product development we reserve the right to change specifications without notice.

SICHERHEITSHINWEISE

VOR MONTAGE, BENUTZUNG UND WARTUNG DIE GESAMTE GEBRAUCHSANWEISUNG GENAU DURCHLESEN. ES IST WICHTIG, DASS DIE ANGEGEBENEN HINWEISE BEACHTET WERDEN.

IHR NEUER LAUFBANDTRAINER WURDE SPEZIELL FÜR DAS HEIMTRAINING ENTWICKELT. SOWOHL TUNTURI, ALS AUCH SEINE INTERNATIONALEN VERTRETUNGEN ÜBERNEHMEN KEINE HAFTUNG FÜR VERLETZUNGEN ODER GERÄTESCHÄDEN, DIE SICH BEI DAUEREINSATZ IN GEWERBLICHEN FITNESS-CENTERN UND VERGLEICHBAREN EINRICHTUNGEN ERGEBEN. ZUR BEACHTUNG! FÜR SCHÄDEN, DIE DURCH MISSACHTUNG DER IN DIESEM HANDBUCH BESCHRIEBENEN EINSTELLUNGS- UND WARTUNGSHINWEISE ENTSTEHEN, BESTEHT KEIN GARANTIE-ANSPRUCH!

Vor Anschluß des Gerätes ans Netz sicherstellen, daß die Netzspannungen von Gerät und Stromnetz übereinstimmen. Der Laufbandtrainer kann mit einer Netzspannung von 230 V oder 115 V betrieben werden. Beachten Sie, daß die Leistungsaufnahme des Gerätes maximal 10 A bzw. 20 A betragen kann. Das Gerät nur an geerdete Schukosteckdosen anschließen und zum Anschluß kein Verlängerungskabel verwenden. Schwankungen in der Netzspannung von mehr als 5 Prozent können zu Fehlfunktionen des Gerätes führen und die Elektronik beschädigen. Die Garantie erlischt, wenn das Gerät nicht diesen Anleitungen entsprechend angeschlossen wird.

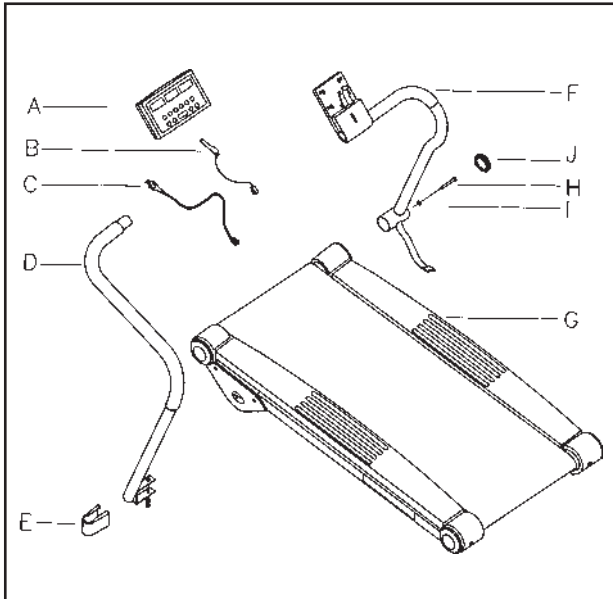
- * Vor Beginn eines Trainingsprogrammes sicherstellen, daß das Gerät völlig intakt ist. Auf keinen Fall mit einem fehlerhaften Gerät trainieren.
- * **Keine anderen als die in dieser Gebrauchsanweisung beschriebenen Wartungsmaßnahmen und Einstellungen vornehmen. Die angegebenen Wartungsanweisungen sind einzuhalten.**
- * Das Gerät nie benutzen, wenn die Handläufe oder Abdeckungen nicht ordnungsgemäß angebracht sind.
- * Vor Montage- und Reparaturarbeiten das Gerät ausschalten und den Netzstecker ziehen.
- * Nach jedem Training den Netzstecker ziehen.
- * Zum Bewegen des Gerätes nie am Netzstecker ziehen.
- * Das Gerät nur in Innenräumen benutzen. Für feuchte Räume nicht geeignet.
- * Das Gerät auf möglichst ebenen Untergrund stellen. Bei der Platzierung des Gerätes darauf achten, daß der Bereich neben und vor (mindestens 60 cm) und hinter (mindestens 120 cm) dem Laufbandtrainer frei ist.
- * Aufgrund des natürlichen Spieltriebes und der Experimentierfreudigkeit der Kinder können Situationen und Verhaltensweisen entstehen, für die das Trainingsgerät weder gebaut, noch abgesichert ist und die eine Verantwortung des Herstellers ausschließen. Wenn Sie trotzdem Kinder an das Trainingsgerät lassen, müssen Sie deshalb deren geistige und körperliche Entwicklung und vor allem deren Temperament berücksichtigen, sie gegebenenfalls beaufsichtigen und sie vor allem auf die richtige Benutzung des Gerätes hinweisen. Als Spielzeug ist das Gerät auf keinen Fall geeignet.
- * Modifikationen an Steckdosen und Netzkabel dürfen nur von Fachkräften durchgeführt werden, die mit der Wartung von elektromechanischen Geräten vertraut sind und im betreffenden Land eine gültige Genehmigung für die Durchführung derartiger Wartungs- und Reparaturarbeiten haben.
- * Die Laufplatte unter keinen Umständen mit Silikon behandeln.
- * Machen Sie sich vor dem Training mit den Einstellungen, der Tastatur und der Anzeige vertraut.

NICHT VERGESSEN

- * **Vor Beginn eines Trainingsprogrammes einen Arzt konsultieren.**
- * Bei Übelkeit, Schwindelgefühl oder anderen anomalen Symptomen das Training sofort abbrechen und unverzüglich den Arzt konsultieren.
- * Das Gerät sollte grundsätzlich nur von einer Person benutzt werden.
- * Zum Auf- und Absteigen und zum Ändern der Laufbandgeschwindigkeit immer an den Handläufen festhalten. Nie vom laufenden Laufband abspringen!
- * Nie die Hände in die Nähe von beweglichen Teilen bringen. Den Raum unter dem Gerät freihalten und weder Hände, Füße noch fremde Gegenstände unter das Gerät bringen.
- * Zur Benutzung des Gerätes stets angemessene Kleidung und Schuhwerk tragen. Darauf achten, daß beim Training die Schnürsenkel richtig gebunden sind. Wenn möglich, nur für das Training in Innenräumen vorgesehene Sportschuhe tragen. Von Straßenschuhwerk abfallende Sandkörner und kleine Steine können das Laufband unnötig verschleifen oder zu sonstigen Beschädigungen führen.
- * **Der Laufbandtrainer ist mit einem Sicherheitsschlüssel ausgestattet. Das Laufband bleibt automatisch stehen, sobald der Sicherheitsschlüssel nicht mehr im Schloß am Elektronikanzeigenhalter steckt. Darauf achten, daß die Schnur des Sicherheitsschlüssels mit Hilfe des Clips an der Kleidung (z. B. an Kragen oder Brusttasche) befestigt ist, damit im Notfall der Sicherheitsschlüssel automatisch aus dem Schloß herausgezogen wird und das Laufband somit unverzüglich stehenbleibt.**
- * Zur Vermeidung von Muskelkater, das Auf- und Abwärmtraining (langsames Jogging oder Gehen) sowie die Dehnübungen nicht vergessen.
- * Das Gerät ist nicht für Personen mit einem Körpergewicht von mehr als 110 kg geeignet.
- * Die in dieser Montage- und Betriebsanleitung enthaltenen Angaben wurden unter größtmöglicher Sorgfalt und nach unserem besten Wissen angefertigt. Dennoch möchten wir darauf hinweisen, daß die Verwendung dieser Angaben bei der Montage, im Einsatz oder bei der Wartung auf eigene Verantwortung geschieht.

1. MONTAGE

Sicherstellen, daß folgende Teile des Laufbandtrainers geliefert wurden:



- A Elektronikanzeige
- B Sicherheitsschlüssel mit Schnur und Clip
(+ 1 Ersatzschlüssel)
- C Netzkabel
- D Linker Handlauf
- E Abdeckkappe für Handlaufbefestigung
- F Rechter Handlauf mit Halter für die Elektronikanzeige
- G Rahmen
- Montagezubehör und Werkzeugsatz mit:
- H 2 St M8 x 80 mm Inbusschrauben
- I 2 St Unterlegscheiben
- J 1 St weiße Kunststoffkappe
6 mm Inbusschlüssel
10/11 Gabelschlüssel

Sollte Ihr Gerät unvollständig sein, wenden Sie sich bitte unter Angabe des Modells (J 660), der Seriennummer und Nummer des fehlenden Teils an Ihren TUNTURI-Händler. Die Ersatzteilnummer geht aus der Ersatzteilliste am Ende dieser Betriebsanleitung hervor.

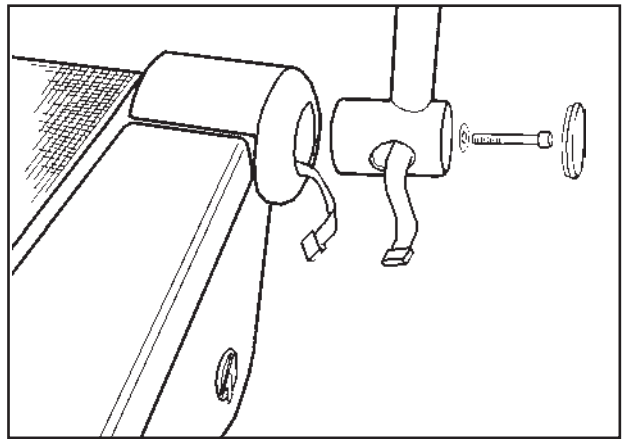
Alle Teile auspacken und wie folgt zusammenbauen. Die Beschreibung der Lage von Teilen (rechts, links, vorne, hinten) geht von der Blickrichtung beim Training aus:

1.1. MONTAGE DES HANDLAUFS

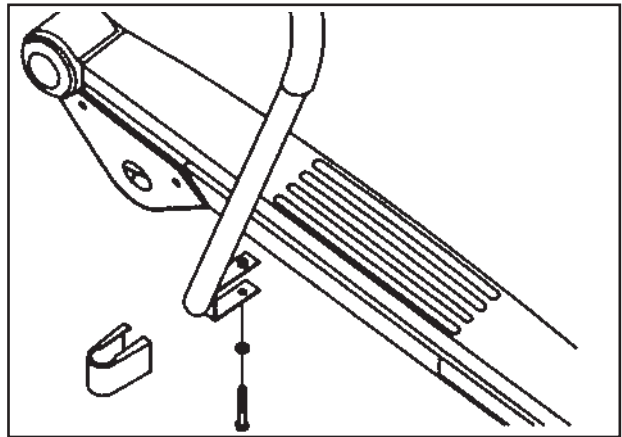
ACHTUNG! Alle Schrauben erst festziehen, wenn die beiden Handläufe fertig montiert sind.

Die Silikatbeutel am unteren Ende des rechten Handlaufs entfernen und vernichten. Diese Beutel sollen Feuchtigkeit während Transport und Aufbewahrung aufnehmen.

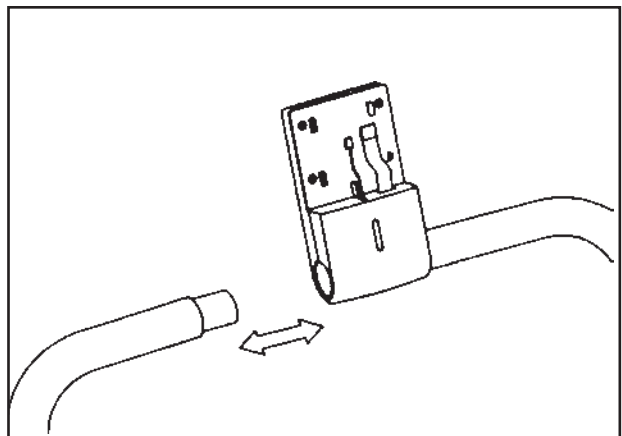
Das Flachkabel aus der rechten Seitenabdeckung ziehen, das rechte Handlaufrohr rechts bei der vorderen Laufrolle platzieren und mit einer Inbusschraube und Unterlegscheibe befestigen. **ACHTUNG! Das Flachkabel soll sich zwischen Seitenabdeckung und Handlaufrohr befinden. Bitte darauf achten, daß es nicht eingeklemmt oder auf andere Weise beschädigt wird.** Die weiße Kunststoffkappe auf das untere Ende des Handlaufrohrs drücken.



Das untere Ende des linken Handlaufrohrs mit einer Inbusschraube und Unterlegscheibe an der seitlich am Rahmen befindlichen Schiene befestigen. Falls nötig, das Laufband auf die Seite legen. Abdeckkappe für Handlaufbefestigung auf das untere Ende des Handlaufs setzen und festdrücken.



Das obere Ende des linken Handlaufs in den am rechten Handlauf befindlichen Halter für die Elektronikanzeige stecken.



Die beiden oberen Handlaufenden gegeneinanderdrücken, bis sie einander berühren. Dann Sicherungsschrauben am Halter festziehen.

Sicherstellen, daß das im Handlauf befindliche Flachkabel während des Zusammensteckens der Handläufe bzw. des Festziehens der Schrauben nicht eingeklemmt wird.

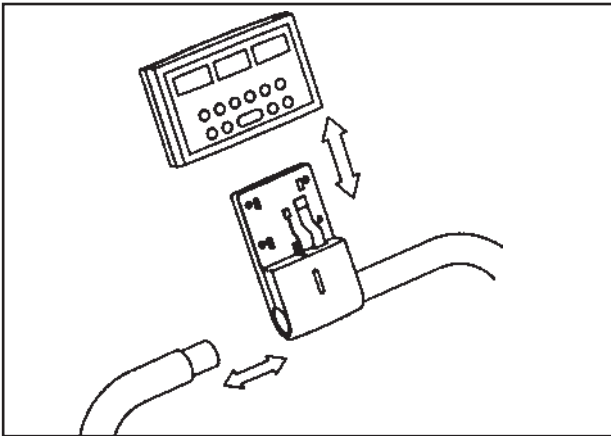
Die Befestigungsschrauben der beiden Handläufe festziehen.

1.2. MONTAGE DER ELEKTRONIKANZEIGE

Die am Elektronikanzeigenhalter befindlichen Kabel (Elektronikkabel und Herzfrequenzmeßkabel) in die Buchsen an der Elektronikanzeige einstecken. Die überstehenden Kabel in den Halter schieben. Die Elektronikanzeige vorsichtig auf den Halter stecken.

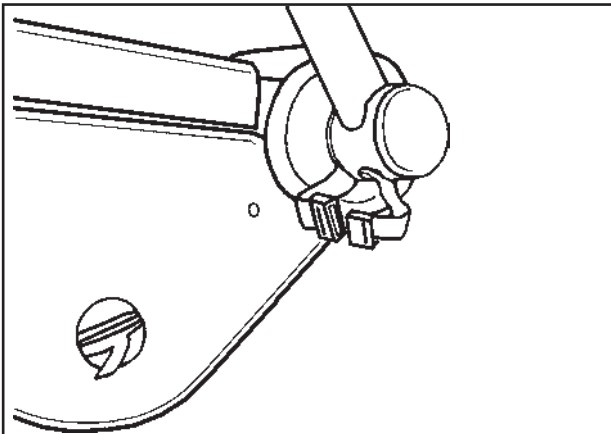
Dabei sicherstellen, daß die Kabel nicht eingeklemmt werden.

Zum Schluß die Schutzfolie von der Tastatur abziehen.



1.3. ANSCHLIESSEN DES ELEKTRONIKANZEIGENKABELS

Das vom rechten Handlauf kommende Flachkabel mit dem aus der Seitenabdeckung vorne rechts kommenden Flachkabel verbinden. Das Kabel so in das Handlaufrohr einführen, daß es nicht beschädigt wird.

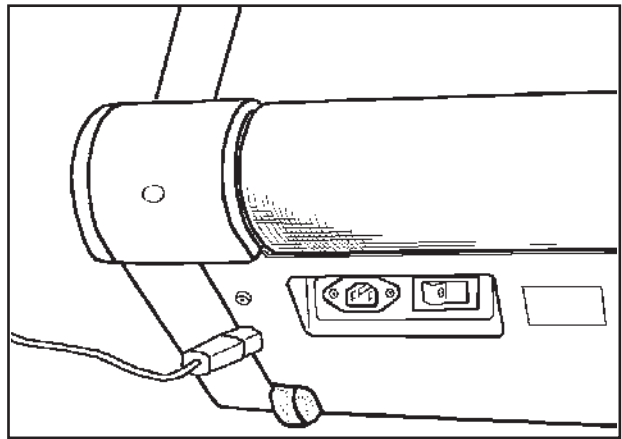


1.4. NETZANSCHLUSS

Das Netzkabel in die vorne rechts am Laufbandtrainer neben dem Netzschalter befindliche Buchse einstecken.

Vor Anschluß des Gerätes ans Netz sicherstellen, daß die Netzspannungen von Gerät und Stromnetz übereinstimmen.

ACHTUNG! Das gebrauchsfertig montierte Laufband muß vor der Inbetriebnahme unbedingt sorgfältig mit dem mitgelieferten Teflon behandelt werden (vgl. 4.3. PFLEGE DER LAUFPLATTE).



2. BETRIEB

Sicherstellen, daß das Netzkabel sowohl an der Steckdose, als auch an der Buchse am Laufbandtrainer ordnungsgemäß angeschlossen ist. Das Gerät am Netzschalter am rechten vorderen Ende des Laufbandtrainers einschalten.

Nach dem Einschalten wird der Gerätetyp (Tunturi J 660) angezeigt und das Gerät geht nach zwei Tonsignalen auf die Funktion "Einstellung des Körpergewichtes" über.

2.1. VERWENDUNG DES SICHERHEITSSCHLÜSSELS

Das J 660 ist mit einem Sicherheitsschlüssel ausgestattet. Das Laufband bleibt automatisch stehen, sobald der Sicherheitsschlüssel nicht mehr im Schloß am Elektronikanzeigenhalter steckt.

Die Schnur des Sicherheitsschlüssels mit Hilfe des Clips an der Kleidung (z. B. an Kragen oder Brusttasche) befestigen und den Sicherheitsschlüssel ins Schloß stecken.

HINWEIS! Laufbandtrainer und Elektronikanzeige funktionieren nur, wenn der Sicherheitsschlüssel ordnungsgemäß im Schloß steckt. Wenn nicht, wird der Text "teth" in der Anzeige angezeigt.

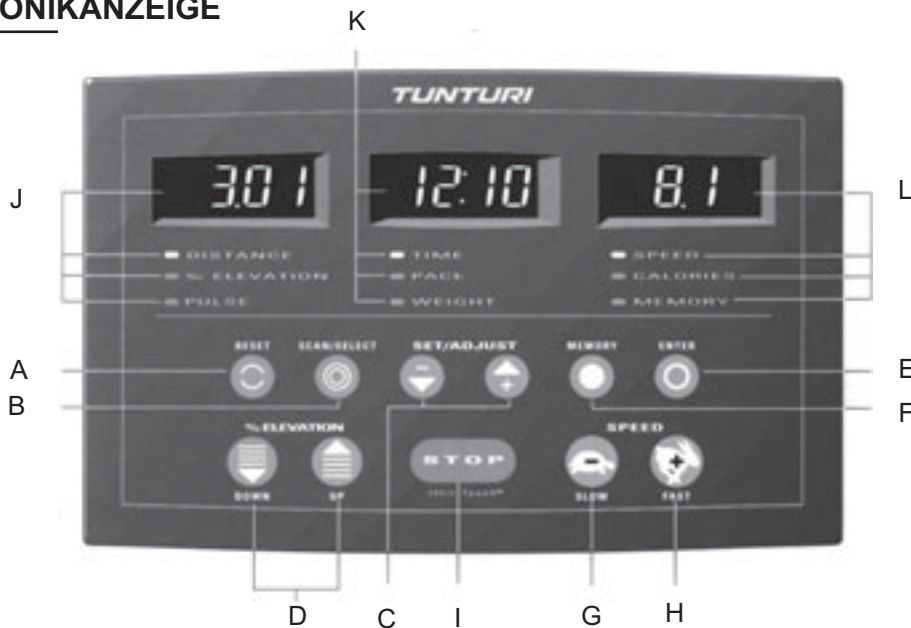
2.2. TRAINIEREN

Trainieren mit dem J 660 ist eine ausgezeichnete aerobe Trainingsform, d. h. das Training ist zwar leicht, erfordert aber eine lange Trainingsdauer. **Das Training sollte aus mindestens drei 30-minütigen Einheiten pro Woche bestehen. So wird eine Grundkondition erreicht.** Ist die Grundkondition erreicht, kann diese leicht durch Erhöhen der Trainingsfrequenz verbessert werden.

Körperliche Betätigung ist ein wichtiges Hilfsmittel zur Reduzierung des Körpergewichtes, denn Training ist das einzige Mittel, den Energieverbrauch des Körpers zu erhöhen. Dabei ist es neben einer kalorienarmen Diät wichtig, regelmäßig zu trainieren. Die tägliche Trainingszeit sollte am Anfang 30 Minuten entweder auf einmal oder in kleineren Intervallen betragen und sollte langsam auf 60 Minuten erhöht werden. Eine große Anstrengung bei einem hohen Körpergewicht kann zu einer gefährlichen Belastung des Herzens und des Kreislaufs führen.

Die Trainingseffizienz kann mit Hilfe der Pulsfrequenz abgeschätzt werden. Mit dem J 660 können Sie Ihre Pulsfrequenz beobachten und sicherstellen, daß das Training effektiv genug aber nicht zu anstrengend ist (s. 2.13. HERZFREQUENZMESSUNG).

2.3. ELEKTRONIKANZEIGE



2.3.1. TASTATUR

- (A) RESET-TASTE**
Während des Laufbandbetriebes dient die RESET-Taste zum Zurücksetzen der Werte für abgelaufene Zeit, zurückgelegte Strecke und verbrauchte Energie. Während des Laufbandstillstandes dient die RESET-Taste zur Eingabe des Körpergewichtes. Zum Bestätigen des neuen Wertes oder zur Übernahme des Standardwertes ENTER drücken. Danach mit dem nächsten Schritt fortfahren.
- (B) SCAN/SELECT**
Zum Ein- und Ausschalten des automatischen Anzeigenwechsels und zum Anwählen einer bestimmten Anzeige.
- (C) PFEILTASTEN (SET/ADJUST)**
Zum Erhöhen und Reduzieren des Körpergewichtes in kg oder lbs. Dieser Wert wird für die Berechnung des Energieverbrauchs benötigt. Außerdem können die Pfeiltasten zur Einstellung der Anwenderoptionen (s. 2.4. ANWENDEROPTIONEN) verwendet werden.
- (D) PFEILTASTEN (UP- und DOWN) - (Steigung)**
Die UP-Taste dient zum Erhöhen der Steigung in 1 %-Intervallen. Der hintere Teil des Gerätes wird dadurch langsam abgesenkt und die Steigung wird größer. Die DOWN-Taste dient zum Reduzieren der Steigung in 1 %-Intervallen. Der hintere Teil des Gerätes wird dadurch langsam angehoben und die Steigung wird kleiner.
- (E) ENTER**
Zum Bestätigen des eingegebenen Körpergewichtes und zum Bestätigen in der Betriebsart ANWENDEROPTIONEN.
- (F) SPEICHER (MEMORY)**
Die MEMORY-Taste dient zum Abspeichern und Starten des selbst erstellten oder eines der fünf vorprogrammierten Trainingsprogramme.
- (G) SCHILDKRÖTENTASTE (SPEED/SLOW)**
Zum Reduzieren der Laufgeschwindigkeit in 0,1 km/h-Intervallen (bzw. 0,1 mph).
- (H) HASENTASTE (SPEED/FAST)**
Zum Erhöhen der Laufgeschwindigkeit in 0,1 km/h-Intervallen (bzw. 0,1 mph).
- (I) STOP-TASTE**
Zum Anhalten des Laufbandes (1 mal drücken). Die Trainingswerte sowie zuletzt eingestellte Trainingsgeschwindigkeit und Steigung werden, je nach Vorprogrammierung (s. 2.4. ANWENDEROPTIONEN), 1 - 5 Minuten gespeichert. Innerhalb dieser Zeit kann

das Training mit den bis dahin gespeicherten Werten fortgesetzt werden. Nach erneutem Drücken der STOP-Taste oder nach Ablauf der vorprogrammierten Speicherzeit zeigt die Anzeige zwar weiterhin die erzielten Trainingswerte an, das Training kann aber nicht mehr von diesen Werten ausgehend fortgesetzt werden.

2.3.2. FUNKTIONEN UND ANZEIGEN

Durch die Leuchtdioden neben den Funktionstexten wird angezeigt, welche Funktion jeweils aktiviert ist.

DISTANCE (Trainingsstrecke)

Zur Anzeige der zurückgelegten Trainingsstrecke in Kilometern (00.0-99.9) oder in Meilen.

% ELEVATION (Steigung)

Zur Anzeige der eingestellten Steigung 0-10 %.

PULSE (Herzfrequenz) - erfordert Zusatzausrüstung

Zur Anzeige der Herzfrequenz (s. 2.14. HERZFREQUENZMESSUNG).

TIME (Trainingszeit)

Abgelaufene Trainingszeit in Minuten und Sekunden (00:00 - 99:59) in 1-Sekunden-Intervallen.

PACE (Zeit pro Kilometer bzw. Meile)

Zur Anzeige der zum Zurücklegen eines Kilometers bzw. einer Meile erforderlichen Zeit. Der Wert wird aufgrund der eingestellten Geschwindigkeit berechnet.

WEIGHT (Körpergewicht)

Zur Anzeige des vorprogrammierten Körpergewichtes (max. 110 kg).

SPEED (Geschwindigkeit)

Zur Anzeige der Laufbandgeschwindigkeit in Kilometern pro Stunde (1,5 - 16,0 km/h) bzw. Meilen pro Stunde (1 - 10 mph).

CALORIES (Energieverbrauch)

Zur Anzeige des geschätzten Energieverbrauchs während des Trainings in Kilokalorien (0-999 kcal). Der Energieverbrauch wird anhand von Körpergewicht, Trainingszeit, Trainingsgeschwindigkeit und Steigung ermittelt. Da die Menschen jedoch unterschiedliche Fähigkeiten haben, Energie zu produzieren (sog. Wirkungsgrad), kann der angezeigte Energieverbrauch zwangsläufig nur ein Durchschnittswert sein.

MEMORY (Speicher)

Die Leuchtdiode leuchtet auf, wenn das selbst erstellte oder eines der fünf vorprogrammierten Trainingsprogramme gestartet wurde.

2.4. ANWENDEROPTIONEN

Die Betriebsart ANWENDEROPTIONEN dient zur Auswahl folgender Optionen: metrische (km, km/h und kg) oder englische (Meile, mph und lbs) Maße, Warnton ein/aus, Speichersicherung ein und aus, Einstellung der Zeit, nach welcher die erzielten Trainingswerte gelöscht werden. Innerhalb dieser Zeit kann das Training mit den bis dahin gespeicherten Werten fortgesetzt werden.

1. Mit den Pfeiltasten die Funktion KÖRPERGEWICHT anwählen. Danach gleichzeitig die STOP- und SCAN/SELECT-Tasten drücken.
2. In der Anzeige erscheint der Text "EngL" (= englische Maße) oder "ISo" (= metrische Maße). Zur Auswahl die Pfeiltasten benutzen.
3. Noch einmal auf SCAN/SELECT drücken. In der Anzeige erscheint der Text "Aud 1" (= Warnton ein) oder "Aud 0" (= Warnton aus). Zur Auswahl die Pfeiltasten benutzen.
4. Noch einmal auf SCAN/SELECT drücken. In der Anzeige erscheint der Text "to 1", "to 2", "to 3", "to 4" oder "to 5" (= timeout = Zeitsperre zum Löschen des Betriebsspeichers). Zur Auswahl die Pfeiltasten benutzen. Ist "to 4" vorprogrammiert, kann das Training innerhalb von 4 Minuten mit den bis dahin gespeicherten Werten fortgesetzt werden.
5. Noch einmal auf SCAN/SELECT drücken. In der Anzeige erscheint der Text "PEnb" (= Speicher kann beschrieben werden) oder "PdIS" (= Speicher kann nicht beschrieben werden). Bei "PdIS" können die selbst erstellten Programme nicht abgespeichert werden. Zur Auswahl die Pfeiltasten benutzen.
6. Zum Schluß ENTER drücken, wonach die Funktion KÖRPERGEWICHT wieder aktiviert wird.

2.5. EINSTELLUNG DES KÖRPERGEWICHTES

Nach dem Einschalten wird der Gerätetyp (Tunturi J 660) angezeigt und das Gerät geht nach zwei Tonsignalen auf die Funktion "Einstellung des Körpergewichtes" über.

1. Die Leuchtdiode neben dem Text WEIGHT blinkt und die Anzeige gibt das zuletzt eingegebene Körpergewicht an.
2. Mit den Pfeiltasten das eigene Körpergewicht in kg oder lbs eingeben (vgl. ANWENDEROPTIONEN).
3. Zum Bestätigen des neuen Wertes ENTER drücken.
4. Danach leuchtet die Leuchtdiode neben dem Text SPEED, und die Anzeige zeigt eine Geschwindigkeit von "0.0" an.

2.6. TRAINING BEGINNEN

Zum Auf- und Absteigen und bei der Bedienung der Tastatur immer an den Handläufen festhalten. Nie vom laufenden Laufband abspringen!

Mit gegrätschten Beinen auf die Seitenränder des Laufbandtrainers stellen. Das Gerät nicht auf dem Laufband stehend in Bewegung setzen.

2.7. ANWÄHLEN DER MANUELLEN BETRIEBSART BZW. AUFRUFEN VORPROGRAMMIERTER TRAININGSPROGRAMME

2.7.1. ANWÄHLEN DER MANUELLEN BETRIEBSART

Soll ohne vorprogrammiertes Trainingsprogramm trainiert werden, das Laufband durch Drücken der HASENTASTE (SPEED/FAST) in Bewegung setzen. Danach dreht sich das Laufband mit einer Geschwindigkeit von 1,5 km/h (bzw. 1,0 mph). An den Handläufen festhalten und auf das Laufband treten. Nach Bedarf durch erneutes Drücken der HASENTASTE (SPEED/FAST) die Geschwindigkeit erhöhen, bis die gewünschte Laufgeschwindigkeit erreicht ist. Zur Reduzierung der Laufgeschwindigkeit die SCHILDKRÖTENTASTE (SPEED/SLOW) drücken.

ACHTUNG! Nicht auf das Laufband steigen, wenn dessen Geschwindigkeit größer ist als 1,5 km/h (bzw. 1,0 mph).

Zur Erhöhung/Reduzierung der Steigung die UP- und DOWN-Tasten drücken. Durch Drücken der UP-Taste wird der hintere Teil des Gerätes in Intervallen von 1 Prozent abgesenkt und die Steigung wird größer. Durch Drücken der DOWN-Taste wird die Steigung entsprechend reduziert.

2.7.2. AUFRUFEN VORPROGRAMMIERTER TRAININGSPROGRAMME

Zum Aufrufen vorprogrammierter Trainingsprogramme (selbst erstellte - sofern vorhanden - oder werksseitig programmierte) die MEMORY-Taste drücken. Zur Auswahl die Pfeiltasten (SET/ADJUST) benutzen. Zum Bestätigen ENTER-Taste drücken.

Danach mit den Pfeiltasten (SET/ADJUST) die Leistungsstufe wählen: **IL 1 = Anfänger, IL 2 = durchschnittliche Kond., IL 3 = überdurchschnittliche Kond., IL 4 = Fitnesportler und IL 5 = Leistungssportler.** Zum Bestätigen ENTER-Taste drücken.

Die HASENTASTE (SPEED/FAST) drücken. Danach beginnt das Laufband sich zu drehen. Die Elektronikanzeige meldet sich 15 Sekunden vor der Veränderung der Geschwindigkeit oder der Steigung mit einem Tonzeichen.

2.8. SCAN (ANZEIGENWECHSEL)

Der automatische Anzeigenwechsel im 3-Sekunden-Takt wird mit Hilfe der SCAN/SELECT-Taste aktiviert. Ist die Funktion eingeschaltet, werden die verschiedenen Trai-

ningswerte automatisch nacheinander angezeigt. **HINWEIS!** Die Elektronikanzeige kann Ihren Puls nur anzeigen, wenn der Elektrodengurt ordnungsgemäß angelegt ist (s. 2.13. HERZFREQUENZMESSUNG). Zum Ausschalten der Funktion die SCAN/SELECT-Taste erneut drücken. Nach dem Ausschalten der Funktion erscheint in der Anzeige der zuletzt angezeigte Trainingswert.

2.9. TRAINING UNTERBRECHEN

Für eine kurzfristige Unterbrechung des Trainings das Laufband durch Drücken der STOP-Taste anhalten.

Die Trainingswerte sowie zuletzt eingestellte Trainingsgeschwindigkeit und Steigung werden, je nach Vorprogrammierung (s. 2.4. ANWENDEROPTIONEN), 1 - 5 Minuten gespeichert. Innerhalb dieser Zeit kann das Training mit den bis dahin gespeicherten Werten fortgesetzt werden. Zum Fortsetzen die HASEN-Taste drücken. Das Training geht danach mit der gleichen Geschwindigkeit weiter wie vor der Unterbrechung. Dasselbe gilt für Trainingszeit, Trainingsstrecke und Energieverbrauch.

Nach Ablauf der vorprogrammierten Speicherzeit zeigt die Anzeige zwar weiterhin die erzielten Trainingswerte an, das Training kann aber nicht mehr von diesen Werten ausgehend fortgesetzt werden. Zum Zurücksetzen der Werte auf Null die RESET- oder ENTER-Taste drücken.

HINWEIS! Wird der Sicherheitsschlüssel während der Unterbrechung abgezogen, kann das Training nicht mehr von den vor der Unterbrechung gültigen Werten ausgehend fortgesetzt werden.

2.10. TRAINING BEENDEN

Das Laufband kann auf verschiedene Arten angehalten werden:

1. STOP-Taste drücken.
2. Sicherheitsschlüssel abziehen.
3. Trainingsgeschwindigkeit mit der SCHILD-KRÖTENTASTE auf 0.0 km/h bzw. mph einstellen.
4. Beendigung des vorprogrammierten Trainingsprogrammes.

HINWEIS!

Zur Vermeidung von Muskelkater Abwärmtraining (langames Jogging oder Gehen) und Dehnübungen nicht vergessen.

Das Gerät am Netzschalter am vorderen Ende des Laufbandtrainers ausschalten.

Nach Beendigung des Trainings immer den Sicherheitsschlüssel abziehen.

Das Netzkabel sowohl aus der Steckdose als auch aus der Buchse am Laufbandtrainer ziehen und an einem sicheren Ort, vor Kinderhand geschützt, aufbewahren.

Das Gerät mit einem etwas feuchten Wischtuch von Schweiß befreien. Keine Lösungsmittel verwenden!

2.11. VORPROGRAMMIERTE TRAININGSPROGRAMME

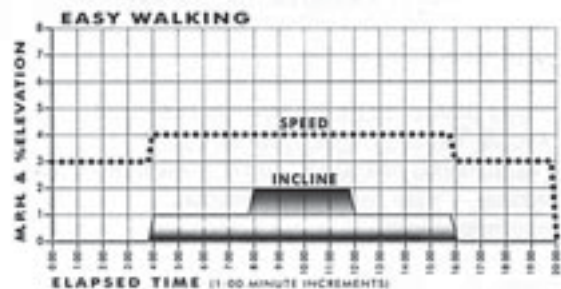
Mit dem Laufbandtrainer J 660 können Sie auf fünf vorprogrammierte Trainingsprogramme zurückgreifen. Darüber hinaus können Sie Ihr ganz persönliches, selbst erstelltes Trainingsprogramm (max. 1) abspeichern (s. 2.12. SPEICHERN UND AUFRUFEN EINES VORPROGRAMMIERTEN TRAININGSPROGRAMMES).

Innerhalb der vorprogrammierten Trainingsprogramme können Sie unter fünf Leistungsstufen auswählen. Eine Ausnahme bildet das LEICHTE GEHEN, für das nur drei Leistungsstufen zur Verfügung stehen.

Je nach Kondition können Trainingsgeschwindigkeit und/oder Steigung auch während eines vorprogrammierten Trainingsprogrammes verändert werden.

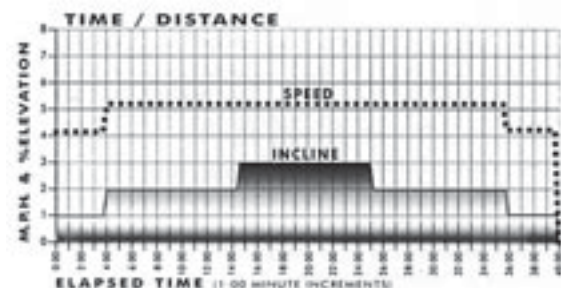
TRAININGSPROGRAMM 1: LEICHTES GEHEN

Dieses Trainingsprogramm eignet sich besonders zum Auf- und Abwärmen. Das Programm benutzt eine relativ geringe Geschwindigkeit und Steigung. Innerhalb des Trainingsprogrammes können Sie unter drei Leistungsstufen auswählen. Das Trainingsprogramm dauert je nach Leistungsstufe 15, 20 bzw. 25 Minuten.



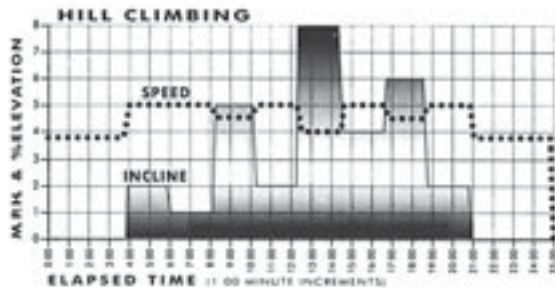
TRAININGSPROGRAMM 2: KONDITIONSPROGRAMM

Dieses Trainingsprogramm eignet sich zur Stärkung des Herz-Kreislaufsystems und der Muskulatur und zur Aufrechterhaltung der Kondition. Es dauert je nach Leistungsstufe 20-40 Minuten.



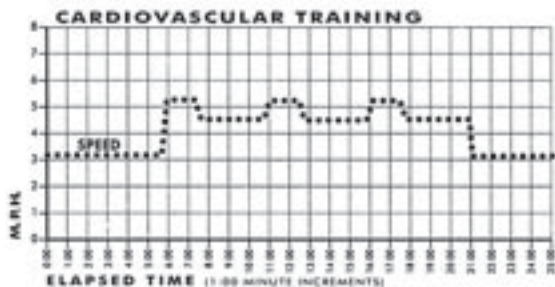
TRAININGSPROGRAMM 3: BERGAUF-PROGRAMM

Dieses Trainingsprogramm, bei dem bei relativ konstanter Geschwindigkeit große Unterschiede in der Steigung auftreten, eignet sich zur Stärkung des Herz-Kreislaufsystems und zur Verbesserung der Sauerstoffaufnahme-fähigkeit. Es dauert je nach Leistungsstufe 15-35 Minuten.



TRAININGSPROGRAMM 4: KONDITIONSVERBESSERUNGSPROGRAMM

Dieses Trainingsprogramm basiert auf den Prinzipien des Intervalltrainings. Während des Trainingsprogrammes soll der Puls bis auf 85 Prozent des Maximalpulses steigen. Danach folgt eine Regenerationsphase, in der der Puls wieder zurückgeht. Dieses Trainingsprogramm eignet sich zur Verbesserung der allgemeinen Kondition und Ausdauer und dauert je nach Leistungsstufe 15-35 Minuten.

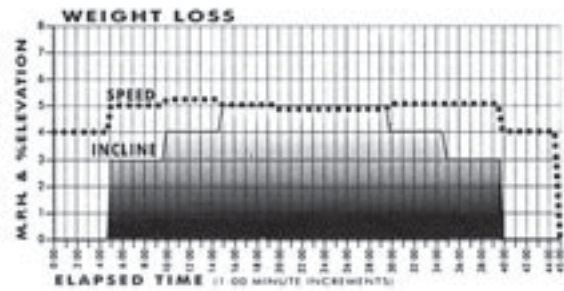


TRAININGSPROGRAMM 5: SCHLANKHEITSPROGRAMM

Dieses Trainingsprogramm ist für Trainierende vorgesehen, die abnehmen oder ihr Körpergewicht halten möchten. Anfänger sollten zu große Belastungen vermeiden. Deshalb wird empfohlen, mit der niedrigsten Leistungsstufe zu beginnen und diese erst nach mehreren Wochen regelmäßigen Trainings zu erhöhen, nachdem sich der Körper an den neuen Rhythmus gewöhnt und der Stoffwechsel sich angepaßt hat. Das Trainingsprogramm dauert je nach Leistungsstufe 25-40 Minuten. Um abzunehmen, muß der Körper mehr Energie verbrauchen als ihm zugeführt wird. Es gilt also, die körperlichen Aktivitäten zu steigern oder die in Form von Speisen und Getränken zugeführte Energie zu reduzieren.

Zu Beginn des Trainings kann die Gewichtsabnahme sehr langsam voranschreiten, da der Körper bei der Verbrennung von Fett Flüssigkeit bindet. Diese zusätzliche Flüssigkeit wird aber schließlich normal ausgeschieden, wenn sich der Körper an den neuen Rhythmus gewöhnt und der Stoffwechsel sich angepaßt hat.

Auf der Waage sollte man nicht vergessen, daß Muskeln zwar mehr wiegen als Fett, aber dafür ein geringeres Volumen haben.



2.12. SPEICHERN UND AUFRUFEN EINES VORPROGRAMMIERTEN TRAININGSPROGRAMMES

Bei Bedarf kann nach Beendigung eines Trainingsprogrammes der Trainingsverlauf abgespeichert werden (bei J 660 max. 1 Trainingsprogramm).

1. Nach der Eingabe des Körpergewichts und Bestätigung mit ENTER die MEMORY-Taste drücken.
2. Ist bereits ein selbst erstelltes Trainingsprogramm abgespeichert, erscheint in der Anzeige zunächst USr 1. Zum Bestätigen ENTER drücken. Mit den Pfeiltasten (SET/ADJUST) das gewünschte Programm (Pro 1, Pro 2 usw.) anwählen.
3. Danach mit den Pfeiltasten (SET/ADJUST) die Leistungsstufe (IL 1, IL 2 usw.) wählen. Zum Bestätigen ENTER-Taste drücken.
4. Mit dem Training beginnen. Trainingsgeschwindigkeit und Steigung können bei Bedarf während des Trainings geändert werden.
5. Nach Ablauf des Trainingsprogrammes bzw. zur Beendigung des Trainings die STOP-Taste drücken (zum Unterbrechen des laufenden Trainingsprogrammes STOP-Taste 2 mal drücken).
6. In der Anzeige wird der Text "Save no" angezeigt. Zum Abspeichern eines neuen Trainingsprogrammes bzw. eines modifizierten Trainingsprogrammes eine der beiden Pfeiltasten (SET/ADJUST) drücken. Danach wird in der Anzeige der Text "Save yes" angezeigt. Zum Bestätigen ENTER drücken.
7. Das Trainingsprogramm ist jetzt gespeichert.

2.13. HERZFREQUENZMESSUNG

Als zuverlässigste Art der Herzfrequenzmessung hat sich die drahtlose Messung erwiesen, bei der die Herzschläge mit einem Elektrodengurt von der Brust abgenommen werden. Vom Gurt werden die Impulse danach über ein elektromagnetisches Feld an den Empfänger in der Elektronik-anzeige übertragen.

Der für die Übertragung notwendige Brustgurt ist bei dem Modell J 660 als Zubehör erhältlich. Der Brustgurt ist kompatibel mit meisten Herzfrequenzmeßgeräten von Polar. Für weitere Informationen über drahtlose Herzfrequenzmessung wenden Sie sich bitte an Ihren Fachhändler.

2.13.1. DRAHTLOSE HERZFREQUENZMESSUNG

ACHTUNG! FALLS SIE EINEN HERZSCHRITTMACHER HABEN, DÜRFEN SIE DEN PULSSENDER NUR MIT EINEM ÄRZTLICHEN GUTACHTEN VERWENDEN!

Zur drahtlosen Herzfrequenzmessung während des Trainings die gegen die Haut kommenden Elektroden am Elektrodengurt sorgfältig mit Wasser oder Speichel anfeuchten.

Den Sender mit Hilfe des Gurtes fest unterhalb der Brustmuskulatur befestigen und darauf achten, daß der Gurt beim Training nicht verrutscht. Wird der Elektrodengurt über einem dünnen Hemd getragen, sind die gegen die Elektroden gerichteten Flächen ebenfalls zu befeuchten. Den Elektrodengurt jedoch nicht so festziehen, daß z. B. die Atmung erschwert wird.

HINWEIS! Bei trockenen Elektroden wird kein Herzfrequenzwert angezeigt. Ggf. Elektroden wieder anfeuchten. Beachten Sie, daß die Elektroden für eine zuverlässige Herzfrequenzmessung auf Körpertemperatur angewärmt sein müssen.

Der Sender kann den Herzfrequenzwert bis zu einer Entfernung von zirka 1 m an den Empfänger übertragen. Die Herzfrequenz ist in der Anzeige, wenn die Leuchtdiode neben dem Text PULSE aufleuchtet. Die Signallampe blinkt in Herzfrequenz.

HINWEIS! Werden mehrere drahtlose Herzfrequenzmeßgeräte gleichzeitig nebeneinander eingesetzt, sollten sie in einem Abstand von mindestens 1,5 m voneinander aufgestellt werden.

Werden nur ein Herzfrequenzempfänger aber mehrere Sender eingesetzt, darf sich nur eine Person, die einen Sender trägt, während der Herzfrequenzmessung innerhalb der Reichweite des Empfängers befinden.

Der Sender schaltet sich aus, wenn der Elektrodengurt abgenommen wird. Um Funktionsstörungen zu vermeiden, den Sender nach dem Training sorgfältig trocknen.

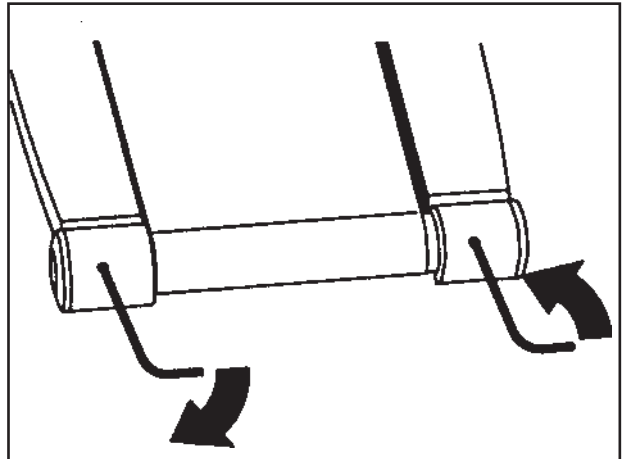
3. EINSTELLUNGEN

Beobachten Sie den Lauf des Bandes während des Trainings und führen Sie die unten beschriebenen Einstellmaßnahmen sofort aus, wenn sie notwendig sind.

3.1. AUSRICHTEN DES LAUFBANDES

Während des Trainings sollte das Laufband möglichst gerade und mittig laufen. Bei einem ebenen Aufstellort braucht die Laufbandspannung gewöhnlich nicht nachgestellt zu werden. Aufgrund von besonderen Laufstilen (z. B. einseitige Gewichtsverteilung) kann das Laufband mit der Zeit jedoch schräg laufen. Zum Ausrichten des Laufbandes wie folgt vorgehen:

1. Das Gerät mit dem Netzschalter am vorderen Ende des Laufbandtrainers einschalten und das Band mit einer Geschwindigkeit von zirka 5 km/h (3 mph) laufen lassen.
2. Läuft das Laufband nach links, die linke Einstellschraube am hinteren Ende des Laufbandtrainers um 1/8 Umdrehung nach rechts und die rechte Einstellschraube um 1/8 Umdrehung nach links drehen.



3. Läuft das Laufband nach rechts, die rechte Einstellschraube am hinteren Ende des Laufbandtrainers um 1/8 Umdrehung nach rechts und die linke Einstellschraube um 1/8 Umdrehung nach links drehen.

HINWEIS! Bereits eine 1/8 Umdrehung verändert die Richtung des Laufbandes. Deshalb die Stellung der Einstellschrauben nur wenig auf einmal verändern.
4. Läuft das Laufband in der Mitte, ist die Einstellung richtig. Wenn nicht, die obigen Schritte solange wiederholen, bis das Laufband in der Mitte des Gerätes bleibt.

Läuft das Laufband über längere Zeit hinweg schräg, so daß es an der einen Geräteseite scheuert, können Betriebsstörungen auftreten. Die Garantie deckt keine Schäden, die auf eine unterlassene Ausrichtung des Laufbandes zurückzuführen sind.

3.2. NACHSPANNEN DES LAUFBANDES

Das Laufband muß nachgespannt werden, wenn es bei normalem Betrieb über die Laufrolle zu rutschen beginnt.

HINWEIS! Die Laufbandspannung jedoch so gering wie möglich halten!

Das Nachspannen erfolgt mit denselben Einstellschrauben wie zum Ausrichten:

1. Das Gerät am Netzschalter am vorderen Ende des Laufbandtrainers einschalten und das Band mit einer Geschwindigkeit von zirka 5 km/h (3 mph) laufen lassen.

2. Beide Einstellschrauben gleich viel (zirka 1/8 Umdrehung) nach rechts drehen.
3. Durch Gehen wie an einem steileren Abhang versuchen, das Laufband zu bremsen.

HINWEIS! Das Laufband sollte erst bei scharfem Bremsen rutschen.

4. Rutscht das Laufband immer noch zu leicht über die Laufrolle, die Einstellschrauben um eine weitere 1/8 Umdrehung nach rechts drehen und einen weiteren Bremsversuch machen.

4. WARTUNG

Von Zeit zu Zeit alle Schrauben und Muttern auf festen Sitz überprüfen. Die Schrauben aber nicht überdrehen.

4.1. REINIGUNG UND KONTROLLE DES LAUFBANDES

Das Gerät mit dem Netzschalter ausschalten und das Netzkabel sowohl aus der Steckdose als auch aus der Buchse am Laufbandtrainer ziehen. Das Gerät auf die Seite legen. Die Innenfläche des Laufbandes mit einer rauen Bürste reinigen. Auf keinen Fall Lösungsmittel verwenden! Das Band mit den Händen weiterschieben, bis die gesamte Innenfläche gereinigt ist. Bei Bedarf an den Einstellschrauben die Laufbandspannung lösen. Zum Schluß die Einstellschrauben nachziehen und das Gerät wieder aufrichten.

Bei verschlissenen Laufband ist besonders auf die Ausrichtung zu achten (s. 3.1. AUSRICHTEN DES LAUFBANDES). Sind die Laufbandränder ausgefranst, mit dem Fachhändler Kontakt aufnehmen.

4.2. REINIGUNG DES GERÄTES

Die Handläufe und die Elektronikanzeige mit einem feuchten Wischtuch reinigen. Auf keinen Fall Lösungsmittel verwenden!

Die sichtbaren Teile des Laufbandtrainerrahmens (wie Laufband, Laufplatte und Seitenprofile) regelmäßig mit einer kleinen Düse absaugen. Durch Kippen kann auch der untere Teil des Gerätes gereinigt werden.

Die Laufrollen sollen einmal im Jahr wie folgt gereinigt werden: Die Einstellschrauben etwas lösen und die Laufrollen mit einer rauen Bürste abwischen. Die Einstellschrauben wieder festziehen. Dabei sicherstellen, daß das Laufband gerade läuft und richtig gespannt ist (s. 3.1. AUSRICHTEN DES LAUFBANDES und 3.2. NACHSPANNEN DES LAUFBANDES).

4.3. PFLEGE DER LAUFPLATTE

Die Behandlung des Laufbandes mit Teflon ist die wichtigste Wartungsmaßnahme. Diese muß immer dann durchgeführt werden, wenn Sie entweder eine deutliche

Reibungszunahme des Laufbandes oder eine Überhitzung des Motors feststellen. Auf keinen Fall darf das Pflegeintervall 200 Betriebskilometer überschreiten; wir empfehlen, daß die Laufplatte jedenfalls einmal pro Monat mit Teflon behandelt wird. Während der ersten 200 Betriebskilometer ist das Wartungsintervall 50 km. Eine nicht ausreichende Behandlung führt zu erhöhtem Verschleiß und Beschädigung von Laufband, Laufplatte und Motor.

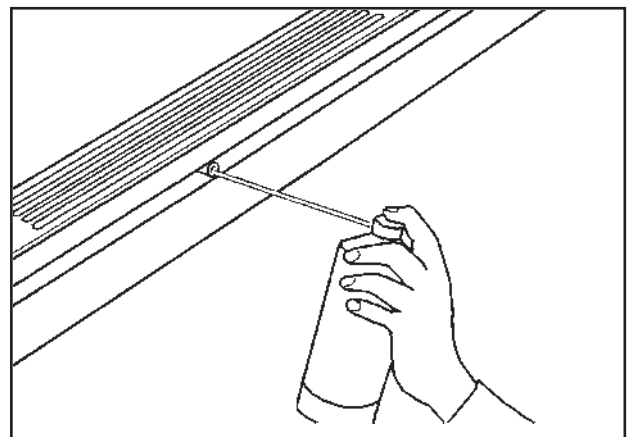
ACHTUNG! Vor der Inbetriebnahme des Laufbandes muß es unbedingt sorgfältig gemäß der nachstehenden Anleitung behandelt werden! ACHTUNG! Wenn das Laufband während ca. 3 Wochen nicht benutzt wird, muß vor der Inbetriebnahme die Laufplatte gemäß der nachstehenden Anleitung behandelt werden!

Der Pflegebedarf hängt weitgehend vom Gewicht des Benutzers und seinem Laufstil ab: Ein hohes Körpergewicht sowie eine niedrige Betriebsgeschwindigkeit des Laufbandes führen zu einer stärkeren Belastung des Gerätes und machen daher besondere Sorgfalt bei der Pflege erforderlich. Verwenden Sie zur Behandlung des Laufbandes nur das mitgelieferte Teflon. Wenn Sie neues Teflon benötigen, wenden Sie sich bitte an Ihren TUNTURI-Händler.

ACHTUNG! Die Behandlung des Gerätes mit Silikon ist dringend zu unterlassen!

Bitte auch die Sicherheitsvorschriften auf der Spraydose beachten.

1. Das Laufband mit geringer Geschwindigkeit laufen lassen und Teflon in das Verteilungsrohr sprühen. Ein Aufkleber auf dem Rahmen verweist auf dieses Rohr.
2. Wird die Laufplatte erstmalig mit Teflon behandelt, ist eine Sprühdauer von ca. 20 Sekunden notwendig, später reichen ca. 10 Sekunden aus.
3. Das Teflon tropft vom Verteilungsrohr auf die Mitte des Laufbandes. Das Gerät ist sofort betriebsbereit.



Bitte sicherstellen, daß bei jeder Pflegebehandlung des Laufbandes die gesamte Bandrückseite auf einer Breite von ca. 20 cm deutlich sichtbar mit Teflon angefeuchtet ist. Falls nötig, kann das Teflon auch direkt auf die Unterseite des Bandes gesprüht werden.

4.4. FEHLERMELDUNGEN

Für eine leichte Erkennung und Behebung der wahrscheinlichsten Fehlerquellen ist das Gerät mit einem Fehler-

meldungssystem ausgestattet. Nach langem Gebrauch können also in der Anzeige folgende Fehlermeldungen angezeigt werden:

FEHLER	URSACHE
E1	Geschwindigkeitssensor erhält kein Signal
E4	Hubmechanismus- oder Sensorfehler
E7	Softwarefehler
E8	Laufband rotiert schneller als programmiert

Wenn ein Fehlercode erscheint oder beim Betrieb des Gerätes andere Störungen auftauchen, bitte folgend vorgehen:

1. Hauptschalter ausschalten, 1 Minute warten, wieder einschalten.
2. Sicherstellen, daß der Sicherheitsschlüssel ganz eingesteckt ist.
3. Sicherstellen, daß die 220 V Stromzuleitung korrekt eingesteckt ist.
4. Sicherstellen, daß die Laufband-Unterseite genügend mit Teflon gepflegt ist (s. 4.3. PFLEGE DER LAUFPLATTE).
5. Sollte die Fehlermeldung nach Durchführung dieser Maßnahmen immer noch vorhanden sein, kontaktieren Sie bitte Ihren TUNTURI-Händler. Nennen Sie immer die genaue Fehlermeldung und die Seriennummer Ihres Gerätes. Die Seriennummer finden Sie auf dem Aufkleber hinten links am Rahmen.

tEtH Der Sicherheitsschlüssel ist nicht ordnungsgemäß im Schloß am Elektronikanzeigehalter

Trotz kontinuierlicher Qualitätsüberwachung können vereinzelt an den Geräten durch einzelne Komponenten verursachte Funktionsstörungen auftreten. Dabei ist es nicht angebracht, das ganze Gerät zur Reparatur zu bringen, da der Fehler meistens durch Austauschen der defekten Komponente behoben werden kann.

4.5. GESPEICHERTE WERTE

Die Gesamtbetriebsstundenzahl sowie die zurückgelegte Gesamtstrecke werden automatisch im Speicher der Elektronikanzeige festgehalten. Zum Abruf dieser Werte (beispielsweise im Zusammenhang mit Wartungsmaßnahmen) wie folgt vorgehen:

1. Wenn die Leuchtdiode neben dem Text WEIGHT aufleuchtet, die STOP-Taste niedergedrückt halten und gleichzeitig die SCAN/SELECT-Taste drücken. Die Elektronikanzeige ist jetzt in der Betriebsart ANWENDEROPTIONEN.
2. Die STOP-Taste niedergedrückt halten und gleichzeitig erstens die SCAN/SELECT-Taste und zweitens die ENTER-Taste drücken.
3. In der Anzeige werden jetzt abwechselnd die Gesamtbetriebsstundenzahl, die zurückgelegte Gesamtstrecke und die Softwareversion angezeigt.
4. Zum Verlassen der Betriebsart 2 mal ENTER drücken.

5. TRANSPORT UND AUFBEWAHRUNG

Das Gerät läßt sich leicht auf den integrierten Transportrollen bewegen. Vor dem Transport das Netzkabel sowohl aus der Steckdose als auch aus der Buchse am Laufbandtrainer ziehen. Das Gerät am hinteren Ende anheben und auf den Transportrollen an den gewünschten Platz schieben.

ACHTUNG! Nach dem Bewegen oder Transport muß das Laufband ggf. neu ausgerichtet werden (s. 3.1. AUSRICHTEN DES LAUFBANDES).

Um Funktionsstörungen zu vermeiden, das Gerät in einem möglichst trockenen Raum mit gleichbleibender Temperatur vor Staub geschützt aufbewahren und benutzen. Nach jedem Training den Netzstecker ziehen.

ACHTUNG! Wenn das Laufband während ca. 3 Wochen nicht benutzt wird, muß vor der Inbetriebnahme die Laufplatte gemäß der Anleitung behandelt werden!

6. TECHNISCHE DATEN

Länge	150 cm
Breite	90 cm
Höhe	125 cm
Gewicht	71 kg
Lauffläche	135 x 44 cm
Bandgeschwindigkeit	1,5-16 km/h
Steigung	0-10 %
Elektronikanzeige	Trainingsstrecke, Steigung, Herzfrequenz (erfordert Zusatzausrüstung), Trainingszeit, Zeit pro Kilometer bzw. Meile, Trainingsgeschwindigkeit Energieverbrauch Leuchtdiodenanzeige (LED) 5 vorprogrammierte Trainingsprogramme 1 Speicherplatz für selbst erstelltes Trainingsprogramm
Motor	1,5 PS
Antrieb	Keilriemen
Rahmen	Verschweißte Stahlrohrkonstruktion, pulverbeschichtet
Zul. Körpergewicht	max. 110 kg

Sämtliche TUNTURI-Geräte entsprechen den EG-Richtlinien für elektromagnetische Verträglichkeit (EMC) und sind zum Zeichen der Konformität mit einem CE gekennzeichnet. TUNTURI-Laufbänder erfüllen die Anforderungen der DIN-Präzisions- und Sicherheitsnormen (DIN 32933-1+3).

Technische Änderungen vorbehalten - Sie dienen stets dem Fortschritt.

Falls Sie technische Fragen haben bzw. Ersatzteile benötigen, gibt Ihnen unsere Serviceabteilungen gerne Auskunft:

Deutschland: Bremshey Sport GmbH,

Tel. 0212-248 1517

Österreich: Dowi GmbH,

Tel. 0316-716 412

Schweiz: GTSM Magglingen,

Tel. 01-4611 130

QUELQUES CONSEILS ET AVERTISSEMENTS

AVANT DE PROCEDER A L'ASSEMBLAGE, L'UTILISATION ET L'ENTRETIEN DE L'APPAREIL, LISEZ ATTENTIVEMENT CE MODE D'EMPLOI ET SUIVEZ TOUJOURS LES CONSEILS QUI Y FIGURENT.

CET APPAREIL EST DESTINE A ETRE UTILISE A DOMICILE. LA GARANTIE DONNEE PAR LA SOCIETE TUNTURIPYÖRÄ OY NE COUVRE QUE LES DEFAUTS OU INSUFFISANCES APPARUS AU COURS DE L'UTILISATION A DOMICILE. VEUILLEZ NOTER QUE LA GARANTIE NE COUVRE PAS LES DOMMAGES CAUSES PAR UN MANQUE DE PRECAUTION QUANT AUX INSTRUCTIONS DE MONTAGE ET D'ENTRETIEN DECRITES DANS CE MODE D'EMPLOI.

Avant de brancher votre appareil sur secteur, remarquez qu'il fonctionne sur 230 V ou 115 V (comme indiqué sur la plaque signalétique). Sa consommation de courant est de 10A/20A à son maximum. L'appareil doit être branché sur une prise mise à la terre. N'utilisez pas de rallonge.

Les sources de courant présentant des variations de tension de plus de 5 % peuvent entraver le bon fonctionnement de l'appareil et endommager son équipement électronique. Si l'appareil est branché sans tenir compte des instructions données dans ce mode d'emploi, sa garantie n'est plus valable.

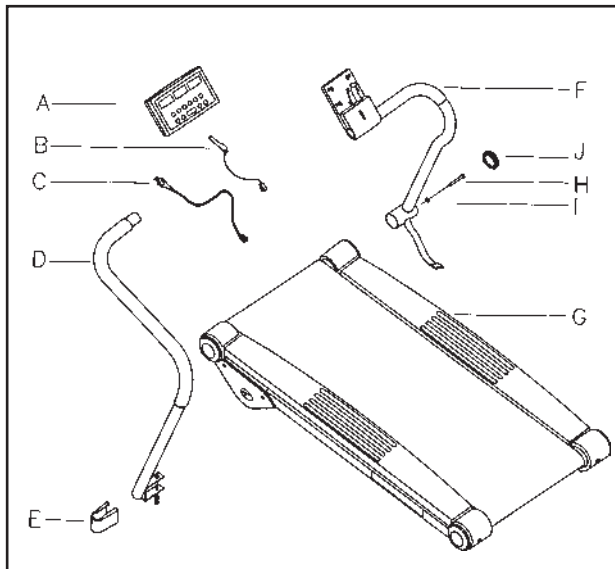
- * Commencez toujours par vérifier que l'appareil est en parfait état de marche. N'utilisez jamais un appareil défectueux.
- * **N'effectuez jamais d'autres opérations de réglage et d'entretien que celles mentionnées dans ce guide et suivez bien les conseils d'entretien qui y sont donnés.**
- * Vérifiez toujours que toutes les pièces de protection de l'appareil sont bien en place.
- * Veillez à ce que, durant l'assemblage et l'entretien de l'appareil, l'appareil est éteint et débranché.
- * Débranchez l'appareil après chaque utilisation.
- * Ne déplacez jamais l'appareil en tirant sur le fil électrique.
- * Utilisez l'appareil uniquement à l'intérieur.
- * Placez l'appareil sur une surface aussi plane que possible et laissez au moins 60 cm d'espace libre devant et sur les côtés et au moins 120 cm derrière.
- * Prenez toujours en compte le fait que les enfants peuvent vouloir à tout moment utiliser l'appareil à des fins tout à fait autres que celles normalement prévues. Si vous décidez de laisser un enfant utiliser l'appareil, prenez toujours en considération l'état de son développement physique et mental ainsi que son caractère. Donnez à l'enfant tous les conseils nécessaires pour une bonne utilisation de l'appareil et ne le laissez jamais seul. L'appareil ne doit en aucun cas être utilisé comme un jouet.
- * Le fil électrique de l'appareil est équipé de fiches mises à la terre. Seule une personne spécialisée dans l'entretien et la réparation de tels appareils électro-mécaniques et qui détient le permis exigé par la loi du pays concerné pour effectuer les travaux en question, peut réaliser d'éventuels changements sur les fiches de l'appareil ou la prise secteur.
- * N'utilisez pas de silicone ce qui endommagerait la plaque de base.
- * Avant de monter sur votre appareil, familiarisez-vous avec les diverses mesures de réglage et l'utilisation de l'unité des compteurs.

ET N'OUBLIEZ PAS NON PLUS DE...

- * **Consultez votre médecin avant de commencer les exercices.**
- * Interrompez immédiatement la session et consultez votre médecin si vous êtes pris de nausées ou de vertiges ou sentez d'autres symptômes anormaux pendant l'entraînement.
- * Ne montez jamais à deux ou à plusieurs sur l'appareil.
- * Prenez appui sur la barre de soutien en montant sur l'appareil ou en descendant et également au cours de chaque changement de vitesse. Ne sautez jamais d'un tapis en marche!
- * N'approchez jamais vos mains des parties mobiles de l'appareil. Veillez à ce qu'il n'y ait jamais rien sous le tapis et ne glissez jamais votre main ou votre pied ou tout autre objet sous le tapis.
- * Portez des vêtements et chaussures appropriés. Vérifiez que vos lacets sont bien serrés. Utilisez de préférence des chaussures de sport réservées à une utilisation à domicile. Vous éviterez ainsi toute usure ou autre dommage inutile que pourraient causer les cailloux et grains de sable venant de chaussures utilisées au dehors.
- * **L'appareil est équipé d'une clé de verrouillage de sécurité qui empêche son fonctionnement si elle n'est pas en place, sous l'unité des compteurs. N'oubliez pas de fixer le clip au bout du cordon à votre T-shirt par exemple.**
- * Afin d'éviter toutes douleurs musculaires, commencez et terminez vos sessions par des mouvements d'échauffement (marche ou course lente) et d'étirement.
- * L'appareil n'est pas conseillé aux personnes pesant plus de 110 kg.
- * Toutes les informations contenues dans ce guide ont été rédigées le plus précisément possible et en toute bonne foi. Cependant, toute personne se référant à ses informations pour assembler, utiliser et entretenir cet appareil le fait sous son entière responsabilité.

1. ASSEMBLAGE

Commencez par vérifier que les pièces suivantes figurent bien dans l'emballage:



- A Unité des compteurs
 - B Clé de verrouillage de sécurité + cordon avec clip (+ clé réserve)
 - C Fil électrique
 - D Moitié gauche de la barre de soutien
 - E Pièce de protection
 - F Moitié droite de la barre de soutien + support unité des compteurs
 - G Châssis
- Un jeu d'outils et vis contenant:
- H 2 vis à six pans creux M8 x 80 mm
 - I 2 rondelles
 - J 1 coiffe blanche
1 clé 6 mm pour vis à six pans
1 clé à fourche (10/11)

En cas de pièce manquante, prenez contact avec votre vendeur et indiquez-lui le modèle (J 660), le numéro de fabrication ainsi que le numéro de la pièce manquante (voir vue éclatée et liste pièces détachées à la fin de ce mode d'emploi).

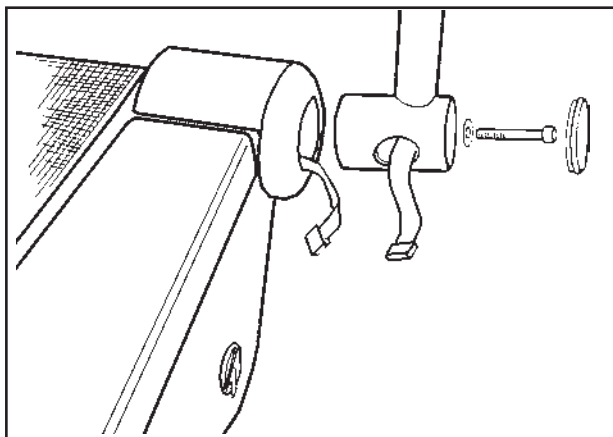
Vous pouvez ensuite procéder à l'assemblage comme suit (les termes gauche, droite, devant et derrière sont utilisés comme si vous étiez en position d'exercice sur l'appareil):

1.1. ASSEMBLAGE DE LA BARRE DE SOUTIEN

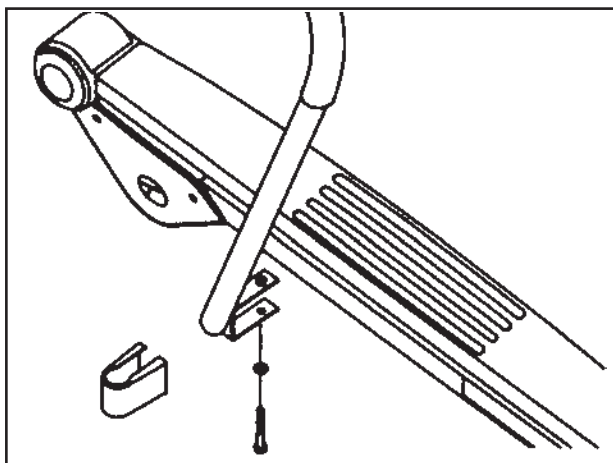
ATTENTION! Ne serrez pas les vis de fixation avant que les deux barres soient complètement assemblées.

Enlevez le sachet situé au bas de la barre droite, destiné à absorber l'humidité pendant le transport et le stockage.

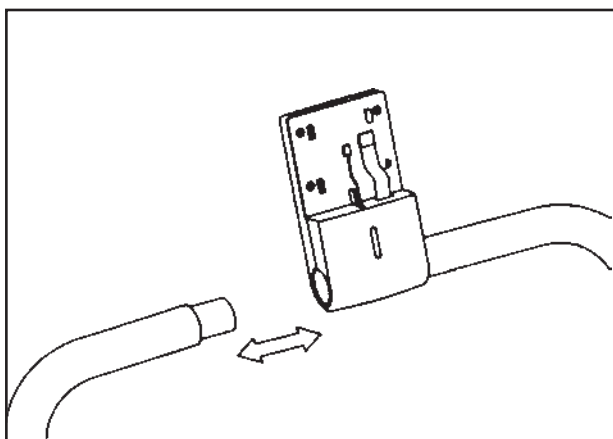
Sortez le câble de la plaque droite protectrice latérale et placez la moitié droite de la barre de soutien à côté du rouleau devant et fixez-la au châssis à l'aide de la vis et de la rondelle. **ATTENTION! Le câble plat sortant de la protectrice latérale se trouve entre la protectrice et la barre de soutien. Ne pas endommager le fil.** Pressez la coiffe blanche sur la tête de la moitié droite de la barre de soutien.



Fixez la moitié gauche de la barre de soutien à la languette du châssis à l'aide de la vis à six pans creux de 80 mm et de la rondelle. Si nécessaire couchez le tapis sur un côté avec l'aide d'une autre personne. Mettez l'embout protecteur en place.



Enfoncez la moitié gauche de la barre de soutien dans le support de l'unité des compteurs se trouvant à l'extrémité de la moitié droite.



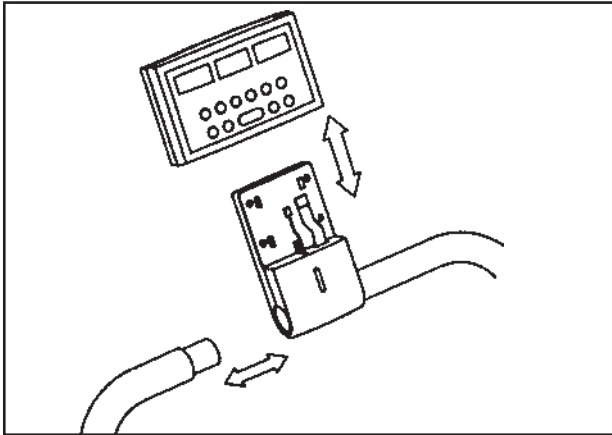
Rapprochez les deux moitiés de la barre de soutien l'une de l'autre, et lorsque leurs extrémités viennent en butée l'une contre l'autre, serrez les vis se trouvant au fond du support de l'unité des compteurs tout en maintenant les deux moitiés en place.

Faites attention à ce que le câble plat situé dans la barre de soutien ne reste pas coincé.

Serrez le vis de la barre du soutien droite.

1.2. MISE EN PLACE DE L'UNITÉ DES COMPTEURS

Connectez le câble plat et le câble de la mesure du pouls sortant du support de l'unité des compteurs aux connecteurs situés à l'arrière de l'unité des compteurs. Rentrez les câbles dans le support du compteur et glissez prudemment le compteur sur sa base.

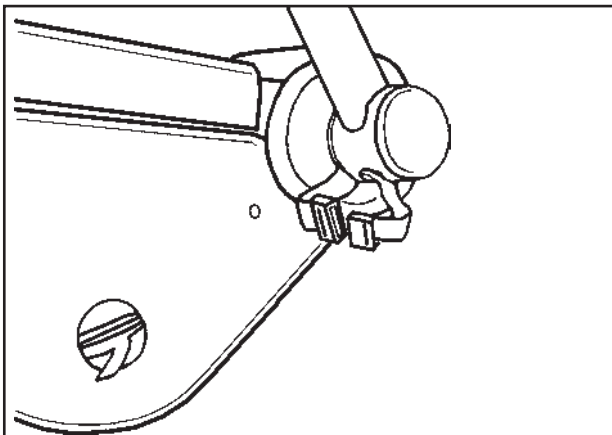


Placez avec précaution l'unité des compteurs sur son support.

Retirez le film protecteur recouvrant les touches de fonction.

1.3. CONNEXION DU CÂBLE DE L'UNITÉ DES COMPTEURS

Connectez le câble plat de l'unité des compteurs sortant de la partie droite de la barre de soutien à celui attaché au châssis et introduisez-les à l'intérieur de la barre de soutien.

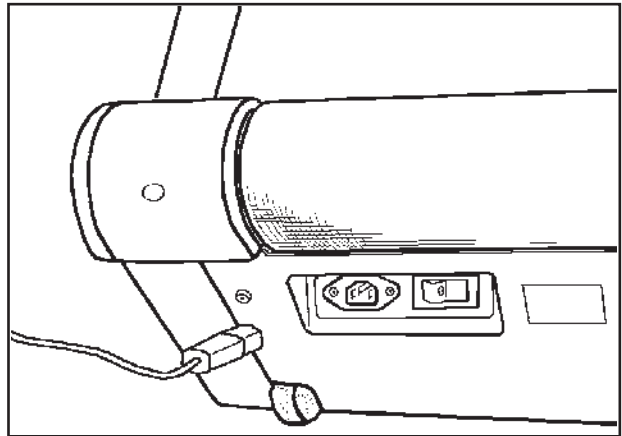


1.4. BRANCHEMENT DE L'APPAREIL

Connectez le fil électrique à l'avant droit de l'appareil près de l'interrupteur secteur.

Avant de brancher l'appareil sur le secteur, vérifiez que la tension secteur convient en la comparant avec celle indiquée sur la plaque signalétique de l'appareil.

ATTENTION! Le tapis installé doit impérativement être soigneusement graissé à l'aide de l'huile téflon fournie dans l'emballage (voir 4.3. GRAISSAGE DE L'APPAREIL).



2. UTILISATION

Vérifiez que le fil électrique est bien branché à la fiche se trouvant à l'avant de l'appareil et à la source de courant. Mettez votre appareil en route à l'aide de l'interrupteur se trouvant sur le bord avant. Lorsque le tapis est sous tension, le compteur du J 660 affiche le mode "entrée du poids de l'utilisateur" (voir 2.5.).

2.1. UTILISATION DE LA CLE DE VERROUILLAGE DE SECURITE

L'appareil est équipé d'une clé de verrouillage de sécurité qui empêche son fonctionnement si elle n'est pas en place, sous l'unité des compteurs. Fixez le clip se trouvant au bout du cordon de la clé à votre T-shirt par exemple et insérez la clé dans la fente au bas de l'unité des compteurs.

ATTENTION! Si la clé de verrouillage n'est pas en place (texte "teth" apparaissant sur l'affichage, l'appareil et l'unité des compteurs ne se mettront pas en route.

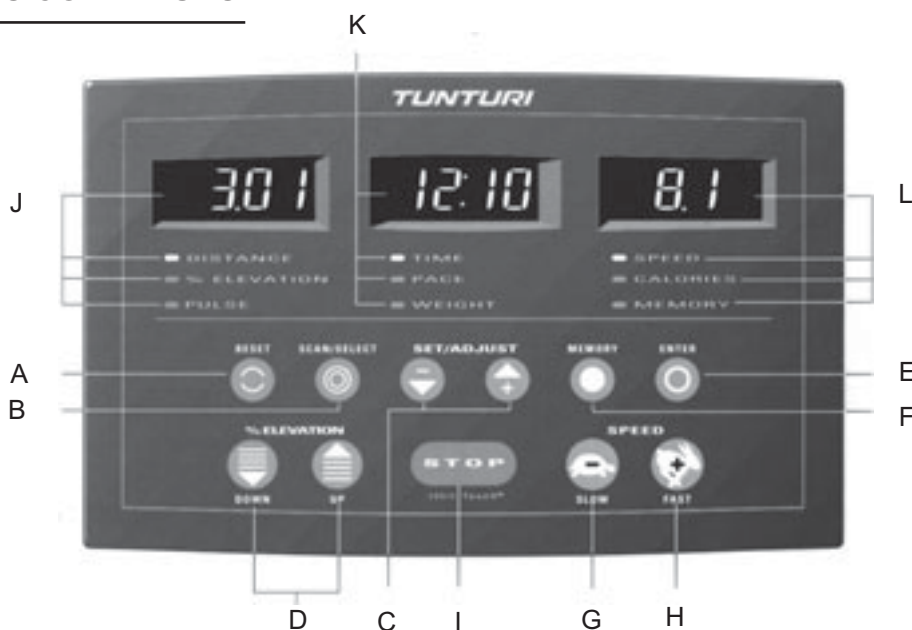
2.2. EXERCICE

L'exercice avec le J 660 est une excellente forme d'exercice aérobic qui lie à la fois modération et durée dans les efforts. **Pour vous remettre en forme, il vous faut pratiquer des exercices physiques au moins trois fois par semaine pendant 30 minutes à chaque fois** et pour vous maintenir en bonne condition, au moins deux fois par semaine. Une fois un bon niveau de condition atteint, il est facile de l'améliorer en augmentant le nombre des séances d'entraînement.

Si vous désirez perdre des kilos, l'exercice physique vous est d'autant plus important, car c'est le seul moyen d'augmenter la quantité d'énergie consommée par votre organisme. Voilà pourquoi une diète faible en calories doit toujours être accompagnée d'exercices physiques réguliers. Il est bon de pratiquer des exercices tous les jours, au début pendant 30 minutes (avec ou sans pauses) puis d'augmenter la dose quotidienne progressivement à une heure. Débutez avec une vitesse faible. Si vous êtes obèse, un effort excessif pourrait surcharger votre système cardiovasculaire.

Pour mesurer l'intensité de l'exercice, vous pourrez utiliser votre fréquence cardiaque. Ceci est possible avec le compteur de pulsations qui vous permettra de suivre facilement votre fréquence cardiaque pendant l'exercice pour vous aider à choisir le niveau d'intensité qui vous convient (voir 2.13. MESURE DU POULS).

2.3. UNITE DES COMPTEURS



2.3.1. TOUCHES

- (A) RESET**
Lorsque le tapis est en marche: Appuyez sur RESET = remise à zéro de la durée écoulée, de la distance parcourue et de l'énergie consommée.
Lorsque le tapis est à l'arrêt: Appuyez sur RESET = passage à la fonction "Entrée du poids de l'utilisateur". Il est possible alors soit d'acquitter le poids proposé par l'unité des compteurs elle-même avec la touche ENTER, soit d'entrer une autre valeur à l'aide des touches fléchées et d'acquitter cette nouvelle valeur avec ENTER.
- (B) SCAN/SELECT**
Pour le défilement automatique des affichages (SCAN) ou le choix d'un affichage particulier (SELECT).
- (C) TOUCHES FLECHES (SET/ADJUST)**
Pour l'entrée du poids de l'utilisateur en kilos ou en livres afin que l'unité des compteurs puisse calculer la consommation d'énergie. Egalement pour des réglages personnels à chaque utilisateur (voir 2.4. REGLAGES PERSONNELS).
- (D) TOUCHES FLECHES (UP et DOWN) -% ELEVATION**
La touche UP permet d'augmenter l'angle d'inclinaison du tapis (par une descente lente de la partie arrière de l'appareil) par crans de 1%. La touche DOWN permet de diminuer l'angle d'inclinaison du tapis (par une montée lente de la partie arrière de l'appareil) par crans de 1%.
- (E) ENTER**
Pour acquitter l'entrée du poids de l'utilisateur et pour effectuer les réglages personnels.
- (F) MEMORY**
Pour mettre en mémoire et pour sortir un programme d'entraînement effectué à l'aide de la fonction manuelle ou l'un des cinq programmes standards contenus dans la mémoire.
- (G) TORTUE (SPEED/SLOW)**
Pour réduire la vitesse (0,1 km/h ou 0,1 mph par appui sur la touche).
- (H) LIEVRE (SPEED/FAST)**
Pour augmenter la vitesse (0,1 km/h ou 0,1 mph par appui sur la touche).
- (I) STOP**
Pour arrêter l'appareil. Après un appui sur STOP, les valeurs enregistrées par l'unité des compteurs et la vitesse et l'inclinaison du tapis choisies restent en mémoire entre 1 et 5 minutes suivant

le choix effectué (voir 2.4. REGLAGES PERSONNELS). Après un second appui sur STOP ou si le temps choisi pour le maintien en mémoire est dépassé, seules les valeurs enregistrées au cours de l'exercice seront conservées, par contre tous les choix entrés par l'utilisateur seront annulés.

2.3.2. AFFICHAGES

Les lampes témoins situées à côté des fonctions indiquent quelle fonction est affichée.

DISTANCE (distance)
Affichage de la distance parcourue en kilomètres ou milles (00.0-99.9).

% ELEVATION (angle d'inclinaison)
Affichage de l'angle d'inclinaison choisi en pourcent (0-10 %).

PULSE (mesure du pouls)
- nécessite un accessoire supplémentaire
Affichage du pouls (voir 2.13. MESURE DU POULS).

TIME (durée)
Affichage de la durée écoulée en minutes et secondes (00.00-99.59) par crans d'une seconde.

PACE (temps pour parcourir un km/un mille)
Affichage du temps nécessaire pour parcourir un kilomètre ou un mille à la vitesse choisie.

WEIGHT (poids de l'utilisateur)
Affichage du poids de l'utilisateur entré dans l'appareil (max. 110 kg).

SPEED (vitesse)
Affichage de la vitesse en km/h (1,5-16) ou en milles/h (1-10).

CALORIES (consommation d'énergie)
Affichage de l'estimation de la quantité d'énergie consommée en kilocalories (0-999) durant une session. Cette valeur est calculée en prenant en compte le poids de l'utilisateur, la durée de la session, la vitesse et l'inclinaison du tapis. La capacité à produire de l'énergie variant d'un individu à l'autre, la valeur affichée ne peut être qu'une estimation de la consommation réelle.

MEMORY (mémoire)
La lampe témoin est allumée lorsque vous utilisez l'un des programmes (standards ou conçus par vous-même) mis en mémoire.

2.4. REGLAGES PERSONNELS

Votre appareil est muni d'une fonction "Réglages personnels" qui vous permet les choix suivants: unités en km, km/h, kg ou en milles, milles/h, livres, signal sonore ou non, protection de la mémoire ou non, et détermination du temps pendant lequel vous voulez que les valeurs enregistrées au cours de votre séance d'entraînement soient conservées, par exemple quand vous voulez faire une pause.

1. Appuyez sur STOP et en même temps sur SCAN/SELECT (l'unité des compteurs doit être en mode "Entrée du poids de l'utilisateur").
2. Les lettres "EngL" ou "ISo" apparaissent sur l'écran. Choisissez les unités voulues à l'aide des touches fléchées.
3. Appuyez de nouveau sur SCAN/SELECT. Les lettres "Aud 1" (signal sonore en service) ou "Aud 0" (signal sonore hors service) apparaissent sur l'écran. Effectuez le choix à l'aide des touches fléchées.
4. Appuyez de nouveau sur SCAN/SELECT. L'écran affichera "to" (time out = durée de maintien en mémoire) et un chiffre entre 1 et 5. Si vous voulez maintenir en mémoire les valeurs de votre dernier exercice pendant par ex. 4 minutes, vous choisirez "to 4".
5. Appuyez de nouveau sur SCAN/SELECT. L'écran affichera "PEnb" (protection mémoire hors service) ou "PdIS" (protection mémoire en service). Effectuez le choix à l'aide des touches fléchées. Lorsque la protection est en service, les programmes que vous aurez mis en mémoire ne peuvent pas être modifiés.
6. Appuyez enfin sur ENTER. L'unité des compteurs se retrouvera alors en mode "Entrée du poids de l'utilisateur".

2.5. ENTREE DU POIDS DE L'UTILISATEUR

Lorsque le tapis est sous tension, le compteur du J 660 affiche le mode "entrée du poids de l'utilisateur".

1. Le voyant lumineux près de WEIGHT clignote et l'écran affiche le dernier poids entré en mémoire.
2. Entrez votre poids à l'aide des touches fléchées soit en kilos soit en livres (suivant le choix effectué en mode 2.4. RÉGLAGES PERSONNELS).
3. Confirmez en appuyant sur ENTER.
4. Le voyant lumineux apparaîtra au niveau du mot SPEED et l'écran affichera "0.0".

2.6. VOTRE EXERCICE

Prenez toujours appui sur la barre de soutien, que vous montiez sur l'appareil ou en descendiez et également au cours de chaque changement de vitesse. Ne sautez jamais d'un tapis en marche!

NE MONTEZ JAMAIS directement sur le tapis mais toujours d'abord sur les bords fixes. Ne mettez jamais le tapis en marche lorsque vous êtes debout sur le tapis.

2.7. CHOIX DE LA FONCTION MANUELLE OU SORTIE D'UN PROGRAMME MIS EN MEMOIRE

2.7.1. CHOIX DE LA FONCTION MANUELLE

Si vous choisissez de ne pas utiliser un programme d'entraînement mis en mémoire (voir 2.7.2. SORTIE D'UN PROGRAMME MIS EN MEMOIRE), mettez le tapis en marche en appuyant sur la touche LIEVRE (SPEED/FAST). Le tapis tournera alors à une vitesse de 1,5 km/h (ou de 1,0 mph). Montez sur le tapis en prenant appui sur les barres de soutien. Pour régler la vitesse, utilisez les touches LIEVRE (plus rapide) ou TORTUE (plus lent).

ATTENTION! Ne montez pas sur le tapis lorsqu'il tourne à une vitesse supérieure à 1,5 km/h (ou de 1,0 mph).

Au besoin, vous pouvez régler l'inclinaison du tapis à l'aide des touches fléchées UP et DOWN, une pression correspondant à une variation de 1%. Pour augmenter l'inclinaison (pour faire descendre la partie arrière de l'appareil), appuyez sur UP, et pour la diminuer (pour faire monter la partie arrière de l'appareil), appuyez sur DOWN.

2.7.2. SORTIE D'UN PROGRAMME MIS EN MEMOIRE

Pour utiliser un programme d'entraînement mis en mémoire (un des programmes standards ou un programme que vous aurez vous-même mis en mémoire préalablement), appuyez sur la touche MEMORY et choisissez le programme désiré avec les touches fléchées (SET/ADJUST). Appuyez sur la touche ENTER.

Choisissez le niveau d'intensité avec les touches fléchées (SET/ADJUST) (**IL 1 = débutants, IL 2 = niveau moyen, IL 3 = niveau intermédiaire, IL 4 = adeptes de la condition physique, IL 5 = sportifs**). Appuyez sur la touche ENTER.

Maintenant vous pouvez commencer votre exercice en appuyant sur la touche LIEVRE (SPEED/FAST). L'unité des compteurs émet un signal sonore 15 secondes avant chaque changement de vitesse et d'angle d'inclinaison.

2.8. FONCTION SCAN

En appuyant sur la touche SCAN/SELECT, vous ferez défiler les affichages automatiquement à intervalles de trois secondes. Remarquez que l'affichage pouls n'est visible que lorsque vous avez choisi de mesurer votre pouls et que l'émetteur est en place (voir 2.13. MESURE DU POULS). En appuyant une seconde fois sur SCAN/SELECT, vous sortirez du mode SCAN et l'écran affichera le mode apparaissant à ce moment.

2.9. FONCTION MAINTIEN EN MEMOIRE

Si vous voulez interrompre votre exercice pour une courte durée, appuyez sur STOP. Le tapis s'arrêtera automatiquement. Toutes les valeurs enregistrées au cours de l'exercice et tous les choix que vous aurez entrés seront maintenus pendant la période choisie (voir 2.4. REGLAGES PERSONNELS).

Pour poursuivre votre séance, il vous suffira d'appuyer sur la touche LIEVRE. Le tapis tournera alors à la même vitesse et les compteurs reprendront les calculs à partir des valeurs durée, distance et énergie consommée cumulées avant l'interruption.

Si le temps choisi pour le maintien en mémoire est dépassé avant que vous n'ayez repris votre exercice, les valeurs enregistrées au cours de l'exercice seront conservées, mais il n'est pas possible de poursuivre l'exercice à partir de ces valeurs. Si vous voulez remettre à zéro toutes les valeurs enregistrées, appuyez sur RESET ou ENTER.

ATTENTION! N'oubliez pas de laisser la clé de verrouillage en place durant votre pause, sinon il n'est pas possible de reprendre l'exercice à partir des mêmes valeurs.

2.10. POUR TERMINER VOTRE EXERCICE

Il y a plusieurs façons d'arrêter le tapis, par exemple:

1. Appuyez sur STOP.
2. Retirez la clé de verrouillage de sécurité.
3. Réglez la vitesse du tapis à 0,0 km/h (ou 0,0 mph) avec la touche TORTUE (SPEED SLOW).
4. Le tapis s'arrête automatiquement lorsque le programme mis en route prend fin.

CONSEILS IMPORTANTS

Afin d'éviter toutes douleurs musculaires, terminez vos sessions par une marche ou course lente.

Eteignez votre appareil à l'aide de l'interrupteur secteur situé sur le bord avant.

Ne laissez jamais la clé de verrouillage de sécurité sur votre appareil.

Retirez le fil électrique et rangez-le dans un endroit inaccessible aux enfants.

Au besoin, par exemple si vous avez sué, nettoyez votre appareil avec un chiffon humide. N'employez pas de solvant.

2.11. PROGRAMMES MIS EN MEMOIRE

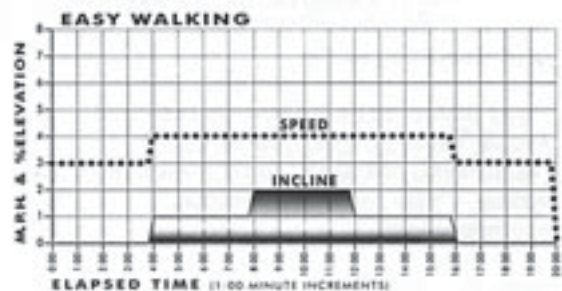
La mémoire du J 660 comporte en standard cinq différents programmes, en plus desquels vous pourrez mettre en mémoire un programme que vous aurez réalisé vous-même (voir 2.12. MISE EN MEMOIRE DES PROGRAMMES ET SORTIE D'UN PROGRAMME MIS EN MEMOIRE).

Pour les programmes standards, il est possible de choisir cinq différents niveaux d'intensité (sauf pour le programme "MARCHE LEGERE", qui est à trois niveaux).

Au besoin, vous pourrez modifier la vitesse et/ou l'inclinaison du tapis même au cours des programmes préalablement mis en mémoire.

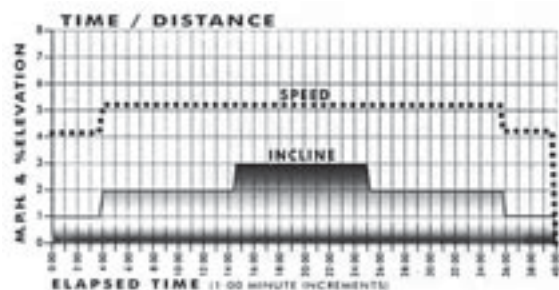
PROGRAMME 1: MARCHE LEGERE

Ce programme, avec une vitesse plutôt faible et une inclinaison peu importante, est parfaitement adapté pour l'échauffement et l'assouplissement. La durée du programme est, selon les trois différents niveaux d'intensité, de 15, 20 ou 25 minutes.



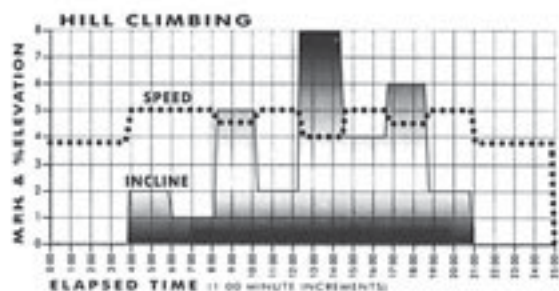
PROGRAMME 2: MAINTIEN DE LA FORME

Ce programme, renforçant le coeur et l'appareil circulatoire ainsi que le tonus musculaire, vous aide à maintenir votre condition physique au niveau actuel. La durée du programme varie de 20 à 40 min selon le niveau d'intensité choisi.



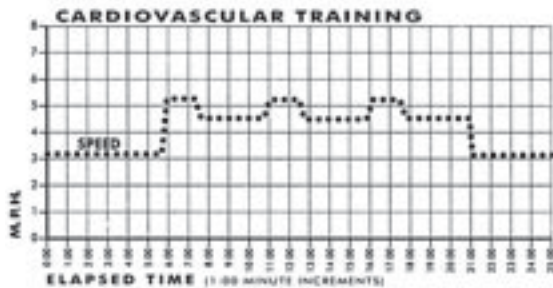
PROGRAMME 3: MONTEE

Ce programme à forte variation d'angles d'inclinaison pour une vitesse restant relativement constante vous permet de renforcer votre coeur et la capacité de votre organisme de transporter de l'oxygène. La durée du programme varie de 15 à 35 min selon le niveau d'intensité choisi.



PROGRAMME 4: AMELIORATION DE LA FORME

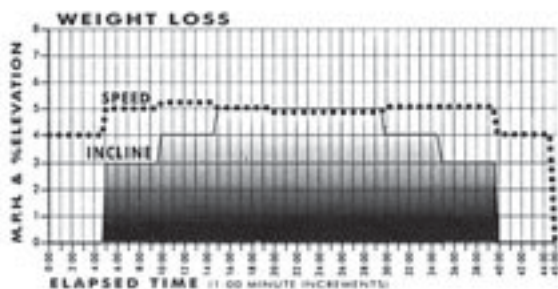
Ce programme à intervalles, consistant en des phases successives d'effort intense (le pouls atteignant un niveau de 85 % du taux maximum) et de récupération, vous permet d'améliorer votre condition physique générale et votre endurance. La durée du programme varie de 15 à 35 min selon le niveau d'intensité choisi.



PROGRAMME 5: AMAIGRISSEMENT

Ce programme vous permet de perdre du poids ou de maintenir votre poids à un niveau donné. Si vous n'avez pas fait d'exercices physiques auparavant, faites attention de ne pas vous surmener. Il est recommandé de débiter avec le niveau d'intensité le plus bas, et de passer au niveau suivant seulement après un entraînement régulier de plusieurs semaines, ceci afin de permettre à votre organisme de s'adapter et à votre métabolisme de s'accélérer au fur et à mesure de vos progrès. La durée du programme varie de 25 à 45 min selon le niveau d'intensité choisi.

Pour maigrir, il est indispensable que la dépense d'énergie soit supérieure à l'apport en énergie, d'où la nécessité soit d'augmenter les exercices physiques soit de diminuer l'apport en calories. Au début, la perte de poids peut tarder à se manifester, ceci à cause du fait que votre organisme tend à s'hydrater pour compenser l'élimination de la graisse. Mais sachez que l'excès d'eau contenu dans votre organisme sera évacué, sous forme de sueurs ou d'urines, dès que l'intensité de votre métabolisme aura augmenté et que vous vous serez adapté à votre nouveau mode de vie, ce qui résultera en une perte de kilos. N'oubliez pas non plus que les muscles pèsent plus que la graisse, et que les résultats sont plus souvent visibles en centimètres qu'en kilogrammes.



2.12. MISE EN MEMOIRE DES PROGRAMMES ET SORTIE D'UN PROGRAMME MIS EN MEMOIRE

Il est possible de mettre en mémoire un programme d'entraînement. Après avoir terminé votre session, procédez comme suit:

1. Après avoir entré le poids de l'utilisateur et confirmé l'entrée avec la touche ENTER, appuyez sur la touche MEMORY.
2. Si vous avez déjà mis un programme en mémoire, l'écran du J 660 affiche d'abord USr 1. Choisissez, avec les touches SET/ADJUST, le programme désiré (Pro 1, Pro 2, Pro 3 etc.) et appuyez sur la touche ENTER.
3. Choisissez, avec les touches SET/ADJUST, le niveau d'intensité désiré (IL 1, IL 2, IL 3 etc.) et appuyez sur la touche ENTER.
4. Commencez l'entraînement. Au besoin, il est possible, pendant l'exercice, d'augmenter ou de diminuer la vitesse et/ou l'inclinaison du tapis.
5. Lorsque le programme prend fin ou que vous voulez arrêter l'entraînement, appuyez sur STOP (deux fois, si vous interrompez l'entraînement au cours du programme).
6. L'écran affiche: "Save no". Si vous voulez mettre en mémoire le programme que vous venez de réaliser ou bien les modifications que vous venez d'apporter à un programme existant, appuyez sur l'une des touches SET/ADJUST. L'écran affiche alors "Save yes". Appuyez sur ENTER.
7. Le programme a été mis en mémoire.

2.13. MESURE DU POULS

L'unité des compteurs du J 660 est équipée d'un récepteur de pulsations et peut ainsi être utilisée avec des plusieurs émetteurs sans fil POLAR (disponible en option pour le J 660).

Il a été prouvé que la meilleure façon de mesurer le pouls est de le faire à l'aide d'un couple émetteur-récepteur sans fil, dans lequel les électrodes de l'émetteur fixé au niveau de la poitrine envoient les pulsations à l'unité des compteurs à travers le champ électromagnétique existant entre l'émetteur et le récepteur.

Si vous désirez plus d'informations sur ce procédé de mesure et si vous désirez vous procurer un tel émetteur sans fil, prenez contact avec votre vendeur.

2.13.1. UTILISATION D'UN EMETTEUR SANS FIL POLAR

ATTENTION! SI VOUS AVEZ UN STIMULATEUR CARDIAQUE, VOUS POUVEZ UTILISER L'EMETTEUR DE PULSATIONS SEULEMENT AVEC UNE ACCEP-TATION DE VOTRE MEDECIN!

Commencez par bien mouiller, avec de l'eau ou votre salive, **les électrodes de la ceinture de l'émetteur** qui seront en contact avec la peau de votre poitrine.

Si vous utilisez un T-shirt fin, mouillez également les endroits du T-shirt en contact avec les électrodes.

Placez la ceinture sous les muscles pectoraux de façon à ce que les électrodes de l'émetteur restent constamment en contact avec votre peau tout au long de l'exercice. Ne serrez cependant pas trop la ceinture: vous devez pouvoir respirer normalement.

ATTENTION! Si les électrodes ne sont pas suffisamment mouillées, l'écran n'affichera pas votre pouls. Donc si les électrodes se sont asséchées en contact avec votre peau, il vous faudra les mouiller à nouveau.

Prenez soin également de réchauffer les électrodes à la température de votre corps afin d'obtenir un résultat fiable.

Pour que l'émetteur puisse transmettre votre fréquence cardiaque à l'unité des compteurs, il ne faut pas qu'il soit à plus d'un mètre de distance. La valeur du pouls est affichée sur l'écran lorsqu'un voyant lumineux apparaît près de PULSE sur l'unité des compteurs et clignote au rythme des battements du coeur.

ATTENTION! Si plusieurs récepteurs sont utilisés en même temps, il faut qu'ils soient espacés d'au moins 1,5 m. Inversement, si il n'y a qu'un récepteur pour plusieurs émetteurs, seule une personne portant un émetteur peut se trouver à l'intérieur du rayon d'émission.

L'émetteur arrête de fonctionner dès que vous le retirez. Pour garantir un bon fonctionnement, il est recommandé de bien sécher l'émetteur après usage.

3. REGLAGES

Surveillez la course du tapis pendant l'entraînement et effectuez immédiatement les opérations de réglage décrites ci-dessous si nécessaire.

3.1. REGLAGE DE L'ALIGNEMENT DU TAPIS

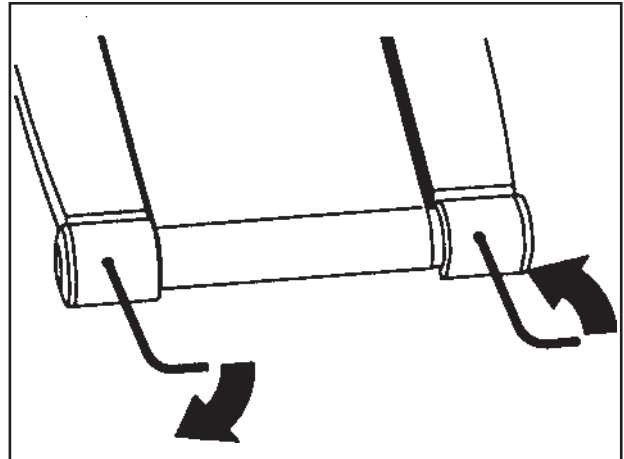
En marche, le tapis doit tourner bien en ligne. En général, si l'appareil a été placé sur une surface bien plane et si le tapis est tendu comme il faut, il n'y aura pas à régler l'alignement du tapis. A l'usage cependant, du fait par exemple que le mouvement de course de l'utilisateur peut être irrégulier, il peut arriver que le tapis se mette à dévier sur le côté. Procédez alors comme suit:

1. Mettez votre appareil sur secteur en appuyant sur l'interrupteur se trouvant sur le bord avant et réglez la vitesse à env. 5 km/h (3 mph).
2. Si le tapis dévie vers la gauche, tourner la vis gauche se trouvant à l'arrière du tapis d'un huitième de tour dans le sens horloge et la vis droite d'un huitième de tour dans le sens inverse

3. Si par contre le tapis dévie vers la droite, tourner la vis droite se trouvant à l'arrière du tapis d'un huitième de tour dans le sens horloge et la vis gauche d'un huitième de tour dans le sens inverse.

ATTENTION! Tourner les vis d'un huitième de tour influe déjà grandement sur la course du tapis et il est donc conseillé de tourner les vis peu à la fois.

4. Vérifiez que le tapis tourne maintenant bien en ligne. Dans le cas contraire, poursuivez comme indiqué précédemment.



Ce réglage est important car si on laisse le tapis dévier sur un côté, il risque d'apparaître des anomalies de fonctionnement. **La garantie ne couvre pas ces anomalies éventuelles.**

3.2. REGLAGE DE LA TENSION DU TAPIS

Si en utilisation normale le tapis commence à patiner, il faudra régler sa tension.

ATTENTION! Laissez tout de même toujours le plus de jeu possible.

Le réglage de la tension du tapis s'effectue à l'aide des mêmes vis que ceux de l'alignement.

1. Mettez votre appareil sur secteur en appuyant sur l'interrupteur se trouvant sur le bord avant et réglez la vitesse à env. 5 km/h (3 mph).
 2. Tourner les deux vis d'un huitième de tour dans le sens horloge.
 3. Ralentissez la marche du tapis en faisant comme si vous descendiez le long d'une pente raide.
- REMARQUEZ** que si vous ralentissez trop fortement, il est normal que le tapis se mette à patiner.
4. Si le tapis continue à patiner, répétez les points 2 et 3.

4. ENTRETIEN

Nous recommandons fortement de procéder régulièrement à l'entretien. Si vous souhaitez qu'un technicien qualifié prenne en charge l'entretien, contactez votre revendeur local pour le détail des services offerts et des charges.

Vérifiez de temps en temps que les vis et les écrous sont bien serrés. Ne les serrez jamais trop pour éviter de les endommager.

4.1. NETTOYAGE ET VERIFICATION DE L'ETAT DU TAPIS

Eteignez votre appareil avec l'interrupteur secteur et retirez le fil électrique de la prise de courant et de l'appareil. Faites basculer l'appareil sur son flanc et nettoyez la surface intérieure du tapis avec une brosse assez grosse. N'utilisez pas de solvant. Continuez cette opération sur tout le tapis en le faisant tourner à la main. Desserrez au besoin les vis de réglage de la tension du tapis. Remettez l'appareil dans sa position normale.

Si les bords du tapis sont usés, vérifiez que le tapis tourne bien en ligne (voir 3.1. REGLAGE DE L'ALIGNEMENT DU TAPIS). Si les bords du tapis sont en très mauvais état, prenez contact avec votre vendeur.

4.2. NETTOYAGE DE L'APPAREIL

Nettoyez la barre de soutien et l'unité des compteurs à l'aide d'un chiffon humide. N'utilisez pas de solvant.

Dépoussiérez les parties visibles du châssis (entre autres tapis, plateforme et bords) régulièrement à l'aide d'un aspirateur avec bouche d'aspiration de petite taille. Passez aussi le dessous du tapis à l'aspirateur. Pour ce faire, il vous faudra basculer l'appareil sur son flanc.

Nettoyez les rouleaux annuellement. Desserrez les vis de réglage et nettoyez les rouleaux avec une brosse assez grosse. Resserrez les vis et vérifiez aussi l'alignement et la tension du tapis et réglez au besoin (voir 3.1. REGLAGE DE L'ALIGNEMENT DU TAPIS et 3.2. REGLAGE DE LA TENSION DU TAPIS).

4.3. PROCEDURE DE GRAISSAGE DE LA PLAQUE DE BASE

Le graissage est la plus importante des opérations d'entretien. Le graissage est inévitable et doit impérativement être effectué dès que la friction du tapis augmente ou que le moteur s'échauffe. L'intervalle entre deux graissages ne doit en aucun cas dépasser 200 km d'utilisation; nous recommandons une lubrification une fois par mois. Au cours des 200 premiers kilomètres d'utilisation, la plaque de base doit être lubrifiée tous les 50 km. Un graissage insuffisant conduit à l'usure et à la détérioration du tapis, de la plaque de base et du moteur.

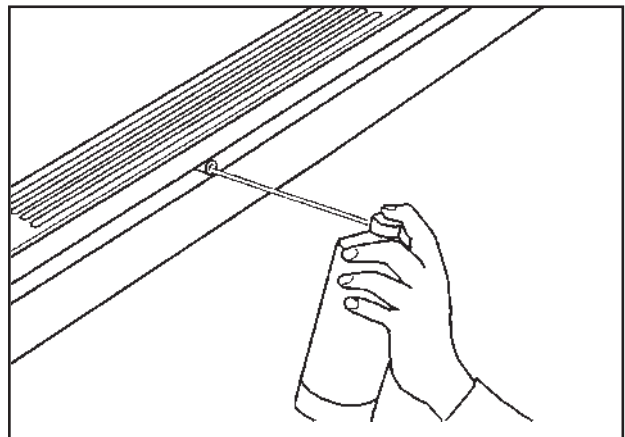
IMPORTANT! L'appareil doit impérativement être graissé avant sa mise en service. Effectuez le graissage avec soin et conformément aux instructions données ci-dessous.

La fréquence du graissage dépend beaucoup du poids et de la façon de courir de l'utilisateur: un poids élevé avec une faible vitesse de tapis provoquent une fatigue de l'appareil qui demande alors un soin particulier pour ce qui est du graissage. N'utilisez pour le graissage de votre appareil que l'huile téflon livrée avec celui-ci. Pour vous approvisionner en huile téflon, contactez votre vendeur.

IMPORTANT! L'utilisation de silicone pour le graissage de l'appareil est absolument interdit! IMPORTANT! Si le tapis n'est pas utilisé pendant au moins 3 semaines, il doit être lubrifié avec soin selon les instructions.

Appliquez le téflon en utilisant la bombe fournie avec ces instructions. Suivez soigneusement ceci et les instructions de sécurité sur la bombe de téflon.

1. Faites fonctionner votre tapis lentement et pulvérisez le téflon dans le tube de graissage sous le tapis.
2. Quand le téflon est appliqué pour la première fois, le temps de pulvérisation doit être d'environ 20 secondes. Ensuite 10 secondes de pulvérisation sont suffisantes.
3. Le téflon coule à travers le tube de graissage jusqu'au centre de la courroie moteur, le tapis est prêt à être utilisé.



Assurez-vous qu'après chaque lubrification du tapis, une bande d'environ 20 cm sous la bande de course soit recouverte de téflon sur toute sa longueur. Si nécessaire, pulvérisez directement le téflon sous la bande de course.

4.4. CODES D'ANOMALIES DE FONCTIONNEMENT

Afin de détecter certaines anomalies de fonctionnement pouvant apparaître dans l'électronique de l'appareil, l'appareil est équipé d'un système de détection de ces anomalies.

Il est évident que ce système ne peut détecter toutes les anomalies possibles mais il est capable en tout cas de détecter les anomalies les plus probables après une longue utilisation. Ces anomalies sont indiquées sous forme de code (voir tableau ci-dessous) qui apparaît sur l'écran de l'unité des compteurs.

CODE	ANOMALIE
E1	Le capteur vitesse ne reçoit aucun signal (le capteur ne détecte pas le mouvement du tapis)
E4	Défaut dans le mécanisme de levage ou les capteurs levage
E7	Défaut dans le logiciel
E8	Vitesse du tapis supérieure à la vitesse mise en mémoire

Si un code d'anomalie s'affiche à l'écran ou si l'appareil présente un défaut de fonctionnement, veuillez procéder de la manière suivante:

1. Eteignez votre tapis pendant une minute et remettez le ensuite en marche.
2. Assurez-vous que la clé de verrouillage de sécurité soit correctement insérée.
3. Assurez-vous que la prise soit correctement branchée.
4. Assurez-vous que le tapis soit correctement lubrifié (voir 4.3. PROCEDURE DE GRAISSAGE DE LA PLAQUE DE BASE).
5. Si le code d'erreur ne disparaît pas après les opérations de maintenance ci-dessus, veuillez contacter votre revendeur TUNTURI. Veuillez toujours lui donner le code d'erreur et le numéro de série (inscrit sur l'étiquette située à l'avant et du côté droit du tapis).

tEtH La clé de verrouillage de sécurité n'est pas en place sous l'unité des compteurs

En dépit d'un contrôle continu de la qualité, l'appareil peut présenter des défauts ou des anomalies de fonctionnement provenant de certains de ses composants. Dans ce cas, il n'est pas cependant nécessaire d'aller faire réparer votre appareil, le problème pouvant bien souvent être résolu par simple changement de la pièce défectueuse.

4.5. VALEURS CUMULEES

Le total des heures d'utilisation de l'appareil et le total de la distance parcourue au cours de toutes les sessions d'entraînement sont automatiquement enregistrés par la mémoire de l'unité des compteurs. Si vous voulez connaître ces valeurs par ex. dans le cadre de mesures d'entretien, procédez comme suit:

1. Appuyez sur STOP et en même temps sur SCAN/SELECT (l'unité des compteurs doit être en "Entrée du poids de l'utilisateur"). L'unité des compteurs est maintenant en mode "Réglages personnels".
2. Appuyez à nouveau sur STOP et en même temps sur SCAN/SELECT et ENTER.
3. L'écran affiche successivement le total des heures d'utilisation, la distance totale parcourue et la version du logiciel de l'appareil.
4. Pour sortir de l'affichage des valeurs cumulées, appuyez deux fois sur ENTER.

5. TRANSPORT ET RANGEMENT

Le J 660 est facile à déplacer sur ses roulettes de transport situées à l'avant. Avant tout déplacement, retirez le fil électrique et de la prise secteur et de l'appareil.

REMARQUEZ qu'il peut être nécessaire d'ajuster à nouveau l'alignement du tapis après un déplacement de l'appareil (voir 3.1. REGLAGE DE L'ALIGNEMENT DU TAPIS).

Pour garantir un bon fonctionnement à votre appareil, rangez-le dans un endroit sec, sans variations de température importantes, et protégez-le contre les poussières. N'oubliez pas de débrancher votre appareil après chaque utilisation.

IMPORTANT! Si le tapis n'est pas utilisé pendant au moins 3 semaines, il doit être lubrifié avec soin selon les instructions.

6. CARACTERISTIQUES TECHNIQUES

Longueur	150 cm
Hauteur	125 cm
Largeur	90 cm
Poids	71 kg
Longueur de la surface de course	135 cm
Largeur de la surface de course	44 cm
Vitesse	1.5-16 km/h /1-10 mph
Angle d'inclinaison	0-10%
Unité des compteurs	Distance, angle d'inclinaison, mesure du pouls (option), durée, temps pour parcourir un km / un mille, vitesse, énergie consommée Affichage cristaux liquides 5 programmes standards + possibilité de mémoriser 1 programme
Moteur	1,5 ch
Mécanisme de transmission	Transmission par courroie
Matériau du châssis	Acier soudé, peinture à poudre
Poids utilisateur max.	110 kg

Les appareils TUNTURI ont été conçus afin de satisfaire aux exigences posées par la directive communautaire concernant la compatibilité électromagnétique (EMC). Les produits portent en conséquence le label CE.

Les tapis TUNTURI sont conformes aux normes DIN de définition et de sécurité (DIN 32933-1+3).

Nous nous réservons le droit de modifier les caractéristiques techniques de nos appareils.

INFORMACION Y PRECAUCIONES

LEA CON ATENCIÓN TODO ESTE MANUAL ANTES DE MONTAR, USAR Y REVISAR LA MÁQUINA DE CAMINAR. SIGA CON ATENCIÓN LAS INSTRUCCIONES DADAS EN ESTE MANUAL.

ESTE EQUIPO ESTA PROYECTADO PARA USO DOMESTICO. LA GARANTIA TUNTURI CUBRE UNICAMENTE LOS DEFECTOS Y FALLOS PRODUCIDOS DURANTE EL USO DOMESTICO. POR FAVOR ANOTE QUE LA GARANTÍA NO CUBRE NINGÚN DAÑO PRODUCIDO POR NEGLIGENCIA EN AJUSTE Ó FALTA DE MANTENIMIENTO DE LAS INSTRUCCIONES DESCRITAS EN ESTE MANUAL.

Antes de conectar la máquina de caminar a la corriente compruebe si el voltaje de su instalación es el que figura en la placa de características de la máquina. Esta máquina funciona a 230 V o a 115 V. El consumo máximo de la máquina es de 10 A/20 A. Esta máquina sólo se debe enchufar a un enchufe con toma de tierra. No enchufe nunca la máquina a una alargadera.

Los enchufes a los que se conecten otros aparatos o cuya corriente fluctúe en más de un 5 por 100 pueden producir el funcionamiento errático de la máquina o afectar negativamente a su electrónica. El uso de una corriente eléctrica distinta a la especificada en este Manual anula la garantía explícita o tácita de la máquina.

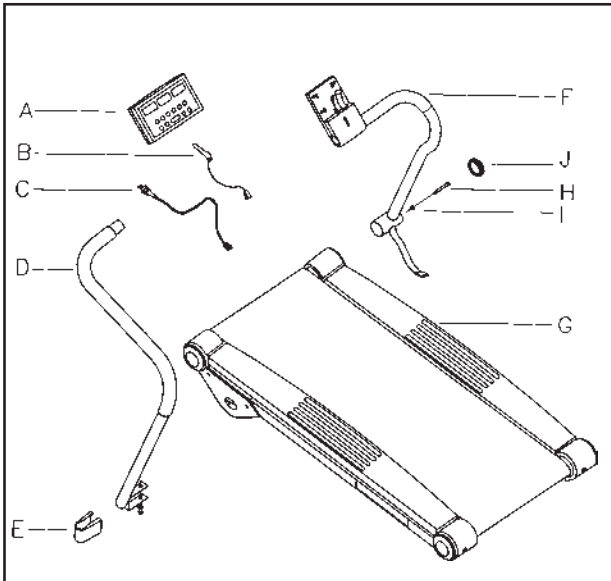
- * Antes de empezar a usar la máquina compruebe si todo funciona bien. No use la máquina si está defectuosa.
- * **No intente hacer revisiones o ajustes no descritos en este Manual. Siga al pie de la letra las instrucciones de servicio.**
- * No use la máquina sin las tapas o protectores laterales.
- * Antes de hacer cualquier tarea de montaje o mantenimiento compruebe si la máquina está apagada y desenchufada.
- * Desenchufe siempre la máquina de caminar del enchufe al final de cada sesión de ejercicio.
- * No desenchufe la máquina tirando del cordón.
- * No use la máquina en exteriores.
- * Coloque la máquina de caminar sobre una superficie dura y horizontal. Deje unos 120 cm de espacio detrás de la máquina y unos 60 a cada lado y delante.
- * Los padres u otros responsables de los niños deben saber que la curiosidad y ganas de jugar naturales en los niños pueden llevar a situaciones y comportamientos para los que no está prevista la máquina. Si se deja a los niños usar la máquina se debe hacer bajo supervisión y enseñándoles a usarla correctamente, teniendo en cuenta la edad física y mental y la personalidad del niño o niña. Una máquina de caminar no es un juguete.
- * Esta máquina está equipada con un cordón con enchufe con toma de tierra. No cambie la clavija suministrada con la máquina. Si no la puede enchufar a su enchufe, pida a un electricista autorizado o a una persona familiarizada con el mantenimiento de aparatos electromecánicos que le instale uno adecuado, que cumpla además las normas en vigor.
- * No aplique a la máquina silicona, pues podrían afectar a esa superficie.
- * Antes de usar la máquina de caminar familiarícese con los ajustes, pantallas y teclas.

OBSERVE ADEMÁS

- * **Antes de empezar cualquier ejercicio consulte con un médico y hágase un chequeo.**
- * Si durante el ejercicio experimenta náuseas, mareos u otros síntomas anormales, pare inmediatamente y consulte a su médico.
- * La máquina sólo se debe usar por una persona cada vez.
- * Agárrese al manillar al subir o bajar de la máquina y cuando cambie de velocidad. No salte de la máquina mientras esté en movimiento.
- * Mantenga las manos alejadas de las piezas móviles. No ponga nunca las manos, los pies u otros objetos bajo la máquina de caminar.
- * Para hacer ejercicio lleve ropa y calzado adecuado. Atese bien los cordones de los zapatos. Para evitar heridas o un desgaste innecesario de la máquina, limpie bien la suela de sus zapatos de las piedras o gravilla que pudiera tener.
- * **Esta máquina de caminar está equipada con una llave de seguridad. Si se quita la llave de la cerradura que hay cerca de la pantalla, la máquina se para inmediatamente. Procure poner el cordón desde la llave de seguridad hasta algún lugar de su ropa para poder tirar de la llave inmediatamente si fuera necesario.**
- * Empezar y termine el ejercicio con ejercicios de estiramiento.
- * Esta máquina no está recomendada para personas que pesen más de 110 kg.
- * La información ofrecida en este manual es de buena fe y lo más exacta posible. No obstante, cualquiera que use esta información para instalar, usar o revisar la máquina de caminar lo hace bajo su propio riesgo.

1. MONTAJE

Antes de montar la máquina compruebe si en el embalaje están todas las piezas:



- A Contador
 B Llave de seguridad con cordón (+ una llave de repuesto)
 C Cordón
 D Manillar izquierdo
 E Tapa de la abrazadera del manillar
 F Manillar derecho con la base del contador
 G Parte principal
 Se incluyen los siguientes elementos de montaje:
 H Dos tornillos allen M8 x 80 mm
 I Dos arandelas planas
 J Una tapa embellecedora blanca
 1 llave allen de 6 mm
 1 destornillador

Si falta alguna pieza, póngase en contacto con el vendedor, indique el modelo (J 660), número de serie y número de la pieza que falta, de la lista que verá al final del manual.

Cuando haya sacado del paquete la máquina y todas las piezas, móntela como sigue (izquierda, derecha, delante y detrás se refieren a las posiciones vistas como si estuviera haciendo ejercicio).

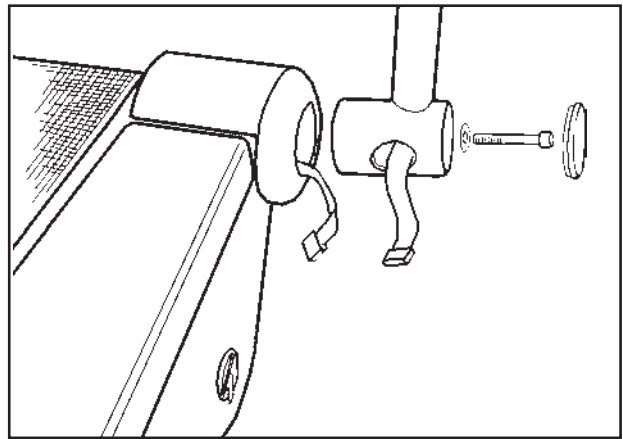
1.1. MONTAJE DE LOS MANILLARES

NOTA: No apriete los tornillos hasta haber montado completamente los dos manillares.

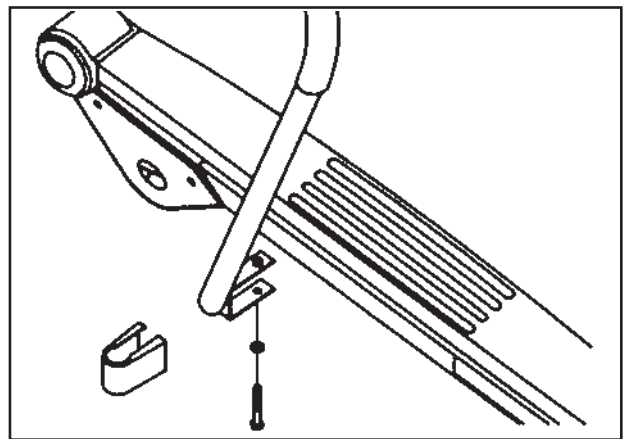
Quite y tire la bolsa con silicato que lleva el manillar derecho en su parte inferior. Esta bolsa sirve sólo para absorber la humedad durante el transporte y almacenaje.

Saque el cable plano de la tapa de la parte derecha del manillar e instale esa parte derecha en la parte delantera derecha de la máquina. Sujétela con un tornillo allen y una arandela. **NOTA: El cable plano pasa entre la tapa lateral y el manillar.** Tape el extremo del manillar derecho con el embellecedor blanco.

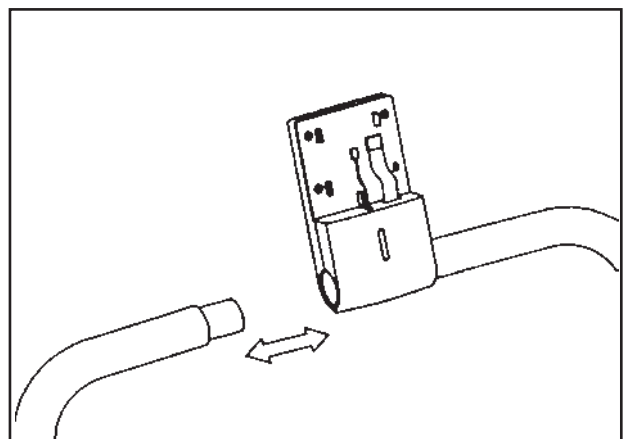
¡PRECAUCION! Tenga cuidado de no pillar ni estropear el cable.



Meta el manillar izquierdo por el raíl del armazón de la máquina y sujételo con un tornillo allen y una arandela. Si fuera necesario incline la máquina hacia un lado con ayuda de otra persona. Coloque la tapa de la abrazadera del manillar metiéndola por el extremo inferior del manillar izquierdo.



Meta el extremo del manillar izquierdo por la base de plástico del contador que lleva el manillar derecho.



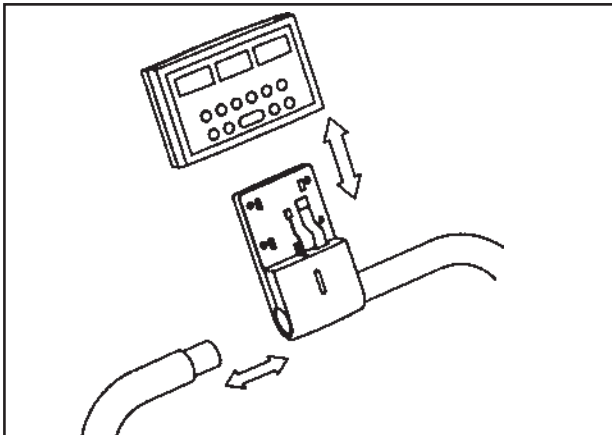
Cuando la parte superior del manillar izquierdo esté metida por el manillar derecho, apriete los tornillos de la parte inferior de la base del contador sujetando bien los manillares.

Tenga cuidado de no pillar ni estropear el cable plano que pasa por dentro del manillar derecho.

Apriete los tornillos de sujeción de los dos manillares.

1.2. MONTAJE DEL CONTADOR

Enchufe el cable del pulso y el cable plano a los conectores que hay en la parte posterior de la pantalla. Meta los cables por dentro de la base del contador y meta el contador con cuidado sobre la base.

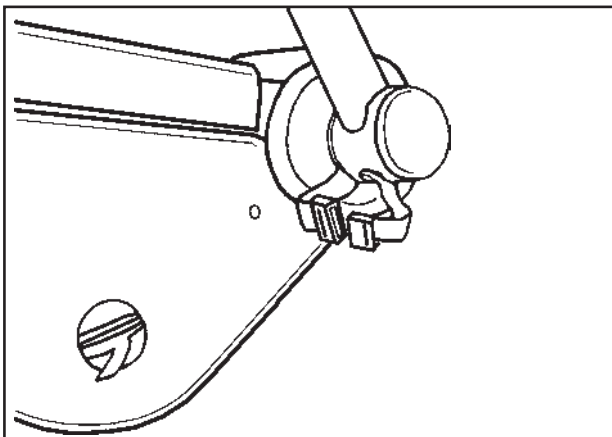


Tenga cuidado de no pillar ni estropear los cables.

Quite ahora la película protectora que lleva la pantalla.

1.3. CONEXION DEL CABLE DEL CONTADOR

Conecte el extremo inferior del cable plano que sale de la máquina con el extremo superior que sale del manillar derecho. Meta el cable por el manillar derecho para que no se estropee.

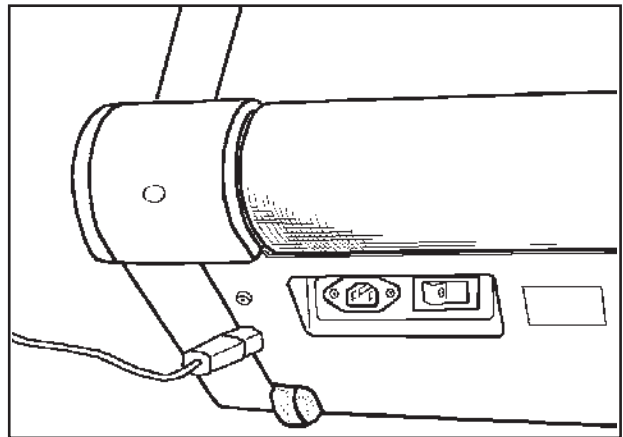


1.4. CONEXION DE LA MAQUINA A LA CORRIENTE

Conecte la clavija pequeña del cable en el enchufe que lleva la máquina en la parte delantera inferior derecha.

Antes de enchufar su máquina a la corriente compruebe si el voltaje que aparece en su placa de características (en el extremo inferior derecho, cerca del enchufe) corresponde con el de su instalación.

¡ATENCIÓN! Es imprescindible lubricar cuidadosamente la cinta de andar instalada con el teflón que se encuentra en el empaque antes de usarla (ver 4.3 LUBRICACIÓN DE MANTENIMIENTO DEL APARATO)!



2. USO

Encienda la máquina con el interruptor que hay en su parte inferior derecha.

Cuando encienda la máquina, en la pantalla del contador de la J 660 aparecerá "enter weight", anote el peso (vea 2.5. ANOTE SU PESO).

2.1. PONER LA LLAVE DE SEGURIDAD

La máquina de caminar está equipada con una llave de seguridad. Si se quita la llave de la cerradura que hay cerca de la pantalla, la máquina se parará inmediatamente.

Meta la llave de seguridad amarilla en la base del contador. Sujete el clip del otro extremo del cordón de la llave a su camisa o sudadera.

NOTA: Si la llave no está bien metida, la máquina no se puede usar y el contador no funciona bien (aparece en pantalla el aviso "teth").

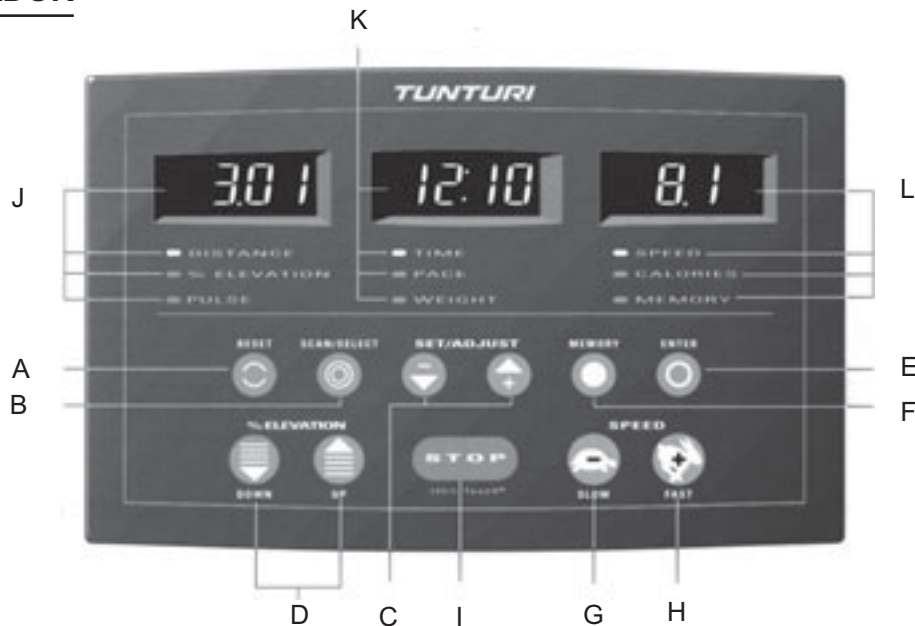
2.2. EJERCICIO

Ejercicio con la J 660 es una excelente manera de hacer ejercicio aeróbico. La idea básica es que se puede hacer un ejercicio durante bastante tiempo. **Haga ejercicio durante unos 30 minutos por lo menos tres veces por semana. Así conseguirá ponerse en forma.** Luego, para mantenerse, le bastará hacerlo dos veces por semana. Cuando llegue a esta fase, le será fácil mejorar su forma física sin más que aumentar la frecuencia de los ejercicios.

El ejercicio siempre es bueno para perder peso, pues es la única manera de aumentar la energía consumida por el cuerpo. Por eso siempre vale la pena combinar el ejercicio periódico con una dieta sana. Una persona que quiera perder peso debe hacer ejercicio todos los días (al principio unos 30 minutos o algo menos, pero aumentado poco a poco la duración hasta llegar a una hora diaria). Empiece cada día ejercicio despacio, pues una persona con exceso de peso que haga ejercicio violento puede someter su sistema cardiovascular a un esfuerzo excesivo.

Para medir la eficacia del ejercicio, controle su pulso. El contador de pulso permite vigilar continuamente el pulso durante el ejercicio para saber si es suficientemente eficaz pero soportable (vea 2.13. MEDIDA DEL PULSO).

2.3. CONTADOR



2.3.1. TECLAS

- A) RESET (PUESTA A CERO)**
Mientras funciona la máquina: pone a cero el tiempo, la distancia y las kilocalorías. Con la máquina parada: pone el contador en su posición inicial ("anote el peso"). Para continuar, escriba el peso con las teclas de flechas y pulse después ENTER o simplemente pulse ENTER y la máquina tomará el peso que tiene programado.
- B) SCAN/SELECT (BARRIDO/SELECCION)**
Pulsando esta tecla una vez hace un barrido de los distintos valores que aparecen en pantalla. Pulsándola una segunda vez se para el barrido y el ordenador presenta los parámetros programados.
- C) TECLAS DE FLECHAS ARRIBA Y ABAJO (PROGRAMAR/AJUSTAR)**
Estas teclas se usan para escribir el peso (en kg o lbs) para calcular el consumo de energía y para programar los parámetros programables por el usuario.
- D) TECLAS UP Y DOWN, % ELEVATION (INCLINACION DE LA MAQUINA)**
La tecla UP va bajando la parte trasera de la máquina en pasos del 1 %. La tecla DOWN va levantando la parte trasera de la máquina en pasos del 1 %.
- E) ENTER (CONFIRMAR)**
Con esta tecla se confirma el peso después de escribirlo. También se usa para confirmar los valores programables.
- F) MEMORY (MEMORIA)**
Esta tecla se usa para salvar los valores programados y abrir uno de los cinco modos de trabajo preprogramados o el modo manual.
- G) TORTUGA (SPEED/SLOW o VELOCIDAD BAJA)**
Reduce la velocidad de la cinta en pasos de 0,1 km/h (o 0,1 mph).
- H) LIEBRE (SPEED/FAST o VELOCIDAD RAPIDA)**
Aumenta la velocidad de la cinta en pasos de 0,1 km/h (o 0,1 mph).
- I) STOP (PARADA)**
Para el motor y la cinta de la máquina. Si se pulsa una vez pone la máquina en modo "pausa". Todos los datos del ejercicio (p.ej., velocidad e inclinación de la máquina) se salvan temporalmente en la memoria del contador de 1 a 5 minutos, dependiendo de la duración de la pausa (ver 2.4. PROGRAMACION POR EL USUARIO). Esta función le permite hacer una pausa en el ejercicio durante algunos minutos y continuarlo después sin perder los datos guardados en la memoria. Si pulsa la tecla STOP dos veces o al terminar la pausa, el contador continuará presentando los valores acumulados de su ejercicio pero no podrá continuar trabajando con esos valores.

2.3.2. FUNCIONES

Cada función lleva al lado una luz que se enciende cuando esa función está activada.

DISTANCE (DISTANCIA)

Indica la distancia recorrida durante la sesión de ejercicio en km o millas (00.0-99.9).

% ELEVATION (INCLINACION EN %)

Indica la inclinación de la máquina en % (0-10 %).

PULSE (PULSO), OPCIONAL

Indica las pulsaciones por minuto (ver 2.14. MEDIDA DEL PULSO).

TIME (TIEMPO)

Indica el tiempo que dura la sesión de ejercicio en minutos y segundos (00.00-99.59 minutos, en pasos de 1 segundo).

PACE (RITMO)

Indica el tiempo que tarda usted en andar o correr un km o una milla a la velocidad a la que está andando.

WEIGHT (PESO)

Indica el peso que ha escrito usted (máx. 110 kg).

SPEED (VELOCIDAD)

Indica la velocidad a la que circula la cinta en km/h (1.5-16.0 km/h) o mph (1.0-10.0 mph).

CALORIES (CALORIAS)

Indica el consumo estimado de energía en kilocalorías (0-999 kcal). El contador utiliza los valores de peso, tiempo, velocidad e inclinación para calcular las calorías acumuladas que quema usted durante la sesión de ejercicio. Como cada persona quema distinta cantidad de calorías (eficacia calórica), este valor es una aproximación del consumo real.

MEMORY (MEMORIA)

La luz al lado de la palabra MEMORY se enciende cuando se utiliza un programa almacenado en la memoria de la máquina.

2.4. PROGRAMACION POR EL USUARIO

La máquina de caminar lleva un modo programable por el usuario que le permite elegir ciertos parámetros: unidades métricas (km, km/h, kg) o inglesas (milla, mph, lbs), activar o desactivar un pitido y programar la duración de las pausas. Además podrá activar o desactivar la protección de la memoria para salvar estos valores.

1. Cuando la pantalla del contador esté en modo "enter weight" pulse al mismo tiempo las teclas STOP y SCAN/SELECT.
2. En la pantalla aparecerá "EngL" (unidades inglesas) o "ISO" (unidades métricas). Elija el valor deseado con las teclas de flechas.
3. Pulse otra vez la tecla "SCAN/SELECT". En la pantalla aparecerá "Aud 1" (pitido activado) o "Aud 0" (desactivado). Elija el valor deseado con las teclas de flechas.
4. Pulse otra vez la tecla SCAN/SELECT. En la pantalla aparecerá "to 1", "to 2", "to 3", "to 4" o "to 5" (final). Este es el valor de duración de la pausa. Si por ejemplo elige "to 4", el contador memoriza los datos del ejercicio durante cuatro minutos, permitiéndole seguir el ejercicio durante ese tiempo sin que se pierdan los datos numéricos. Elija el valor deseado con las teclas de flechas.
5. Pulse otra vez la tecla SCAN/SELECT. En la pantalla aparecerá "PENb" (protección de la memoria desactivada) o "PdIS" (protección de la memoria activada). Si está activada la protección de la memoria, no se pueden modificar los programas de entrenamiento salvados en la memoria. Elija el valor deseado con las teclas de flechas.
6. Para volver al modo inicial de pantalla pulse la tecla ENTER.

2.5. ANOTE SU PESO

Cuando encienda la máquina J 660 en la pantalla del contador aparecerá "tunturi J 660" y a continuación "enter weight" (anote su peso).

1. La luz que hay al lado de la tecla WEIGHT parpadea y en la pantalla aparece el último peso anotado.
2. Escriba su peso en kg o lbs con las teclas de flechas. La unidad dependerá de lo que haya programado anteriormente.
3. Pulse ENTER para confirmar el peso escrito.
4. Se enciende la luz al lado de la tecla SPEED y en la pantalla de velocidad aparece 0.0.

2.6. COMIENZO DEL EJERCICIO

Al subir o bajar de la máquina y al cambiar de velocidad durante el ejercicio, agárrese bien al manillar. No salte de la máquina mientras esté en movimiento.

Cuando no ande, coloque los pies en los raíles izquierdo y derecho. No permanezca de pie sobre la cinta en movimiento.

2.7. MODO MANUAL O PROGRAMADO

2.7.1. MODO MANUAL

Si no quiere usar un ejercicio programado (ver 2.7.2 MODO PROGRAMADO), empiece el ejercicio pulsando una vez la tecla de la LIEBRE (SPEED/FAST). La cinta empezará a moverse a 1,5 km/h (o 1,0 mph). Sujétese bien al manillar y empiece a andar con cuidado sobre la cinta. Una vez bien situado aumente la velocidad pulsando varias veces la tecla de la liebre hasta alcanzar la velocidad deseada. Para reducir la velocidad de la cinta pulse la tecla de la TORTUGA (SPEED/SLOW).

¡PRECAUCION! No empiece nunca a andar sobre la cinta a una velocidad superior a 1,5 km/h o 1,0 mph.

Si quiere, puede cambiar el ángulo de inclinación de la máquina durante el ejercicio con las teclas de flechas hacia arriba o hacia abajo. La tecla UP (ARRIBA) va aumentando la inclinación de 1% en 1%, bajándose la parte trasera de la máquina. La tecla DOWN (ABAJO) va reduciendo la inclinación de 1% en 1%, elevándose la parte trasera.

2.7.2. MODO PROGRAMADO

Si quiere elegir uno de los programas preprogramados o programar el suyo, pulse la tecla MEMORY (MEMORIA). **NOTA:** Si no ha grabado usted su propio programa de entrenamiento, sólo podrá utilizar uno de los preprogramados. Elija la alternativa deseada con las teclas de flechas (SET/ADJUST) y una vez elegido el programa confírmelo pulsando ENTER.

Si ha elegido uno de los ejercicios preprogramados, pulse las teclas de flechas (SET/ADJUST) hasta que aparezca el programa deseado: **IL 1 = Principiante, IL 2 = Intermedio, IL 3 = Intermedio avanzado, IL 4 = Avanzado e IL 5 = Atlético.** Una vez elegido el programa, confírmelo pulsando ENTER.

Empiece el programa pulsando la tecla de la LIEBRE (SPEED/FAST). La pantalla parpadea dos veces y la cinta empieza a moverse. El contador también lanza un pitido durante 15 segundos antes de cada cambio de velocidad y/o inclinación de la máquina programados en el ejercicio.

2.8. FUNCION DE BARRIDO (SCAN)

Si pulsa la tecla SCAN/SELECT una vez, el ordenador barre todas las funciones. El barrido de cada pantalla dura tres segundos. **NOTA:** Sólo aparece el valor del pulso si tiene el transmisor colocado alrededor del pecho (ver 2.13. MEDIDA DEL PULSO).

Si pulsa otra vez la tecla SCAN/SELECT se interrumpe la función de barrido y el ordenador sigue mostrando la función actual.

2.9. FUNCION DE PAUSA

Si quiere hacer una pausa momentánea en su ejercicio, pulse una vez la tecla STOP (PARADA). Entonces se para la cinta. Todos los datos del ejercicio (p.ej., velocidad e inclinación de la máquina) se salvan temporalmente en la memoria del contador de 1 a 5 minutos, dependiendo de la duración de la pausa programada (ver 2.4. PROGRAMACION POR EL USUARIO).

Para seguir haciendo ejercicio pulse la tecla de la LIEBRE. La cinta volverá a moverse a la última velocidad programada y los contadores reanudan la cuenta de tiempo, distancia y consumo de energía.

Si pulsa la tecla STOP dos veces o al terminar la pausa, el contador continuará presentando los valores acumulados de su ejercicio pero no podrá continuar trabajando con esos valores. Si quiere volver a la pantalla de peso, pulse la tecla RESET o ENTER.

NOTA: Cuando haga una pausa no quite la llave de seguridad, pues entonces se pararía la máquina del todo y se borraría el contador.

2.10. PARA TERMINAR SU SESION DE EJERCICIO

Puede parar la cinta de varias maneras:

1. Pulsando la tecla STOP (PARADA).
2. Quitando la llave de seguridad.
3. Reduciendo poco a poco la velocidad hasta 0.0 km/h o mph con la tecla de la TORTUGA (SPEED/SLOW).
4. Si el ejercicio programado llega al final.

AL FINAL DE CADA SESION DE EJERCICIO ASEGURESE DE QUE:

Recuerde que siempre debe hacer una sesión de estiramiento después de acabar el ejercicio.

Apaga la máquina con el interruptor.

No deja la llave de seguridad puesta.

Desenchufa la máquina del conector y de la corriente.

Guarde el cordón donde no estorbe y fuera del alcance de los niños.

Si fuera necesario, limpie la máquina con un paño húmedo. No use disolventes.

2.11. PROGRAMAS

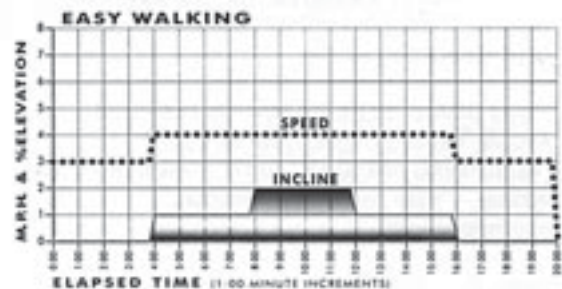
La J 660 tiene cinco programas distintos de ejercicio en su memoria. Además podrá usted grabar sus propios programas (ver 2.12. GRABAR Y SALVAR UN PROGRAMA DE USUARIO).

Cada programa de ejercicio se puede ejecutar a los cinco niveles de intensidad ya referidos, excepto el de "ANDAR", que sólo tiene tres niveles.

Si lo desea podrá cambiar durante el ejercicio la velocidad y la inclinación de la máquina, con independencia de lo que tenga programado.

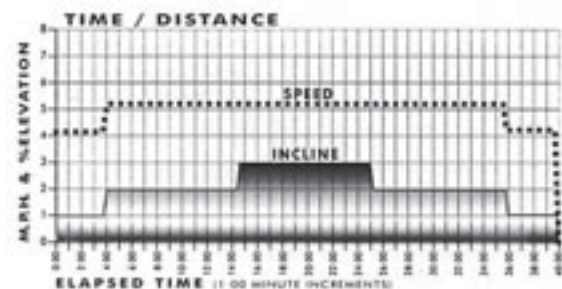
PROGRAMA1: ANDAR

Este programa resulta especialmente adecuado para calentar y enfriar. Durante el programa se producen pequeños cambios de velocidad e inclinación de la máquina. Este programa se puede ejercitar además a tres niveles distintos de esfuerzo. La duración del programa con menos esfuerzo es de 15 minutos, el intermedio de 20 minutos y el de más esfuerzo de 25 minutos.



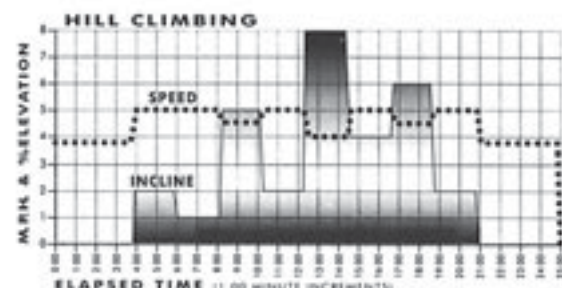
PROGRAMA 2: TIEMPO/DISTANCIA

El programa TIME/DISTANCE refuerza el sistema cardiovascular y los músculos. Ayuda a mantener el nivel de forma conseguido. La duración del programa varía de 20 a 40 minutos, según el nivel de intensidad elegido.



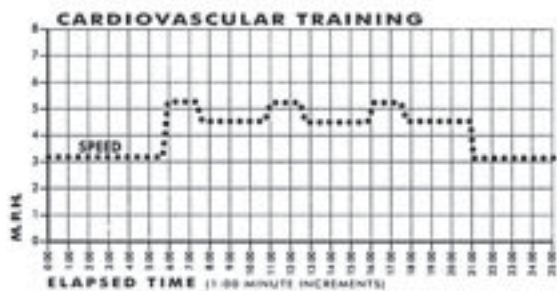
PROGRAMA 3: SUBIR CUESTAS

Programa de preparación cardiovascular. Produce ligeros cambios de velocidad con fuertes cambios de inclinación, para un mayor ejercicio del corazón que aumenta la capacidad cardíaca. La duración del programa varía de 15 a 25 minutos, según el nivel de intensidad elegido.



PROGRAMA 4: ENTRENAMIENTO CARDIOVASCULAR

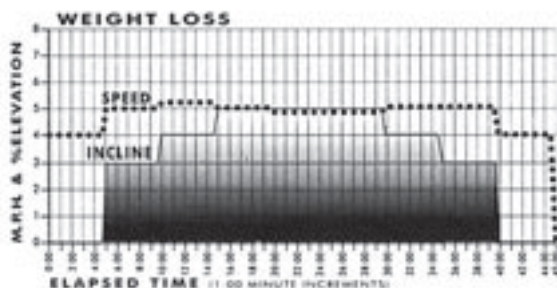
Este programa se basa en el principio de un entrenamiento a intervalos. Aumenta el ritmo cardiaco hasta un 85 por 100 de su capacidad máxima durante varios minutos y después se le deja descansar durante algunos minutos. Este programa aumentará su capacidad cardiovascular para permitir a su cuerpo soportar ejercicios de larga duración. La duración del programa varía de 15 a 35 minutos, según el nivel de intensidad elegido.



PROGRAMA 5: WEIGHT LOSS (PERDIDA DE PESO)

Este programa está desarrollado para los que quieran quemar grasas o mantener su peso actual. Si empieza usted un programa de pérdida de peso, una sesión de ejercicio a alta intensidad sería demasiado extenuante. Por tanto empiece el programa con el Nivel 1 y vaya aumentando poco a poco la intensidad a lo largo de cuatro a seis semanas. Es importante que sus músculos y su metabolismo se acostumbren al nuevo ritmo del ejercicio y al nuevo tipo de vida. La duración diaria del programa varía de 25 a 45 minutos según el nivel de intensidad elegido.

Si quiere perder peso, su consumo de energía debe ser superior a lo que coma. Por tanto, para perder peso debe aumentar la cantidad de ejercicio o disminuir la comida. La pérdida de peso puede ser bastante lenta al principio, pues al quemar grasas aumenta la cantidad de líquido en el cuerpo. Poco a poco ese líquido lo irá eliminando en forma de sudor u orina, a medida que el metabolismo se vaya adaptando al nuevo programa. También es importante que recuerde que los músculos pesan más que la grasa, pero ocupan menos.



2.12. GRABAR Y SALVAR UN PROGRAMA DE USUARIO

Si lo desea, podrá salvar en la memoria del contador los parámetros de su ejercicio una vez terminado. La J 660 le permite salvar un programa. Para ello:

1. Una vez escrito su peso (ver ANOTE SU PESO), pulse la tecla MEMORY.
2. Seleccione un programa (Pro 1, Pro 2, etc.) con las teclas de flechas (SET/ADJUST). Si anteriormente ya había salvado en la memoria un programa de usuario, en la pantalla aparecerá primero Usr 1. Pulse después ENTER.
3. Seleccione el nivel de intensidad deseado (IL 1, IL2, etc.) con las teclas de flechas (SET/ADJUST). Pulse después ENTER.
4. Comience el ejercicio. Podrá ajustar durante el mismo la velocidad y la inclinación, si lo desea.
5. Complete el ejercicio programado hasta el final o para pulsando la tecla STOP (dos veces si está en medio del programa).
6. En la pantalla aparecerá "Save no". Si quiere salvar ese programa concreto en la memoria del contador o los cambios producidos en un programa salvado anteriormente, pulse cualquiera de las teclas de flechas (SET/ADJUST) y en la pantalla aparecerá "Save yes". Pulse entonces ENTER.
7. El programa de ejercicio ha quedado salvado en la memoria del contador y lo podrá utilizar ya como programa de usuario.

2.13. MEDIDA DEL PULSO

La J 660 se fabrican con función de medida del pulso. Quiere decirse que las máquinas llevan un receptor interno compatible con los transmisores de pulso POLAR. Este transmisor se puede adquirir como opción con la J 660.

La medida telemétrica de los latidos del corazón, técnica mediante la que los electrodos de un transmisor sujeto al pecho transmiten los latidos del corazón al contador mediante un campo electromagnético, es una técnica muy fiable.

Si quiere adquirir el transmisor de pulso como accesorio, póngase en contacto con la tienda donde haya adquirido su máquina o con el distribuidor de TUNTURI.

2.13.1. USO DEL TRANSMISOR POLAR DE PULSO

¡NOTA! SI TIENE IMPLANTADO UN MARCAPASOS, SOLO DEBERA UTILIZAR EL TRANSMISOR DE PULSO PREVIA AUTORIZACION DE SU MEDICO.

Si quiere medir teleméricamente su pulso durante el ejercicio, colóque primero la correa elástica al transmisor de pulso.

Moje los electrodos ranurados que lleva la correa del transmisor con saliva o agua. Si lleva el transmisor y la correa sobre una camiseta, **moje también un poco la camiseta en el lugar donde queden instalados los electrodos.**

Sujete el transmisor fuertemente justo debajo del pecho de modo que los electrodos estén en contacto con la piel mientras hace el ejercicio, pero no tan fuerte que le impida respirar bien.

NOTA: Si la superficie de los electrodos no está húmeda, no aparecerá en la pantalla del contador la lectura del pulso. Si los electrodos se secan, humidézcalos de nuevo. Es importante además que los electrodos se calienten a la temperatura del cuerpo para que la lectura del pulso sea exacta.

El transmisor envía automáticamente la lectura del pulso al contador hasta una distancia aproximada de 1 m. Cuando el contador recibe las señales del pulso se enciende la luz que hay al lado de la leyenda PULSE y parpadea al ritmo de los latidos del corazón del usuario.

NOTA: Si hay varios medidores telemétricos cerca unos de otros, debe procurarse que estén a un mínimo de 1,5 m. Del mismo modo, si sólo hay un receptor y varios transmisores, sólo debe haber una persona a la distancia aproximada de un metro del receptor.

El transmisor sólo se activa cuando se utiliza para medir el pulso. Sin embargo el sudor y la humedad pueden mantenerlo activado y por tanto consumiendo pila. Por consiguiente es importante que seque bien los electrodos del transmisor de pulso después de utilizarlo.

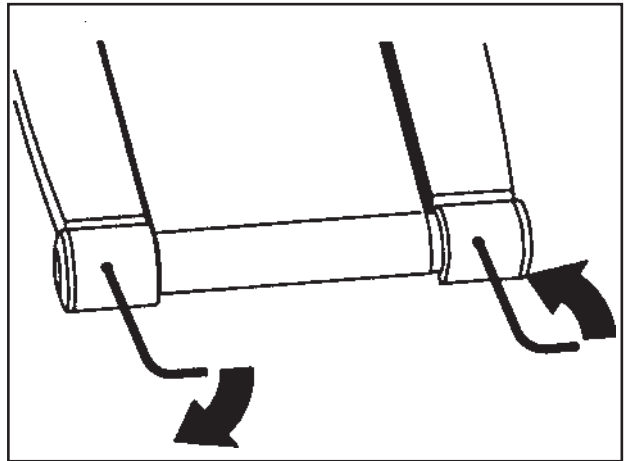
3. AJUSTES

Observe el movimiento de la cinta durante el ejercicio y lleve a cabo los siguientes ajuste siempre de inmediato al darse cuenta de la necesidad de hacerlo.

3.1. AJUSTE DE LA CINTA RODANTE

La cinta rodante de las J 660 debe permanecer centrada en todo momento. Normalmente, cuando la máquina está en posición horizontal y la cinta bien tensa, permanece centrada. Sin embargo se puede desplazar a un lado según sea el estilo de correr del usuario (p. ej., que cargue más peso sobre una pierna). La alineación de la cinta se hace girando los dos pernos que hay detrás de la máquina. Para ello, haga lo siguiente:

1. Encienda la máquina y aumente la velocidad de la cinta hasta 5 km/h.
2. Si la cinta se desplaza hacia la izquierda, gire el perno de ajuste de la izquierda 1/8 de vuelta en el sentido de las agujas del reloj y el perno de la derecha 1/8 de vuelta en sentido contrario.
3. Si la cinta se desplaza hacia la derecha, gire el perno de ajuste de la derecha 1/8 de vuelta en el sentido de las agujas del reloj y el perno de la izquierda 1/8 de vuelta en sentido contrario. No apriete más de 1/8 de vuelta cada vez, pues basta con un giro muy pequeño.
4. Si ve que la cinta gira centrada, ya está hecho el ajuste. Si no, siga con el anterior procedimiento hasta que quede centrada.



Si deja la cinta desplazada hacia un lado mucho tiempo, los bordes se rozarán y no girará correctamente. La garantía no cubre los daños causados en la cinta por falta de los ajustes necesarios.

3.2. AJUSTE DE LA TENSION DE LA CINTA

Si la cinta patina sobre los rodillos, hay que tensarla.

NOTA: Sin embargo, durante el uso normal tiene que estar lo menos tensa posible.

La tensión de la cinta se ajusta girando los mismos pernos utilizados para alinearla.

1. Encienda la máquina y aumente la velocidad de la cinta hasta 5 km/h.
 2. Gire los dos tornillos de ajuste en el sentido de las agujas del reloj aproximadamente 1/8 de vuelta cada uno.
 3. Trate de frenar la cinta poniéndose encima, sujetándose al manillar con las dos manos y parándola con los pies (como si estuviera bajando una cuesta).
- NOTA: Si intenta frenar muy fuerte, la cinta resbalará.**
4. Si la cinta resbala, gire otra vez los pernos 1/8 de vuelta y repita el procedimiento.

4. MANTENIMIENTO

Le recomendamos encarecidamente que siga un plan de mantenimiento periódico de su máquina de caminar. No obstante, si prefiere que el mantenimiento lo haga un técnico especializado, póngase en contacto con el distribuidor de TUNTURI que muy gustoso le dará información sobre el servicio disponible y las tarifas.

Compruebe de vez en cuando si todos los tornillos y tuercas están bien apretados y los cables bien colocados. No apriete demasiado los tornillos para no pasarlos de rosca.

4.1. LIMPIEZA E INSPECCION DE LA CINTA

Apague la máquina y desenchúfela de la corriente y del conector que hay en la parte delantera inferior derecha. Ponga la máquina de lado con mucho cuidado. Limpie el interior de la cinta con un cepillo semiáspero. No use disolventes. Gire con cuidado la cinta a mano hasta limpiar toda su parte interior. Si fuera necesario, afloje los pernos de ajuste situados detrás de la máquina. Vuelva a poner la máquina derecha.

Si observa que los bordes de la cinta están rozados, compruebe la alineación. Si las costuras se empiezan a romper, póngase en contacto con el distribuidor de TUNTURI.

4.2. LIMPIEZA DE LA MAQUINA

Quite el polvo de las superficies de la máquina, sobre todo de los manillares y del contador, con un paño o toalla húmedos. No use disolventes.

Limpie con una aspiradora de boquilla fina todos los componentes de la máquina (cinta, base de la cinta, raíles laterales, etc.). Si apoya la máquina en uno de los raíles laterales podrá limpiarla también por debajo. Pase la aspiradora por dentro de la carcasa del motor.

Limpie los rodillos una vez al año como se indica: afloje los pernos de ajuste y pase por los rodillos un cepillo semiáspero. Apriete los pernos de ajuste de la tensión de la cinta. Compruebe si la cinta está bien alineada y centrada en su base (ver 3.1. AJUSTE DE LA CINTA RODANTE y 3.2. AJUSTE DE LA TENSION DE LA CINTA).

4.3. LUBRICACION DE LA BASE DE LA CINTA

La lubricación de mantenimiento es la medida de mantenimiento más importante de la cinta corrediza. La lubricación de mantenimiento es absolutamente necesaria siempre que se de cuenta de que la resistencia de la cinta corrediza haya crecido o que el motor se caliente. Sin embargo, en ningún caso el intervalo de lubricación debe pasar los 200 kilómetros de uso; recomendamos relubricación una vez al mes. Durante los primeros 200 km de uso, la máquina debe ser lubricada a intervalos de 50 km. Una lubricación insuficiente conducirá a que se desgasten y rompan la cinta, la placa de base y el motor.

¡ATENCIÓN! ¡Antes de proceder a usar la cinta corrediza, es absolutamente necesario que se lubrique con cuidado según las instrucciones de lubricación que siguen! ¡ATENCIÓN! ¡Si las máquinas de caminar no son usadas durante al menos tres semanas, deben ser cuidadosamente lubricadas siguiendo las instrucciones expuestas!

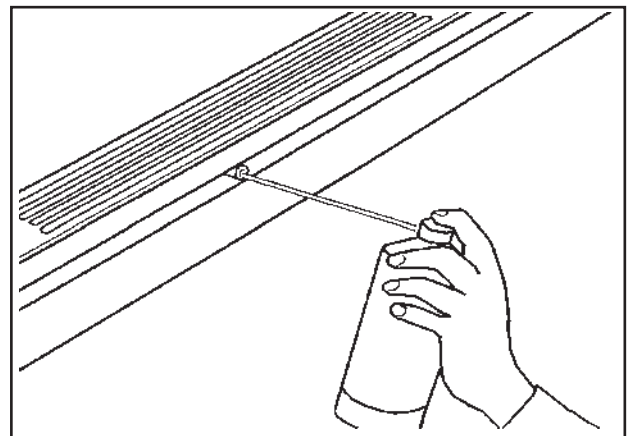
La necesidad adicional de lubricación dependerá en gran parte del peso del usuario y de su estilo de correr: un usuario pesado y una baja velocidad de uso de la cinta fuerzan la máquina especialmente, y por eso habrá que poner atención especial en la lubricación de mantenimiento. Para la lubricación de su cinta corrediza, use solamente el teflón

que viene con el aparato. Para adquirir más teflón, póngase en contacto con el vendedor del aparato.

¡ATENCIÓN! Lubricar el aparato con silicona queda terminantemente prohibido!

Por favor, aplique el teflón utilizando el bote presurizado a estas instrucciones. Siga éstas y las instrucciones de seguridad de la botella de teflón cuidadosamente:

1. Ponga el andador en una velocidad lenta y rocíe el teflón en la pipa de lubricación por debajo del andador. La pipa está marcada con una pegatina.
2. Cuando se aplica teflón por primera vez, el tiempo de rociado con el presurizador podría ser de aproximadamente 20 segundos. Después, el tiempo de rociado de 10 segundos es suficiente.
3. Deje caer el teflón a través de las cavidades de la pipa de lubricación hasta el centro de la cinta corredora; el andador está lista para el uso instantáneamente.



Por favor, asegúrese cada vez que relubrique su máquina de caminar, que una tira de aproximadamente 20 cm de la cara inferior de la cinta corredora ha llegado a humedecerse con el aceite teflón a lo largo de toda su longitud. Si es necesario, pulverice teflón directamente en la parte inferior de la cinta corredora.

4.4. CODIGOS DE ERROR

Si se produce algún fallo en la electrónica de la máquina, ésta lleva un sistema integrado interior de localización de averías que indica el origen del fallo.

Evidentemente el sistema no cubre todos los fallos posibles, pero sí los más probables que se producen por el uso durante mucho tiempo. Si se produce alguno de estos fallos, en la pantalla aparece uno de los siguientes códigos de error:

CODIGO DE ERROR	SIGNIFICADO
E1	Fallo del sensor de velocidad (el sensor no reacciona a ningún movimiento de la cinta).
E4	Fallo en el sensor de inclinación.

E7 Fallo de software.

E8 La velocidad de la cinta supera la programada.

En caso de que aparezca algún código de error en la pantalla del medidor o se den otros trastornos en el uso de la máquina, proceda de la siguiente manera:

1. Apagar el interruptor durante un minuto y volverlo a encender.
2. Asegurarse que la llave de cordón esté insertada debidamente.
3. Asegurarse que el cordón del interruptor esté debidamente enchufado.
4. Asegurarse que la máquina esté debidamente lubricado (ver 4.3. LUBRICACIÓN DE LA BASE DE LA CINTA).
5. Si el código de error no desaparece después de las instrucciones de mantenimiento arriba mencionadas, por favor póngase en contacto con el vendedor del aparato indicándole el código de error y siempre el número de serie del aparato (se encuentra en la pegatina en la parte delantera derecha de la cinta corrediza).

tEtH La llave de seguridad no está bien metida.

A pesar de nuestro continuo control de calidad se pueden producir fallos de componentes concretos. En la mayoría de los casos no es necesario llevar la máquina a reparar, pues basta cambiar la pieza defectuosa.

4.5 MENU DE MANTENIMIENTO DEL USUARIO

En la memoria de la máquina se salvan automáticamente el tiempo de ejercicio y la distancia total recorrida. Si quiere comprobar los valores registrados, por ejemplo durante el montaje, haga lo siguiente:

1. Cuando la pantalla del contador esté en modo "enter weight" pulse al mismo tiempo las teclas STOP y SCAN/SELECT. En la pantalla aparece el modo de programación del usuario.
2. Pulse otra vez las teclas STOP y SCAN/SELECT y a continuación ENTER.
3. El contador barre las siguientes funciones: versión del programa, tiempo total y distancia total.
4. Para salir del menú de mantenimiento pulse dos veces la tecla ENTER.

5. TRASLADO Y ALMACENAJE

La J 660 está equipada con ruedas para facilitar su traslado. Antes de moverla compruebe si está desenchufada del conector de la máquina y de la corriente. Levante el extremo

posterior de la máquina y empújela o tire de ella apoyada sobre las ruedas delanteras.

Después de mover la máquina puede que tenga que alinear y centrar la correa (ver 3.1. AJUSTE DE LA CINTA RODANTE y 3.2. AJUSTE DE LA TENSION DE LA CINTA).

Para mantener la máquina en perfecto estado de funcionamiento guárdela en un lugar seco donde la temperatura no varíe mucho. Protéjala del polvo. Mantenga la máquina siempre desenchufada de la corriente cuando no la use.

¡ATENCIÓN! ¡Si las máquinas de caminar no son usadas durante al menos tres semanas, deben ser cuidadosamente lubricadas siguiendo las instrucciones!

6. DATOS TECNICOS

Longitud	150 cm
Altura	125 cm
Anchura	90 cm
Peso	71 kg
Longitud de la cinta rodante	135 cm
Anchura de la cinta rodante	44 cm
Velocidad	1,5-16 km/h/1-10 mph
Grados de inclinación	0-10 %
Contador	Distancia Inclinación Pulso (opcional) Tiempo Ritmo Velocidad Consumo de energía
	Pantalla LED
	5 ejercicios preprogramados 1 programa de usuario
Motor	1,5 HP
Sistema de accionamiento	Por correa
Armazón	De acero soldado pulvimetalizado
Peso máximo del usuario	110 kg

Todos los modelos TUNTURI están diseñados de modo que cumplen la directiva de la UE sobre compatibilidad electromagnética y llevan impresas las marcas de conformidad de la UE.

Todas las máquinas de caminar TUNTURI están constuidas con normas de precision y seguridad DIN 32933-1+3.

Debido a nuestro continuo programa de desarrollo del producto, nos reservamos el derecho a cambiar sus especificaciones sin previo aviso.

OPMERKINGEN EN ADVIEZEN

WIJ ADVISEREN U DEZE HANDLEIDING EERST EEN KEER GOED DOOR TE LEZEN VOORDAT U AAN DE MONTAGE BEGINT!

DE TUNTURI J 660 IS ONTWERPEN VOOR THUISGEBRUIK EN VALT ALS ZODANIG VOLLEDIG ONDER DE VOLLEDIGE TUNTURI GARANTIEVOORWAARDEN. DE GARANTIE DEKT ECHTER GEEN SCHADE ALS GEVOLG VAN NALATIGHEID BIJ ONDERHOUD OF INCORRECTE AFSTELLING VAN DE APPARATEN. BIJ ONDESKUNDIG GEBRUIK, SLECHT ONDERHOUD OF BIJ PROFESSIONEEL GEBRUIK IN SPORTSCHOOL, FITNESSCENTRUM, VERENIGING EN DERGELIJKE, KUNNEN NOG TUNTURIPYÖRÄ OY – FINLAND NOG HAAR VERTEGENWOORDIGERS, AANSPRAKELIJK WORDEN GESTELD VOOR ENIG LETSEL OF SCHADE.

DE TRAINER

- * Aan de voorkant van de looptrainer, naast de hoofdschakelaar, bevindt zich het typeplaatje met belangrijke elektronische gegevens. Voordat u de looptrainer aansluit dient u eerst aan de hand hiervan te controleren of de netspanning geschikt is. De trainer werkt op netspanningen van 230 V. Het stroomverbruik bedraagt maximaal 10 A. De trainer mag alleen worden aangesloten op een geaard stopcontact. Het gebruik van een verlengsnoer is niet toegestaan.
- * Spanningsfluctuaties van meer dan 5% kunnen storingen in de werking van de trainer veroorzaken of de elektronische componenten beschadigen. Indien de netspanning onvoldoende gereguleerd is of de trainer anderszins niet overeenkomstig deze gebruiksaanwijzing wordt aangesloten, vervalt de garantie.
- * **Bij het afstellen en het onderhouden van de trainer dient u deze gebruiksaanwijzing op te volgen.**
- * Beperk u tot het onderhoud en instellingen zoals in deze handleiding worden beschreven. Stop direct als zich andere problemen voordoen en vraag advies bij uw Tunturi specialist.
- * Wijzigingen aan stekker of stopcontact mogen alleen worden uitgevoerd door een erkende elektromonteur.

UW GEZONDHEID

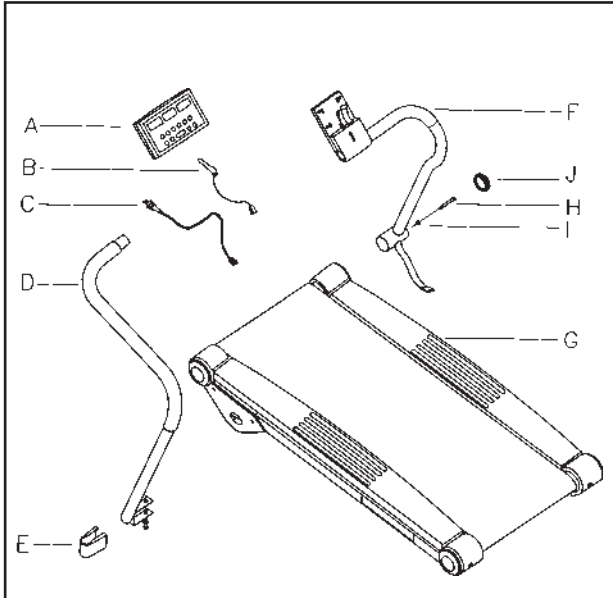
- * **Laat uw conditie controleren bij uw huisarts voordat u begint met trainen.**
- * Bij misselijkheid, duizeligheid of een ander lichamelijk ongemak tijdens gebruik dient de gebruiker direct te stoppen en een arts te raadplegen.
- * Controleer uw hartslag tijdens de training en bij afwijkende hartslagwaarden stopt u de training onmiddellijk.
- * Het is aan te bevelen rek-, warming up- en cool down- oefeningen te doen om pijnlijke spieren te voorkomen.

DE TRAINER IN HET GEBRUIK

- * Controleer voordat u met de training begint of de looptrainer in orde is. Gebruik de looptrainer nooit indien deze defect is.
- * Gebruik de trainer alleen indien de behuizing en de beschermkappen correct zijn aangebracht.
- * De J660 kan door slechts één persoon tegelijk gebruikt worden, het toestel is geschikt voor gebruik door personen tot 110 kg lichaamsgewicht.
- * Draag tijdens de training de juiste kleding en schoenen. Zorg ervoor dat uw schoenveters goed gestrikt zijn. Gebruik alleen schoenen die binnen gedragen worden, daar steentjes, zand en ander vuil afkomstig van buitenschoenen extra slijtage en storingen kunnen veroorzaken.
- * Houd kinderen en huisdieren buiten het bereik van het toestel tijdens de training.
- * Plaats de trainer op een zo vlak mogelijke ondergrond, met aan de voorkant en aan de zijkanten minstens 60 cm vrije ruimte en aan de achterkant minstens 120 cm.
- * Houdt u bij het op- en afstappen, bij her veranderen van de bandsnelheid, de handrail vast. Spring niet van een lopende band af!
- * Het is aan te bevelen om het frame van de looptrainer schoon te maken met een licht vochtige doek. Een optimaal resultaat krijgt u door het gebruik van een doek met Teflon-Spray, Car Cleaner of Car Wax. Dit geeft niet alleen een beter resultaat, maar beschermt de trainer ook veel beter tegen de inwerking van transpiratievocht. De loopmat echter alleen schoonmaken met een vochtige doek!
- * Bij montage- en onderhoudswerkzaamheden dient u eerst de hoofdschakelaar uit te schakelen en de stekker uit het stopcontact te trekken.
- * Trek na het gebruik altijd de stekker uit het stopcontact.
- * Probeer niet de trainer te verplaatsen door aan het elektriciteitsnoer te trekken.
- * Zorg dat u, voordat u de looptrainer in gebruik neemt, vertrouwd bent met het bedieningspaneel en de diverse instelmogelijkheden.
- * De trainer mag niet door meerdere personen tegelijkertijd gebruikt worden.
- * Gebruik de looptrainer alleen binnenshuis.
- * Blijf altijd met uw handen uit de buurt van de band wanneer deze in beweging is. Zorg ervoor dat er zich geen obstakels onder het onderstel van de trainer bevinden en steek geen handen, voeten of voorwerpen tussen bewegende delen.
- * **De looptrainer is uitgerust met een noodstop. De band stopt onmiddellijk indien de veiligheidssleutel van de noodstop uit de sleuf onder het bedieningspaneel getrokken wordt. Vergeet niet het snoer van de veiligheidssleutel vast te maken, bijvoorbeeld aan uw shirt of broekband.**
- * Tunturi streeft ernaar, door constante research en controle, apparatuur te produceren met de hoogste graad van perfectie. Om die reden houdt zij het recht voor onaangekondigd detail wijzigingen door te voeren.
- * Ondanks alle voorzorgen kunnen storingen voorkomen. Meestal kan het defecte onderdeel worden vervangen, zonder het toestel terug te sturen.
- * **Belangrijk is dan de vermelding van het productie/serienummer van de trainer. Dit nummer vindt u op een stickertje aan de onderkant van het frame.**
- * Tunturi is een geregistreerd handelsmerk van Tunturipyörä Oy — Finland.

1. MONTAGE

Controleer eerst of de verpakking alle hieronder genoemde onderdelen bevat.



- A Bedieningspaneel
 - B Veiligheidssleutel van de noodstop, met snoer en knijper (+ 1 reservesleutel)
 - C Elektriciteitsnoer
 - D Linker handgreep
 - E Beschermpak van de handgreep
 - F Rechter handgreep met houder voor bedieningspaneel
 - G Frame
- Set gereedschappen:
- H 2 stuks M8 x 80 mm inbusbouten
 - I 2 stuks borgringen
 - J 1 witte plastic stop
inbussleutel 6mm
steeksleutel 10/11
bus Teflon Spray CFS300

Indien een onderdeel ontbreekt, neem dan contact op met de dealer. Vermeld daarbij het model van de looptrainer (J660), het serienummer (zie sticker op de onderzijde van het frame) en het nummer van het ontbrekende onderdeel (zie lijst van reserveonderdelen aan het eind van deze gebruiksaanwijzing).

Nadat u de verpakking heeft verwijderd en de inhoud van de levering heeft gecontroleerd kunt u de trainer monteren. De aanduidingen "rechts", "links", "voor" en "achter" betekenen steeds "rechts", "links" enz. gezien vanuit de gebruiker, staand op de band.

1.1. MONTAGE VAN DE HANDRAILS

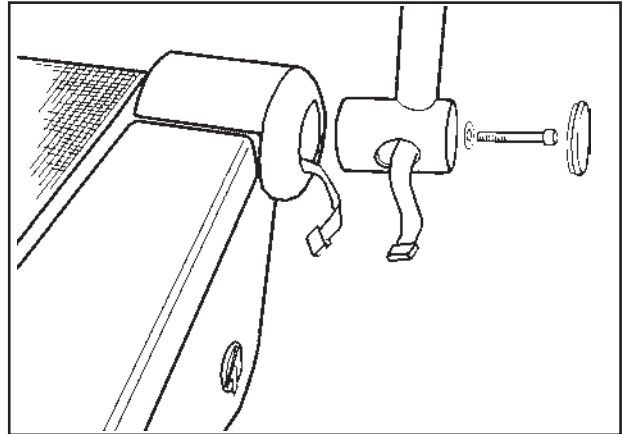
Bij het monteren van de linker en rechter handrail is het belangrijk dat u de bouten pas strak aandraait nadat allebei de handrail delen in hun geheel op hun plaats zijn en aan elkaar gevoegd zijn.

Aan het onderste buiseinde van de rechter handrail is een zakje met silicaat vastgeplakt dat dient voor het absorberen

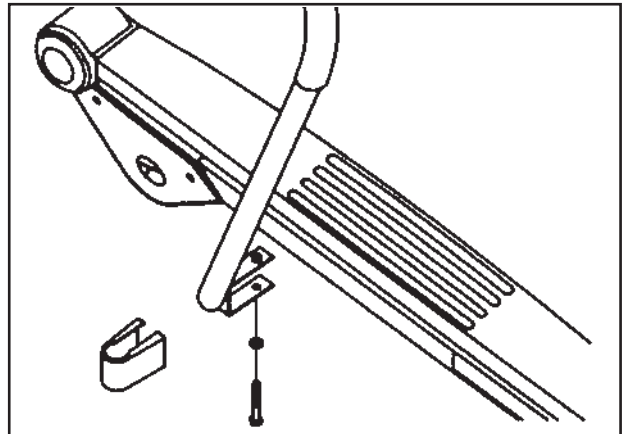
van vocht tijdens transport en opslag. U kunt dit zakje weggoien.

Trek de platte kabel onder de beschermkap aan de rechterzijde vandaan. Breng de buis van de rechter hand-rail aan op zijn plaats, aan de rechterkant van de voorste aandrijfrol. Bevestig dit buiseinde zorgvuldig, met een inbusbout en een borgring, maar draai de bout nog niet strak aan.

LET OP! De platte kabel dient tussen de beschermkap aan de zijkant van het onderstel en de buis van de handgreep te lopen. Zorg ervoor dat de kabel niet beschadigt of afgeklemd wordt. Nadat de buis is bevestigd kunt u de plastic stop op het buiseinde aanbrengen.



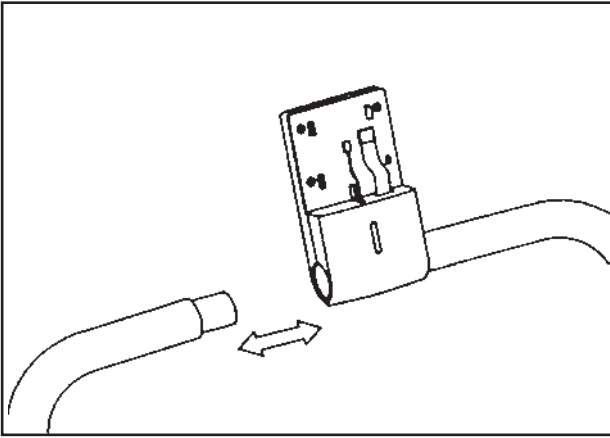
Bevestig het onderste buiseinde van de linker handrail met een inbusbout en een borgring aan de zijkant van het frame, maar draai de bout nog niet helemaal vast (fig.3) Leg De trainer eventueel op zijn kant. Breng de beschermkap van de handrail aan door deze op het onderste buiseinde vast te drukken.



Duw het boveinde van de linker handgreep in de houder van het bedieningspaneel. Deze bevindt zich op de rechter handgreep.

LET OP! Voordat u de linker handrail plaatst, dient u eerst het snoer dat uitsteekt uit de linker handrail voorzichtig aan te sluiten aan het snoer dat uit de houder van het bedieningspaneel komt.

Wanneer de uiteinden van de handrails delen goed op elkaar aansluiten kunt u de inbusbouten aan de onderzijde van de houder van het bedieningspaneel aandraaien (fig.4). Let er daarbij op, dat de buiseinden goed op hun plaats blijven.



LET OP! Bij het plaatsen van de buiseinden van de railsdelen bij het aandraaien van de inbusbouten dient u erop te letten dat de platte kabel die in de buizen loopt niet beschadigd raakt.

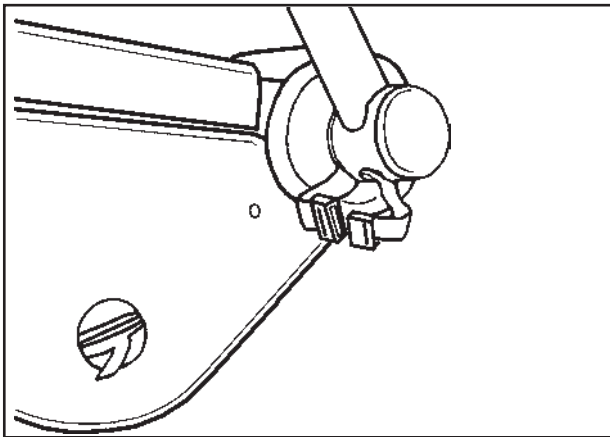
Draai tenslotte de inbusbouten van de onderste buiseinden strak aan.

1.2. MONTAGE VAN HET BEDIENINGSPANEEL

Steek de uiteinden van de platte kabel en de pulse kabel die uit de houder van het bedieningspaneel komen in de connectors aan de achterzijde van het paneel en duw de kabels de houder van het paneel in. Druk het bedieningspaneel voorzichtig vast in de houder.

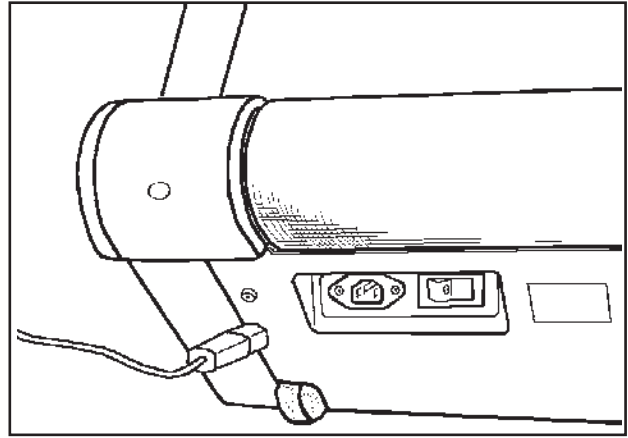
Pas op dat de kabels niet beklemd raken.

Trek voorzichtig de beschermende folie zijwaarts van het bedieningspaneel af.



1.3. HET AANSLUITEN VAN DE KABEL VAN HET BEDIENINGSPANEEL

Onder de beschermkap rechts op het onderstel loopt een platte kabel. Verbindt deze met de platte kabel die uit de rechter handgreep komt. Duw daarna de samengevoegde kabels de buis van de handgreep in, opdat deze tijdens het gebruik niet kunnen beschadigen.



1.4. HET AANSLUITEN VAN DE LOOPTRAINER AAN HET ELEKTRICITEITSNET

Sluit de contrastekker van het elektriciteits snoer aan op de stekker aan de voorzijde van de trainer, naast de hoofdschakelaar.

Controleer voordat u de trainer inschakelt, aan de hand van het typeplaatje naast de hoofdschakelaar of de te gebruiken netspanning geschikt is.

LET OP! Wanneer de looptrainer voor de eerste keer gebruikt wordt, dient u deze eerst zorgvuldig te smeren met het meegeleverde teflonspray (zie 4.3. SMERING).

2. BEDIENING

Schakel de stroom in via de hoofdschakelaar aan de voorkant van de looptrainer.

Nadat de stroom is ingeschakeld controleert het bedieningspaneel altijd eerst of het LED-scherm werkt. Hierna verschijnt op het scherm de identificatie "tunturi J 660" en de tekst "USr 1", oftewel "gebruiker 1". Onder USr 1 kunt u uw persoonlijke trainingsprogramma's opslaan (zie 2.6.2. HET SELECTEREN VAN EEN TRAININGSPROGRAMMA). Hierna zal het bedieningspaneel u vragen uw gewicht op te geven (zie 2.5. GEWICHT INVOEREN).

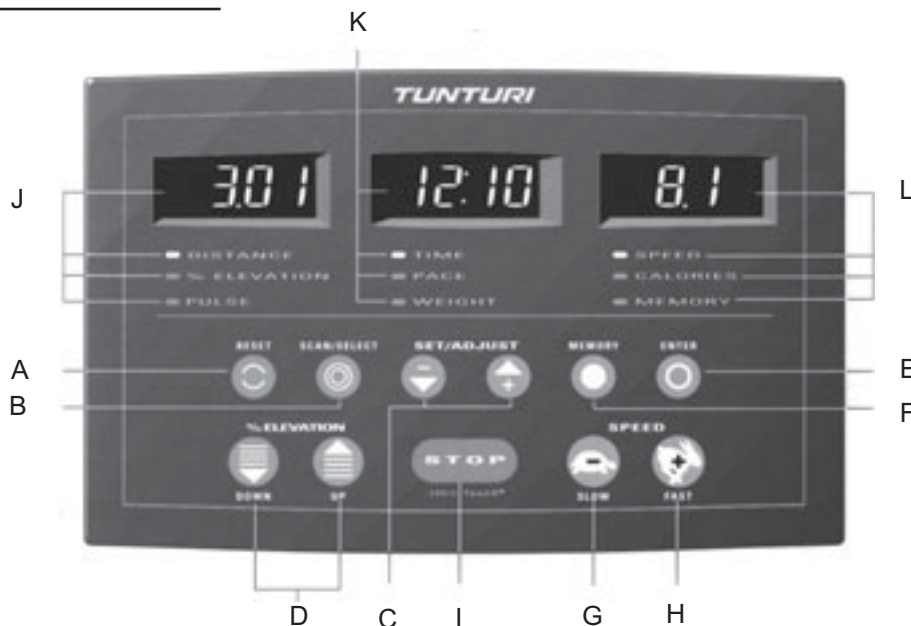
2.1. HET GEBRUIK VAN DE NOODSTOP

De looptrainer is uitgerust met een noodstop, welke in werking treedt wanneer de veiligheidssleutel uit de sleuf onder het bedieningspaneel getrokken wordt.

Aan deze sleutel is een snoer met een knijper bevestigd. Klem het knijper vast aan een kledingstuk, bijvoorbeeld aan de kraag van uw shirt of aan uw broekband, en duw de sleutel in de daarvoor bestemde sleuf onder het bedieningspaneel.

LET OP! De looptrainer en het bedieningspaneel werken alleen indien de veiligheidssleutel correct is aangebracht (indien niet correct aangebracht, verschijnt de tekst "teth" op het scherm).

2.2. BEDIENINGSPANEEL



2.2.1. TOETSEN

- (A) RESET**
Met de RESET-toets kunt u de verstreken tijd, afgelegde afstand en het calorieverbruik op nul stellen wanneer de band loopt. Wanneer de band stilstaat dient de RESET-toets om terug te keren naar het menu "GEWICHT INVOEREN". In dit menu kunt u met de pijltoetsen uw gewicht invoeren en bevestigen met ENTER, of direct de standaardwaarde accepteren met ENTER.
- (B) SCAN/SELECT**
Met de toets SCAN/SELECT kunt u vensters automatisch doorbladeren of een bepaalde regel selecteren.
- (C) + EN - PIJLTOETSEN (SET/ADJUST)**
Met deze pijltoetsen kunt u uw gewicht in kilogrammen of in Engelse ponden opgeven. Deze informatie is nodig voor het berekenen van het calorieverbruik tijdens de training. Deze pijltoetsen worden ook gebruikt in het menu "VOORKEURINSTELLINGEN". Bij het instellen van het programma voor trainen met constante hartslag worden deze pijltoetsen gebruikt om te bepalen op welke wijze de hartslag onder controle gehouden wordt en om de maximale bandsnelheid en de bovengrens van de gewenste hartslag in te stellen.
- (D) PIJLTOETSEN "UP" en "DOWN" (% ELEVATION)**
Met de toets UP kunt u de hellinghoek van de band vergroten, in stappen van 1%. Hierbij zal het achterste deel van de band dalen, waardoor de hellinghoek toeneemt. De toets DOWN dient om de hellinghoek te verkleinen (ook in stappen van 1%). Het achterste deel van de band zal omhoog komen waardoor de hellinghoek afneemt.
- (E) ENTER**
Met ENTER kunt u de door u ingevoerde waarde of de standaardwaarde voor uw gewicht accepteren. ENTER wordt ook gebruikt in het menu "VOORKEURINSTELLINGEN".
- (F) MEMORY**
Met de toets MEMORY kunt u een van de trainingsprogramma die u zelf heeft opgesteld opslaan of starten, of een van de negen reeds geïnstalleerde trainingsprogramma's starten. Wanneer een van uw eigen programma's of een geïnstalleerd programma actief is, brandt naast de tekst MEMORY een signaallampje.
- (G) SCHILDPAD (SPEED/SLOW)**
Door op de toets SPEED/SLOW te drukken kunt u de snelheid van de band laten afnemen, in stappen van 0,1 km/u of 0,1 mph.
- (H) HAAS (SPEED/FAST)**
De toets SPEED/FAST dient om de snelheid van de band te doen toenemen, in stappen van 0,1 km/u of 0,1 mph.

STOP

Wanneer u eenmalig op de STOP-toets drukt stopt de band. Het bedieningspaneel bewaart snelheid, hellinghoek en de resultaten die tijdens de training behaald zijn. In het menu VOORKEURINSTELLINGEN kunt u bepalen hoe lang deze gegevens bewaard moeten worden (1-5 minuten). Na de onderbreking kunt u de training hervatten. Als u opnieuw op de STOP-toets drukt, of wanneer de bewaartijd van de gegevens verstreken is, zal het scherm weliswaar nog steeds de waarden van de onderbroken training tonen maar is het niet meer mogelijk om de training met deze waarden voort te zetten.

2.2.2. FUNCTIES

Het scherm laat altijd zien welke functie actief is, door een signaallampje naast de aanduiding van de betreffende functie.

DISTANCE (Afstand)

Toont de afgelegde afstand in kilometers (00,0 - 99,9) of mijlen.

% ELEVATION (Loophoek)

Toont de gekozen hellinghoek (0-10%).

PULSE (Hartslag meting, optie)

Toont uw hartslag (zie 2.13. HARTSLAGMETING).

TOTAL TIME (Tijd)

Toont de verstreken tijd in minuten en secondes (00,00 - 99,59).

PACE (Tempo)

Toont de tijd die nodig is om met de door u gekozen snelheid een kilometer of mijl af te leggen.

WEIGHT (Gewicht)

Toont het gewicht dat u heeft ingevoerd.

SPEED (Snelheid)

Toont de snelheid van de band in kilometers per uur (1,5 - 16,0 km/u) of mijl per uur (1 - 10 mph).

CALORIES (Calorieverbruik)

Toont het geschatte calorieverbruik in kilocalorieën (0-999 kcal) gedurende de training. Het bedieningspaneel schat uw calorieverbruik op basis van uw gewicht, trainingstijd, snelheid en hellinghoek. Omdat het vermogen om energie te produceren niet voor iedereen gelijk is, vormt de waarde die het bedieningspaneel berekent slechts een ruwe schatting.

MEMORY

Het lampje naast memory brandt indien u een memory- of een van de vijf vooraf ingestelde programma's gebruikt.

2.4. VOORKEURINSTELLINGEN

Deze looptrainer geeft u de mogelijkheid om een aantal eigen voorkeuren in te stellen. Zo kunt u bijvoorbeeld kiezen tussen het metrische (km, km/u, kg) en Engelse stelsel (mijl, mph, pond). Verder kunt u geluidssignalen aan- of uitzetten en aangeven hoe lang het bedieningspaneel tijdens een onderbreking trainingsgegevens dient te bewaren. Bovendien kunt u het geheugen beveiligen tegen ongewild wissen of overschrijven.

1. Vanuit het menu "GEWICHT INVOEREN" op de STOP-toets drukken en houd deze ingedrukt terwijl u op SCAN/SELECT drukt.
2. Op het scherm verschijnt nu de tekst "EngL" (Engels stelsel) of "ISo" (metrisch stelsel). Bepaal uw keuze middels de pijltoetsen.
3. Druk opnieuw op de toets SCAN/SELECT. Op het scherm verschijnt nu de tekst "Aud 1" (geluid aan) of "Aud 0" (geluid uit). Bepaal uw keuze middels de pijltoetsen.
4. Druk nogmaals op SCAN/SELECT. Op het scherm verschijnt nu de tekst "to 1", "to 2", "to 3", "to 4", "to 5" (to = time out, onderbreking). U heeft nu de mogelijkheid om aan te geven hoe lang het bedieningspaneel uw trainingsgegevens tijdens een onderbreking dient te bewaren. Indien u bijvoorbeeld kiest voor "to 4", kunt u een onderbreking van ten hoogste 4 minuten inlassen en daarna de training voortzetten zonder dat de eerder verkregen resultaten verloren gaan.
5. Druk opnieuw op de SCAN/SELECT-toets. Op het scherm verschijnt nu de tekst "PEnb" (geheugenbeveiliging uit) of "PdIS" (geheugenbeveiliging aan). Middels de pijltoetsen kunt u kiezen voor de gewenste optie. Indien de geheugenbeveiliging aan is, kunnen uw eigen trainingsprogramma's niet worden gewist of gewijzigd.
6. Druk ten slotte op ENTER. Het bedieningspaneel keert nu terug naar het menu "GEWICHT INVOEREN".

2.5. GEWICHT INVOEREN

Wanneer u de stroom inschakelt, verschijnt op het scherm het menu "GEWICHT INVOEREN".

1. Naast de tekst WEIGHT knippert een signaallampje en het scherm laat het gewicht zien dat de vorige keer is opgegeven.
2. Voer middels de pijltoetsen uw eigen gewicht in, in kilogrammen, of in Engelse ponden, als u eerder heeft gekozen voor het Engelse stelsel (zie 2.4. VOORKEURINSTELLINGEN).
3. Druk op ENTER nadat de gegevens correct zijn ingevoerd.
4. Nu zal het signaallampje bij de tekst SPEED gaan branden; het scherm toont de snelheid "0,0".

2.6. BEGINNEN MET DE TRAINING

Houd u altijd vast aan de handgrepen bij het betreden en verlaten van de band of wanneer u tijdens het lopen de bandsnelheid wijzigt. Spring nooit van een bewegende band af!

Ga voordat u de band start wijdsbeens staan op de grijze zijvakken, die zich aan weerszijden van de band bevinden en start dan pas de looptrainer. Start de band nooit terwijl u er op staat.

2.7. EIGEN KEUZE EN TRAININGSPROGRAMMA'S

2.7.1. EIGEN KEUZE BEDIENING

Indien u geen gebruik wil maken van reeds geïnstalleerde trainingsprogramma's (zie 2.7.2.), kunt u de band eenvoudigweg starten met de toets HAAS (SPEED/FAST). De band gaat dan lopen met een snelheid van 1,5 km/h (1,0 mph). Stap de band op terwijl u zich vasthoudt aan de handrails. U kunt nu de snelheid opvoeren door herhaaldelijk op de toets HAAS te drukken, totdat de gewenste snelheid bereikt is. U kunt de snelheid verlagen met de toets SCHILDPAD.

LET OP! Stap niet op de band wanneer deze sneller loopt dan 1,5 km/h of 1,0 mph.

Desgewenst kunt u de hellinghoek van de band wijzigen middels de toetsen UP en DOWN. De hellinghoek zal toenemen, respectievelijk afnemen, in stappen van 1%.

2.7.2. HET SELECTEREN VAN EEN TRAININGSPROGRAMMA

Bestaande trainingsprogramma's (geïnstalleerde programma's of eigen programma's) kunnen worden opgeroepen met de toets MEMORY. **LET OP!** Indien u nog geen eigen programma's heeft opgeslagen kunt u alleen geïnstalleerde programma's oproepen. Kies het gewenste programma middels de pijltoetsen (SET/ADJUST) en bevestig met ENTER.

Vervolgens kunt u middels SET/ADJUST de zwaarte van het trainingsprogramma regelen. **Niveau IL 1 = beginner, IL 2 = gemiddeld, 3 = gevorderd, 4 = actieve trimmer, 5 = sporter.** Bevestig uw keuze middels de ENTER-toets.

Start het programma met de toets HAAS (SPEED/FAST). Het bedieningspaneel zal geprogrammeerde wijzigingen van snelheid en hellinghoek 15 seconden van te voren aankondigen middels een geluidssignaal en het bijbehorende lampje gaat knipperen.

2.8. SCAN

Met de SCAN/SELECT-toets kunt u de scherpagina's automatisch doorbladeren. Elke drie seconden wordt van scherm gewisseld. **LET OP!** De meter zal alleen de hartslag meten indien de hartslagzender op de borst bevestigd is (zie 2.14. HARTSLAGMETING). U een pagina vastzetten door opnieuw op de SCAN/SELECT-toets te drukken.

2.9. HET ONDERBREKEN VAN DE TRAINING

Indien u de training even wilt onderbreken drukt u eenmaal op de STOP-toets om de band stil te zetten. De waarden en resultaten van de training blijven voor een bepaalde tijd in het geheugen. De aanwijzingen voor het instellen van deze tijd, vindt u onder 2.4. VOORKEURINSTELLINGEN. Wanneer u de training wil voortzetten, drukt u op de HAAS-toets, waarna de band opnieuw zal gaan lopen, met dezelfde snelheid als voorheen. De waarden en de resultaten van de onderbroken training blijven van kracht. Verstreken tijd, afgelegde afstand en calorieverbruik zullen worden berekend met inachtneming van de bewaarde gegevens.

Indien de onderbreking langer duurt dan de geprogrammeerde bewaartijd zullen de resultaten nog wel in het geheugen blijven zodat u deze kunt bekijken, maar u kunt dezelfde training niet meer voortzetten. U kunt de waarden op nul stellen met RESET of ENTER.

LET OP! Laat de veiligheidspen van de noodstop in de sleuf achter wanneer u de training onderbreekt omdat het anders niet mogelijk is om dezelfde training voort te zetten.

2.10. HET BEËINDIGEN VAN DE TRAINING

U kunt de looptrainer o.a. op de volgende manieren stilzetten.

1. Druk op de STOP-toets.
2. Trek de pen van de noodstop uit de sleuf.
3. Zet de snelheid op 0,0 km/u (of mph) met de toets SCHILDPAD (SPEED SLOW).
4. De band zal automatisch stoppen nadat een geprogrammeerde training voltooid is.

NA IEDERE TRAINING

Om spierpijn en stijfheid te voorkomen is het goed om na elke training even rustig uit te lopen en rek- en strekoefeningen te doen.

Schakel de stroom uit via de hoofdschakelaar aan de voorzijde van De trainer. Laat de veiligheidspen van de noodstop niet in de sleuf achter.

Neem de stekker uit het stopcontact en verwijder het snoer uit De trainer.

Berg het snoer op een veilige plaats op, buiten het bereik van kinderen.

Veeg de looptrainer schoon met een vochtige doek. Gebruik geen oplosmiddelen.

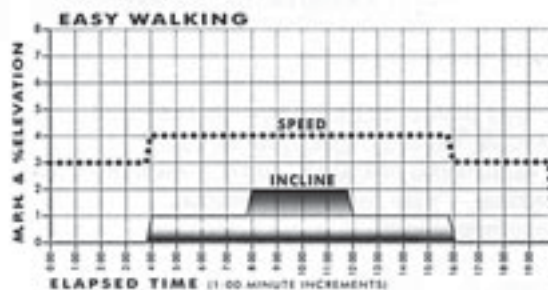
2.11. GEÏNSTALLEERDE TRAININGSPROGRAMMA'S

In het geheugen van de looptrainer J 660 zijn 5 trainingsprogramma's geïnstalleerd. Daarnaast heeft u de mogelijkheid om twee eigen programma's op te slaan (zie 2.13. HET STARTEN EN OPSLAAN VAN EEN PROGRAMMA).

De trainingsprogramma's kunnen op vijf verschillende niveau's worden uitgevoerd, behalve het programma "WANDELEN", dat slechts drie niveau's heeft. Bovendien kunt u de snelheid en de hellinghoek ook nog tijdens de training aanpassen.

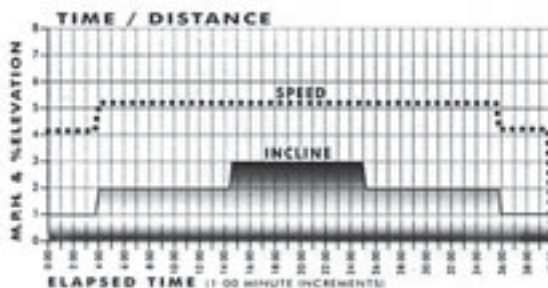
PROGRAMMA 1: WANDELEN

Dit programma is uitermate geschikt om op te warmen en om na de training uit te lopen. De snelheid is relatief laag en de band blijft redelijk vlak. U kunt het programma op drie verschillende niveau's uitvoeren, met lengtes van respectievelijk 15, 20 en 25 minuten.



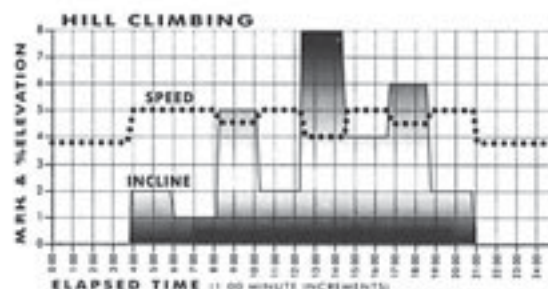
PROGRAMMA 2: TRIMMEN

Deze training dient om de functie van hart en bloedvaten en de algemene conditie van de spieren te verbeteren. Dit programma is ook geschikt voor het op peil houden van de huidige conditie. De lengte varieert van 20 - 40 minuten, afhankelijk van het niveau.



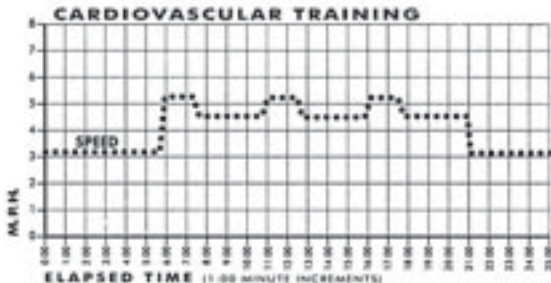
PROGRAMMA 3: HEUVELACHTIG TERREIN

Dit programma simuleert een tocht in heuvelachtig terrein, met redelijk constante snelheid maar sterk wisselende hellinghoeken. Het programma is bedoeld om het hart te versterken en de opname en het transport van zuurstof te verbeteren. De lengte varieert van 15-35 minuten, afhankelijk van het niveau.



PROGRAMMA 4: INTERVALTRAINING

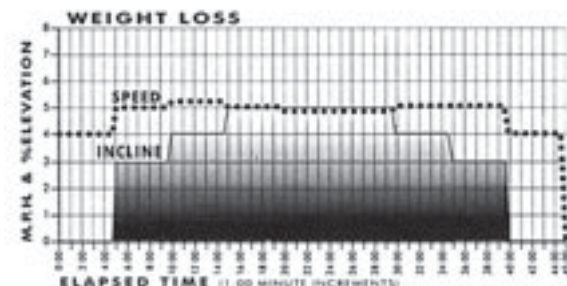
Dit programma behelst een intervaltraining, waarbij door de wisselende intensiteit de hartslag telkens wordt opgevoerd tot ongeveer 85% van het maximum, waarna het hart weer de tijd krijgt zich te herstellen. Dit programma verbetert de algehele conditie en vergroot het uithoudingsvermogen. De lengte varieert van 15 - 35 minuten, afhankelijk van het niveau.



PROGRAMMA 5: AFSLANKEN

Dit programma is bedoeld voor mensen die willen afvallen of op hun huidige gewicht willen blijven. Indien u geen geoefend trimmer bent dient u rustig aan te beginnen. Train de eerste weken alleen op het laagste niveau en voer de zwaarte van de training pas op nadat u enige weken regelmatig heeft getraind. Uw lichaam heeft enkele weken nodig om aan het nieuwe ritme te wennen en de stofwisseling te versnellen. De lengte van het programma varieert van 25 - 45 minuten, afhankelijk van het niveau.

Indien u wilt afvallen dient u ervoor te zorgen dat u meer calorieën verbruikt dan dat u inneemt. U dient dus ofwel minder te eten ofwel meer te bewegen. Het duurt vaak enige tijd voordat u werkelijk af begint te vallen, omdat het verbranden van vet tot gevolg heeft dat uw lichaam aanvankelijk meer vocht zal vasthouden. Wat later, wanneer de stofwisseling versneld is en het lichaam aan het nieuwe ritme gewend geraakt is, zal dit overtollige vocht vanzelf verdwijnen via de natuurlijke weg. Verder is het goed te weten dat spierweefsel zwaarder is dan vetweefsel, maar wel minder volume heeft. Indien u een gram vet kwijtraakt betekent dit dus niet altijd dat u ook een gram lichter wordt, daar u als gevolg van de training spierweefsel aanmaakt. Slanker wordt u wel natuurlijk!



2.12. HET STARTEN EN OPSLAAN VAN EEN PROGRAMMA

Het is mogelijk om een afgesloten training op te slaan in de vorm van een programma. In het geheugen van J 660 is plaats voor een eigen trainingsprogramma's.

1. Nadat u uw gewicht heeft ingevoerd en dit met ENTER heeft bevestigd drukt u op MEMORY.
2. Kies nu met SET/ADJUST het gewenste programma (Pro 1, Pro 2, Pro 3 enz.). Indien u al eerder een programma heeft opgeslagen zal eerst de tekst Usr 1 verschijnen, afhankelijk van de keuze die u gemaakt heeft bij het starten van de looptrainer. Bevestig het gekozen programma met ENTER.
3. Bepaal het niveau van zwaarte van de training (IL 1, IL 2, IL 3 enz.) middels SET/ADJUST. Bevestig uw keuze met ENTER.
4. U kunt nu met de training beginnen. Indien u dit wenst kunt u tijdens de training snelheid en/of hellinghoekhoek van de band wijzigen.
5. Druk op STOP wanneer het programma is afgelopen. Indien u de training wilt beëindigen voordat het programma is afgelopen dient u twee maal op STOP te drukken.
6. Op het scherm verschijnt nu de tekst "Save no". Indien u de zojuist afgesloten training echter wil opslaan of de tijdens de training in het programma aangebrachte wijzigingen wil bewaren druk dan op SET of ADJUST. Op het scherm verschijnt dan de tekst "Save yes". Bevestig met ENTER.
7. Het trainingsprogramma is nu in het geheugen opgeslagen.

2.13. HARTSLAGMETING

In het bedieningspaneel van de looptrainer J 660 is reeds een ontvanger voor draadloze hartslagmeting geïnstalleerd. Hierdoor is het mogelijk om de looptrainer te gebruiken in combinatie een POLAR borstband met een ingebouwde zender voor hartslagmeting. De looptrainer J 660 is al standaard uitgevoerd met een dergelijke ontvanger.

Draadloze hartslagmeting geschiedt door een zender die middels een band om de borst bevestigd wordt. De elektroden in deze zender transporteren de impulsen van de hartslag middels een elektromagnetisch veld naar het bedieningspaneel. Deze wijze van hartslagmeting is te beschouwen als de meest betrouwbare.

De dealer van de looptrainer kan u nadere informatie geven over draadloze hartslagmeting.

2.13.1. HET GEBRUIK VAN DE DRAADLOZE POLAR BORSTBAND MET HARTSLAGZENDER

LET OP! INDIEN U EEN PACE-MAKER DRAAGT, MAG U DE BORSTBAND ALLEEN GEBRUIKEN MET TOESTEMMING VAN UW ARTS!

Alvorens u de borstband aanbrengt, dient u de gegroefde elektroden die tegen de huid aan komen te liggen eerst wat te bevochtigen met water of speeksel.

Tussen de elektroden en uw huid mag zich een dunne laag

textiel bevinden, mits dit op de contactpunten goed vochtig is.

Bevestig de borstband met behulp van het elastische bandje onder de borstspier. De band moet zo strak zitten dat de elektroden op hun plaats blijven tijdens de training. Zorg er wel voor dat de band de ademhaling niet kan bemoeilijken.

LET OP! Indien de elektroden niet bevochtigd zijn komt het signaal niet door.

Als u een droge huid heeft kan het zijn dat u de elektroden na enige tijd opnieuw moet bevochtigen.

Nadat u de elektroden heeft aangebracht dient u deze enige tijd op temperatuur te laten komen.

De hartslagzender zendt de gemeten hartslag automatisch naar de ontvanger, over een afstand van ten hoogste 1 meter.

LET OP! Indien in de nabijheid ook andere draadloze hartslagmeters gebruikt worden dient hun onderlinge afstand minstens 1,5 meter te bedragen.

Indien er één ontvanger, maar meerdere zenders aanwezig zijn, mag zich tijdens de meting slechts één persoon met zender binnen het bereik van de ontvanger bevinden.

De zender houdt op te werken wanneer u deze van uw huid afhaalt. Om storingen te voorkomen is het aan te bevelen om de zender na gebruik zorgvuldig af te drogen.

Als u niet weet wat uw maximale hartslag is, is het goed om deze door een arts te laten vaststellen. Als globale richtlijn kunt u echter de volgende formule gebruiken.

VOOR VROUWEN: LEEFTIJDSEBONDEN MAXIMALE HARTSLAG = 226 minus DE LEEFTIJD.

VOOR MANNEN : LEEFTIJDSEBONDEN MAXIMALE HARTSLAG = 220 minus DE LEEFTIJD.

3. HET AFSTELLEN VAN DE BAND

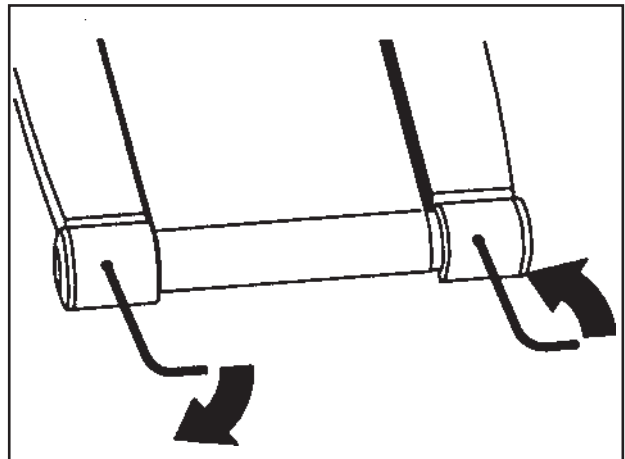
Houd tijdens het gebruik in de gaten of de band goed blijft lopen. Indien de band afstelling behoeft, wacht hier dan niet mee tot na de training maar voer dit direct uit.

3.1. HET CENTREREN VAN DE BAND

De band dient altijd in het midden van de trainer te lopen. Indien de looptrainer op een egale ondergrond staat en de band op de juiste spanning is zal het over het algemeen niet nodig zijn om de band te centreren. Het kan echter zijn dat als gevolg van een bijzondere loopstijl (waarbij bijvoorbeeld het gewicht ongelijk verdeeld wordt) de band enigszins uit het midden raakt. Indien dit gebeurt dient u als volgt te handelen.

1. Schakel de trainer in via de hoofdschakelaar en laat de band lopen met een snelheid van ongeveer 5 km/u (3 mph).

2. Indien de band naar links trekt, draai dan de linker inbusbout achter op De trainer 1/8 slag met de klok mee en de rechter inbusbout 1/8 slag tegen de klok in.



3. Indien de band naar rechts trekt, draai dan de rechter inbusbout achter op De trainer 1/8 slag met de klok mee en de linker inbusbout 1/8 slag tegen de klok in.

LET OP! Het afstellen dient met de nodige voorzichtigheid te gebeuren daar een achtste slag al aanzienlijke gevolgen heeft voor de loop van de band. Draai de inbusbouten dus met maximaal 1/8 slag met de klok mee of tegen de klok in. Controleer elke keer het gevolg hiervan.

4. De band is correct afgesteld wanneer deze in het midden blijft lopen. Wanneer de band nog steeds naar links of naar rechts trekt dient u het afstellen te herhalen, stapje voor stapje, totdat de band recht loopt.

Het is belangrijk dat u de band op tijd centreert. Indien de band gedurende langere tijd aanloopt kan deze storingen gaan vertonen. De garantie op De trainer dekt geen storingen of beschadigingen die ontstaan zijn door verwaarlozing van het centreren.

3.2. HET SPANNEN VAN DE BAND

Indien de band gaat slippen dient u deze wat strakker te stellen.

LET OP! Het is niet goed om de band te strak te zetten; houd de spanning zo gering mogelijk.

Het bijstellen van de spanning geschiedt met dezelfde inbusbouten die ook dienen voor het centreren.

1. Schakel de stroom in via de hoofdschakelaar en laat de band lopen met een snelheid van ongeveer 5 km/u (3 mph).
2. Draai de beide inbusbouten achter op De trainer 1/8 slag met de klok mee.
3. Controleer of de spanning correct is door op de band te gaan lopen en deze af te remmen (alsof u bergaf loopt). **LET OP!** Bij krachtig afremmen mag de band slippen.

4. Indien de band, bij licht afremmen nog steeds slipt, draai dan de inbusbouten nogmaals 1/8 aan en herhaal de controle. Of controleer spanning van de aandrijfriem van de motor.

4. ONDERHOUD

Controleer af en toe of alle bouten en moeren nog vast zitten. Draai ze echter niet te strak aan. Het is aan te bevelen om regelmatig het volgende onderhoud te verrichten.

4.1. REINIGING EN INSPECTIE VAN DE BAND

Schakel de stroom uit, neem de stekker uit het stopcontact en verwijder het snoer uit de trainer. Leg de trainer op zijn kant. Nooit de binnenkant van de band met een vochtige doek reinigen. Gebruik geen oplosmiddelen. Beweeg de band met de hand rond, zodat u de gehele band kunt reinigen. Indien nodig kunt u de inbusbouten voor het spannen van de band wat losser draaien.

Kijk of de randen van de band versleten zijn. Indien dit het geval is kan het zijn dat de band aanloopt, controleer dus of de band goed centraal loopt (zie 3.1. HET CENTREREN VAN DE BAND). Neem contact op met de dealer indien de randen van de band gerafeld zijn.

4.2. HET REINIGEN VAN DE LOOPTRAINER

Verwijder stof en vuil van het bedieningspaneel en de handgrepen met een licht vochtige doek. Gebruik geen oplosmiddelen.

Reinig de zichtbare delen van het frame (o.a. onderstel en zijkant) en de band regelmatig met een stofzuiger. Om de onderkant goed te kunnen zuigen dient u de trainer op zijn kant te leggen.

Reinig de beide aandrijfrollen van de band eens per jaar grondig, op de volgende wijze. Draai de beide inbusbouten van de rol los, tel de slagen en schrijf dit op. Reinig de rol met een halfharde borstel. Draai de inbusbouten opnieuw aan en controleer of de band recht en in het midden loopt en op de juiste spanning is (zie 3.1. HET CENTREREN VAN DE BAND en 3.2. HET SPANNEN VAN DE BAND).

4.3. SMERING

Het belangrijkste onderhoud van de looptrainer bestaat uit de smering. Smering is in ieder geval nodig wanneer u merkt dat de wrijving van de band toeneemt of de motor warmer wordt dan normaal. De interval voor reguliere smering is 200 km. Traint u minder dan 200 km per maand, dan adviseren wij u de mat van uw looptrainer, eens per maand te smieren. Onvoldoende smering leidt tot slijtage en ernstige schade aan band, onderplaat, motor en elektronica.

LET OP! Voordat u de looptrainer in gebruik neemt dient u deze eerst zorgvuldig te smeren.

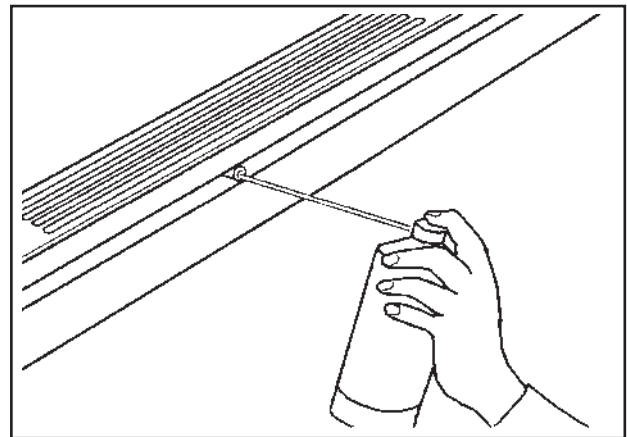
LET OP! Indien u de looptrainer drie weken niet gebruikt heeft, is het belangrijk dat u de mat van de looptrainer, volgens de in deze handleiding beschreven instructie, smeert!

LET OP! Smeer de looptrainer nooit met een ander smeermiddel dan de Teflon CFS089!

Volg de veiligheidsvoorschriften die op de verpakking van het teflon staan en de onderstaande aanwijzingen nauwkeurig op.

De teflon bus elke keer goed schudden voor gebruik!

1. Laat de band langzaam (5 km) draaien en spuit het teflon in het smeerpunt aan de rechter zijkant van het hoofdframe van de trainer. Dit smeerpunt is aangegeven met een oranje sticker.
2. Bij de eerste smering, voordat u de trainer gaat gebruiken, dient u het teflon gedurende 20 seconden te spuiten. Bij de volgende smering is 10 seconden spuiten voldoende.
3. Het teflon loopt via het smeerpunt aan de onderzijde op de band en smeert ook op de loopplaat. U heeft voldoende teflon aangebracht wanneer het teflon een spoor heeft getrokken over de gehele lengte van de band. Hierna is de trainer gebruiksklaar.
4. Uw eerste 200 km, is het belangrijk dat u uw trainer elke 50 km volgens bovenstaande instructie smeert.



BELANGRIJK: controleer, direct na het smeren van uw looptrainer, of er tussen loopplaat en loopmat over tenminste een strook van 20 cm breed en over de volledige lengte, Teflon-olie is aangebracht. Indien dit nog niet het geval is, adviseren wij u om nogmaals en nu rechtstreeks op de onderkant van de loopmat de Teflon aan te brengen, totdat er ruim voldoende smering over de gehele mat is aangebracht!

4.4. STORINGSMELDINGEN

In de trainer is een mechanisme ingebouwd dat in staat is bepaalde elektronische storingen te signaleren en te lokaliseren. Hierdoor is het mogelijk deze snel te verhelpen. Dit mechanisme is uiteraard niet in staat om alle storingen te

herkennen maar dient vooral om die storingen te herkennen die eventueel kunnen ontstaan na lang en intensief gebruik. Indien het mechanisme een dergelijke storing signaleert zal op het scherm een storingsmelding verschijnen in gecodeerde vorm. Hieronder zijn deze codes en hun betekenis beschreven.

CODE	BETEKENIS
E1	De snelheidsmeter ontvangt geen signaal (m.a.w. de snelheidsmeter signaleert de beweging van de band niet).
E4	Storing in hefmechanisme of voetstuk.
E7	Programmafout.
E8	Bandsnelheid overschrijdt bovengrens.

Indien de monitor een foutmelding aangeeft of indien de trainer een andere storing vertoont, handelt u als volgt:

1. Zet de aan/uit schakelaar uit en na een minuut weer aan.
2. Controleer of de veiligheidssleutel goed in de monitor geschoven is.
3. Controleer of de looptrainer goed is aangesloten op het lichtnet.
4. Controleer of de looptrainer, volgens de aanwijzingen, goed gesmeerd is (zie 4.3. SMEREN VAN DE LOOPBAND).
5. Indien de foutmelding na bovenstaande handelingen nog steeds op de monitor verschijnt, neem dan contact op met uw TUNTURI dealer. Vermeld daarbij altijd het type- en serienummer van uw loopband (dit laatste vindt u op de onderzijde van de trainer).

tEtH De veiligheidssleutel niet correct aangebracht

Ondanks de strikte kwaliteitsbewaking is het mogelijk dat een enkel apparaat een storing vertoont als gevolg van een defect in een bepaalde component. In een dergelijk geval is het meestal niet nodig om het gehele apparaat ter reparatie aan te bieden, maar kan worden volstaan met het vervangen van het defecte component.

4.5. CUMULATIEVE WAARDEN

De totale gebruiksduur en de op de band afgelegde afstand worden automatisch in het geheugen van het bedieningspaneel opgeslagen. Deze gegevens zijn belangrijk in verband met het onderhoud. U kunt deze gegevens op de volgende wijze op het scherm zichtbaar maken.

1. Ga naar het menu "GEWICHT INVOEREN". Druk nu op STOP en houd deze ingedrukt terwijl u op SCAN/SELECT duwt. U komt nu in het menu "VOORKEURINSTELLINGEN".
2. Druk opnieuw op de STOP-toets en houd deze ingedrukt terwijl u eerst op SCAN/SELECT drukt en daarna op ENTER.
3. Het scherm toont nu de totale gebruiksduur in uren, totaal afgelegde afstand in km en de versie van de programmatuur van de looptrainer.
4. Druk tweemaal op ENTER om dit scherm te verlaten.

5. VERVOER EN OPSLAG

De looptrainer J 660 is aan de onderkant voorzien van transportwielletjes, waardoor de trainer gemakkelijk te verplaatsen is. Deze wielletjes bevinden zich aan de voorkant, u hoeft dus alleen de achterkant wat op te tillen. Controleer voordat u de trainer verplaatst of de stekker uit het stopcontact is en het elektriciteits snoer uit de trainer verwijderd is.

LET OP! Het kan zijn dat de band opnieuw gecentreerd moet worden nadat deze verplaatst is (zie 3.1. HET CENTREREN VAN DE BAND).

Berg de trainer op in een droge ruimte waar een redelijk constante temperatuur heerst en dek het af om het tegen stof te beschermen. Haal na gebruik altijd de stekker uit het stopcontact.

LET OP! Indien u de looptrainer drie weken niet gebruikt heeft, is het belangrijk dat u de mat van de looptrainer, volgens de in deze handleiding beschreven instructie, smeert!

6. TECHNISCHE GEGEVENS

Lengte	150 cm
Hoogte	125 cm
Breedte	90 cm
Gewicht	71 kg
Lengte loopvlak	135 cm
Breedte loopvlak	44 cm
Snelheid	1,5 - 16 km/u
Hellinghoek	0 - 10%
Bedieningspaneel	Afstand, hellinghoek, hartslag, tijd, tijd / km of mijl, snelheid, calorieverbruik LED-scherm 5 geïnstalleerde programma's 1 eigen programma
Motor	1,5 pk
Aandrijving	Riemaandrijving
Frame	Gelast staal, poeder-epoxy coating
Max. gewicht gebruiker	110 kg

VOORBEHOUDEN

TUNTURI-apparaten voldoen aan de EMC-richtlijn van de EU betreffende elektromagnetische compatibiliteit. De producten zijn voorzien van een CE-sticker overeenkomstig deze richtlijn. TUNTURI-looptrainers voldoen aan de DIN-normen 32933-1+3.

De in deze handleiding verstrekte informatie is met de grootste zorgvuldigheid en naar beste weten samengesteld. Toch wijzen wij erop dat iedereen die deze informatie gebruikt voor montage, gebruik en onderhoud van deze of andere toestellen, dit doet op eigen risico en verantwoording.

Door voortdurende productverbetering behouden wij ons het recht voor specificaties zonder nadere mededeling te wijzigen.

AVVERTENZE

LEGGETE ATTENTAMENTE QUESTO MANUALE PRIMA DEL MONTAGGIO, SEGUITE LE ISTRUZIONI IN ESSO CONTENUTE.

QUESTO ATTREZZO È STATO CONCEPITO PER USO DOMESTICO, PER IL QUALE VALE LA GARANZIA. ATTENZIONE! LA GARANZIA NON COPRE DANNI DERIVATI DA NEGLIGENZE DERIVATE NELLE REGOLAZIONI O NELLE MANUTENZIONI DESCRITTE I QUESTO MANUALE!

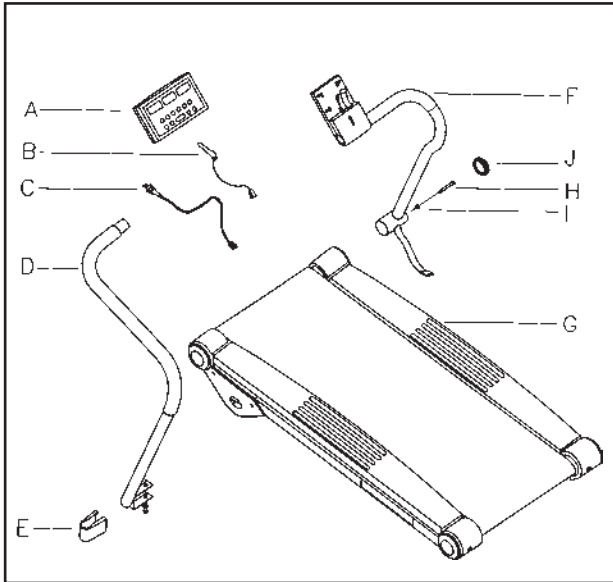
Prima di attaccare l'attrezzo, controllate che il voltaggio sia corretto. Questo attrezzo lavora a 230 V o 115 V. Il consumo massimo è 10 A/20 A. Assicuratevi che l'impianto sia collegato a terra. Evitare di usare prolunghe.

Prolunghe che servono più apparecchi, o che hanno fluttuazioni di voltaggio +5% possono risultare dannose all'elettronica del treadmill.

- * Prima dell'uso assicuratevi che l'attrezzo funzioni correttamente. Se notate irregolarità contattate il vostro rivenditore. Non usate un attrezzo difettoso.
- * **Non tentate riparazioni e manutenzioni diverse da quelle descritte in questo manuale. Seguitele alla lettera.**
- * Non usare il treadmill con polvere o coperture aperte.
- * Prima di procedere a operazioni di manutenzione, assicuratevi di spegnere e staccare la spina dell'attrezzo.
- * E' consigliabile staccare la spina dopo ogni allenamento.
- * Non tirare mai il cavo di corrente.
- * Non usatelo in esterno.
- * Posizionate l'attrezzo su una superficie piana. Lasciate 120 cm di spazio dietro e 60 cm ai lati e davanti.
- * E' responsabilità dei genitori o di chi altro fa le veci dei bambini perchè, a causa del loro naturale istinto al gioco ed alla loro curiosità, si possono mettere in situazioni di pericolo per la quale l'attrezzo non è concepito. Se si permette ai bambini di usare l'attrezzo si deve sempre tener conto del loro sviluppo fisico e mentale e del loro temperamento. Devono essere istruiti al corretto uso dell'attrezzo e controllati. Questo attrezzo non è un giocattolo.
- * L'attrezzo può essere collegato solo ad un impianto munito di messa a terra. Controllate l'esatto voltaggio sulla piastrina.
- * Non modificate la spina del treadmill usate un riduttore.
- * Il nastro è già lubrificato con teflon all'origine. Non applicate silicone.
- * Prima dell'uso familiarizzate con le regolazioni, il pannello e i tasti dell'attrezzo.
- * Prima di iniziare l'allenamento consultate un medico per controllare il vostro stato di forma.
- * **Se avvertite disturbi, nausea o altri sintomi anormali durante l'esercizio, smettete immediatamente e consultate un medico.**
- * L'attrezzo può essere usato da una persona alla volta.
- * Impugnate sempre il manubrio quando salite e scendete dal treadmill e quando cambiate velocità. Non saltate giù quando il nastro è in movimento.
- * Indossate l'abbigliamento appropriato durante l'allenamento. Assicuratevi che le stringhe delle scarpe siano strette. Per non rovinare il nastro, controllate che non ci siano sassolini o altre sotto le soles.
- * Tenete le mani lontane dalle parti in movimento. Non mettere mai mani, piedi o altri oggetti sotto il treadmill.
- * **Questo treadmill è dotato di una chiave di sicurezza. Il tappeto si ferma immediatamente quando questa chiave è rimossa. Attaccate quindi sempre la corda della chiave a un punto del vostro vestito in modo da estrarre la chiave se cadete.**
- * Fare sempre dello stretching prima di una seduta di allenamento.
- * Questo treadmill non è raccomandato per persone oltre i 110 kg.
- * Le informazioni date in questo manuale sono date in buona fede ed il più precise possibile. Chiunque usi queste informazioni in qualsiasi modo lo fa a suo rischio e pericolo.

1. ASSEMBLAGGIO

Prima del montaggio assicuratevi che tutte le parti siano presenti:



- A pannello
- B chiave di sicurezza con corda (+ chiave di ricambio)
- C cavo di alimentazione
- D corrimano sinistro
- E copertura corrimano
- F corrimano destro con pannello
- G telaio principale
- H-J utensili, cappucci bianchi decorativi

Se notate la mancanza di qualcosa contattate il vostro rivenditore citando il modello (J 660), il numero di serie dell'attrezzo e il codice del ricambio.

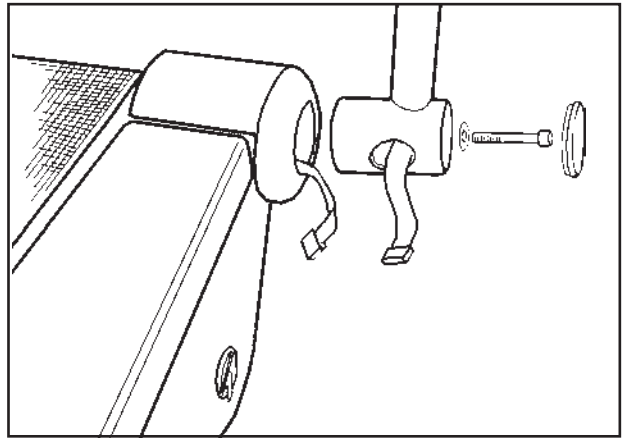
Montate come segue (sinistra, destra, davanti e dietro sono visti dalla posizione di esercizio):

1.1. MONTAGGIO DEI CORRIMANO

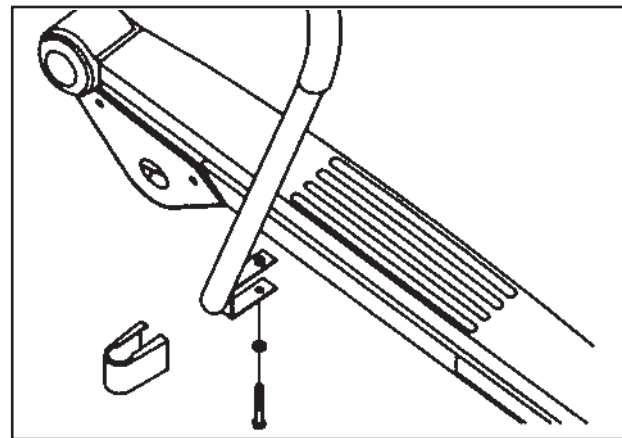
ATTENZIONE! Non stringere le viti prima che i due corrimani sono montati.

Rimuovere il sacchetto anti umidità dal fondo del corrimano destro.

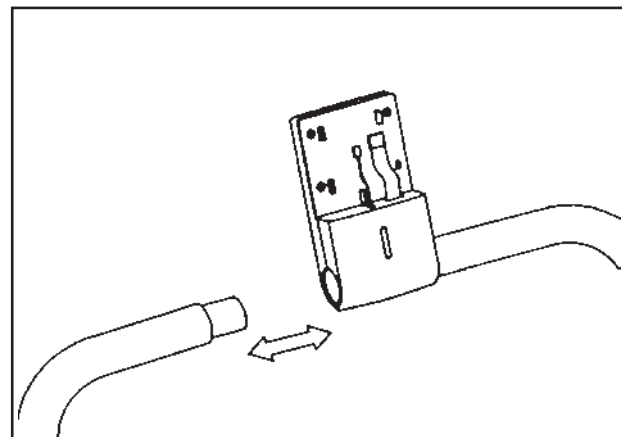
Tirare fuori il cavo piatto dalla copertura bianca destra e inserite il corrimano destro sull'angolo frontate destro. Avvitare la brugola con una vite ed una ranella. **N.B. Attenzione a non danneggiare il cavo piatto! Il cavo fuoriesce tra la copertura ed il corrimano!** Premete ora la copertura bianca alla base del corrimano destro.



Attaccate la base del corrimano sinistro al telaio. Pressare la copertura alla base del corrimano sinistro.



Inserire il corrimano sinistro nel suo alloggiamento alla base del pannello attaccato al corrimano destro.



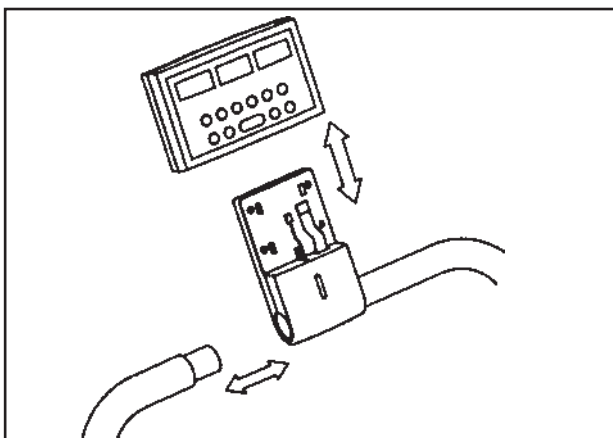
Quando i due corrimano sono a contatto stringete le viti alla base del pannello.

Non danneggiare il cavetto che fuoriesce dal corrimano destro.

Stringere le viti della base del corrimano destro.

1.2. MONTAGGIO DEL PANNELLO

Connettere il cavo delle pulsazioni ed il cavo piatto sul retro del pannello. Spingere i cavetti dentro alla base del pannello ed inserire il pannello nella base.

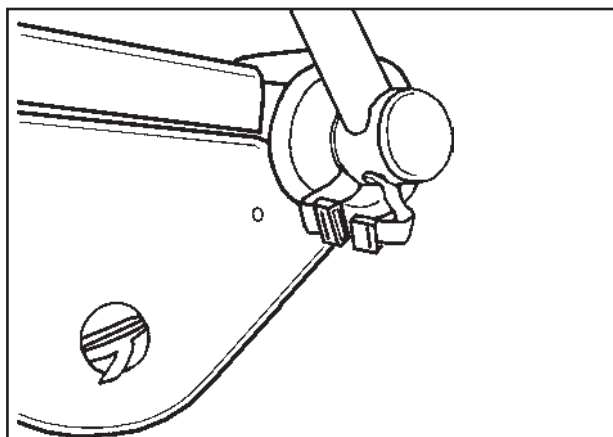


Non danneggiare il cavetto che fuoriesce dal corrimano destro.

Togliere la pellicola protettiva dallo schermo.

1.3. COLLEGAMENTO DEL CAVO

Connettere il cavo piatto che fuoriesce dal telaio con quello che esce dal corrimano destro.

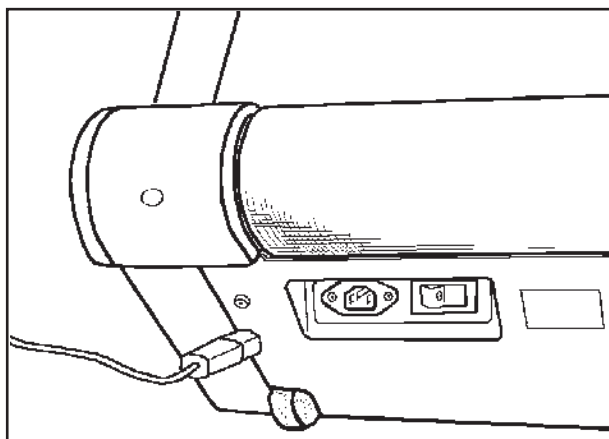


1.4. INSERIMENTO DELLA SPINA NELLA PRESA

Attaccare il cavo al tappeto.

Prima di attaccarlo alla corrente assicuratevi che il voltaggio sia corretto.

ATTENZIONE! Dopo aver montato il treadmill è assolutamente necessario lubrificarlo accuratamente con il teflon fornito con la confezione (vedi 4.3. PROCEDURA PER LA LUBRIFICAZIONE DELLA PIATTAFORMA).



2. USO

Accendete l'interruttore situato nell'angolo anteriore in basso a destra. Lo schermo del J 660 pannello mostra l'ultimo peso impostato (vedi 2.5. IMPOSTAZIONE PESO).

2.1. INSERIMENTO DELLA CHIAVE DI SICUREZZA

Questo treadmill è equipaggiato della chiave di sicurezza. Se questa chiave viene rimossa dal pannello il tappeto si ferma immediatamente.

Inserite la chiave gialla nella fessura sul pannello e attaccate la clip all'altro capo alla maglietta o al colletto.

N.B. Il treadmill non può essere usato ed il pannello non funziona completamente se la chiave di sicurezza non è inserita correttamente nella base del pannello.

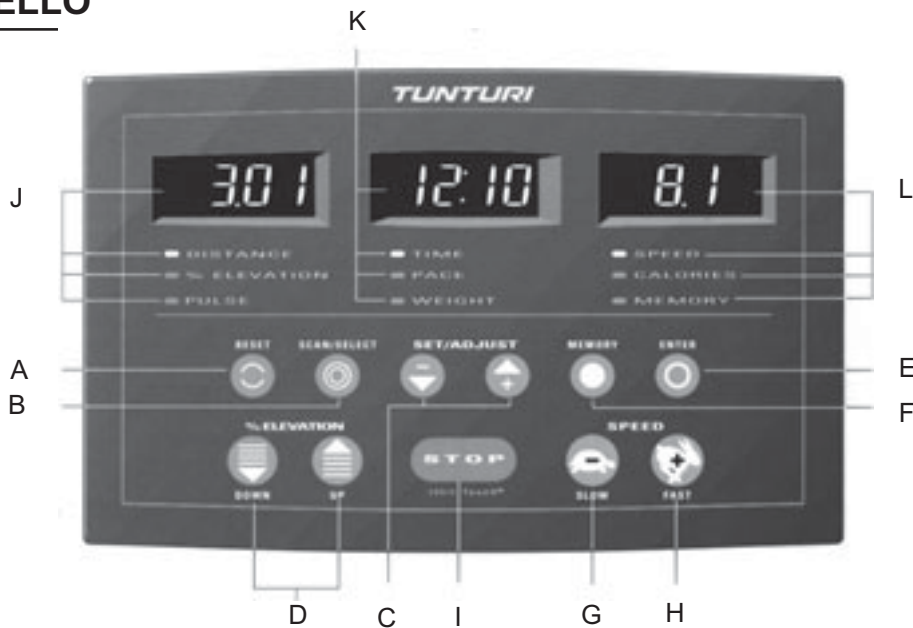
2.2. DURANTE L'ALLENAMENTO

L'esercizio con il J 660 è un eccellente esercizio aerobico: molto meglio se di bassa intensità ma di lunga durata. **Dovreste allenare almeno tre volte la settimana per 30 minuti** per raggiungere un discreto livello che per essere migliorato richiede solo l'incremento delle sessioni di allenamento.

L'allenamento aerobico si accompagna anche alle diete perchè è l'unico modo per incrementare l'energia spese dal corpo. Una persona chi si sottopone ad una dieta dovrebbe accompagnarla ad un allenamento regolare. Potete iniziare a ritmo blando perchè un esercizio troppo intenso può provocare in una persona sovrappeso un affaticamento del cuore.

Si possono controllare i propri progressi misurando le pulsazioni sotto sforzo grazie all'accessorio incluso. Questo anche per controllare che l'allenamento sia efficace ma non troppo pesante (vedi 2.13. MISURAZIONE DELLE PULSAZIONI).

2.3. PANNELLO



2.3.1. TASTI

- (A) RESET**
 Quando il nastro è in movimento: azzerata tempo, distanza e kilocalorie. Quando il nastro è fermo: ritorna il pannello al livello "imposta il peso". Per continuare impostare il peso con i tasti freccia e premere ENTER o semplicemente premere ENTER per accettare il peso preimpostato.
- (B) SCAN / SELECT**
 Premendo una volta questo tasto si alternano tutti i valori sullo schermo. Premendolo una seconda volta si ferma la scansione e appaiono solo i parametri correnti.
- (C) + E - TASTI FRECCIA (SET / ADJUST)**
 Questi tasti si usano per impostare il peso (kg) per calcolare il consumo di energia in più sono usati per impostare i dati iniziali dell'utente.
- (D) UP E DOWN TASTI FRECCIA (% PENDENZA)**
 La freccia in alto incrementa la pendenza a passi di 1 %, facendo abbassare il retro del tappeto. La freccia in basso diminuisce la pendenza a passi di 1 %, facendo alzare il retro del tappeto.
- (E) ENTER**
 Lo si usa per confermare il peso ed anche nell'impostazione dei dati iniziali dell'utente.
- (F) MEMORY**
 Lo si usa per salvare e aprire uno dei cinque allenamenti preimpostati o quello fatto manualmente.
- (G) TARTARUGA (SPEED / SLOW)**
 Diminuisce la velocità del nastro a passi di 0.1 km/h.
- (H) CONIGLIO (SPEED / FAST)**
 Incrementa la velocità del nastro a passi di 0.1 km/h.
- (I) STOP**
 Ferma il motore ed il nastro. Se premuto una volta si entra in "pausa". Tutti i dati correnti dell'allenamento come velocità e pendenza si salvano in memoria per 1-5 minuti (dipende dal tempo pausa preimpostato, vedi 2.4. IMPOSTAZIONE UTENTE). Questo permette di fermare il tappeto e poi riprenderlo senza perdere i dati numerici. Se STOP è premuto

due volte o quando la pausa è finita, il pannello continua a mostrare i valori finali dell'allenamento ma non è possibile continuare l'allenamento da questi valori.

2.3.2. FUNZIONI

La spia luminosa vicino ad ognuna indica la funzione mostrata sullo schermo.

DISTANCE (Distanza) (J)
 Mostra la distanza percorsa nell'esercizio in km o miglia.

% ELEVATION (Inclinazione)
 Mostra la corrente inclinazione in percentuale (0-10 %).

PULSE (Pulsazioni) - OPTIONAL
 Mostra le pulsazioni (vedi 2.14. MISURAZIONE PULSAZIONI).

TIME (Tempo) (K)
 Mostra il tempo trascorso nell'esercizio.

PACE (Ritmo)
 Mostra il tempo che occorre per percorrere un km (miglio) alla velocità corrente.

WEIGHT (Peso)
 Mostra il peso impostato (max 110 kg).

SPEED (Velocità) (L)
 Monitorizza la velocità del nastro in km/h (1.5-16.0 km/h) o in miglia (1.0-10.0 mph).

CALORIES (Calorie)
 Mostra il consumo energetico stimato (0-999 kcal) usando i valori di peso, tempo, velocità ed inclinazione per calcolarlo. A causa della differente capacità delle persone di produrre energia, questo valore è da considerarsi statistico e mostra solo una approssimazione del reale consumo.

MEMORY
 La spia luminosa vicino a MEMORY è accesa quando si corre un programma dell'utente o uno preimpostato.

2.4. IMPOSTAZIONE UTENTE

Questa impostazione permette all'utente di scegliere certi parametri: inglesi (mile, mph, lbs) o metrici (km, km/h, kg), mantenere o disattivare segnali acustici ed impostare la durata della pausa. In più potete impostare o disattivare una protezione della memoria.

1. Tenere premuto STOP e premere SCAN/SELECT (mentre lo schermo è in funzione "enter weight").
2. Il pannello mostra "EngL" (sistema inglese) o "ISo" (sistema metrico). Scegliere con i tasti freccia quello desiderato.
3. Premere SCAN/SELECT. Lo schermo mostra "Aud 1" (segnale acustico acceso) o "Aud 0" (segnale acustico spento). Scegliere con i tasti freccia il parametro desiderato.
4. Premere SCAN/SELECT. Lo schermo mostra "to 1", "to 2", "to 3", "to 4", "to 5" (to = time out = pausa). Scegliere il valore desiderato con i tasti freccia. Se avete scelto ad esempio "to 4", il pannello manterrà in memoria i dati di esercizio fino a 4 minuti, in modo da non perdere alcun valore se ricominciate prima.
5. Premete ancora SCAN/SELECT. Sullo schermo appare "PENb" (protezione memoria non attiva) oppure "PdIS" (protezione memoria attiva). Se la protezione è attiva, non si possono modificare i programmi salvati in memoria. Scegliete il parametro desiderato con i tasti freccia.
6. Premere ENTER per tornare in funzione "impostazione peso".

2.5. IMPOSTAZIONE DEL PESO (ENTER WEIGHT)

Quando si accende lo schermo, il J 660 mostra la scritta "Tunturi J 660" e quindi chiede di impostare il peso.

1. La luce vicino a WEIGHT lampeggia e lo schermo mostra l'ultimo peso impostato.
2. Impostate il vostro peso corporeo con i tasti freccia.
3. Confermate premendo ENTER.
4. La luce lampeggia vicino a SPEED e lo schermo mostra velocità 0.0.

2.6. INIZIO DI ALLENAMENTO

Impugnate sempre il manubrio quando salite o scendete dal treadmill e quando cambiate velocità. Non saltate giù quando il nastro è in movimento.

Mettete i piedi sui binari laterali e non sul nastro.

2.7. SCEGLIERE PROGRAMMI O IMPOSTAZIONE MANUALE

2.7.1. IMPOSTAZIONE MANUALE

Se non volete usare alcun programma preimpostato, iniziate l'allenamento premendo una volta il tasto CONIGLIO (SPEED/FAST). Il nastro comincia a muoversi alla velocità di 1.5 km/h. Sostenetevi impugnando i corrimano e salite con attenzione sul nastro in movimento. Incrementate la velocità premendo il tasto CONIGLIO, mentre per rallentare basta agire sul tasto TARTARUGA (SPEED/SLOW).

ATTENZIONE! Non salite mai sul nastro in movimento se va più veloce di 1.5 km/h.

Se volete potete cambiare la pendenza durante la corsa agendo sui tasti freccia UP e DOWN. Il tasto UP aumenta la pendenza con incrementi di 1%, facendo abbassare il retro del treadmill. Il tasto DOWN diminuisce la pendenza con incrementi di 1% facendo sollevare il retro del treadmill.

2.7.2. PROGRAMMI

Se volete scegliere un programma preimpostato o un programma dell'utente, premete MEMORY.

ATTENZIONE! Se non è stato salvato precedentemente alcun programma utente, potete solo scegliere uno dei programmi preimpostati. Scegliere il programma desiderato per mezzo dei tasti freccia (SET/ADJUST). Confermare premendo ENTER.

Se avete scelto uno dei profili preprogrammati, scegliete il livello di intensità (IL) desiderato per mezzo dei tasti freccia (SET/ADJUST): **IL 1 = principiante, IL 2 = intermedio, IL 3 = intermedio avanzato, IL 4 = avanzato e IL 5 = atletico.** Confermare il livello di intensità selezionato premendo ENTER.

Iniziate il programma premendo il tasto CONIGLIO (SPEED/FAST). Lo schermo suona due volte ed il nastro incomincia a muoversi. Il pannello suona anche per 15 secondi prima di ogni cambiamento di velocità e/o pendenza durante il programma.

2.8. SCANSIONE DEI VALORI (SCAN)

Premendo una volta SCAN/SELECT il pannello alterna differenti valori. Ogni valore è mostrato per 3 secondi. **ATTENZIONE!** Le pulsazioni funzionano solo se indossate la cintura rilevatrice al petto (vedi 2.13. MISURAZIONE PULSAZIONI). Premendo ancora SCAN/SELECT la funzione SCANSIONE si ferma e lo schermo mostra solo il valore corrente.

2.9. FUNZIONE PAUSA

Se volete fare una pausa premete STOP. Il nastro si ferma e tutti i dati vengono salvati fino al tempo di pausa impostato (vedi 2.4. IMPOSTAZIONE UTENTE).

Per riprendere l'allenamento basta premere CONIGLIO. Il tappeto tornerà all'ultima velocità e riprenderà i conteggi degli altri valori dal punto di pausa.

Se si preme STOP due volte o se ci si ferma oltre il tempo di pausa impostato il pannello mostra gli ultimi valori ma non è più possibile riprendere l'allenamento da questi valori. Si può tornare in "impostazione peso" premendo RESET o ENTER.

ATTENZIONE! Non togliete la chiave di sicurezza durante una pausa perchè questo interrompe i conteggi.

2.10. PRIMA DI FINIRE L'ALLENAMENTO

Il nastro può essere fermato in molti modi, per esempio:

1. Premendo STOP.
2. Estraendo la chiave di sicurezza.
3. Diminuendo la velocità fino a 0.0 km/h con il tasto TARTARUGA.
4. Raggiungendo la fine di un programma.

ALLA FINE DI OGNI SEDUTA RICORDATEVI DI:

Spegnere l'interruttore generale.

Attaccare la chiave di sicurezza.

Togliere la spina e levare il cavo dalla portata di bambini.

Se necessario pulire l'attrezzo con un panno umido. Non usare solventi.

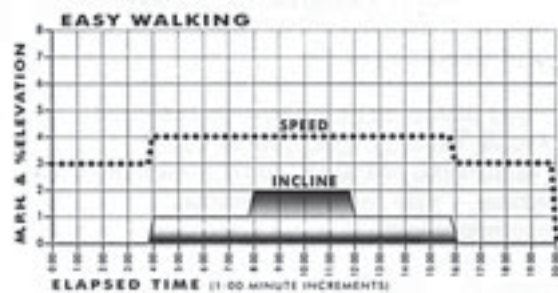
2.11. PROGRAMMI

Il J 660 ha già in memoria cinque differenti programmi di allenamento specificatamente disegnati. Potete anche salvare un vostro programma specifico (vedi 2.12. REGISTRAZIONE E SALVATAGGIO DEI PROGRAMMI UTENTE).

Ogni programma in memoria può essere eseguito con cinque differenti livelli di intensità eccetto "CAMMINATA LEGGERA" che ha tre livelli. Se necessario potete variare la velocità e la pendenza di un programma preimpostato a seconda della vostra condizione.

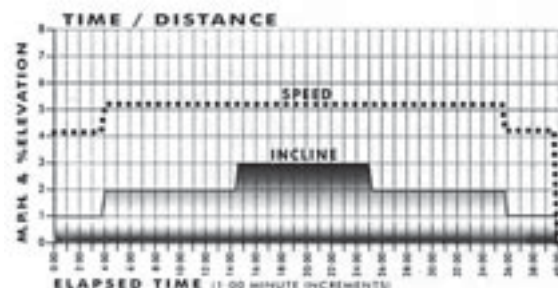
PROGRAMMA 1: CAMMINATA LEGGERA

Questo programma è particolarmente adatto al riscaldamento e alla decontrazione dopo l'allenamento. Ci sono pochi piccoli cambiamenti in velocità e pendenza nel programma e può essere eseguito a tre livelli differenti (15-20-25 minuti).



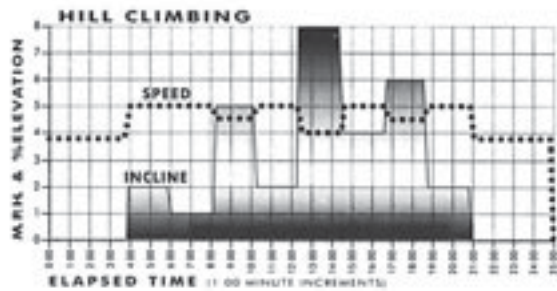
PROGRAMMA 2: TEMPO / DISTANZA

E' un programma per rinforzare il sistema cardiovascolare oltre ai muscoli della parte superiore del corpo, aiutandovi a mantenere il vostro stato di forma. La durata varia da 20 a 40 minuti a seconda dell'intensità scelta.



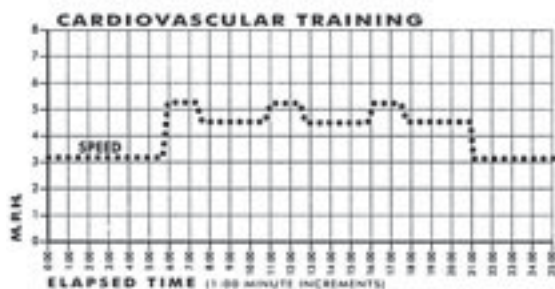
PROGRAMMA 3: COLLINA

Un programma cardiovascolare. I piccoli cambiamenti di velocità sono accompagnati da drastici cambiamenti di pendenza per rinforzare il cuore. La durata varia da 15 a 25 minuti a seconda dell'intensità scelta.



PROGRAMMA 4: ALLENAMENTO CARDIOVASCOLARE

Il programma è basato sul famoso principio dell'allenamento intervallato (intervaltraining). Si eleva il battito cardiaco fino al 85 % del suo massimo per molti minuti e quindi lo si fa riposare per molti minuti. Questo programma migliora la vostra capacità cardiovascolare in modo che possiate sopportare allenamenti di lunga durata. La durata del programma varia da 15 a 35 minuti a seconda dell'intensità scelta.

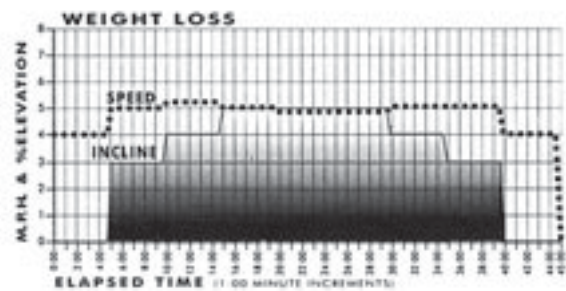


PROGRAMMA 5: PERDITA DI PESO

Questo programma è stato concepito per coloro i quali hanno come obiettivo bruciare grassi eccedenti o mantenere l'attuale peso corporeo. Se siete principianti questo programma è forse troppo duro. Iniziate quindi con il livello uno e cambiate il livello gradualmente dopo un allenamento graduale di 4-6 settimane. E' importante che il vostro metabolismo e i vostri muscoli si abituino al nuovo ritmo e stile di vita. La durata del programma varia da 25-45 minuti a seconda dell'intensità scelta.

Se volete perdere peso, bisogna che l'ammontare delle calorie consumate sia superiore alla calorie assorbite. Quindi dovete aumentare l'attività fisica o ridurre la quantità di cibo. La perdita di peso può essere molto bassa all'inizio perchè il grasso bruciato incrementa l'ammontare di fluidi nel corpo. Gradualmente i fluidi in eccesso lasciano il corpo sottoforma di sudore e urine, mentre il metabolismo si adatta a questo nuovo ciclo più veloce. E' anche importante

ricordare che i muscoli pesano più del grasso ma richiedono meno volume.



2.12. REGISTRAZIONE E SALVATAGGIO DI UN PROGRAMMA UTENTE

Alla fine di una sessione, se volete potete salvare il vostro allenamento in memoria.

1. Premere MEMORY dopo aver impostato in proprio peso.
2. Usando i tasti freccia (SET/ADJUST) selezionate un programma (Pro 1, Pro 2, Pro 3 etc.). Se in memoria ci sono anche dei programmi utente salvati in precedenza, sullo schermo apparirà prima USr 1. Premere ENTER.
3. Selezionate il livello di intensità selezionato (IL 1, IL 2, IL 3 etc.) agendo sui tasti freccia (SET/ADJUST). Premere ENTER.
4. Iniziate l'allenamento regolando velocità e pendenza se desiderate.
5. Completate l'allenamento prescelto premendo STOP (2 volte se volete interrompere a metà del programma).
6. Il pannello dirà "Save no". Se volete salvare questo particolare programma di allenamento in memoria compresi gli eventuali cambiamenti operati su un programma precedentemente salvato premete uno dei tasti freccia (SET/ADJUST) e lo schermo risponderà "Save yes". Premere ENTER.
7. L'allenamento è stato così salvato in memoria come programma utente.

2.13. MISURAZIONE PULSAZIONI

Il J 660 possono monitorizzare la frequenza cardiaca e incorporano nel pannello un ricevitore compatibile con i trasmettitori telemetrici POLAR. Questo trasmettitore è un optional per il J 660.

2.13.1. USO DEL TRASMETTITORE DI PULSAZIONI POLAR

ATTENZIONE! SE PORTATE UN PACEMAKER, POTETE USARE LA CINTURA TRASMETTITORE SOLO DIETRO APPROVAZIONE MEDICA!

Se volete misurare il vostro ritmo cardiaco durante l'allenamento indossate la cintura trasmittente. **Inumidite gli elettrodi in gomma con saliva o acqua.**

ATTENZIONE! Se gli elettrodi non sono umidi, può non apparire la vostra pulsazione sullo schermo.

Il trasmettitore invierà automaticamente la vostra pulsazione al pannello fino ad una distanza di 1 metro. La luce vicino a PULSE lampeggerà in sincronia con il battito cardiaco.

ATTENZIONE! Se ci sono tanti trasmettitori vicini, devono essere distanti almeno 1.5 m uno dall'altro onde evitare interferenze.

Il trasmettitore si accende automaticamente. Per prevenire problemi, asciugarlo e pulirlo il trasmettitore dopo l'uso.

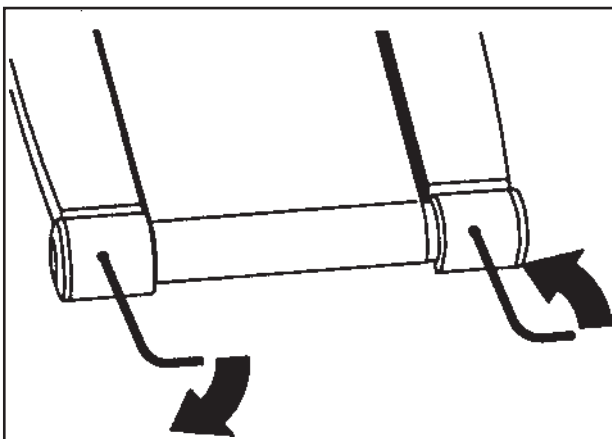
3. REGOLAZIONI

Controllate la scorrevolezza del tappeto nel corso dell'esercizio ed eseguite le eventuali operazioni di regolazione.

3.1. ALLINEAMENTO DEL NASTRO

Il nastro dovrebbe rimanere sempre allineato se il tappeto è usato in posizione orizzontale e la sua tensione è corretta, sempre che il vostro stile di corsa non sia sbagliato (ad esempio maggiore peso su un piede). L'allineamento del nastro è regolato dai due dadi posti sul retro dell'attrezzo. Procedere così:

1. Accendere l'attrezzo e regolare la velocità su 5 km/h.
2. Se il nastro scivola a sinistra girare di 1/8 il dado a sinistra in senso orario e svitare di 1/8 il dado a destra in senso antiorario.



3. Se il nastro scivola a destra girare di 1/8 il dado a destra in senso orario e svitare di 1/8 il dado a sinistra in senso antiorario. Non girate più di 1/8 per volta.
4. Se il nastro resta in centro, l'allineamento è corretto, altrimenti continuate ad effettuare piccole regolazioni come sopra finché il nastro non rimanga in centro.

Se il nastro è lasciato per lunghi periodi toccare da una parte, si deteriora e deve essere cambiato. Questo non è coperto da garanzia perché è dovuto ad una mancanza di manutenzione.

3.2. REGOLAZIONE DELLA TENSIONE DEL NASTRO

Il nastro deve essere teso se scivola sui rulli.

In uso normale, comunque, mantenete il più lento possibile!

Per regolare la tensione del nastro si agisce sugli stessi dadi che si regolano per l'allineamento.

1. Accendere l'attrezzo e regolare la velocità su 5 km/h.
2. Stringere entrambi i dadi in modo uguale (1/8 in senso orario).
3. Camminando sul tappeto, e tenendosi ai corrimano, cercate di rallentarlo (come quando si cammina in discesa).

ATTENZIONE! Se frenate violentemente il tappeto può scivolare.

4. Se il nastro scivola, stringete ancora i dadi di 1/8 e ripetete il test del punto 3.

4. MANUTENZIONE

Raccomandiamo vivamente di effettuare con regolarità la manutenzione periodica.

Controllate ogni tanto che tutti gli spinottini siano ben inseriti ed i cavi facciano sempre contatto.

4.1. PULIZIA ED ISPEZIONE DEL NASTRO

Spegnete il treadmill a staccate il cavo d'alimentazione. Appoggiate il treadmill su un lato. Pulite l'interno del nastro con una spazzola ruvida, senza usare solventi. Ruotate a mano il nastro per pulirlo bene. Potete anche allentare i dadi di regolazione della

tensione se necessario. Alla fine riportate l'attrezzo in posizione naturale. Se i bordi del nastro sono rovinati, controllate l'allineamento.

4.2. PULIZIA DEL TREADMILL

Pulite i corrimano ed il pannello dalle polveri con un panno umido, senza usare solventi.

Usate un'aspirapolvere con punta piccola per pulire dalla polvere tutte le parti visibili (nastro, piattaforma, bordi dei rulli etc.). Aspirate anche nelle grate del motore.

Pulire i rulli una volta per anno come segue: Estrare i dadi di regolazione e pulire i rulli con una spazzola ruvida. Tendete i dadi di regolazione della tensione. Controllate ovviamente che il nastro sia allineato (vedi 3.1. ALLINAMENTO DEL NASTRO e 3.2. REGOLAZIONE DELLA TENSIONE DEL NASTRO).

4.3. PROCEDURA PER LA LUBRIFICAZIONE

La lubrificazione è la più importante delle operazioni di manutenzione. La lubrificazione è assolutamente necessaria ogni volta che notate l'attrito della piattaforma sia aumentato in misura consistente o che il motore surriscaldato. In ogni caso la lubrificazione deve essere assolutamente fatta ogni 200 chilometri; raccomandiamo la rilubrificazione una volta al mese.. Durante i primi 200 km di uso si deve lubrificare la piattaforma ogni 50 km. Una insufficiente lubrificazione può causare il consumo e la conseguente rottura del nastro, della piattaforma nonché del motore.

ATTENZIONE! All'atto del primo collaudo, l'attrezzo deve essere accuratamente lubrificato in base alle seguenti istruzioni.

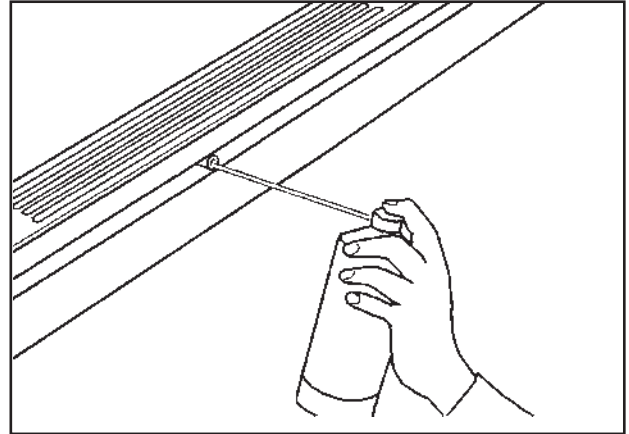
ATTENZIONE! Se il treadmill non è stato usato per almeno 3 settimane deve essere attentamente lubrificato seguendo le istruzioni sotto riportate.

La frequenza della lubrificazione è comunque dipendente anche dal peso e dallo stile di corsa dell'utente. Un peso corporeo abbondante e le basse velocità sottopongono l'attrezzo a uno sforzo suppletivo e devono di conseguenza essere presi in considerazione nella manutenzione. La lubrificazione deve essere effettuata utilizzando soltanto il teflon fornito dalla ditta produttrice unitamente all'attrezzo. Potete richiederlo anche al vostro rivenditore.

ATTENZIONE! La lubrificazione con silicone è assolutamente vietata.

Applicate il teflon contenuto nella bomboletta in dotazione seguendo questi passi:

1. Fate andare il nastro a bassa velocità e spruzzate il teflon nella pipetta contrassegnata sotto al treadmill.
2. La prima volta spruzzate per 20 secondi, dalle successive è sufficiente 10 secondi.
3. Il teflon scorrerà al centro del nastro e l'attrezzo è pronto all'uso.



Ogni qualvolta lubrificate il treadmill, assicuratevi che una striscia larga almeno 20 cm diventi umida di teflon per tutta la lunghezza della piattaforma. Se necessario applicate del teflon con lo spray anche direttamente sulla parete interna del nastro.

4.4. CODICI DI ERRORE

Integrato in memoria, il J 660 ha un sistema di autoricerca guasti che vi permette di intervenire immediatamente. Ovviamente non è in grado di trovare tutti i guasti ma, vi avverte comunque dei principali problemi che si verificano dopo una certa usura. Quando questo accade, si possono leggere i seguenti messaggi:

CODICE	DESCRIZIONE
E 1	Guasto al sensore della velocità
E 4	Problemi al sistema o al sensore di inclinazione
E 7	Problemi al software
E 8	La velocità del nastro è superiore a quella impostata

Quando appare un codice di errore sullo schermo o si verificano altre disfunzioni, procedete come segue:

1. Spegnete l'attrezzo per almeno un minuto e riaccendetelo.

2. Assicuratevi che la chiave di sicurezza sia ben inserita.
3. Assicuratevi che il cavo di alimentazione sia ben inserito.
4. Assicuratevi che la piattaforma sia ben lubrificata (vedi 4.3. LUBRIFICAZIONE DELLA PIATTAFORMA).
5. Se il codice di errore permane dopo queste manutenzioni, contattate il vostro rivenditore, specificando sempre il codice di errore ed il numero di serie dell'attrezzo.

tEtH La chiave di sicurezza non è inserita correttamente nella base del pannello.

Nonostante i continui controlli di qualità possono esserci alcuni componenti difettosi. In questi casi è sufficiente sostituire il singolo componente.

4.5. MANUTENZIONE UTENTE (MENU')

Il tempo totale di uso e la distanza totale percorsa nella vita del treadmill sono salvati in memoria. Se volete conoscerli, procedete come segue:

1. Tenendo premuto STOP premete SCAN/SELECT, si entrerà così nel menù "impostazione utente".
2. Tenendo premuto STOP, premete SCAN/SELECT e ENTER.
3. Lo schermo mostrerà in scansione: versione software, tempo totale distanza totale.
4. Per uscire, premete ENTER due volte.

5. SPOSTAMENTO ED IMMAGAZZINAGGIO

Il J 660 è dotato di ruote per facilitarne lo spostamento. Ovviamente staccate prima il cavo di alimentazione dalla spina. Sollevate il treadmill dal retro e spingetelo e tiratelo nella direzione desiderata.

Può darsi che dopo uno spostamento si debba allineare nuovamente il nastro (vedi 3.1. ALLINEAMENTO DEL NASTRO E REGOLAZIONE DELLA TENSIONE e 3.2. REGOLAZIONE DELLA TENSIONE DEL NASTRO).

Per prevenire problemi, conservate l'attrezzo in luogo non umido e con minori variazioni di temperatura possibili, protetto dalla polvere. Staccate sempre la spina quando non in uso.

ATTENZIONE! Se il treadmill non è stato usato per almeno 3 settimane deve essere attentamente lubrificato seguendo le istruzioni.

6. DATI TECNICI

Lunghezza	150 cm
Altezza	125 cm
Larghezza	90 cm
Peso	71 kg
Dimensioni nastro	135 x 44 cm
Velocità	1.5-16 km/h
Pendenza	0-10 %
Pannello	Distanza
	Pendenza
	Pulsazioni (optional)
	Tempo
	Ritmo
	Velocità
	Energia

Schermo a cristalli liquidi

5 programmi preimpostati
1 programma utente

Motore	1,5 HP
Trasmissione	cinghia
Telaio	acciaio
Massimo peso utente	110 kg

Tutti i modelli TUNTURI sono compatibili con le direttive Europee di sicurezza.

I treadmill TUNTURI sono conformi alle norme DIN sulla precisione e sicurezza (DIN 32933-1+3).

Dati tecnici possono cambiare grazie al nostro continuo programma di sviluppo dei prodotti.

ANMÄRKNINGAR OCH VARNINGAR

LÄS NOGGRANT IGENOM BRUKSANVISNINGEN FÖRE MONTERING, ANVÄNDNING OCH SERVICE. DET ÄR VIKTIGT ATT DE GIVNA ANVISNINGARNA FÖLJS.

REDSKAPET ÄR AVSETT FÖR TRÄNING I HEMMET! TUNTURIPYÖRÄ OY:S GARANTI GÄLLER ENBART FEL ELLER BRISTER SOM UPPKOMMER VID ANVÄNDNING I HEMMET. OBSERVERA ATT GARANTIN INTE TÄCKER SKADOR UPPKOMNA GENOM FÖRSUMLIGHET AV INSTÄLLNINGEN/JUSTERINGAR, ELLER UNDERLÅTENHET ATT FÖLJA ANVISNINGARNA I DENNA INSTRUKTIONSBOK.

Kontrollera att nätspänningen överensstämmer med den spänning som finns angiven på löpbandets dataskylt innan bandet ansluts till elnätet. Löpbandet fungerar antingen med 230 V eller 115 V spänning. Observera att den maximala strömförbrukningen är 10A/20A. Löpbandet får endast anslutas till jordat uttag. Använd inga skarvsladdar när löpbandet ansluts till nätet.

Variationer i nätspänningen på mer än 5 % kan leda till felfunktioner och skada elektroniken. Garantin upphör att gälla om redskapet ansluts i strid med instruktionerna i denna bruksanvisning.

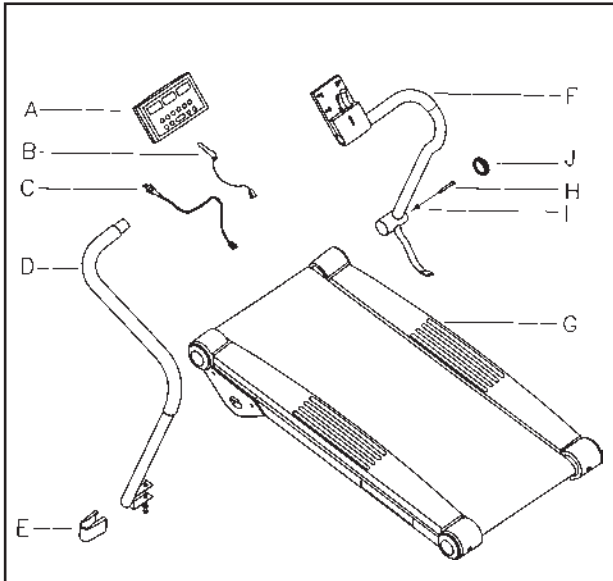
- * Kontrollera att redskapet i skick, innan du börjar träna. Använd aldrig ett redskap som är sönder.
- * **Utför endast de service- och justeringsåtgärder, som nämns i denna bruksanvisning. Givna anvisningar bör följas.**
- * Använd inte redskapet innan alla kåpor och skydd är på plats.
- * Vid montering och service skall strömmen vara frånslagen och stickproppen utdragen ur eluttaget.
- * Drag ut stickproppen efter varje användning.
- * Flytta aldrig redskapet genom att dra i sladden.
- * Använd redskapet enbart inomhus.
- * Placera redskapet på ett så jämnt underlag som möjligt och så att du har ett fritt utrymme på minst 60 cm framför och på sidorna av och minst 120 cm bakom redskapet.
- * Föräldrar och andra personer som har ansvar för barn skall beakta, att barnens naturliga lekbehov och experimentlust kan leda till situationer, för vilka redskapet inte är avsett. Om barn får använda redskapet, måste föräldrarna eller andra ansvariga personer beakta barnens psykiska och fysiska utveckling och framför allt barnens natur. Barn skall erhålla handledning i redskapets användning. Redskapet är absolut ingen leksak för barn.
- * Redskapets nätkabel är försedd med jordad kontakt och stickdosa. Eventuella ändringar får endast utföras av person, som har kvalifikation att serva elmekaniska redskap enligt de bestämmelser som gäller i respektive land.
- * Bottenskivan får under inga omständigheter smörjas med silikon.
- * Gör dig förtrogen med reglage, displayer och knappar före användningen.

KOM OCKSÅ IHÅG:

- * **Konsultera din läkare innan du inleder ditt träningsprogram.**
- * Om du känner dig illamående, får svindel eller uppvisar andra onormala symtom under träningen, skall du omedelbart avbryta träningen och vända dig till din läkare.
- * Redskapet får endast användas av en person åt gången.
- * Fatta alltid tag i handstödet när du stiger på eller av löpbandet och alltid när du ändrar bandets hastighet mitt under pågående träning. Hoppa aldrig av ett roterande löpband!
- * Håll händerna borta från det roterande bandet. Se till att det inte finns någonting under bandet och stoppa aldrig händer eller fötter eller främmande föremål under det.
- * Använd lämplig klädsel och passande skor när du tränar och se till att skobanden alltid är ordentligt knutna. Använd helst sportskor avsedda för träning inomhus. Stenar och sand som fastnat i sportskor avsedda för utomhusbruk leder till onödigt slitage eller andra skador.
- * **Löpbandet är utrustat med en säkerhetsnyckel. Bandet stannar automatiskt om nyckeln inte är på sin plats i låset i mätarhållaren. Fäst säkerhetsnyckelns band vid kläderna, t ex kragen eller bröstfickan, så att nyckeln automatiskt dras ut ur låset och bandet stannar vid behov.**
- * Värm upp före träningspasset och avsluta med avslappningsövningar och muskelsträckningar för att undvika träningsvärk.
- * Redskapet rekommenderas inte för personer som väger över 110 kg.
- * Uppgifterna i denna bruksanvisning har givits i god tro och är så noggranna som möjligt. Vi vill dock påpeka att var och en som använder uppgifterna i denna bruksanvisning vid montering, användning eller service gör det på eget ansvar.

1. MONTERING

Kontrollera före monteringen, att förpackningen innehåller följande delar:



- A Mätare
 B Säkerhetsnyckel med clips (+ 1 reservnyckel)
 C Elsladd
 D Vänster handstöd
 E Skyddskåpa för handstödet faste
 F Höger handstöd med hållare för mätaren
 G Ram
 Monteringsstillbehör och verktygssats:
 H 2 x M8 x 80 mm sexkantsskruvar
 I 2 x brickor
 J 1 x vit plastplugg
 6 mm sexkantnyckel
 10/11 länknöckel

Kontakta försäljaren och ange modell (J 660), serienummer samt reservdelsnumret på den del som fattas. Reservdelsnumret framgår av förteckningen i slutet av denna bruksanvisning.

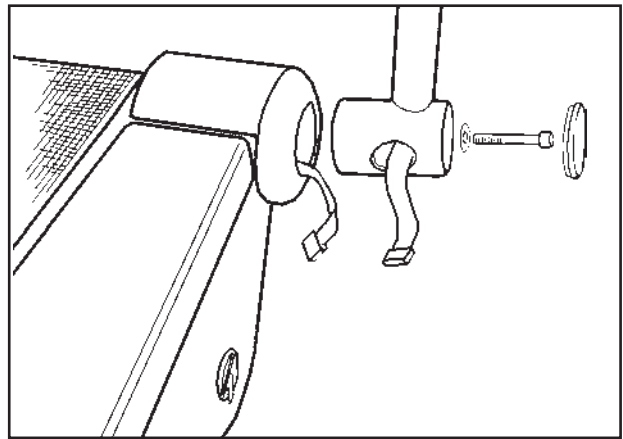
Efter att redskapet med alla tillhörande delar har tagits upp ur förpackningen, sker monteringen på följande sätt (benämningarna vänster, höger, fram och bak har definierats med utgångspunkt från synriktningen vid träningen):

1.1. MONTERING AV HANDSTÖD

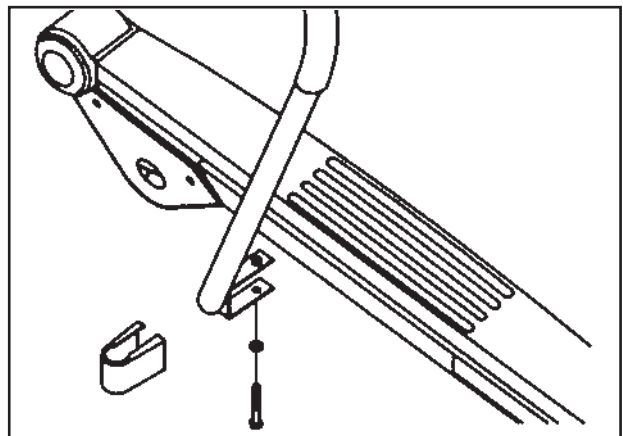
OBS! Spänn inte skruvarna innan båda handstöden är monterade.

Kasta bort silikatpåsen som är tejpad fast på den nedre änden av det högra handstödet. Påsen suger upp fukten under transport och upplagring.

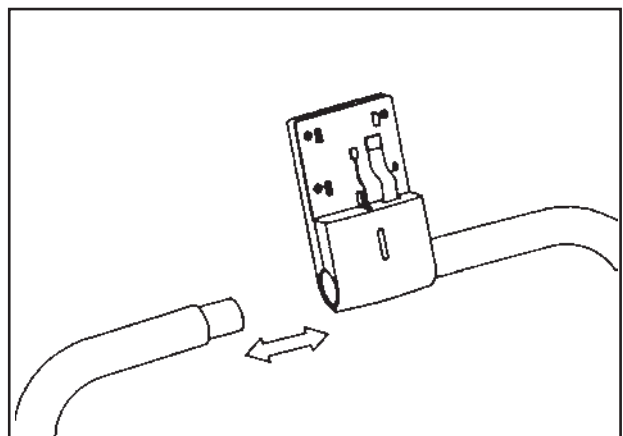
Dra ut den flata kabeln som finns innanför den högra sidokåpan. Placera det högra handstödet på högra sidan av framvalsem och skruva fast det vid ramen med en sexkantsskruv och en bricka. **OBS! Se till att den flata kabeln kommer ut mellan sidokåpan och handstödet och att kabeln inte skadas!** Tryck fast den vita plastpluggen på nedre änden av handstödet.



Montera fast den nedre änden av det vänstra handstödet vid skenan på sidan av ramen med en sexkantsskruv och en bricka. Vid behov luta redskapet åt ena sidan med hjälp av en annan person. Sätt handstödet skyddskåpa på sin plats genom att trycka fast den på den nedre änden av handstödet.



Skjut in den övre änden av det vänstra handstödet i mätarhållaren på det högra handstödet.



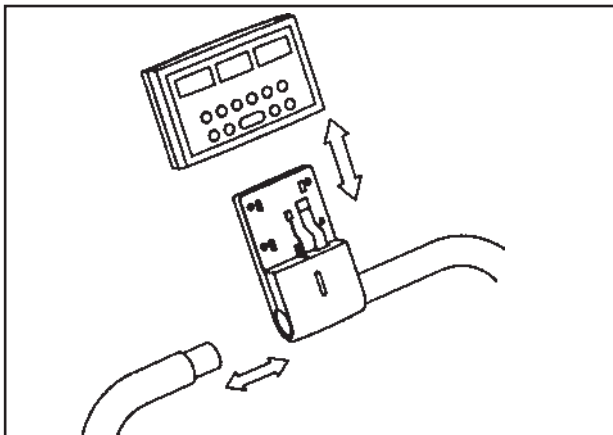
Tryck ändarna av handstöden mot varandra och dra åt fästskruvarna i botten av mätarhållaren.

Se till att den flata kabeln i handstödet inte kommer i kläm.

Dra åt fästskruvarna för båda handstöden.

1.2. MONTERING AV MÄTARE

Anslut kablarna från mätarhållaren (den flata kabeln och pulsmätningkabeln) till stickkontakterna i mätaren. För in kablarna i hållaren och skjut försiktigt mätaren på plats.

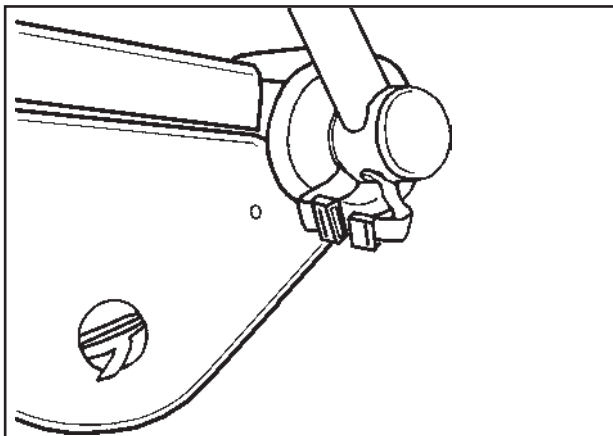


Se till att kablarna i handstödet inte kommer i kläm.

Riv till slut bort skyddsfolien från mätarens knappar.

1.3. ANSLUTNING AV MÄTARKABEL

Anslut den flata kabeln från det högra handstödet till den flata kabel som kommer ut från sidokåpan och skjut in dem i handstödsröret.

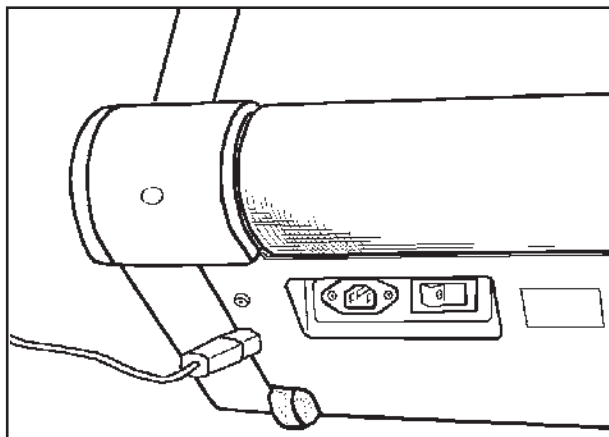


1.4. ANSLUTNING AV LÖPBANDET TILL NÄTET

Anslut nätkabelns kontakt till stickdosan som finns bredvid strömbrytaren i löpbandets framända.

Kontrollera att nätspänningen överensstämmer med den spänning som finns angiven på löpbandets dataskylt innan bandet ansluts till elnätet.

OBS! När löpbandet har monterats och är redo för användning är det viktigt att du först noga smörjer in det med teflonen som finns i paketet (se 4.3. SMÖRJNING AV BOTTENSKIVA).



2. ANVÄNDNING

Koppla på strömmen med strömbrytaren.

När strömmen kopplats på är mätaren på J 660 i funktionen "inställning av vikt" (se 2.5. INSTÄLLNING AV VIKT).

2.1. SÄKERHETSNYCKEL

Löpbandet är utrustat med en säkerhetsnyckel. Bandet stannar automatiskt om nyckeln inte är på sin plats i låset i mätarhållaren.

Fäst säkerhetsnyckelns band vid kläderna, t ex kragen eller bröstfickan och stick in nyckeln i låset.

OBS! Löpbandet och mätaren fungerar bara om säkerhetsnyckeln sitter i låset (om så inte är fallet visas texten "teth" i displayen).

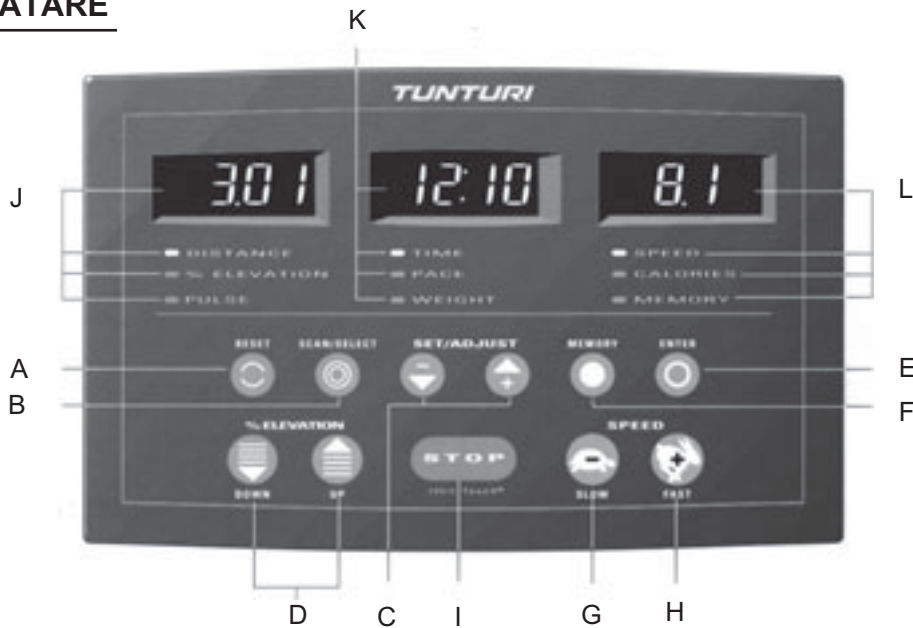
2.2. TRÄNING

Träning med J 660 är en utmärkt aerobisk motion. Grundidén är att motionen skall vara förhållandevis lätt, men räckta länge. **Du borde motionera minst tre gånger i veckan à 30 minuter. Detta ger dig en god baskondition.** För att du skall kunna upprätthålla baskonditionen bör du motionera minst ett par gånger i veckan, och den kan lätt förbättras genom att du ökar antalet träningspass.

Motion är alltid bra för den som vill gå ner i vikt, eftersom det är det enda sättet att öka kroppens energiförbrukning. Speciellt för personer som bantar lönar det sig därför att kombinera kalorifattig kost med regelbunden motion. Den som bantar bör motionera dagligen. Först cirka 30 minuter eller ännu kortare perioder per gång och sedan småningom längre perioder upp till en timme per dag. Det lönar sig att börja långsamt: en alltför hög belastning kan hos överviktiga personer belasta hjärtat och blodcirkulationen för mycket.

Effekten kan du kontrollera med hjälp av pulsen. Tack vare J 660:s pulsmätare kan du lätt följa med pulsfrekvensen under träningen och säkerställa att träningen är tillräckligt effektiv och att belastningen inte är alltför stor (se 2.13. PULSMÄTNING).

2.3. J 660 MÄTARE



2.3.1. KNAPPAR

- A RESET**
När löpbandet är i användning:
genom tryck på RESET nollställs tiden, distansen och energin.
När löpbandet står stilla:
genom tryck på RESET återgår mätaren till viktfunktionen. Du kan antingen mata in din egen vikt och trycka på ENTER eller godkänna normalvärdet och trycka på ENTER för att komma vidare.
- B SCAN/SELECT**
Automatiskt displayskifte eller val av önskad display.
- C PILKNAPPAR (SET/ADJUST)**
Med pilknapparna kan du ställa in vikten i kg eller lb. Detta värde behövs för beräkning av energiförbrukningen. Pilknapparna kan dessutom användas för inställning av användaroptionerna (se 2.4. ANVÄNDAROPTIONER).
- D PILKNAPPAR UP- OCH DOWN (% ELEVATION)**
Med UP-knappen kan du öka på lutningsvinkeln med 1 % intervaller. Bakänden av löpbandet sjunker och lutningen ökar.
Med DOWN-knappen kan du minska på lutningsvinkeln med 1 % intervaller. Bakänden av löpbandet stiger uppåt och lutningen minskar.
- E ENTER**
För godkännande av den inmatade vikten. Knappen används också för ANVÄNDAROPTIONERNA.
- F MEMORY**
Med MEMORY-knappen kan du spara och starta ett manuellt inställt träningsprogram eller något av de fem förinställda programmen.
- G SKÖLDPADDA (SPEED/SLOW)**
För stegvis minskning av bandhastigheten med 0.1 km/h intervaller (eller 0.1 mph).
- H HARE (SPEED/FAST)**
För stegvis höjning av bandhastigheten med 0.1 km/h intervaller (eller 0.1 mph).
- I STOP**
För att stanna löpbandet (tryck 1 gång). Träningsvärdena, den inställda hastigheten och lutningsvinkeln sparas i mätarens minne 1-5 minuter beroende på förprogrammeringen (se 2.4. ANVÄNDAROPTIONER). Inom denna tid kan du fortsätta träningen enligt de

förinställda värdena. Vid förnyat tryck på STOP eller efter att den förprogrammerade tiden förflutit, visar mätaren fortfarande träningsvärdena, men träningen kan inte längre fortsättas från dessa värden.

2.3.2. FUNKTIONER

Signallampan vid funktionstexterna anger vilken funktion är aktiverad.

DISTANCE (Distans)

Displayen anger distansen i kilometer (00.0-99.9) eller i mile.

% ELEVATION (Lutningsvinkel)

Displayen anger den inställda lutningsvinkeln i procent (0-10 %).

PULSE (Pulsfrekvens) - option

Displayen anger pulsfrekvensen (se 2.13. PULSMÄTNING).

TIME (Tid)

Displayen anger träningstiden i minuter och sekunder (00:00 - 99:59) med 1 sekunders intervaller.

PACE (Tid per kilometer eller mile)

Displayen anger den tid som det tar att löpa/gå en kilometer eller 1 mile. Värdet beräknas utgående från den inställda hastigheten.

WEIGHT (vikt)

Displayen anger den inställda vikten (max. 110 kg).

SPEED (Hastighet)

Displayen anger bandets hastighet i kilometer per timme (1.5 - 16.0 km/h) eller mile per timme (1 - 10 mph).

CALORIES (Energiförbrukning)

Displayen anger den uppskattade energiförbrukningen under träningspasset i kilokalorier (0-999 kcal). Energiförbrukningen beräknas utgående från vikten, tiden, hastigheten och lutningsvinkeln. Eftersom förmågan att producera energi varierar från människa till människa (den s.k. verkningsgraden), är kaloriindikeringen bara en uppskattning av den verkliga förbrukningen.

MEMORY (Minne)

Signallampan lyser när du använder programmet som du sparar i minnet eller något av de fem förprogrammerade programmen.

2.4. ANVÄNDAROPTIO- NER

Löpbandet är utrustat med följande ANVÄNDAROPTIO-
NER: metriska (km, km/h och kg) eller engelska (mile, mph
och lb) enheter, ljudsignal till/från, inställning av den tid som
du vill att träningsvärdena skall sparas i minnet. Inom denna
tid kan du efter ett avbrott fortsätta träningen utan att
träningsvärdena utraderas. Du kan även koppla minnes-
skyddet på eller av.

1. Välj funktionen "WEIGHT". Tryck därefter
samtidigt på STOP och SCAN/SELECT.
2. I displayen visas texten "EngL" (= engelska
enheter) eller "ISo" (= metriska enheter). Välj
önskade enheter med pilknapparna.
3. Tryck igen på SCAN/SELECT. I displayen visas
texten "Aud 1" (= ljudsignal till) eller "Aud 0" (=
ljudsignal från). Välj önskad funktion med
pilknapparna.
4. Tryck igen på SCAN/SELECT. I displayen visas
texten "to 1", "to 2", "to 3", "to 4" eller "to 5" (=
timeout = tidsspärr för utradering av
informationen i minnet). Välj önskad tid med
pilknapparna. Om du t ex väljer "to 4" kan
träningen fortsättas inom 4 minuter utan att de
värden som finns i minnet utraderas.
5. Tryck igen på SCAN/SELECT. I displayen visas
texten "PEnb", (minnet är inte skyddat) eller PdIS
(minnet är skyddat) Vid PdIS kan du inte spara
självgjorda program. Välj önskat alternativ med
pilknapparna.
6. Tryck till slut på ENTER. Mätaren återgår då till
viktfunktionen.

2.5. INSTÄLLNING AV VIKT

När strömmen kopplats på indikeras redskapstypen (tuntu-
ri J 660) och mätaren är i funktionen "Inställning av vikt":

1. Signallampan bredvid texten WEIGHT blinkar och
i displayen visas det värde som senast matats in.
2. Mata in din egen vikt i kg eller lb (se 2.4.
ANVÄNDAROPTIO-
NER).
3. Tryck till slut på ENTER.
4. Därefter tänds signallampan bredvid texten
SPEED och i displayen visas hastigheten "0.0".

2.6. BÖRJA TRÄNA

Fatta alltid tag i handstödet när du stiger på eller av löp-
bandet och alltid när du ändrar bandets hastighet mitt under
pågående träning. Hoppa aldrig av ett roterande löpband!

**Stå grenstående på löpbandets sidoplåtar. Stå inte på
själva bandet när du startar redskapet.**

2.7. VAL AV MANUELL FUNKTION ELLER FÖRPROGRAMMERAT PROGRAM

2.7.1. VAL AV MANUELL FUNKTION

Om du inte vill använda de förprogrammerade program-
men, tryck på HAREN (SPEED/FAST) för att starta löp-
bandet. Bandet börjar rotera med en hastighet på 1.5 km/h
(1.0 mph). Håll i handstöden och stig på bandet. Hög
hastigheten genom förnyat tryck på HAREN (SPEED/FAST)
tills du nått önskad hastighet. Tryck på SKÖLDPADDAN
(SPEED/SLOW) för att sänka hastigheten.

**OBS! Stig inte på löpbandet om hastigheten är högre än
1.5 km/h (1.0 mph).**

För ökning/minskning av lutningsvinkeln tryck på pil-
knapparna UP och DOWN. Vid tryck på UP sjunker
bakänden av bandet med 1 % intervaller och lutningen ökar.
Genom tryck på DOWN minskar lutningen.

2.7.2. VAL AV FÖRPROGRAMMERAT TRÄNINGSPROGRAM

Om du vill välja något av de förprogrammerade tränings-
programmen (självgjorda eller färdiga program), tryck på
MEMORY. Välj önskat programalternativ med pilknapparna
(SET/ADJUST). Tryck till slut på ENTER.

Välj därefter önskad effektnivå med pilknapparna (SET/
ADJUST): **IL 1 = nybörjare, IL 2 = genomsnittlig kondition,
IL 3 = kondition över genomsnittet, IL 4 = aktiva
motionärer och IL 5 = idrottsmän.** Tryck till slut på ENTER.

Tryck på HAREN (SPEED/FAST). Löpbandet börjar rotera.
Mätaren indikerar förändringar i hastigheten och lutningen
genom att avge en ljudsignal 15 sekunder före ändringen
sker.

2.8. SCAN-FUNKTION

Tryck på SCAN/SELECT för automatiskt display-skifte med
3 sekunders intervaller. Därefter visas de olika tränings-
värdena automatiskt efter varandra. **OBS!** Mätaren kan mäta
pulsen bara om elektrodbrösten sitter kring bröstet (se 2.13.
PULSMÄTNING). Genom förnyat tryck på SCAN/SELECT
kopplas funktionen bort. Mätaren fortsätter därefter att visa
det värde som sist fanns i displayen.

2.9. AVBROTT AV TRÄNINGSPASS

Om du vill avbryta träningen för en kort stund, tryck en gång
på STOP. Löpbandet stannar. Träningsvärdena, den senast
inställda hastigheten och lutningsvinkeln sparas i minnet (se
2.4. ANVÄNDAROPTIO-
NER) 1 - 5 minuter beroende på
förprogrammeringen. Inom denna tid kan du fortsätta
träningen enligt de gamla värdena. Tryck på HAREN när du
vill fortsätta träningen. Träningen fortsätter nu med samma
hastighet som före avbrottet. Detsamma gäller tiden,
distansen och energiförbrukningen.

När den förprogrammerade minnestiden har gått, fortsätter displayen visserligen att visa de ackumulerade värden, men träningen kan inte längre fortsättas från dessa värden. För nollställning av värdena, tryck på RESET eller ENTER.

OBS! Lämna säkerhetsnyckeln i låset under avbrottet. Annars kan träningen efter avbrotten inte fortsättas från de gällande värdena.

2.10. AVSLUTNING AV TRÄNINGSPASS

Löbandet kan stoppas på olika sätt:

1. Genom tryck på STOP.
2. Genom att säkerhetsnyckeln dras ut.
3. Genom att träningshastigheten ställs in på 0.0 km/h eller 0.0 mph med SKÖLDPADDAN (SPEED SLOW).
4. Löbandet stannar när det förprogrammerade träningsprogrammet är klart.

KOM IHÅG!

Avsluta varje träningspass med avslappningsövningar (jogging eller gång) och muskelsträckningar för att undvika träningsvärk.

Koppla bort strömmen med strömbrytaren i löbandets framända.

Tag alltid bort säkerhetsnyckeln när du avslutar din träning.

Drag ut nätkabeln ur vägguttaget och stickdosan i löbandet. Förvara kabeln på ett säkert ställe utom räckhåll för barn.

Torka vid behov bort svett med en fuktig duk. Använd inga lösningsmedel!

2.11. FÖRPROGRAMMERADE TRÄNINGSPROGRAM

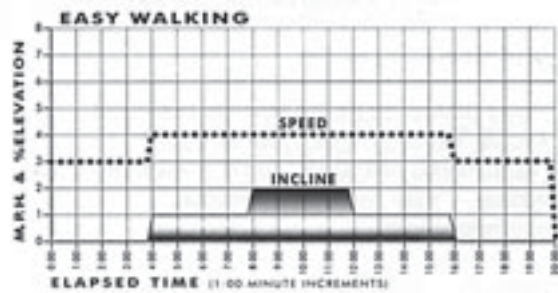
Löbandet J 660 har som standard fem olika programalternativ i minnet. Du kan också själv skapa ett individuellt program och spara det i minnet (se 2.12. SPARANDE AV PROGRAM OCH START AV FÖRPROGRAMMERAT PROGRAM).

De förprogrammerade programmen har fem olika effektnivåer. Det enda undantaget är LÄTT GÅNG, som bara har tre nivåer.

Du kan också ändra hastigheten och/eller lutningen under ett förprogrammerat program allt efter din egen kondition.

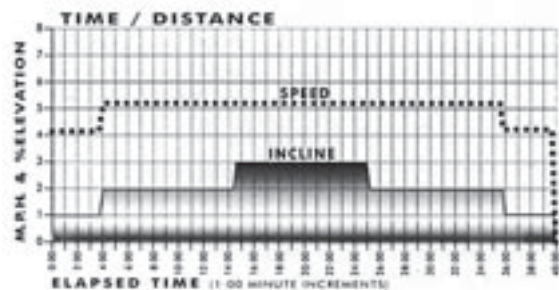
TRÄNINGSPROGRAM 1: LÄTT GÅNG

Detta träningsprogram lämpar sig för uppvärmning och avslappning. Hastigheten är relativt låg under programmet och lutningen liten. Programmet kan utföras på tre olika effektnivåer, av vilka den första räcker 15, den andra 20 och den tredje 25 minuter.



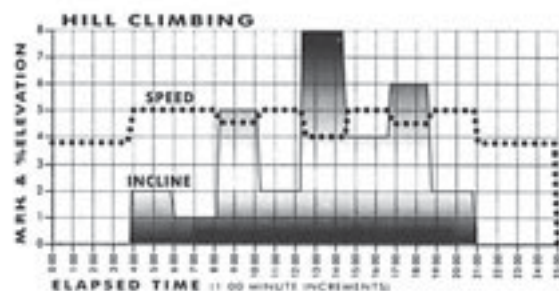
TRÄNINGSPROGRAM 2: KONDITIONSPROGRAM

Detta träningsprogram förbättrar hjärt- och blodcirkulationsfunktionerna och kroppens muskelkondition. Programmet hjälper dig att upprätthålla din nuvarande kondition. Programmet räcker 20-40 minuter beroende på effektnivån.



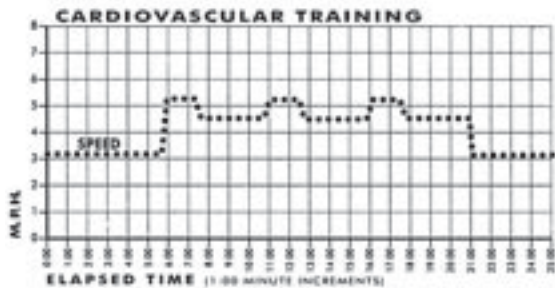
TRÄNINGSPROGRAM 3: BACKKLÄTTRING

Under detta träningsprogram är hastigheten relativt konstant, medan lutningen varierar starkt. Programmet stärker hjärtat och kroppens syreupptagningsförmåga. Det räcker 15-35 minuter beroende på effektnivån.



TRÄNINGSPROGRAM 4: KONDITIONSFÖRBÄTTRING

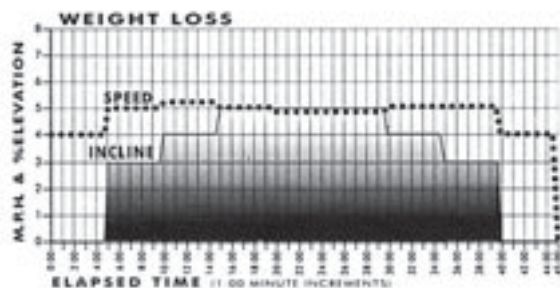
Detta träningsprogram baserar sig på intervallträning. Under träningsprogrammet höjs pulsen turvis upp till 85 procent av den maximala pulsnivån och får sedan återgå till normal nivå. Programmet förbättrar den allmänna konditionen och uthålligheten. Det räcker 15-35 minuter beroende på effektnivån.



TRÄNINGSPROGRAM 5: VIKTMINSKNING

Detta träningsprogram är avsett för personer som vill gå ned i vikt eller behålla sin vikt på en viss nivå. Nybörjare bör undvika allför stor belastning. Därför rekommenderar vi att du inleder träningen på den lägsta effektnivån och höjer den först efter flera veckors regelbunden träning, när kroppen blivit van vid den nya rytmen och ämnesomsättningen blivit snabbare. Programmet räcker 25-45 minuter beroende på effektnivån.

För att du skall gå ned i vikt, måste kroppen förbruka mer energi än den tillförs ny. I början kan viktnedgången vara långsam, eftersom kroppen binder vätska vid förbränning av fett. Överloppsvätskan försvinner dock i form av svett och urin när ämnesomsättningen blir snabbare och du vänjer dig vid den nya rytmen. Glöm inte när du står på vågen, att muskler väger mer än fett, men att de har en mindre volym.



2.12. SPARANDE AV PROGRAM OCH START AV FÖRPROGRAMMERAT PROGRAM

Vid behov kan du efter avslutat träningspass spara ett träningsprogram i minnet.

1. Efter att du matat in uppgifterna om kroppsvikten och godkänt detta med ENTER, tryck på MEMORY.
2. Välj önskat program (Pro 1, Pro 2, Pro 3 etc.) med pilknapparna (SET/ADJUST). Om du redan sparar ett självgjort träningsprogram, visas först texten USr 1 i displayen. Godkänn programmet med ENTER.

3. Välj därefter effektnivån (IL 1, IL 2, IL 3 etc.) med pilknapparna (SET/ADJUST) och tryck på ENTER.
4. Börja träna. Hastigheten och lutningsvinkeln kan vid behov ändras under träningspasset.
5. Efter avslutat program eller avslutat träningspass, tryck på STOP (tryck 2 gånger på STOP om du vill avbryta träningspasset medan programmet pågår).
6. I displayen visas texten "Save no". För sparande av ett nytt eller modifierat träningsprogram, tryck på en av de båda pilknapparna (SET/ADJUST) drückten. Därefter visas texten "Save yes" i displayen. Tryck till slut på ENTER.
7. Träningsprogrammet har nu sparats i minnet.

2.13. PULSMÄTNING

J 660:s mätare är utrustad med en inbyggd pulsmottagare, som kan användas tillsammans med nästan alla trådlösa POLAR-pulssändare (extrautrustning för J 660).

En trådlös pulsmätning, där elektroderna i en sändare på bröstet överför hjärtats slag med hjälp av ett elektromagnetiskt fält till mätaren, har visat sig vara det tillförlitligaste sättet att mäta pulsen.

För mer information om trådlös pulsmätning, kontakta försäljaren.

2.13.1. TRÅDLÖS PULSMÄTNING

OBS! HAR DU EN ELEKTRONISK PACEMAKER, KONSULTERA DIN LÄKARE INNAN DU BÖRJAR ANVÄNDA PULSSÄNDAREN!

För trådlös mätning av pulsen under träningen, **skall du noggrant fukta de räfflade elektroderna i elektrodbältet med vatten eller saliv.**

Om du använder pulssändaren ovanpå skjortan, skall skjortan fuktas under elektroderna.

Spänn det elastiska bältet med sändaren kring bröstet under bröstmusklerna, så att elektroderna hela tiden har hudkontakt under träningen. Bältet får dock inte vara så spänt att andningen försvåras.

OBS! Om elektrodytorna inte är fuktiga, visar mätaren inget pulsvärde. Elektroderna skall då fuktas på nytt.

Beakta att elektroderna måste värmas upp till kroppstemperatur för att pulsmätningen skall vara tillförlitlig.

Pulsvärdet från pulssändaren överförs automatiskt till mätaren upp till ett avstånd på 1 m. Pulsvärdet visas i displayen, när signallampen vid texten PULSE tänds. Lampan blinkar i takt med pulsslagen.

OBS! Om det finns flera apparater för trådlös pulsmätning bredvid varandra, skall avståndet mellan dem vara minst 1,5 m.

Om det bara finns en mottagare, men flera sändare, får endast en person med sändare befinna sig inom räckvidd för mottagaren under mätningen.

När du tar av dig elektrodväskan, kopplas sändaren bort. För undvikande av funktionsstörningarna är det viktigt att sändaren omsorgsfullt torkas av efter varje användning.

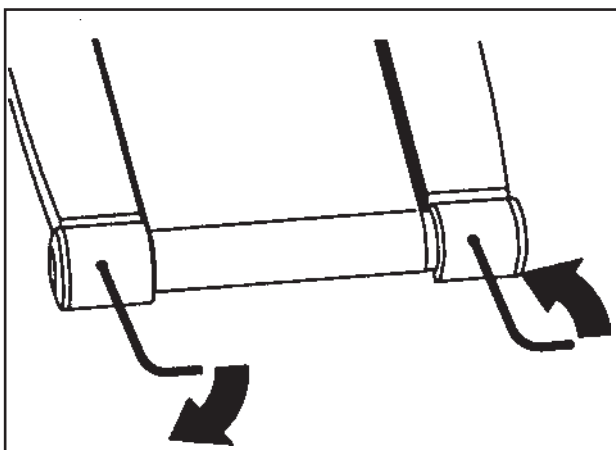
3. INSTÄLLNINGAR

Kontrollera bandets funktion under ditt träningspass och utför de nedan beskrivna inställningsåtgärderna omedelbart när du märker att det behövs.

3.1. CENTRERING AV LÖPBAND

Under träningen skall bandet ligga mitt på valsarna och löpa så rakt som möjligt. Om löpbandet placerats på ett plant underlag och har den rätta spänningen, behövs vanligtvis ingen centrering. På grund av olika löpstilar (t ex ojämn viktfördelning) kan bandet dock småningom förskjutas mot endera sidan. Gör då så här:

1. Koppla bort strömmen med strömbrytaren i löpbandets framända och ställ in hastigheten på ca 5 km/h (3 mph).
2. Om löpbandet drar åt vänster, vrid den vänstra justeringsbulten i den bakre kanten av löpbandet 1/8 varv medsols och den högra justeringsbulten 1/8 varv motsols.



3. Om löpbandet drar åt höger, vrid den högra justeringsbulten 1/8 varv medsols och den vänstra justeringsbulten 1/8 varv motsols.

OBS! Redan 1/8 varv påverkar bandets riktning. Därför skall justeringsbultarna vridas litet åt gången.

4. Om löpbandet hålls i mitten är inställningen riktig, men om bandet alltjämt dras åt sidan skall åtgärden upprepas tills bandet löper rakt.

Om bandet får löpa snett under en längre tid, så att endera sidan skavar mot redskapets kant, kan driftstörningar förekomma. Garantin täcker inga fel eller skador som beror på att bandet inte centererats.

3.2. JUSTERING AV LÖPBANDETS SPÄNNING

Löpbandet måste spännas, om det börjar slira vid normal drift.

OBS! Spänningen skall dock vara så liten som möjligt!

Spänningen justeras med hjälp av samma bultar som vid centreringen.

1. Koppla bort strömmen med strömbrytaren i löpbandets framända och ställ in hastigheten på ca 5 km/h (3 mph).
 2. Vrid båda justeringsbultarna medsols lika mycket, ca 1/8 varv.
 3. Försök få bandet att gå långsammare genom att bromsa med fötterna (som i en utförsbacke).
- OBS!** Mycket kraftig bromsning får bandet att slira.
4. Om bandet fortfarande slirar, vrid ytterligare 1/8 varv och upprepa försöket.

4. SERVICE

Kontrollera emellanåt att skruvarna och muttrarna är åtdragna. Drag inte åt för hårt.

4.1. RENGÖRING OCH KONTROLL AV LÖPBAND

Koppla bort strömmen och drag ut nätkabeln ur vägguttaget samt stickproppen i löpbandet.

Lägg löpbandet på sidan för dammsugning av botten. Rengör insidan av löpbandet med en strävårig borste. Använd inga lösningsmedel. Roter bandet för hand så att du kan rengöra hela insidan. Lossa vid behov på justeringsbultarna. Lyft till slut upp bandet i upprätt position.

Om löpbandets kanter är slitna, är det speciellt viktigt att bandet löper rakt (se 3.1. CENTRERING AV LÖPBAND). Kontakta försäljaren om kanterna är fransiga.

4.2. RENGÖRING AV LÖPBAND

Torka av handstöden och mätaren med en strävårig borste. Använd inga lösningsmedel!

Dammsug regelbundet de synliga delarna av löpbandets ram (bl.a. bandet, bottenskivan, sidoplatåerna) med ett litet munstycke. Lägg löpbandet på sidan för dammsugning av botten.

Rengör valsen en gång om året så här:

Lossa justeringsbultarna och rengör valsarna med en stråvhårig borste. Dra åt justeringsbultarna. Kontrollera samtidigt att bandet löper rakt och är tillräckligt spänt. (se 3.1. CENTERING AV LÖPBAND och 3.2. JUSTERING AV LÖPBANDETS SPÄNNING).

4.3. SMÖRJNING AV LÖPBAND

Smörjningen är den allra viktigaste av löpbandets serviceåtgärder. Smörjning är absolut nödvändigt alltid när du märker att löpbandets friktion tydligt har ökat eller motorn upphettas. Smörjningsintervallen får under inga omständigheter överstiga 200 kilometer; vi rekommenderar att löpbandet smörjes minst en gång per månad. Under de 200 första km, måste löpbandet smörjas var 50:e km. Otillräcklig smörjning leder till förslitningar och skador på löpbandet, bottenskivan och motorn.

OBS! Kom ihåg att smörja löpbandet noga enligt nedanstående smörjningsanvisning innan den tas i bruk!

OBS! Om löpmattan inte används under en period på 3 veckor, bör den smörjas utförligt enligt följande instruktioner.

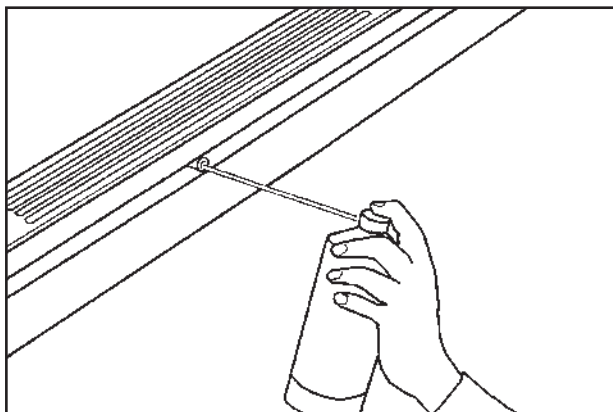
Behovet av smörjning är i hög grad beroende av användarens löpstil och vikt: hög vikt och långsam löphastighet sliter speciellt hårt på apparaten och kräver att man fäster extra uppmärksamhet vid smörjningen. Använd endast den bifogade teflonen som smörjningsmedel för ditt löpband. Kontakta försäljaren när du behöver mera teflon.

OBS! Det är absolut förbjudet att smörja apparaten med silikon!

Applicera teflonet genom att använda den tryckluftsfyllda burken du finner tillsammans med dessa instruktioner. Följ dessa instruktioner samt säkerhets-instruktionerna på teflonflaskan noggrant.

1. Låt löpbandet gå med låg hastighet och spraya teflon i smörjpipen undertill. Pipen är markerad med en dekal.
2. När teflon appliceras första gången, skall spraying med den tryckluftsfyllda burken pågå ca 20 sekunder. Därefter är det tillräckligt att spraya 10 sekunder.
3. Teflon droppar genom hålen i smörjpipen till löpbandets centrum; löpmattan är klar för användning omgående.

Efter varje smörjning av löpbandet, kontrollera att minst 20 cm av mattans undersida blir behandlad med teflon längs hela vägen. Vid behov, spraya teflon direkt på löpbandets undersida.



4.4. FELKODER

För eventuella fel i elektroniken är löpbandet utrustat med en inbyggd felsökningsmekanism, som gör det möjligt att snabbt hitta och åtgärda felen. Mekanismen är naturligtvis inte heltäckande, men gör det lättare att hitta vanliga fel som beror på långvarig användning. I mätarens display visas då någon av de följande felkoder:

FELKOD	ORSAK
E1	Hastighetssensorn erhåller ingen signal
E4	Fel i lyftmekanismen eller sensorerna
E7	Programfel
E8	Löpbandets hastighet högre än den inställda hastigheten

Om en felkod visas i mäterdisplayen eller om apparaten uppvisar andra funktionsstörningar, gör följande:

1. Stäng av strömbrytaren en minut och sätt sedan på den igen.
2. Kontrollera att säkerhetsnyckeln sitter i ordentligt.
3. Kontrollera att elkabeln är riktigt ikopplad.
4. Se till att löpbandet är ordentligt smort (se 4.3. SMÖRJNING AV LÖPBANDET).
5. Om felkoden inte försvinner efter ovan angivna åtgärder, tag kontakt med Din TUNTURI-handlare. Uppge alltid felkod och serienummer.

tEtH Säkerhetsnyckeln sitter inte i låset

Trots kontinuerlig kvalitetskontroll kan fel eller funktionsstörningar som beror på någon enskild komponent förekomma. Därför är det onödigt att hela redskapet skickas på reparation, eftersom det för det mesta räcker med att beträffande komponent byts.

4.5. KUMULERADE VÄRDEN

Det totala antalet drifttimmar och den totala distansen sparas automatiskt i mätarens minne. Om du vill kontrollera dessa värden - t ex för service - gör så här:

1. När signallampan vid texten WEIGHT tänds, tryck samtidigt på STOP och SCAN/SELECT. Mätaren är nu i funktionen ANVÄNDAROPTIONER.
2. Tryck igen på STOP och samtidigt först på SCAN/SELECT och sedan på ENTER.
3. I displayen visas nu turvis den totala drifttiden, den totala distansen och löpbandets programversion.
4. Tryck till slut 2 x ENTER.

5. TRANSPORT OCH FÖRVARING

Löpbandet J 660 är lätt att förflytta tack vare de inbyggda transportrullarna. Drag ut nätkabeln ur vägguttaget och stickdosan i löpbandet före förflyttningen. Lyft upp den bakre änden av redskapet och skjut redskapet framför dig på rullarna.

OBS! Efter transport eller förflyttning måste bandet vid behov centreras (se 3.1. CENTRERING AV LÖPBAND).

För undvikande av funktionsstörningar skall redskapet förvaras på ett torrt och dammfritt ställe som har en jämn temperatur. Drag ur stickkontakten efter varje användning.

OBS! Om löpmattan inte används under en period på 3 veckor, bör den smörjas utförligt enligt instruktioner.

6. TEKNISKA DATA

Längd	150 cm
Bredd	90 cm
Höjd	125 cm
Vikt	71 kg
Löpyta	135 x 44 cm
Bandhastighet	1.5-16 km/h (1-10 mph)
Lutning	0-10 %
Mätare	Distans Lutning Puls (option) Tid Tid per kilometer/mile Hastighet Energiförbrukning
	LED-display
	5 förprogrammerade träningsprogram
	1 eget program

Motor	1,5 HK
Drivmekanism	Remdrift
Ram	Svetsad stålkonstruktion, pulverlackerad
Max. användarvikt	110 kg

TUNTURIs redskap har konstruerats för att motsvara EU:s EMC-direktiv (elektromagnetisk komformitet) och är försedda med CE-konformitetsmärkning.

TUNTURI-löpbanden fyller precisions- och skydds-normerna DIN 32933-1+3.

Rätten till ändringar förbehålls.

HUOMAUTUKSET JA VAROITUKSET

PEREHDY TÄHÄN OHJEKIRJAAN HUOLELLISESTI ENNEN KUIN ASENNAT, KÄYTÄT TAI HUOLLAT TUOTETTA. TÄMÄN OHJEKIRJAN OHJEITA TULEE NOUDATTAA.

LAITE ON TARKOITETTU KOTIKÄYTTÖÖN! TUNTURIPYÖRÄ OY:N MYÖNTÄMÄ TAKUU KATTAI VAIN KOTIKÄYTTÖSSÄ ILMENNEET VIAT TAI PUUTTEET. HUOMAA, ETTÄ TAKUU EI KORVAA MITÄÄN VAHINKOJA, JOTKA OVAT AIHEUTUNEET TÄSSÄ OHJEKIRJASSA MAINITTUJEN SÄÄTÖ- JA HUOLTO-OHJEIDEN LAIMINLYÖNNEISTÄ!

Ennen kuin kytket juoksumaton virtalähteeseen tarkista laitteen tyyppikilvestä (juoksumaton etureunassa, verkkokytkimen vieressä) jännitteen sopivuus. Laite toimii joko 230 V tai 115 V jännitteellä. Huomioi, että laitteen virran kulutus on maksimissaan 10 A/20 A. Laitteen saa kytkeä vain maadoitettuun pistorasiaan. Älä käytä jatkojohtoja juoksumaton kytkennässä virtalähteeseen.

Virtalähteet, joiden jännitevaihtelu on suurempi kuin 5% voivat johtaa juoksumaton virheelliseen toimintaan tai vahingoittaa juoksumaton elektroniikkaa. Mikäli laite kytketään tässä ohjekirjassa annettujen ohjeiden vastaisesti, laitteen takuu raukeaa.

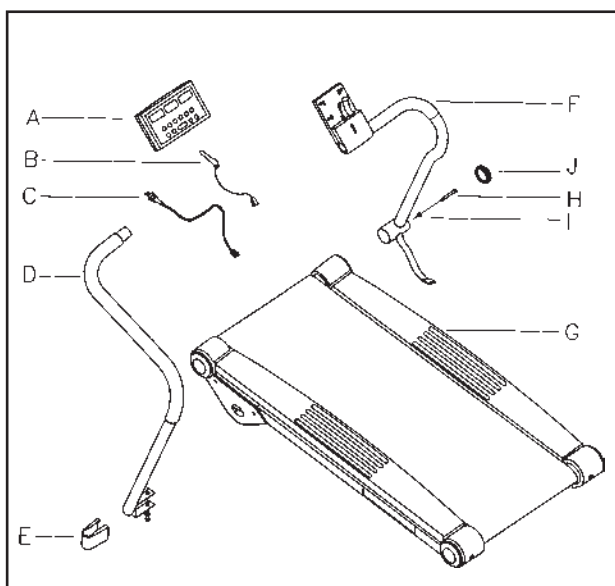
- * Varmista ennen harjoittelun aloittamista, että laite on kaikin puolin kunnossa. Älä koskaan käytä viallista laitetta.
- * **Älä yritä tehdä laitteelle muita kuin tässä ohjekirjassa kuvattuja säätöjä tai huoltotoimenpiteitä. Annettuja huolto-ohjeita on noudatettava.**
- * Älä käytä laitetta ilman että kaikki kateet ja suojukset ovat omilla paikoillaan.
- * Asennus- ja huoltotöitä tehtäessä verkkokytkimen on oltava pois päältä ja verkkopistokkeen irti pistorasiasta.
- * Irrota verkkopistoke jokaisen käyttökerran jälkeen.
- * Älä siirrä laitetta koskaan verkkojohdosta vetämällä.
- * Käytä juoksumattoa vain sisätiloissa.
- * Sijoita juoksumatto mahdollisimman tasaiselle alustalle. Valitse laitteen sijoituspaikka siten, että laitteen eteen ja sivuille jää vähintään 60 cm ja taakse 120 cm vapaata tilaa.
- * Vanhempien tai muiden lapsista vastuussa olevien tulee ottaa huomioon, että lapsen luonnollinen leikkimistarve ja kokeilunhalu saattavat johtaa tilanteisiin tai käyttäytymiseen, johon laitetta ei ole suunniteltu. Mikäli lasten annetaan käyttää laitetta, vanhempien tai muiden vastuullisten tulee ottaa huomioon lasten sekä henkinen että fyysinen kehitys ja ennen kaikkea luonne. Lapsia tulee valvoa ja opastaa juoksumaton oikeassa käytössä. Laite ei ole missään tapauksessa tarkoitettu leikkikaluksi.
- * Laitteen verkkojohto on varustettu maadoitetuilla liittimellä ja pistokkeella. Mahdollisia muutoksia pistorasiaan tai verkkojohton pistokkeisiin saa tehdä vain henkilö, joka on perehtynyt sähkömekaanisten laitteiden huoltotöihin ja hänellä on ko. maan (tai vastaavan) lakien edellyttämä lupa suorittaa huolto- ja korjaustöitä.
- * Silikonin käyttö on ehdottomasti kiellettyä pohjalevyn voiteluun.
- * Ennen laitteen käyttöä tutustu säätöihin, näyttöihin ja näppäimiin.

MUISTA MYÖS ...

- * **Ennen harjoittelun aloittamista käy varmistuttamassa terveydentilasi lääkärillä.**
- * Jos harjoittelun aikana tunnet pahoinvointia, huimausta tai muita epänormaaleja oireita, keskeytä harjoittelu välittömästi ja ota yhteys lääkäriin.
- * Vain yksi henkilö kerrallaan saa harjoitella laitteella.
- * Ota tukea käsituesta aina kun nousematolle tai siltä pois ja aina kun vaihdat maton nopeutta kesken juoksun. Liikkuvalta matolta ei saa hypätä!
- * Pidä kätesi kaukana liikkuvasta matosta. Pidä laitteen alusta aina tyhjänä äläkä työnnä sinne käsiäsi tai jalkojasi tai mitään esineitä.
- * Käytä harjoittellessasi sopivaa vaatetusta ja asianmukaisia jalkineita. Varmista, että kengännauhasi ovat harjoittellessa aina kunnolla solmitut. Mikäli mahdollista käytä vain sisäkäyttöön tarkoitettuja urheilujalkineita. Ulkojalkineisiin tarttuneet pienet kivet, hiekka ja sora saattavat aiheuttaa juoksumaton tarpeetonta kulumista tai muuta vahinkoa.
- * **Juoksumatto on varustettu turva-avaimella. Matto pysähtyy välittömästi kun turva-avain irtoaa paikaltaan juoksumaton mittarin alareunasta. Muista aina kiinnittää turva-avaimen naru pidikkeen avulla vaatetukseesi, esim. kaulukseen tai rintapieleen, jotta turva-avain irtoaa paikaltaan ja matto pysähtyy tarvittaessa.**
- * Estääksesi lihasten venähtämisen tai kipeytymisen aloita ja pääty jokainen harjoituskerta verryttelyllä (hidasta hölkkää tai kävelyä). Muista myös venytellä.
- * Laitetta ei suositella yli 110 kg painaville henkilöille.
- * Tässä ohjekirjassa annettut tiedot on laadittu mahdollisimman tarkasti. Kuitenkin jokainen, joka käyttää tässä ohjekirjassa annettua tietoa laitetta asentaessaan, käyttäessään tai huoltaessaan tekee sen täysin omalla vastuullaan.

1. ASENNUS

Varmista, että ostamasi juoksumatto sisältää seuraavat osat:



- A Mittari
 B Turva-avain pidikkeeseen (+ 1 kpl vara-avain)
 C Verkkojohto
 D Vasen käsituki
 E Käsituen suojakotelo
 F Oikea käsituki, johon on kiinnitetty mittaripidike
 G Runko
 Asennustarvikepussi, jossa on seuraavat osat:
 H 2 kpl M8 x 80 mm kuusiokoloruuvi
 I 2 kpl aluslaattoja
 J 1 kpl valkoinen koristemuovitulppa
 6 mm kuusioavain
 10/11 kiintoavain

Jos huomaat laitteestasi puuttuvan jonkin osan, ota yhteys laitteen myyjään ja ilmoita laitteen malli (J 660), sarjanumero sekä puuttuvan osan varaosanumero (ohjekirjan lopussa olevasta varaosalistasta).

Kun laite kaikkine osineen on purettu pakkauksesta, se kootaan toimintakuntoon seuraavasti (ohjeessa esiintyvät nimetykset oikea, vasen, etu ja taka on määritelty harjoitus-asennosta katsottuna):

1.1. KÄSITUKIEN ASENNUS

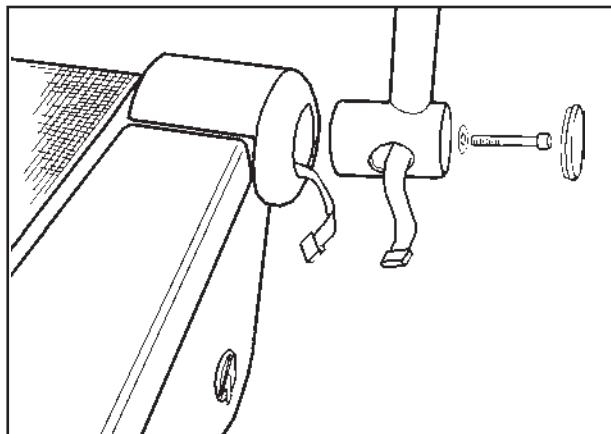
HUOM! Asentaessasi sekä oikeata että vasenta käsitukea, kiristä käsitukien kiinnitysruuvit vasta kun molemmat käsituet on kokonaisuudessaan asennettu paikoilleen.

Irrota oikeanpuolimmaisen käsitukiputken alapäähän teipattu siikaattipussi, joka tarkoitus on imeä kosteutta kuljetuksen ja varastoinnin aikana. Hävitä pussi heittämällä se roskiin.

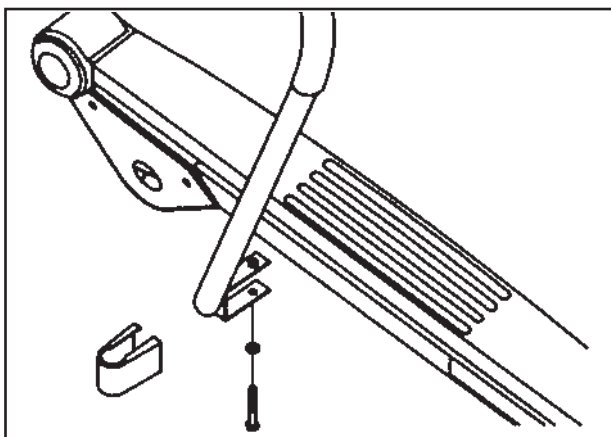
Vedä oikeanpuolimmaisen sivukatteen sisällä oleva nauhakaapeli ulos. Aseta oikeanpuolimmainen käsitukiputki paikalleen etutelan oikealle puolelle ja kiinnitä se huolellisesti kuusiokoloruuvien ja aluslaatan avulla.

HUOM! Nauhakaapelin tulee kulkea sivukatteen ja käsitukiputken välistä. Varo ettei nauhakaapeli vahingoitu!

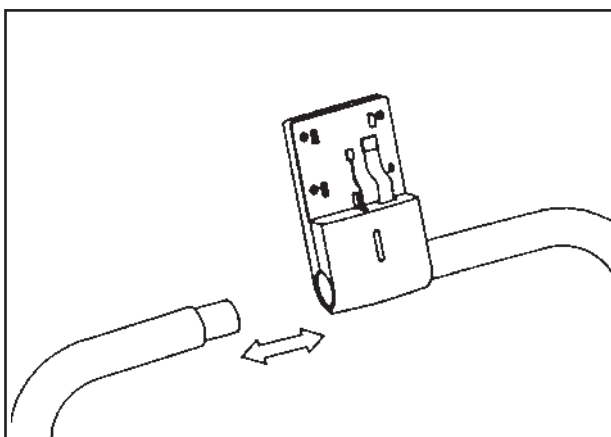
Paina kiinnityksen jälkeen koristemuovitulppa käsitukiputken päähän.



Kiinnitä vasemman käsitukiputken alapää rungon sivukiskoon kuusiokoloruuvien ja laatan avulla. Tarvittaessa kallista laite kyljelleen toisen henkilön avustamana. Asenna käsitukiputken suojakotelo paikalleen painamalla se käsituen alapään päälle.



Työnnä vasemmanpuoleisen käsitukiputken yläpää oikean käsituen päässä olevan mittaripidikkeen sisään.



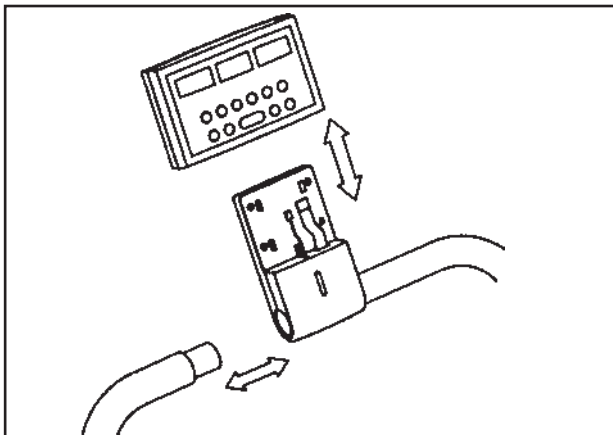
Kun vasemman ja oikean käsitukiputken päät koskettavat toisiaan, kiristä mittaripidikkeen pohjaan asennetut ristikan-taruuvit varmistaen samalla, että käsitukiputket pysyvät yhdessä.

Varo vahingoittamasta käsitukiputken sisäpuolella kulkevaa nauhakaapelia yhdistäessäsi käsitukia ja kiristäessäsi mittaripidikkeen ruuveja.

Kiristä lopuksi molempien käsitukien kiinnitysruuvit.

1.2. MITTARIN ASENNUS

Liitä mittaripidikkeen sisältä tulevat nauhakaapeli ja pulssi-johdo mittarin takapuolella oleviin liittimiin ja työnnä johdot mittaripidikkeen sisälle. Työnnä mittari varovasti paikalleen mittaripidikkeeseen.

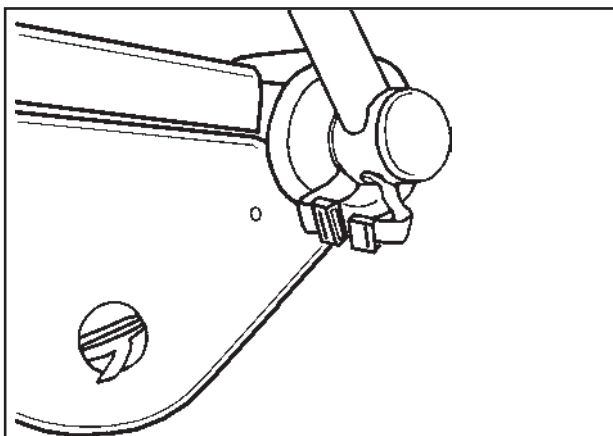


Varo, etteivät nauhakaapeli ja johdo jää puristuksiin.

Poista suojakalvo mittarin näppäimistön päältä.

1.3. MITTARIKAAPELIN YHDISTÄMINEN

Liitä oikeanpuolimmaisen käsitukiputken sisältä tuleva nauhakaapeli juoksumaton oikeasta sivukatteesta tulevaan nauhakaapeliin. Työnnä yhdistetty nauhakaapeli käsitukiputken sisään, jottei kaapeli vahingoittuisi laitetta käytettäessä.

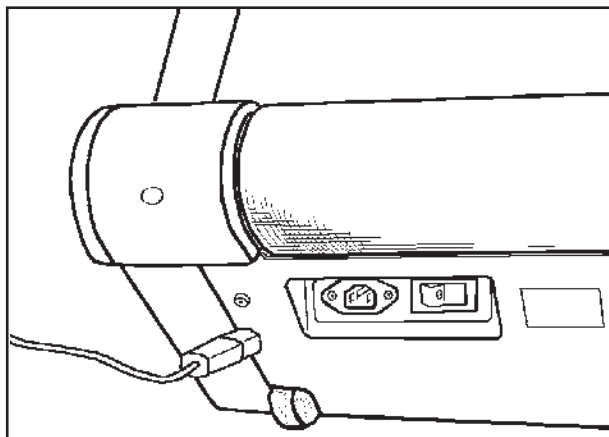


1.4. JUOKSUMATON LIITTÄMINEN VIRTALÄHTEESEEN

Kiinnitä verkkojohdon liitin juoksumaton oikeassa etureunassa, verkkokytkimen vieressä olevaan pistokkeeseen.

Ennen kuin kytket juoksumaton virtalähteeseen tarkista laitteen tyyppikilvestä (juoksumaton etureunassa, verkkokytkimen vieressä) jännitteen sopivuus.

HUOM! Käyttövalmiiksi asennettu juoksumatto on ennen käyttöönottoa ehdottomasti voideltava huolellisesti pakkauksessa olevalla teflonilla (ks. 4.3. LAITTEEN HUOLTOVOITELU).



2. KÄYTTÖ

Kytke virta päälle juoksumaton etureunassa olevasta virtakytkimestä.

Kun virta kytketään päälle, mittari tarkistaa aina ensimmäiseksi LED-näytön toiminnan. Tämän jälkeen näyttöön ilmestyy mittaritunnus "tunturi J 660". Lopuksi mittari siirtyy "käyttäjätasoin asetukset"-toimintoon (ks. 2.5. KÄYTTÄJÄTASOIN ASETUS).

2.1. TURVA-AVAIMEN KÄYTTÖ

Juoksumatto on varustettu turva-avaimella. Matto pysähtyy välittömästi kun turva-avain irtoaa paikaltaan juoksumaton mittarin alareunasta.

Kiinnitä turva-avaimen naru pidikkeen avulla vaatetukseesi, esim. kaulukseen tai rintapieleen, ja työnnä turva-avain mittarin alareunassa olevaan loveen.

HUOM! Juoksumatto ja mittari toimivat vain, mikäli turva-avain on asetettu kunnolla paikalleen (mittarissa teksti "teth").

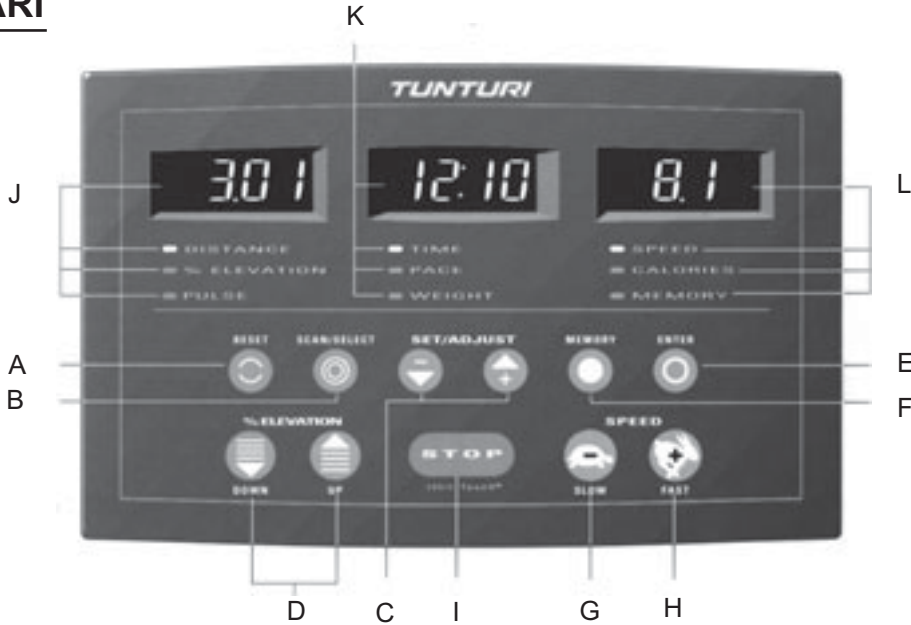
2.2. HARJOITTELU

Harjoittelu J 660:lla on erinomaista aerobista liikuntaa, jonka perusideana on, että liikunta on sopivan kevyttä mutta pitkäkestoista. **Liikkua pitäisi vähintään kolme kertaa 30 minuuttia viikossa. Näin saavutetaan peruskunta. Sen säilyminen edellyttää paria liikuntakertaa viikossa. Kun peruskunta on saavutettu, sen nostaminen on helppoa vain harjoituskertoja lisäämällä.**

Liikunta palkitsee laihduttajan aina, sillä se on ainoa keino lisätä elimistön energiankulutusta. Etenkin laihduttajan kannattaa liittää vähäkaloriseen ruokavalioon aina myös säännöllinen liikunta. Laihduttajan on syytä liikkua päivittäin: aluksi joko 30 minuuttia kerrallaan tai pienempinä jaksoina ja vähitellen lisäten päivittäistä määrää tuntiin. Liikkeelle kannattaa lähteä rauhallisesti: kova rasitus ylipainoisella voi kuormittaa sydäntä ja verenkiertoelimistöä liikaa.

Liikunnan tehoa voit arvioida sydämen sykkeen avulla. Pulssimittarin avulla voit helposti seurata sykettäsi harjoittelun aikana ja varmistaa, että harjoittelu on riittävän tehokasta eikä liian kuormittavaa (ks. 2.13. SYKKEENMITTAUS).

2.3. MITTARI



2.3.1. NÄPPÄIMET

- A RESET**
Juoksumaton ollessa käytössä: Painamalla RESET-näppäintä voit nollata ajan, matkan ja energian.
Juoksumaton ollessa pysähdyksissä: Painamalla RESET-näppäintä voit palauttaa mittarin "asetta käyttäjäpaino"-toimintoon, jolloin voit joko asettaa painosi kiloina mittarille nuolinäppäimien ja ENTER-näppäimen avulla tai hyväksyä painon oletusarvon ja painaa suoraan ENTER-näppäintä päästäksesi etenemään.
- B SCAN/SELECT**
SCAN/SELECT-näppäimen avulla voit kytkeä päälle automaattisen näyttöjen vuorottelun tai valita tietyn näytön.
- C + JA - NUOLINÄPPÄIMET (SET/ADJUST)**
Nuolinäppäimien avulla voit asettaa painotietosi kiloina tai paunoina energiankulutuksen laskemista varten. Lisäksi nuolinäppäimiä käytetään myös käyttäjäasetustoiminnossa.
- D UP JA DOWN NUOLINÄPPÄIMET (% ELEVATION)**
UP-näppäimen avulla voit lisätä juoksumaton kaltevuuskulmaa 1 % portain, jolloin laitteen peräpää painuu alaspäin ja kaltevuuskulma suurenee. DOWN-näppäimen avulla voit pienentää juoksumaton kaltevuuskulmaa 1 % portain, jolloin laitteen peräpää nousee ylöspäin ja kaltevuuskulma pienenee.
- E ENTER**
ENTER-näppäimen avulla voit hyväksyä asettamasi käyttäjäpainon. Näppäintä käytetään myös käyttäjäasetustoiminnossa.
- F MEMORY**
MEMORY-näppäimen avulla voit tallentaa ja käynnistää yhden manuaalisesti laaditun harjoitusohjelman tai jonkin viidestä valmisohjelmasta.
- G KILPIKONNA (SPEED / SLOW)**
Painamalla SPEED/SLOW-näppäintä voit vähentää maton nopeutta 0.1 km/h portain (tai 0.1 mph).
- H JÄNIS (SPEED / FAST)**
Painamalla SPEED/FAST-näppäintä voit lisätä maton nopeutta 0.1 km/h portain (tai 0.1 mph).
- I STOP**
Painamalla STOP-näppäintä kertaalleen matto pysähtyy. Karttuneet arvot sekä käytetty nopeus ja kaltevuuskulma säilyvät mittarin muis-

tissa 1-5 minuuttia (riippuen käyttäjäasetustoiminnossa valitsemastasi ajasta, ks. 2.4. KÄYTTÄJÄASETUSTOIMINTO), jolloin jatkaessasi harjoittelua arvojen laskenta jatkuu karttuneista ja käytetyistä arvoista. Kun painat STOP-näppäintä toistamiseen tai jos muistiaika on kulunut umpeen, mittari näyttää edelleen harjoituksen aikana karttuneita arvoja, mutta harjoittelun jatkaminen samoista arvoista ei ole enää mahdollista.

2.3.2. TOIMINNOT

Merkkivalo toiminnon vieressä ilmaisee minkä toiminnon näyttö on aina kulloinkin kyseessä.

DISTANCE (Matka)

Näyttää karttunutta matkaa kilometreinä (00.0-99.9) tai mailleina.

% ELEVATION (Kaltevuuskulma)

Näyttää valittua kaltevuuskulmaa prosentteina (0-10 %).

PULSE (Syke) - lisätoiminto

Näyttää sykettä (ks. 2.13. SYKKEENMITTAUS).

TIME (Aika)

Näyttää kulunutta aikaa minuutteina ja sekunteina (00.00-99.59).

PACE (Kilometri- tai mailiaika)

Näyttää kilometriin tai mailiin kuluvaa aikaa kulloinkin valitun nopeuden perusteella.

WEIGHT (Käyttäjäpaino)

Näyttää asetettua käyttäjäpainoa (max. 110 kg).

SPEED (Nopeus)

Näyttää maton nopeutta joko kilometreinä tunnissa (1.5-16.0 km/h) tai mailleina tunnissa (1-10 mph).

CALORIES (Energiankulutus)

Näyttää arvioitua energiankulutusmäärää kilokaloreina (0-999 kcal) harjoituksen aikana. Tässä mittarissa energiankulutus lasketaan käyttäjäpainon, ajan, nopeuden ja kaltevuuskulman perusteella. Koska eri ihmisten kyky tuottaa energiaa (ns. hyötysuhde) vaihtelee, energiankulutusnäyttö on pakostakin vain suuntaa-antava arvio todellisesta kulutuksesta.

MEMORY (Muisti)

Merkkivalo palaa kun käytät muistiin tallentamaasi ohjelmaa tai mittarin valmisohjelmia.

2.4. KÄYTTÄJÄASETUSTOIMINTO

Tämä juoksumatto on varustettu käyttäjäasetustoiminnolla, joka mahdollistaa metrinen (km, km/h, kg) tai englantilaisten yksiköiden (maili, mph, pauna) valinnan, äänimerkin päälle- tai poiskytkemisen sekä tietyn ajan valinnan, jonka ajan haluat karttuneiden harjoitusarvojen säilyvän mittarin muistissa harjoittelun jatkamista varten, kun joudut esim. keskeyttämään harjoittelun. Lisäksi voit kytkeä käyttäjä-asetustoiminnosta muistisuojan päälle tai pois.

1. Paina ja pidä STOP-näppäintä alaspainettuna kun painat samalla SCAN/SELECT-näppäintä (mittarin on oltava "käyttäjäpainon asetus"-toiminnon kohdalla).
2. Mittarin näyttöön ilmestyy joko teksti "EngL" (= englantilaiset yksiköt) tai "ISo" (= metriset yksiköt). Valitse haluamasi yksiköt nuolinäppäimien avulla.
3. Paina SCAN/SELECT-näppäintä uudelleen. Mittarin näyttöön ilmestyy teksti "Aud 1" (= äänimerkki päällä) tai "Aud 0" (= äänimerkki pois päältä). Valitse haluamasi toiminto nuolinäppäimillä.
4. Paina SCAN/SELECT-näppäintä uudelleen. Mittarin näyttöön ilmestyy "to 1", "to 2", "to 3", "to 4" tai "to 5" (to = time out = muistiaika). Valitse haluamasi muistiaika nuolinäppäimillä. Jos valitset esim. "to 4", jatkaessasi harjoittelua seuraavan neljän minuutin aikana mittari jatkaa arvojen laskemista karttuneista arvoista.
5. Paina SCAN/SELECT-näppäintä uudelleen. Mittarin näyttöön ilmestyy teksti "PEnB" (muistisuoja pois päältä) tai "PdIS" (muistisuoja päälle), jolloin voit kytkeä muistisuojan päälle tai pois päältä. Kun muistisuoja on kytketty päälle, mittarille tallennettuja omia ohjelmia ei voi muuttaa. Valitse haluamasi vaihtoehto nuolinäppäimillä.
6. Paina lopuksi ENTER-näppäintä, jolloin mittari palautuu "käyttäjäpainon asetus"-toimintoon.

2.5. KÄYTTÄJÄPAINON ASETUS

Kun virta kytketään päälle, J 660:n mittari on suoraan "käyttäjäpainon asetus"-toiminnon kohdalla:

1. Merkkivalo WEIGHT-tekstin vieressä vilkkuu ja mittarin näytössä on viimeksi asetettu painoarvo.
2. Aseta oma painosi mittarille joko kiloina (tai paunoina riippuen valitusta yksiköstä, ks. 2.4. KÄYTTÄJÄASETUSTOIMINTO) nuolinäppäimien avulla.
3. Hyväksy asettamasi tieto ENTER-näppäimellä.
4. Valomerkki siirtyy SPEED-tekstin kohdalle ja mittarin näyttö näyttää "0.0"-nopeutta.

2.6. HARJOITTELUN ALOITTAMINEN

Ota tukea käsituesta aina kun nouset matolle tai siltä pois ja aina kun vaihdat maton nopeutta kesken juoksun. Liikkuvalta matolta ei saa hypätä!

Asetu seisomaan hajareisin juoksumaton reunalevyille. Älä käynnistä laitetta matolla seisten.

2.7. MANUAALITOIMINNON TAI VALMISOHJELMAN VALITSEMINEN

2.7.1. MANUAALITOIMINNON VALITSEMINEN

Mikäli et halua käyttää mittarille valmiiksi ohjelmoituja ohjelmia (2.7.2.), käynnistä matto painamalla JÄNIS-näppäintä (SPEED/FAST). Matto lähtee pyörimään 1.5 km/h nopeudella (tai 1.0 mph). Astu matolle pitäen kiinni käsituista. Lisää nopeutta tarvittaessa JÄNIS-näppäintä painamalla kunnes saavutat haluamasi kävely- tai juoksunopeuden. Hidasta maton nopeutta painamalla KILPIKONNA-näppäintä.

HUOM! Älä astu matolle, jos sen nopeus on suurempi kuin 1.5 km/h tai 1.0 mph.

Halutessasi voit muuttaa juoksumaton kaltevuuskulmaa UP- ja DOWN-nuolinäppäimien avulla. Painamalla UP-näppäintä kaltevuuskulma kasvaa 1% portain; laitteen peräpää painuu alaspäin ja kaltevuuskulma suurenee. Painamalla puolestaan DOWN-näppäintä kaltevuuskulmaa pienenee 1% portain; laitteen peräpää nousee ylöspäin ja kaltevuuskulma pienenee.

2.7.2. VALMISOHJELMAN VALITSEMINEN

Mikäli haluat valita jonkin mittarille valmiiksi ohjelmoiduista ohjelmista (sekä valmisohjelmat että omat tallentamasi ohjelmat), paina MEMORY-näppäintä. HUOM! Mikäli omaa ohjelmaa ei ole vielä tallennettu voidaan valita ainoastaan jokin valmisohjelmista. Valitse haluamasi ohjelmavaihtoehto nuolinäppäimien (SET/ADJUST) avulla. Hyväksy valitsemasi ohjelma ENTER-näppäimellä.

Aseta seuraavaksi harjoitusohjelman vaativuustaso nuolinäppäimien (SET/ADJUST) avulla (**IL 1 = aloittelijat, IL 2 = keskitaso, 3 = ylempi keskitaso, 4 = aktiivikuntoilijat, 5 = urheilijat**). Hyväksy valitsemasi vaativuustaso ENTER-näppäimellä.

Käynnistä ohjelma ja matto painamalla JÄNIS-näppäintä (SPEED/FAST). Mittari ilmoittaa äänimerkein nopeudessa ja kaltevuuskulmassa tapahtuvista muutoksista 15 sekuntia ennen muutosta.

2.8. SCAN TOIMINTO

Kytke SCAN-toiminto eli automaattinen näyttöjen vuorottelu päälle painamalla SCAN/SELECT-näppäintä. Mittari vaihtaa näytöstä toiseen kolmen sekunnin välein. **HUOM!** Mittari mittaa sykettä vain kun sykellä on kiinnitetty rintakehän ympärille (ks. 2.13. SYKKEENMITTAUS). Painamalla SCAN/SELECT-näppäintä toistamiseen SCAN-toiminto kytketty pois päältä ja mittarin näyttö pysähtyy näyttämään sillä hetkellä valittua toimintoa.

2.9. HARJOITTELUN KESKEYTTÄMINEN

Jos haluat keskeyttää harjoittelun hetkeksi, paina STOP-näppäintä kertaalleen. Matto pysähtyy. Harjoituksen aikana karttuneet ja käytetyt arvot pysyvät mittarin muistissa valitun ajan, jolloin jatkaessasi harjoittelua tuon valitun ajan sisällä mittari jatkaa arvojen laskemista karttuneista arvoista ylöspäin (ks. 2.4. KÄYTTÄJÄASETUSTOIMINTO).

Kun haluat jatkaa harjoittelua, paina JÄNIS-näppäintä, jolloin matto jatkaa pyörimistä samalla nopeudella kuin ennen keskeyttämistä. Ajan, matkan ja energiankulutuksen laskenta jatkuu myös aiemmin kertyneistä arvoista ylöspäin.

Jos muistiaika ehtii kulua umpeen ennen kuin jatkat harjoittelua, karttuneet arvot jäävät mittarin muistiin, mutta harjoittelun jatkaminen samoista arvoista ei ole enää mahdollista. Mittari siirtyy käyttäjäpainon asetus -tilaan, jos painat RESET- tai ENTER-näppäimiä.

HUOM! Muista jättää turva-avain paikalleen kun keskeytät harjoittelun. Muussa tapauksessa harjoittelun jatkaminen karttuneista ja käytetyistä arvoista ei ole mahdollista.

2.10. HARJOITTELUN LOPETTAMINEN

Juoksumatto pysähtyy tai voidaan pysäyttää eri tavoin, mm.:

1. Painamalla STOP-näppäintä.
2. Irrottamalla turva-avain paikaltaan.
3. Asettamalla maton nopeudeksi 0.0 km/h (tai mph) KILPIKONNA-näppäimen (SPEED SLOW) avulla.
4. Juoksumatto pysähtyy mittarille ohjelmoidun harjoitusohjelman päätyttyä.

MUISTA JOKAISEN KÄYTTÖKERRAN JÄLKEEN

Estääksesi lihasten kipeytymisen päättää jokainen harjoituskerta loppuverryttelyllä (hidasta hölkkää tai kävelyä). Muista myös venytellä.

Kytke virta pois päältä juoksumaton etureunassa olevasta kytkimestä.

Älä jätä turva-avainta paikalleen kun et harjoittele juoksumatolla.

Irrota verkkojohto sekä virtalähteestä että juoksumatosta.

Säilytä verkkojohto lasten ulottumattomissa ja poissa kulkuväyliltä.

Puhdista laite tarvittaessa hiestä hieman kostealla liinalla tai pyyhkeellä. Älä käytä liuottimia.

2.11. VALMIIT OHJELMAT

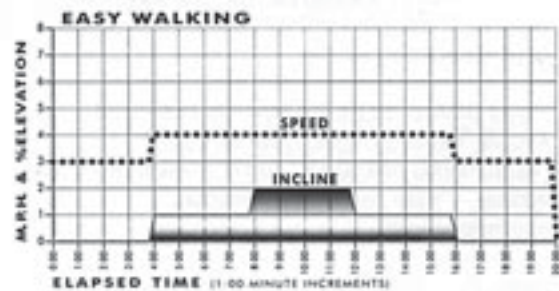
J 660 -juoksumatossa on vakiovarusteena 5 erilaista ohjelmavaihtoehtoa. Lisäksi voit tallentaa yhden oman harjoitusohjelman (ks. 2.12. OHJELMAN TALLENTAMINEN JA TALLENNETUN OHJELMAN KÄYNNISTÄMINEN).

Juoksumattojen valmisohjelmia voidaan käyttää viidellä eri vaativuustasolla. Poikkeuksena "KEVYT KÄVELY" -ohjelma, jossa on kolme vaativuustasomahdollisuutta.

Halutessasi voit muuttaa nopeutta ja/tai kaltevuuskulmaa myös valmiiden ohjelmien aikana omasta kunnan tasostasi riippuen.

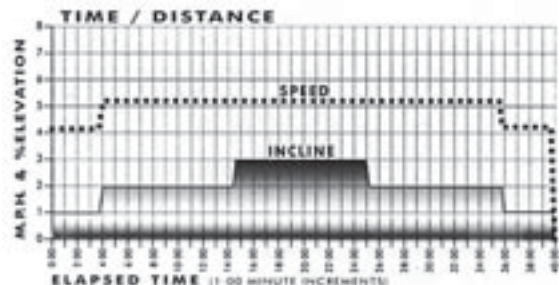
OHJELMA 1: KEVYT KÄVELY

Ohjelma soveltuu erinomaisesti lämmittelyyn ja verryttelyyn. Nopeus on ohjelman aikana suhteellisen alhainen ja kaltevuuskulma pieni. Ohjelma voidaan suorittaa kolmella eri tehotasolla, joista ensimmäinen kestää 15, toinen 20 ja kolmas 25 minuuttia.



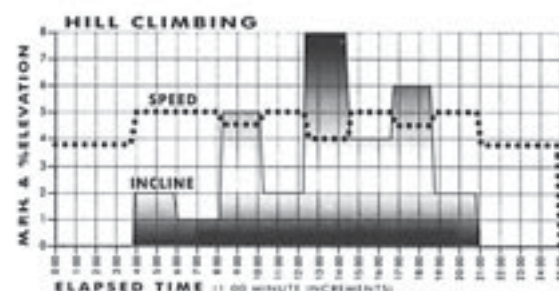
OHJELMA 2: KUNTO-OHJELMA

Kuntoiluohjelma vahvistaa sekä sydän- ja verenkiertoelimistöä että elimistön lihaskuntoa. Ohjelma auttaa säilyttämään nykyisen kunnan tason. Ohjelman pituus vaihtelee vaativuustason mukaan (20-40 minuuttia).



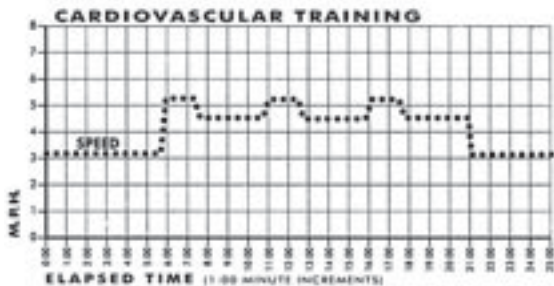
OHJELMA 3: RINNEOHJELMA

Rinneohtelman aikana kaltevuuskulma vaihtelee voimakkaasti ohjelman edetessä. Nopeus puolestaan pysyy suhteellisen vakiona. Ohjelma vahvistaa sydäntä ja elimistön kykyä kuljettaa happea. Ohjelman pituus vaihtelee vaativuustason mukaan (15-35 minuuttia).



OHJELMA 4: YLEISKUNNON KOHOTUS -OHJELMA

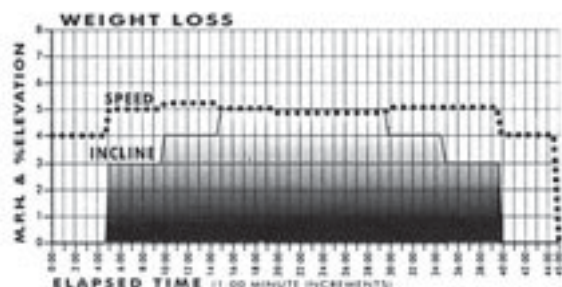
Ohjelmaa perustuu intervalliharjoitteluun eli sydämen lyöntitaso nostetaan ohjelman aikana vuorotellen ylös (noin 85 % maksimisykeatasosta) ja annetaan palautua alas. Ohjelma parantaa yleiskuntoa ja kestävyyttä. Ohjelman pituus vaihtelee vaatavuustason mukaan (15-35 minuuttia).



OHJELMA 5: LAIHUTUSOHJELMA

Laihdutusohjelma on suunniteltu käyttäjille, joiden tavoitteena on painon pudotus tai painon säilyttäminen tietyllä tasolla. Mikäli olet vasta aloittamassa kuntoilua ja painon pudotusta välttämättä ylenmääräistä rasitusta. Aloita harjoittelu siksi alhaisimmalla vaatimustasolla ja muuta vaatimustasoa vasta useamman viikon säännöllisen harjoittelun jälkeen kun elimistösi on tottunut uuteen rytmiinsä ja aineenvaihdunta nopeutunut. Ohjelman pituus vaihtelee vaatimustason mukaan (25-45 minuuttia).

Jos halutaan laihtua on kulutuksen oltava suurempaa kuin energian saanti. Laihduttajan on siis joko lisättävä liikuntaa tai vähennettävä syödyn energian määrää. Varsinainen painon putoaminen voi olla alussa hidasta, koska rasvojen palamisen myötä elimistöön kerääntyy nestettä. Ylimääräiset nesteet poistuvat lopulta hikenä tai virtsana aineenvaihdunnan nopeuduttua ja totuttua uuteen rytmiinsä. Vaa'an äärellä on myös muistettava, että lihas painaa enemmän kuin rasva, mutta se vie vähemmän tilaa.



2.12. OHJELMAN TALLENTAMINEN JA TALLENNETUN OHJELMAN KÄYNNISTÄMINEN

Halutessasi voit tallentaa mittarin muistiin tietyn harjoitteluohjelman harjoittelun päätyttyä. J 660:n muistiin voi tallentaa yhden harjoitusohjelman.

1. Kun olet asettanut käyttäjän painotiedon mittarille ja hyväksynyt sen ENTER-näppäimellä, paina MEMORY-näppäintä.
2. Valitse haluamasi ohjelma (Pro 1, Pro 2, Pro 3 jne.) SET/ADJUST-näppäimillä. Jos olet jo aikaisemmin tallentanut jonkun ohjelman, mittarin näyttöön tulee ensin teksti USr 1. Hyväksy ohjelma ENTER-näppäimellä.
3. Valitse ohjelman vaatavuustaso (IL 1, IL 2, IL 3 jne.) SET/ADJUST-näppäimillä. Hyväksy valintasi ENTER-näppäintä painamalla.
4. Aloita harjoittelu. Halutessasi voit muuttaa ohjelman nopeutta ja/tai kaltevuuskulmaa harjoittelun aikana.
5. Kun ohjelma päättyy tai lopetat harjoittelun paina STOP-näppäintä (kahdesti, jos lopetat harjoittelun kesken ohjelman).
6. Mittarin näyttöön ilmestyy teksti "Save no". Jos haluat tallentaa ohjelman mittarin muistiin tai harjoittelun aikana tekemäsi muutokset jo aikaisemmin tallennettuun ohjelmaan, paina jompaa kumpaa SET/ADJUST-nuolinäppäintä, jolloin mittarin näyttöön ilmestyy teksti "Save yes". Hyväksy valinta ENTER-näppäimellä.
7. Ohjelma on tallentunut mittarin muistiin.

2.13. SYKKEENMITTAUS

J 660:n mittarin sisälle valmiiksi asennetun sykevas-taanottimen ansiosta laite on yhteensopiva käytettäväk-si useimpien POLARIN langattomien sykelähtimien kanssa. J 660:een lähetin myydään lisävarusteena.

Langaton sykkeenmittaus, jossa rintakehälle kiinnitettävän lähtimen elektrodit siirtävät sykeimpulsit sydäimestä sähkömagneettisen kentän avulla mittarille, on todettu luotettavimmaksi sykkeenmittausperiaatteeksi.

Mikäli haluat lisätietoja langattomasta sykkeenmittauksesta tai hankkia sykelähtimen, ota yhteys juoksumaton myyjään.

2.13.1. POLARIN LANGATTOMAN SYKELÄHETTIMEN KÄYTTÖ

HUOM! MIKÄLI SINULLA ON SYDÄMENTAHDISTIN, KÄYTÄ SYKELÄHETINTÄ VAIN LÄÄKÄRIN LUVALLA!

Mikäli haluat mitata sykettä langattomasti harjoittelun aikana, **kostuta huolellisesti lähetinvyössä olevat, ihoa vasten tulevat uralliset elektrodit vedellä tai syljellä.**

Mikäli käytät lähetintä ohuen paidan päällä, kostuta paita elektrodipintoja vastaavilta kohdilta.

Kiinnitä lähetin joustavan vyön avulla sopivan tiukasti rintalihasten alapuolelle siten, että elektrodit pysyvät ihokontaktissa harjoittelun aikana. Lähetin ei kuitenkaan saa olla liian tiukalla, jottei esim. normaali hengitys vaikeudu.

HUOM! Mikäli elektrodipinnat eivät ole kosteat, sykelukema ei ilmesty mittarin näyttöön. Siksi jos elektrodit kuivuvat iholla, kostuta ne uudelleen.

Muista myös, että elektrodien tulee antaa lämmetä iholla kehon lämpöiseksi, jotta langaton sykkeenmittaus toimisi luotettavasti.

Sykelähetin siirtää sydämen sykkelukeman automaattisesti sykevastaanottimelle n. 1 m:n etäisyyteen saakka. Sykearvo näkyy mittarin näyttössä, kun merkkivalo palaa PULSE-toiminnon kohdalla. Merkkivalo vilkkuu sydämen lyöntien tahdissa.

HUOM! Jos langattomasti sykettä mittaavia laitteita on useampia vierekkäin, niiden välisen etäisyyden tulee olla vähintään 1,5 m. Vastaavasti jos käytössä on vain yksi vastaanotin, mutta useampi lähetin, saa mittauksen aikana lähetysetaisyydellä olla vain yksi henkilö, jolla on lähetin.

Lähettimen toiminta lakkaa, kun otat sen pois yltäsi. Toimintahäiriöiden välttämiseksi lähetin tulee kuivata huolellisesti käytön jälkeen.

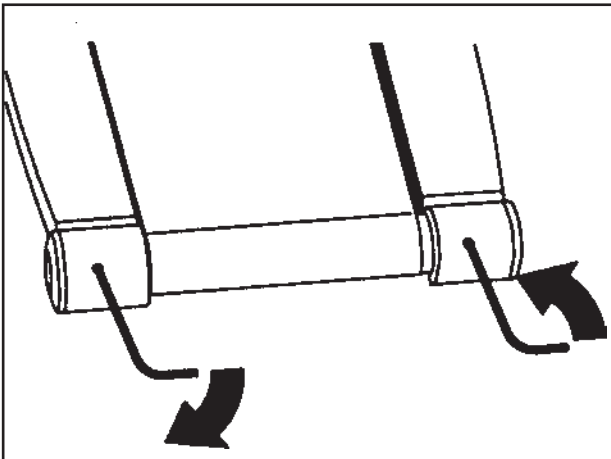
3. SÄÄDÖT

Tarkkaile maton kulkua harjoittelusi aikana ja suorita alla esitetyt säätötoimet aina välittömästi, kun huomaat niihin tarvetta.

3.1. MATON KESKITTÄMINEN

Harjoittelun aikana maton tulisi kulkea laitteen keskellä. Yleensä jos juoksumatto on sijoitettu tasaiselle alustalle ja maton kireys on oikea, keskittämistä ei tarvita. Erilaisista juoksutyyleistä johtuen (esim. harjoittelijan epätasainen painonjakauma) matto saattaa kuitenkin lähteä siirtymään kohti laitteen toista reunaa. Toimi silloin seuraavasti:

1. Kytke virta päälle juoksumaton etureunassa olevasta kytkimestä ja säädä juoksumaton nopeudeksi n. 5 km/h (3 mph).
2. Jos matto siirtyy kohti laitteen vasenta reunaa, käännä juoksumaton takareunassa olevaa vasemmanpuoleista säätöruuvia 1/8 kierrosta myötäpäivään ja oikeanpuoleista säätöruuvia 1/8 kierrosta vastapäivään.



3. Jos taas matto siirtyy kohti laitteen oikeaa reunaa, käännä oikeanpuoleista säätöruuvia 1/8 kierrosta myötäpäivään ja vasemmanpuoleista säätöruuvia 1/8 kierrosta vastapäivään.

HUOM! Jo 1/8 kierroksen säätö vaikuttaa maton kulkuun, joten maton keskittäminen on syytä suorittaa kiertämällä ruuveja vain vähän kerrallaan.

4. Mikäli matto pysyy keskellä, säätö on riittävä, mutta jos matto jatkaa edelleen kulkemistaan kohti laitteen toista reunaa, jatka asteittaista säätämistä kunnes matto kulkee suoraan.

Jos maton annetaan kulkea pidemmän ajan vinossa siten, että jompikumpi maton reuna hankaa laitteen sivuja vasten, laitteen käytössä saattaa ilmetä häiriöitä. Laitteen takuu ei korvaa maton keskittämisen laiminlyömisestä johtuvia laitteen vikoja tai vaurioita.

3.2. MATON KIREYDEN SÄÄTÖ

Matto pitää kiristää, jos se normaalikäytössä alkaa luistaa telallaan.

HUOM! Pidä matto kuitenkin niin löysällä kuin mahdollista!

Maton kireyden säätö suoritetaan samoista ruuveista kuin keskittäminen.

1. Kytke virta päälle juoksumaton etureunassa olevasta kytkimestä ja säädä juoksumaton nopeudeksi n. 5 km/h (3 mph).
2. Kierrä molempia säätöruuveja myötäpäivään yhtä paljon, n. 1/8 kierrosta.
3. Yritä hidastaa maton kulkua kävelemällä jarruttaen (ikään kuin kulkisit alamäkeen).

HUOM! Hyvin voimakkaasti jarrutettaessa matto saa luistaa.

4. Mikäli matto luistaa edelleen, kierrä vielä 1/8 kierrosta ja toista kokeilu.

4. HUOLTO

Tarkista aika ajoin kaikkien kiinnitysruuvien ja muttereiden kireys. Vältä ylikiristämistä.

Suosittelemme seuraavien huoltotoimenpiteiden suorittamista säännöllisesti.

4.1. MATON PUHDISTUS JA TARKASTUS

Kytke virta pois ja irrota verkkojohto sekä virtalähteestä että juoksumatosta. Käännä laite kyljelleen toisen reunalevyn varaan. Puhdista maton sisäpinta karkeahkolla harjalla. Älä käytä liuottimia. Pyöritä mattoa kädellä, jotta saat puhdistettua maton koko sisäpinnan. Löysää tarvittaessa maton kireydensäätöruuveja. Nosta laite takaisin pystyasentoon.

Jos maton reunat ovat kuluneet, tarkista että matto kulkee suorassa (ks. 3.1. MATON KESKITTÄMINEN). Jos maton reunat ovat rispaantuneet, ota yhteys laitteen myyjään.

4.2. LAITTEEN PUHDISTUS

Puhdista käsitetut ja mittari pölystä ja liasta hieman kostealla liinalla tai pyyhkeellä. Älä käytä liuottimia.

Puhdista juoksumaton rungon näkyvät osat (mm. matto, pohjalevy, reunalevyt) pienisuuttimisella imurilla säännöllisin väliajoin. Kääntämällä laitteen toisen reunalevyn varaan, voit imuroida myös laitteen alapuolelta.

Puhdista juoksumaton molemmat telat kerran vuodessa seuraavasti: löysää telan molempia säätöruuveja ja puhdista tela karkeahkolla harjalla. Kiristä säätöruuvit ja tarkista, että matto kulkee suorassa ja riittävällä kireydellä (ks. 3.1. MATON KESKITTÄMINEN ja 3.2. MATON KIREYDEN SÄÄTÖ).

4.3. LAITTEEN HUOLTOVOITELU

Huoltovoitelu on juoksumaton huoltotoimenpiteistä tärkein. Huoltovoitelu on ehdottoman välttämätön aina, kun huomaat joko juoksumaton kitkan selkeästi kasvaneen tai moottorin kuumenevan. Missään tapauksessa voiteluväli ei kuitenkaan saa ylittää 200 harjoituskilometriä; suosittelemme huoltovoitelua vähintään kerran kuukaudessa. Ensimmäisten 200 käyttökilometrin aikana laite tulee voidella 50 km välein. Riittämätön voitelu johtaa maton, pohjalevyn sekä moottorin kulumiseen ja rikkoutumiseen.

HUOM! Ennen juoksumaton käyttöönnottoa se on ehdottomasti voideltava huolellisesti alla olevan voiteluohjeen mukaisesti!!

HUOM! Mikäli juoksumatto on käyttämättä vähintään kolme viikkoa, se täytyy voidella huolellisesti alla olevan ohjeen mukaisesti!

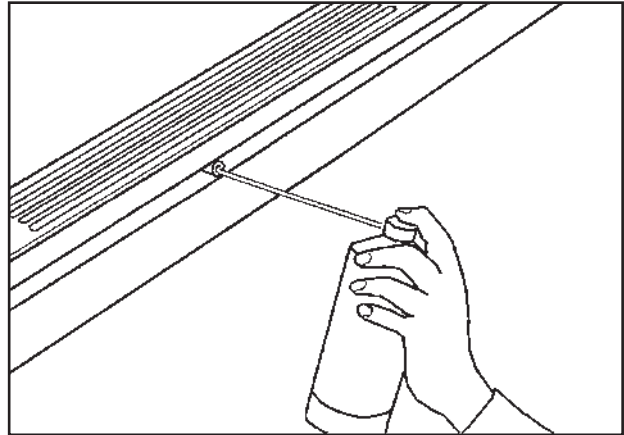
Lisävoitelun tarve on pitkälti riippuvainen käyttäjän painosta sekä juoksumatosta: suuri käyttäjäpaino sekä maton hiljainen käyttönopeus ovat tekijöitä, jotka rasittavat laitetta eniten ja siten vaativat erityistä huomiota huoltovoiteluun. Käytä juoksumatosta voiteluun ainoastaan laitteen mukana saamaasi teflonia. Lisäteflonin hankkimiseksi käänny laitteen myyjän puoleen.

HUOM! Laitteen voitelu silikonilla on ehdottomasti kielletty!

Noudata huolellisesti teflonpakkauksen kyljessä olevia turvallisuusohjeita sekä alla olevia voiteluohjeita:

1. Anna maton pyöriä hitaalla nopeudella ja suihkuta teflonia laitteen alla olevaan voiteluputkeen. Putki on merkitty laitteen rungossa olevalla tarralla.
2. Kun teflonia käytetään ensimmäistä kertaa, suihkuta noin 20 sekunnin ajan. Myöhemmin noin 10 sekunnin suihkutusta on riittävä.
3. Teflon valuu voiteluputkesta juoksumatolle ja voitelee samalla pohjalevyn. Laite on välittömästi käyttövalmis.

Varmista katsomalla jokaisen huoltovoitelun jälkeen, että maton alapinnalla on noin 20 cm levyinen alue kostunut teflonista koko maton pituudelta. Suihkuta tarvittaessa teflonia suoraan maton alapinnalle.



4.4. VIKAKOODIT

Tiettyjen laitteen elektroniikkaan liittyvien vikojen varalta laitteelle on sisäänrakennettu sisäinen viantunnistamismekanismi, jotta mahdolliset viat olisi mahdollista tunnistaa ja korjata mahdollisimman nopeasti. Viantunnistamismekanismi ei ole luonnollisesti kaikenkattava, mutta auttaa tunnistamaan todennäköisimpiä, pitkäaikaisen käytön seurauksena ilmeneviä mahdollisia vikoja. Tällaisen vian ilmetessä mittarin näytölle ilmestyy jokin seuraavista vikakoodista.

VIKAKOODI	SELITYS
E1	Nopeusanturi ei saa lainkaan signaalia (ts. anturi ei tunnista maton liikkumista)
E4	Vika nostomekanismissa tai -anturoinnissa
E7	Ohjelmistovika
E8	Maton pyörimisnopeus ylittää asetetun nopeuden

Mikäli jokin virhekoodi ilmestyy mittarin näytölle tai laitteen käytössä ilmenee muita häiriöitä, toimi seuraavasti:

1. Katkaise virta laitteen virtakytkimestä noin minuutin ajaksi ja käynnistä laite uudestaan.
2. Varmista, että turva-avain on paikoillaan.
3. Varmista, että verkkojohdon liitin on paikoillaan.
4. Varmista, että laitteen huoltovoitelu on riittävä (ks. 4.3. LAITTEEN HUOLTOVOITELU).
5. Mikäli edellämainitut toimenpiteet eivät poista vikakoodia mittarin näytöltä, ota yhteys laitteen myyjään. Muista aina ilmoittaa sekä ko. vikakoodi että laitteen sarjanumero (juoksumaton etureunassa oikealla puolella olevasta tarrasta).

tEtH Turva-avainta ei ole asetettu kunnolla paikalleen

Jatkuvasta laaduntarkkailusta huolimatta laitteessa saattaa esiintyä yksittäisistä komponenteista johtuvia yksilövikoja tai toimintahäiriöitä. Koko laitteen toimittaminen korjattavaksi on kuitenkin monesti turhaa, koska vika on useimmiten korjattavissa ko. osan vaihdolla.

4.5. KUMULOITUNEET ARVOT

Juoksumaton kokonaiskäyttötunnit ja matolla juostu kokonaismatka tallettavat automaattisesti mittarin muistiin. Mikäli haluat tarkistaa laitteen kokonaisarvot esim. huoltotoimenpiteiden yhteydessä, toimi seuraavasti:

1. Paina ja pidä STOP-näppäintä alaspainettuna samalla kun painat SCAN/SELECT-näppäintä (mittarin on oltava "käyttäjäpainon asetus" -toiminnon kohdalla). Mittari on nyt käyttäjäasetustoiminnossa.
2. Paina STOP-näppäin uudelleen alas ja paina samalla ensin SCAN/SELECT-näppäintä ja sitten ENTER-näppäintä.
3. Näyttö ilmoittaa kokonaiskäyttöajan, kokonaismatkan sekä juoksumaton ohjelmistoversion.
4. Poistuaksesi kokonaisarvo-näytöistä paina ENTER-näppäintä kahdesti.

5. KULJETUS JA SÄILYTYS

J 660 juoksumattoa on helppo siirtää sen alapuolella olevien kuljetuspyörien varassa. Ennen laitteen siirtämistä, varmista, että verkkojohto on irrotettu sekä virtalähteestä että juoksumatosta. Nosta juoksumattoa takaosastaan ja siirrä se pyörien varassa työntäen.

HUOM! Matto on tarvittaessa keskitettävä laitteen kuljettamisen tai siirtämisen jälkeen (ks. 3.1. MATON KESKITÄMINEN).

Toimintahäiriöiden välttämiseksi säilytä laitetta mahdollisimman kuivassa ja tasalämpöisessä paikassa pölyltä suojattuna. Irrota verkkopistoke jokaisen käyttökerran jälkeen.

HUOM! Mikäli juoksumatto on käyttämättä vähintään kolme viikkoa, se täytyy voidella huolellisesti esitetyn ohjeen mukaisesti!

6. TEKNISET TIEDOT

Pituus	150 cm
Korkeus	125 cm
Leveys	90 cm
Paino	71 kg
Juoksupinta-alan pituus	135 cm
Juoksupinta-alan leveys	44 cm
Nopeus	1.5-16 km/h / 1-10 mph
Kaltevuuden säätö	0-10 %

Mittari

Matka
Kaltevuuskulma
Syke (lisätoiminto)
Aika
Kilometri- tai mailiaika
Nopeus
Energiankulutus

LED-näyttö

5 valmisohjelmaa,

1 oma ohjelma

Moottori
Välitysmekanismi
Runkomateriaali

1,5 HP
Hihnavälitys
Hitsattua terästä,
pulverimaalattu

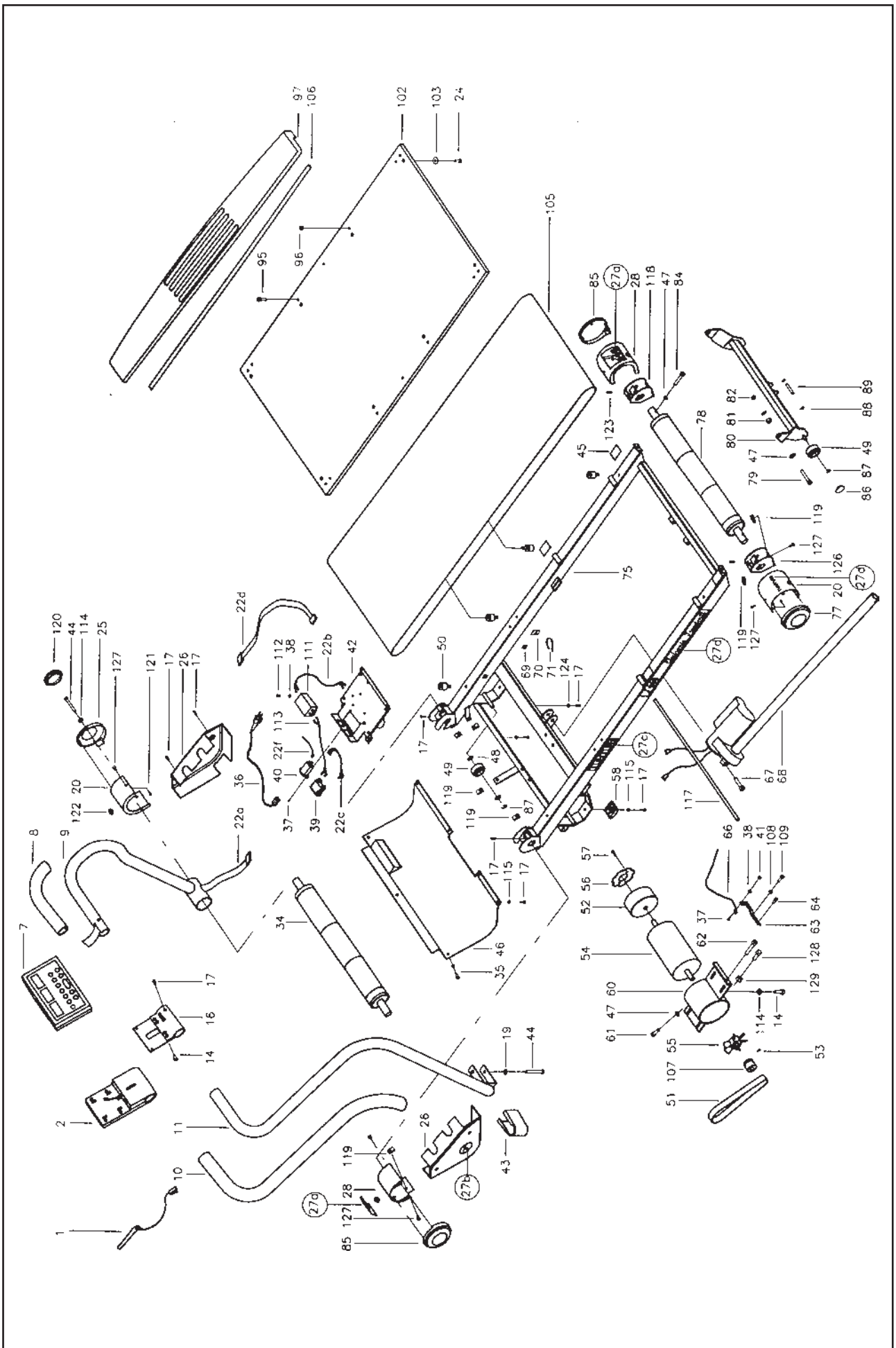
Maksimikäyttäjäpaino

110 kg

TUNTURI-laitteet on suunniteltu täyttämään sähkömagneettista yhteensopivuutta koskevan EU:n EMC-direktiivin. Tuotteet on varustettu sen mukaisesti CE-tarralla.

TUNTURI-juoksumatot täyttävät DIN-tarkkuus- ja turva-normien vaatimukset (DIN 32933-1+3).

Oikeudet muutoksiin pidätetään.



Ref. no	Part no.						
1*	403 4019		A	80	103 4008	F	
2	503 4013		A	81	533 4015	F	
6	60 35 013 57		F	82	61 0810	F	
7	233 4007		H	84	60 08 050 33	F	
-	173 4023	Membrane	L	85	173 4026 R	A	
8	213 4004	R	A	86	533 4018	A	
9	203 4010	R (incl. 8)	F	87	672 001	F	
10	213 4005	L	A	88	673 4002	F	
11	203 4003	L (incl.10)	F	89	343 4003	F	
14	60 08 020 33		F	95	60 08 025 34	F	
16	503 4007		F	96	61 0803	F	
17	653 262 82		F	97	433 4006	A	
19*	63 08 127B		F	102	433 4015	K	
20	173 4028	R	A	103	62 0624 10	F	
22	403 4046	(incl. 22a- 22c)	H	105	443 4004	K	
24	60 04 016 57		F	106	683 400	K	
25	173 4025	R	A	107	263 4003	F	
26	173 4030	L	A	108	61 0501	F	
27	423 4024	(incl.27a- 27e),	K	109	60 05 016 11	F	
28	173 4029	L	A	111	403 4033	H	
34	523 4015		F	112	60 04 006 21	F	
36	403 4024		H	113	403 4009 52	H	
35	60 05 012 21		F	114	652 133 74	F	
37	60 03 008 20 3		F	115	62 0515 15	F	
38	63 04 127		F	116	533 4030	A	
39	403 470		H	117	103 4012	F	
40	403 4016		H	118	103 4019	roller bracket, rear RH	F
41	61 0301		F	119	653 1003	F	
42	403 4043		H	120	533 4033	A	
43*	173 4016		A	121	653 7020	F	
44*	60 08 080 32		F	122	533 5005	A	
45	533 4010		G	123	653 5003	F	
46	173 4033		A	124	63 05 6798J	F	
47	62 0817 20		F	126	103 4020	roller bracket, rear LH	F
48	62 1218 10		F	127	60 05 012 39 5	F	
49	533 4005		A	128	60 08 025 03	F	
50	533 4008		F/G	129	61 0801	F	
51	443 4007		G	*	553 4004	Assembly kit (incl. *)	F
52	303 4004		F	*	556 0009	Allen key 6 mm	F
53	653 4013		F	-	563 4003	Lubricating bottle	F
54	813 4014		F	-	583 4010	Owner's manual	E
	(incl. 47,52,53, 55 - 57, 60,61,107)						
55	303 4005		A				
56	263 4002		F				
57	60 04 008 21		F				
58	533 4006	(incl. 115)	A				
60	103 4021		F				
61	653 4045		F				
62	60 08 045 32		F				
63	503 4010		F				
64	60 05 008 21 3		F				
66	403 4017		H				
67	60 08 040 32		F				
68	813 4008		F				
69	503 125 89		A				
70	503 420		A				
71	501 104 74		A				
75	103 4013		F				
77	173 4027	L	A				
78	523 4017		F				
79	60 08 065 32		F				

List for recycling / Index für Materialentsorgung:	
A	= Plastic, thermoplast / Kunststoff, Thermoplast
B	= Plastic, duroplast / Kunststoff, Duroplast
C	= Plastic, polyethylene / Kunststoff, Polyäthylen
D	= EPS / Styropor
E	= Paper, Carton / Papier, Pappe
F	= Metal / Metall
G	= Rubber / Gummi
H	= Electronics / Elektronik
J	= Batteries / Batterien
K	= Glass / Glas
L	= Other / Sonstiges

This list will help you to sort out the different components for recycling purposes.

Dieser Index soll Ihnen die Zuordnung der Rohstoffe bei einer späteren Entsorgung erleichtern.

TUNTURI OY LTD

P.O. BOX 750, FIN-20361

Turku, Finland

Tel. +358 (0)2 513 31

Fax +358 (0)2 513 3323

www.tunturi.com

TUNTURI[®]
THE MOTOR – *it's you.*

Free Manuals Download Website

<http://myh66.com>

<http://usermanuals.us>

<http://www.somanuals.com>

<http://www.4manuals.cc>

<http://www.manual-lib.com>

<http://www.404manual.com>

<http://www.luxmanual.com>

<http://aubethermostatmanual.com>

Golf course search by state

<http://golfingnear.com>

Email search by domain

<http://emailbydomain.com>

Auto manuals search

<http://auto.somanuals.com>

TV manuals search

<http://tv.somanuals.com>