

Turbo air Speeds Up the Pace of Innovation

REFRIGERATOR MANUFACTURER
Turbo air

Horizontal Bottle Cooler Installation and Operation Manual

Please read this manual completely before attempting to install or operate this equipment!



TBC-24SD, 24SB / TBC-36SD, 36SB / TBC-50SD, 50SB /
TBC-65SD, 65SB / TBC-80SD, 80SB / TBC-95SD, 95SB

SD series: Stainless Steel Exterior

SB series: Black Laminated Vinyl Exterior or Black Powder Coating Exterior

(This picture shows TBC-50SD in the SD series.)

CONTENTS

	PAGE
SPECIFICATIONS	2
SERIAL NUMBER	2
INSTALLATION OF THE BOTTOM SHELVES.....	3
INSTALLATION OF THE DIVIDERS.....	4
INSTALLATION OF THE OPENER KIT	5
HOW TO USE THE BOTTLE OPENER	6
INSTALLATION.....	7
CLEANING & CAUTION	8
BASIC OPERATION	9
BEFORE REQUESTING SERVICE	10
WARRANTY.....	11~13

SPECIFICATIONS

Horizontal Bottle Cooler

MODEL	COMP H.P.	V/Hz	REFRIGERANT	AMPS	WEIGHT
TBC-24SD/SB	1/10	110-120V/60Hz	R-134a	3.5A	121 lbs
TBC-36SD/SB	1/4	110-120V/60Hz	R-134a	5.5A	209 lbs
TBC-50SD/SB	1/3	110-120V/60Hz	R-134a	6.8A	235 lbs
TBC-65SD/SB	1/3	110-120V/60Hz	R-134a	7.0A	282 lbs
TBC-80SD/SB	1/2	110-120V/60Hz	R-134a	8.0A	364 lbs
TBC-95SD/SB	1/2	110-120V/60Hz	R-134a	9.2A	375 lbs

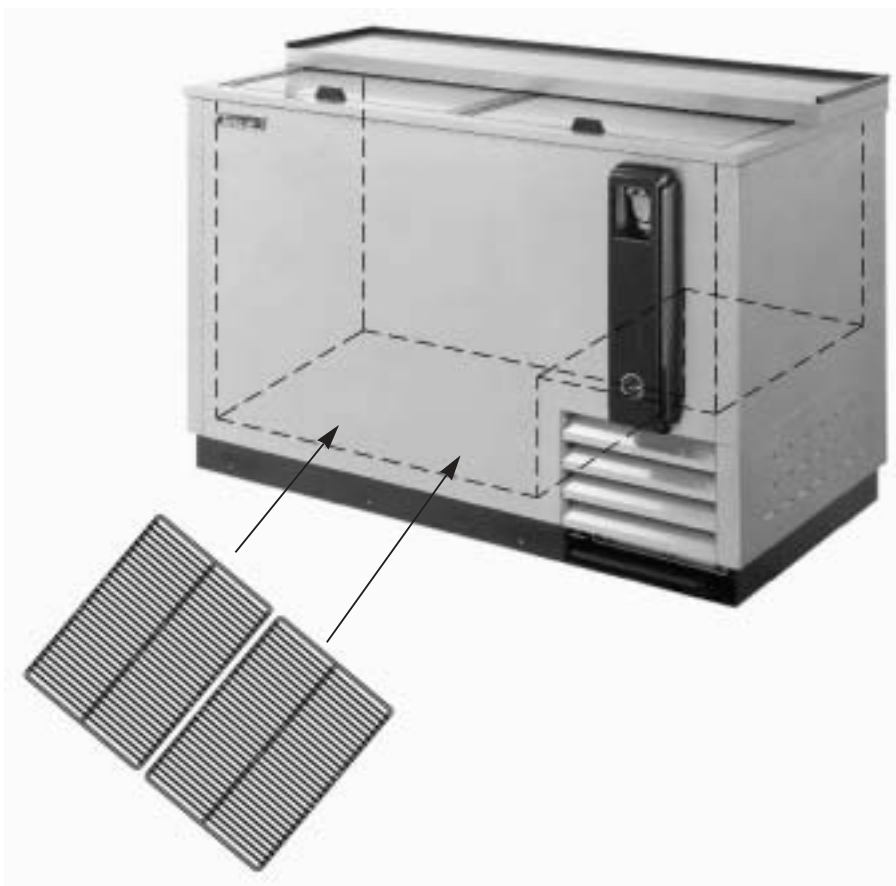
SERIAL NUMBER

The serial number is located on the rating label which is on interior right side wall.

Please retain the unit's serial number for service purpose.

INSTALLATION OF THE BOTTOM SHELVES

- 1) Before adding cans or bottles to cooler, please install bottom shelves.
- 2) Then install dividers. (see page 4)

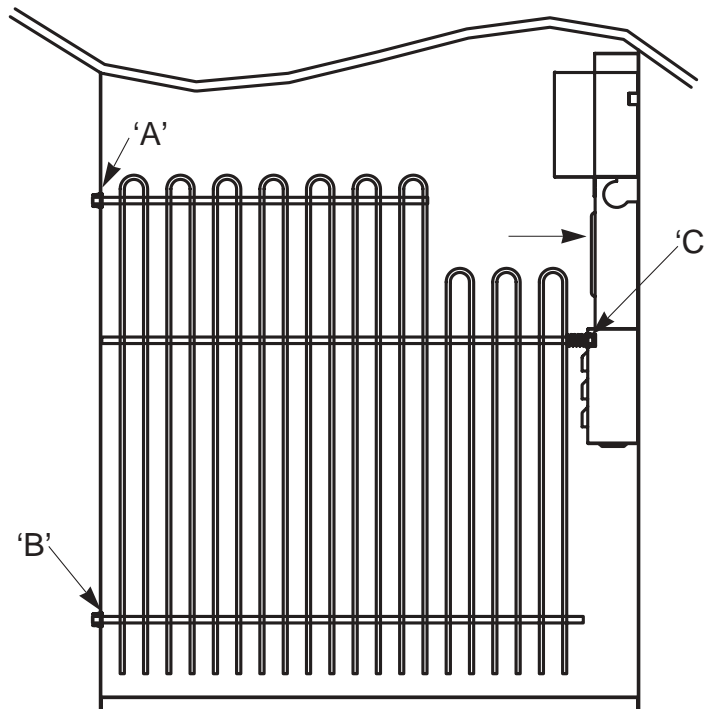


*** Note:**

The size and quantities of the bottom shelves can be different according to model number.

INSTALLATION OF THE DIVIDERS

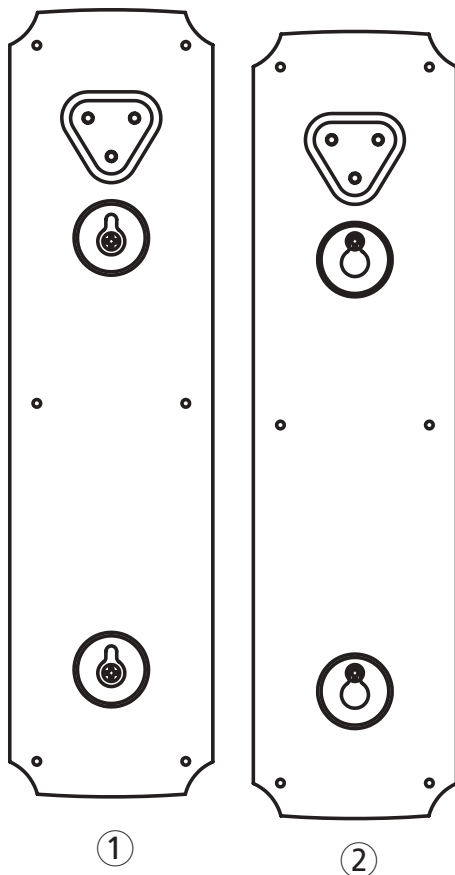
- 1) To re-position divider, push back wards.
- 2) Spring in back of divider point 'C' will be shorten to about 1/2 inch.
- 3) Front of divider will be able to remove from point 'A' and 'B'.
- 4) Position divider in the hole, point 'C' where you would like it.
- 5) Push divider back wards.
- 6) Insert front of divider in the holes, point 'A' and 'B', where you would like it.



* Note :
The shape and quantities of the dividers can be different according to model number.

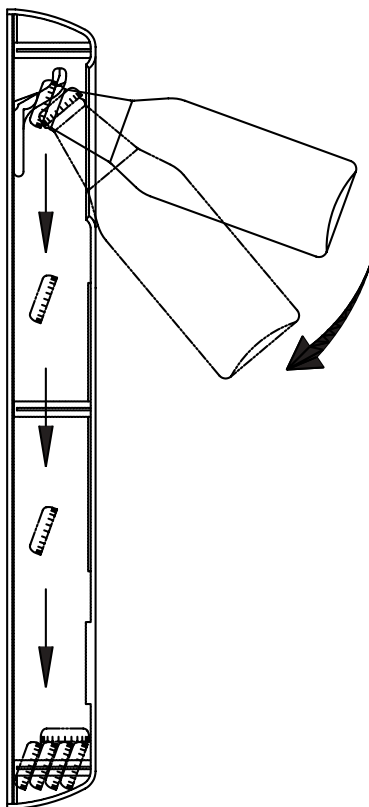
INSTALLATION OF THE OPENER KIT

- 1) Bottle opener kit is inside cabinet.
- 2) On the front outside wall of bottle cooler, there are screws.
- 3) Hook the opener kit onto the screws, like drawing ①.
- 4) Push down so head of screw will insert into smaller opening, like drawing ②.
- 5) To detach it, follow above list in the reverse order.



HOW TO USE THE BOTTLE OPENER

1. In direction of arrow.
2. Grip the bottle tightly so it will not fall on removing cap.
3. The cap will drop to bottom of opener case.
4. When opener case is full, separate from cabinet.
5. Turn opener case over to empty.



INSTALLATION

1. GOOD AIR CIRCULATION

- Do not place any object that will restrict air flow in front or back grills.
- Turbo air highly recommends that there is ample space in rear of unit. 3 inches or more is best.

2. PLACE ON STRONG GROUND

- Be sure the location chosen has a floor strong enough to support the total weight of the cabinet and contents.

3. DO NOT PLACE NEAR HEAT

- Be sure to avoid hot corners and locations near stoves.
- High ambient temperature will make cooling efficiency lower.

4. INDOOR USAGE ONLY

- Be sure to install this unit indoor, so it will not get wet from the rain.

5. STABILIZING

- Make sure the unit is installed in a stable condition.

6. LEVELING

- Be sure that the unit is level from front to back and side to side.

7. Do not plug in with other units on same breaker.

8. Do not run on extension cord.

CLEANING

Before cleaning, turn unit off at power switch.

1. CLEANING THE INTERIOR AND EXTERIOR

- The interior and exterior of the unit can be cleaned using warm water with soap.
- Do not use an abrasive cleaner because it will scratch the surface.

2. CLEANING THE CONDENSER FINS

- To maintain proper refrigeration performance, the Condenser coil must be free of dust, dirt, and grease.
This will require periodic cleaning. Condenser fins should be cleaned at least every three months (90 days) or as needed.
- To clean condenser, unplug at power cord. Condenser can be cleaned with vacuum brush, or CO₂ (high pressure air).

3. CLEAN THE DRAIN PAN

- Empty the Drain Pan which is located under the unit, periodically.
- When reinstalling Drain Pan, make sure Drain Hose is placed back in pan.

4. CHECK AFTER CLEANING

- Plug unit back in and turn on power switch.
- Check that the unit is operating properly.

CAUTION

1. POWER CORD

- Be sure the power cord is connected to the proper voltage.
- A protected circuit of the correct voltage and amperage must be run for connection of the line cord.
- Turn 'off' the power switch before disconnecting the power cord, whenever performing maintenance functions or cleaning the refrigerated cabinet.
- Compressor warranties are void if compressor burns out due to low voltage.

2. RE-STARTING

- If disconnected, wait 5 minutes before re-starting.

3. POSITIONING DRINKS

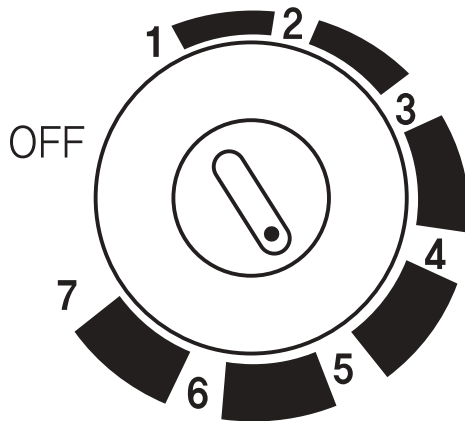
- Do not obstruct the air inlet which is located at the back inside of the unit.

BASIC OPERATION

TBC-24SD, TBC-24SB
TBC-36SD, TBC-36SB
TBC-50SD, TBC-50SB
TBC-65SD, TBC-65SB
TBC-80SD, TBC-80SB
TBC-95SD, TBC-95SB

REFRIGERATORS

1. The controller(thermostat) is located at the right inside of the unit.
2. The factory setting for the control is '5', and maintains about 38°F (3°C) inside.
3. Set toward "1" for warmer temperature and "7" for colder temperature.



**Temperature Controller
(Thermostat)**

4. The thermostat controls compressor's cycling by sensing inside temperature.
5. When unit will not be used for a long time, turn the power switch off located under the thermostat knob.

BEFORE REQUESTING SERVICE

SYMPTOMS	CAUSES	SOLUTIONS
Cooler is freezing products	<ul style="list-style-type: none"> • Thermostat set too cold. 	<ul style="list-style-type: none"> • Turn the temperature dial to a warmer setting.
The unit does not refrigerate at all.	<ul style="list-style-type: none"> • There is a power connection failure problem. 	<ul style="list-style-type: none"> • Check the power cord to make sure the unit is plugged in it correctly.
The unit does not refrigerate well.	<ul style="list-style-type: none"> • The unit is in sunlight or near a heating device. • Product was put in warm. • The unit lid is opened too frequently or left open too long. • The temp. dial is not on the correct position. • The condenser is clogged. 	<ul style="list-style-type: none"> • Move out of sunlight or away from heater. • Check the condition of stored product. • Check the position of the temp control dial.
There is a loud noise.	<ul style="list-style-type: none"> • The floor is too weak or the leveling feet are set incorrectly. • The backside of the unit is too close to the wall. 	<ul style="list-style-type: none"> • Check the installation.
There are dew-drops on the unit exterior.	<ul style="list-style-type: none"> • High-moisture air can produce dewdrops during rainy seasons. 	<ul style="list-style-type: none"> • Wipe with a dry cloth.
There are dew-drops on the unit interior.	<ul style="list-style-type: none"> • The lid is opened too frequently or left open too long. 	<ul style="list-style-type: none"> • Keep the lid closed to remove dewdrops.

The following points are not malfunctions:

- A water-flowing sound can be heard when the compressor stops. This is the sound of REFRIGERANT flowing.
- The compressor does not run during the defrost cycle.

Warranty Claims

All claims for labor or parts must be made directly through Turbo Air. If unit was manufactured more than one year, proof of purchase must be faxed in or sent with claim. All claims should include: model number of the unit, the serial number of the cabinet, and all pertinent information supporting the existence of the alleged defect. If compressor is replaced under warranty, Turbo Air will either request the compressor or compressor tag be returned. Compressor or tag must be returned with all information related to the unit. Any action or breach of these warranty provisions must be commenced within one year after said cause of action has occurred.

One Year Parts & Labor Warranty

Turbo Air warrants to the original purchaser of every new Turbo Air refrigerated unit, the cabinet and all parts thereof, to be free from defects in material or workmanship, under normal and proper use and maintenance service as specified by Turbo Air and upon proper installation and start-up in accordance with the instruction packet supplied with each Turbo Air unit. Turbo Air's obligation under this warranty is limited to a period of one (1) year from the date of original installation or 15 months after shipment date from Turbo Air, whichever occurs first. Any parts, covered under this warranty, that are determined by Turbo Air to have been defective within one (1) year of original installation or fifteen (15) months after shipment date from manufacturer, whichever occurs first, is limited to the repair or replacement, including labor charges, of defective parts or assemblies. The labor warranty shall include standard straight time labor charges only and reasonable travel time, as determined by Turbo Air.

Additional Four Year Compressor Warranty

In addition to the one (1) year warranty stated above, Turbo Air warrants its hermetically sealed compressor to be free from defects in both material and workmanship under normal and proper use and maintenance service for a period of four (4) additional years from the date of original installation, but not to exceed five (5) years and three (3) months after shipment from the manufacturer.

Compressor determined by Turbo Air to have been defective within this extended period will, at Turbo Air's option, be either repaired or replaced with a compressor or compressor parts of similar design and capacity.

The four (4) year extended compressor warranty applies only to hermetically sealed parts of the compressor and does not apply to any other parts or components, including, but not limited to, cabinet, paint finish, temperature control, refrigerant, metering device, driers, motor starting equipment, fan assembly or and other electrical component, etcetera.

404A / 134A Compressor Warranty

The four-year compressor warranty detailed above will be voided if the following procedure is not carefully adhered to:

1. This system contains R404A or R134A refrigerant and polyolester lubricant. The polyol ester lubricant has rapid moisture absorbing qualities.
2. Drier replacement is very important and must be changed when a system is opened for servicing. A 620 copper drier or better is highly recommended.
3. Micron level vacuums must be achieved to insure low moisture levels in the system. 500 microns or lower must be obtained.
4. When compressor is grounded, suction filter drier and 620 drier or better must be replaced.
5. Compressor must be obtained through Turbo Air Inc., unless otherwise specified in writing, through Turbo Air's warranty department.

What Is Not Covered By This Warranty

Turbo Air's sole obligation under this warranty is limited to either repair or replacement of parts, subject to the additional limitations below. This warranty neither assumes nor authorizes any person to assume obligations other than those expressly covered by this warranty.

NO CONSEQUENTIAL DAMAGES. TURBO AIR IS NOT RESPONSIBLE FOR ECONOMIC LOSS; PROFIT LOSS; OR SPECIAL, INDIRECT, OR CONSEQUENTIAL DAMAGES, INCLUDING WITHOUT LIMITATION, LOSSES, OR DAMAGES ARISING FROM FOOD OR PRODUCT SPOILAGE CLAIMS WHETHER OR NOT BECAUSE OF REFRIGERATION FAILURE.

WARRANTY IS NOT TRANSFERABLE. This warranty is not assignable and applies only in favor of the original purchaser / user to whom delivered. ANY SUCH ASSIGNMENT OR TRANSFER SHALL VOID THE WARRANTIES HEREIN MADE AND SHALL VOID ALL WARRANTIES, EXPRESS OR IMPLIED, INCLUDING ANY WARRANTY OF MERCHANTABILITY OR FITNESS FOR A PARTICULAR PURPOSE.

IMPROPER USAGE. TURBO AIR ASSUMES NO LIABILITY FOR PARTS OR LABOR COVERAGE FOR COMPONENT FAILURE OR OTHER DAMAGES RESULTING FROM IMPROPER USAGE OR INSTALLATION OR FAILURE TO CLEAN AND / OR MAINTAIN PRODUCT AS SET FORTH IN THE WARRANTY PACKET PROVIDED WITH THE UNIT.

ALTERATION, NEGLIGENCE, ABUSE, MISUSE, ACCIDENT, DAMAGE DURING TRANSIT OR INSTALLATION, FIRE, FLOOD, ACTS OF GOD. Turbo Air is not responsible for the repair or replacement of any parts that Turbo Air determines have been subjected after the date of manufacture to alteration, neglect, abuse, misuse, accident, damage during transit or installation, fire, flood, or act of God.

IMPROPER ELECTRICAL CONNECTIONS. TURBO AIR IS NOT RESPONSIBLE FOR THE REPAIR OR REPLACEMENT OF FAILED OR DAMAGED COMPONENTS RESULTING FROM ELECTRICAL POWER FAILURE, THE USE OF EXTENSION CORDS, LOW VOLTAGE, OR VOLTAGE DROPS TO THE UNIT.

NO IMPLIED WARRANTY OF MERCHANTABILITY OR FITNESS FOR A PARTICULAR PURPOSE: THERE ARE NO OTHER WARRANTIES, EXPRESSED, IMPLIED OR STATUTORY, EXCEPT THE ONE (1) YEAR PARTS & LABOR WARRANTY AND THE ADDITIONAL FOUR (4) YEAR COMPRESSOR WARRANTY AS DESCRIBED ABOVE. THESE WARRANTIES ARE EXCLUSIVE AND IN LIEU OF ALL OTHER WARRANTIES, INCLUDING IMPLIED WARRANTY AND MERCHANTABILITY OR FITNESS FOR A PARTICULAR PURPOSE. THERE ARE NO WARRANTIES, WHICH EXTEND BEYOND THE DESCRIPTION ON THE FACE HEREOF.

OUTSIDE U.S. AND CANADA: This warranty does not apply to, and Turbo Air is not responsible for, any warranty claims made on products sold or used outside the United State and Canada.

CHANGES MADE TO WARRANTY COMMENCED ON 5/1/2002

REFRIGERATOR MANUFACTURER
Turbo air

1250 Victoria street
Carson, CA 90746
U.S.A & Canada Toll Free 800-627-0032
For Service 800-381-7770
TEL: 310-900-1000
FAX: 310-900-1077
<http://www.turboairinc.com>

Free Manuals Download Website

<http://myh66.com>

<http://usermanuals.us>

<http://www.somanuals.com>

<http://www.4manuals.cc>

<http://www.manual-lib.com>

<http://www.404manual.com>

<http://www.luxmanual.com>

<http://aubethermostatmanual.com>

Golf course search by state

<http://golfingnear.com>

Email search by domain

<http://emailbydomain.com>

Auto manuals search

<http://auto.somanuals.com>

TV manuals search

<http://tv.somanuals.com>