

Turbo air Speeds Up the Pace of Innovation

REFRIGERATOR MANUFACTURER
Turbo air

Bakery Case Unit Installation and Operation Manual

Please read this manual completely before attempting to install or operate this equipment!



TCB-5R

CONTENTS

- INTRODUCTION 2
- SAFETY STICKERS 3
- INSTALLATION INSTRUCTIONS 4
 - Inspection for damage
 - Location of Bakery Case
 - Leveling of Bakery Case
- PACKAGING MATERIAL 5
- LIGHTS 5
- SHELVES 5
- ELECTRICAL INFORMATION 6
- WIRING DIAGRAM 7
- OPERATING INSTRUCTIONS 8
 - Controls
 - Anti Moisture Fans
 - How to place product
 - Shelf placement 9
 - Replacement of light 9
- FRONT CURVED GLASS 10
- MAINTENANCE & CLEANING 11
 - Cleaning daily
 - Cleaning weekly
 - Condenser Coil 12
- TROUBLE SHOOTING 13
 - Bakery Case not working
 - Bakery Case warm
 - Glass sweating
 - Light not working
- WARRANTY STATEMENT 14~15
- SPECIFICATIONS

MODEL	COMP H.P	V/Hz	REFERIGERANT	AMPS	WEIGHT
TCB-5R	1/3	115V/60Hz	R-134a	9	850 lbs



INTRODUCTION

This owner's manual has important information. Please read the entire manual before installing your new Turbo Air Refrigerated Bakery Case.

After reading manual if you have any questions, please call free to call:

CUSTOMER SERVICE DEPARTMENT

TURBO AIR

1250 VICTORIA ST.

CARSON, CA 90746

1-800-381-7770

1-800-627-0032

Please write down model and serial number for making any reference to this unit.

CASE MODEL _____ **SERIAL NUMBER** _____

WARNING!

Failure to read this manual completely can result in personal injury or damage to the unit. Keep manual in a safe place to refer to in the future.

WARNING!

Electrical must be installed by a licensed electrician. On page 6 and 16 is information for electrician.

WARNING!

All electrical wiring must be done in accordance with all applicable standards. Improper connections of electrical can result in death or severe injury.

Thank you for purchasing Turbo Air!



SAFETY STICKERS

The following signs are thru out Turbo Air Bakery Case. If any are missing, Pleac call Customer Service so the sticker can be sent to you.

DANGER HIGH VOLTAGE-This sticker is on back of bakery case.

CAUTION-This sticker is below the Bakery display pan.

! CAUTION-This sticker is on back of bakery case.

Please follow all safety warnings on stickers. Make sure all employees understand warnings. Have all employees read manual for your and their safety.

Please be sure person who installs Bakery Case understands safety warnings and has read manual.

If service technician services unit make sure they understand safety warning on stickers. Please keep manual handy for future use for technician.

All stickers are placed for your protection. Please never remove stickers. If stickers become lost or damaged call Customer Service so the stickers can be replaced.

!!! When you see this symbol, please be alerted. This will be seen thru the manual and on stickers.

WARNING!

Please follow all instructions and all warnings for your safety.

INSTALLATION INSTRUCTIONS

INSPECTION FOR DAMAGE

Customer is responsible for checking for damage. First inspect crate as soon as it arrives. Prior to signing if crate is damaged make sure you note that on bill of lading.

If after uncrating there is concealed damaged and crate was in good condition you must call Customer Service at Turbo Air. Concealed damage must be reported within 24 hours of receiving unit. Bill of lading will be requested faxed to claim department. Pictures may be requested of unit and crating.

LOCATION OF BAKERY CASE

Installation clearance:

86 inch at the top, 20 inch at the rear and 12 inch at the each side.

! CAUTION; Damage to case and glass can result if pushed on. Do not push curved glass, end glass, doors or door frames.

Do not place Bakery Case in the following locations; near source of heat, excessive air movement, open doors, and direct sunlight.

Move the bakery case to the final location before removing shipping skid.

Condenser is in back of Bakery Case. Do not block inlet.

LEVELING OF BAKERY CASE

Four leveling legs are provided for leveling Bakery Case.

Use a leveler to make sure unit is leveled on all four corners.

If unit is not leveled drainage of water will not drain properly and doors will not close properly. Leveling legs can be adjusted accordingly.

PACKAGING MATERIAL

Remove all tape that holds lift up glass and doors in place. Some residue will be left and this can be removed with glass cleaner.

Remove all plastic ties that hold shelves and brackets for shelves.

LIGHTS

Make sure lights are in their lamp holders. Also make sure plugs for lamp holders are completely plugged in. If they are loose it may cause lamp holder to burn.

SHELVES

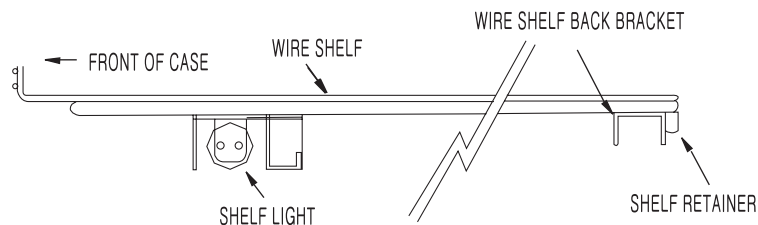
To install shelves in desired position front glass must be open and rear doors removed.

Remove doors by lifting upwards and then out of bottom track one at a time. Put doors in a safe location. Lift front glass upwards till fully open.

Where shelf height is desired install the shelf support in shelf standard slot (see drawing)



Install shelves on rear shelf support as shown. Curved part of shelf must be toward rear of case if not air flow will be blocked. Snap shelf into retainer clip on the shelf support, this keeps shelf from moving (see drawing)



After installing all shelves close front glass and reinstall doors.

ELECTRICAL INFORMATION

!!! BAKERY CASE MUST BE GROUNDED

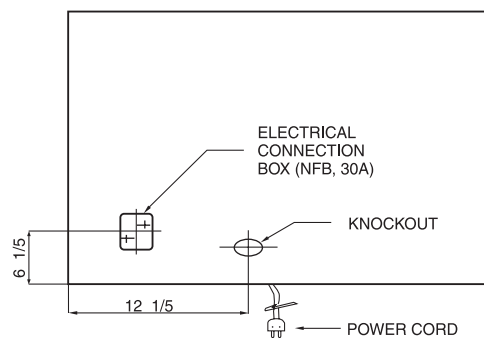
Only a licensed electrician must install all electrical on Bakery Case.

All electrical must be done in accordance with applicable electrical standards.

A dedicated breaker is to be used for each Bakery Case.

Electrical must be grounded upon installation

An access hole is provided thru base of case for running electrical up through floor. Also a hole is provided in the back of unit to run electrical. Unit is designed to be hardwired by electrician. Electrical data is located next to electrical junction box (see drawing)



The Bakery Case comes with a power with a power cord. Cord is 9.8 feet long. The plug is a _____.

!!! Improper electrical connections can result in severe injury or death.

!!! Do not operate Bakery Case with panels or grill removed.

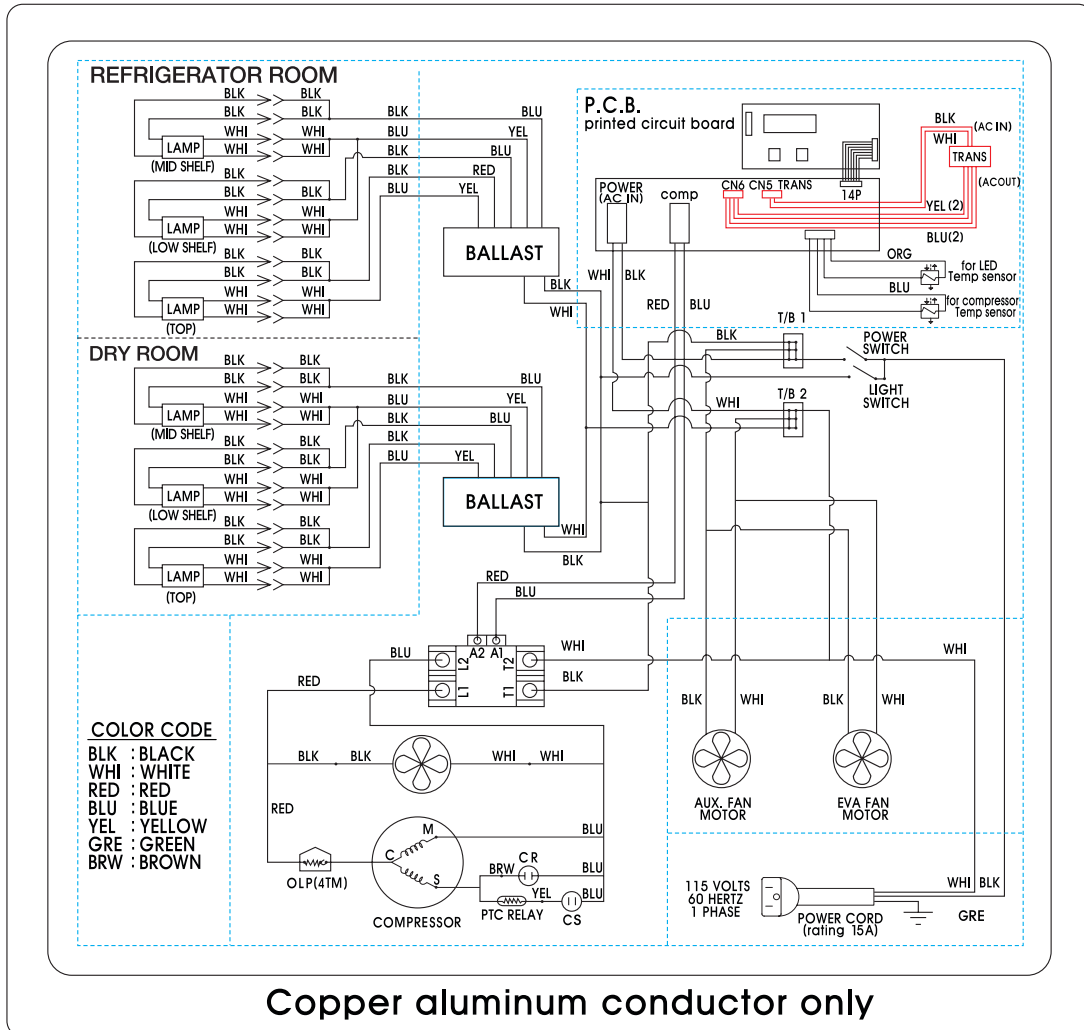
There are two back panels.

Right side panel has light switch, power switch, thermostat, and thermometer. Also compressor service ports, electrical condensate drain pan, fuses, and main board are accessible.

Left side panel allows access to electrical connection box, ballast, and also allows condenser unit to be pulled out.

Front panel is removable to have access to fans.

WIRING DIAGRAM(TCB-5R)



Copper aluminum conductor only

OPERATING INSTRUCTIONS

After installing unit and all electrical to Bakery Case, unit is ready to start up.

CONTROLS

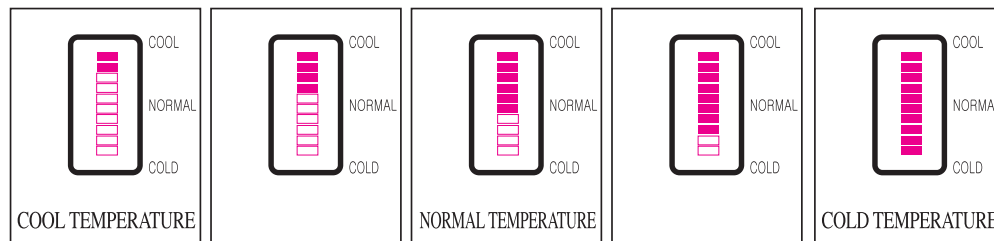
POWER SWITCH: It is labeled with on/off position. It controls power to the entire Bakery Case.

LIGHT SWITCH: The switch controls the power to the lighting circuit. The switch rocker is red in the “on” position, black in the “off” position.

TEMPERATURE CONTROL:

TCB-5R

1. The controller(thermostat) is located at the right inside of the unit.
2. The factory setting for the control is Normal
3. To lower temperature, depress down button to increase temperature, depress up button
4. This product is for controlling temperature from 38 °F to 55°F



5. The thermostat controls compressor's on/off by sensing inside temperature.

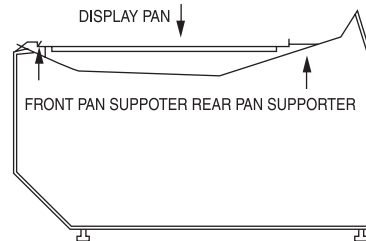
THERMOMETER: Display changes temperature approximately every two seconds.

NOTE:

Before placing goods to Bakery Case wait for unit to reach desired temperature. Product must be cold before placing in Bakery Case.

ANTI MOISTURE FANS: These fans run continuously when power switch is on. Two fans are at the front bottom of unit. The fans blow warm air through vents and prevent front glass from getting moisture. Do not block vents because front glass will get moisture.

HOW TO PLACE PRODUCT: Check that display pans are positioned correctly before placing goods in Bakery Case(see drawing). Do not overstock shelves. Display pans should not hang over shelf. This will cause pan to block air flow and Bakery Case will warm up in temperature. This will cause product to spoil.



SHELF PLACEMENT:

The shelves can be installed slanted or straight. To make the shelf slanted do the following;

- a. Shelf needs to be removed from shelf support.
- b. Shelf support needs to be held at each end.
- c. Shelf support needs to be lifted at the back till bracket can be inserted into shelf standard slots.

Refer to drawing of pages 5.

ADJUSTING SHELF LEVEL

Shelves can be adjusted up or down. To move shelves do the following;

- a. Lights must be turned off.
- b. Grasp plug for light cord and unplug.
- c. Shelves must be removed from shelf support.
- d. Hold onto each end of shelf support.
- e. Shelf support needs to be moved up until it can be removed from shelf standard.
- f. Shelf can be repositioned in increments of two inches.

REPLACEMENT OF LIGHT

When replacing lights use same model of light installed in Bakery Case. Using wrong wattage can cause ballast to burn out or light not work.

To remove light there are two lamp holders one at each end of light. One has a spring in socket. Push light toward spring loaded lamp holder till other end of light pops out of other lamp holder.

Remove light from lamp shield and insert new light into lamp shield. Reinsert into lamp holders. Never install lamp without shield.

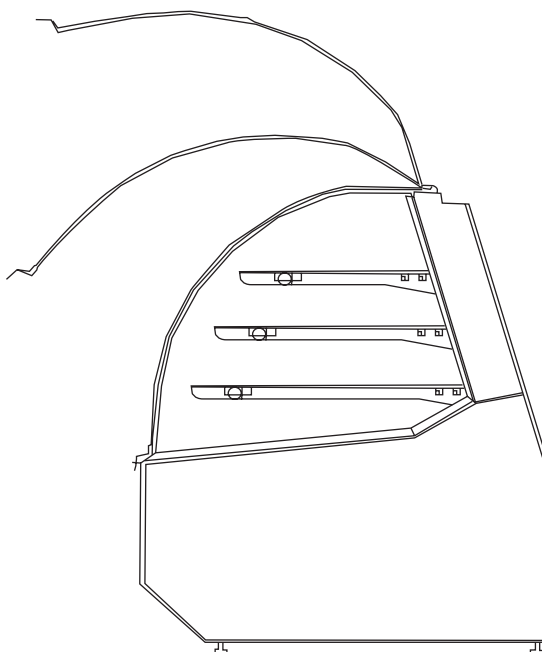
FRONT CURVED GLASS

!!!WARNING

The Bakery Case is not intended for self serve. Do not let customers lift front glass. Only trained personnel should lift curved glass.

Under normal use hinges will last many years. If any of the following problems occur, please call Customer Service;

- a. Front curved glass closes rapidly.
- b. Front curved glass does not open easily.
- c. Front curved glass does not stay open, when in the opened position.



MAINTENANCE & CLEANING

!!! Always before cleaning Bakery Case unit should be turned off at power switch and lights should be turned off. Removed product and allow display to reach room temperature.

!!! Do not wet electrical components.

BAKERY CASE SHOULD BE CLEANED THOROUGHLY BEFORE FIRST USE.

CLEANING DAILY

- a. Do not clean with detergents. Use a mild soap.
- b. If door track is dirty remove doors. Keeping door track clean allows for doors to slide easily. Food silicone can be sprayed on rollers and track.
- c. Clean glass with window cleaner.
- d. Exterior and interior can be cleaned with warm water and mild detergent.
- e. Wipe with damp cloth. Do not leave residue of soap.

CLEANING WEEKLY

This procedure is necessary to keep a sanitized Bakery Case. Procedure may have to be done more than once a week if necessary.

EXTERIOR CLEANING

- a. Clean front glass with window cleaner.
- b. Clean exterior with warm soapy water. Wipe down with damp cloth.

INTERIOR CLEANING

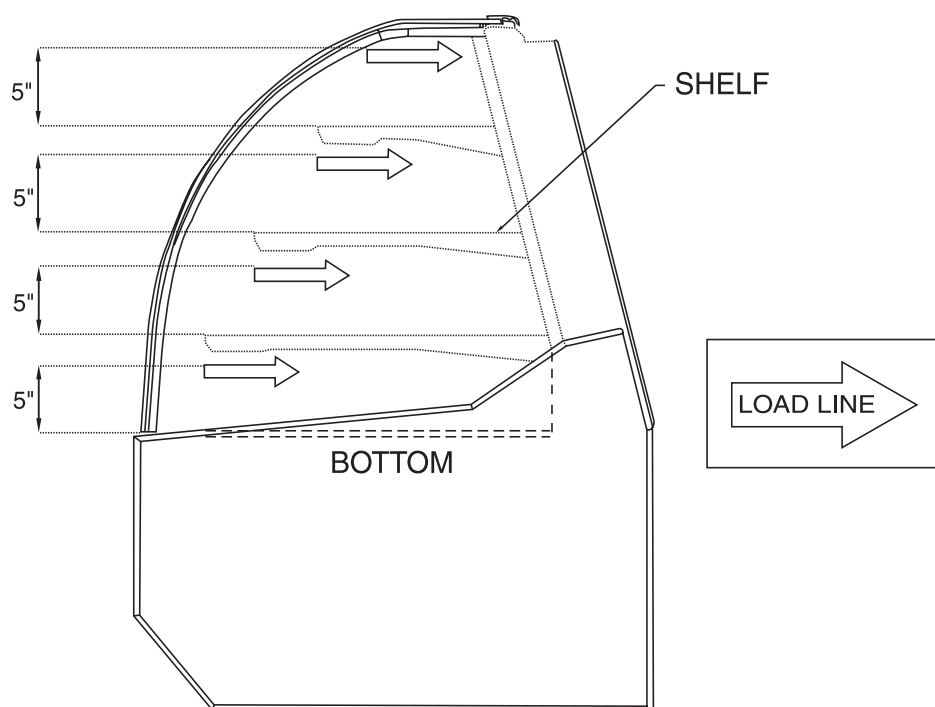
- a. Remove both doors by lifting up and out.
- b. Raise front curved glass all the way up.
- c. Grasp plug for light cord and unplug.
- d. Remove shelves.
- e. Remove shelf support from shelf standard slots.
- f. Remove both thumb screws holding shelf standard and removed shelf standards.
- g. Remove display pans.
- h. Wash all parts with warm soapy water and rinse. Allow to dry.
- i. Clean inside of unit with warm soapy water. Wipe down with damp cloth. Allow to dry.
- j. Put unit back together in reverse order starting with step.

MAINTENANCE CONTINUED

CONDENSER COIL

- Turn off unit at power switch. Disconnect power to unit.
- Remove rear grill.
- Clean condenser by either brushing off with stiff wire brush or vacuuming with wet/dry vacuum. Condenser is black and looks like a radiator. This should be cleaned every month or as necessary. Keeping clean allows for maximum cooling of unit and long life of compressor.

Load Line



SIDE DRAW

" If food is placed above the load line, it will not be adequately refrigerated.
Please do not load food above load line"

TROUBLE SHOOTING

For any problems with BAKERY-Case please refer to following check list. If still having a problem or need to ask a question please call Customer Service at 1-800-381-7770 or 1-800-627-0032

BAKERY CASE NOT WORKING

- a. Check to see if breaker is not tripped.
- b. Check power going to unit.
- c. Check thermostat is set at on position.
- d. Check power switch is on.

BAKERY CASE WARM

- a. Check condenser to see if clean.
- b. Check that doors and curved glass are closed tightly.
- c. Check that shelves are installed properly.
- d. Check that air flow inside of unit is not blocked with product or pans.
- e. Check that evaporator coil does not have frost build up. If doors are left open frost will accumulate. To defrost turn off thermostat about one hour to melt off frost. Evaporator coil comes with thermostat for antifreeze.

GLASS SWEATING

- a. Check that there is nothing on top of curved glass.
- b. Check to see that there are no overhead vents, air ducts, or fans.
- c. Check temperature of room. Bakery Case is designed to operate in an ambient temperature of 75 degrees Fahrenheit and 55% relative humidity.
- d. Check temperature of Bakery Case. Unit should be between 38 and 42 degrees.
- e. Check that air is flowing inside front of Bakery Case. If there is no air flow or air is felt on only one side this is due to anti moisture fans are not working. Customer Service needs to be called.

LIGHTS NOT WORKING

- a. Check that light switch is on.
- b. Check that lamp cord is plugged in correctly.
- c. Check that light is in lamp holder correctly.

WARRANTY STATEMENT

● WARRANTY CLAIMS

All claims for parts or labor must be made directly through Turbo Air.

All claims should include : model number of the unit, the serial number of the cabinet, proof of purchase, date of installation, and all pertinent information supporting the alleged defect.

In case of compressor replacement under warranty, either compressor or compressor tag must be returned to Turbo Air along with above listed information.

Failure to comply with warranty policies will result in voiding claims.

● ONE YEAR PARTS & LABOR WARRANTY

Turbo Air warrants all new refrigerated components, the cabinet and all parts, to be free from defects in materials or workmanship, under normal and proper use and maintenance service as specified by Turbo Air and upon proper installation and start-up in accordance with the instruction packet supplied with each Turbo Air unit. Turbo Air's obligation under this warranty is limited to a period of one (1) year from the date of original installation or 15 months after shipment date from Turbo Air, whichever occurs first.

Any part, covered under this warrant, that are determined by Turbo Air to have been defective within one (1) year of original installation or fifteen (15) months after shipment date from manufacturer, whichever occurs first, is limited to the repair or replacement, including labor charges, of defective parts or assemblies. The labor warranty shall include standard straight time labor charges only and reasonable travel time, as determined by Turbo Air.

● ADDITIONAL FOUR YEAR COMPRESSOR WARRANTY

In addition to the one (1) year warranty stated above, Turbo Air warrants its hermetically sealed compressor to be free from defects in both material and workmanship under normal and proper use and maintenance service for a period of four (4) additional year from the date of original installation, but not to exceed five (5) years and three (3) months after shipment from the manufacturer. Compressor determined by Turbo Air to have been defective within this extended period will, at Turbo Air's discretion, be either repaired or replaced with a compressor or compressor parts of similar design and capacity.

The four (4) year extended compressor warranty applies only to hermetically sealed parts of the compressor and does not apply to any other parts or components, including, but not limited to, cabinet, paint finish, temperature control, refrigerant, metering device, driers, motor starting equipment, fan assembly or and other electrical components, etcetera.

● 404A/134A COMPRESSOR WARRANTY

The four-year compressor warranty detailed above will be void if the following procedure is not carefully adhered to :

1. This system contains R404A or R134A refrigerant and polyol ester lubricant. The polyol ester lubricant has rapid moisture absorbing qualities.
2. Drier replacement is very important and must be changed when a system is opened for servicing. A620 copper drier or better is highly recommended.
3. Micron level vacuums must be achieved to insure low moisture levels in the system. 500 microns or lower must be obtained.
4. When compressor is grounded, suction drier and 620 drer or better must be replaced.
5. Compressor must be obtained through Turbo Air, unless otherwise specified in writing, through Turbo Air's warranty department.

●WHAT IS NOT COVERED BY THIS WARRANTY

Turbo Air's sole obligation under this warranty is limited to either repair or replacement of parts, subject to the additional limitations below. This warranty neither assumes nor authorizes any person to assume obligations other than those expressly covered by this warranty.

NO CONSEQUENTIAL DAMAGES. TURBO AIR IS NOT RESPONSIBLE FOR ECONOMIC LOSS; PROFIT LOSS; OR SPECIAL, INDIRECT, OR CONSEQUENTIAL DAMAGES, INCLUDING WITHOUT LIMITATION, LOSSES, OR DAMAGES ARISING FROM FOOD OR PRODUCT SPOILAGE REGARDLESS OF WHETHER OR NOT THEY RESULT FROM REFRIGERATION FAILURE. WARRANTY IS NOT TRANSFERABLE. This warranty is not assignable and applies only in favor of the original purchaser / user to whom delivered. ANY SUCH ASSIGNMENT OR TRANSFER SHALL VOID THE WARRANTIES HEREIN AND SHALL VOID ALL WARRANTIES, EXPRESS OR IMPLIED, INCLUDING ANY WARRANTY OF MERCHANTABILITY OR LABOR COVERAGE FOR COMPONENT FAILURE OR OTHER THE WARRANTY PACKET PROVIDED WITH THE UNIT.

ALTERATION, NEGLIGENCE, ABUSE, MISUSE, ACCIDENT, DAMAGE DURING TRANSIT OR INSTALLATION, FIRE, FOOD, ACTS OF GOD. Turbo Air is not responsible for the repair or replacement of any parts that Turbo Air determines have been subjected after the date of manufacture to alteration, neglect, abuse, misuse, accident, damage during transit or installation, fire, flood, or act of GOD.

IMPROPER ELECTRICAL CONNECTIONS. TURBO AIR IS NOT RESPONSIBLE FOR THE REPAIR OR REPLACEMENT OF FAILED OR DAMAGED COMPONENTS RESULTING FROM ELECTRICAL POWER FAILURE, THE USE OF EXTENSION CORDS, LOW VOLTAGE, OR VOLTAGE DROPS TO THE UNIT. NO IMPLIED WARRANTY OF MERCHANTABILITY OR FITNESS FOR A PARTICULAR PURPOSE : THERE ARE NO OTHER WARRANTIES, EXPRESSED, IMPLIED OR STATUTORY, EXCEPT THE ONE (1) YEAR PARTS & LABOR WARRANTY AND THE ADDITIONAL FOUR (4) YEAR COMPRESSOR WARRANTY AS DESCRIBED ABOVE. THESE WARRANTIES ARE EXCLUSIVE AND IN LIEU OF ALL OTHER WARRANTIES, INCLUDING IMPLIED WARRANTY AND MERCHANTABILITY OR FITNESS FOR A PARTICULAR PURPOSE. THERE ARE NO WARRANTIES, WHICH EXTEND BEYOND THE DESCRIPTION ON THE FACE HEREOF.

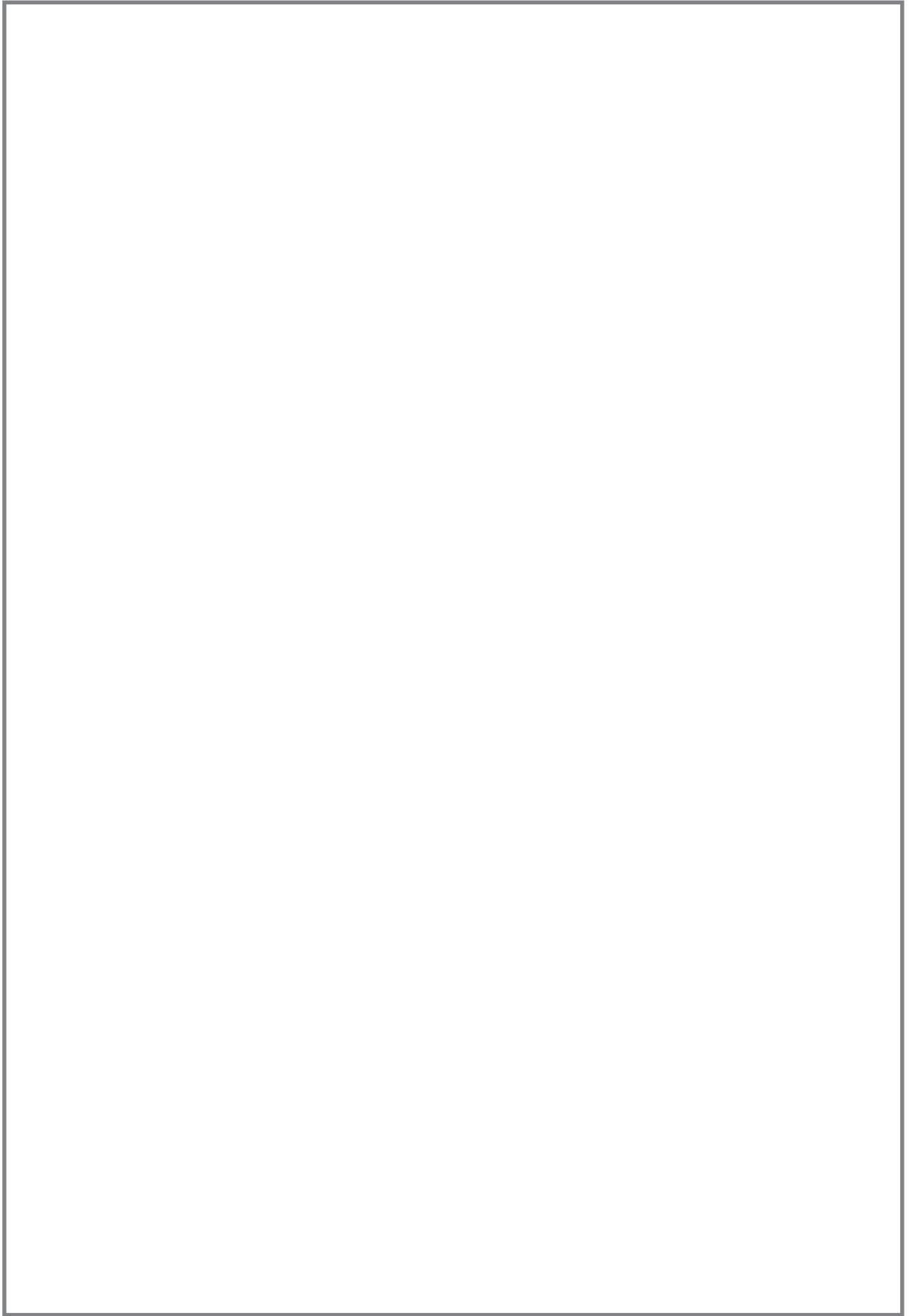
Outside U.S. and Canada : This warranty does not apply to, and Turbo Air is not responsible for, any warranty claims made on products sold or used outside the continent of the United States and Canada.

CHANGES MADE TO WARRANTY COMMENCED ON 11/01/2007

REFRIGERATOR MANUFACTURER
Turbo air

1250 Victoria street
Carson, CA 90746
U.S.A & Canada Toll Free 1-800-627-0032
For Service 1-800-381-7770
TEL : 310-900-1000
FAX : 310-900-1077
<http://www.turboairinc.com>





Free Manuals Download Website

<http://myh66.com>

<http://usermanuals.us>

<http://www.somanuals.com>

<http://www.4manuals.cc>

<http://www.manual-lib.com>

<http://www.404manual.com>

<http://www.luxmanual.com>

<http://aubethermostatmanual.com>

Golf course search by state

<http://golfingnear.com>

Email search by domain

<http://emailbydomain.com>

Auto manuals search

<http://auto.somanuals.com>

TV manuals search

<http://tv.somanuals.com>