



# THE TORNADO®

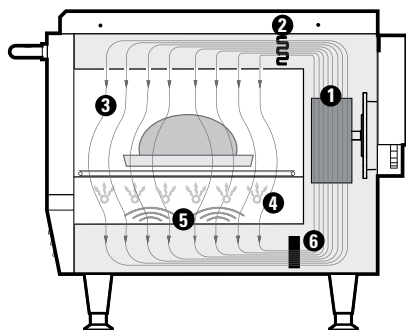


## PERFORMANCE

- The Tornado® evenly and consistently toasts, browns and crisps food up to 12X faster than traditional cooking methods, resulting in a high level of throughput without compromising quality

## VENTILATION

- UL (KNLZ) listed for ventless operation.†
- EPA 202 test (8 hr):
  - Product: Pepperoni Pizzas
  - Results: 0.21 mg/m<sup>3</sup>
  - Ventless Requirement: <5.00 mg/m<sup>3</sup>
- Internal catalytic filtration to limit smoke, grease, and odor emissions.



1. Blower Motor
2. Impingement Heater
3. Impinged Air
4. Bottom Browning Element
5. Microwave Bursts
6. Catalytic Converter

Project \_\_\_\_\_

Item No. \_\_\_\_\_

Quantity \_\_\_\_\_

## EXTERIOR CONSTRUCTION

- 430 stainless steel front, top, sides and back
- 4" (102 mm) adjustable legs
- Cool to the touch pull down door with microwave seal

## INTERIOR CONSTRUCTION

- 304 stainless steel interior
- Fully insulated cook chamber
- Removable / variable cooking surfaces
- Exposed bottom browning element

## STANDARD FEATURES

- Integral recirculating catalytic converter for UL (KNLZ) listed ventless operation
- Variable-speed High h recirculating impingement airflow system
- Variable cooking surfaces (racks, stones and platters)
- Independently-controlled bottom browning element
- Smart Voltage Sensor Technology\* (U.S. only)
- Smart menu system capable of storing up to 128 recipes
- Built-in self-diagnostics for monitoring oven components and performance
- Stackable design (requires stacking kit)
- Manual snooze mode
- Includes plug and cord (6 ft. nominal)
- Smart card compatible
- Warranty – 1 year parts and labor

## COMES WITH STANDARD ACCESSORIES

- 1 Aluminum Paddle (NGC-1478)
- 1 Bottle Oven Cleaner (103180)
- 1 Bottle Oven Guard (103181)
- 2 Trigger Sprayers (103182)
- 2 PTFE Baskets (100011)



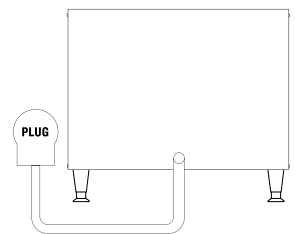
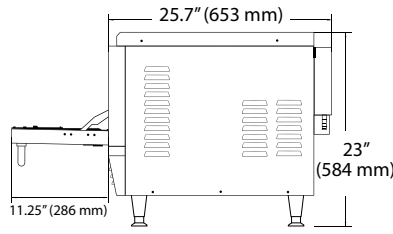
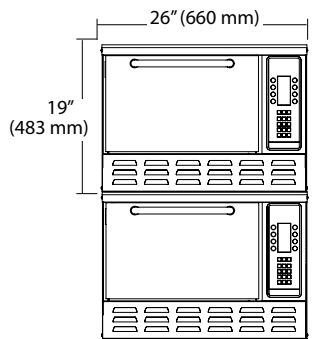
This product conforms to the ventilation recommendations set forth by NFPA96 using EPA202 test method.

\* Smart Voltage Sensor Technology does not compensate for lack of or over voltage situations. It is the responsibility of the owner to supply voltage to the unit according to the specifications on the back of this sheet.

† Ventless certification is for all food items except for foods classified as "fatty raw proteins." Such foods include bone-in, skin-on chicken, raw hamburger meat, raw bacon, raw sausage, steaks, etc. If cooking these types of foods, consult local HVAC codes and authorities to ensure compliance with ventilation requirements.

Ultimate ventless allowance is dependent upon AHJ approval, as some jurisdictions may not recognize the UL certification or application. If you have questions regarding ventless certifications or local codes please email [ventless.help@turbochef.com](mailto:ventless.help@turbochef.com)

TurboChef reserves the right to make substitutions of components or change specifications without prior notice.



**DIMENSIONS**

Single Units		
Height	19"	483 mm
on legs	23"	584 mm
Width	26"	660 mm
Depth	25.7"	653 mm
with handle	28.2"	716 mm
Weight	190 lbs.	86 kg
Stacked Units (Stacking Kit Required)		
Height	38"	965 mm
Width	26"	660 mm
Depth	25.7"	653 mm
with handle	28.2"	716 mm
Weight	380 lbs.	172 kg
Cook Chamber		
Height	8"	203 mm
Width	15.5"	394 mm
Depth	14.7"	373 mm
Volume	1.05 cu.ft.	29.9 liters
Wall Clearance (Oven not intended for built-in installation)		
Top	4"	102 mm
Sides	2"	51 mm

**ELECTRICAL SPECIFICATIONS**

NORTH AMERICA		
NGC (NGC-1180-1)		
Phase	1 Phase	
Voltage	208/240 VAC	
Frequency	60 Hz	
Current	30 amp	
Max Circuit Requirement	30 amp	
Plug/Cord	NEMA 6-30P; 1.5m, H07RN-F	
Max Input	5990/6675 watts	
Microwave Input Power	3500 watts	
NGCBK (NGC-1180-1K-2020)		
Phase	1 Phase	
Voltage	220 VAC	
Frequency	60 Hz	
Current	30 amp	
Max Circuit Requirement	30 amp	
Plug	IEC 309, 3-pin, 32 amp	
Max Input	6700 watts	
Microwave Input Power	3500 watts	
EUROPE/ASIA-PACIFIC		
NGCEW (NGC-1180-1W for standard) NGCEW (NGC-1180-1W-2024 for Australia/New Zealand)* NGCKW (NGC-1180-1W-2004 for South Korea)**		
Phase	3 Phase	
Voltage	400 VAC	
Frequency	50 Hz or 60 Hz**	
Current	16 amp	

Max Circuit Requirement	20 amp	
Plug	IEC 309, 5-pin, 32 amp	
Max Input	10500 watts	
Microwave Input Power	3500 watts	
NGCED (NGC-1180-1D)		
Phase	3 Phase	
Voltage	230 VAC	
Frequency	50 Hz	
Current	30 amp	
Max Circuit Requirement	32 amp	
Plug	IEC 309, 4-pin, 32 amp	
Max Input	10500 watts	
Microwave Input Power	3500 watts	
NGCUK (NGC-1180-1K)		
Phase	1 Phase	
Voltage	230 VAC	
Frequency	50 Hz	
Current	30 amp	
Max Circuit Requirement	32 amp	
Plug	IEC 309, 3-pin, 32 amp	
Max Input	6700 watts	
Microwave Input Power	3500 watts	
JAPAN		
NGCJD - 50Hz/ 3 Phase (NGC-1180-1D-2005-1) NGCJD - 60Hz/ 3 Phase (NGC-1180-1D-2005-2) NGCJK - 50Hz/ 1 Phase (NGC-1180-1K-2005-3) NGCJK - 60Hz/ 1 Phase (NGC-1180-1K-2005-4)		
Phase	1 or 3 Phase	
Voltage	200 VAC	
Frequency	50 or 60 Hz	
Current	30 amp	
Max Circuit Requirement	30 amp	
Plug	PSE-marked, 3 or 4-blade, 30 amp	
Max Input	10500 or 6700 watts	
Microwave Input Power	3500 watts	

**SHIPPING INFORMATION**

**U.S.:** All ovens shipped within the U.S. are packaged in a double-wall corrugated box banded to a wooden skid.  
**International:** All International ovens shipped via Air or Less than Container Loads are packaged in wooden crates.  
 Box size: 34" x 30" x 30" (864 mm x 762 mm x 762 mm)  
 Crate size: 37" x 33" x 34" (940 mm x 838 mm x 864 mm)  
 Item class: 85 NMFC #26770 HS code 8419.81  
 Approximate boxed weight: 260 lb. (118 kg)  
 Approximate crated weight: 320 lb. (145 kg)  
 Minimum entry clearance required for box: 30.5" (775 mm)  
 Minimum entry clearance required for crate: 33.5" (851 mm)

\*All AU-New Zealand ovens with clips allow for 5 pin plug.  
 TurboChef recommends installing a type D circuit breaker for all installations.

**TurboChef Global Operations**  
 2801 Trade Center Drive / Carrollton, Texas 75007 USA  
 US: 800.90TURBO (800.908.8726) / International: +1 214.379.6000  
 Fax: +1 214.379.6073 / turbochef.com

## Free Manuals Download Website

<http://myh66.com>

<http://usermanuals.us>

<http://www.somanuals.com>

<http://www.4manuals.cc>

<http://www.manual-lib.com>

<http://www.404manual.com>

<http://www.luxmanual.com>

<http://aubethermostatmanual.com>

Golf course search by state

<http://golfingnear.com>

Email search by domain

<http://emailbydomain.com>

Auto manuals search

<http://auto.somanuals.com>

TV manuals search

<http://tv.somanuals.com>