



Tiger K8WE



S2877

Version 1.00

Copyright

Copyright © TYAN Computer Corporation, 2005-2006. All rights reserved. No part of this manual may be reproduced or translated without prior written consent from TYAN Computer Corp.

Trademark

All registered and unregistered trademarks and company names contained in this manual are property of their respective owners including, but not limited to the following.

TYAN, Taro and Tiger K8WE are trademarks of TYAN Computer Corporation.
AMD, Opteron, and combinations thereof are trademarks of AMD Corporation.
Nvidia and nForce are trademarks of Nvidia Corporation
Microsoft, Windows are trademarks of Microsoft Corporation.
SuSE, is a trademark of SuSE AG.
Linux is a trademark of Linus Torvalds
IBM, PC, AT, and PS/2 are trademarks of IBM Corporation.
Winbond is a trademark of Winbond Electronics Corporation.

Notice

Information contained in this document is furnished by TYAN Computer Corporation and has been reviewed for accuracy and reliability prior to printing. TYAN assumes no liability whatsoever, and disclaims any express or implied warranty, relating to sale and/or use of TYAN products including liability or warranties relating to fitness for a particular purpose or merchantability. TYAN retains the right to make changes to product descriptions and/or specifications at any time, without notice. In no event will TYAN be held liable for any direct or indirect, incidental or consequential damage, loss of use, loss of data or other malady resulting from errors or inaccuracies of information contained in this document.

Table of Contents

Chapter 1: Introduction	Page 4
1.1 Congratulations	Page 4
1.2 Hardware Specifications	Page 4
1.3 Software Specifications	Page 6
Chapter 2: Board Installation	Page 8
2.1 Board Image	Page 9
2.2 Block Diagram	Page 10
2.3 Board Parts, Jumpers and Connectors	Page 11
2.3.1 Front Panel Header: J139	Page 13
2.3.2 Clear CMOS Header: J112	Page 13
2.3.3 Chassis Intrusion Header: J77	Page 14
2.3.4 *FireWire (IEEE1394A) Enable/Disable Jumper: *J147	Page 14
2.3.5 *FireWire (IEEE1394A) Pin Header: *J148/*J149	Page 15
2.3.6 Buzzer/External Speaker Header: J14	Page 15
2.3.7 COM2 Connector: J42	Page 16
2.3.8 USB 2.0 Front Panel Headers: J25/J140	Page 16
2.3.9 Keyboard Lock Connector: J13	Page 17
2.3.10 Gigabit LAN1/**LAN2 Front Panel Header: J2/ **J3	Page 17
2.3.11 **VGA (ATI Rage XL) Enable/ Disable Jumper: **J85	Page 18
2.3.12 **BCM5705 Gigabit LAN Enable/ Disable Jumper: **J152	Page 18
2.3.13 *Front Panel Audio Header: *P53	Page 19
2.3.14 CPU FAN Connector: J9/J37	Page 19
2.3.15 Chassis 4-pin FAN Connector: J47	Page 20
2.3.16 Chassis 3-pin FAN Connectors: J36/J10	Page 20
2.3.17 3-pin or 4-pin fan support selection jumper: J5	Page 21
2.4 Installing the Processor(s)	Page 22
2.5 Heatsink Retention Frame Installation	Page 23
2.6 Thermal Interface Material	Page 24
2.7 Heatsink Installation Procedures	Page 25
2.8 Finishing Installing Heatsink	Page 27
2.9 Tips on Installing Motherboard in Chassis	Page 28
2.10 Installing the Memory	Page 29
2.11 Attaching Drive Cables	Page 32
2.12 Installing Add-In Cards	Page 34
2.13 Connecting External Devices	Page 35
2.14 Tips on modifying I/O shielding for ANRF and G2NR version	Page 36
2.15 Installing the Power Supply	Page 36
2.16 Finishing Up	Page 37
Chapter 3: BIOS	Page 39
3.1 BIOS Setup Utility	Page 39
3.2 BIOS Menu Bar	Page 40
3.3 BIOS Legend Bar	Page 40

3.4	Getting Help	Page 40
3.5	BIOS Main Menu	Page 41
3.6	BIOS Advanced Menu	Page 42
3.6.1	Hammer Configuration Sub-Menu	Page 43
3.6.2	Integrated Devices Sub-Menu	Page 44
3.6.3	PCI Configuration Sub-Menu	Page 46
3.6.4	IDE Configuration Sub-Menu	Page 51
3.6.5	Floppy Configuration Sub-Menu	Page 53
3.6.6	I/O Device Configuration Sub-Menu	Page 54
3.6.7	Hardware Monitor Sub-Menu	Page 55
3.6.8	Console Redirection Sub-Menu	Page 56
3.6.9	Watchdog Timer Option Sub-Menu	Page 57
3.7	BIOS Memory Menu	Page 58
3.8	Security Menu	Page 59
3.9	BIOS Boot Menu	Page 60
3.9.1	Boot Device Priority	Page 61
3.10	Power Menu	Page 62
3.11	BIOS Exit Menu	Page 64
Chapter 4: Diagnostics		Page 66
4.1	Beep Codes	Page 66
4.2	Flash Utility	Page 66
4.3	BIOS Post Code	Page 67
Glossary		Page 70
Technical Support		Page 76

Chapter 1: Introduction

1.1 - Congratulations

You have purchased one of the most powerful entry-level workstation solutions - the Tyan Tiger K8WE (S2877) - based on NVIDIA nForce(tm) Professional Media and Communications Processor (MCP).

Designed to support up to two AMD Opteron(tm) 200 series processors, and up to 24GB of Registered DDR400 memory, the S2877 is ideal for video and graphics development applications that demand the highest level of performance from the CPU, memory, and video subsystems.

1.2 - Hardware Specifications

Processor

- Supports one or two AMD Opteron™ 2xx processors
- Two onboard 4-phase VRMs
- Dual HyperTransport™ links between two CPU, support up to 6.4GB/s data transfer rate each link
- 144-bit DDR interface (128-bit data + 16 bit ECC)
- Scalable 32bit and 64bit computing
- Secure computing with Nx register support

Chipset

- Nvidia nForce Professional 2200 (CK8-04)-connected to CPU1
- Winbond W83627HF Super I/O
- One Analog Device ADT7468 Hardware Monitoring IC

Memory

- 128-bit dual channel (interleaved) memory bus
- Total Six DDR-1 DIMM sockets (Four for CPU1&Two for CPU2)
- Supports up to 24GB Registered

Integrated ATA-133 (from nForce Professional 2200)

- Two ATA-133 IDE Channel for up to four devices

Integrated SATAII Generation 1 Controllers (from nForce Professional 2200)

- Two integrated dual port SATA II controllers
- Four SATA connectors support up to four drives
- 3 Gb/s per direction per channel
- NvRAID v2.0 support
- Supports RAID 0, 1, 0+1 and JBOD

Integrated LAN Controller

- One Broadcom® BCM5705 GbE LAN controller (G2NR version only)
 - One RJ-45 LAN connector with LEDs
 - One front panel LED headers
- One Marvell® 88E1111 GbE PHY
 - One RJ-45 LAN connectors with LEDs
 - One front panel LED headers
- Supports WOL and PXE

- DDR
- Supports ECC with CHIPKill technology
- Supports DDR400, DDR333, or DDR266

Expansion Slots

- Two x16 PCI Express expansion slots
- Slot 3 PCI-E x16 from nForce PRO 2200 with x4 signals
- Slot 5 PCI-E x16 from nForce PRO 2200 with x16 signals
- Four 32-bit 33Mhz PCI v2.3 (Slot 0, Slot 1, Slot 2 and Slot 4)
- Total of six usable slots

Integrated I/O Ports

- One floppy connector supports up to two drives
- Four USB 2.0 Ports (via cable)
- One COM port (via cable)
- Tyan 2 x 9 front-panel pin header

Back Panel I/O Ports

- Stacked PS/2 Mouse & Keyboard ports
- One 15-pin VGA port (G2NR version only)
- One 9-pin Serial port
- Two stacked RJ-45 with two USB2.0 ports (G2NR version only)
- One stacked RJ-45 with two USB2.0 ports (ANRF version only)
- Stacked two USB2.0 ports (ANRF version only)
- Stacked Mic-in/Line-In/Line-Out audio jacks

System Management

- Five fan headers support tachometer monitoring, three 4-pin fan support smart FAN control (PWM).

- Full Duplex Gigabit Ethernet support

Integrated FireWire (IEEE 1394A) Controller (ANRF version only)

- TI® TSB43AB22A IEEE 1394a PCI controller
- Two FireWire 1394 pin headers

Integrated Audio (ANRF version only)

- Realtek ALC655 6-channel CODEC
- 2 x 5 pin header for front panel audio connector
- CD-in connector
- Aux-in connector

Integrated 2D/3D Graphics (G2NR version only)

- ATI® RAGE XL™ PCI controller w/ 8MB memory

Form Factor

- ATX (12" x 9.75")

BIOS

- PhoenixBIOS® on 8Mbit LPC Flash ROM
- ACPI 2.0
- Serial Console Redirect
- USB device boot
- Power management: S0, S1, S4 and S5
- 48-bit LBA support
- Power Supply
- EPS12V Power Supply
- EPS12V/SSI v3.5 (24 + 8) power connectors

-
- Watchdog Timer support
 - Temperature, voltage and fan monitoring

1.3 - Software Specifications

OS (Operating System) Support

Windows 2000 Server

Windows 2000 Advanced Server

Windows XP 32bit

Windows XP 64bit+sp1

Windows 2003 Server

Windows 2003 Server 64bit

SuSE Enterprise Server 8.0 AMD64

SuSE 9.2 pro 32bit

SuSE 9.3 pro 32bit

TYAN reserves the right to add support or discontinue support for any OS with or without notice.

Remember to visit TYAN's website at <http://www.tyan.com>. There you can find information on all of TYAN's products with FAQs, manuals, and BIOS updates.

NOTES:

Chapter 2: Board Installation

Precautions: The Tiger K8WE supports SSI, EPS12V type power supplies (24pin + 8pin) and will not operate with any other types. For proper power supply installation procedures see page 36.

DO NOT USE ATX 2.x or ATXGES power supplies as they will damage the board and void your warranty.

How to install our products right... the first time

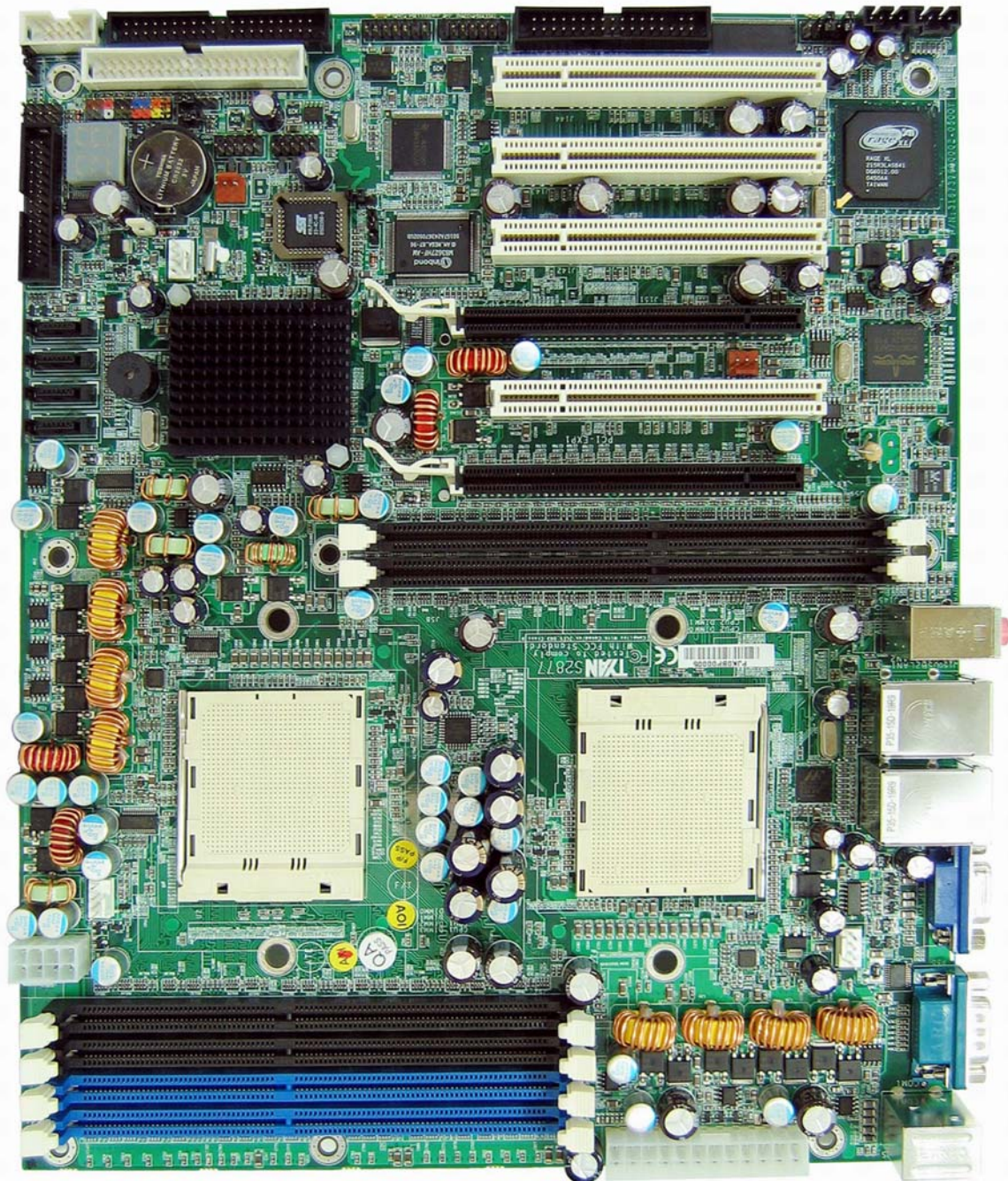
The first thing you should do is reading this user's manual. It contains important information that will make configuration and setup much easier. Here are some precautions you should take when installing your motherboard:

- (1) Ground yourself properly before removing your motherboard from the antistatic bag. Unplug the power from your computer power supply and then touch a safely grounded object to release static charge (i.e. power supply case). For the safest conditions, TYAN recommends wearing a static safety wrist strap.
- (2) Hold the motherboard by its edges and do not touch the bottom of the board, or flex the board in any way.
- (3) Avoid touching the motherboard components, IC chips, connectors, memory modules, and leads.
- (4) Place the motherboard on a grounded antistatic surface or on the antistatic bag that the board was shipped in.
- (5) Inspect the board for damage.

The following pages include details on how to install your motherboard into your chassis, as well as installing the processor, memory, disk drives and cables.

NOTE	DO NOT APPLY POWER TO THE BOARD IF IT HAS BEEN DAMAGED
-------------	---

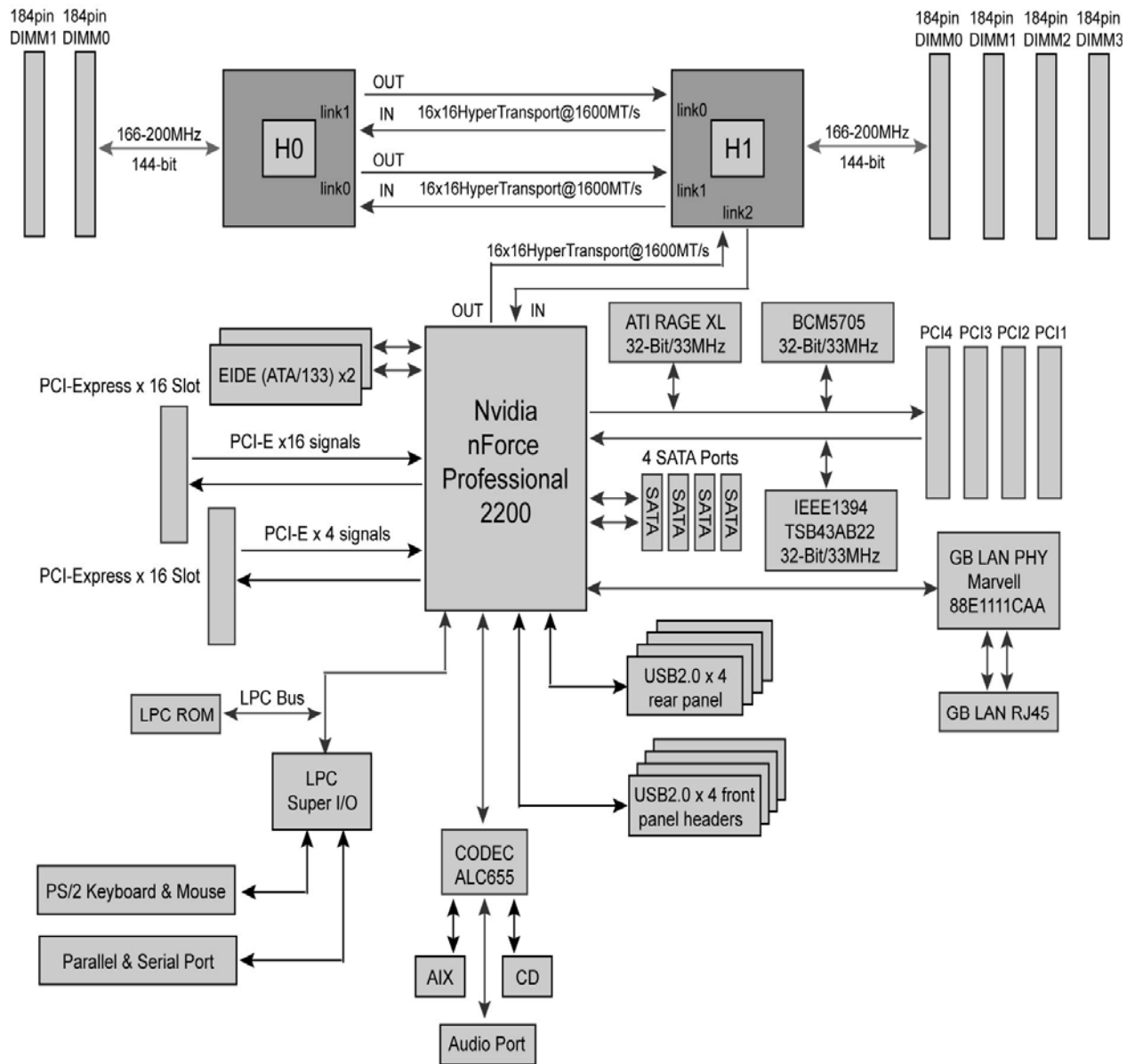
2.1- Board Image



This picture is representative of the latest board revision available at the time of publishing. The board you receive may or may not look exactly like the above picture.

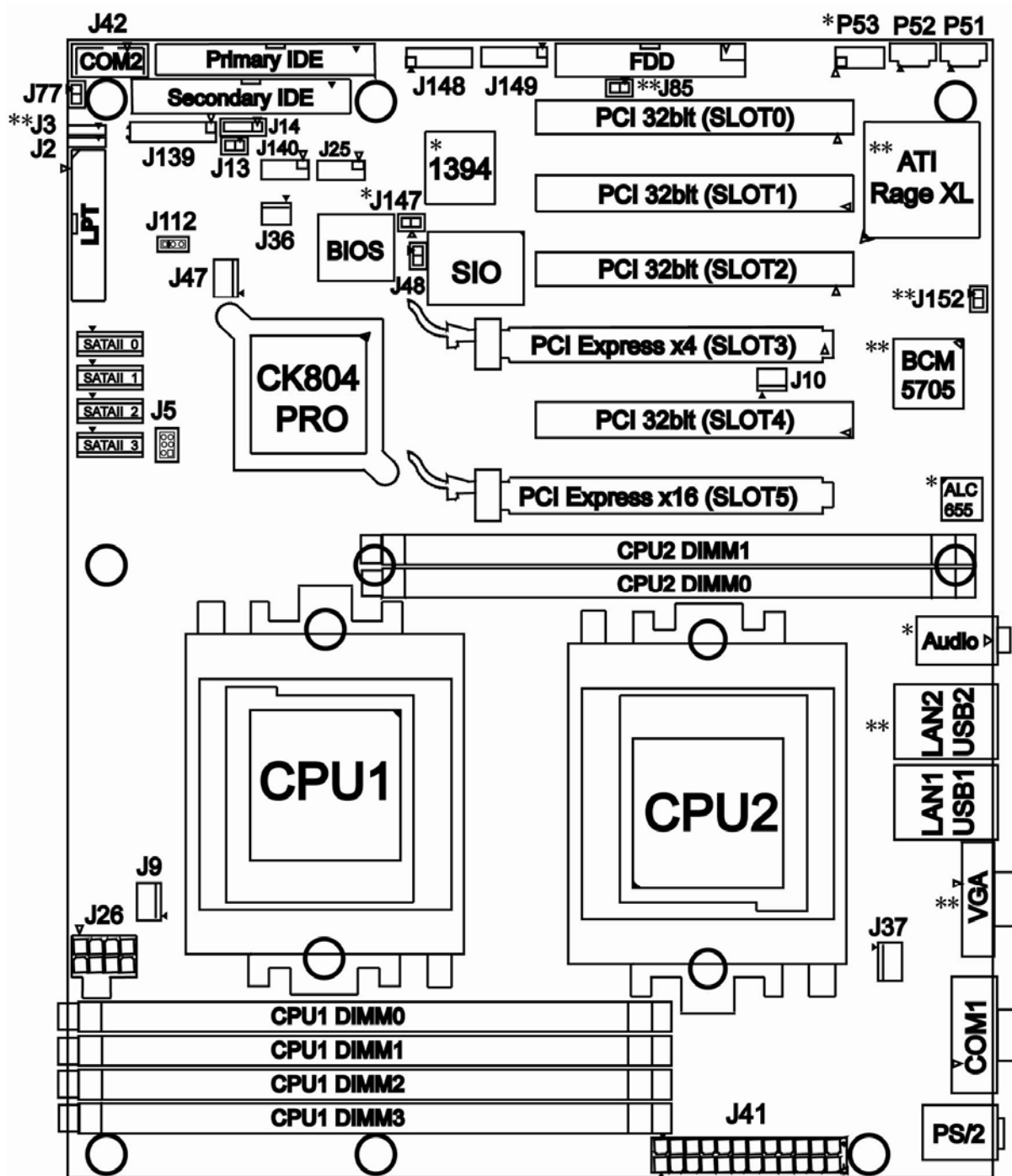
The following page includes details on the vital components of this motherboard.

2.2 - Block Diagram



Tiger K8WE (S2877) Block Diagram



2.3 - Board Parts, Jumpers and Connectors



This diagram is representative of the latest board revision available at the time of publishing. The board you receive may not look exactly like the above diagram.

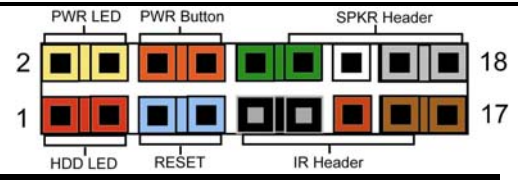
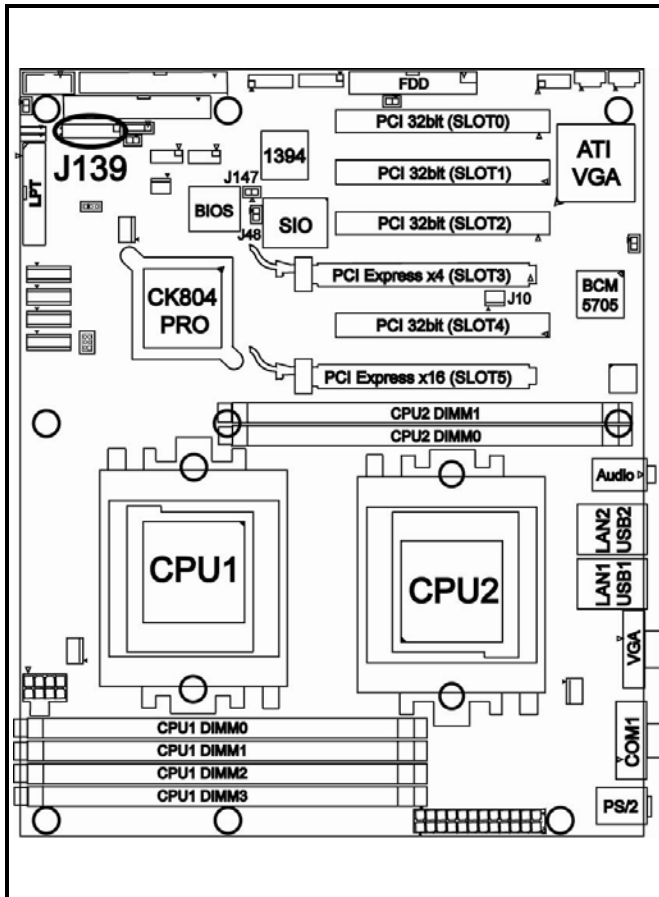
NOTE: * is only available on S2877ANRF version.
 ** is only available on S2877G2NR version.

Jumper Legend

	OPEN - Jumper OFF, without jumper cover
	CLOSED – Jumper ON, with jumper cover

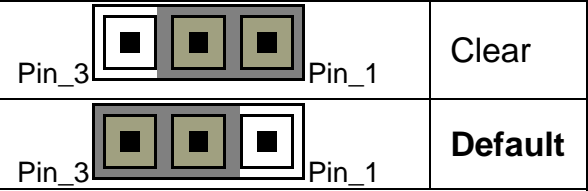
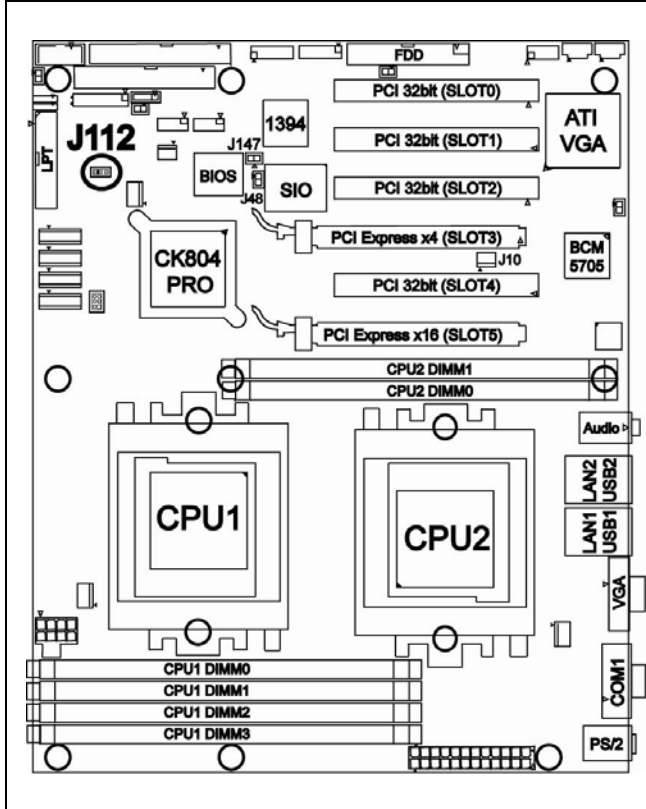
Jumper/Connector	Function	Settings
J139	Front Panel Header	See Section 2.3.1
J112	Clear CMOS Jumper	See Section 2.3.2
J77	Chassis Intrusion Header	See Section 2.3.3
*J147	FireWire (IEEE1394A) Disable Jumper	See Section 2.3.4
*J148/*J149	FireWire (IEEE 1394A) Pin Header	See Section 2.3.5
J14	Buzzer/ External Speaker Header	See Section 2.3.6
J42	COM2 Connector	See Section 2.3.7
J25/J140	USB2.0 Front Panel Header	See Section 2.3.8
J13	Keyboard Lock Connector	See Section 2.3.9
J2	Marvell 88E1111 GbE LAN Front Panel Header	See Section 2.3.10
**J3	BCM5705 GbE LAN Front Panel Header	See Section 2.3.10
**J85	VGA Enable/Disable Jumper	See Section 2.3.11
**J152	BCM5705 LAN Enable/Disable Jumper	See Section 2.3.12
P51	CD_IN Connector	
P52	Audio Aux_IN Connector	
**P53	Front Audio Header	See Section 2.3.13
J9	CPU1 Fan Connector (4pin)	See Section 2.3.14
J37	CPU2 Fan Connector (4pin)	See Section 2.3.14
J47	Chassis Fan Connector (4pin)	See Section 2.3.15
J36/J10	Chassis Fan Connector (3pin)	See Section 2.3.16
J5	3-pin or 4-pin fan support selection Jumper	See Section 2.3.17

2.3.1 Front Panel Header: J139



Function	PIN #	PIN #	Function
HDD LED+	1	2	PWR LED+
HDD LED-	3	4	PWR LED-
Reset Button -	5	6	PWR Button+
Reset Button +	7	8	PWR Button-
VCC	9	10	NC
IRRX	11	12	VCC
GND	13	14	KEY
IRTX	15	16	GND
NC	17	18	SPKR

2.3.2 Clear CMOS Header: J112



You can reset the CMOS settings by using this jumper if you have forgotten your system/setup password or need to clear system BIOS setting.

- Power off system and **disconnect both power connectors from the motherboard**
- Use jumper cap to close Pin_1 and Pin_2 for several seconds to Clear CMOS
- Put jumper cap back to Pin_2 and Pin_3 (default setting)

Reconnect power & power on system

2.3.3 Chassis Intrusion Header: J77

		<p>Pin-2 GND</p> <p>Pin-1 INTRUDER _L</p>
<p>The Chassis Intrusion Header provides chassis intrusion-monitoring function.</p> <p>Note: For use with chassis that support this feature</p>		

2.3.4 *FireWire (IEEE1394A) Enable/Disable Jumper: *J147

<p>Use this jumper to enable/disable IEEE1394.</p> <p>Open : Enable (Default) Closed : Disable</p> <p>Note: J147 is only available on S2877ANRF version.</p>		

2.3.5 *FireWire (IEEE1394A) Pin Header: *J148/*J149

Signal	Pin	Pin	Signal
NC1	1	2	Key
TPA +	3	4	TPA ?
GND	5	6	GND
TPB +	7	8	TPB ?
+12V	9	10	+12V
GND	11	12	GND
NC2	13	14	Key

Note: J148 & J149 are only available on S2877ANRF version.

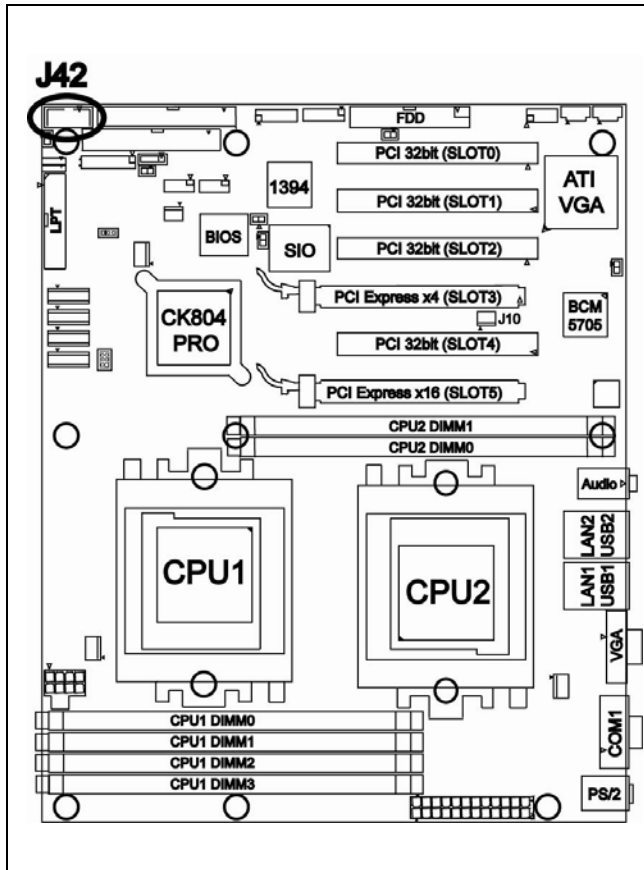
2.3.6 Buzzer/External Speaker Header: J14

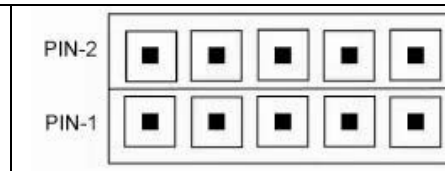
Pin #	Signal Description
1	Speaker+
2	NC
3	Buzzer-
4	Speaker-

Close Pin3 and Pin4 (Default)
Enable onboard buzzer

Open Pin3 and Pin4
Disable onboard buzzer or connect to chassis speaker

2.3.7 COM2 Connector: J42

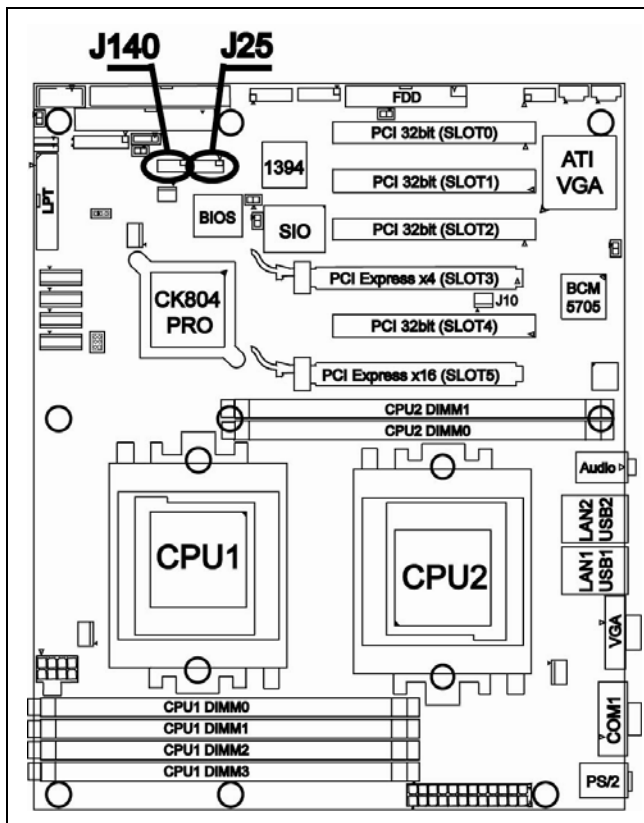


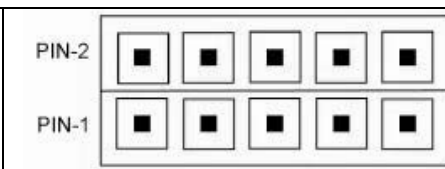


Signal Description	Pin #	Pin #	Signal Description
Data-Carrier Detect	1	2	Data-Set-Ready
Receive-Data	3	4	Request-to-Send
Transfer-Data	5	6	Clear-to-Send
Data-Terminal-Ready	7	8	Ring-Indicator
Ground	9	10	Key

Use these pin definitions to connect a port to COM2.

2.3.8 USB 2.0 Front Panel Headers: J25/J140

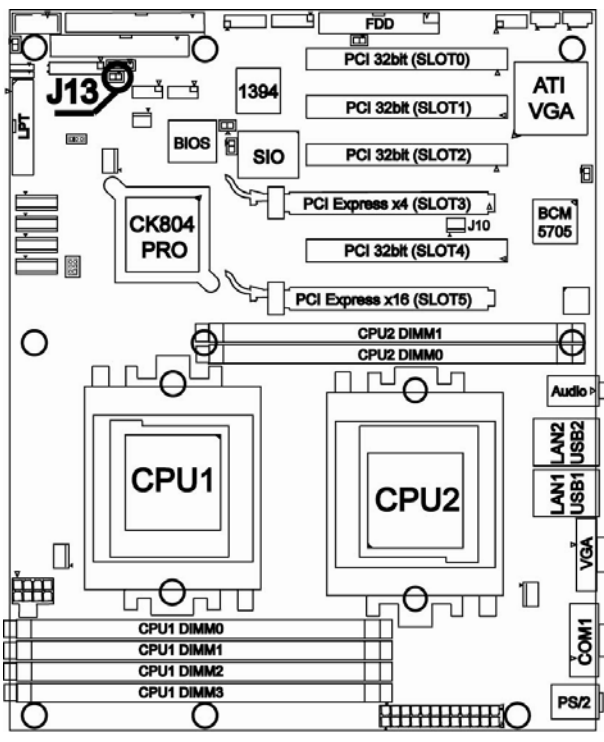




Signal Description	Pin #	Pin #	Signal Description
VCC	1	2	VCC
USB DATA-	3	4	USB DATA-
USB DATA+	5	6	USB DATA+
GND	7	8	GND
KEY	9	10	NC

Use these headers to connect to chassis front panel USB connectors.

2.3.9 Keyboard Lock Connector: J13



J13

Open

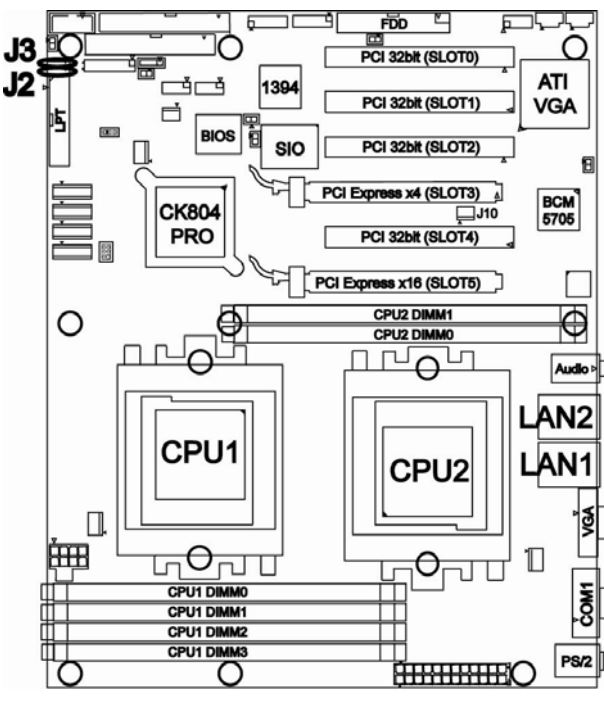
Closed

Use this Jumper to enable/disable PS/2 keyboard.

Open : Enable (**Default**)

Closed : Disable

2.3.10 Gigabit LAN1/**LAN2 Front Panel Header: J2/ **J3



J3

J2

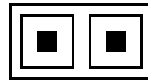
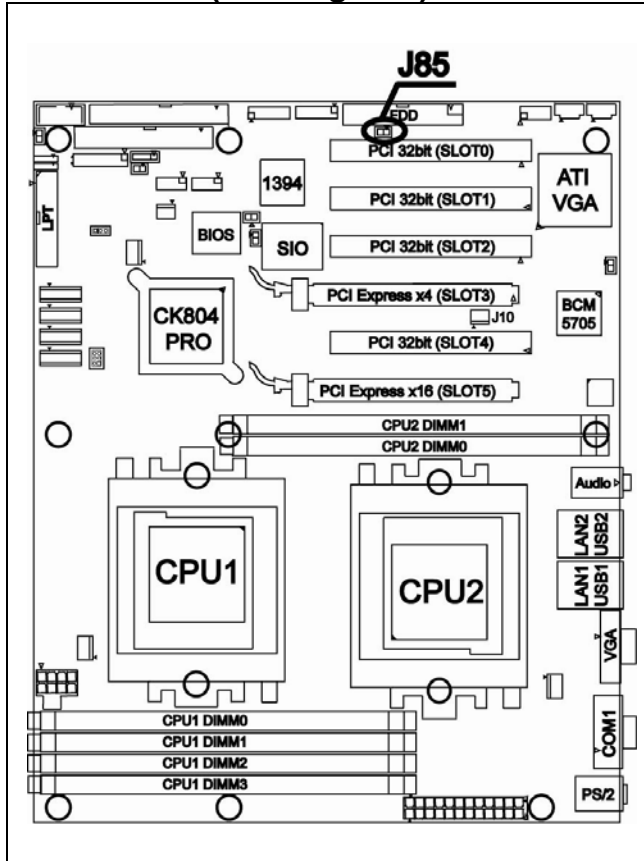
PIN1

Pin #	Signal Description
1	1000Mb+/100Mb-_Link
2	1000Mb-/100Mb+_Link
3	Active-
4	Active+

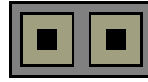
Use this 4-Pin Header to connect LAN LED on Front Panel.

Note: J3 is only available on S2877G2NR version.

2.3.11 **VGA (ATI Rage XL) Enable/ Disable Jumper: **J85



Open

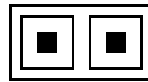
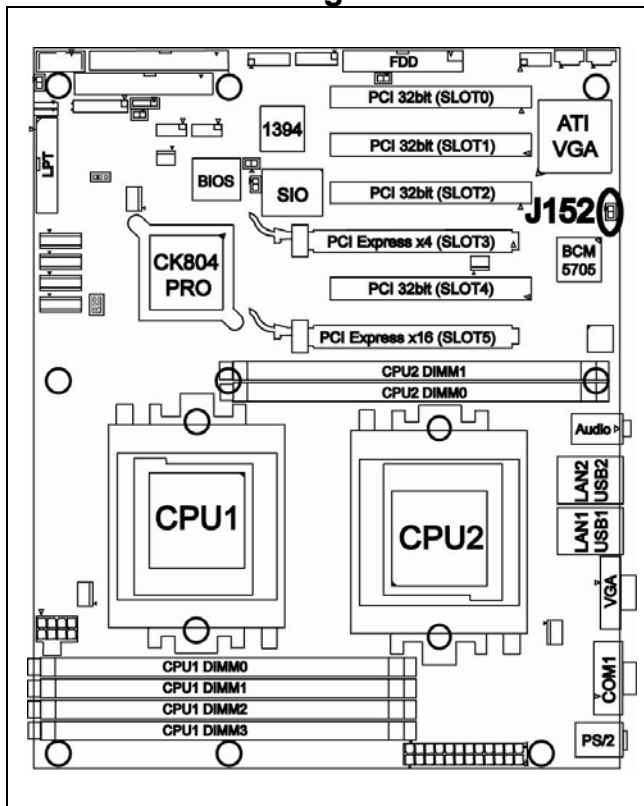


Closed

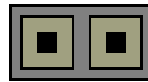
Use this Jumper to enable/disable onboard ATI Rage XL graphic.
 Open : Enable (**Default**)
 Closed : Disable

Note: J85 is only available on S2877G2NR version.

2.3.12 **BCM5705 Gigabit LAN Enable/ Disable Jumper: **J152



Open

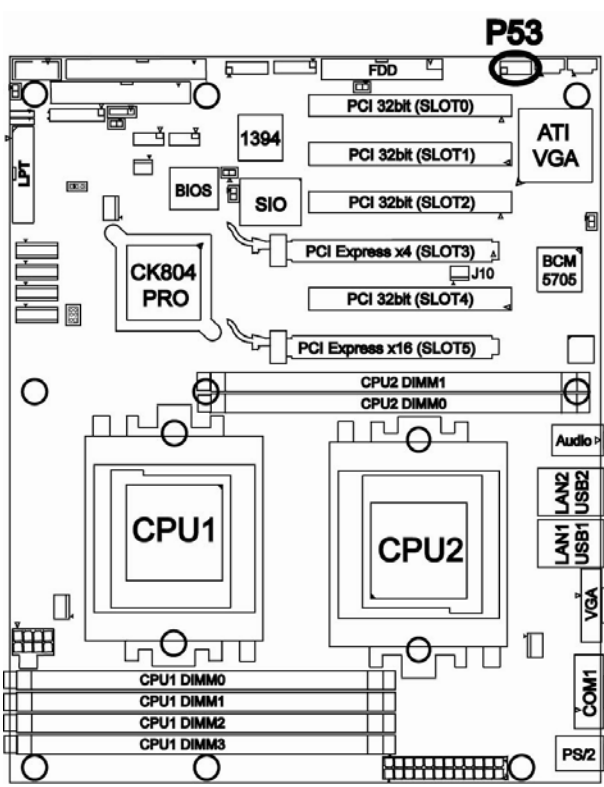


Closed

Use this Jumper to enable/disable LAN2 (BCM5705 GbE LAN)
 Open : Enable (**Default**)
 Closed : Disable

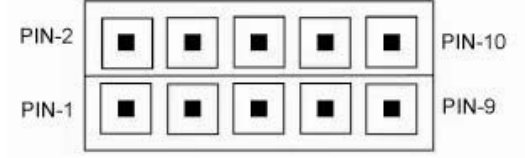
Note: J152 is only available on S2877G2NR version.

2.3.13 *Front Panel Audio Header: *P53

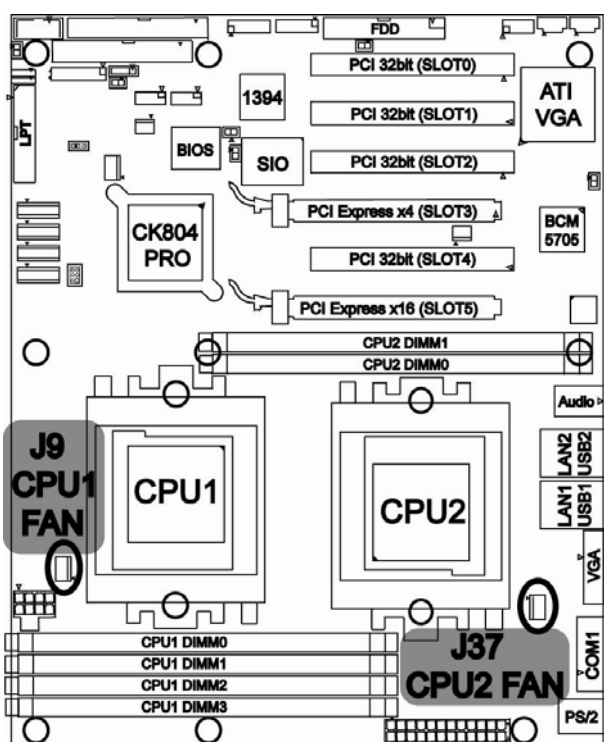


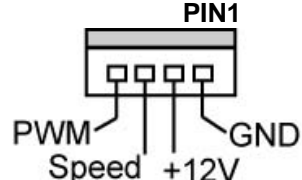
Signal Description	Pin #	Pin #	Signal Description
AUD_MIC_L	1	2	GND
AUD_MIC_R	3	4	AVDD
AUD_FP_R	5	6	AUD_RET_R
F_AUD_DET	7	8	KEY
AUD_FP_L	9	10	AUD_RED_L

Note: a. If you use onboard Audio port, you must close Pin5-Pin6 and Pin9-Pin10.
b. P53 is only available on S2877ANRF version.



2.3.14 CPU FAN Connector: J9/J37

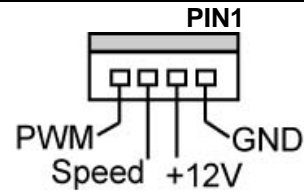
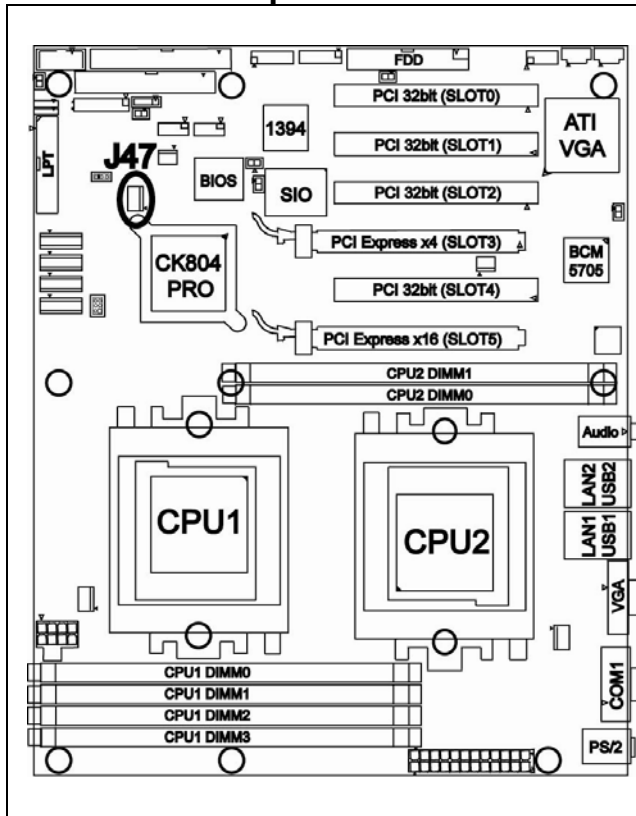




Use these connectors to connect processor cooling fans to your motherboard.
 J9 for CPU1 & J37 for CPU2.

This 4-pin fan connector supports a new standard fan with integrated fan speed control on the fan itself for better fan life.

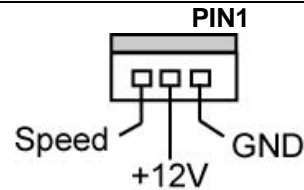
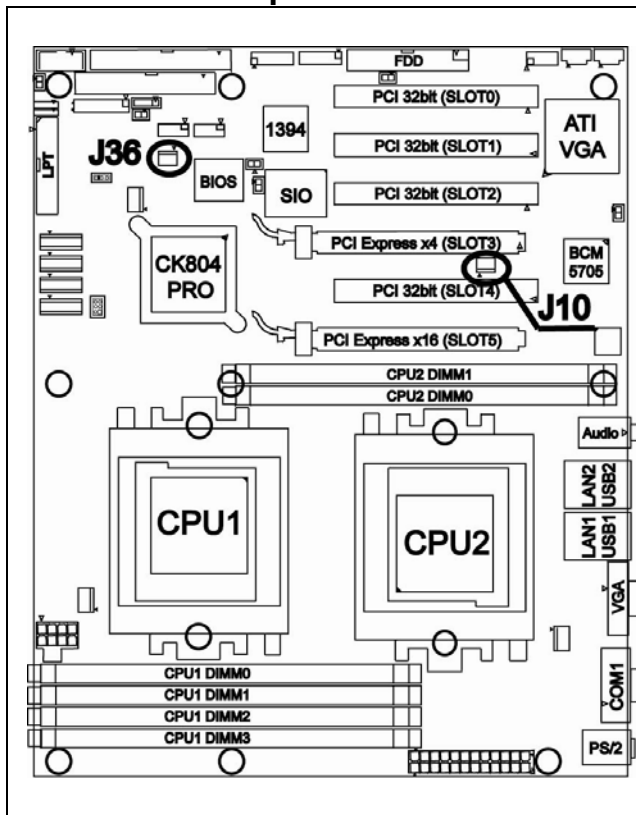
2.3.15 Chassis 4-pin FAN Connector: J47



Use this connector to connect chassis cooling fan to your motherboard.

This 4-pin fan connector supports a new standard fan with integrated fan speed control on the fan itself for better fan life.

2.3.16 Chassis 3-pin FAN Connectors: J36/J10



Use these connectors to connect chassis cooling fans to your motherboard.

The traditional 3-pin fan connector does not have PWM fan speed control function.

2.3.17 3-pin or 4-pin fan support selection jumper: J5

Signal Description	Pin #	Pin #	Signal Description
GND	6	5	SYS_FAN_PWM
GND	4	3	CPU2_FAN_PWM
GND	2	1	CPU1_FAN_PWM

Pin #	Corresponding FAN	FAN Connector
1 & 2	CPU1 FAN	J9
3 & 4	CPU2 FAN	J37
5 & 6	Chassis FAN	J47

Open: To support 3-pin auto fan
 Closed (**Default**): To support 4-pin auto fan

2.4 - Installing the Processor(s)

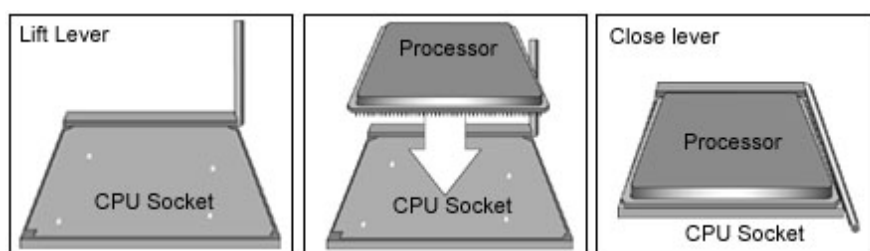
Your brand new Tiger K8WE supports the latest 64-bit processor technology from AMD. Only AMD Opteron™ processor 200 series are certified and supported with this motherboard.

Check our website for latest processor support. <http://www.tyan.com>

NOTE

If using a single processor, it MUST be installed in socket CPU1. When using a single processor only CPU1 memory banks are addressable.

TYAN is not liable for damage as a result of operating an unsupported configuration.



The diagram is provided as a visual guide to help you install socket processors and may not be an exact representation of the processors you have.

Step 1: Lift the lever on the socket until it is approximately 90° or as far back as possible to the socket.

Step 2: Align the processor with the socket. There are keyed pins underneath the processor to ensure that the processor's installed correctly.

Step 3: Seat the processor firmly into the socket by gently pressing down until the processor sits flush with the socket.

Step 4: Place the socket lever back down until it locks into place. The installation is finished.

Repeat these steps for the second processor if you are using two processors.

Take care when installing processors as they have very fragile connector pins below the processor and can bend and break if inserted improperly.

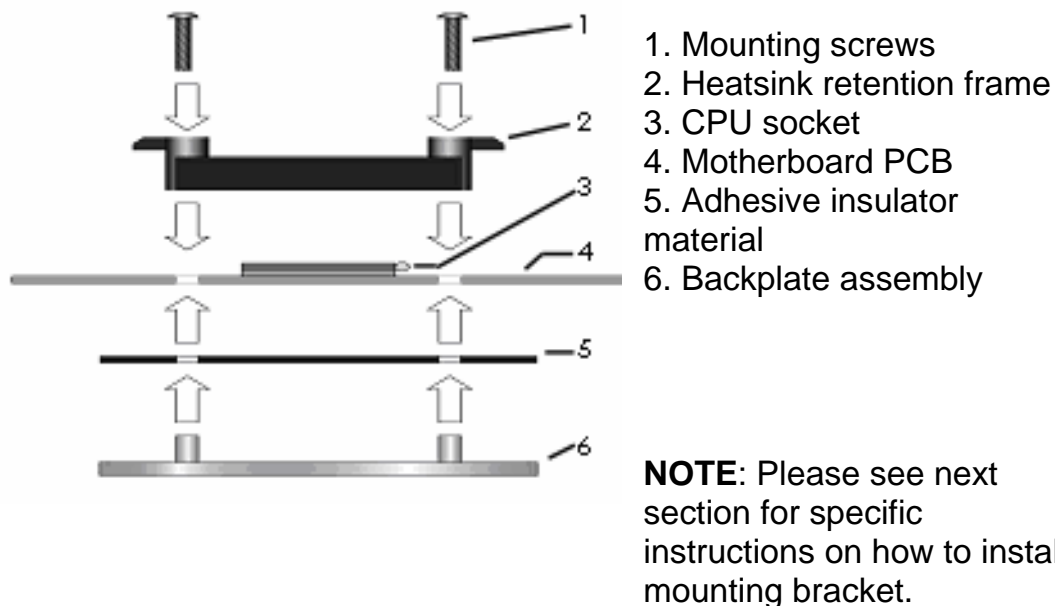
2.5 - Heatsink Retention Frame Installation

After you are done installing the processor(s), you should proceed to installing the retention frame and heatsink. The CPU heatsink will ensure that the processors do not overheat and continue to operate at maximum performance for as long as you own them. Overheated processors are also dangerous to the motherboard.

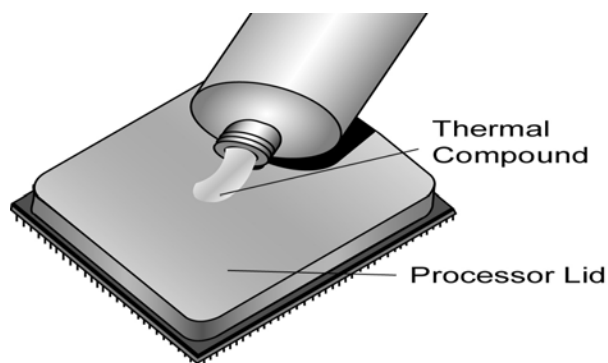
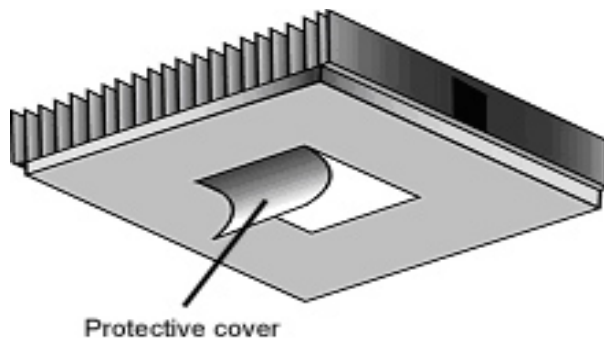
The backplate assembly prevents excessive motherboard flexing in the area near the processor and provides a base for the installation of the heatsink retention bracket and heatsink.

Because there are many different types of heatsinks available from many different manufacturers, a lot of them have their own method of installation. For the safest method of installation and information on choosing the appropriate heatsink, use heatsinks validated by AMD. Please refer to AMD's website at www.amd.com.

The following diagram will illustrate how to install the most common CPU back plates:



2.6 - Thermal Interface Material



There are two types of thermal interface materials designed for use with the AMD Opteron processor.

The most common material comes as a small pad attached to the heatsink at the time of purchase. There should be a protective cover over the material. Take care not to touch this material. Simply remove the protective cover and place the heatsink on the processor.

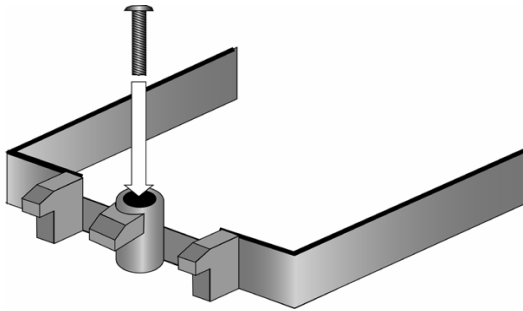
The second type of interface material is usually packaged separately. It is commonly referred to as 'thermal compound'. Simply apply a thin layer on to the CPU lid (applying too much will actually reduce the cooling).

NOTE

Always check with the manufacturer of the heatsink & processor to ensure the Thermal Interface material is compatible with the processor & meets the manufacturer's warranty requirements

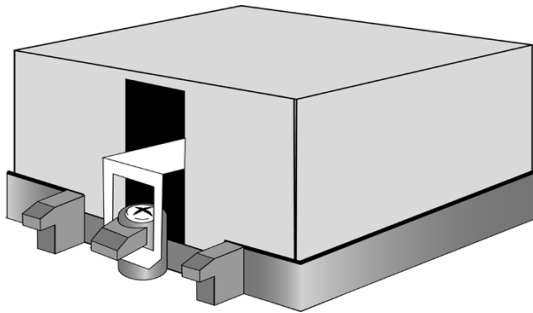
2.7 - Heatsink Installation Procedures

Type A: CAM LEVER (TYPE) INSTALLATION

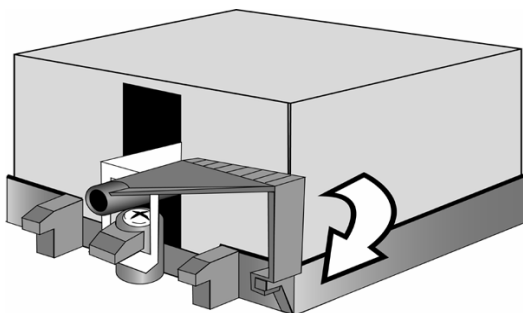


1. After placing backplate and interface material under motherboard place heatsink retention frame on top of motherboard. Align plastic retention bracket screw holes with CPU backplate standoffs.

Tighten screws to secure plastic retention bracket. Repeat for the other side. **DO NOT OVER TIGHTEN.**

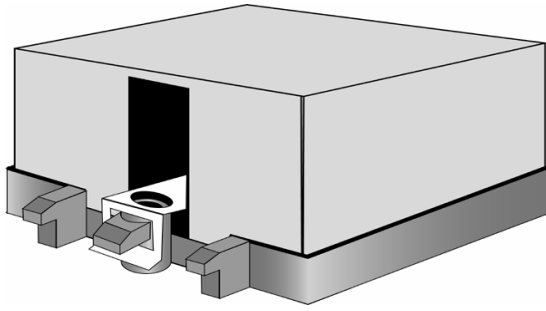


2. After tightening screws secure metal clip to plastic retention bracket center tab. Repeat for the other side of heatsink.

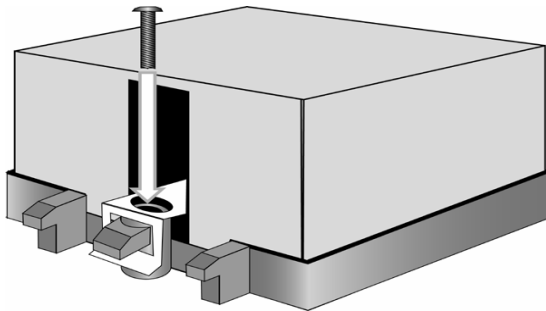


3. After securing metal clip to plastic retention bracket center tab, push down on plastic clip to lock plastic clip to side tab.

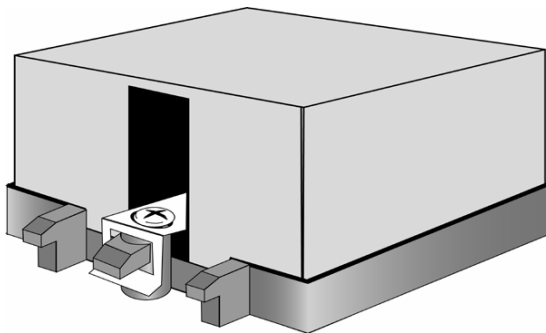
Type B: SCREW RETENTION TYPE HEATSINK



1. After placing CPU back-plate and adhesive interface material under motherboard, place heatsink retention frame on top of motherboard. Align heatsink retention frame screw hole with backplate assembly standoffs. Place heatsink inside plastic retention bracket. Place metal clip over retention frame tab. Repeat for other side.



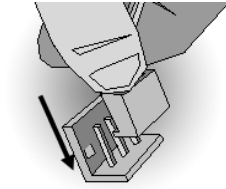
2. Insert screw through metal clip. **BE SURE METAL CLIP IS LOCKED ONTO RETENTION FRAME TAB.**



3. Tighten screw through metal clip. Repeat on the other side. **DO NOT OVER TIGHTEN.**

2.8 - Finishing Installing the Heatsink

After you have finished installing the heatsink onto the processor and socket, attach the end wire of the fan (which should already be attached to the heatsink) to the motherboard. The following diagram illustrates how to connect fans onto the motherboard.



Once you have finished installing all the fans you can connect your drives (hard drives, CD-ROM drives, etc.) to your motherboard.

2.9 - Tips on Installing Motherboard in Chassis

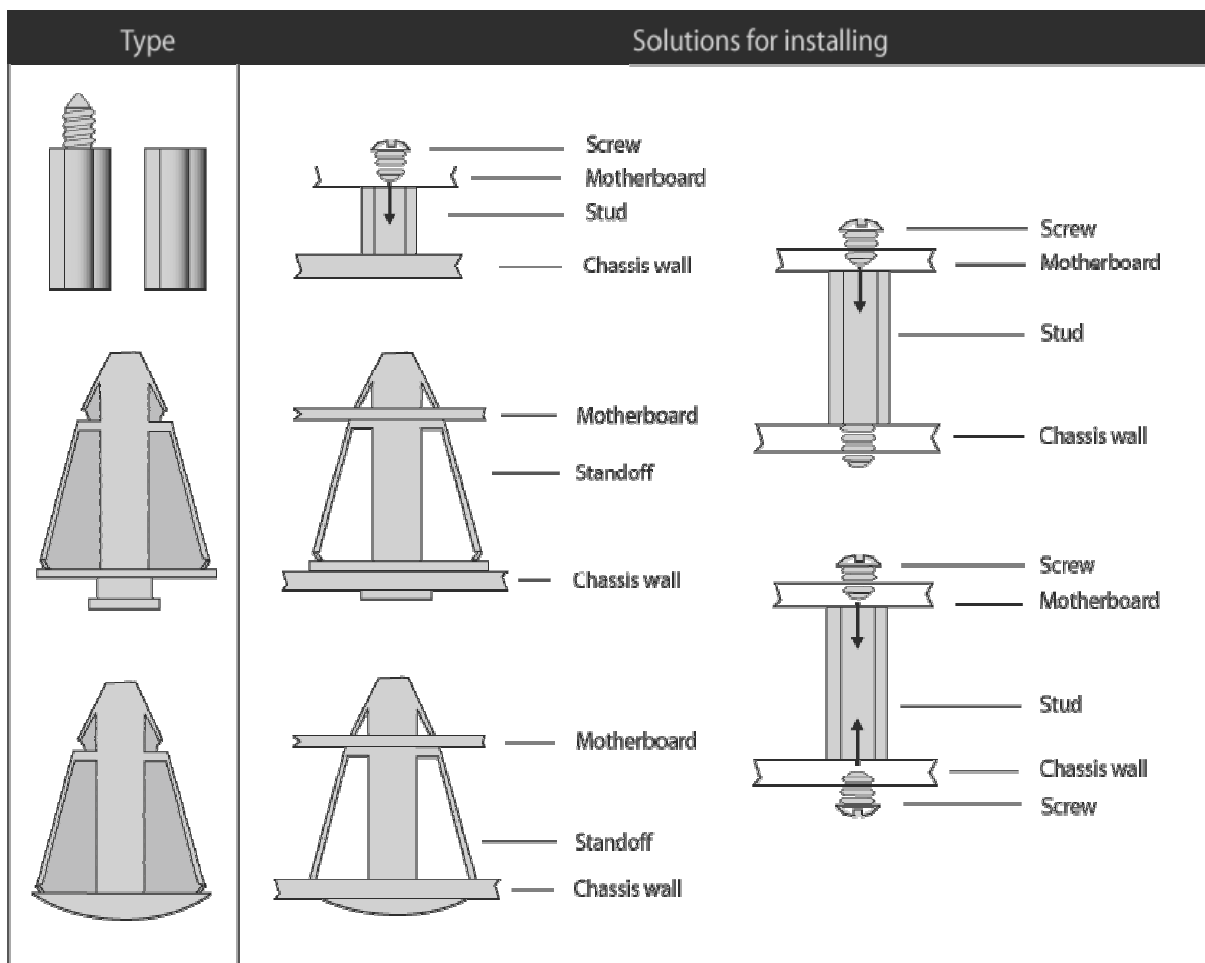
Before installing your motherboard, make sure your chassis has the necessary motherboard support studs installed. These studs are usually metal and are gold in color. Usually, the chassis manufacturer will pre-install the support studs. If you are unsure of stud placement, simply lay the motherboard inside the chassis and align the screw holes of the motherboard to the studs inside the case. If there are any studs missing, you will know right away since the motherboard will not be able to be securely installed.

Pay attention when installing board in chassis. Some components are near the mounting holes and can be damaged.

Some chassis' include plastic studs instead of metal. Although the plastic studs are usable, TYAN recommends using metal studs with screws that will fasten the motherboard more securely in place.

Below is a chart detailing what the most common motherboard studs look like and how they should be installed.

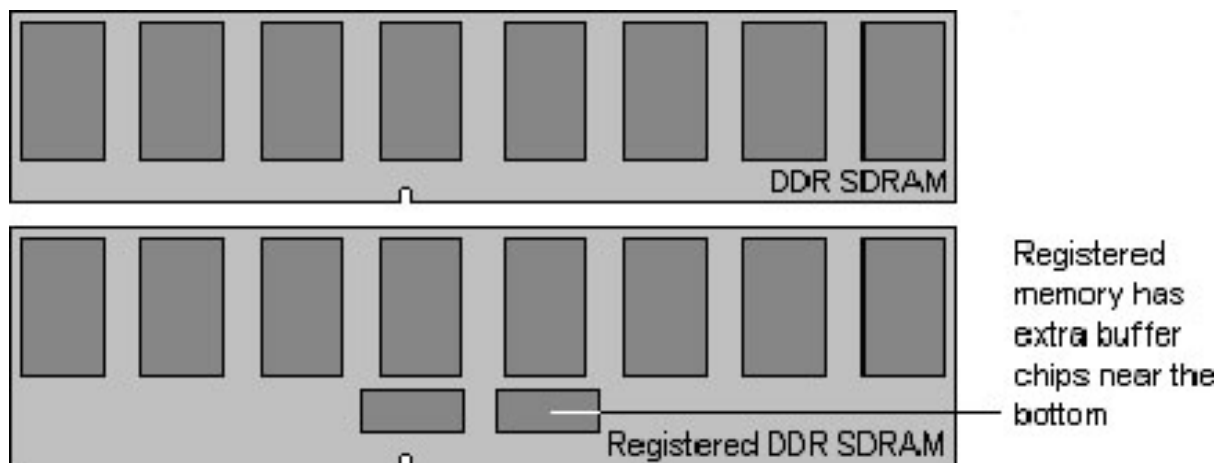
Mounting the Motherboard



2.10 - Installing the Memory

Before attempting to install any memory, make sure that the memory you have is compatible with the motherboard as well as the processor.

The following diagram shows common types of DDR SDRAM modules:



Here are a few key points to note before installing memory into your Tiger K8WE:

- **Always install memory beginning with CPU1 DIMMA1.**
 - **In order to access memory on CPU2, both processors must be installed.**
 - **Single, pairs are supported on CPU1, four modules is also supported on CPU2.**
 - **Configure memory symmetrically on each CPU for best performance.**
 - **AMD Opteron™ processors support 64bit (non-interleaved) or 128bit (interleaved) memory configurations**
 - **At least ONE Registered DDR SDRAM module must be installed for the system to turn on and POST (power on self test)**
 - 128MB, 256MB, 512MB, 1GB, 2GB, and 4GB* Registered DDR400/333/266 DDR memory modules are supported
 - All installed memory will be automatically detected
 - The Tiger K8WE supports up to 24GB* with two CPU's installed.
- * Not validated at time of print*

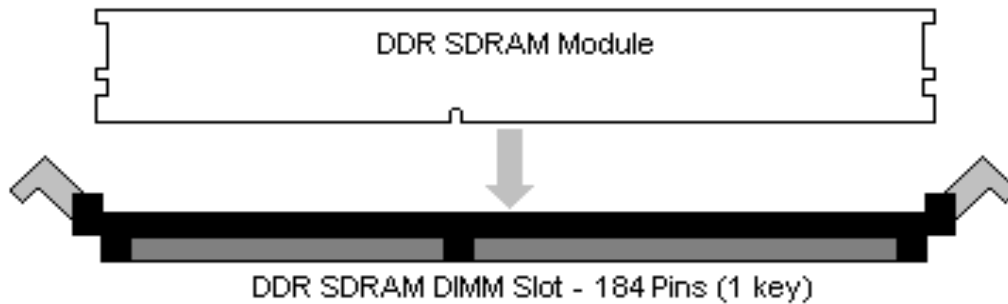
This following chart outlines the rules for populating memory

(Note: X indicates a populated DIMM Slot)

Memory Configuration Chart						
	CPU1 DIMM-A1	CPU1 DIMM-A2	CPU1 DIMM-B1	CPU1 DIMM-B2	CPU2 DIMM-A1	CPU2 DIMM-A2
128 bit memory support	X	X				
	X	X	X	X		
	X	X			X	X
	X	X	X	X	X	X
			X	X		
			X	X	X	X
					X	X
64 bit memory support	X					
	X		X			
	X				X	
	X		X		X	
			X			
			X		X	
					X	

Memory Installation Procedure

When you install the memory modules, make sure the module aligns properly with the memory slot. The modules are keyed to ensure that it is inserted only one way. The method of installing memory modules are detailed by the following diagrams.



Once the memory modules are firmly seated in the slot, two latches on either side will close and secure the module into the slot. Sometimes you may need to close the latches yourself.



To remove the memory module, simply push the latches outwards until the memory module pops up. Then remove the module.

NOTE

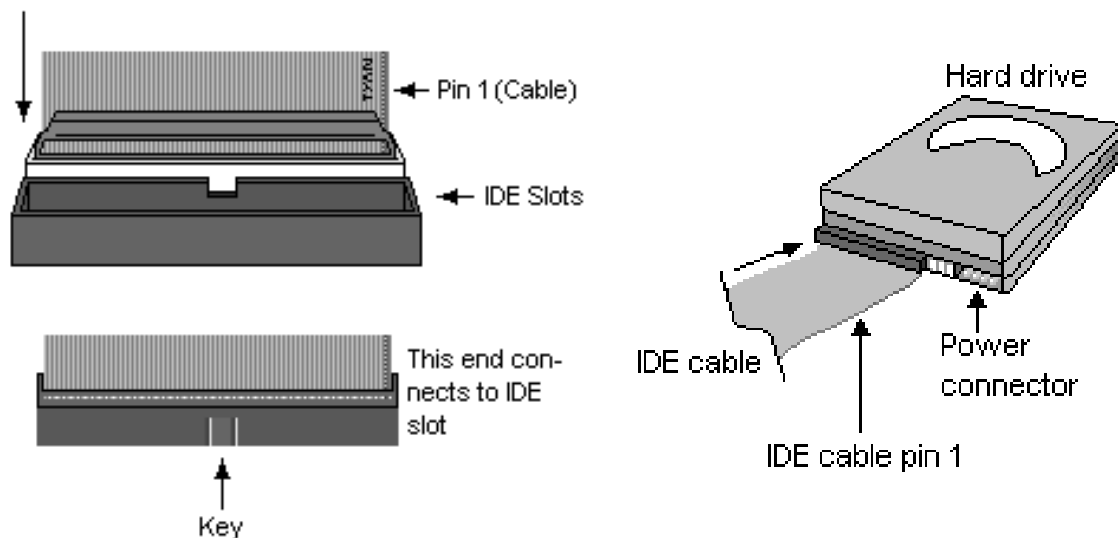
YOU MUST ALWAYS unplug the power connector from the motherboard before performing system hardware changes. Otherwise you may damage the board and/or expansion device.

2.11 - Attaching Drive Cables

Attaching IDE Drive Cable

Attaching the IDE drive cable is simple. The cable is “keyed” to only allow it to be connected in the correct manner.

Attaching IDE cable to the IDE connector is illustrated below:



Simply plug in the BLUE END of the IDE cable into the motherboard IDE connector, and the other end into the drive. Each standard IDE cable has three connectors, two of which are closer together. The BLUE connector that is furthest away from the other two is the end that connects to the motherboard. The other two connectors are used to connect to drives.

Note: Always remember to properly set the drive jumpers. If only using one device on a channel, it must be set as Master for the BIOS to detect it.

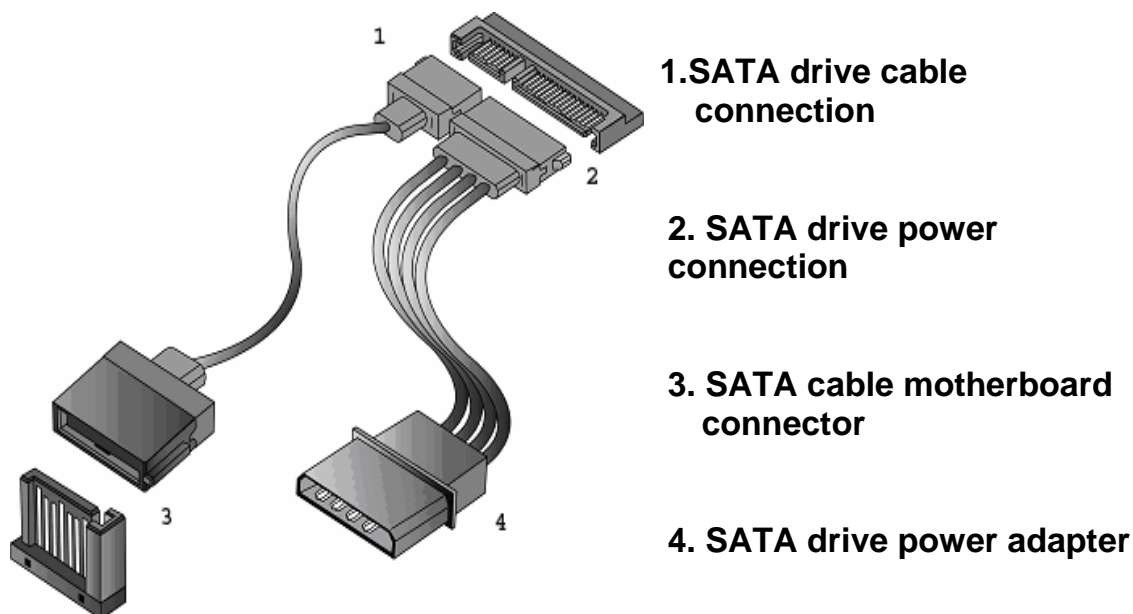
TIP: Pin 1 on the IDE cable (usually designated by a colored wire) faces the drive's power connector.

Attaching Serial ATA Cables

The Tiger K8WE is also equipped with 4 Serial ATA-II (SATAII) channels. Connections for these drives are also very simple.

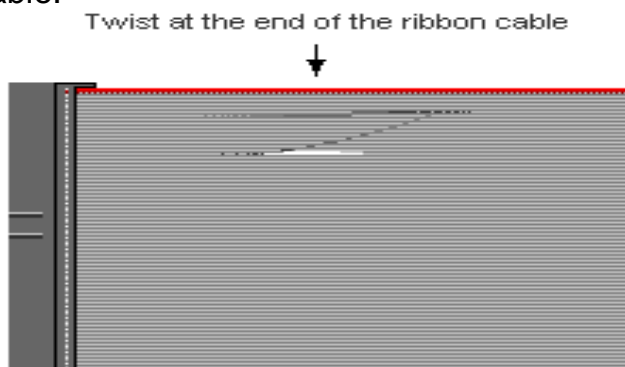
There is no need to set Master/Slave jumpers on SATA drives.

The following pictures illustrate how to connect an SATA drive



Attaching Floppy Drive Cables

Attaching floppy diskette drives are done in a similar manner to hard drives. See the picture below for an example of a floppy cable. Most of the current floppy drives on the market require that the cable be installed with the colored stripe positioned next to the power connector. In most cases, there will be a key pin on the cable which will force a proper connection of the cable.

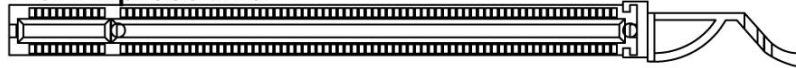


Attach first floppy drive (drive **A:**) to the end of the cable with the twist in it. Drive **B:** is usually connected to the next possible connector on the cable (the second or third connector after you install Drive **A:**).

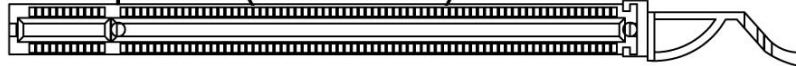
2.12 - Installing Add-In Cards

Before installing add-in cards, it's helpful to know if they are fully compatible with your motherboard. For this reason, we've provided the diagrams below, showing the most common slots that may appear on your motherboard. Not all of the slots shown will necessarily appear on your motherboard.

PCI-Express x16



PCI-Express x4(with x16 slot)



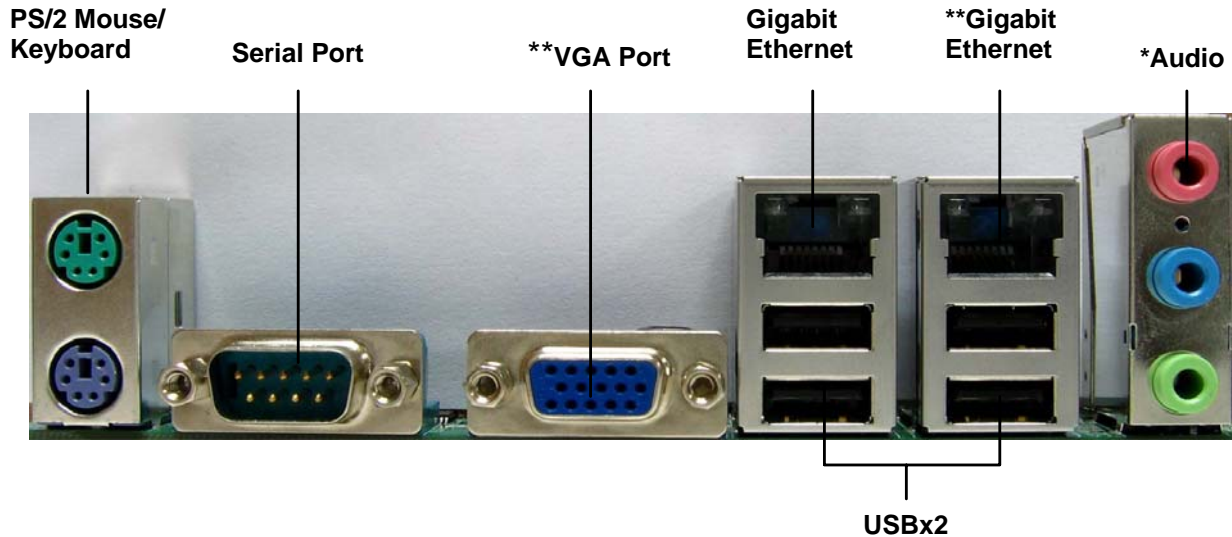
Simply find the appropriate slot for your add-in card and insert the card firmly. Do not force any add-in cards into any slots if they do not seat in place. It is better to try another slot or return the faulty card rather than damaging both the motherboard and the add-in card.

NOTE

YOU MUST ALWAYS unplug the power connector from the motherboard before performing system hardware changes. Otherwise you may damage the board and/or expansion device.

2.13 - Connecting External Devices

Your motherboard supports a number of different interfaces for connecting peripherals. Some I/O ports may not be available with the board due to the different configurations.

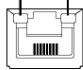


This picture is representative of the latest board revision available at the time of publishing. The board you receive may or may not look exactly like the above picture.

Peripheral devices can be plugged straight into any of these ports but software may be required to complete the installation.

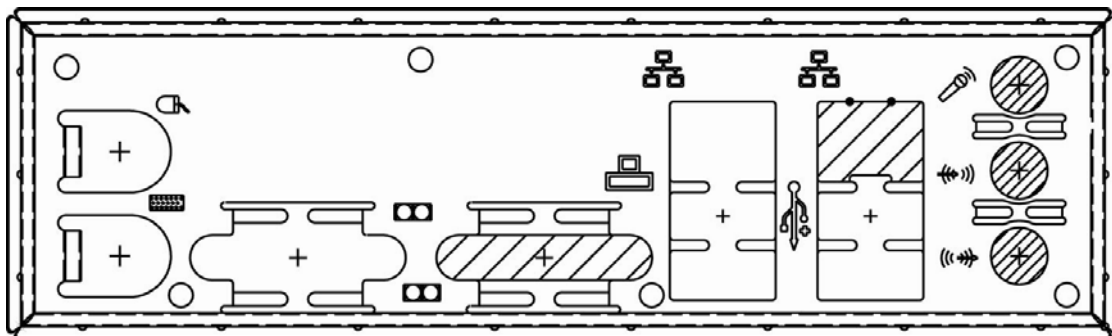
Onboard LAN LED Color Definition

The two onboard Ethernet ports have green and yellow LEDs to indicate LAN status. The chart below illustrates the different LED states.

10/100/1000 Mbps LAN Link/Activity LED Scheme			
LEFT RIGHT		Left LED	Right LED
			
10 Mbps	Link	Green	Off
	Active	Blinking Green	Off
100 Mbps	Link	Green	Green
	Active	Blinking Green	Green
1000 Mbps	Link	Green	Orange
	Active	Blinking Green	Orange
No Link		Off	Off

2.14 - Tips on modifying I/O shielding for ANRF and G2NR version

We have enclosed below I/O shielding, which is compatible with board of both S2877ANRF and S2877G2NR version.



The VGA port, GbE LAN2(BCM5705) port and Audio ports are covered with soft metal which can be disassembled easily by hand.

- a. If you choose the board of S2877ANRF version, please disassemble corresponding soft metal of Audio ports, and keep VGA & LAN2 port shielded.
- b. If you choose the board of S2877G2NR version, please disassemble corresponding soft metal of VGA and LAN2 port, and keep Audio port shielded.

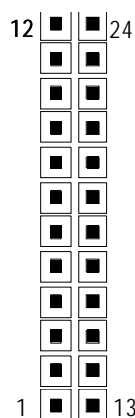
2.15 - Installing the Power Supply

There are two power connectors on your Thunder K8SRE.

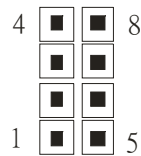
The Tiger K8WE requires an EPS12V (24 pin + 8 pin) power supply to boot.

Please be aware that ATX 2.x and ATXGES power supplies are not compatible with the board and can damage the motherboard and/or CPU(s).

EPS12V Main Power 24-Pin (Chipsets & Components)



12	+3.3V	24	GND
11	+12V2	23	+5V
10	+12V2	22	+5V
9	+5VSB	21	+5V
8	PWR OK	20	RESVD
7	GND	19	GND
6	+5V	18	GND
5	GND	17	GND
4	+5V	16	PSON#
3	GND	15	GND
2	+3.3V	14	-12V
1	+3.3V	13	+3.3V



EPS 12V 8-pin (CPU Power)

4	GND	8	+12V3
3	GND	7	+12V3
2	GND	6	+12V3
1	GND	5	+12V3

Applying power to the board

1. Connect the EPS 12V 8-pin power connector.
2. Connect the EPS 12V 24-pin power connector.
3. Connect power cable to power supply and power outlet

NOTE

YOU MUST unplug the power supply from the wall outlet before plugging the power cables to motherboard connectors.

2.16 – Finishing Up

Congratulations on making it this far! You're finished setting up the hardware aspect of your computer. Before closing up your chassis, make sure that all cables and wires are connected properly, especially IDE cables and most importantly, jumpers. You may have difficulty powering on your system if the motherboard jumpers are not set correctly.

In the rare circumstance that you have experienced difficulty, you can find help by asking your vendor for assistance. If they are not available for assistance, please find setup information and documentation online at our website or by **calling your vendor's support line.**

Chapter 3: BIOS Setup

3.1 - BIOS Setup Utility

With the BIOS setup utility, you can modify BIOS settings and control the special features of your computer. The setup utility uses a number of menus for making changes and turning the special features on or off.

NOTE

All menus are based on a typical system. The actual menus displayed on your screen may be different and depend on the hardware and features installed in your computer.

To start the BIOS setup utility:

- a. Turn on or reboot your system
- b. Press <F2> during POST (F4 on remote console) to start BIOS setup utility

To select an item

Use the left/right (← →) arrow keys to make a selection

To display a sub-menu (A pointer “▶” marks all sub menus)

Use the arrow keys to move the cursor to the sub menu you want. Then press <Enter>.

3.2 - BIOS Menu Bar

The menu bar at the top of the windows lists these selections:

Main	To configure basic system setups
Advanced	To configure the advanced chipset features
Memory	To configure system memory features
Boot	To configure system boot order
Exit	To exit setup utility

NOTE Options written in **bold type** represent the BIOS setup default

3.3 - BIOS Legend Bar

The chart describes the legend keys and their alternates:

Key	Function
<F1> or <Alt-H>	General help window
<ESC>	Exit current menu
← → arrow keys	Select a different menu
↑ or ↓ arrow keys	Select different item
<+> or <->	Change values
<F9>	Load the Optimal default configuration values of the menu
<F10>	Select the previous value/setting of the field
<Enter>	Execute command or select submenu

3.4 - Getting Help

Pressing [**F1**] will display a small help window that describes the appropriate keys to use and the possible selections for the highlighted item. To exit the Help window, press [**ESC**] or [**F1**] key again.

3.5 - BIOS Main Menu

The Main BIOS Menu is the first screen that you can navigate. The Main BIOS setup menu screen has two main frames. The left frame displays all the options that can be configured. "Grayed-out" options cannot be configured, options in blue can be changed.

The right frame displays the key legend. Above the key legend is an area reserved for a text message. When an option is selected in the left frame, it is highlighted in white. Often, a text message will accompany it.

PhoenixBIOS Setup Utility	
Main	
BIOS Date BIOS Version: CPU Type CPU Speed System Memory [XXXX KB] Extended Memory [XXXX KB] Installed O/S [Other] System Time [11:33:23] System Date [2004-11-05]	Item Specific Help
F1: Help ↑ ↓ : Select Item -/+ : Change Values F9: Setup Defaults Esc: Exit ← → : Select Screen Enter: Select ► Sub-Menu F10: Previous Values	

Feature	Option	Description
System Time	HH:MM:SS	Set the system time
System Date	MM:DD:YYYY	Set the system date

3.6 - BIOS Advanced Menu

You can select any of the items in the left frame of the screen, such as Hammer Configuration, to go to the sub menu for that item. You can display an Advanced BIOS Setup option by highlighting it using the <Arrow> keys. All Advanced BIOS Setup options are described in this section. The Advanced BIOS Setup screen is shown below. The sub menus are described on the following pages.

PhoenixBIOS Setup Utility		
Advanced		
Secured Setup Configurations	[No]	Item Specific Help
Reset Configuration Data:	[No]	
<ul style="list-style-type: none"> ▶ Hammer Configuration ▶ Integrated Devices ▶ PCI Configuration ▶ IDE Configuration ▶ Floppy Configuration ▶ I/O Device Configuration ▶ Hardware Monitor ▶ Console Redirection ▶ Watchdog Timer Option Intruder Support 	[Enabled]	
F1: Help ↑ ↓ : Select Item -/+ : Change Values F9: Setup Defaults Esc: Exit ← → : Select Menu Enter: Select ▶ Sub-Menu F10: Previous Values		

Feature	Option	Description
Secured Setup Configurations	No	Choosing "Yes" will prevent a Plug and Play Operation System from changing system settings.
	Yes	
Reset Configuration Data	No	Select "Yes" if you want to clear the Extended System Configuration Data (ESCD) area.
	Yes	
Hammer Configuration	Menu Item	Set Hammer Configuration.

Integrated Devices	Menu Item	Set integrated devices.
PCI Configuration	Menu Item	Configure PCI devices.
IDE Configuration	Menu Item	Configure IDE interface.
Floppy Configuration	Menu Item	Configure floppy interface.
I/O Device Configuration	Menu Item	Peripheral configuration
Hardware Monitor	Menu Item	Enable/disable the onboard Hardware monitor device
Console Redirection	Menu Item	Additional setup menus to configure console.
Watchdog Timer Option	Menu Item	Watchdog Timer configuration

3.6.1 – Hammer Configuration Sub-Menu

You can use this screen to select options for the Hammer Configuration settings. Use the up and down <Arrow> keys to select an item. Use the <Plus> and <Minus> keys to change the value of the selected option.

PhoenixBIOS Setup Utility		
Advanced		
CPU/Memory Controller WARNING Changing options to unsupported values might hang the system. If this happens clear CMOS and reboot		Item Specific Help
Mem Clock Mode:	[Auto]	
Value:	[100 MHz]	
Mode Memory Interleave:	[Disabled]	
Dram Bank Interleave	[Disabled]	
Large Memory Simulation:	[Disabled]	
HT-LDT Frequency:	[200 Mhz]	
MTRR Mapping	[Discrete]	
ACPI SRAT Table	[Disabled]	
F1: Help ↑ ↓ : Select Item -/+ : Change Values F9: Setup Defaults Esc: Exit ← → : Select Screen Enter: Select ▶ Sub-Menu F10: Previous Values		

Feature	Option	Description
Mem Clock Mode	Auto	Select Memory Clock frequency.
	Limit	
Node Memory Interleave	Disabled	Interleave memory blocks across Processor Nodes. BIOS will auto detect capability of memory system.
	Enabled	
Dram Block Interleave	Disabled	Interleave memory blocks across dram chip selects. BIOS will auto detect capability on each node.
	Enabled	
Large Memory Simulation	Disabled	Enable LMS mode only when one CPU is installed with 64G or more memory.
	Enabled	
MTRR Mapping	Discrete	Configure MTRR mode.
	Continuous	
ACPI SRAT Table	Disabled	Enable ACPI2.0 static resources affinity table for ccNUMA systems.
	Enabled	

3.6.2 - Integrated Devices Sub-Menu

You can use this screen to select options for the Integrated Devices settings. Use the up and down <Arrow> keys to select an item. Use the <Plus> and <Minus> keys to change the value of the selected option.

PhoenixBIOS Setup Utility		
Advanced		
USB Control	[Disabled]	Item Specific Help
USB BIOS Legacy Support:	[Disabled]	
MAC LAN Bridge:	[Enabled]	
MAC Address	XXXXXXXXXXXXXX	
SATA0 Controller	[Enabled]	
SATA1 Controller	[Enabled]	
Interrupt Mode:	[PIC]	
▶ NV RAID Configuration		

F1: Help ↑ ↓ : Select Item -/+ : Change Values F9: Setup Defaults
 Esc: Exit ← → : Select Screen Enter: Select ▶ Sub-Menu
 F10: Previous Values

Feature	Option	Description
USB Control	Disabled	Set USB controllers.
	USBA+USBB	
	USBA+ USBB+USB2	
USB BIOS Legacy Support	Disabled	Set support for USB Keyboard/Mouse.
	Enabled	
SATA0 Controller	Enabled	Set First Serial ATA device.
	Disabled	
SATA1 Controller	Enabled	Set Second Serial ATA device.
	Disabled	
Interrupt Mode	PIC	Select Interrupt Mode between 8259/PIC mode and APIC mode.
	8529/PIC	
NV RAID Configuration	Menu Item	Set Nvidia RAID control.

NV Configuration

You can use this screen to select options for the NV Configuration settings. Use the up and down <Arrow> keys to select an item. Use the <Plus> and <Minus> keys to change the value of the selected option.

PhoenixBIOS Setup Utility		
Advanced		
NV Configuration	[Disabled]	Item Specific Help

IDE Primary Master	[Disabled]	
IDE Primary Slave	[Disabled]	
IDE Secondary Master	[Disabled]	
IDE Secondary Slave	[Disabled]	
Internal SATA Primary	[Disabled]	
Internal SATA Secondary	[Disabled]	
External SATA Primary	[Disabled]	
External SATA Secondary	[Disabled]	
<p>F1: Help ↑ ↓ : Select Item -/+ : Change Values F9: Setup Defaults Esc: Exit ← → : Select Screen Enter: Select ▶ Sub-Menu F10: Previous Values</p>		

Feature	Option	Description
NV Configuration	Enabled	Set Nvidia RAID control.
	Disabled	
IDE Primary/Secondary Master/Slave	Disabled	Enable the drive as RAID.
	Enabled	
Internal SATA Primary/Secondary	Disabled	Enable the drive as RAID.
	Enabled	
External SATA Primary/Secondary	Disabled	Enable the drive as RAID.
	Enabled	

3.6.3 - PCI Configuration Sub-Menu

You can use this screen to select options for the PCI Configuration settings. Use the up and down <Arrow> keys to select an item. Use the <Plus> and <Minus> keys to change the value of the selected option.

PhoenixBIOS Setup Utility	
Advanced	
Note PCI Slot Layout Convention in Help Window	Item Specific Help

<ul style="list-style-type: none"> ▶ PCI Device, Slot # 1 ▶ PCI Device, Slot # 2 ▶ PCI Device, Slot # 3 ▶ PCI Device, Slot # 4 ▶ Onboard Device Control Option ROM Placement [Disabled] ▶ PCI/PNP ISA UHB Region Exclusion ▶ PCI/PNP ISA IRQ Resource Exclusion 	
<p>F1: Help ↑ ↓ : Select Item -/+ : Change Values F9: Setup Defaults Esc: Exit ← → : Select Screen Enter: Select ▶ Sub-Menu F10: Previous Values</p>	

Feature	Option	Description
PCI Device, Slot #1 ,2,3& 4	Menu Item	Select PCI slot configuration.
PCI/PNP ISA UHB Region Exclusion	Menu Item	Reserve specific upper memory blocks for use by legacy ISA devices.
PCI/PNP ISA IRQ Resource Exclusion	Menu Item	Reserve the specific IRQs for use by legacy ISA devices.

PCI Device, Slot # 1 ,2,3& 4

You can use this screen to select options for the PCI Device, Slot # 1 & 2 settings. Use the up and down <Arrow> keys to select an item. Use the <Plus> and <Minus> keys to change the value of the selected option.

PhoenixBIOS Setup Utility
Advanced

Option ROM Scan: [Enabled]	Item Specific Help
Enable Master: [Disabled]	
Latency Timer [Default]	
<p>F1: Help ↑ ↓ : Select Item -/+ : Change Values F9: Setup Defaults Esc: Exit ← → : Select Screen Enter: Select ▶ Sub-Menu F10: Previous Values</p>	

Feature	Option	Description
Option ROM Scan	Enabled	Initialize device expansion ROM.
	Disabled	
Enable Master	Disabled	Enable selected device as a PCI bus master.
	Enabled	
Latency Timer	Default	Minimum guaranteed time slice allotted for bus master in units of PCI bus clocks.
	0020h	

Onboard Device Control

You can use this screen to enable/disable **Onboard Device (BroadCom NIC and IEEE1394 Controller)** and their Option ROMs .

PhoenixBIOS Setup Utility		
Advanced		
BCM5705 LAN	[Enabled]	Item Specific Help
BCM5705 LAN OPROM	[Enabled]	
IEEE1394 Controller	[Enabled]	
Onboard VGA	[Enabled]	
Default Primary Video Adapter	[Add On]	

F1: Help ↑ ↓ : Select Item -/+ : Change Values F9: Setup Defaults
 Esc: Exit ← → : Select Screen Enter: Select ► Sub-Menu
 F10: Previous Values

PCI/PNP ISA UHB Region Exclusion

You can use this screen to select options for the PCI/PNP ISA UHB Region Exclusion settings. Use the up and down <Arrow> keys to select an item. Use the <Plus> and <Minus> keys to change the value of the selected option.

PhoenixBIOS Setup Utility		
Advanced		
C800-CBFF:	[Available]	Item Specific Help
CC00-CFFF:	[Available]	
D000-D3FF:	[Available]	
D400-D7FF:	[Available]	
D800-DBFF:	[Available]	
DC00-DFFF:	[Available]	
F1: Help ↑ ↓ : Select Item -/+ : Change Values F9: Setup Defaults Esc: Exit ← → : Select Screen Enter: Select ► Sub-Menu F10: Previous Values		

Feature	Option	Description
C800-CBFF, CC00-CFFF D000-D3FF, D400-D7FF D800-D8FF, DC00-DFFF	Available	Reserves the specified block of upper memory for use by legacy ISA devices.
	Reserved	

PCI/PNP ISA IRQ Resource Exclusion

You can use this screen to select options for the PCI/PNP IRQ Resource Exclusion settings. Use the up and down <Arrow> keys to select an item. Use the <Plus> and <Minus> keys to change the value of the selected option.

PhoenixBIOS Setup Utility		
Advanced		
IRQ3	[Available]	Item Specific Help
IRQ4	[Available]	
IRQ5:	[Available]	
IRQ7	[Available]	
IRQ9	[Available]	
IRQ10	[Available]	
IRQ11	[Available]	
IRQ15	[Available]	
Indicates a DMA, interrupt, I/O, or memory resource conflict with another device.		
F1: Help ↑ ↓ : Select Item -/+ : Change Values F9: Setup Defaults Esc: Exit ← → : Select Screen Enter: Select ▶ Sub-Menu F10: Previous Values		

Feature	Option	Description
IRQ3/4/5/7/9/10/11/15	Available	Reserves the specified IRQ for use by legacy ISA devices.
	Reserved	

3.6.4 - IDE Configuration Sub-Menu

You can use this screen to select options for the IDE Configuration settings. Use the up and down <Arrow> keys to select an item. Use the <Plus> and <Minus> keys to change the value of the selected option.

PhoenixBIOS Setup Utility		
Advanced		
Large Disk Access Mode:	[Other]	Item Specific Help
SMART Device Monitoring:	[Disabled]	
Local Bus IDE adapter:	[Disabled]	
<ul style="list-style-type: none"> ▶ Primary Master ▶ Primary Slave ▶ Secondary Master ▶ Secondary Slave 		
Indicates a DMA, interrupt, I/O, or memory resource conflict with another device.		
F1: Help ↑ ↓ : Select Item -/+ : Change Values F9: Setup Defaults Esc: Exit ← → : Select Screen Enter: Select ▶ Sub-Menu F10: Previous Values		

Feature	Option	Description
Large Disk Access Mode	Other	Select the IDE access mode.
	DOS	
SMART Device Monitoring	Disabled	IDE failure prediction.
	Enabled	
Local Bus IDE adapter	Both	Enable the integrated local bus IDE adapter.
	Disabled	
	Primary	
	Secondary	
Primary Master/Slave	Menu Item	Configure the IDE channel.
Secondary Master/Slave	Menu Item	Configure the IDE channel.

Primary Master/Slave, Secondary Master/Slave

The following screen shows the information of IDE device.

PhoenixBIOS Setup Utility		
Advanced		
Type: CHS Format Cylinders: Cylinders: Heads: Heads: Sectors: Sectors: Maximum Capacity: Maximum Capacity: LBA Format' Total Sectors: Maximum Capacity:		Item Specific Help
Multi-Sector Transfers: LBA Mode Control: 32 Bit I/O: Transfer Mode: Ultra DMA Mode:	[1] [Disabled] [Disabled] [Disabled] [Standard] [Disabled]	
F1: Help ↑ ↓ : Select Item -/+ : Change Values F9: Setup Defaults Esc: Exit ← → : Select Screen Enter: Select ► Sub-Menu F10: Previous Values		

Feature	Option	Description
Multi-Sector Transfers	Disabled	Specify the number of sectors per block for multiple sector transfer.
	Enabled	
LBA Mode Control	Disabled	Enabling LBA causes Logical Block Addressing to be used in place of Cylinders, Heads_Sectors.
	Enabled	
32 Bit I/O	Disabled	This setting enables or disables 32 bit IDE data transfers.
	Enabled	
Transfer Mode	Standard	Select the method for moving data to/from the drive.
	Fast PIO 1	

Ultra DMA Mode	Disabled	Select the Ultra DMA mode used for moving data to/from the drive.
	Enabled	

3.6.5 - Floppy Configuration Sub-Menu

You can use this screen to select options for the Floppy Configuration settings. Use the up and down <Arrow> keys to select an item. Use the <Plus> and <Minus> keys to change the value of the selected option.

PhoenixBIOS Setup Utility		
Advanced		
Legacy Diskette A: Legacy Diskette B:	[Disabled] [Disabled]	Item Specific Help
Indicates a DMA, interrupt, I/O, or memory resource conflict with another device.		
F1: Help ↑ ↓ : Select Item -/+ : Change Values F9: Setup Defaults Esc: Exit ← → : Select Screen Enter: Select ► Sub-Menu F10: Previous Values		

Feature	Option	Description
Legacy Diskette A/B	Disabled	Select floppy type
	Enabled	

3.6.6 - I/O Device Configuration Sub-Menu

You can use this screen to select options for the I/O Device Configuration settings. Use the up and down <Arrow> keys to select an item. Use the <Plus> and <Minus> keys to change the value of the selected option.

PhoenixBIOS Setup Utility		
Advanced		
Serial port A:	[Disabled]	Item Specific Help
Base I/O address:	[3F8]	
Interrupt:	[IRQ 3]	
Serial port B:	[Disabled]	
Mode:	[Normal]	
Base I/O address:	[3F8]	
Interrupt:	[IRQ3]	
Parallel port:	[Disabled]	
Base I/O address:	[378]	
Interrupt:	[IRQ5]	
Mode:	[Output only]	
DMA channel:	[DMA1]	
Floppy disk controller:	[Disabled]	
Base I/O address	[Primary]	
F1: Help ↑ ↓ : Select Item -/+ : Change Values F9: Setup Defaults Esc: Exit ← → : Select Screen Enter: Select ▶ Sub-Menu F10: Previous Values		

Feature	Option	Description
Serial port A	Disabled	Configure serial port A using options.
	Enabled	
Base I/O address	3F8	Set the base I/O address for serial port A.
	2F8	
Interrupt	IRQ3	Set the interrupt for serial port A.
	IRQ4	
Serial port B	Disabled	Configure serial port B using options.
	Enabled	
Mode	Normal	Set the mode for Serial port B using options.
	IR	
Base I/O address	3F8	Set the base I/O address for serial port B.
	2F8	

Interrupt	IRQ3	Set the interrupt for serial port B
	IRQ4	
Parallel port	Disabled	Configure parallel port using options.
	Enabled	
Base I/O Address	378	Set the base I/O address for parallel port.
	278	
Interrupt	IRQ5	Set the interrupt for parallel port.
	IRQ7	
Mode	Output only	Set the mode for parallel port using options.
	Bi-directional	
DMA channel	DMA 1	Set the DMA channel for parallel port.
	DMA 3	
Floppy disk controller	Disabled	Configure Floppy disk controller using options.
	Enabled	
Base I/O address	Primary	Set the base I/O address for parallel port.
	Secondary	

3.6.7- Hardware Monitor Sub-Menu

You can use this screen to hardware monitor information. Use the up and down <Arrow> keys to select an item. Use the <Plus> and <Minus> keys to change the value of the selected option.

PhoenixBIOS Setup Utility		
Advanced		
CPUx Temperature	xxC	Item Specific Help
Sysx VRM temperature	xxC	
CPUx Fan Speed	xxxxRPM	
System Fan Speed	xxxxRPM	
CPUx VDD Voltage	x.x V	
+12V	x.xV	
+5v	x.xV	
+3.3V	x.xV	
CK804 Vcore	x.xV	
F1: Help ↑ ↓ : Select Item -/+ : Change Values F9: Setup Defaults Esc: Exit ← → : Select Screen Enter: Select ▶ Sub-Menu F10: Previous Values		

3.6.8 – Console Redirection Sub-Menu

You can use this screen to select options for the Console Redirection settings. Use the up and down <Arrow> keys to select an item. Use the <Plus> and <Minus> keys to change the value of the selected option.

PhoenixBIOS Setup Utility		
Advanced		
Com Port Address	[Disabled]	Item Specific Help
Baud Rate	[300]	
Console Type	[VT100]	
Flow Control	[None]	
Console connection	[Direct]	
Continue C.R. after POST	[off]	
F1: Help ↑ ↓ : Select Item -/+ : Change Values F9: Setup Defaults Esc: Exit ← → : Select Screen Enter: Select ► Sub-Menu F10: Previous Values		

Feature	Option	Description
Com Port Address	Disabled	Select the Com Port address.
	On-board COMA	
	On-board COMB	
Baud Rate	19200	Enable the specified baud rate.
	38400	
	57600	
	115200	
Console Type	VT100	Enable the specified console type.
	VT100, 8bit	
	PC-ANSI,7bit	
	PC ANSI	
	VT100+	
Flow Control	None	Enable flow control.
	XON/XOFF	

Console connection	Direct	Indicate whether the console is connected directly to the system or a modem is used to connect.
	Via modem	
Continue C.R. after POST	Off	Enable Console Redirection after OS has loaded.
	On	

3.6.9– Watchdog Timer Option Sub-Menu

You can use this screen to select options for the Watchdog settings. Use the up and down <Arrow> keys to select an item. Use the <Plus> and <Minus> keys to change the value of the selected option.

PhoenixBIOS Setup Utility		
Advanced		
Watchdog Timer	[Disabled]	Item Specific Help
Time_Out Minutes	[1]	
F1: Help ↑ ↓ : Select Item -/+ : Change Values F9: Setup Defaults Esc: Exit ← → : Select Screen Enter: Select ▶ Sub-Menu F10: Previous Values		

Feature	Option	Description
Watchdog Timer	disabled	Enable/disable Watchdog Timer
	enabled	
Time_Out Minutes	1~255	Watchdog Time_Out configuration in Minutes(1-255)

3.7 - BIOS Memory Menu

This menu has options for memory speed & latency. Use the up and down <Arrow> keys to select an item. Use the <Plus> and <Minus> keys to change the value of the selected option.

PhoenixBIOS Setup Utility		
Memory		
Cache Ram	[XXXX KB]	Item Specific Help
System Memory:	[XXXX KB]	
Extended Memory:	[Enabled]	
Memory Cache:	[uncached]	
Cache System BIOS area:	[uncached]	
Cache Video BIOS area:	[uncached]	
Cache Base 0-512k:	[uncached]	
Cache Base 512k-640k:	[uncached]	
Cache Extended Memory Area:	[uncached]	
Cache A000 – AFFF:	[Disabled]	
Cache B000 – BFFF	[Disabled]	
Cache C800 – CBFF:	[Disabled]	
Cache CC00 – CFFF:	[Disabled]	
Cache D000 – D3FF:	[Disabled]	
Cache D400 – D7FF:	[Disabled]	
Cache D800 – DBFF:	[Disabled]	
Cache DC00 – DFFF:	[Disabled]	
Cache E000 – E3FF:	[Disabled]	
Cache E400 – E7FF:	[Disabled]	
Cache E800 – E8FF:	[Disabled]	
Cache EC00 – EFFF:	[Disabled]	
F1: Help ↑ ↓ : Select Item -/+ : Change Values F9: Setup Defaults Esc: Exit ← → : Select Screen Enter: Select ▶ Sub-Menu F10: Previous Values		

Feature	Option	Description
Memory Cache	Disabled	Set the state of memory cache.
	Enabled	
Cache A000-AFFF Cache B000-BFFF	Disabled	Control caching of the memory blocks.
	USHC	
	Write Through	
	Write Protect	
Cache C800-CBFF ~ Cache EC00-EFFF	Disabled	Control caching of the memory blocks.
	Write Through	
	Write Protect	
	Write Back	

3.8 - Security Menu

This menu has options for the Security options. Use the up and down <Arrow> keys to select an item. Use the <Plus> and <Minus> keys to change the value of the selected option.

PhoenixBIOS Setup Utility		
Boot		
Supervisor Password Is:		Item Specific Help
User Password Is:		
Set Supervisor Password		
Set User Password		
Password on boot:	[Disabled]	
Fixed disk boot sector:	[Normal]	
Diskette access:	[User]	
Virus check reminder:	[Disabled]	
System backup reminder:	[Disabled]	
F1: Help ↑ ↓ : Select Item -/+ : Change Values F9: Setup Defaults Esc: Exit ← → : Select Screen Enter: Select ▶ Sub-Menu F10: Previous Values		

Feature	Option	Description
Password on boot	Disabled	Enable password entry on boot.
	Enabled	
Fixed disk boot sector	Normal	Write protects boot sector on hard disk to protect against viruses.
	Write Protect	
Diskette access	User	Control access to diskette drives.
	Supervisor	
Virus check reminder	Disabled	Display reminder message at boot (daily, every Monday or 1 st of every month).
	Daily	
System back reminder	Disabled	Display reminder message at boot (daily, every Monday or 1 st of every month).
	Daily	

3.9 - BIOS Boot Menu

This menu has options for the Boot Device Priority. Use the up and down <Arrow> keys to select an item. Use the <Plus> and <Minus> keys to change the value of the selected option.

PhoenixBIOS Setup Utility		
Boot		
QuickBoot Mode:	[Disabled]	Item Specific Help
Boot-time Diagnostic Screen	[Disabled]	
Summary screen	[Disabled]	
▶ Boot Device Priority		
F1: Help ↑ ↓ : Select Item -/+ : Change Values F9: Setup Defaults Esc: Exit ← → : Select Screen Enter: Select ▶ Sub-Menu F10: Previous Values		

Feature	Option	Description
QuickBoot Mode	Disabled	Allow the system to skip certain tests while booting.
	Enabled	
Boot-time Diagnostic Screen	Disabled	Display the diagnostic screen during boot.
	Enabled	
Summary screen	Disabled	Display system configuration on boot.
	Enabled	
Boot Device Priority	Menu Item	Select the search order for the types of boot devices.

3.9.1 - Boot Device Priority

You can use this screen to select options for the Boot Device Priority settings. Follow the “Item Specific Help” on the right side to select, move or enable the item.

PhoenixBIOS Setup Utility		
Boot		
0: Legacy Floppy Drives		Item Specific Help
1: IDE0		Keys used to view or configure devices: Up and Down arrows Select a device <+> and <-> moves the device up and down. <f> and <r> moves the device fixed or removable. <x> exclude or include the device to boot. <shift+1> enables or disables a device <1-4> Loads default boot sequence.
2: IDE1		
3: IDE2		
4: IDE3		
5: PCI BEV: MBA v7.6.6 Slot 0130		
6:		
7:		
: USB FDC		
: USB HDD		
: ALL PCI SCSI		
: 1394 HDD		
: 1394 CD		
: Legacy Network Card		
F1: Help ↑ ↓ : Select Item -/+ : Change Values F9: Setup Defaults Esc: Exit ← → : Select Screen Enter: Select ► Sub-Menu F10: Previous Values		

The boot menu will list all bootable devices. Use <Enter> to expand or collapses devices with a '+' or '-'. Use <+> or <-> to arrange the priorities of all bootable devices.

3.10 - Power Menu

This menu has options for the Power management. Use the up and down <Arrow> keys to select an item. Use the <Plus> and <Minus> keys to change the value of the selected option.

PhoenixBIOS Setup Utility		
Boot		
Resume On Time	[Off]	Item Specific Help
Resume Time :	[00:00:00]	
Resume Date :	[00/00/0000]	
Resume On Modem Ring	[Off]	
Power Button Off	[Enabled]	
Spread Spectrum	[Disabled]	
Power Loss Control	[Stay off]	
F1: Help ↑ ↓ : Select Item -/+ : Change Values F9: Setup Defaults Esc: Exit ← → : Select Screen Enter: Select ► Sub-Menu F10: Previous Values		

Feature	Option	Description
Resume On Time	Off	Enable wakes the system up at a specific time.
	On	
Resume Time	00:00:00	Specify the time when the system is to wake up
Resume Date	00/00/0000	Specify the date when the system is to wake up
Resume On Modem Ring	Off	Enable wakes the system up when an incoming call is detected on your modem
	On	
Power Button Off	Enable	Enable will let power button possible to shutdown the system in legacy OS without holding for 4 seconds. Disable will force 4 second power button to shutdown the system.
	Disable	
Spread Spectrum	Disabled	Enable or disable Spread

	Enable	Spectrum.
Power Loss Control	Stay Off	Control power loss.
	Power On	

3.11 - BIOS Exit Menu

This menu has options for the Exit Priority. Use the up and down <Arrow> keys to select an item. Use the <Plus> and <Minus> keys to change the value of the selected option.

PhoenixBIOS Setup Utility	
Exit	
Exit Saving Changes Exit Discarding Changes	Item Specific Help
Load Setup Defaults Discard Changes Save Changes	Exit System Setup and save your changes to CMOS.
F1: Help ↑ ↓ : Select Item -/+ : Change Values F9: Setup Defaults Esc: Exit ← → : Select Screen Enter: Select ▶ Sub-Menu F10: Previous Values	

Exit Saving Changes

Use this option to exit setup utility and re-boot. All new selections you have made are stored into CMOS. System will use the new settings to boot up.

Exit Discarding Changes

Use this option to exit setup utility and re-boot. All new selections you have made are not stored into CMOS. System will use the old settings to boot up.

Load Setup Defaults

Use this option to load default setup values.

Discard Changes

Use this option to restore all new setup values that you have made but not saved in CMOS.

Save Changes

Use this option to restore all new setup values that you have made and saved in CMOS.

Chapter 4: Diagnostics

Note: if you experience problems with setting up your system, always check the following things in the following order:

Memory, Video, CPU

By checking these items, you will most likely find out what the problem might have been when setting up your system. For more information on troubleshooting, check the TYAN website at: <http://www.tyan.com>.

4.1 Beep Codes

Fatal errors, which halt the boot process, are communicated through a series of audible beeps. For example, if the BIOS POST can initialize the video but an error occurs, an error message will be displayed. If it cannot display the message, it will report the error as a series of beeps.

The most common type of error is a memory error.

Before contacting your vendor or TYAN Technical Support, be sure that you note as much as you can about the beep code length and order that you experience. Also, be ready with information regarding add-in cards, drives and O/S to speed the support process and come to a quicker solution.

4.2 Flash Utility

Every BIOS file is unique for the motherboard it was designed for. For Flash Utilities, BIOS downloads, and information on how to properly use the Flash Utility with your motherboard, please check the TYAN web site: <http://www.tyan.com/>

Note: Please be aware that by flashing your BIOS, you agree that in the event of a BIOS flash failure, you must contact your dealer for a replacement BIOS. There are no exceptions. TYAN does not have a policy for replacing BIOS chips directly with end users. In no event will TYAN be held responsible for damages done by the end user.

4.3 BIOS Post Code

Code	Beeps / Description	Code	Beeps / Description
02h	Verify Real Mode	32h	Test CPU bus-clock frequency
03h	Disable Non-Maskable Interrupt (NMI)	33h	Initialize Phoenix Dispatch Manager
04h	Get CPU type	36h	Warm start shut down
06h	Initialize system hardware	38h	Shadow system BIOS ROM
08h	Initialize chipset with initial POST values	3Ah	Autosize cache
09h	Set IN POST flag	3Ch	Advanced configuration of chipset registers
0Ah	Initialize CPU registers	3Dh	Load alternate registers with CMOS values
0Bh	Enable CPU cache	42h	Initialize interrupt vectors
0Ch	Initialize caches to initial POST values	45h	POST device initialization
0Eh	Initialize I/O component	46h	2-1-2-3. Check ROM copyright notice
0Fh	Initialize the local bus IDE	48h	Check video configuration against CMOS
10h	Initialize Power Management	49h	Initialize PCI bus and devices
11h	Load alternate registers with initial POST values	4Ah	Initialize all video adapters in system
12h	Restore CPU control word during warm boot	4Bh	QuietBoot start (optional)
13h	Initialize PCI Bus Mastering devices	4Ch	Shadow video BIOS ROM
14h	Initialize keyboard controller	4Eh	Display BIOS copyright notice
16h	1-2-2-3. BIOS ROM checksum	50h	Display CPU type and speed
17h	Initialize cache before memory autosize	51h	Initialize EISA board
18h	8254 timer initialization	52h	Test keyboard
1Ah	8237 DMA controller initialization	54h	Set key click if enabled
1Ch	Reset Programmable Interrupt Controller	58h	2-2-3-1. Test for unexpected interrupts
20h	1-3-1-1. Test DRAM refresh	59h	Initialize POST display service
22h	1-3-1-3. Test 8742 KBD Controller	5Ah	Display prompt "Press F2 to enter SETUP"
24h	Set ES segment register to 4 GB	5Bh	Disable CPU cache
26h	Enable A20 line	5Ch	Test RAM between 512 and 640 KB
28h	Autosize DRAM	60h	Test extended memory
29h	Initialize POST Memory Manager	62h	Test extended memory address lines
2Ah	Clear 512 KB base RAM	64h	Jump to UserPatch1
2Ch	1-3-4-1. RAM failure on address	66h	Configure advanced cache registers

2Eh	1-3-4-3. RAM failure on data bits of low byte of memory bus	67h	Initialize Multi Processor APIC
2Fh	Enable cache before svsystem BIOS shadow	68h	Enable external and CPU caches
30h	1-4-1-1. RAM failure on data bits of high byte of memory bus	69h	Setup System Management Mode (SMM) area
Code	Beeps / Description	Code	Beeps / Description
6Ah	Display external L2 cache size	A2h	Check key lock
6Bh	Load custom defaults (optional)	A4h	Initialize Typematic rate
6Ch	Display shadow-area message	A8h	Erase F2 prompt
6Eh	Display possible high address for UMB recovery	AAh	Scan for F2 key stroke
70h	Display error messages	ACh	Enter SETUP
72h	Check for configuration errors	A Eh	Clear Boot flag
76h	Check for keyboard errors	B0h	Check for errors
7Ch	Set up hardware interrupt vectors	B2h	POST done - prepare to boot operating system
7Eh	Initialize coprocessor if present	B4h	One short beep before boot
80h	Disable onboard Super I/O ports and IRQs	B5h	Terminate QuietBoot (optional)
81h	Late POST device initialization	B6h	Check password (optional)
82h	Detect and install external RS232 ports	B9h	Prepare Boot
83h	Configure non-MCD IDE controllers	BAh	Initialize DMI parameters
84h	Detect and install external parallel ports	BBh	Initialize PnP Option ROMs
85h	Initialize PC-compatible PnP ISA devices	BCh	Clear parity checkers
86h.	Re-initialize onboard I/O ports.	BDh	Display MultiBoot menu
87h	Configure Motherboard Devices	BEh	Clear screen (optional)
88h	Initialize BIOS Data Area	BFh	Check virus and backup reminders
89h	Enable Non-Maskable Interrupts (NMIs)	C0h	Try to boot with INT 19
8Ah	Initialize Extended BIOS Data Area	C1h	Initialize POST Error Manager (PEM)
8Bh	Test and initialize PS/2 mouse	C2h	Initialize error logging
8Ch	Initialize floppy controller	C3h	Initialize error display function
8Fh	Determine number of ATA drives (optional)	C4h	Initialize system error handler
90h	Initialize hard-disk controllers	C5h	PnPnd dual CMOS (optional)
91h	Initialize local-bus hard-disk controllers	C6h	Initialize notebook docking (optional)

92h	Jump to UserPatch2	C7h	Initialize notebook docking late
93h	Build MPTABLE for multi-processor boards	C8h	Force check (optional)
95h	Install CD ROM for boot	C9h	Extended checksum (optional)
96h	Clear huge ES segment register	D2h	BIOS Boot Block
97h	Fixup Multi Processor table	E0h	BIOS Boot Block
98h	1-2. Search for option ROMs.	E1h	BIOS Boot Block
99h	Check for SMART Drive (optional)	E2h	Initialize the CPU
9Ah	Shadow option ROMs	E3h	Initialize system timer
9Ch	Set up Power Management	E4h	Initialize system I/O
9Dh	Initialize security engine (optional)	E5h	Check force recovery boot
9Eh	Enable hardware interrupts	E6h	Checksum BIOS ROM
9Fh	Determine number of ATA and SCSI drives	E7h	Go to BIOS
A0h	Set time of day	E8h	Set Huge Segment
Code	Beeps / Description	Code	Beeps / Description
E9h	Initialize Multi Processor	F1h	Initialize Run Time Clock
EAh	Initialize OEM special code	F2h	Initialize video
EBh	Initialize PIC and DMA	F3h	Initialize System Management Mode
ECh	Initialize Memory type	F4h	Output one beep before boot
EDh	Initialize Memory size	F5h	Boot to Mini DOS
EEh	Shadow Boot Block	F6h	Clear Huge Segment
EFh	System memory test	F7h	Boot to Full DOS
F0h	Initialize interrupt vectors		

Glossary

ACPI (Advanced Configuration and Power Interface): a power management specification that allows the operating system to control the amount of power distributed to the computer's devices. Devices not in use can be turned off, reducing unnecessary power expenditure.

AGP (Accelerated Graphics Port): a PCI-based interface which was designed specifically for demands of 3D graphics applications. The 32-bit AGP channel directly links the graphics controller to the main memory. While the channel runs only at 66 MHz, it supports data transmission during both the rising and falling ends of the clock cycle, yielding an effective speed of 133 MHz.

ATAPI (AT Attachment Packet Interface): also known as IDE or ATA; a drive implementation that includes the disk controller on the device itself. It allows CD-ROMs and tape drives to be configured as master or slave devices, just like HDDs.

ATX: the form factor designed to replace the AT form factor. It improves on the AT design by rotating the board 90 degrees, so that the IDE connectors are closer to the drive bays, and the CPU is closer to the power supply and cooling fan. The keyboard, mouse, USB, serial, and parallel ports are built-in.

Bandwidth: refers to carrying capacity. The greater the bandwidth, the more data the bus, phone line, or other electrical path can carry. Greater bandwidth results in greater speed.

BBS (BIOS Boot Specification): a feature within the BIOS that creates, prioritizes, and maintains a list of all Initial Program Load (IPL) devices, and then stores that list in NVRAM. IPL devices have the ability to load and execute an OS, as well as provide the ability to return to the BIOS if the OS load process fails. At that point, the next IPL device is called upon to attempt loading of the OS.

BIOS (Basic Input/Output System): the program that resides in the ROM chip, which provides the basic instructions for controlling your computer's hardware. Both the operating system and application software use BIOS routines to ensure compatibility.

Buffer: a portion of RAM which is used to temporarily store data; usually from an application though it is also used when printing and in most keyboard drivers. The CPU can manipulate data in a buffer before copying it to a disk drive. While this improves system performance (reading to or writing from a disk drive a single time is much faster than doing so repeatedly) there is the possibility of

losing your data should the system crash. Information in a buffer is temporarily stored, not permanently saved.

Bus: a data pathway. The term is used especially to refer to the connection between the processor and system memory, and between the processor and PCI or ISA local buses.

Bus mastering: allows peripheral devices and IDEs to access the system memory without going through the CPU (similar to DMA channels).

Cache: a temporary storage area for data that will be needed often by an application. Using a cache lowers data access times since the information is stored in SRAM instead of slower DRAM. Note that the cache is also much smaller than your regular memory: a typical cache size is 512KB, while you may have as much as 4GB of regular memory.

Closed and open jumpers: jumpers and jumper pins are active when they are “on” or “closed”, and inactive when they are “off” or “open”.

CMOS (Complementary Metal-Oxide Semiconductors): chips that hold the basic startup information for the BIOS.

COM port: another name for the serial port, which is called as such because it transmits the eight bits of a byte of data along one wire, and receives data on another single wire (that is, the data is transmitted in serial form, one bit after another). Parallel ports transmit the bits of a byte on eight different wires at the same time (that is, in parallel form, eight bits at the same time).

DDR (Double Data Rate): a technology designed to double the clock speed of the memory. It activates output on both the rising and falling edge of the system clock rather than on just the rising edge, potentially doubling output.

DIMM (Dual In-line Memory Module): faster and more capacious form of RAM than SIMMs, and do not need to be installed in pairs.

DIMM bank: sometimes called DIMM socket because the physical slot and the logical unit are the same. That is, one DIMM module fits into one DIMM socket, which is capable of acting as a memory bank.

DMA (Direct Memory Access): channels that are similar to IRQs. DMA channels allow hardware devices (like soundcards or keyboards) to access the main memory without involving the CPU. This frees up CPU resources for other tasks. As with IRQs, it is vital that you do not double up devices on a single line. Plug-n-Play devices will take care of this for you.

DRAM (Dynamic RAM): widely available, very affordable form of RAM which loses data if it is not recharged regularly (every few milliseconds). This refresh requirement makes DRAM three to ten times slower than non-recharged RAM such as SRAM.

ECC (Error Correction Code or Error Checking and Correcting): allows data to be checked for errors during run-time. Errors can subsequently be corrected at the same time that they're found.

EEPROM (Electrically Erasable Programmable ROM): also called Flash BIOS, it is a ROM chip which can, unlike normal ROM, be updated. This allows you to keep up with changes in the BIOS programs without having to buy a new chip. TYAN's BIOS updates can be found at <http://www.tyan.com>

ESCD (Extended System Configuration Data): a format for storing information about Plug-n-Play devices in the system BIOS. This information helps properly configure the system each time it boots.

Firmware: low-level software that controls the system hardware.

Form factor: an industry term for the size, shape, power supply type, and external connector type of the Personal Computer Board (PCB) or motherboard. The standard form factors are the AT and ATX.

Global timer: onboard hardware timer, such as the Real-Time Clock (RTC).

HDD: stands for Hard Disk Drive, a type of fixed drive.

H-SYNC: controls the horizontal synchronization/properties of the monitor.

HyperTransport™: a high speed, low latency, scalable point-to-point link for interconnecting ICs on boards. It can be significantly faster than a PCI bus for an equivalent number of pins. It provides the bandwidth and flexibility critical for today's networking and computing platforms while retaining the fundamental programming model of PCI.

IC (Integrated Circuit): the formal name for the computer chip.

IDE (Integrated Device/Drive Electronics): a simple, self-contained HDD interface. It can handle drives up to 8.4 GB in size. Almost all IDEs sold now are in fact Enhanced IDEs (EIDEs), with maximum capacity determined by the hardware controller.

IDE INT (IDE Interrupt): a hardware interrupt signal that goes to the IDE.

I/O (Input/Output): the connection between your computer and another piece of hardware (mouse, keyboard, etc.)

IRQ (Interrupt Request): an electronic request that runs from a hardware device to the CPU. The interrupt controller assigns priorities to incoming requests and delivers them to the CPU. It is important that there is only one device hooked up to each IRQ line; doubling up devices on IRQ lines can lock up your system. Plug-n-Play operating systems can take care of these details for you.

Latency: the amount of time that one part of a system spends waiting for another part to catch up. This occurs most commonly when the system sends data out to a peripheral device and has to wait for the peripheral to spread (peripherals tend to be slower than onboard system components).

NVRAM: ROM and EEPROM are both examples of Non-Volatile RAM, memory that holds its data without power. DRAM, in contrast, is volatile.

Parallel port: transmits the bits of a byte on eight different wires at the same time.

PCI (Peripheral Component Interconnect): a 32 or 64-bit local bus (data pathway) which is faster than the ISA bus. Local buses are those which operate within a single system (as opposed to a network bus, which connects multiple systems).

PCI PIO (PCI Programmable Input/Output) modes: the data transfer modes used by IDE drives. These modes use the CPU for data transfer (in contrast, DMA channels do not). PCI refers to the type of bus used by these modes to communicate with the CPU.

PCI-to-PCI bridge: allows you to connect multiple PCI devices onto one PCI slot.

Pipeline burst SRAM: a fast secondary cache. It is used as a secondary cache because SRAM is slower than SDRAM, but usually larger. Data is cached first to the faster primary cache, and then, when the primary cache is full, to the slower secondary cache.

PnP (Plug-n-Play): a design standard that has become ascendant in the industry. Plug-n-Play devices require little set-up to use. Devices and operating systems that are not Plug-n-Play require you to reconfigure your system each time you add or change any part of your hardware.

PXE (Preboot Execution Environment): one of four components that together make up the Wired for Management 2.0 baseline specification. PXE was designed to define a standard set of preboot protocol services within a client with the goal of allowing networked-based booting to boot using industry standard protocols.

RAID (Redundant Array of Independent Disks): a way for the same data to be stored in different places on many hard drives. By using this method, the data is stored redundantly and multiple hard drives will appear as a single drive to the operating system. RAID level 0 is known as striping, where data is striped (or overlapped) across multiple hard drives, but offers no fault-tolerance. RAID level 1 is known as mirroring, which stores the data within at least two hard drives, but does not stripe. RAID level 1 also allows for faster access time and fault-tolerance, since either hard drive can be read at the same time. RAID level 0+1 is both striping and mirroring, providing fault-tolerance, striping, and faster access all at the same time.

RAIDIOS: RAID I/O Steering (Intel)

RAM (Random Access Memory): technically refers to a type of memory where any byte can be accessed without touching the adjacent data and is often referred to the system's main memory. This memory is available to any program running on the computer.

ROM (Read-Only Memory): a storage chip which contains the BIOS; the basic instructions required to boot the computer and start up the operating system.

SDRAM (Synchronous Dynamic RAM): called as such because it can keep two sets of memory addresses open simultaneously. By transferring data alternately from one set of addresses and then the other, SDRAM cuts down on the delays associated with non-synchronous RAM, which must close one address bank before opening the next.

Serial port: called as such because it transmits the eight bits of a byte of data along one wire, and receives data on another single wire (that is, the data is transmitted in serial form, one bit after another).

SCSI Interrupt Steering Logic (SISL): Architecture that allows a RAID controller, such as AcceleRAID 150, 200 or 250, to implement RAID on a system board-embedded SCSI bus or a set of SCSI busses. SISL: SCSI Interrupt Steering Logic (LSI) (only on LSI SCSI boards)

Sleep/Suspend mode: in this mode, all devices except the CPU shut down.

SDRAM (Static RAM): unlike DRAM, this type of RAM does not need to be refreshed in order to prevent data loss. Thus, it is faster and more expensive.

Standby mode: in this mode, the video and hard drives shut down; all other devices continue to operate normally.

UltraDMA-33/66/100: a fast version of the old DMA channel. UltraDMA is also called UltraATA. Without a proper UltraDMA controller, your system cannot take advantage of higher data transfer rates of the new UltraDMA/UltraATA hard drives.

USB (Universal Serial Bus): a versatile port. This one port type can function as a serial, parallel, mouse, keyboard or joystick port. It is fast enough to support video transfer, and is capable of supporting up to 127 daisy-chained peripheral devices.

VGA (Video Graphics Array): the PC video display standard

V-SYNC: controls the vertical scanning properties of the monitor.

ZCR (Zero Channel RAID): PCI card that allows a RAID card to use the onboard SCSI chip, thus lowering cost of RAID solution

ZIF Socket (Zero Insertion Force socket): these sockets make it possible to insert CPUs without damaging the sensitive CPU pins. The CPU is lightly placed in an open ZIF socket, and a lever is pulled down. This shifts the processor over and down, guiding it into the board and locking it into place.

Technical Support

If a problem arises with your system, you should turn to your dealer for help first. Your system has most likely been configured by them, and they should have the best idea of what hardware and software your system contains. Furthermore, if you purchased your system from a dealer near you, you can bring your system to them to have it serviced instead of attempting to do so yourself (which can have expensive consequences).

Help Resources:

1. See the beep codes section of this manual.
2. See the TYAN website for FAQ's, bulletins, driver updates, and other information: <http://www.tyan.com>
3. Contact your dealer for help BEFORE calling TYAN.
4. Check the TYAN user group:
alt.comp.periphs.mainboard.TYAN

Returning Merchandise for Service

During the warranty period, contact your distributor or system vendor FIRST for any product problems. This warranty only covers normal customer use and does not cover damages incurred during shipping or failure due to the alteration, misuse, abuse, or improper maintenance of products.

NOTE: A receipt or copy of your invoice marked with the date of purchase is required before any warranty service can be rendered. You may obtain service by calling the manufacturer for a Return Merchandise Authorization (RMA) number. The RMA number should be prominently displayed on the outside of the shipping carton and the package should be mailed prepaid. TYAN will pay to have the board shipped back to you.



Notice for the USA

Compliance Information Statement (Declaration of Conformity Procedure) DoC

FCC Part 15: This device complies with part 15 of the FCC Rules

Operation is subject to the following conditions:

This device may not cause harmful interference, and
This device must accept any interference received including interference that may cause undesired operation. If this equipment does cause harmful interference to radio or television reception, which can be determined by turning the equipment off and on, the user is encouraged to try one or more of the following measures:

Reorient or relocate the receiving antenna.
Increase the separation between the equipment and the receiver.
Plug the equipment into an outlet on a circuit different from that of the receiver.
Consult the dealer on an experienced radio/television technician for help.

Notice for Canada

This apparatus complies with the Class B limits for radio interference as specified in the Canadian Department of Communications Radio Interference Regulations. (Cet appareil est conforme aux norms de Classe B d'interference radio tel que specifie par le Ministere Canadien des Communications dans les reglements d'interference radio.)



Notice for Europe (CE Mark)

This product is in conformity with the Council Directive 89/336/EEC, 92/31/EEC (EMC).

CAUTION: Lithium battery included with this board. Do not puncture, mutilate, or dispose of battery in fire. Danger of explosion if battery is incorrectly replaced. Replace only with the same or equivalent type recommended by manufacturer. Dispose of used battery according to manufacturer instructions and in accordance with your local regulations.

Document #: D1681-100

Free Manuals Download Website

<http://myh66.com>

<http://usermanuals.us>

<http://www.somanuals.com>

<http://www.4manuals.cc>

<http://www.manual-lib.com>

<http://www.404manual.com>

<http://www.luxmanual.com>

<http://aubethermostatmanual.com>

Golf course search by state

<http://golfingnear.com>

Email search by domain

<http://emailbydomain.com>

Auto manuals search

<http://auto.somanuals.com>

TV manuals search

<http://tv.somanuals.com>