



The well proven design of the Keystone F792 Low Profile Switchbox has been upgraded to simplify switch setting, site wiring and weatherproof integrity.

Features

- Cams specially designed to operate either V9 microswitches or proximity sensors
- General purpose dustproof and weatherproof enclosure to IP65 rating.
- Switches prewired to terminal strip.
- Cable entries: 2-off Pg 13.5.
- Suitable for direct mounting to Keystone F790 actuators.
- Simple screw driver cam setting.
- Independently, top adjustable cams, accessible at all degrees of opening.
- Infinitely adjustable.
- Locking screw provides full face friction of the cams ensuring optimum repeatability, as cams firmly lock after adjustment.
- Clearly visible position indicator.
- Anodised and ESPC* aluminium enclosure provides full environmental protection.
- Readily adaptable to suit all rotary actuators.
- Terminal strip angled for easy wiring.
- * Electrostatic powder coating.

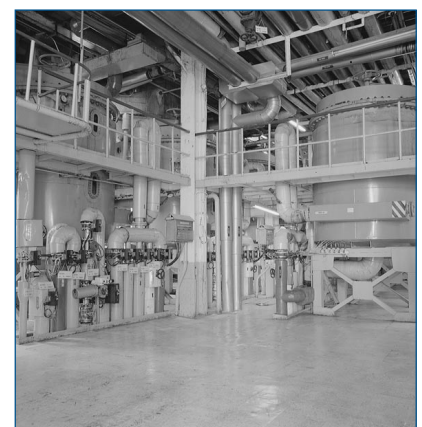
Options

- V9 microswitches.
- Inductive proximity sensors.
- Pneumatic switches.
- Direct mounted High Visibility Indicator.

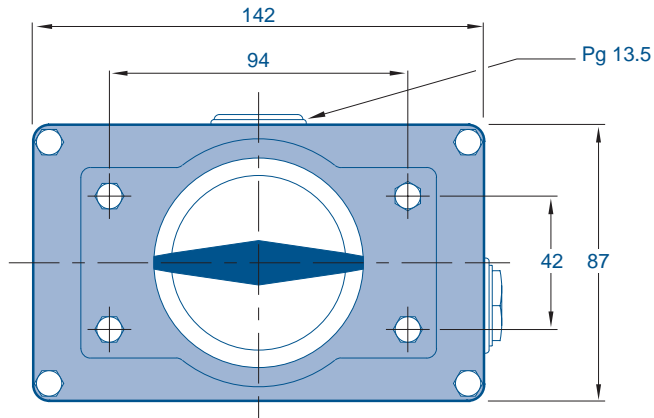
General Applications

For position sensing on manual or automated valves in general industrial environments.

Refer F792-K series Switchboxes for hazardous applications.



Controls - F792 Switchbox LP Series



Operating Specifications

Temperature Rating:

Minus 25°C to 60°C for Micro and Proximity switches.

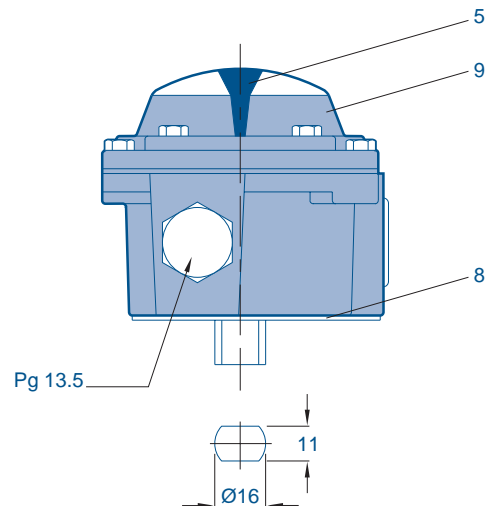
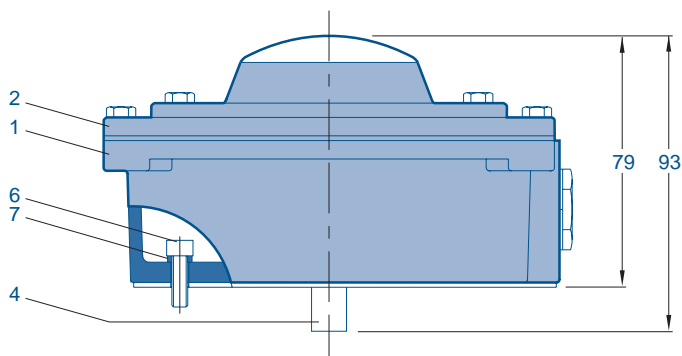
Minus 15°C to 60°C for Pneumatic switches.

Enclosure Protection:

IP65 dust and weatherproof.

Action:

360° rotary normally set for 90° action.



Parts List

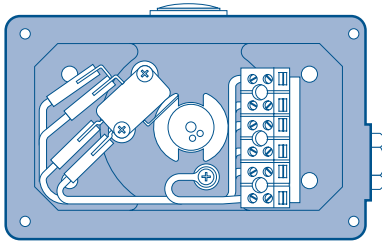
No.	Description	Material
1	Body	Die cast aluminium LM24 (anodised and ESPC* coated)
2	Cover	Die cast aluminium LM24 (anodised and ESPC* coated)
3	Cams (not shown)	Acetal
4	Shaft	Acetal
5	Position Indicator	A.B.S. (acrylonitrile butadiene styrene)
6	Fasteners	Stainless Steel
7	Fastener Seals	Nylon
8	Gasket	Nitrile
9	Dome	Ektar (DN004 copolyester)

Note:

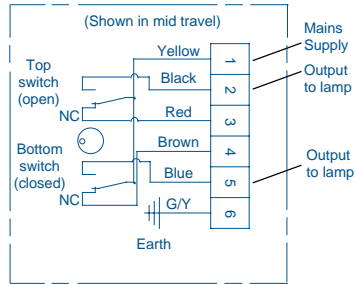
*Electrostatic powder coating.

Controls – F792 Switchbox LP Series

Electrical Switch Plan

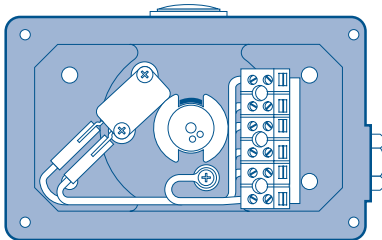


Electrical Switch Wiring Diagram

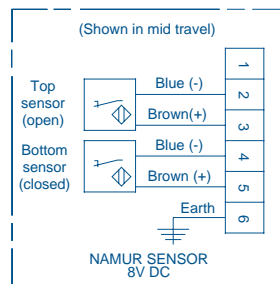


Option 1 Low profile switchbox with two V9 single pole double throw microswitches

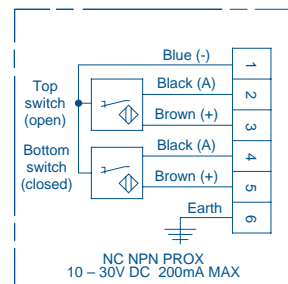
Proximity Plan



Proximity Wiring Diagram

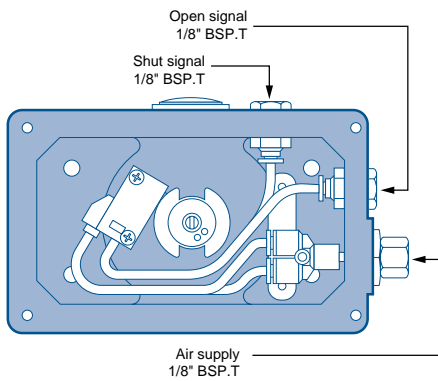


Note:
2 Wire Schematic Illustrated.

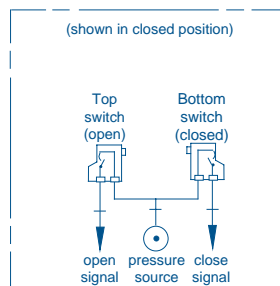


Note:
3 Wire Schematic Illustrated.

Pneumatic Switch Plan



Pneumatic Switch Wiring Diagram



Caution:
Reverse air connections will cause venting into enclosure.

Option 3 Low profile switchbox with two pneumatic switches

Controls - F792 Switchbox LP Series

Microswitch Specifications

	Voltage (Volts)	Resistive load (Amps)	Tungsten lamp load (amps)		Inductive load (Amps)
			NC	NO	
AC	125	10	2	1	10
	250	10	1.5	1	10
DC	Up to 15	15	3	1.5	15
	30	10	3	1.5	10
	50	3	0.8	0.8	2.5
	75	1	0.6	0.6	0.5
	125	0.5	0.5	0.5	0.07
	250	0.25	0.25	0.25	0.03

Proximity Sensor Specifications – 2 & 3 Wire Specification

Proximity Sensor- 2 wire specification

- Type:** Pepperl & Fuchs NJ2-V3-N or equivalent
- Sensing Distance:** 2mm maximum (metal face). NB separate amplifier required
- Supply:** 8V DC (Ri approx. 1k0hm)
- Output:**
- Sensor absent - 3mA or above
 - Sensor present - 1mA or below

Proximity Switch - 3 wire specification

- Type:** Bailiff BES 5173
- Supply Voltage:** 10-30VDC
- Current:** ≤ 200mA
- Frequency:** ≤ 1500Hz

Pneumatic Switch Specifications

- Signal connections:** 4mm O.D. tube.
- Switch details:**
- Telemecanique PXC-M111 or equivalent
 - 2 switches per box
 - Switches normally non passing (NNP)
 - Capacity – 60 L/min at 550 kPa to atmosphere
 - pressure range 300 – 800 kPa
- Temperature range:** Minus 15°C to 60°C

For Trimming Only DO NOT PRINT



Controls - F792 Switchbox LP Series

Typical Description – Electrical Switches

F792	LSB	LP	WP	2SPDT	240VAC
Figure No.	Limit Switchbox	Type (Low Profile)	Enclosure Rating (weatherproof)	Switch Type	Voltage

Typical Description – Proximity Sensors/Switches

F792	LSB	LP	WP	Prox	NO	PNP
Figure No.	Limit Switchbox	Type (Low Profile)	Enclosure Rating (weatherproof)	Proximity	Action Normally Open	Switch Style

Typical Description – Pneumatic Switches

F792	LSB	LP	WP	Pneu	NNP
Figure No.	Limit Switchbox	Type (Low Profile)	Enclosure Rating (weatherproof)	Pneumatic Switch	Action Normally Non Passing

Selection Guide

EDP Description	Part No.	Comments
F792 LSB LP WP 2SPDT 20-260VAC	422987	Weatherproof type with two 240 VAC electrical switches
F792 LSB LP WP PROX NAMUR	169555	Weatherproof type with two 8 VDC proximity sensors
F792 LSB LP WP PROX NO PNP	642884	Weatherproof type with two 10-30 VDC proximity switches
F792 LSB LP WP PROX NC PNP	764321	Weatherproof type with two 24 VDC proximity switches
F792 LSB LP WP PROX NO NPN	768482	Weatherproof type with two 24 VDC proximity switches
F792 LSB LP WP PROX NC NPN	252866	Weatherproof type with two 24 VDC proximity switches
F792 LSB LP WP PROX AC	116538	Weatherproof type with two 20-260 VAC proximity switches
F792 LSB LP WP 2 PNEU NNP	812791	Weatherproof type with two pneumatic switches

Note:

- SPDT = Single Pole Double Throw
- NO = Normally Open
- NC = Normally Closed
- NNP = Normally Non Passing

Free Manuals Download Website

<http://myh66.com>

<http://usermanuals.us>

<http://www.somanuals.com>

<http://www.4manuals.cc>

<http://www.manual-lib.com>

<http://www.404manual.com>

<http://www.luxmanual.com>

<http://aubethermostatmanual.com>

Golf course search by state

<http://golfingnear.com>

Email search by domain

<http://emailbydomain.com>

Auto manuals search

<http://auto.somanuals.com>

TV manuals search

<http://tv.somanuals.com>