



Stainless

## CLR2I60SOD

**OUTDOOR SERIES**

### FEATURES

**PERFORMANCE**

- Daily ice rate of up to 60 lbs and storage of up to 30 lbs of clear ice cubes (7/8"W x 7/8"H x 7/8"L)
- Order unit with or without factory installed P60 drain pump
- Drain required, drain line kit included to ensure proper installation
- Touch glass digital control featuring easy view command center manages key functions such as adjusting desired cube density with a single touch
- Easiest clear ice machine to clean and the clean indicator alert lets you know when it's time to clean the unit, the 45 minute cleaning cycle ensures high quality ice production and helps maintain proper operation
- Silence mode temporarily suspends ice making for three hours
- Sabbath / Blackout mode turns off all lighting, controls display and automatically resets after 36 hours
- UL residential and outdoor listing

**INTERIOR / EXTERIOR**

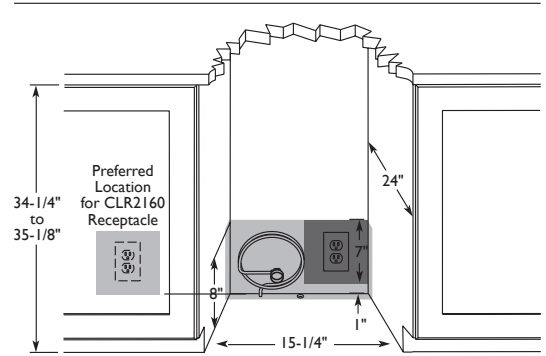
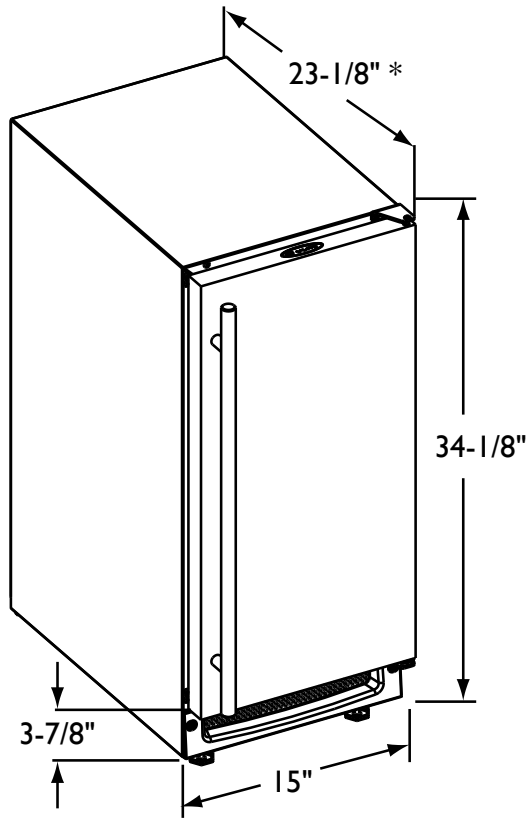
- Standard professional stainless steel handle is 1-1/4" diameter and is interchangeable with commercial handle option
- Full wrap stainless door; unit must be ordered right or left hand hinged
- Full stainless steel cabinet and deemed suitable for outdoor use by UL
- Self closing door ensures a positive door seal and prevents door bounce back

**INTEGRATION**

- Unit can be built-in or freestanding providing a custom aesthetic
- Allow a 2-1/2" clearance on hinged side for 90° door opening when installed adjacent to a wall
- Allow 1/4" width overall for proper installation (see backside for details)
- No additional clearance around sides, top or rear of unit is needed for ventilation
- Durable, factory installed level legs provide a more precise undercounter fit
- Do not obstruct front grille air flow



Durable outdoor units come fully wrapped in stainless with a 1-1/4" diameter professional handle.



CLR2160SOD Stainless Model  
 \* Add 3/4" to depth for drain line clearance

**DIMENSIONS AND SPECIFICATIONS**

**OVERALL DIMENSIONS**

|                                |                     |
|--------------------------------|---------------------|
| Height                         | 34-1/8" (86.6)      |
| Width                          | 15" (38.1)          |
| Depth                          | 23-1/8" (58.7)      |
| With stainless steel handle    | 25" (63.5)          |
| <b>Shipping weight:</b>        | 144 lbs (65 kg)     |
| Running amps                   | 4.0                 |
| Maximum start-up amps          | 26.5                |
| Amps pertain to voltage rating | 110/115 volt, 60 Hz |

**Capacities:**

|                                  |                   |
|----------------------------------|-------------------|
| Defrost technology               | Automatic defrost |
| Approximate daily ice production | Up to 60 lbs      |
| Ice storage                      | Up to 30 lbs      |

| CLR2160SOD                      |                 |
|---------------------------------|-----------------|
| Stainless Right-hand, no pump   | U-CLR2160SOD-00 |
| Stainless Right-hand, with pump | U-CLR2160SOD-40 |
| Stainless Left-hand, no pump    | U-CLR2160SOD-01 |
| Stainless Left-hand, with pump  | U-CLR2160SOD-41 |

Please visit [www.u-line.com](http://www.u-line.com) for installation guide.  
 All specifications are subject to change without notice.



## Free Manuals Download Website

<http://myh66.com>

<http://usermanuals.us>

<http://www.somanuals.com>

<http://www.4manuals.cc>

<http://www.manual-lib.com>

<http://www.404manual.com>

<http://www.luxmanual.com>

<http://aubethermostatmanual.com>

Golf course search by state

<http://golfingnear.com>

Email search by domain

<http://emailbydomain.com>

Auto manuals search

<http://auto.somanuals.com>

TV manuals search

<http://tv.somanuals.com>