

**BI1215SOD • 15" Outdoor Crescent Ice Maker • Outdoor Series**

**FEATURES & BENEFITS**



STAINLESS SOLID (LOCK)

<b>PERFORMANCE</b>	<ul style="list-style-type: none"> <li>• Uses less than 3 gallons of water to produce up to 25 lbs of ice per day</li> <li>• Up to 25 lbs in ice storage capacity</li> <li>• Daily ice production rate is approx. 4 times greater than the average household refrigerator</li> <li>• Crescent ice cube dimensions: 1/2" W x 3/4" H x 1/2" L</li> <li>• On/Off switch is conveniently located on lower face of unit</li> </ul>
<b>INTERIOR/EXTERIOR</b>	<ul style="list-style-type: none"> <li>• No drain required</li> <li>• Standard professional stainless steel handle is interchangeable with commercial handle accessory</li> <li>• Full stainless steel cabinet and door are deemed suitable for outdoor use by UL</li> <li>• Door swing is field reversible</li> </ul>
<b>INTEGRATION</b>	<ul style="list-style-type: none"> <li>• Unit is designed to be built-in or can be freestanding</li> <li>• Four independently adjustable leveling legs provide a precise undercounter fit</li> </ul>

**MODEL DETAILS**

Model	Voltage	Door Swing	Finish	Shipping Weight
U-BI1215SOD-00A	115	Field Reversible	Stainless Solid (Lock)	89 lbs

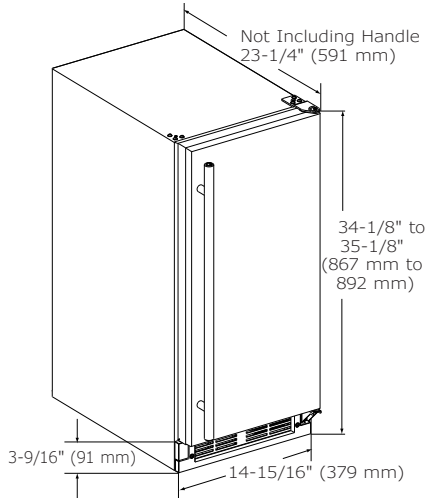
**ACCESSORIES**

Model	Description	Finish	Shipping Weight
23074	Professional Door Handle, 1 1/4" Diameter	Stainless	2 lbs
23073	Commercial Door Handle, 7/8" Diameter	Stainless	2 lbs

Outdoor Series • 15" Outdoor Crescent Ice Maker • **BI1215SOD**

**DIMENSIONS**

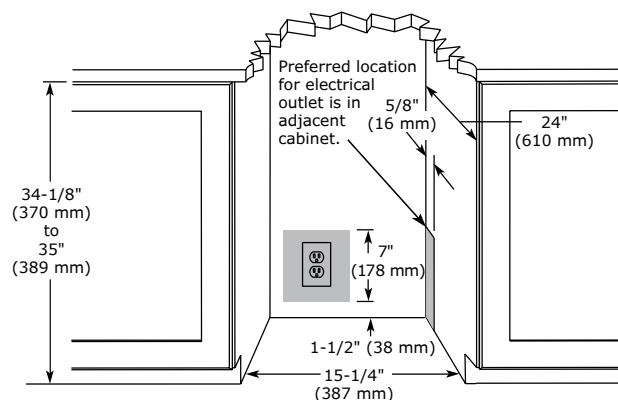
Dimensions shown apply to all finishes.



**SPECIFICATIONS**

Model	BI1215SOD
Amps: Running	2.5
Control Type	On/Off Switch
Defrost Type	Manual
Dimensions: Depth	23 ¼" / 591 mm
Dimensions: Height	34 ⅞" / 867 mm
Dimensions: Width	14 ⅝" / 379 mm
ENERGY STAR	na
Ice Production Per Day	25 lbs
Ice Storage	25 lbs
Product Weight: Max	83 lbs
Refrigerant Type	R134a
Sabbath (Star K Certified)	No

**CABINET CUT-OUT**



**INSTALLATION NOTES**

- When installing adjacent to wall, ensure 2-1/2" clearance on hinged side for 90° door opening, allowing ample room for door handle.
- No additional clearance around sides, top or rear of unit is needed for ventilation.
- Do not obstruct front grille air flow.

**ELECTRICAL REQUIREMENTS**

This unit requires a grounded a polarized 115 VAC, 60 Hz, 15 A power supply (normal household current).



Please visit [u-line.com](http://u-line.com) to view this model's User Guide. All specifications are subject to change without notice.

Deemed suitable for outdoor use by UL.

## Free Manuals Download Website

<http://myh66.com>

<http://usermanuals.us>

<http://www.somanuals.com>

<http://www.4manuals.cc>

<http://www.manual-lib.com>

<http://www.404manual.com>

<http://www.luxmanual.com>

<http://aubethermostatmanual.com>

Golf course search by state

<http://golfingnear.com>

Email search by domain

<http://emailbydomain.com>

Auto manuals search

<http://auto.somanuals.com>

TV manuals search

<http://tv.somanuals.com>