

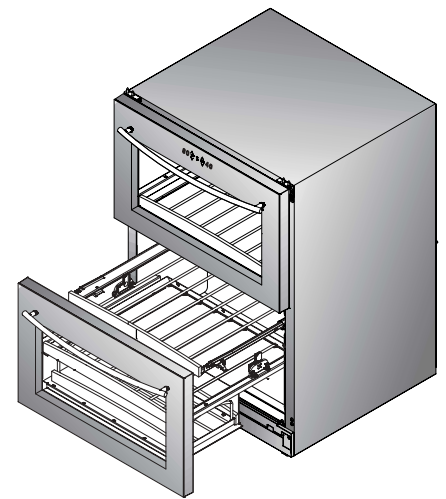
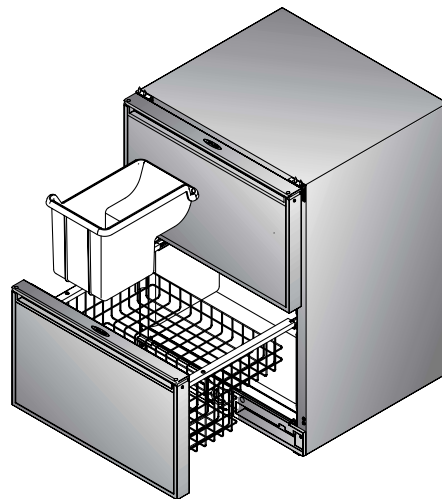
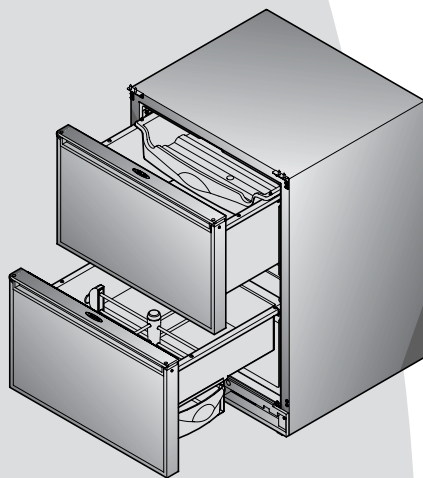
*Échelon*<sup>™</sup>



# Service and Parts Manual Supplement

For Models

- 2075DWRR • CO2075DWR • 2075DWRWC



U-Line Corporation  
8900 North 55th Street  
Milwaukee, WI 53223

U-Line Corporation  
PO Box 245040  
Milwaukee, WI 53224-9540

[www.U-LineService.com](http://www.U-LineService.com)

Phone (414) 354-0300 • FAX (414) 354-7905  
Service & Parts Tech Lines Phone (800) 779-2547 • FAX (414) 354-5696





---

# General Information

---

**2075DWRR**

---

**2075DWRWC**

---

**CO2075DWR**





## INTRODUCTION

Three generations of pride and quality manufacturing and design improvements are built into all U-Line products. The result: U-Line leads the market with innovative technology and superior craftsmanship.

This manual contains specific instructions for servicing the U-Line Échelon 2075DWRR, CO2075DWR and 2075DWRWC.

### Potential Problems With HFC-134A

This Service Manual has been written to cover product manufactured with HFC-134a. HFC-134A compressors will be received with a synthetic based ester oil charge. The hygroscopic (water attraction) property of ester oil is many times greater than that of the mineral oils previously used with CFC-12. High system moisture causes the formation of acids and alcohol which can damage the compressor. Systems should not be left open for more than fifteen (15) minutes at any time as humidity from the air will enter system. To assure system dehydration, the system should be pulled down to 100 microns and vacuum pump oil (mineral oil) must not be allowed to enter the system.

Cleanliness of the system will be extremely important. The presence of residues (chlorinated or greasy residues, mineral oil, or impurities) can lead to capillary tube restrictions, oil return problems and compressor damage. Flux must not be used on brazed joints.



## SERIAL NUMBER FORMAT

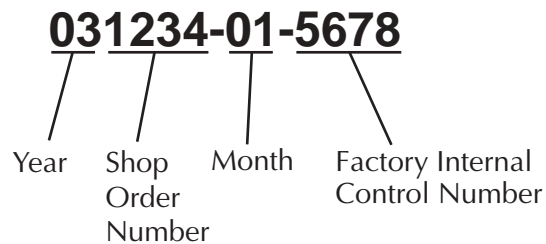
The serial number is divided into four segments. A typical serial number is 031234-01-5678.

The first two digits of the first segment, 03, represent the year the unit was made.

The next four digits, 1234, represent the shop order number. Every model is assigned a new shop order number at the beginning of a production run.

The second two digit segment, 01, represents the month the unit was made.

The last four digits, 5678, are an internal control number used at U-Line Corporation.



---



# General Information



*É c h e l o n*

*É c h e l o n*





## LIMITED WARRANTY

U-Line Corporation warrants each U-Line product to be free from defects in materials and workmanship for a period of one year from the date of purchase; and warrants the sealed system (consisting of the compressor, the condenser, the evaporator, the hot gas bypass valve, the dryer and the connecting tubing) in each U-Line product to be free from defects in materials and workmanship for a period of five years from the date of purchase. During the initial one-year warranty period for all U-Line products U-Line shall: (1) at U-Line's option, repair any product or replace any part of a product that breaches this warranty; and (2) for all Marine, RV and Domestic U-Line products sold and serviced in the United States (including Alaska and Hawaii) and Canada, U-Line shall cover the labor costs incurred in connection with the replacement of any defective part. During years two through five of the warranty period for the sealed system, U-Line shall: (1) repair or replace any part of the sealed system that breaches this warranty; and (2) for all Marine, RV and Domestic U-Line products sold and serviced in the United States (including Alaska and Hawaii) and Canada, U-Line shall cover the labor costs incurred in connection with the replacement of any defective part of the sealed system. All other charges, including transportation charges for replacements under this warranty and labor costs not specifically covered by this warranty, shall be borne by you. This warranty is extended only to the original purchaser of the U-Line product. The Registration Card included with the product should be promptly completed by you and mailed back to U-Line, or you can register on-line at [www.U-LineService.com](http://www.U-LineService.com).

The following are excluded from this limited warranty: installation charges; damages caused by disasters or acts of God, such as fire, floods, wind and lightning; damages incurred or resulting from shipping, improper installation, unauthorized modification, or misuse/abuse of the product; customer education calls; food loss/spoilage; door and water level adjustments (except during the first 90 days from the date of purchase); defrosting the product; adjusting the controls; door reversal; or cleaning the condenser.

If a product defect is discovered during the applicable warranty period, you must promptly notify either the dealer from whom you purchased the product or U-Line at P.O. Box 23220, Milwaukee, Wisconsin 53223 or at 414-354-0300. In no event shall such notification be received later than 30 days after the expiration of the applicable warranty period. U-Line may require that defective parts be returned, at your expense, to U-Line's factory in Milwaukee, Wisconsin, for inspection. Any action by you for breach of warranty must be commenced within one year after the expiration of the applicable warranty period.

**This limited warranty is in lieu of any other warranty, express or implied, including, but not limited to any implied warranty of merchantability or fitness for a particular purpose; provided however, that to the extent required by law, implied warranties are included but do not extend beyond the duration of the express warranty first set forth above. U-Line's sole liability and your exclusive remedy under this warranty is set forth in the initial paragraph above. U-Line shall have no liability whatsoever for any incidental, consequential or special damages arising from the sale, use or installation of the product or from any other cause whatsoever, whether based on warranty (express or implied) or otherwise based on contract, tort or any other theory of liability.**

Some states do not allow limitations on how long an implied warranty lasts or the exclusion or limitation of incidental or consequential damages, so the above limitations may not apply to you. This warranty gives you specific legal rights, and you may also have other rights which vary from state to state.



## WARRANTY CLAIMS PROCEDURE

**When submitting claims for warranty payment, please follow these guidelines.**

You can use any form you would normally use to bill your customer (your own computer generated form, Narda, USA, etc.).

The model and serial number **MUST** be on the claims. Claims will not be paid without a model and serial number.

If you work on more than one unit per service call please submit a separate claim for each unit.

We track all defects through warranty claims, so please be specific on what the repair was. If it is a system leak, please specify where the leak was.

Please be sure the claim is legible. If the claim form cannot be read, it will be returned, unpaid.

U-Line will **not** cover part or labor claims for the replacement of a complete ice maker assembly. All ice maker parts are available as replacement parts and are stocked in our inventory. **Remember:** we do not pay customer education calls. Door and water level adjustments are 90 day warranties only.

If you are changing out a unit please supply the model and serial number of both units (the unit being replaced and the new unit) and the R.A. number.

If a copy of the Proof of Purchase/Install is not available at the site, the technician should record the following information on the Labor Invoice:

- The name of the selling Dealer
- The date of purchase/installation
- The Order or Invoice number (if available)
- The type of document they saw i.e. Store Receipt, Closing Papers, Sign-Off of Building Permit, Final Walk Through, etc.

At U-Line, parts and labor claims are paid separately. Included in labor are freon and recovery charges, all other parts are handled by the parts department. We require that some parts be returned to us, so we may return them to our vendor. It will be noted on your packing list if we require you to return the part. If a part is to be returned please include a copy of the packing list and a copy of your claim. If the part was purchased at one of our part distributors, you must handle the part warranty with that company. For labor payment please send a readable copy of your claim to U-Line Corporation, P.O. Box 245040, Milwaukee WI, 53224-9540, for warranty payment, or fax a legible copy to 414-354-5696.



## PARTS LISTING

### How to Order Replacement Parts

1. Locate the illustration(s) for the model you are servicing.
2. Refer to the area where the desired part would be installed, locate the part and note the item number assigned to it.
3. Locate the item number in the left column of the parts listing which is on the next page from the product illustration. Note the full description and the corresponding part number. If this is for a warranty unit, please indicate and record the model and serial numbers.
4. When ordering parts, it will be necessary to supply us with Model Number, Serial Number, Part Number, Part Description and in some cases Color or Voltage.
5. U-Line requires the return of the parts listed below if replaced under warranty.
  - Fan motors (condenser and evaporator)
  - Temperature controls
  - Water solenoid valves
  - Pumps
  - Control boards (with thermistors)
  - Ice maker motors
  - Bypass solenoids
  - Compressors (two years old or less - lines soldered closed)

All warranty parts will be shipped at no charge as long as warranty status has been confirmed. We require that some parts be returned to us, so we may return them to our vendor. It will be noted on your packing list if we require you to return a part or if you may field scrap it. If U-Line requires a defective part to be returned, a prepaid shipping label will be included with your new replacement part. When returning parts please enclose a copy of your packing list and a copy of your labor claim, showing the model and serial number, and tag or label the part with the nature of the defect.

Our warranty records may not match the customer's information. In this case a proof of purchase will be required. If you do not have the proof of purchase at the time the order is placed, the part will be sent net 15 days (COD if you don't have an open account with U-Line Corporation). When the proof of purchase is provided we will credit your account (a check will be sent if the part was sent COD).

6. Parts may be ordered on-line or by FAX or phone.

On-Line:            [www.U-LineService.com](http://www.U-LineService.com)  
 FAX Number:      (414) 354-7905  
 Phone Number:   (414) 354-0300 or (414) 354-7885; press 3

**To expedite parts shipments, on-line ordering is fastest. When placing FAX orders, copy the FAX Parts Order Form, located in the back of this manual, when placing an order, or order on-line at [www.u-lineservice.com](http://www.u-lineservice.com).**

7. Effective immediately, U-Line will **not** pay warranty claims for the replacement of a complete ice maker assembly. Complete ice maker assembly replacement is not necessary because all ice maker parts are available as replacement parts and are stocked in our inventory.

**REPLACEMENT PARTS:** Use only genuine U-Line replacement parts. The use of non-U-Line parts can reduce ice rate, cause water to overflow from ice maker mold, damage the unit, and may void the warranty.



## SAFETY PRECAUTIONS

Do not attempt to service or repair the unit until you have read the entire procedure. Safety items throughout this manual are labeled with Warning or Caution.

### **WARNING**

Warning means that failure to follow this safety statement may result in extensive product damage, serious personal injury, or death.

### **CAUTION**

Caution means that failure to follow this safety statement may result in minor or moderate personal injury, property or equipment damage.

### **WARNING**

**DANGER:** Risk of child entrapment. Before you throw away an old refrigerator or freezer: Take off the doors, leave shelves in place so that children may not easily climb inside.

### **WARNING**

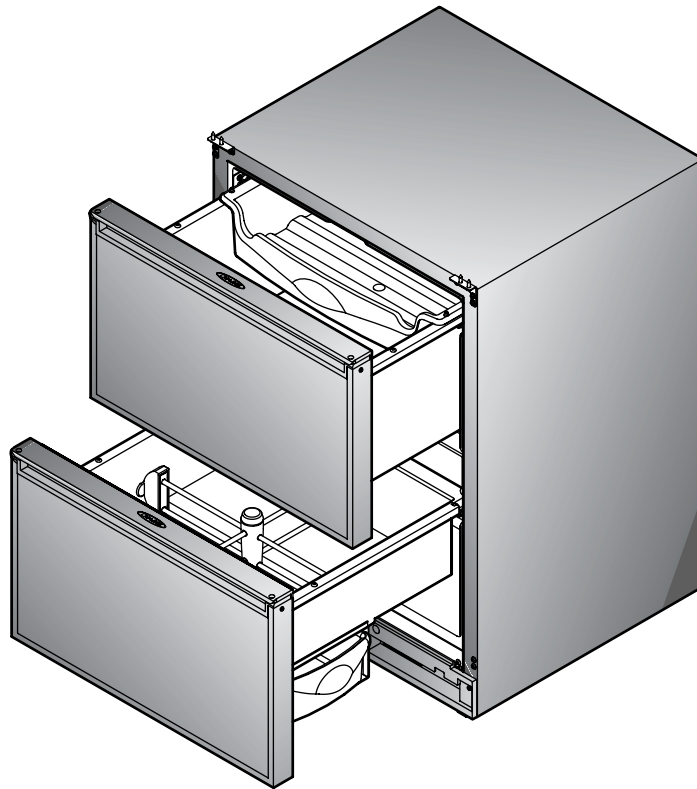
- Never attempt to repair or perform maintenance on the unit until the electricity has been disconnected.
- Altering, cutting of power cord, removal of power cord, removal of power plug, or direct wiring can cause serious injury, fire and/or loss of property and/or life and will void the warranty.

### **CAUTION**

- Do not lift unit by door handle.
- Never use an ice pick or other sharp instrument to help speed up defrosting. These instruments can puncture the inner lining or damage the cooling unit.
- Failure to clean the condenser every three months can cause the unit to malfunction. This could void the warranty.
- Never install the unit behind closed doors. Be sure front grille is free of obstruction. Obstructing free air flow can cause the unit to malfunction, and may void the warranty.

---

# 2075DWRR



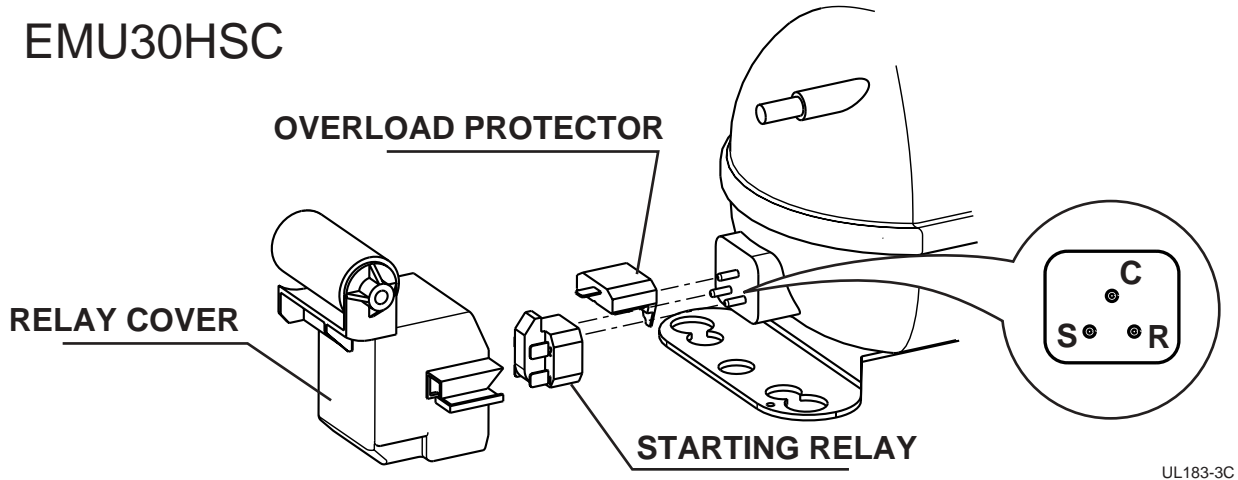
*É c h e l o n*

*É c h e l o n*



## COMPRESSOR/ELECTRICAL SPECIFICATIONS

## 2075DWRR



## COMPRESSOR PINS

To measure start winding resistance, measure across the C-S pins.

To measure run winding resistance, measure across the C-R pins. These pins should never measure any resistance to ground. This would indicate a shorted compressor.

**Specifications**

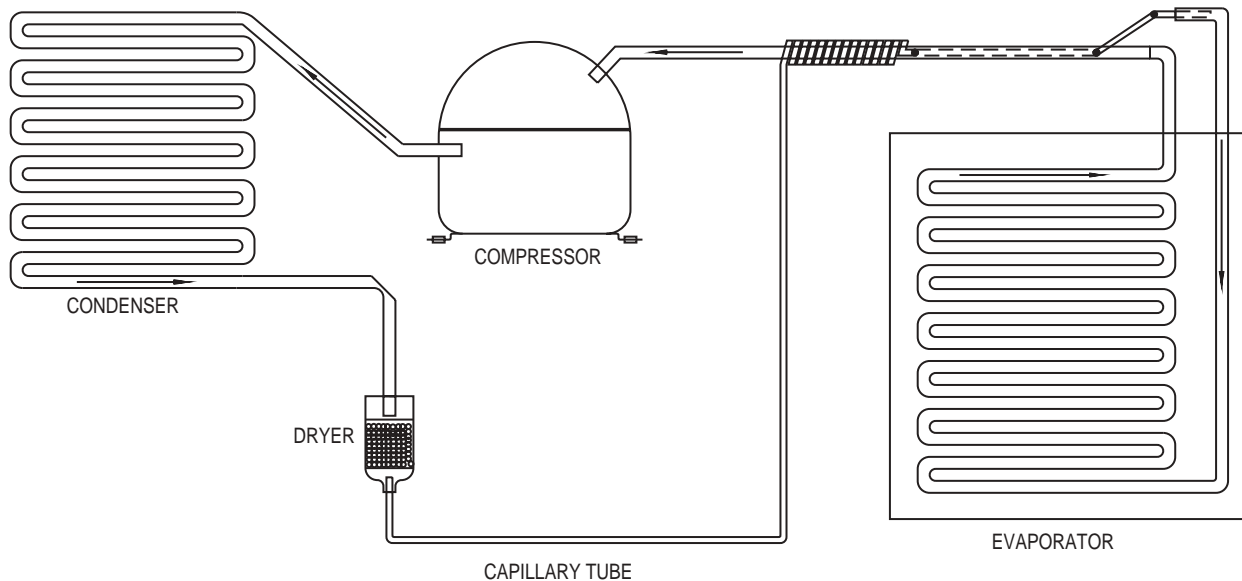
EMU30HSC Start Winding Resistance:	28 OHMS
EMU30HSC Run Winding Resistance:	8 OHMS
115 VOLT Capacitor:	12 $\mu$ F
115 VOLT Valve Coil Resistance:	380 OHMS
115 VOLT Drain Pan Heater	6900 OHMS



## REFRIGERATION SYSTEMS

### Normal Vapor/Compression Cycle Refrigeration

- Refrigerant is pumped from the compressor to the condenser as a high pressure, high temperature vapor.
- As the refrigerant cools in the high pressure condenser, the vapor condenses to liquid. During this phase change, a great amount of heat is rejected with the help of the condenser fan.
- The liquid then flows to the dryer where it is strained and filtered.



UL183-1

- From the dryer, the refrigerant flows through the capillary tube which meters the liquid refrigerant to the evaporator. The pressure of the refrigerant is reduced to the evaporating or low side pressure.
- The reduction of pressure on the liquid refrigerant causes it to boil or vaporize until it reaches saturation temperature. As the low temperature refrigerant passes through the evaporator coil, it continues to absorb a lot of heat, causing the boiling action to continue until the refrigerant is completely vaporized. It is during this phase change that the most heat is absorbed (the cooling takes place) in the refrigerator.
- The refrigerant vapor leaving the evaporator travels through the suction line to the compressor inlet. The compressor takes the low pressure vapor and compresses it, increasing both pressure and temperature. The hot high pressure gas is pumped out the discharge line and into the condenser. The cycle continues.



## THERMISTOR

The thermistor senses the compartment temperature. This is used in conjunction with the control board to determine the length of the refrigeration cycle.

Thermistors generally fail due to moisture or physical damage.

## SERVICE NOTES

### 2075DWRR

The 2075DWRR has the same basic refrigeration system as the 2075R with a few exceptions.

- The compressor is a high efficiency Embraco EMU30HSC.
- The electro-mechanical gas bulb is replaced with an electronic controller. The controller features a digital temperature display and control with two LED indicators and three touch pad buttons.
- The mullion between the two drawers has a low wattage “anti sweat” surface heater to prevent condensation on the mullion. Additionally, there is an anti-frost heater on the drain trough.

A thermal cut-out is mounted on the base, where the thermostat is normally mounted. This energy saving feature cuts-out the “anti-sweat” heater as well as the trough heater in high ambient temperatures, when in most conditions, the mullion would normally be warmed by ambient air.

- There are two interior lights and light switches. The switches are mounted in a switch box in the rear interior of the cabinet and the lights, in a housing in the top front of the drawers.



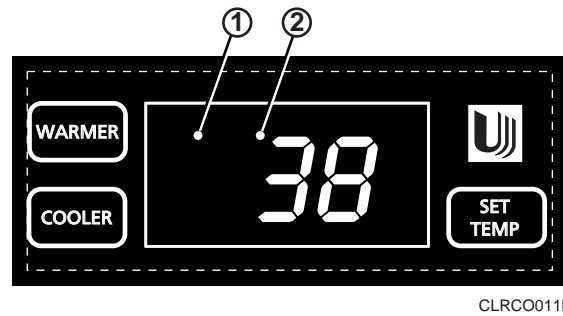
## THE ELECTRONIC TEMPERATURE CONTROLLERS

### 2075DWRR

- The controller has a four minute minimum off-cycle regardless of the thermistor status.
- The controller has a 4° differential built into it for the refrigerator thermistor. When it senses 38°F, the refrigerator will cool until the thermistor senses 36°F, and will not re-initiate cooling until the thermistor senses 40°F. When monitoring actual temperature, by pressing WARMER temporarily, the refrigeration cycle may be off, when the temperature is a degree warmer than the set point, or the refrigeration cycle on, when it is a degree below the set point.
- The LED status indicator lights indicate compartment temperature is displayed and open thermistor. A solid light on, in LED position (1), means compartment temperature is displayed. A flashing light, in LED position (2), means open thermistor. (The thermistor has failed or has been out of limits.) If a refrigerator thermistor fails, the refrigerator will shut down. A thermistor would normally fail by opening (no continuity), or by shorting (no resistance).
- Under most conditions, the refrigerator will remain frost-free by clearing itself between refrigeration cycles. Because there is no thermostat bulb on the evaporator, like other U-Line refrigerators, the controller runs a 45 minute off-cycle for every 12 hours of clock time. The refrigerator will not cool during this off-cycle even if the refrigerator thermistor is calling for cooling.
- The entire control system is mounted in a single housing in the top drawer.



## 2075DWRR



CLR0011B

The temperature controller is located in the top drawer. The LED display shows the temperature **set point** and is calibrated in degrees Fahrenheit. The controller is factory programmed for a set point of 38°F which will show when the unit is first powered-up.

To display actual temperature, press the “WARMER” button momentarily. A solid status indicator light (1) will show the air temperature reading in the cabinet for approximately 10 seconds.

To adjust the temperature set point, press the “SET TEMP” button momentarily; the display will flash. Press the “WARMER” or “COOLER” button as desired to change the set point. When the desired set point shows on the display, wait 10 seconds and the new set point will be saved. Wait 24 hours for the temperature to stabilize before checking the actual temperature again. The temperature range is 34°F to 45°F.

#### Indicator light status

LED	Status	Indicates
1	<ul style="list-style-type: none"> <li>• Solid</li> <li>• Flashing</li> </ul>	<ul style="list-style-type: none"> <li>• Compartment temperature displayed</li> <li>• Not Applicable</li> </ul>
2	<ul style="list-style-type: none"> <li>• Flashing</li> </ul>	<ul style="list-style-type: none"> <li>• Open Thermistor</li> </ul>

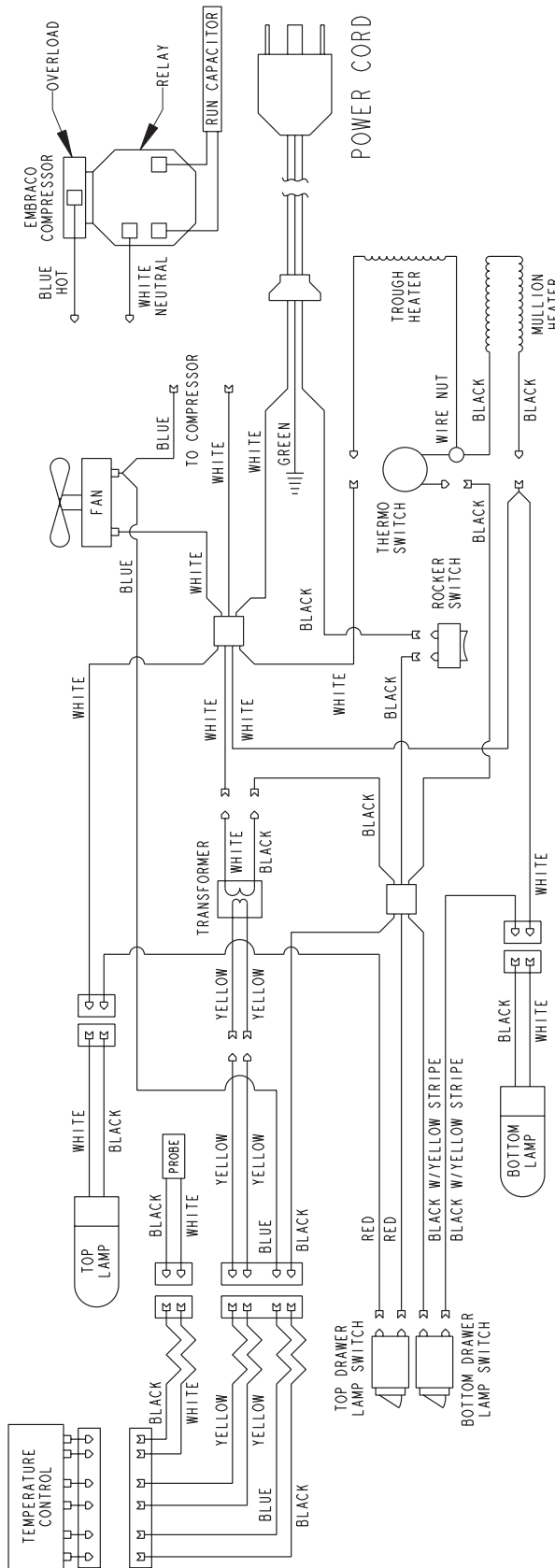


# REFRIGERATION SYSTEM DIAGNOSIS GUIDE

System Suction Condition	Suction Pressure	Compressor Line	Condenser Discharge	Capillary	Evaporator Tube	Wattage	
<b>Normal</b>	Normal	Slightly below room temperature	Very hot	Very hot	Warm	Cold	Normal
<b>Overcharge</b>	Higher than normal	Very cold may frost heavily	Slightly warm to hot	Hot to warm	Cool	Cold	Higher than normal
<b>Undercharge</b>	Lower than normal	Warm - near room temperature	Hot	Warm	Warm	Extremely cold near inlet - outlet below room temperature	Lower than normal
<b>Partial Restriction</b>	Somewhat lower than normal-in vacuum	Warm - near room temperature	Very hot	Top passes warm - lower passes cool (near room temperature) due to liquid	Room temperature (cool) or colder	Extremely cold near inlet - outlet below room temperature backing up	Lower than normal
<b>Complete Restriction</b>	In deep vacuum	Room temperature (cool)	Room temperature (cool)	Room temperature (cool)	Room temperature (cool)	No refrigeration	Lower than normal
<b>No Gas</b>	0 PSIG to 25"	Room temperature (cool)	Cool to hot	Room temperature (cool)	Room temperature (cool)	No refrigeration	Lower than normal



# 2075DWRR WIRING DIAGRAM



42184-F



## TROUBLESHOOTING

**WARNING**

DO NOT service the unit until the main electrical power has been disconnected.

## 2075DWRR

**1 Not refrigerating (compressor and fan are operating)****Cause**

- a. Little or no frost pattern on evaporator

**Remedy**

- a. Check for sealed system leak or restriction

**2 Not refrigerating (compressor not operating, fan operating)****Cause**

- a. Wire off or broken
- b. Defective compressor - check resistance
- c. Defective overload
- d. Defective relay

**Remedy**

- a. Check wiring
- b. Replace compressor
- c. Replace overload
- d. Replace relay

**3 Not refrigerating (compressor and fan not operating)****Cause**

- a. No power to the unit
- b. On/Off switch
- c. Display on - check for power in to controller
- d. Display on - check for power out of controller
- e. Display off
- f. Thermistor light flashing
- g. Display on - power in & out of controller

**Remedy**

- a. Check that unit is plugged in
- b. Check that switch is in the on position
- c. None - Check for bad wire
- d. None - Bad controller
- e. Check transformer
- f. Bad Thermistor
- g. Broken circuit - check wiring

**4 Compressor overheating****Cause**

- a. Condenser air flow restricted
- b. Condenser fan blade obstructed
- c. Condenser fan motor stalled
- d. Defective Compressor - check resistance

**Remedy**

- a. Remove restriction (clean condenser and grille)
- b. Remove blade restriction
- c. Replace fan motor
- d. Replace compressor

**5 Compressor will not stop operating****Cause**

- a. Defective controller
- b. Wiring defect

**Remedy**

- a. Replace controller
- b. Check wiring

**6 Water leak inside unit****Cause**

- a. Blocked drain

**Remedy**

- a. Remove blockage

**7 Excessive frost build-up****Cause**

- a. Gasket not sealing
- b. Product too tall for drawer or product not allowing top bin to move forward (2075DWRR)

**Remedy**

- a. Repair or replace gasket
- b. Instruct customer



**8 Noisy****Cause**

- a. Copper refrigeration tube touching cabinet
- b. Fan blade touching shroud
- c. Fan blade obstruction (wiring, foam insulation, packaging material)

**Remedy**

- a. Carefully adjust tubing
- b. Adjust fan mounting or shroud
- c. Remove obstruction

**9 Fresh food or wine temperature too cold****Cause**

- a. Controller set too cold
- b. Defective controller
- c. Wiring defect
- d. Thermistor not pushed all the way into the well

**Remedy**

- a. Adjust controller
- b. Replace controller
- c. Check wiring
- d. Check thermistor location

**10 Excessive condensation on mullion****Cause**

Mullion heater not operating - check resistance

- a. Good resistance
- b. No resistance

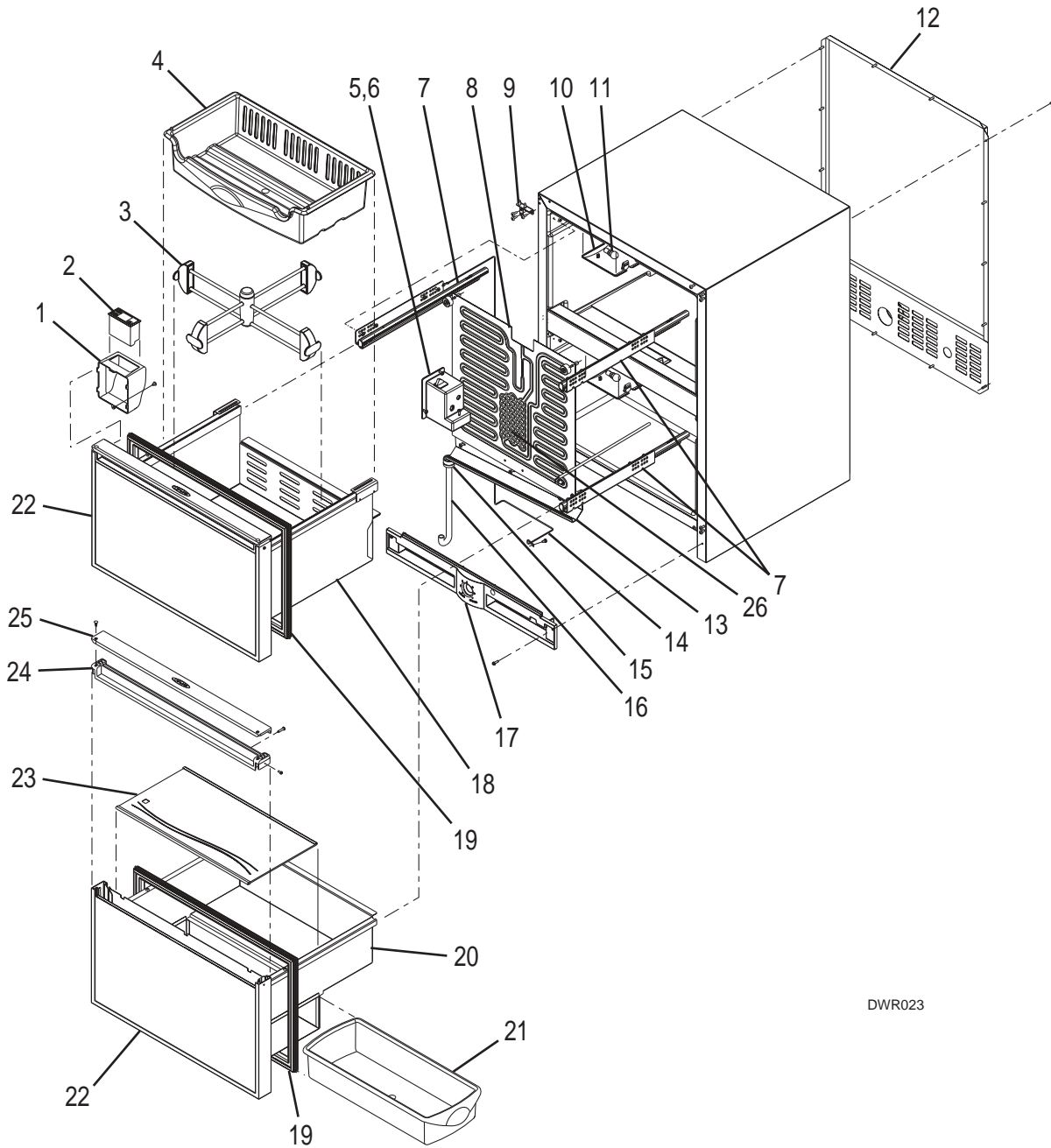
**Remedy**

- a. Bad heater switch
- b. Heater wiring

**Note:** The heater will not operate in ambients over 90° F.



## 2075DWRR (1 OF 2)



DWR023





## 2075DWRR (1 OF 2)

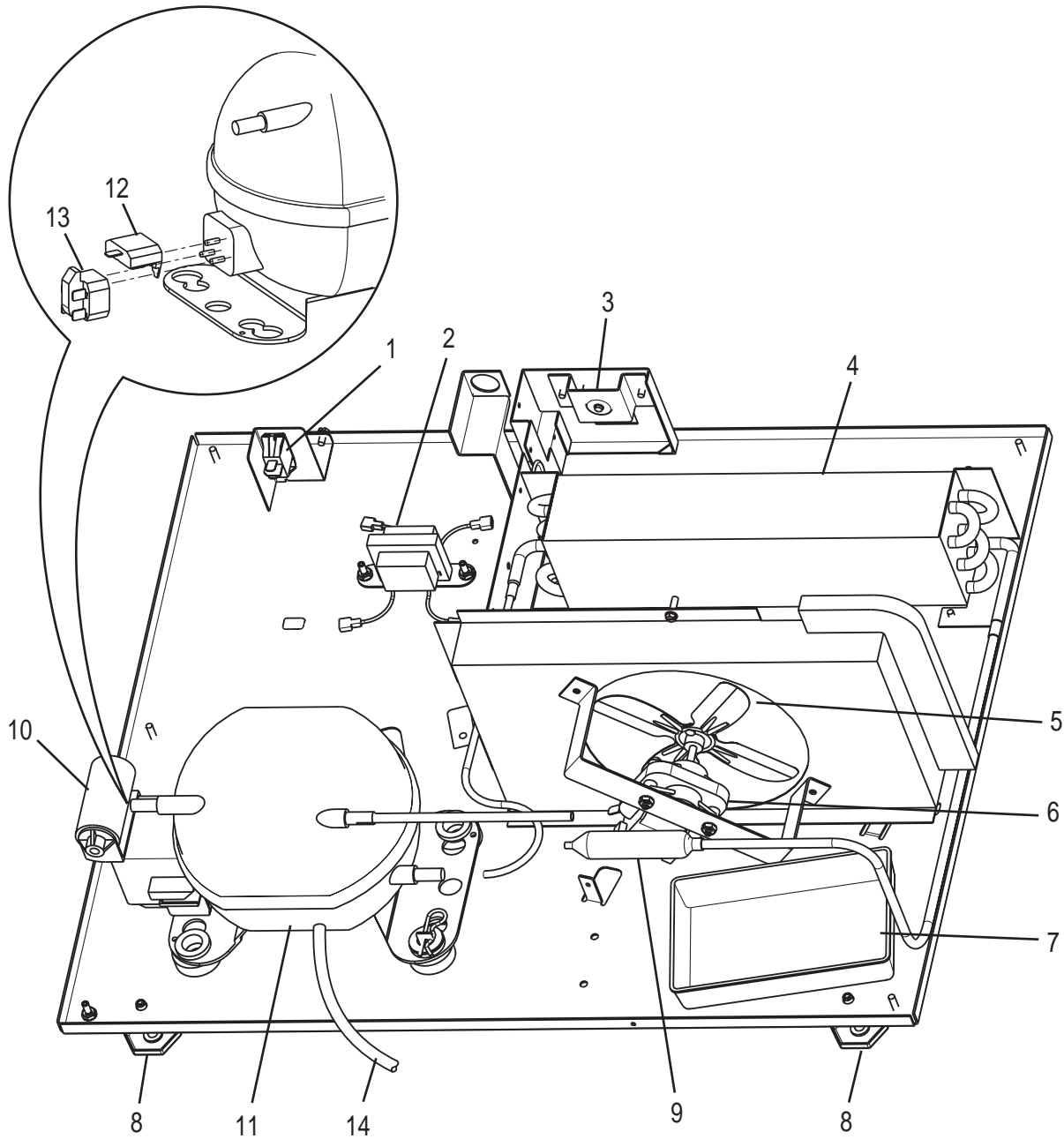
Item	Description	Black	Stainless Steel
1	Control Housing	26006	26006
2	Control Assembly	68005	68005
3	Organizer Assembly	80-48001-00	80-48001-00
4	Top Bin	26000	26000
5	Switch Box	26010	26010
6	Light Switch	42179	42179
7	Drawer Slides	80-47001-00	80-47001-00
8	Evaporator Assembly	2333-S	2333-S
9	Anti-Tip Components	80-16005-01	80-16005-02
10	Light Cover	11859	11859
11	Light Bulb	31317	31317
12	Back Panel	11969	11969
13	Drain Trough	31391-3	31391-3
14	Control Harness	68015	68015
15	Drain Cup	11508	11508
16	Drain Tube	31726	31726
17	Grille	11902-BLK-01	11902-BLK-01
18	Top Drawer (No Front)	14007-S	14007-S
19	Door Gasket	31493-13-BLK	31493-13-GRY
20	Bottom Drawer (No Front)	14008-S	14008-S
21	Crisper, Bottom	26001	26001
22	Door Assembly	2075DRW-FRNT BLK	2075DRW-FRNT SS
23	Crisper Shelf	40000-02	40000-02
24	Door Handle Bottom	11927-4-BLK	11927-4-BLK
25	Door Handle Top, Modified	11926-7-BLK	N/A
26	Drain Trough Heater	66002	66002

## Parts Not Shown

Item	Description	Black	Stainless Steel
	Full Door Handle	11926-4-BLK	N/A



## 2075DWRR (2 OF 2)



DWR024

## 2075DWRR (2 OF 2)

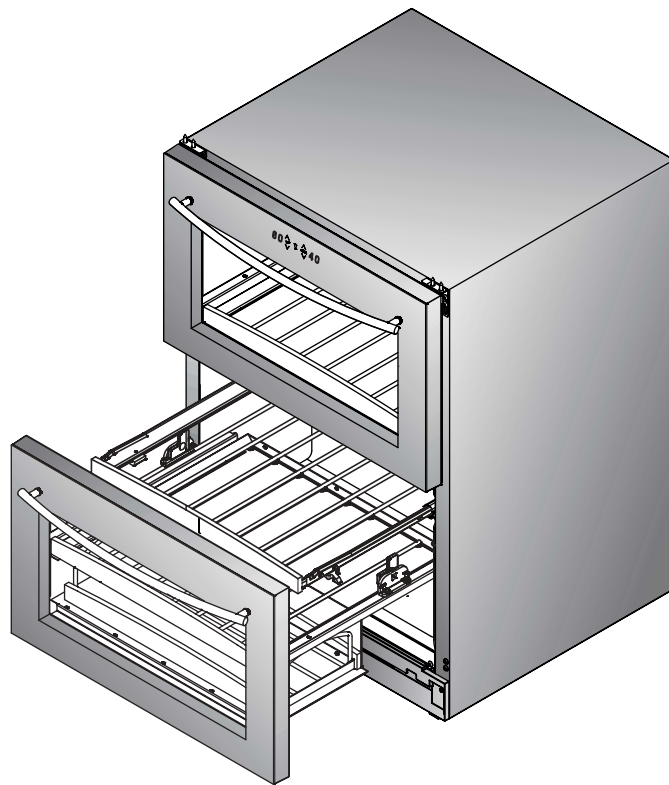
Item	Description	Black	Stainless Steel
1	Rocker Switch	2053	2053
2	Transformer	68014	68014
3	Thermo Cutoff Switch	66001	66001
4	Condenser	2303-S	2303-S
5	Fan Blade	5188	5188
6	Fan Motor	5263	5263
7	Drain Pan	31550-1-F	31550-1-F
8	Leg Levelers	41319	41319
9	Drier	2694	2694
10	Capacitor	71008	71008
11	Compressor Assembly	70077-S	70077-S
12	Overload	71009	71009
13	Relay	71010	71010
14	Power Cord	2887	2887





---

# 2075DWRWC



*E c h e l o n*

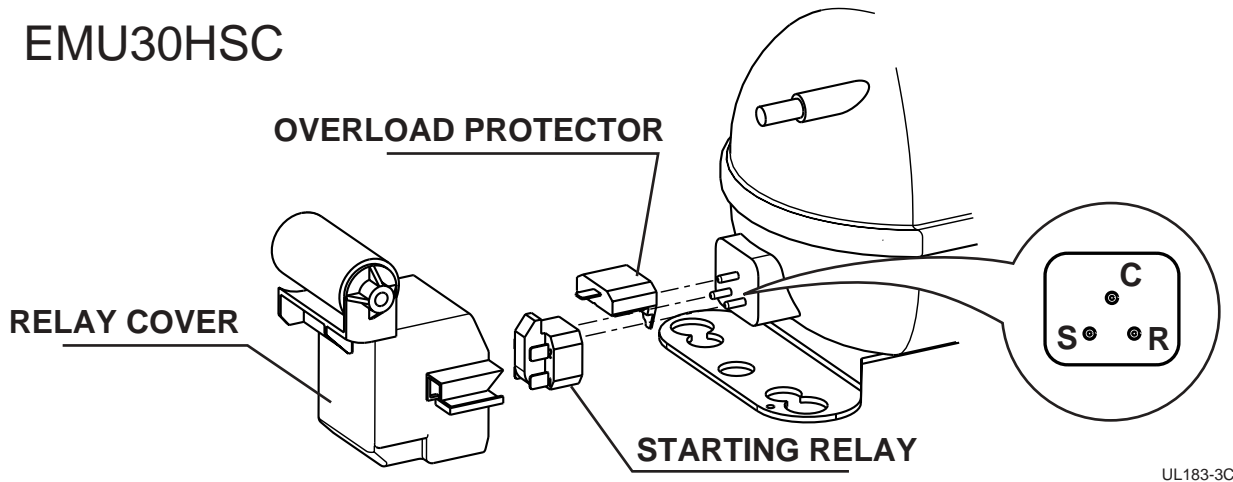
*É c h e l o n*



## COMPRESSOR/ELECTRICAL SPECIFICATIONS

## 2075DWRWC

## EMU30HSC



## COMPRESSOR PINS

To measure start winding resistance, measure across the C-S pins.

To measure run winding resistance, measure across the C-R pins. These pins should never measure any resistance to ground. This would indicate a shorted compressor.

**Specifications**

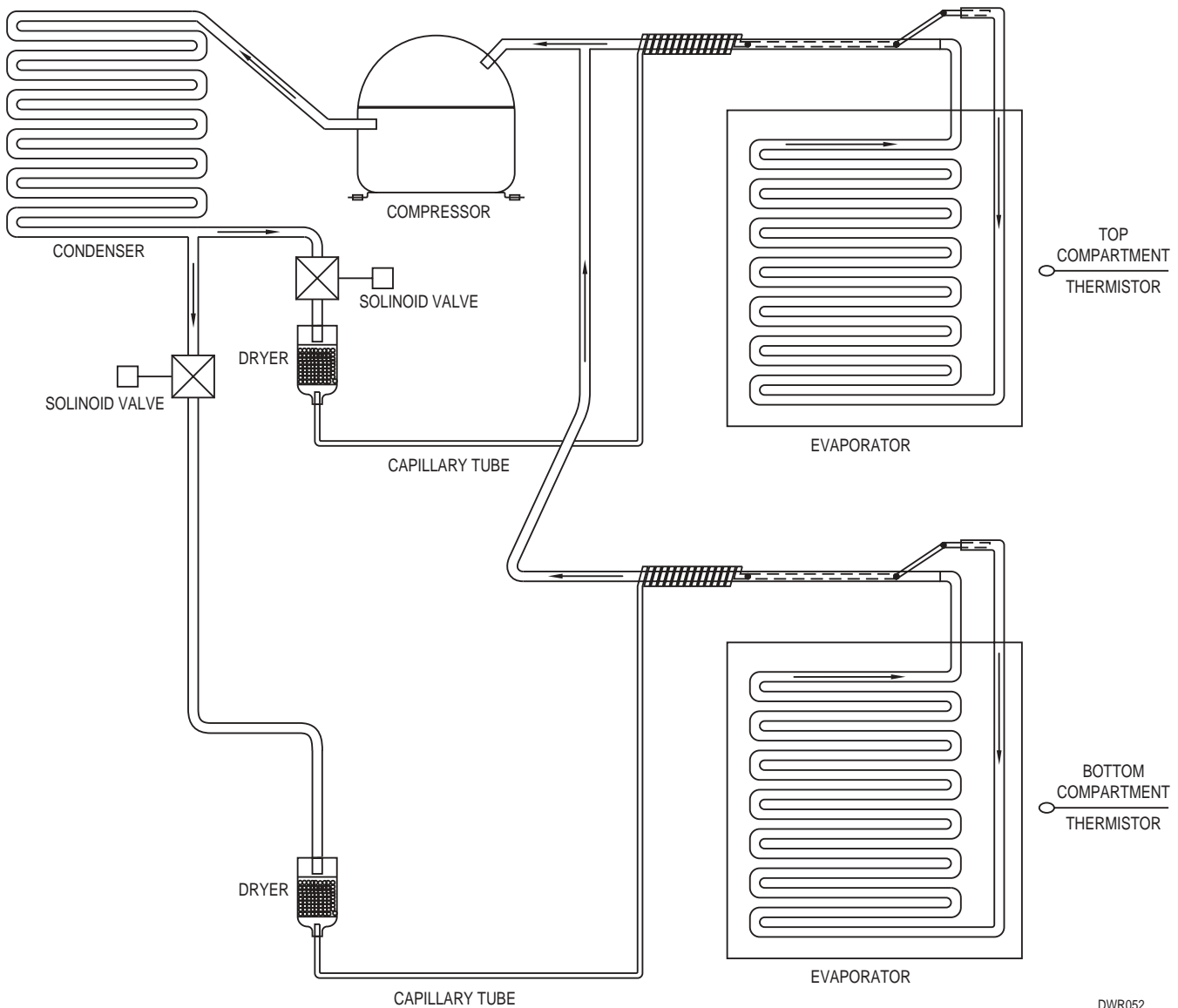
EMU30HSC Start Winding Resistance:	28 OHMS
EMU30HSC Run Winding Resistance:	8 OHMS
115 VOLT Capacitor:	12 $\mu$ F
115 VOLT Valve Coil Resistance:	380 OHMS



## REFRIGERATION SYSTEMS

### Normal Vapor/Compression Cycle Refrigeration

- Refrigerant is pumped from the compressor to the condenser as a high pressure, high temperature vapor.
- As the refrigerant cools in the high pressure condenser, the vapor condenses to liquid. During this phase change, a great amount of heat is rejected with the help of the condenser fan.
- The liquid then flows to the dryer where it is strained and filtered.



DWR052



- From the dryer, the refrigerant flows through the capillary tube which meters the liquid refrigerant to the evaporator. The pressure of the refrigerant is reduced to the evaporating or low side pressure.
- The reduction of pressure on the liquid refrigerant causes it to boil or vaporize until it reaches saturation temperature. As the low temperature refrigerant passes through the evaporator coil, it continues to absorb a lot of heat, causing the boiling action to continue until the refrigerant is completely vaporized. It is during this phase change that the most heat is absorbed (the cooling takes place) in the refrigerator.
- The refrigerant vapor leaving the evaporator travels through the suction line to the compressor inlet. The compressor takes the low pressure vapor and compresses it, increasing both pressure and temperature. The hot high pressure gas is pumped out the discharge line and into the condenser. The cycle continues.

## THERMISTORS

The two thermistors sense the two compartment temperatures. This is used in conjunction with the control board to determine the length of the refrigeration cycle.

Thermistors generally fail due to moisture or physical damage.

## SERVICE NOTES

### 2075DWRWC

The 2075DWRWC has the same basic refrigeration system as the 2075R/2075WC with a few exceptions.

- The compressor is a high efficiency Embraco EMU30HSC.
- The electro-mechanical gas bulb is replaced with an electronic controller. The 2075DWRWC features an LED display and touch sensors for each drawer and a touch sensor to control the lighting.
- There are two interior lights and light switches which can be controlled independently from each other. The switches are mounted in the liner in the rear interior of the cabinet and the lights, in a housing in the top front of the drawers.

This unit is operated with a two part electronic control assembly. The main board is located in the base of the unit behind the grille and the display board is permanently attached to the glass in the upper drawer. There is a snap in access panel in the drawer to reach the back of the board.

The LED display indicates the set point of both compartments. Holding either the up or down arrow for three seconds enters into the set point mode. You can adjust the temperature of each compartment independently from 40-60°F.

Holding both the up and down arrow for either section displays the actual temperature.

When the unit is plugged in the top compartment begins cooling first. After the top set point has been reached the lower compartment will begin cooling. Only one drawer can cool at a time. One compressor and condenser are used in this system. Behind the compressor are two valves that switch the refrigerant from the top system to the bottom system. Each system has a bypass valve, dryer, evaporator and capillary tube. Only one system can operate at a time.



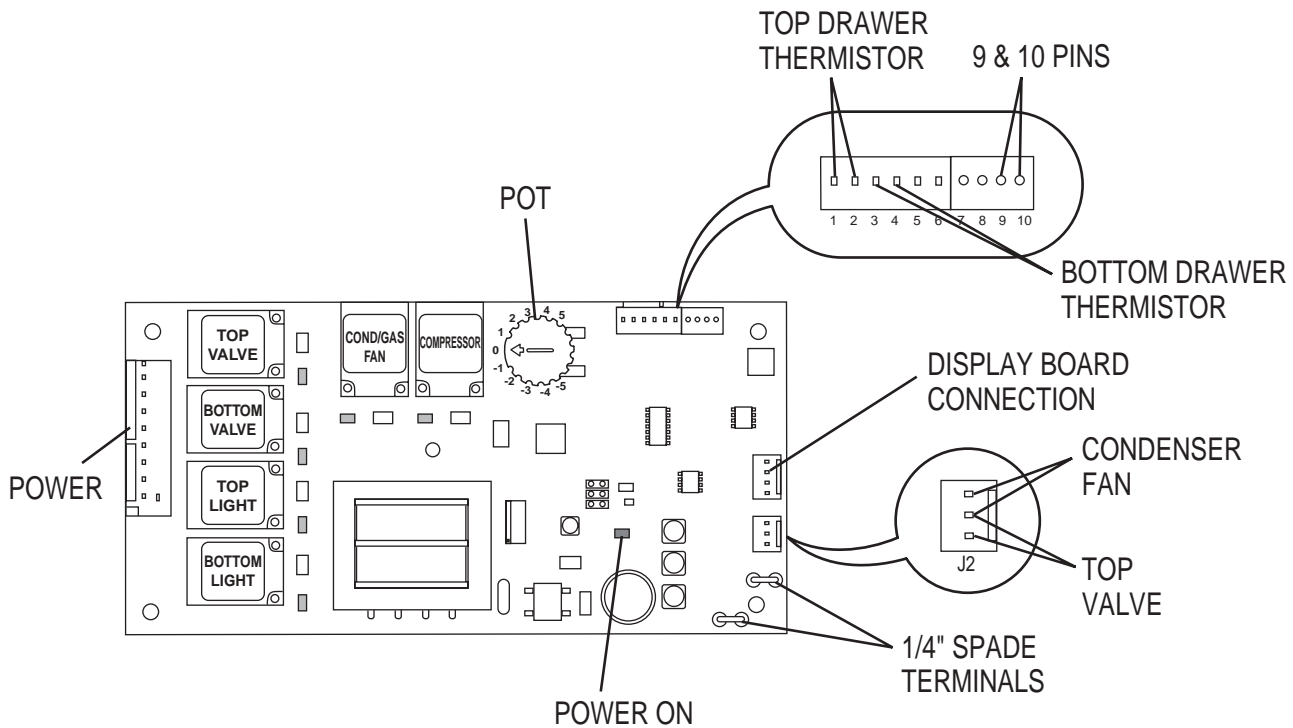
The top and bottom valve can never be open at the same time. After initial startup whichever compartment calls for cooling first, will have priority. Once the setpoint is achieved the other compartment will be cooled if necessary.

When both compartments have reached setpoint and the compressor shuts off, the last bypass valve that was open will remain open for four minutes. This is done to help the refrigerant pressures stabilize and reduce hard starting of the compressor.

This unit can be put into a diagnostic mode.

1. Unplug unit
2. Install jumper on pins 9 and 10 on board.
3. Plug unit back in.

Based on the attached chart you can turn on and off each relay individually.

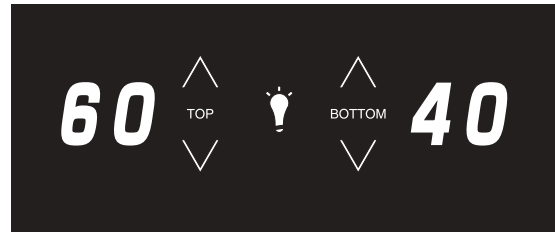


CLRCO035C

- Control pot at 2 – bottom light
- Control pot at 0 – top light
- Control pot at -2 – bottom bypass valve
- Jumper on 1/4" spade terminals – COMPRESSOR
- Jump pins on J2 – TOP VALVE
- Jump pins on J2 – CONDENSER FAN

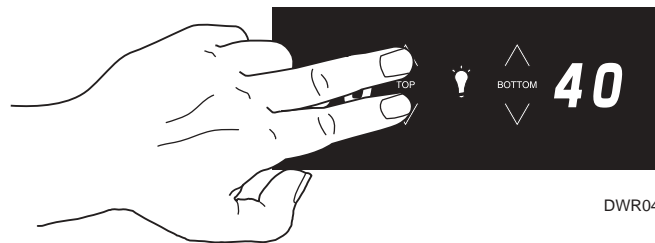
## THE ELECTRONIC TEMPERATURE CONTROLLERS

### 2075DWRWC



DWR034

The temperature controls are integrated in the top, front drawer panel. They consist of an LED display and touch sensors for each drawer and a touch sensor to control the lighting (“^”, “v” and “💡”). The LED displays show the drawer’s temperature set point, and are calibrated in degrees Fahrenheit. The controls are factory programmed for a set point of 60°F for the top drawer and 40°F for the bottom drawer. Each drawer’s display will show its set point when the unit is first powered up.



DWR045


To display actual temperature of each drawer, press the “^” and “v” touch sensors simultaneously for three seconds. The display indicates the actual temperature. After approximately 10 seconds, the set point temperature displays.

Both drawers can be controlled independently from 40°F to 60°F.


To adjust the temperature set point, touch and hold either the “^” or “v” for that drawer for three seconds. When the LED displays “SP,” lift your finger from the controller and the corresponding LED will begin to flash the set point. Touch the “^” or “v” until the desired set point displays. Wait 10 seconds for the new set point to be saved. Wait 24 hours for the temperature to stabilize before checking the actual temperature again. The compartment set point range is 40°F to 60°F.



## INTERIOR LIGHTING (2075DWRWC)

The interior lighting can be controlled by the controller. Each time the light “” symbol is touched, the lighting is scrolled through the following options:

- Touch once – Both compartment lights on.
- Touch twice – Top compartment light on.
- Touch three times – Bottom compartment light on.
- Touch four times – Both compartment lights off.

To enter the “black-out mode,” touch and hold “” for approximately 15 seconds, this will turn off both display temperatures and the cabinet lights. The unit will continue to maintain the compartment set point temperatures even though they are not displayed. If the light symbol is touched and held for 10 seconds, the unit will come out of “black-out mode,” the set points will be displayed and the lighting function will be in one of the four scrolled positions.

**Note:** *When the unit is in “black-out mode,” the light will come on automatically if the drawer is opened. If you do not want the lights to come on when the drawers are opened, the light bulbs must be removed. Refer to Light Bulb Replacement.*

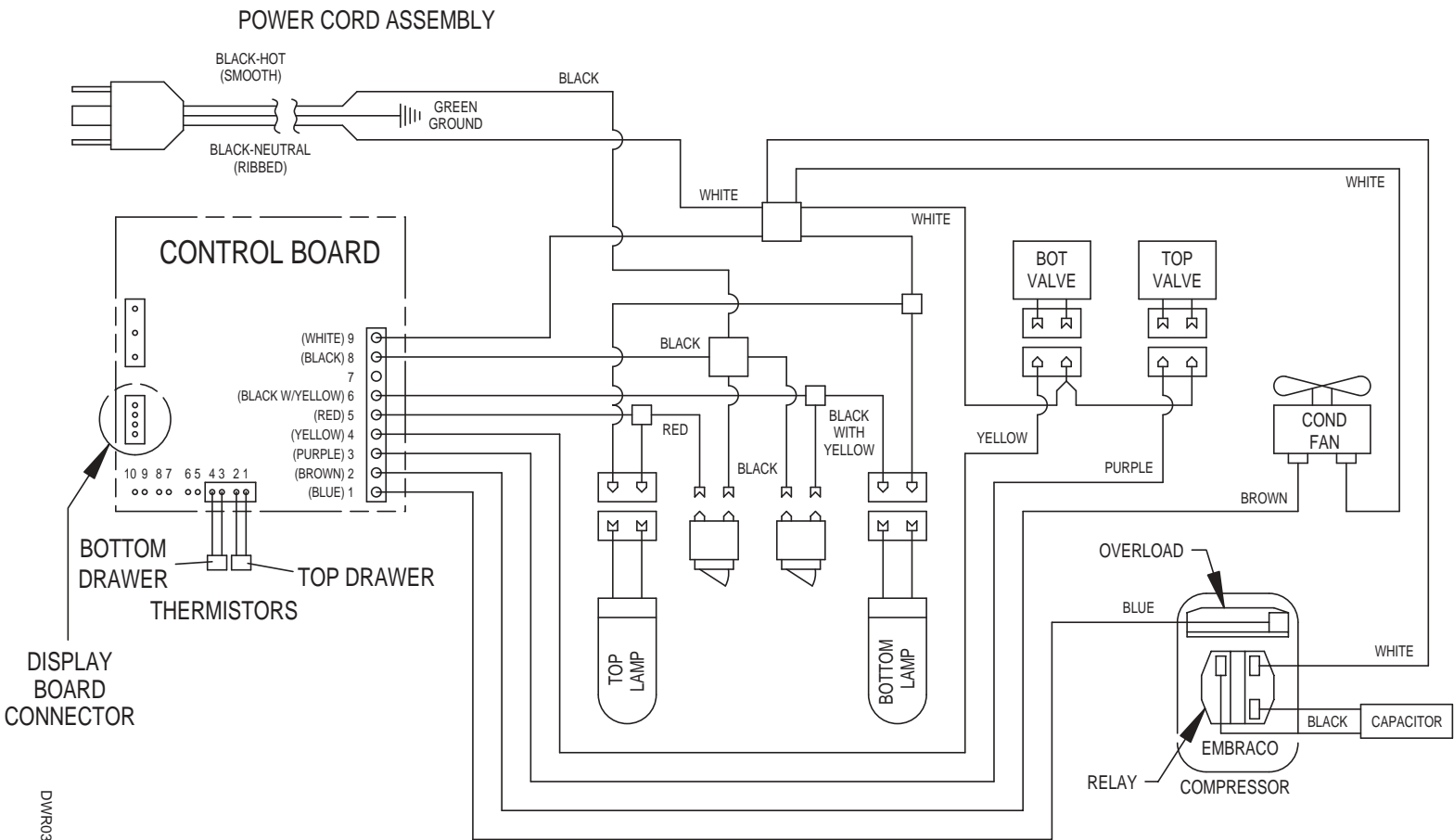
*A solid indicator light (LED dot) indicates a thermistor error in that drawer.*



# REFRIGERATION SYSTEM DIAGNOSIS GUIDE

System Condition	Suction Pressure	Suction Line	Compressor Discharge	Condenser	Capillary Tube	Evaporator	Wattage
<b>Normal</b>	Normal	Slightly below room temperature	Very hot	Very hot	Warm	Cold	Normal
<b>Overcharge</b>	Higher than normal	Very cold may frost heavily	Slightly warm to hot	Hot to warm	Cool	Cold	Higher than normal
<b>Undercharge</b>	Lower than normal	Warm - near room temperature	Hot	Warm	Warm	Extremely cold near inlet - outlet below room temperature	Lower than normal
<b>Partial Restriction</b>	Somewhat lower than normal-in vacuum	Warm - near room temperature	Very hot	Top passes warm - lower passes cool (near room temperature) due to liquid	Room temperature (cool) or colder	Extremely cold near inlet - outlet below room temperature backing up	Lower than normal
<b>Complete Restriction</b>	In deep vacuum	Room temperature (cool)	Room temperature (cool)	Room temperature (cool)	Room temperature (cool)	No refrigeration	Lower than normal
<b>No Gas</b>	0 PSIG to 25"	Room temperature (cool)	Cool to hot	Room temperature (cool)	Room temperature (cool)	No refrigeration	Lower than normal

# 2075DWRWC WIRING DIAGRAM



DWR038



## TROUBLESHOOTING

### 2075DWRWC



**WARNING**



DO NOT service the unit until the main electrical power has been disconnected.

Before servicing this unit, take readings from the electronic control (refer to The Electronic Temperature Control for checking actual temperatures, if needed). These actual readings are important to take before having the drawers open for more than 30 seconds to obtain accurate readings.

Top drawer temperature: \_\_\_\_\_

This temperature should be within a few degrees of the setpoint.

Bottom drawer temperature: \_\_\_\_\_

This temperature should be within a few degrees of the setpoint.

If there is a dot illuminated above the temperature display, there has been a problem with the thermistor. If you can read the actual temperatures then the problem has been corrected. If you were unable to read the temperatures or if you read 99, then the thermistor is not working and the circuit board and thermistors must be changed. The thermistor harness is matched to the circuit board and these must be changed as an assembly.

#### 1 Temperatures not cold enough

- Check actual temperatures versus setpoint. After 24 hours of runtime, temperatures should be within a few degrees of setpoint.
- Drawers left open or not sealing properly.
- Clean condenser.

#### 2 Temperatures too cold

- Check actual temperatures versus setpoint.
- Ensure thermistors are pushed all the way into the well tube.
- If top drawer is well below setpoint and the lower drawer is not achieving setpoint the thermistors may be switched.
- If bottom drawer is well below setpoint and the upper drawer is not achieving setpoint the valve power wires may be switched.



### 3 Drawers will not close properly

- The drawer slides contain a self-closing feature which engages when the drawer is about 1 inch from being closed. At the point the closers engage, there may be some resistance. If this resistance is hard to overcome, try closing the drawers with more force a couple times and then try slowly again. If, during shipment, the unit has been mishandled, the drawer slide closers may become disengaged. Reset by closing the drawers with more force than normal.
- Ensure large bottles are not restricting rack movement.
- Check rail to make sure they are free of contaminants.

### 4 Cascade parts not operating properly

- The cam on the cascade mechanism should automatically reset as the drawer is moved fully in and out. If it does not, manually reset cam.

If the drawer will not close, make sure the cascading cams are positioned correctly. The drawer will not close if the cams are in the A “open” position. Reset the cams manually as shown in position B “closed.” The drawers should take a minimal amount of effort to close. **See illustration on page 33.**

### 5 LED dot lit on display

- This light indicates that a thermistor has gone out of range. If the unit is still working the thermistor is now operational. Unplug unit and plug back in, to clear light. If unit is still not working, change board and thermistors.

### 6 Trouble with lights

- Each light is controlled by a switch that operates when the drawer is opened and by a touchsensor in the glass.
- Check wiring.
- Check bulb.

### 7 Display not functioning

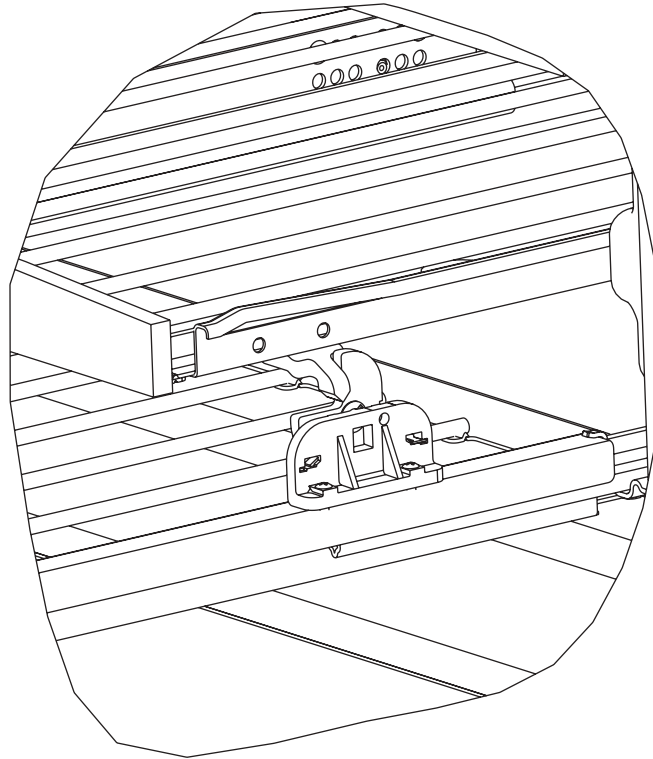
- Red LED on rear of display indicates the display has power.
- Flashing green indicates communication with main board.
- If either is not lit, check wiring to main board.
- Could be in Sabbath mode.

### 8 Not cooling

- Check solenoid valves and connections.

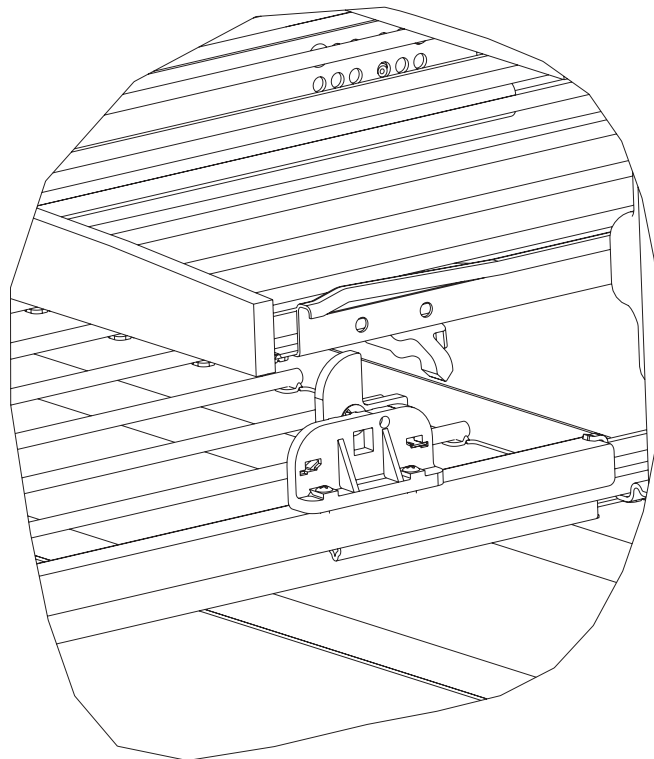


## CASCADING PARTS NOT OPERATING PROPERLY



A - Cascade mechanism in the correct opening position.

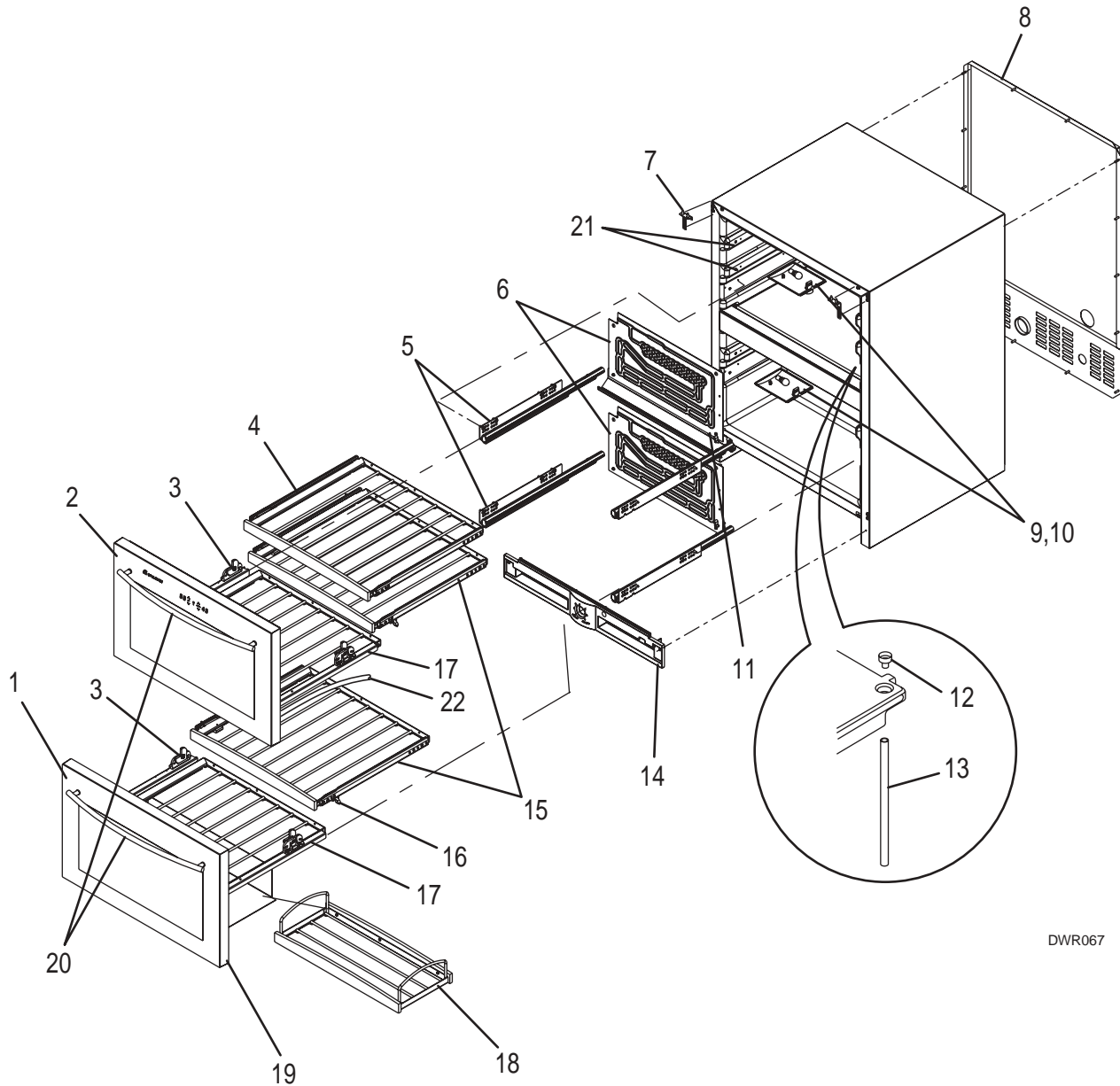
DWR065



B - Cascade mechanism in the correct closing position.



## 2075DWRWC (1 OF 2)



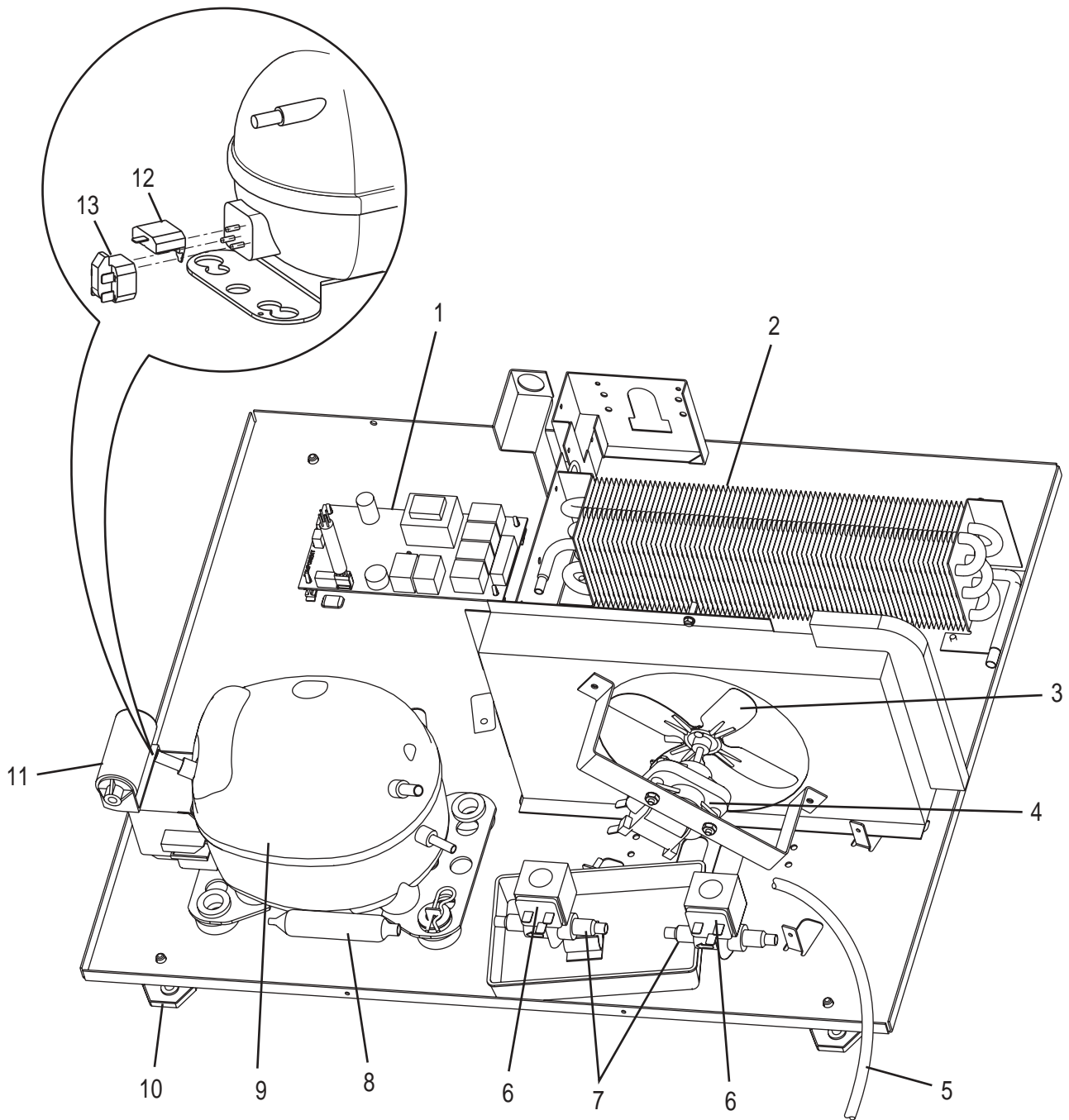
DWR067

## 2075DWRWC (1 OF 2)

Item	Description	Black	Stainless Steel
1	Drawer & Rack Assembly Bottom	80-17030-01	80-17030-03
2	Drawer & Rack Assembly Top	80-17028-01	80-17028-03
3	Cascade Assembly Left Side	26028-02-S	26028-02-S
4	Top Rack Assembly	80-33005-S	80-33005-S
5	Drawer Slide Assembly	80-47001-00	80-47001-00
6	Evaporator Assembly	2649-S	2649-S
7	Anti-Tip Brackets	80-16005-01	80-16005-01
8	Back Panel	11969	11969
9	Lens Cover	11859	11859
10	Light Bulb	31317	31317
11	Drain Trough	31391-6	31391-6
12	Drain Funnel	11508	11508
13	Drain Tube	41967-4	41967-4
14	Grille	11942-BLK-01	11942-BLK-01
15	Cascading Rack Assembly	80-48003-00	80-48003-00
16	Cascade Rack Latch Assembly	26022-S	26022-S
17	Cascade Assembly Right Side	26028-01-S	26028-01-S
18	Drawer Wine Caddy Assembly	80-48002-00	80-48002-00
19	Door Gasket	12094-07-BLK	12094-07-BLK
20	Drawer Handle	11949-blk	11949
21	Interior Slides (White)	42118-S	42118-S
22	Main board jumper wire	2932	2932



## 2075DWRWC (2 OF 2)



DWR068

## 2075DWRWC (2 OF 2)

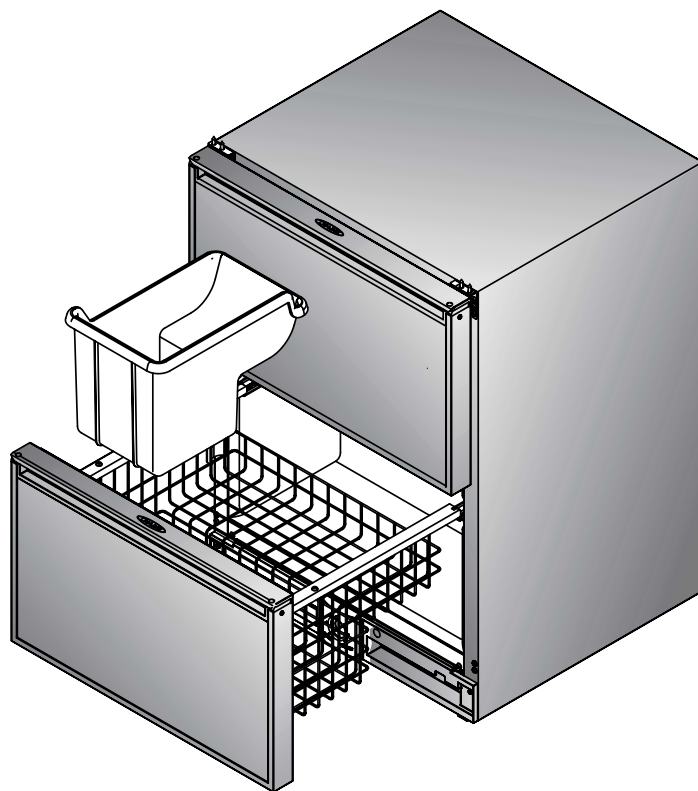
Item	Description	Black	Stainless Steel
1	Board	68019-S	68019-S
2	Condenser Assembly	2303-S	2303-S
3	Fan Blade	5188	5188
4	Fan Motor	5263	5263
5	Power Cord	2916	2916
6	Valve Coil	73002	73002
7	Valve Assembly	73002-S	73002-S
8	Drier	2694	2694
9	Compressor Assembly	70077-S	70077-S
10	Leveling Leg	41319	41319
11	Capacitor	71008	71008
12	Overload	71009	71009
13	Relay	71010	71010





---

# CO2075DWR

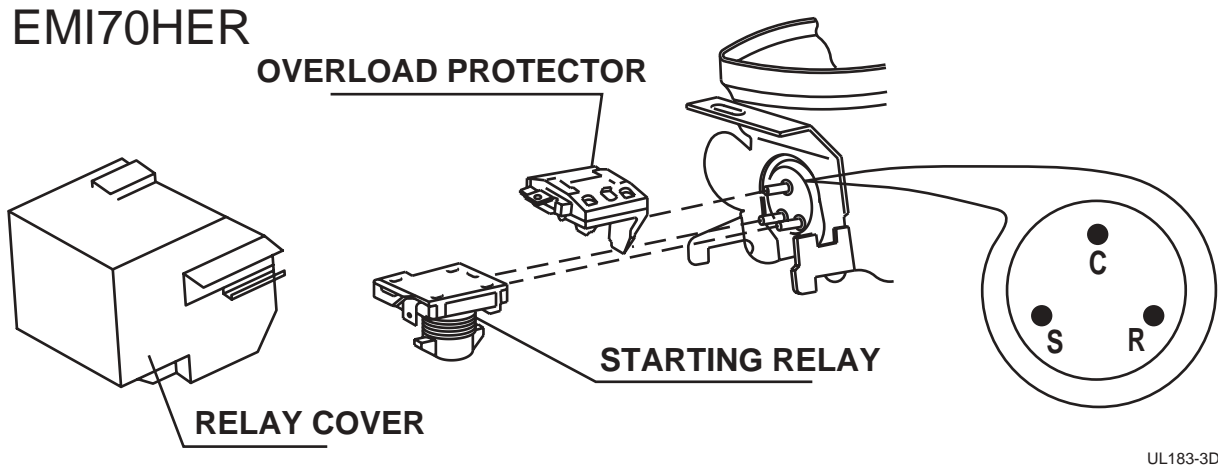


*É c h e l o n*

*É c h e l o n*







UL183-3D

## COMPRESSOR PINS

To measure start winding resistance, measure across the C-S pins.

To measure run winding resistance, measure across the C-R pins. These pins should never measure any resistance to ground. This would indicate a shorted compressor.

### Specifications

EMI70HER Start Winding Resistance:	8 OHMS
EMI70HER Run Winding Resistance:	3 OHMS
115 VOLT Ice Maker Heater Resistance:	80 OHMS
115 VOLT Water Valve Coil Resistance:	335 OHMS
115 VOLT Bypass Valve Coil Resistance:	380 OHMS



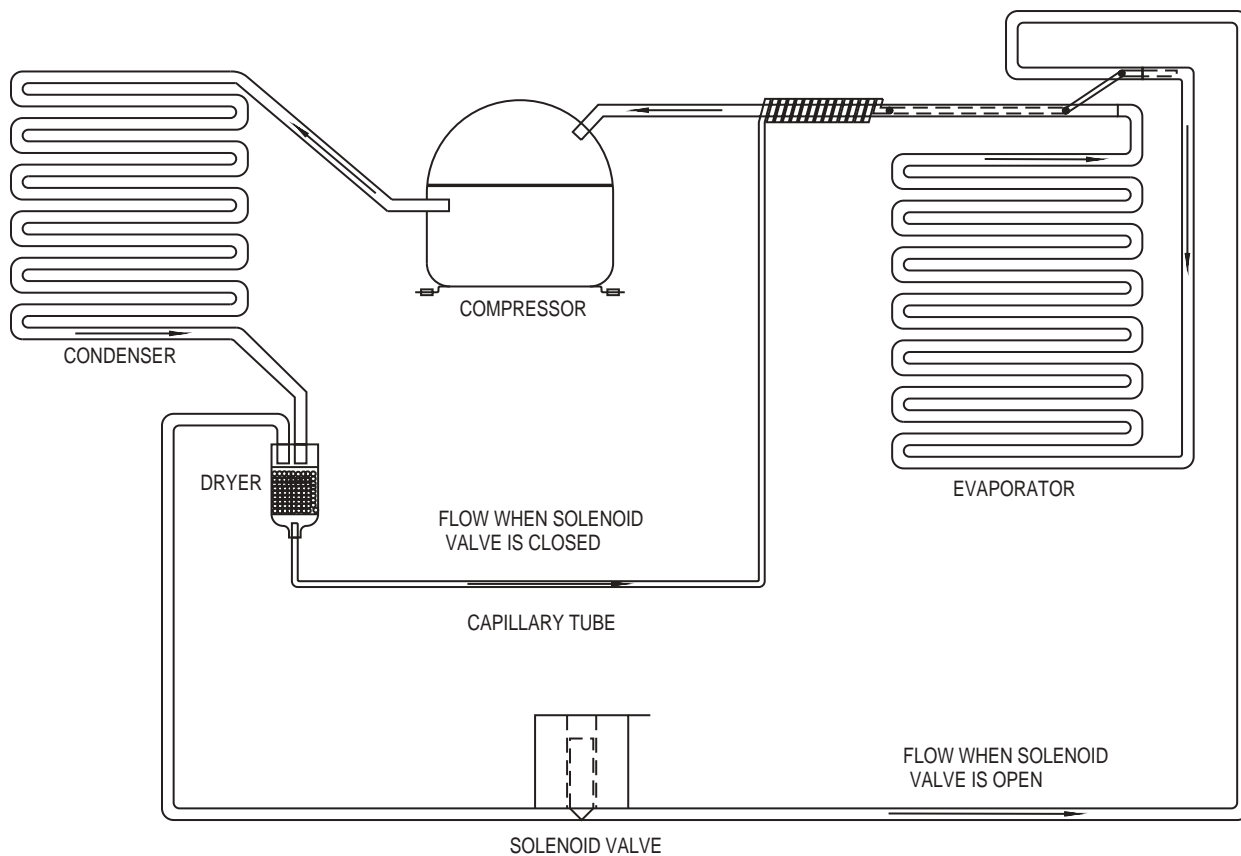
## U-LINE FROST FREE REFRIGERATION SYSTEM

### Cooling Mode:

- Bypass solenoid valve closed
- Evaporator fan operating
- Refrigerant flows through capillary tube
- Normal vapor/compression cycle refrigeration

### Defrost Mode:

- Bypass solenoid valve open
- Refrigerant flows through bypass system
- Vapor flows from condenser to evaporator without a phase change



UL183-2

## THERMISTORS

There are three thermistors to sense the refrigerator, freezer and icemaker temperature. These are used in conjunction with the control board to control compartment temperatures and initiate ice harvest.

Thermistors generally fail due to moisture or physical damage.

## SERVICE NOTES

### CO2075DWR

The CO2075DWR has the same basic refrigeration system as the CO2075F with a few exceptions.

- The compressor is an Embraco EMI70HER.
- The electro-mechanical gas bulb is replaced with an electronic controller which features a digital temperature display.
- The mullion between the two drawers has a low wattage “anti sweat” surface heater to prevent condensation on the mullion.
- There are two interior lights and light switches. The switches are mounted in the liner in the rear interior of the cabinet. The lights are in the housing in the top front of the drawers. The bottom light switch controls the icemaker. When the light switch is on the icemaker stops functioning. If the drawer is left open, the icemaker will not make ice.

#### General Operation Notes:

This unit is operated with a two part electronic control assembly. The main board is located in the base of the unit behind the grille and the display board is located in the upper drawer.

The setpoint button allows the consumer to set a refrigerator temperature. The preset temperature is 38°F. Based on the design of the mullion and chimney, there is approximately a 38°F difference between freezer and refrigerator. While the consumer sets the refrigerator temperature the cooling system is actually controlled by the freezer temperature. When a consumer inputs 38 for the refrigerator, the board subtracts 38 and cools the freezer to 0°F. Use these numbers as reference, but they could be 40°F and 2°F, or 36°F and -2°F, and so on. The freezer temperature will be maintained at 0°F with a differential of 2°F. In the event that the refrigerator is warmer than 38°F, but the freezer is 0°F or below, the cooling system will continue to run to allow the refrigerator to cool to its setpoint. This prevents spoilage of food in the refrigerator. During this time, the freezer may be driven to a lower temperature which will not cause any problems. In the event the refrigerator gets to 32°F it will again override the freezer and cause the cooling system to shut off until the temperature rises above 32°F. This prevents accidental freezing of product in the refrigerator.

The ice maker setpoint can be reached by holding the “SET TEMP” button down for about 10 seconds. At first SP1 will be displayed followed by SP2. Release the “SET TEMP” button and 15 should appear. This is the default ice maker setpoint. Changing this temperature will increase or decrease production. To increase production raise the setpoint no more than 2°F in 24 hours. Press “SET TEMP” three more times to exit this menu.

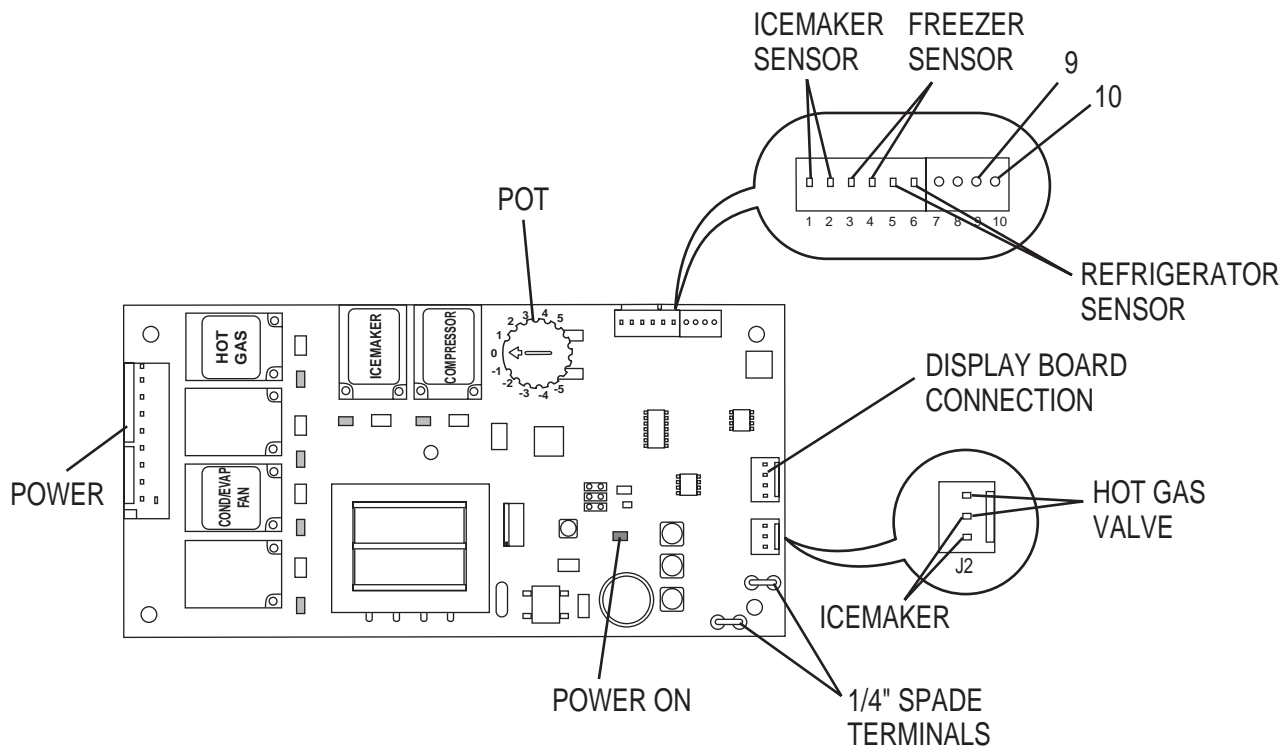
The circuit board has a timing circuit which maintains a minimum compressor off cycle of four minutes. If the compressor shuts off, no matter what temperature the cabinet rises to, the compressor will remain off for four minutes to prevent compressor damage.

There is a 30 minute hot gas defrost cycle every 12 hours of clock time. The defrost cycle is automatically operated by the circuit board. Interrupting power to the unit will reset the clock.



When checking the thermistors to see if they are reading accurately, it is common to place them in an icebath to see if they read 32°F. Do not place them directly in the water. **Use a plastic bag to protect them from moisture.** The freezer and ice maker should read 32°F in icewater, however the refrigerator thermistor should read 36°F. There is a built-in 4°F offset in this reading due to its location in the cabinet. This sensor is located outside the refrigerator drawer, which is approximately 4°F colder than the inside of the drawer.

To check the actual temperatures via the display, touch and release the warmer button to view the refrigerator temperature. Hold the colder button, while LED 1 is lit, the freezer temperature will be displayed. Continue holding the colder button, and the display will cycle from freezer to ice maker until the button is released.



CLRC0035B

This unit can be put into a diagnostic mode.

1. Unplug unit
2. Install jumper on pins 9 and 10 on board.
3. Plug unit back in.

Based on the information listed below, you can turn on and off each relay individually.

Control pot at 0 – CONDENSER/EVAPORATOR FANS

Jumper on 1/4" spade terminals – COMPRESSOR

Jump pins on J2 – HOT GAS VALVE

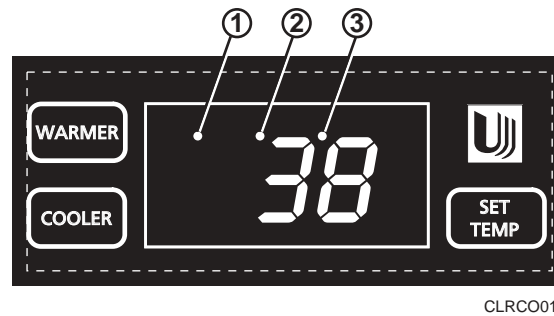
Jump pins on J2 – ICEMAKER

**Example (force a defrost cycle):**

Set control pot to 0, Jump pins on J2 for hot gas valve and install jumper on 1/4" spade terminals.



## THE ELECTRONIC TEMPERATURE CONTROLLER



The temperature controller is located in the top drawer. It consists of an LED display, two LED status indicator lights and three touch pad buttons. The LED display shows the compartment temperature set point and is calibrated in degrees Fahrenheit. The controller is factory programmed for a set point of 38°F for the top drawer which will show when the unit is first powered up. The factory set point for the ice compartment is 0°F.

To display the actual refrigerator compartment temperature, press the “WARMER” button momentarily. A solid status indicator light (LED 1) will show the air temperature reading in the refrigerator drawer for approximately 10 seconds.

To adjust the temperature set point, press the “SET TEMP” button momentarily; the display will flash. Press the “WARMER” or “COOLER” button as desired to change the set point. When the desired set point shows on the display, you can press the “SET TEMP” again or wait 10 seconds and the new set point will be saved and the display will stop flashing. Wait 24 hours for the temperature to stabilize before checking the actual temperature again. The compartment temperature range is 34°F to 45°F.

To check the actual temperatures via the display, touch and release the warmer button to view the refrigerator (LED 1) temperature. Hold the colder button, while LED 1 is lit, the freezer (LED 2) temperature will be displayed.

Continue holding the colder button, and the icemaker (LED 3) temperature will be displayed. If you continue to hold the colder button, the display will cycle from freezer temperature to ice maker temperature until the button is released.

### Indicator light status

LED	Status	Indicates
1	<ul style="list-style-type: none"> <li>• Solid</li> <li>• Flashing</li> </ul>	<ul style="list-style-type: none"> <li>• Compartment temperature displayed</li> <li>• Not Applicable</li> </ul>
2	<ul style="list-style-type: none"> <li>• Solid</li> <li>• Flashing</li> </ul>	<ul style="list-style-type: none"> <li>• Freezer Temperature displayed</li> <li>• Open Thermistor – call for service</li> </ul>
3	<ul style="list-style-type: none"> <li>• Solid</li> </ul>	<ul style="list-style-type: none"> <li>• Icemaker temperature displayed</li> </ul>

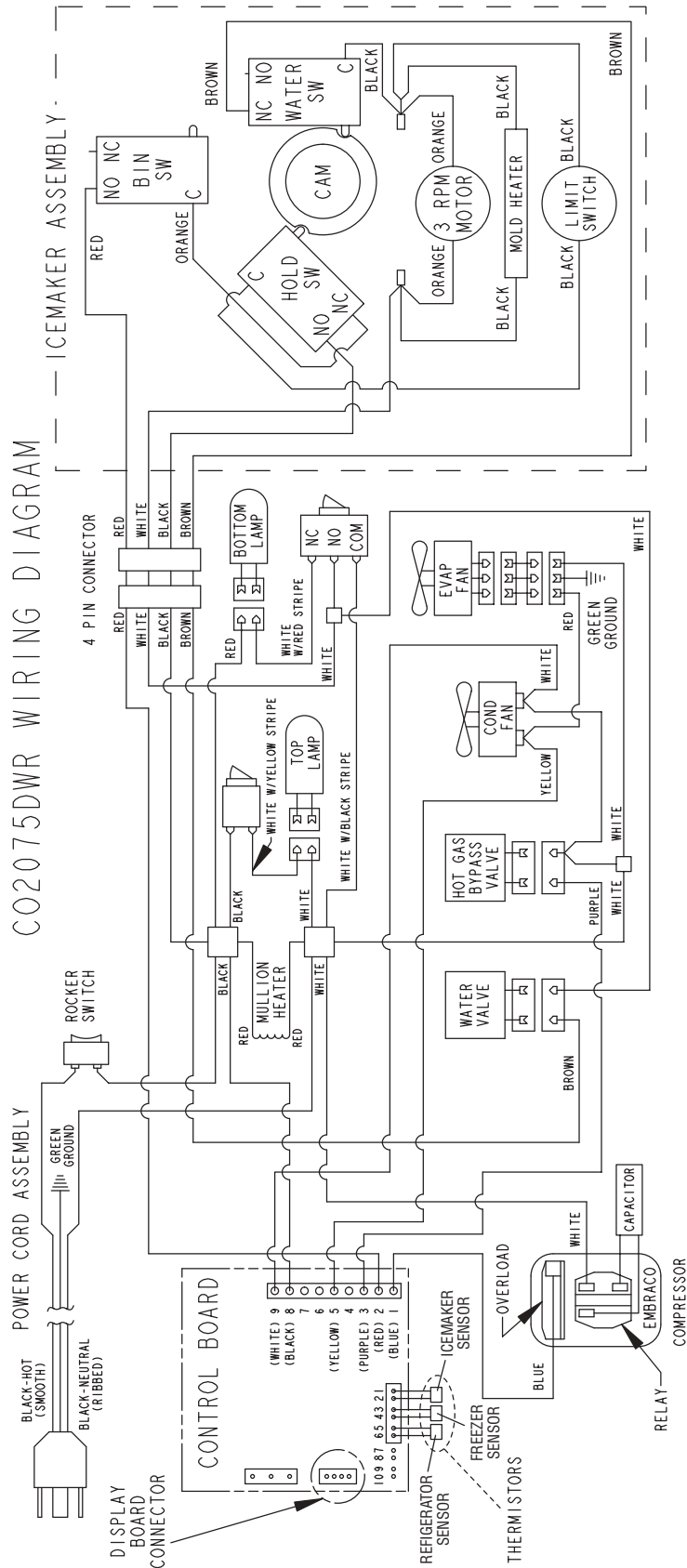


# REFRIGERATION SYSTEM DIAGNOSIS GUIDE

System Condition	Suction Pressure	Suction Line	Compressor Discharge	Condenser	Capillary Tube	Evaporator	Wattage
<b>Normal</b>	Normal	Slightly below room temperature	Very hot	Very hot	Warm	Cold	Normal
<b>Overcharge</b>	Higher than normal	Very cold may frost heavily	Slightly warm to hot	Hot to warm	Cool	Cold	Higher than normal
<b>Undercharge</b>	Lower than normal	Warm - near room temperature	Hot	Warm	Warm	Extremely cold near inlet - outlet below room temperature	Lower than normal
<b>Partial Restriction</b>	Somewhat lower than normal-in vacuum	Warm - near room temperature	Very hot	Top passes warm - lower passes cool (near room temperature) due to liquid	Room temperature (cool) or colder	Extremely cold near inlet - outlet below room temperature backing up	Lower than normal
<b>Complete Restriction</b>	In deep vacuum	Room temperature (cool)	Room temperature (cool)	Room temperature (cool)	Room temperature (cool)	No refrigeration	Lower than normal
<b>No Gas</b>	0 PSIG to 25"	Room temperature (cool)	Cool to hot	Room temperature (cool)	Room temperature (cool)	No refrigeration	Lower than normal



# CO2075DWR WIRING DIAGRAM



DWR036



## TROUBLESHOOTING

**DANGER**

DO NOT service the unit until the main electrical power has been disconnected.

Before servicing this unit, take readings from the electronic control (refer to The Electronic Temperature Control for checking actual temperatures if needed). These actual readings are important to take before having the drawers open for more than 30 seconds to obtain accurate readings.

Refrigerator temperature: \_\_\_\_\_

This temperature should be approximately 38°F. Slight fluctuations are common during normal operation.

Freezer temperature: \_\_\_\_\_

This temperature should be approximately 0°F. If this temperature is between -10°F and +5°F, this should be considered normal. The temperature can fluctuate in order to maintain an optimum refrigerator temperature.

Ice maker temperature: \_\_\_\_\_

The ice maker will harvest when this temperature reaches 15°F. Temperatures may rise to 50°F during an ice harvest and drop -10°F during ice storage mode.

If there is a dot illuminated above the temperature display, there has been a problem with the thermistor. If you can read the actual temperatures then the problem has been corrected. If you were unable to read the temperatures or if you read 159, then the thermistor is not working and the circuit board and thermistors must be changed. The thermistor harness is matched to the circuit board and these must be changed as an assembly.

### 1. Not making ice

- If temperature reading was above 15°F, the unit will not make ice. Possible causes for this could be a leak in the system or the drawer left open.
- If temperature reading is below 15°F, the unit should produce ice. If there is no ice in the mold, check the water fill and water connection. If there is ice in the mold and it did not harvest, close the freezer drawer, unplug the unit and plug it back in. If the temperature is still below 15°F, the unit should harvest (drawer must be closed). If the freezer drawer opening caused the ice maker temperature to go above 15°F, wait until it goes below 15°F.

To harvest ice, the bin arm must be in the down position and the drawer must be closed to engage the ice maker/light switch, mounted in the liner. When the ice maker reaches 15°F, the circuit board will close a relay for 30 seconds, energizing the ice maker. When the ice maker rotates to approximately the 2 o'clock position, it will continue the cycle under its own power and break the circuit to the control board.

If the ice maker does not harvest after unplugging the unit and plugging it back in, try again and watch the circuit board to verify the relay energizes by checking the green LED on the board (on this model you can also accomplish this by using the ON/OFF switch). If the ice maker does not harvest, but the LED illuminates, check the bin arm circuit and the ice/light switch circuits.

- The ice maker relay will only energize a maximum of one time every 75 minutes of operation, even if the temperature is below the 15°F harvest temperature. To harvest ice you must unplug the unit and plug it back in (can use the ON/OFF switch) so that the timer on the circuit board is reset. The timing circuit ensures that proper cubes are formed before allowing the ice harvest.





## 2. Some cooling

- Clean condenser.
- Check condenser fan.
- Possible system leak.

## 3. No cooling

- Check compressor/fan operation
- Check refrigeration system pressure
- Check wiring and power at circuit board

## 4. Noise

- This is a frost free unit with two fans, compressor, and two solenoid valves. Some noise is normal such as a hum from the fans/compressor. Also, during an ice harvest it is normal to hear water filling the mold and cubes dropping in the bucket.

## 5. Condensation on mullion

- The mullion has a heater behind it. The heater is always energized and should keep the mullion free of frost and sweat. In extremely humid conditions some sweat may appear on the mullion or lower drawer handle/gasket.

## 6. Excessive frost

- Frost may be visible through the evaporator cover slots.
- Any buildup on the bottom of the liner could be caused by failure to clean up spilled ice cubes.
- If evaporator is not defrosting, the board can be manually entered into a defrost cycle using the diagnostic feature.
- If evaporator or drain pan does not clear during a defrost, check the bypass valve coil for continuity.
- Drawers not closing properly.

## 7. Display not operational

- Check four conductor wires from main board to display board. The display board should have red light and flashing green light on the rear of the board. If these lights are not lit, the wire is not connecting to the main board.

## 8. Dot flashing on display

- If a thermistor goes out of range it will illuminate a dot on the display board. This dot will remain lit even if the thermistor goes back into range. It can be cleared by switching the unit off and back on.

## 9. Drawers will not close properly

- The drawer slides contain a self-closing feature which engages when the drawer is about 1 inch from being closed. At the point the closers engage, there may be some resistance. If this resistance is hard to overcome, try closing the drawers with more force a couple times. If, during shipment, the unit has been mishandled, the drawer slide closers may become disengaged. Reset by closing the drawers with more force than normal.

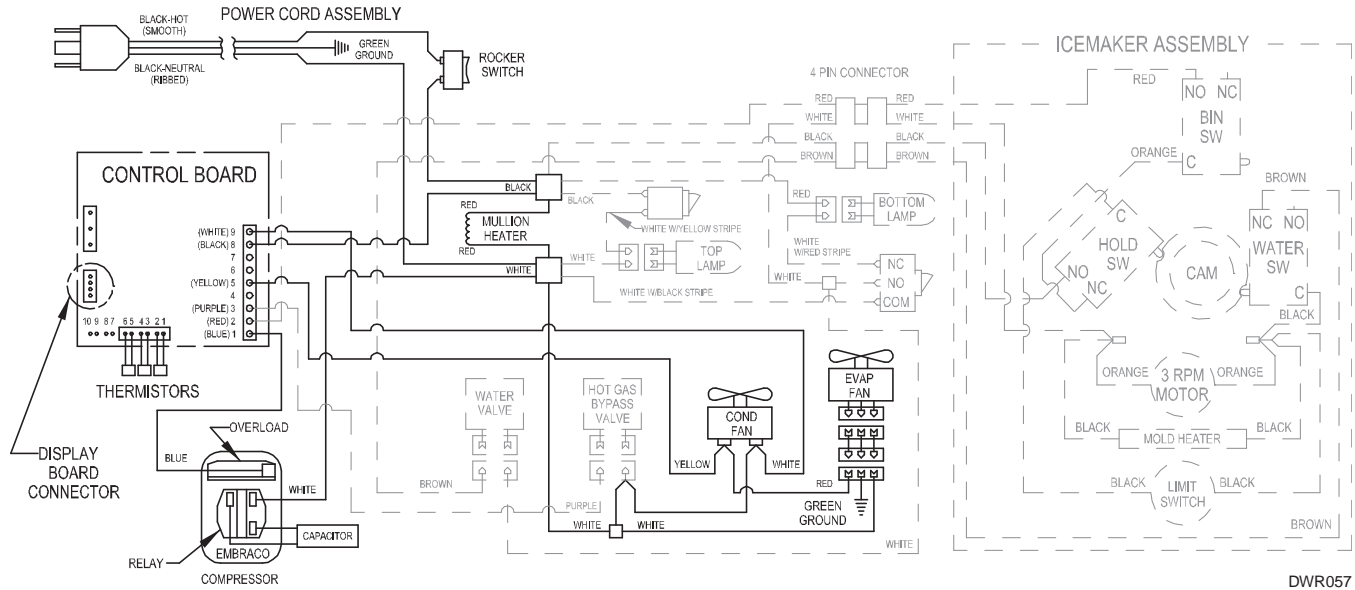
## 10. Evaporator fan not operational

- Ensure fan is not restricted.



# Ice maker Operation

## FREEZE CYCLE



DWR057

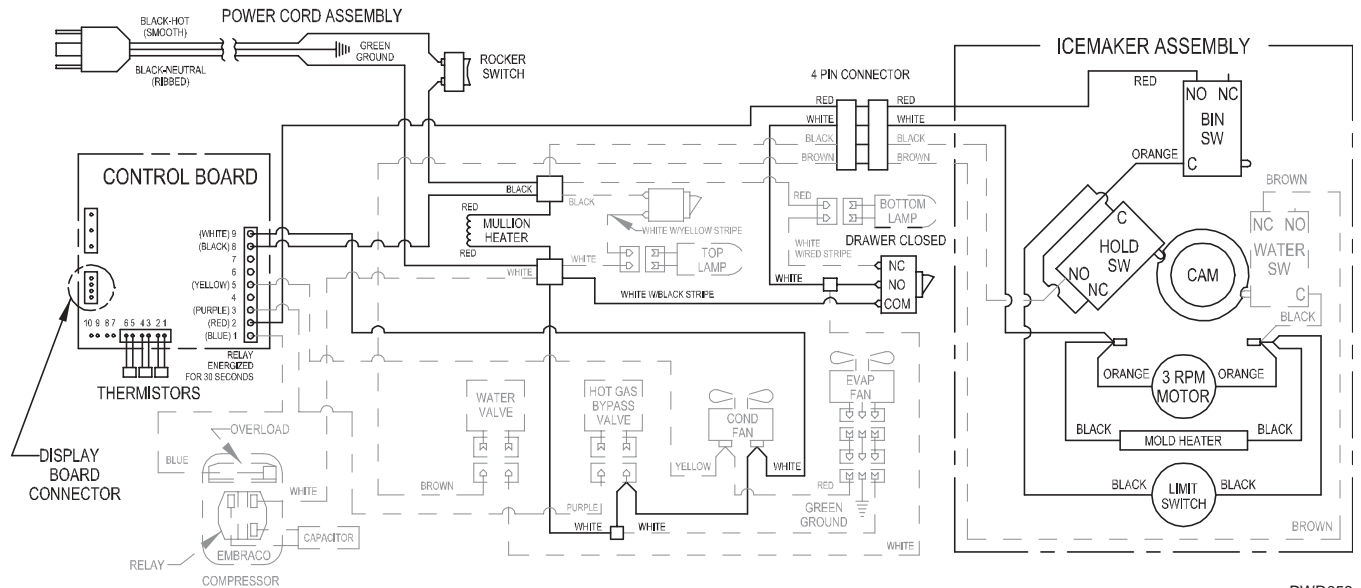
### 1. Freeze cycle

- Ice maker relay is not energized.
- Unit is cooling ice maker down to the 15°F setpoint.
- The unit may cycle on and off as it is pulling ice maker to setpoint in order to maintain ideal refrigerator and freezer temperatures.
- The minimum ice making cycle time as permitted by the timing circuit in the circuit board is 75 minutes.



## 2. Harvest cycle 1

HARVEST-1 CYCLE  
(Hold Switch In Normal Position)  
(Compressor Can Be On Or Off)



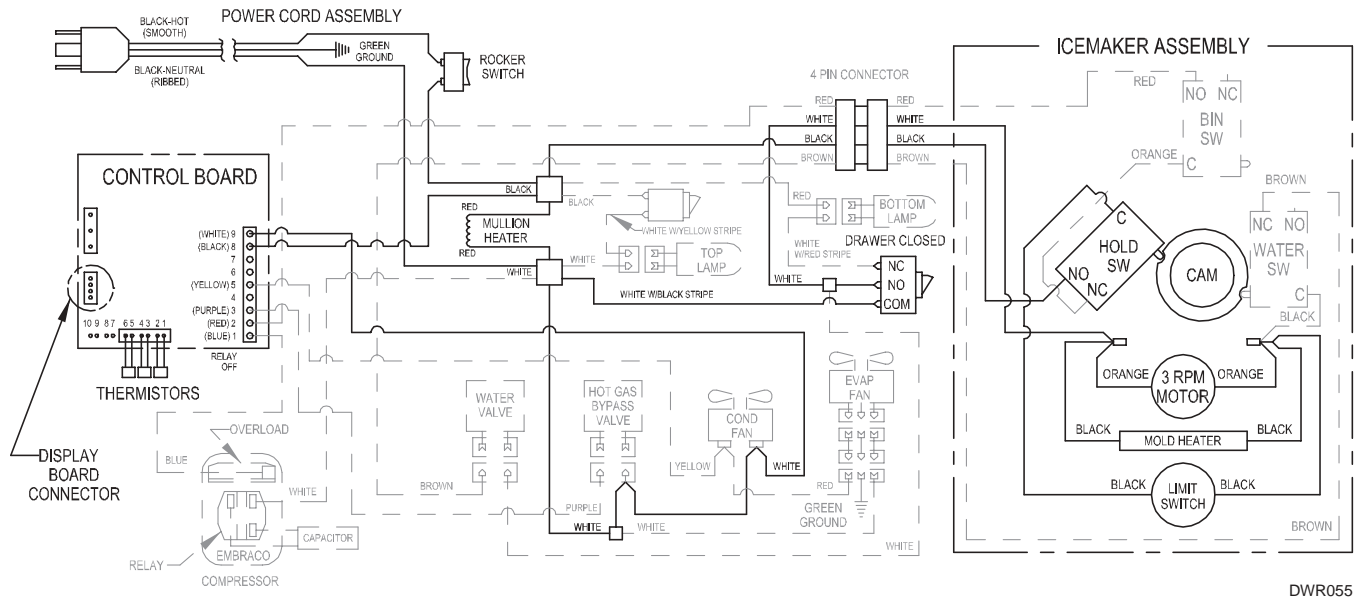
DWR058

- Ice maker relay on circuit board energizes for 30 seconds. This allows power to the ice maker to allow the blades rotate.
- Refrigeration system is independent of the ice maker.
- The bin arm must be in the fully lowered position and the drawer must be closed, to initiate this cycle. The drawer switch must be depressed for the ice maker to cycle.



3. Harvest cycle 2

HARVEST-2 CYCLE  
 (Hold Switch In Switched Position)  
 (Compressor Can Be On Or Off)



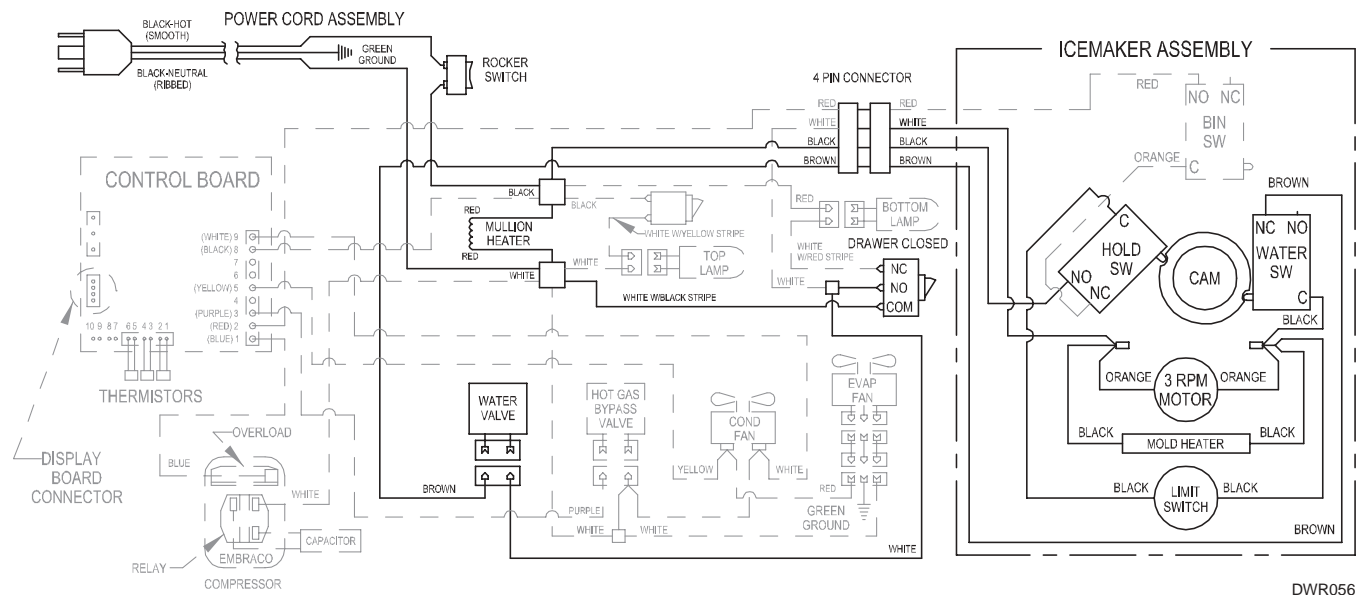
DWR055

- The drawer switch must remain depressed for this cycle to continue.
- The ice maker relay is now de-energized
- This cycle initiates when the blades move to approximately the 2 o'clock position.
- Ejector blades stall on the ice and pulse until the mold heater warms the mold and releases the ice.
- This cycle may last a couple minutes.



## 4. Water fill cycle

### WATER FILL CYCLE



DWR056

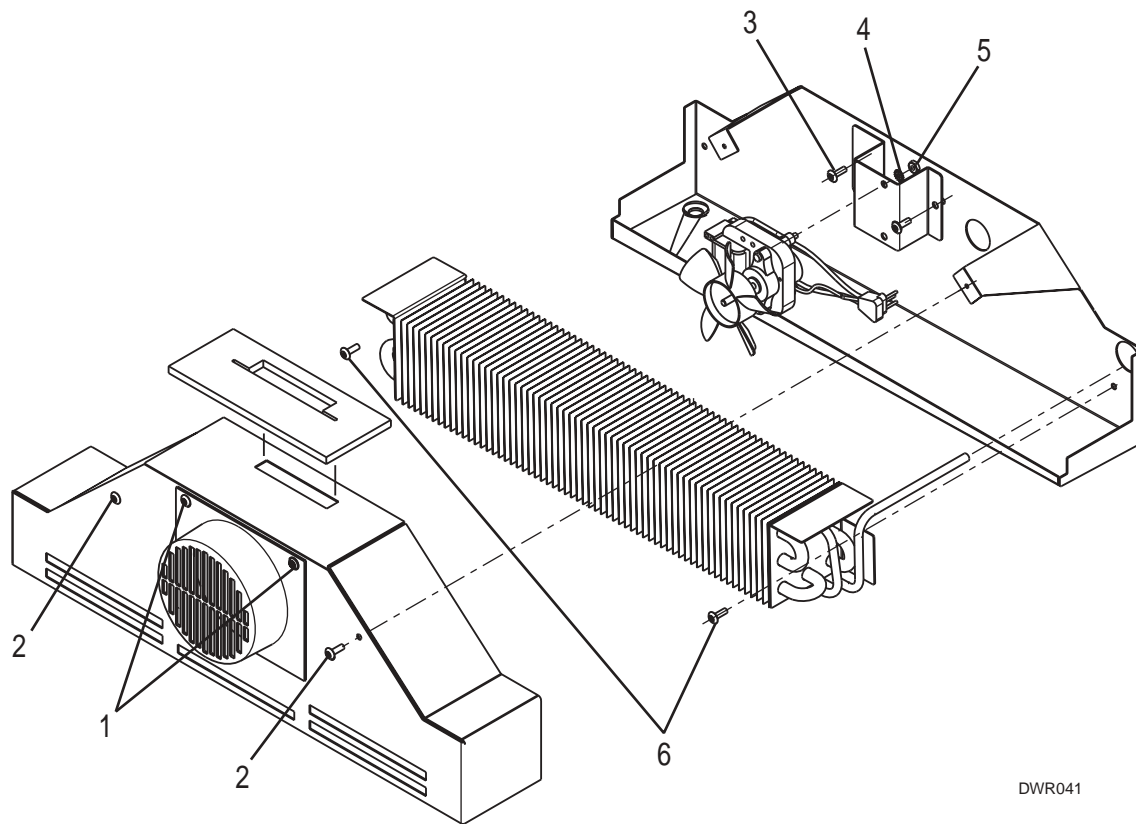
- This cycle initiates when the blades move to approximately the 10 o'clock position.
- At this point the ice has moved out of the mold and is dropping into the bucket.
- The ice maker switch is depressed for about seven seconds while the mold fills with water. The water fill is approximately 120 ml.
- At the end of the fill cycle, the blades stop at the 12 o'clock position and wait for another harvest cycle to begin.

## 5. Storage mode

- The bin arm is in the up position, either held by ice in the bin or manually raised.
- The unit will be cycling the compressor on and off in this mode.

The ice maker relay will energize when the ice maker reaches 15°F, but with the bin arm in the raised position, it will not start an ice making cycle.





DWR041

## DISASSEMBLY PROCEDURES

**Note:** *Échelon* models do not require removal of the ice maker or freezer housing to access the fan motor, drain or evaporator.

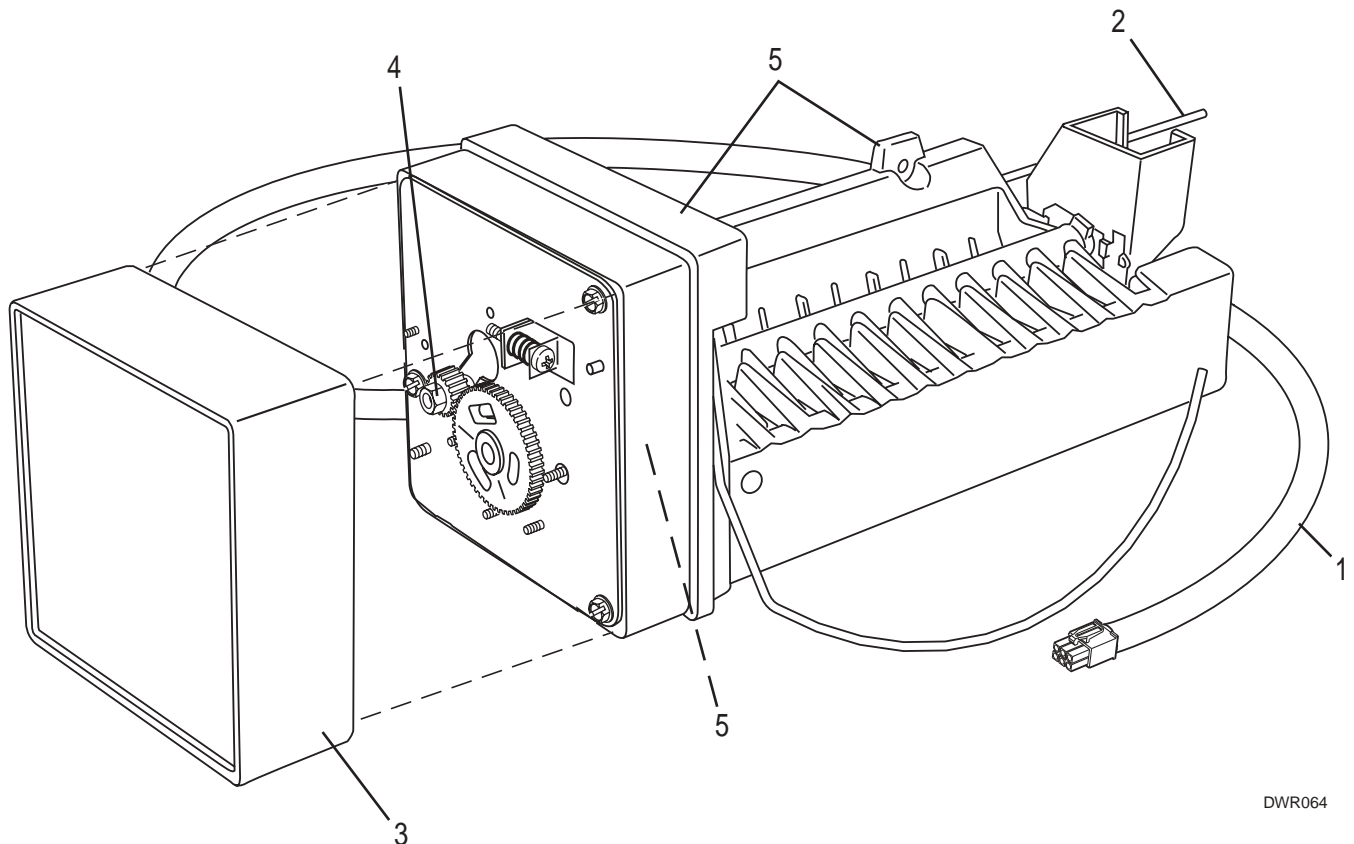
### To replace evaporator fan motor:

1. Disconnect unit from power source.
2. Remove two screws (1) holding evaporator fan cover to evaporator cover.
3. Unplug fan connection.
4. Remove two nuts (4) and two washers (5) holding the fan to the fan bracket.
5. Replace with new fan.
6. Plug-in the fan connection **making sure the fan wires are tucked behind the fan bracket.**
7. Re-install evaporator cover.
8. Re-install unit and test.

### To access evaporator and drain pan:

1. Disconnect unit from power source.
2. Remove two screws (2) holding evaporator cover to drain pan.
3. Remove two screws (6) holding evaporator to drain pan.
4. Remove two screws (3) holding fan bracket to drain pan.
5. Unplug fan connection.
6. Re-install parts in reverse order.
7. Re-install unit and test.

## REPLACING ICE MAKER ASSEMBLY



DWR064

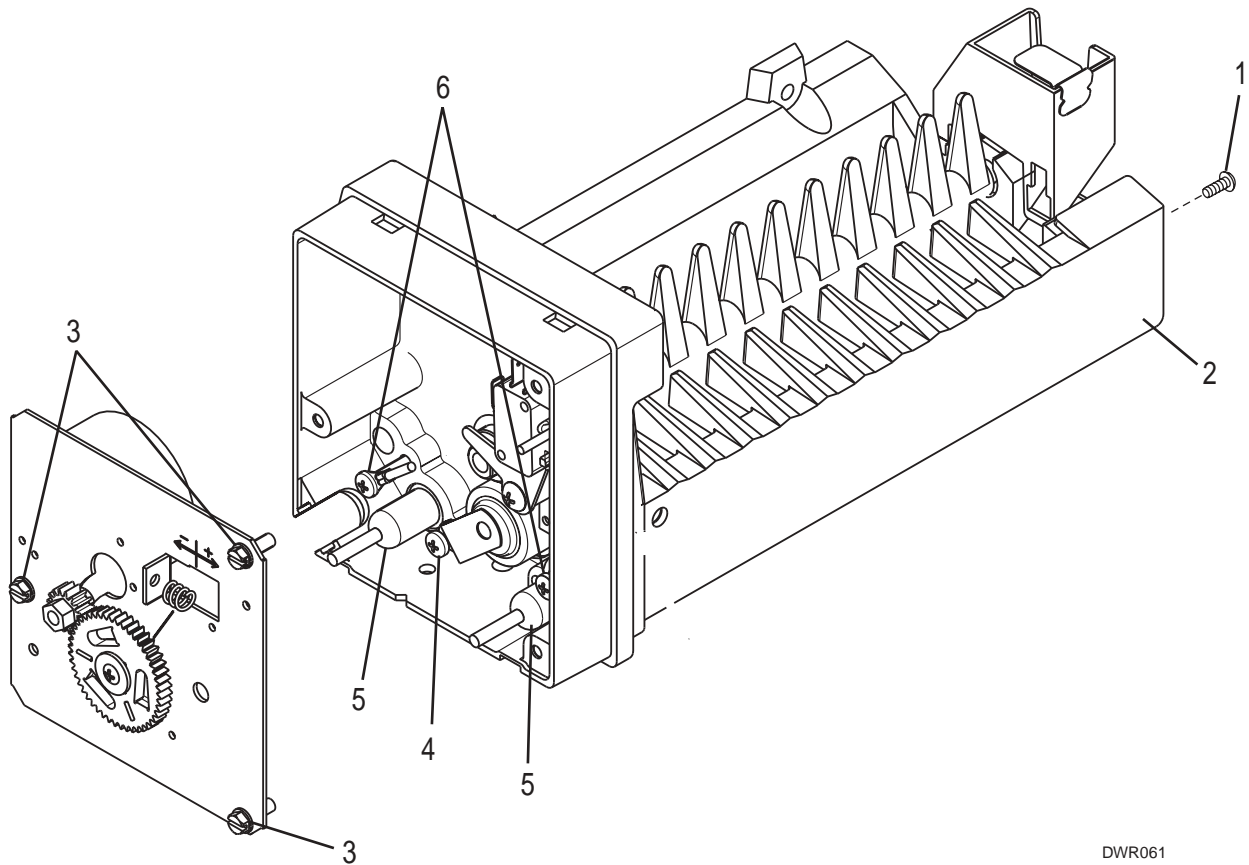
1. Remove unit from installation.
2. Disconnect water and unplug unit.
3. Disconnect ice maker wire harness at plug in back of unit (1).
4. Remove thermistor from the sensing tube on ice maker assembly (2).
5. Remove water inlet tube.
6. Remove front cover (3).
7. Advance ejector blade to the 3 o'clock position by turning the 5/16" hex head on the small brass gear counterclockwise (4).
8. Remove two screws from icemaker bracket (5).
9. Remove ice maker assembly.
10. Install new ice maker assembly.
11. Reconnect plug.
12. Insert thermistor ice maker sensing tube.
13. Insert water inlet tube.
14. Apply Permagum® to all exit holes.
15. Install back panel.
16. Plug in unit and test.







## REPLACING MOLD AND HEATER

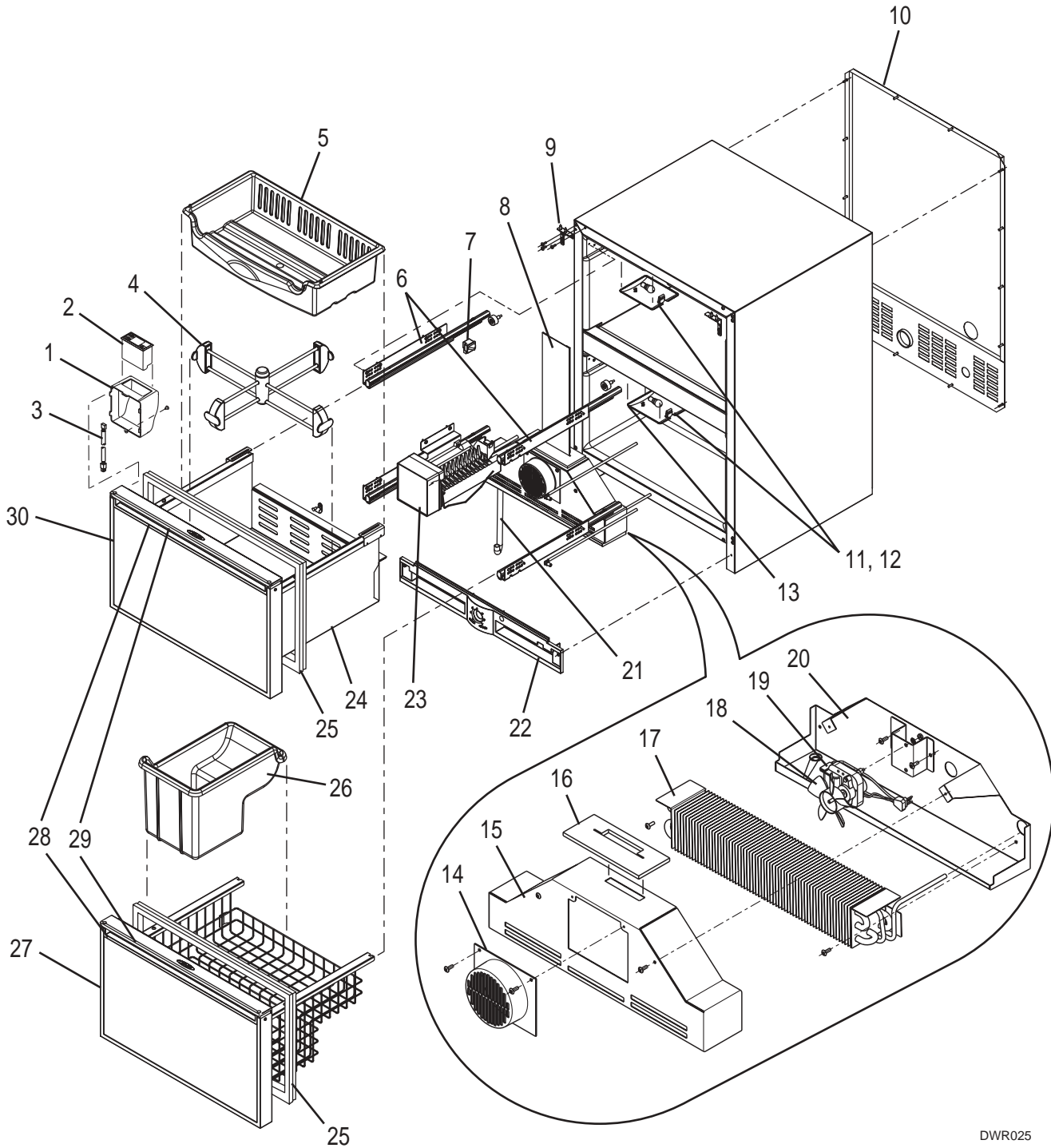


DWR061

1. Remove ice maker assembly. Refer to REPLACING ICE MAKER ASSEMBLY.
2. Remove one stripper screw (1) and stripper (2).
3. Remove three face plate screws (3) and face plate.
4. Remove one screw (4) and detach limit switch from mold.
5. Detach heater leads (5).
6. Remove two screws (6) and mold from support housing.
7. To assemble, replace parts in reverse order.
8. Install the ice maker assembly.



## CO2075DWR (1 OF 3)



DWR025

## CO2075DWR (1 OF 3)

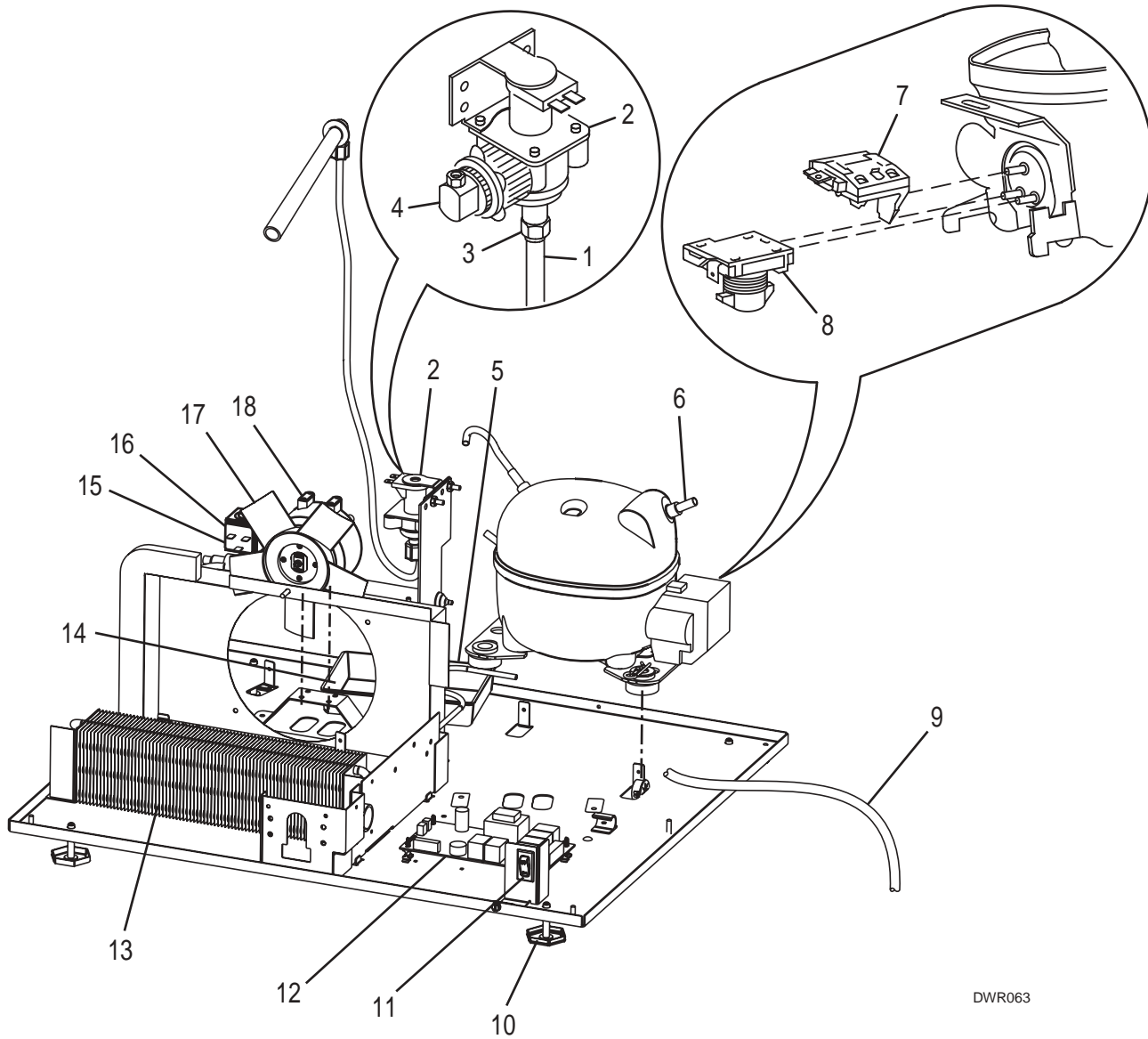
Item	Description	Black	Stainless Steel
1	Control Housing	26006	26006
2	Display Board Assembly	68024	68024
3	Control Harness	68025	68025
4	Organizer Assembly	80-48001-00	80-48001-00
5	Top Bin	26000	26000
6	Drawer Slides	80-47002-00	80-47002-00
7	Light Switch Top Drawer	42179	42179
8	Chimney	28002	28002
9	Anti-Tip Components	80-16005-01	80-16005-02
10	Back Panel	11969	11969
11	Light Cover	11859	11859
12	Light Bulb	31317	31317
13	Light Switch Bottom Drawer	66003	66003
14	Evaporator Fan Cover	11952	11952
15	Evaporator Cover	14039	14039
16	Insulator Chimney Panel	35005	35005
17	Evaporator Assembly	74002-S	74002-S
18	Evaporator Fan Blade	31656	31656
19	Evaporator Fan	5434	5434
20	Drain Pan Assembly	14038	14038
21	Drain Tube	31726	31726
22	Grille	11902-BLK-01	11902-BLK-01
23	Ice Maker Assembly	80-39007-00	80-39007-00
24	Top Drawer (No Door)	14007-S	14007-S
25	Door Gasket	12094-07-BLK	12094-07-GRY
26	Ice Bucket	26014	26014
27	Bottom Drawer with Drawer Front	80-17043-01	80-17043-03
28	Door Handle Bottom	11927-4-BLK	11927-4-BLK
29	Door Handle Top, Modified	11926-7-BLK	N/A
30	Door Front Assembly	2075DRW-FRNTBLK	2075DRW-FRNTSS

## Parts Not Shown

Item	Description	Black	Stainless Steel
	Full Door Handle	11926-4-BLK	N/A



## CO2075DWR (2 OF 3)



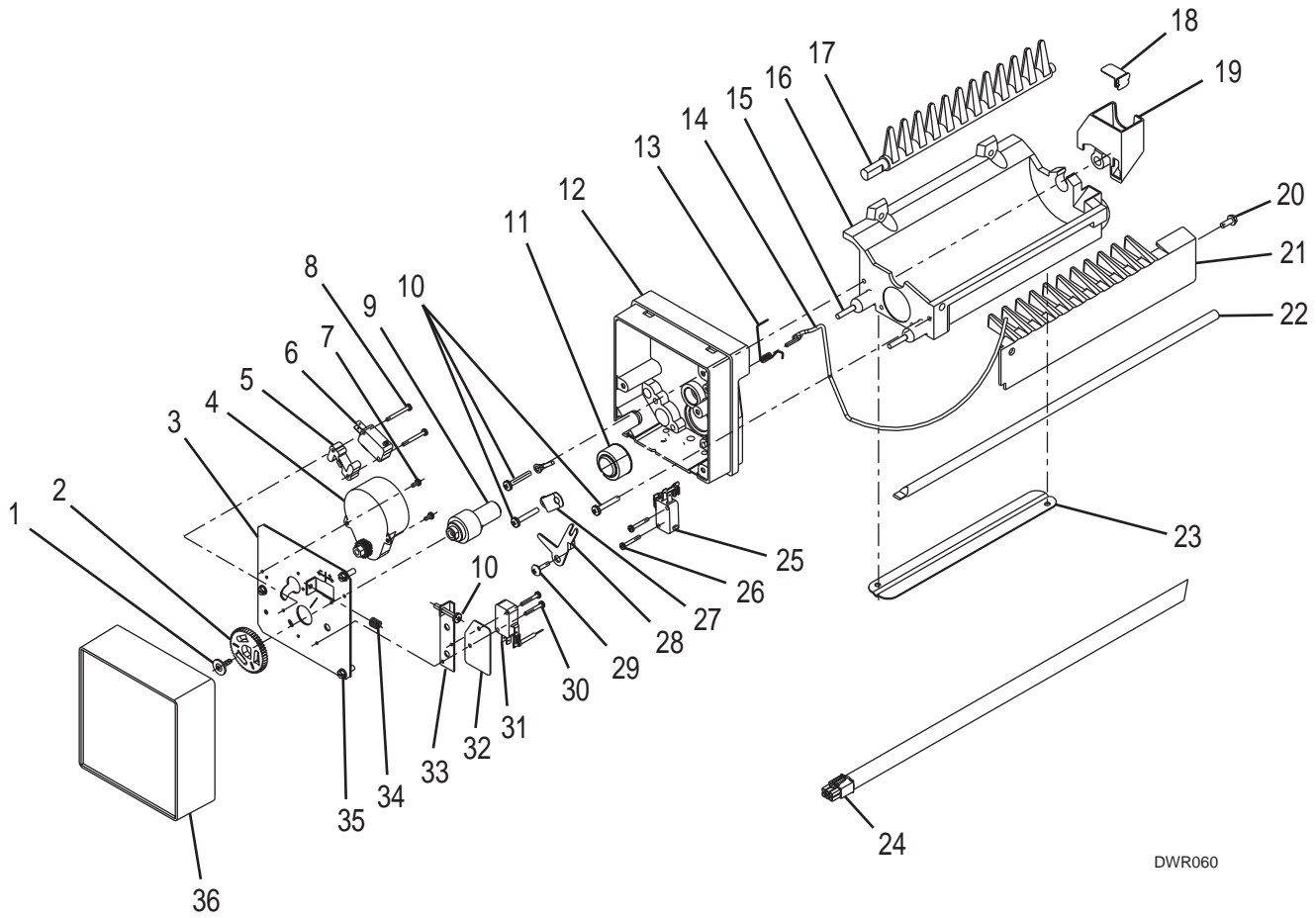
DWR063

**CO2075DWR (2 OF 3)**

<b>Item</b>	<b>Description</b>	<b>Black</b>	<b>Stainless Steel</b>
1	Water Line Assembly	404-CO2075DWR	404-CO2075DWR
2	Water Valve	2552A	2552A
3	Plastic Nut & Sleeve	41254	41254
4	Brass Fitting	41826	41826
5	Drier	72018	72018
6	Compressor Assembly	70079-FFS	70079-FFS
7	Overload	71025	71025
8	Relay	71026	71026
9	Power Cord	2915	2915
10	Leg Levelers	41319	41319
11	Rocker Switch	2053	2053
12	Control Board Assembly	68023-S	68023-S
13	Condenser	2303-FFS	2303-FFS
14	Drain Pan	31550-1-F	31550-1-F
15	Hot Gas Bypass Assembly	73002-FFS	73002-FFS
16	Bypass Solenoid Coil Only	73002-1	73002-1
17	Fan Blade	5428	5428
18	Fan Motor	5300	5300



## CO2075DWR (3 OF 3)



DWR060



## CO2075DWR (3 OF 3)

**Note:** *This ice maker is used only on CO2075DWR.*

**CAUTION**

Use only genuine U-Line replacement parts. U-Line ice maker parts are not the same as standard FSP Whirlpool parts. Using non-U-Line parts can reduce ice rate, cause water to overflow from ice maker mold, damage the unit, and may void the warranty.

Item	Description	Part No.
	Ice Maker Assembly	80-39007-00
	Faceplate Assembly	150-DWRCO
1	Gear Screw	488957*
2	Gear	628210*
3	Face Plate	11641*
4	Motor	627973*
5	Switch Spacer	625834*
6	Hold Switch	2506*
7	Motor Screw	488622*
8	Long SW Screw	488361*
9	Cam	627302*
10	Spring & Housing Screw	488372*
11	Limit Switch	2917
12	Support Housing	625827
13	Bin Arm Spring	627526
14	Bin Arm	18031
15	Mold Heater	625843
16	Mold & Heater Assembly	628123-DWRCO
17	Ejector	627375

Item	Description	Part No.
18	Waterline Clip	652604
19	Water Cup	544304
20	Stripper Screw	489128
21	Stripper	31400
22	Sensor Tube	23008
23	Sensor Tube Retainer	14064
24	Wire Harness	2918
25	Bin Switch	2506
26	Bin SW Screw	488360
27	Clamp	625829
28	Arm Lever	625830
29	Arm Lever Screw	627199
30	Short SW Screw	488362*
31	Valve Switch	2506*
32	Insulator	627680*
33	Valve Switch Plate	625836*
34	Spring	627163*
35	Plate Screw	41375
36	Cover	627000

\* Parts included in the 150-DWRCO Faceplate assembly

U-Line will **not** pay warranty claims for the replacement of a complete ice maker assembly. Complete ice maker assembly replacement is not necessary because all ice maker parts are available as replacement parts and are stocked in our inventory.



# NOTES

---

---

---

---

---

---

---

---

---

---

---

---

---

---

---

---

---

---

---

---

---

---

---

---

---

---

---

---

---

---





## NOTES

---

---

---

---

---

---

---

---

---

---

---

---

---

---

---

---

---

---

---

---

---

---

---

---







**U-LINE**  
CORPORATION

FAX PARTS ORDER FORM  
FAX # 414-354-7905

Account# \_\_\_\_\_ Ship to: \_\_\_\_\_  
 Bill to: \_\_\_\_\_  
 \_\_\_\_\_  
 \_\_\_\_\_ Attention: \_\_\_\_\_  
 Date: \_\_\_\_\_ P.O. \_\_\_\_\_  
 Phone# \_\_\_\_\_ Fax# \_\_\_\_\_

PART#	COLOR	QTY	DESCRIPTION	MODEL	SERIAL NUMBER	UNIT IN WARRANTY?

**SPECIAL INSTRUCTIONS:**

All part shipments will be sent ground delivery.  
We have air shipment available at an additional cost to you.

**Next Day Air      2nd Day Air      3 Day Select**

If you do not have an open account with us your order will be shipped C.O.D.

**COMMENTS:** \_\_\_\_\_

\_\_\_\_\_

**Authorized By** \_\_\_\_\_





P.O. Box 245040  
Milwaukee, WI 53224-9540  
Phone 414.354.0300  
FAX 414.354.7905

## Free Manuals Download Website

<http://myh66.com>

<http://usermanuals.us>

<http://www.somanuals.com>

<http://www.4manuals.cc>

<http://www.manual-lib.com>

<http://www.404manual.com>

<http://www.luxmanual.com>

<http://aubethermostatmanual.com>

Golf course search by state

<http://golfingnear.com>

Email search by domain

<http://emailbydomain.com>

Auto manuals search

<http://auto.somanuals.com>

TV manuals search

<http://tv.somanuals.com>